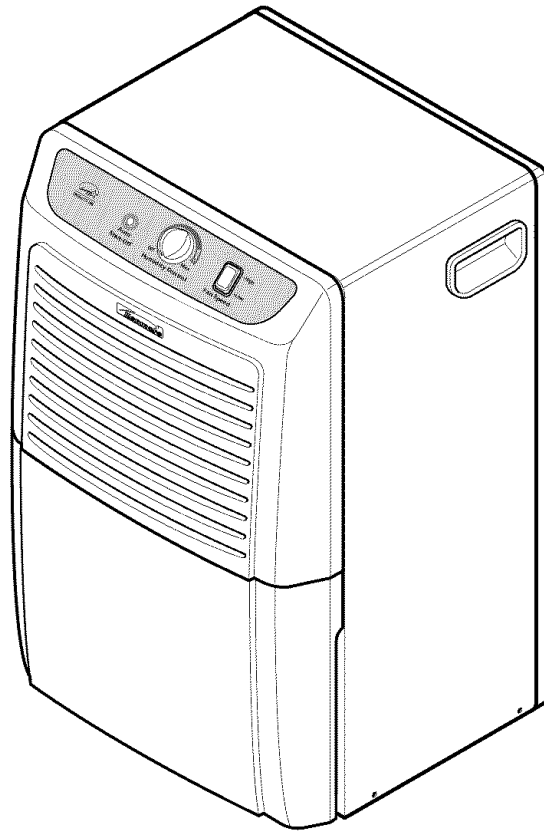


Owner's Manual  
Manuel del Propietario



# DEHUMIDIFIER DESHUMIDIFICADOR

Model, Modelo 580.54351 35 Pint



ENGLISH

ESPAÑOL

Sears, Roebuck and Co., Hoffman Estates, IL 60179 U.S.A.  
[www.sears.com](http://www.sears.com)

# TABLE OF CONTENTS

TABLE OF CONTENTS .....	2	OPTIONS FOR DISPOSING OF COLLECTED WATER .....	8
WARRANTY .....	2	MAINTENANCE .....	9
SAFETY INSTRUCTIONS .....	3	Grille and case .....	9
ELECTRICAL REQUIREMENTS .....	4	Air filter .....	9
INSTALLING YOUR DEHUMIDIFIER .....	5	Cleaning inside the unit .....	9
Defrost Control Function .....	5	General cleaning .....	9
CHOOSING THE PROPER LOCATION .....	5	Water bucket cleaning .....	9
AUTOMATIC SHUT OFF .....	5	TROUBLESHOOTING .....	10
OPERATION .....	6	ESPAÑOL .....	11
Features .....	6	MASTER PROTECTION AGREEMENTS ...	23
Control Panel .....	7	SERVICE NUMBERS .....	Back cover

## WARRANTY

### FULL ONE YEAR WARRANTY ON DEHUMIDIFIER

For one year from the date of purchase, if the Dehumidifier is operated and maintained according to the owner's instructions furnished with the product, Sears will repair the Dehumidifier free of charge, if defective in materials or workmanship.

### FULL FIVE YEAR WARRANTY ON SEALED REFRIGERATION SYSTEM

For five years from the date of purchase, when this Dehumidifier is operated and maintained according to owner's instructions furnished with the product, Sears will repair the sealed refrigeration system (consisting of refrigerant, connecting tubing, and compressor motor) free of charge, if defective in material or workmanship.

**WARRANTY SERVICE IS AVAILABLE BY RETURNING UNIT TO THE NEAREST SEARS SERVICE CENTER IN THE UNITED STATES. CALL 1-800-4-MY-HOME® FOR NEAREST SERVICE CENTER TO YOU.**

This warranty applies only while this Dehumidifier is used in the United States.

This warranty gives you specific legal rights, and you may also have other rights which vary from state to state.

**Sears, Roebuck and Co., D/817WA, Hoffman Estates, IL 60179 U.S.A.**

# SAFETY INSTRUCTIONS

## IMPORTANT SAFETY INSTRUCTIONS

To reduce the risk of fire, electric shock or injury when using your dehumidifier, the following safety precautions must be followed:

- **Do not place the power cord near a heater.**  
It may cause fire and electric shock.
- **Do not use the power cord near flammable gas or combustibles such as gasoline, benzene, thinner, etc.**  
It may cause explosion or fire.
- **Do not disassemble or modify products.**  
It may cause electric shock and failure.
- **Plug in the power cord properly.**  
Otherwise, it may cause electric shock or fire.
- **Do not operate or stop the unit by inserting or pulling out the power plug.**  
It may cause electric shock or fire.
- **Do not damage the power cord or use an unspecified power cord.**  
It may cause electric shock or fire.
- **Do not modify power cord length.**  
It may cause electric shock or fire.
- **Do not share the outlet with other appliances.**  
It may cause electric shock or fire.
- **Always plug into a grounded outlet.**  
Not grounding unit may cause electric shock.
- **Unplug the unit if strange sounds, odors, or smoke come from it.**  
Unplugging the unit may avoid electric shock or fire hazard.
- **Do not use the socket if it is loose or damaged.**  
It may cause fire and electric shock.
- **Do not operate with wet hands or in damp environment.**  
It may cause electric shock.
- **Ventilate before operating dehumidifier when gas goes out.**  
It may cause explosion, fire, and burn.
- **Do not clean the dehumidifier with water.**  
Water may enter the unit and degrade the insulation. It may cause an electric shock.
- **Unplug unit before cleaning the unit.**  
Since the fan rotates at high speed during operation, it may cause injury.
- **If water enters the product, turn off the dehumidifier's power switch, then unplug the unit. Contact service for repair.**  
It will cause machine failure or electric shock.
- **Do not block the inlet or outlet.**  
It may cause failure of appliance or performance deterioration.
- **Hold the plug by the head when taking it out.**  
Otherwise, it may cause electric shock and damage.
- **Turn off the main power switch when not using the dehumidifier for a long time.**  
Turning off the unit will save on energy costs.
- **Make sure the dehumidifier is the correct size for the area you want to dehumidify.**  
It is not designed to dehumidify the entire house.
- **Install the dehumidifier properly only on a floor.**  
For proper operation, your dehumidifier should be installed only on a floor.
- **Close all doors, windows and other outside openings to the room.**  
The dehumidifier must be operated in an enclosed area to be most effective.
- **When removing the filter be aware that some metal parts may have sharp edges.**  
Sharp edges may cause injury.
- **Use a soft cloth to clean. Do not use wax, thinner, or a strong detergent.**  
The appearance of the dehumidifier may deteriorate, change color, or develop surface flaws.
- **Be sure to replace the bucket properly after emptying to prevent water from collecting on the floor.**  
Otherwise, it will cause property damage.
- **May not operate if the room temperature is below 65°F(18°C).**  
Low temperatures could cause coils to frost.
- **Do not put a pet or house plant where it will be exposed to direct air flow.**  
This could injure the pet or plant.
- **Do not use the water collected in the bucket for drinking purposes.**  
It is not sanitary and could cause illness or personal injury.
- **Insert the filter securely. Clean it every two weeks.**  
Operation without filters will cause unit failure.
- **Do not allow children to play with this product.**

# ELECTRICAL REQUIREMENTS

OBSERVE ALL LOCAL CODES AND ORDINANCES.

**DO NOT, UNDER ANY CIRCUMSTANCES, REMOVE THE POWER SUPPLY CORD GROUND PRONG.**

**ELECTRICAL GROUND IS REQUIRED ON THIS APPLIANCE.**

A 115-volt 60 Hz, AC only, 15A fused and properly grounded electrical supply is required. A time delay fuse or time delay circuit breaker is recommended. Use a dedicated circuit, serving only this appliance.

**DO NOT USE AN EXTENSION CORD.**

## RECOMMENDED GROUNDING METHOD

For your personal safety, this appliance must be grounded. This appliance has a power supply cord with a 3-prong grounding plug. To minimize possible shock hazard, the cord must be plugged into a mating grounding type wall receptacle and grounded in accordance with the National Electrical Code (ANSI/NFPA 70) latest edition and all local codes and ordinances. If a mating wall receptacle is not available, it is the personal responsibility and obligation of the customer to have a properly grounded 3-prong wall receptacle installed by a qualified electrician.

## ⚠ WARNING



Electrical Shock Hazard

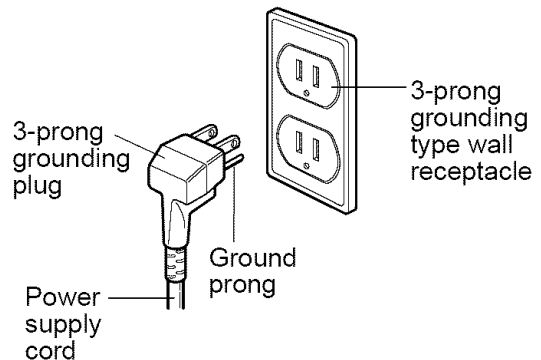
Plug into a grounded 3 prong outlet.

Do not remove ground prong.

Do not use an adapter.

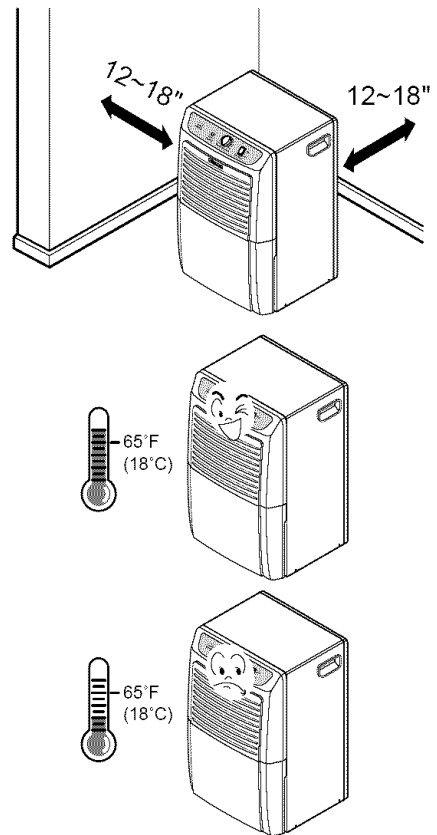
Do not use an extension cord.

Failure to follow these instructions can result in death, fire, or electrical shock.



# INSTALLING YOUR DEHUMIDIFIER

- Install the dehumidifier on a level floor strong enough to support the unit with a full bucket of water.
- For best performance, allow at least 12-18 inches of air space on all sides of the unit for good air circulation.
- Keep all outside doors, windows, and other openings closed when operating the dehumidifier. Humid outdoor air will add to the unit's work load.
- Install your dehumidifier in an area where the temperature will not fall below 65°F (18°C) or 42°F(6°C) on the low temperature model. At temperatures below this, the coils can become covered with frost, which may reduce dehumidifying performance.

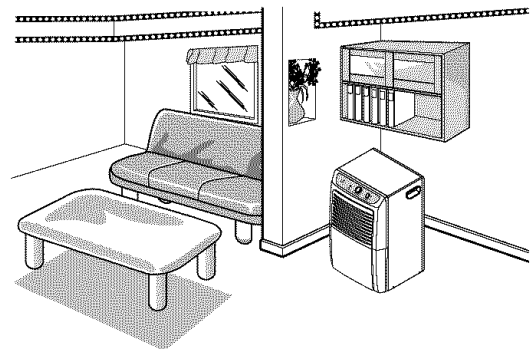


## DEFROST CONTROL FUNCTION

The dehumidifier has a built-in defrost control that senses frost build-up on the evaporator coil, it will automatically shut off the compressor. The fan will continue to run to draw air across the coil and melt the frost. When the coil is defrosted, the compressor will automatically restart and dehumidifying will resume.

## CHOOSING THE PROPER LOCATION

- Use the dehumidifier in a basement to help prevent moisture damage.
- Use the dehumidifier in cooking, laundry, bathing, and dishwashing areas that have excessive moisture.
- Use the dehumidifier to prevent moisture damage anywhere books or valuables are stored.



## AUTOMATIC SHUT OFF

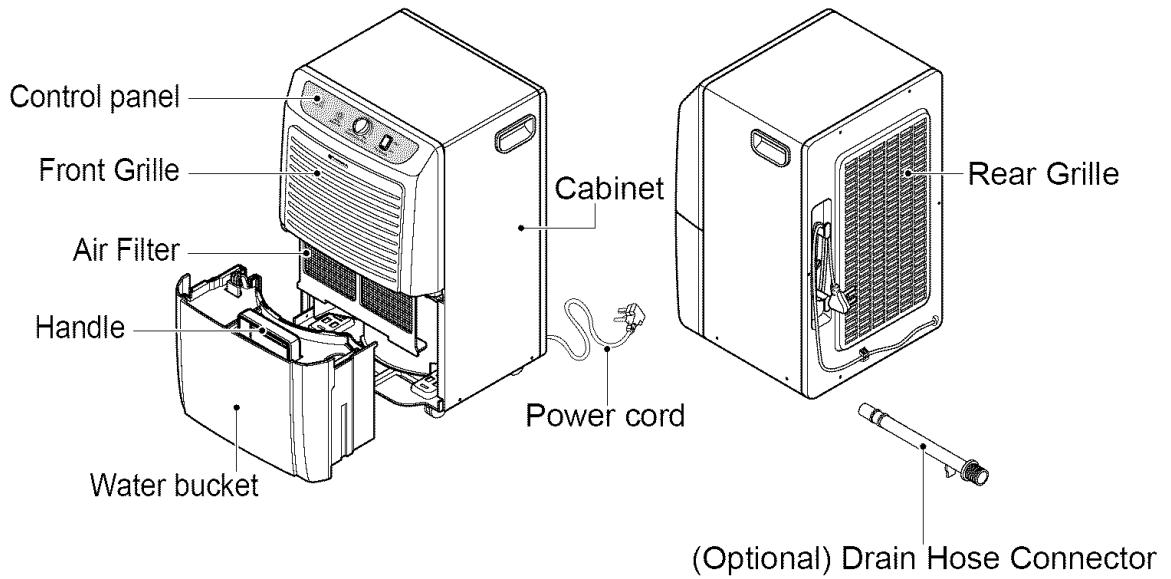
- When the bucket is full, or when the bucket is not in the proper position, the Bucket Full light turns on and the unit automatically shuts off.  
Also, when bucket is out of position, the unit will beep 3 times.
- **The bucket must be replaced in the proper position for the dehumidifier to work. The light will be on and the dehumidifier will not run if the bucket is not in the proper position.**
- **The dehumidifier will shut off once the desired humidity setting is reached.**

# OPERATION

## FEATURES

### **⚠ WARNING**

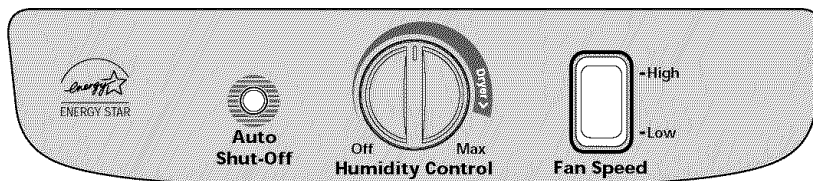
To reduce the risk of fire, electric shock, or injury to persons, read the important SAFETY instructions section before operating this appliance.



### SELECTION GUIDE

Room Size (sq-ft)	Moderately Damp	Very Damp	Wet	Extremely Wet
22'x 22'	35 Pt	35 Pt	35 Pt	35 Pt
30'x 30'	35 Pt	35 Pt	50 Pt	50 Pt
30'x 50'	50 Pt	50 Pt	50 Pt	70 Pt
40'x 50'	50 Pt	50 Pt	70 Pt	70 Pt

# OPERATION



## CONTROL PANEL

The control panel contains an Auto Shut-Off indicator, a Fan Speed and a Humidity Control.

Auto Shut Off--- This light glows when the bucket fills or is missing.

Fan Speed --- This switch controls the speed of the airflow.

Humidity Control--- This knob controls the moisture in the room.

### TO OPERATE THE DEHUMIDIFIER:

1. Turn the Humidity Control to Off. Plug the power supply cord into an electrical outlet.
2. The Humidity Control can be set anywhere between Off and Max for normal operation. If you need more dehumidification, turn the Humidity Control toward Max. If you need less dehumidification, turn the Humidity Control toward Off.
3. Turn the Humidity Control to Off to stop the unit manually.
4. If you want to control the speed of air flow, turn the Fan Speed toward Low or High.

# OPTIONS FOR DISPOSING OF COLLECTED WATER

## EMPTYING THE BUCKET MANUALLY

1. When the bucket is full, slide it out by grasping the handle and emptying it into a large sink or tub, and then replace it properly. See Figure 1.
2. Empty the bucket when the indicator light turns on.
3. Do not remove the bucket while the dehumidifier is operating. Moving the bucket can cause water to drop on the base pan or the floor.
4. Carry the bucket by supporting it from the bottom as well as by the handle. Carrying by only the handle may cause the handle or bucket cover to break.

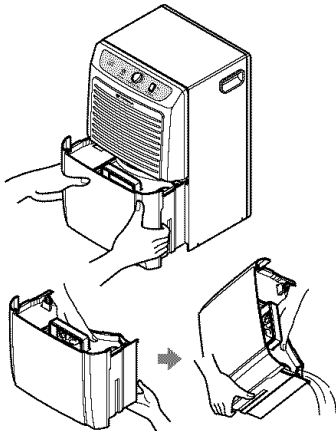


Figure 1

## USING A GARDEN HOSE

You have the option of attaching a garden hose to your dehumidifier to drain water later than using the water bucket.

The empty water bucket must still be installed for the dehumidifier to operate.

Attach hose prior to initial operation.

First, remove the drain hole cover on the rear grille. Use needlenose pliers to pull the drain hole cover out. Figure 2.

Next, connect a garden hose to the threaded end of the drain hose connection, being careful not to overtighten the hose.

Slide out the bucket. Look into the dehumidifier drain hole on the rear grill. You will see the stem that the drain hose connector fits into. Push the connector firmly into the stem.

Make sure that the garden hose is not bent or kinked. The hose should lie flat from the dehumidifier to the drain.

When not in use, the drain hose connector can be stored in the water bucket.

Lift the cover off the water bucket and place the connector into the V shape grooves directly below the bucket handle.

An optional drain hose (#9181) is available for purchase through Sears Retail stores.

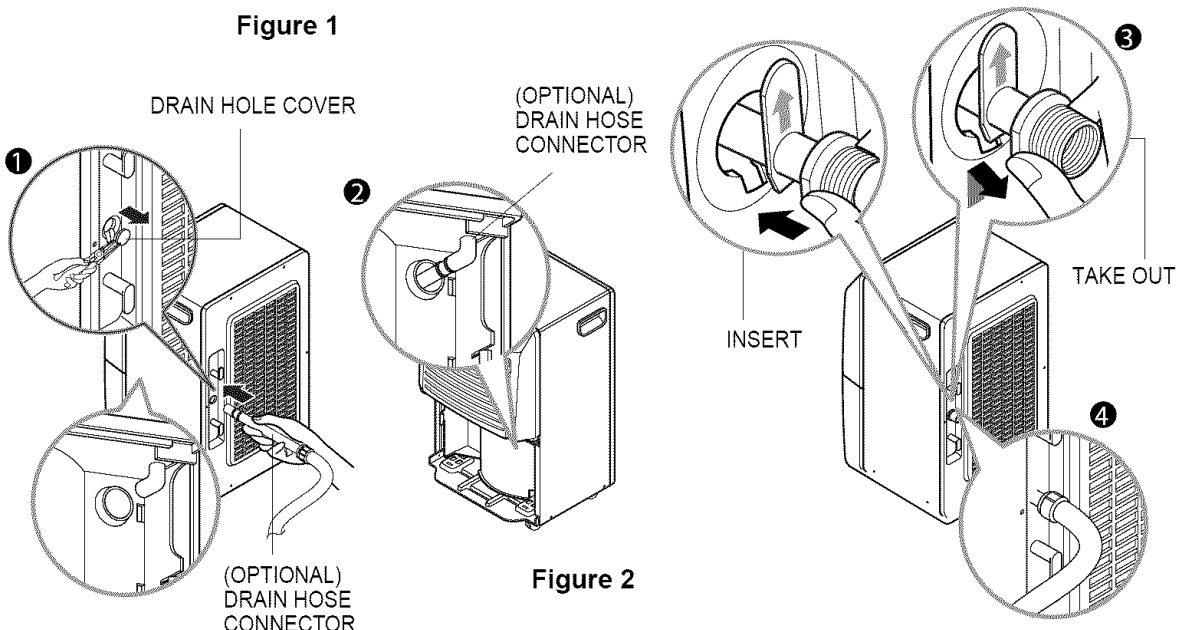


Figure 2



# MAINTENANCE

## GRILLE AND CASE

**To clean the case:** Use water and a mild detergent. Do not use bleach or an abrasive cleaner.

**To clean the grille:** Use a vacuum with an attachment or brush.

## AIR FILTER

Check and clean air filter at least every 30 days or more often if necessary.

### TO REMOVE:

Remove water bucket from the cabinet. Pull out the air filter as shown above.

Wash air filter with warm water and a mild detergent. Rinse and dry it.

Once dry, replace in unit.

## CLEANING INSIDE THE UNIT

After removing the air filter, clean the coil on the inside with a soft brush to remove any soft and wet soil.

Be careful of sharp edges!

**NOTE:** Do not allow water to enter the electrical/machine compartment through the circular opening behind the coil.

**Do not spray the coil with a hose.**

## GENERAL CLEANING

- Dust the front grille and the side panels with a soft brush or use the dusting attachment of your vacuum.
- If cabinet paint chips, you can touch up the paint with a good grade enamel to prevent rust.

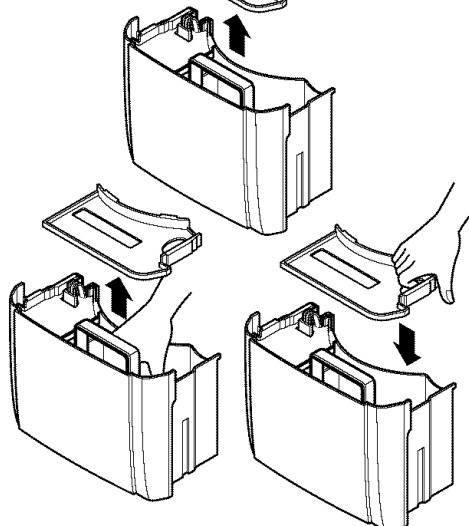
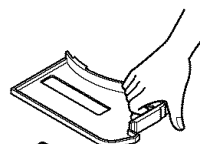
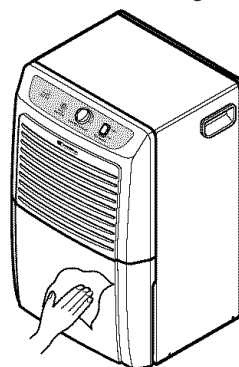
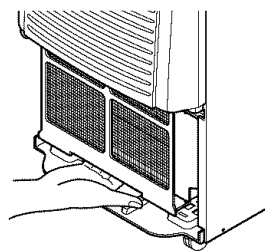
## WATER BUCKET CLEANING

- Slide out the bucket.
- Remove bucket cover.
- Put the cover back on the bucket.
- Bucket should be cleaned every few weeks.

## ⚠ WARNING

Electrical Shock Hazard

- Disconnect power supply cord from receptacle before performing any maintenance.
- Be careful when cleaning the coils. Fins are sharp.



# TROUBLESHOOTING



The dehumidifier may be operating abnormally when:

Problem	Possible Causes	What To Do
Dehumidifier does not start	■ The dehumidifier power cord is unplugged.	• Make sure the dehumidifier plug is pushed completely into the outlet.
	■ The fuse is blown or circuit breaker is tripped.	• Check the house fuse or circuit breaker box and replace the fuse or reset the breaker.
	■ Water bucket is full.	• The dehumidifier automatically turns off when this occurs. Empty the bucket.
	■ Bucket is not installed.	• Make sure the bucket is in the right place.
Dehumidifier does not dry the air as it should	■ Did not allow enough time to remove the moisture.	• When first installed, allow at least 3 or 4 days to achieve and maintain the desired dryness.
	■ Airflow is restricted.	• Make sure there are no curtains, blinds or furniture blocking the front or back of the dehumidifier.
	■ The humidity control may not be set high enough.	• Turn the humidity control knob closer to the Max position.
	■ Doors and windows may not be closed tightly.	• Check that all doors, windows and other openings are securely closed.
	■ Clothes dryer may be blowing moisture-laden air into the room.	• Install the dehumidifier away from the dryer. The dryer should be vented to the outside.
	■ Room temperature is too low.	• The unit may not operate efficiently if the room temperature is below 65°F (18°C).
Dehumidifier seems to run too much	■ Area to be dehumidified is too large.	• Refer to Selection Guide on page 6.
	■ Doors and windows are open.	• Close all doors and windows to the outside.
Frost appears on the coils	■ Dehumidifier has recently been turned on. Room temperature is below 65°F (18°C).	• This is normal. Frost will usually disappear within 60 minutes. • Ensure room temperature is at the minimum of 65°F (18°C) for proper operation.
Water on floor	■ Drain hose connection may be loose.	• Check the hose if one is attached.
	■ Water bucket is out of position.	• Ensure bucket is properly positioned.

# ÍNDICE DE MATERIAS

ÍNDICE DE MATERIAS .....	11	OPCIONES PARA LA ELIMINACIÓN DEL AGUA CREADA .....	17
GARANTÍA .....	11	MANTENIMIENTO .....	18
INSTRUCCIONES DE SEGURIDAD .....	12	La rejilla y el gabinete .....	18
REQUERIMIENTOS ELÉCTRICOS .....	13	Filtro de aire .....	18
INSTALACIÓN DEL DESHUMIDIFICADOR ...	14	Limpieza interna de la unidad .....	18
Control de descongelamiento .....	14	Limpieza General .....	18
SELECCIÓN DEL LUGAR ADECUADO ...	14	Limpieza del recipiente de agua .....	18
APAGADO AUTOMÁTICO .....	14	SOLUCIÓN DE PROBLEMAS .....	19
FUNCIONAMIENTO .....	15	ACUERDOS DE PROTECCIÓN ESPECIALIZADA .....	23
Características .....	15	PARA PEDIR SERVICIO.....Cubierta Trasera	
Panel de control .....	16		

## GARANTÍA

### UN AÑO DE GARANTÍA EN TODAS LAS PARTES DEL DESHUMIDIFICADOR

Durante un año a partir de la compra, si el deshumidificador es usado y mantenido de acuerdo con las instrucciones del usuario adjuntas o suministradas con el aparato, Sears reparará el deshumidificador sin costo alguno si éste muestra defectos en los materiales o mano de obra.

### CINCO AÑOS DE GARANTÍA COMPLETA EN EL SISTEMA DE REFRIGERACIÓN

Durante cinco años a partir de la compra, si el deshumidificador es usado y mantenido de acuerdo con las instrucciones del usuario adjuntas o suministradas con el aparato, Sears reparará el sistema de refrigeración sellado (el cual consta de refrigerante, los tubos conectores y el motor compresor) si éste muestra defectos en los materiales o mano de obra.

**SE OFRECE SERVICIO DE GARANTÍA AL REGRESAR LA UNIDAD AL CENTRO DE SERVICIO SEARS MÁS CERCANO EN TODOS LOS ESTADOS UNIDOS. LLAME 1-800-4-MY-HOME® PARA A MÁS CERCANO CENTRO DEL SERVICIO A USTED.**

Esta garantía sólo tiene validez mientras el deshumidificador se esté usando en los Estados Unidos. Esta garantía le confiere derechos legales específicos, pero usted podría gozar de otros derechos que pueden variar de Estado a Estado.

**Sears, Roebuck and Co., D/817WA, Hoffman Estates, IL 60179 U.S.A.**

# INSTRUCCIONES DE SEGURIDAD



## IMPORTANTES INSTRUCCIONES DE SEGURIDAD

Para reducir el riesgo de incendio, descarga eléctrica o lesión al utilizar su deshumidificador deberán seguirse en todo momento las siguientes precauciones de seguridad.

- **No coloque el cable de alimentación cerca de una estufa.**  
Podría producirse un incendio y una descarga eléctrica.
- **No utilice el cable de alimentación cerca de gas inflamable o combustibles, como gasolina, benceno, disolvente, etc.**  
Podría producirse una explosión o incendio.
- **No desmonte ni modifique los productos.**  
Puede causar una descarga eléctrica
- **Enchufe el cable de alimentación adecuadamente.**  
De lo contrario, puede ocasionar un incendio o una descarga eléctrica.
- **No encienda ni apague la unidad insertando o retirando la clavija.**  
Causará una descarga eléctrica o incendio
- **No dañe el cable ni utilice un cable de alimentación no especificado.**  
Podría producirse una descarga eléctrica o incendio.
- **No modifique la longitud del cable de alimentación.**  
Causará una descarga eléctrica o incendio.
- **No comparta el enchufe con otros aparatos.**  
Causará una descarga eléctrica o incendio.
- **Realice siempre la conexión a un enchufe con toma de tierra.**  
Si no hay toma de tierra, podría producirse una descarga eléctrica.
- **Desenchufe la unidad si emite un sonido extraño, olores o humo.**  
Desenchufar la unidad puede evitar el riesgo de descargas eléctricas o de incendios.
- **No utilice el enchufe si está flojo o dañado.**  
Podría producirse una descarga eléctrica o incendio.
- **No utilice la unidad con las manos mojadas o en un entorno húmedo.**  
Puede causar una descarga eléctrica o incendio.
- **Si hay una fuga de gas, ventile la habitación antes de utilizar el deshumidificador.**  
Podría producirse una explosión, incendio y quemaduras.
- **No limpie el deshumidificador con agua.**  
El agua podría introducirse en la unidad y degradar el aislamiento. Podría producirse una descarga eléctrica.
- **Desenchufe la unidad antes de limpiarla.**  
Como el ventilador gira a alta velocidad durante el funcionamiento, podrían producirse lesiones.
- **Si entra agua en el producto, apague el interruptor del deshumidificador y, a continuación, desenchufe la unidad. Póngase con contacto con el centro de servicio para tareas de reparación.**  
Causará fallo de la máquina o descarga eléctrica.
- **No bloquee la entrada ni la salida.**  
Puede causar fallas de aplicación o deterioro en su rendimiento.
- **Sujete la clavija por la cabeza cuando la saque.**  
De lo contrario, podría ocurrir una descarga eléctrica y daños.
- **Apague el interruptor de contacto cuando no vaya a utilizar el deshumidificador durante un largo periodo de tiempo.**  
Apagar la unidad ahorrará gasto en energía.
- **Asegúrese de que el deshumidificador tiene la capacidad adecuada para la zona que desea deshumidificar.**  
No está diseñado para enfriar la casa entera.
- **Instale el deshumidificador en el suelo debidamente.**  
Para un funcionamiento adecuado, su deshumidificador se debería instalar únicamente en el suelo.
- **Cierre todas las puertas, ventanas y aberturas al exterior de la habitación.**  
Para una mayor eficacia, el deshumidificador debe utilizarse en una zona cerrada.
- **Al extraer el filtro, sea consciente de que las piezas metálicas pueden tener bordes afilados.**  
Los bordes afilados pueden provocar lesiones.
- **Utilice un paño suave para limpiar la unidad. No utilice cera, disolvente ni un detergente fuerte.**  
Podría deteriorarse el aspecto del deshumidificador, cambiar el color o producirse desperfectos en su superficie.
- **Asegúrese de reemplazar la cubeta debidamente cuando vaya a vaciarla para evitar que el agua caiga al suelo.**  
De lo contrario, se causarían daños a la propiedad.
- **Tal vez no funcione con eficiencia si la temperatura de la sala está por debajo de los 65°F(18°C).**  
Las bajas temperaturas podrían producir escarcha en los serpentines.
- **No coloque ningún animal o planta expuestos al flujo de aire directo.**  
Esto podría lesionar al animal o dañar la planta.
- **No utilice el agua acumulada en la cubeta para beber.**  
No es salubre y podría causar enfermedades o poner en riesgo su salud.
- **Inserte el filtro con seguridad. Límpielo cada dos semanas.**  
Poner la unidad en marcha sin filtros provocará fallos en la unidad.
- **No permita que los niños jueguen con este producto.**

# REQUERIMIENTOS DE ALIMENTACIÓN ELÉCTRICA

RESPETE TODOS LOS CÓDIGOS Y REGLAMENTOS.

**BAJO NINGUNA CIRCUNSTANCIA CORTE, quite o evite el uso de la conexión a tierra de esta clavija.**

**ESTE APARATO NECESITA SER CONECTADO A TIERRA.**

Se requiere una alimentación eléctrica CA, adecuadamente conectada a tierra con un fusible de 15 A, de 60 Hz y de 115 V. Se recomienda un fusible de retardo o un disyuntor de circuito que alimente solamente a este aparato.

**NO USE CABLE ELÉCTRICO DE EXTENSIÓN.**

**MÉTODO RECOMENDADO DE CONEXIÓN A TIERRA**

Por su propia seguridad este aparato debe conectarse a tierra. Este aparato viene equipado con un cable de alimentación y una clavija de tres terminales. Para reducir al máximo el peligro de choque eléctrico, el cable debe estar conectado a una conexión de pared con conexión a tierra, y esta conexión debe hacerse de acuerdo con la última edición del Código Eléctrico Nacional (ANSI/NFPA 70), así como con los códigos y reglamentos locales. Si no existe una conexión de pared adecuada, el cliente tiene la responsabilidad y la obligación de mandar instalar, con un electricista calificado, una conexión de pared adecuada de tres terminales con conexión a tierra.

## ⚠ ADVERTENCIA



Peligro de choque eléctrico

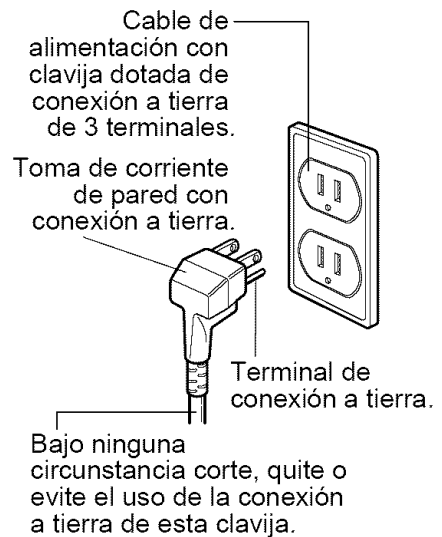
Conecte en una conexión de pared de 3 terminales

No quite la terminal de conexión a tierra

No use adaptadores

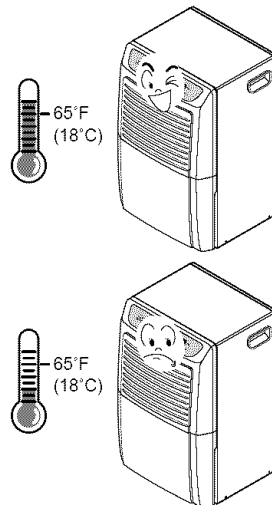
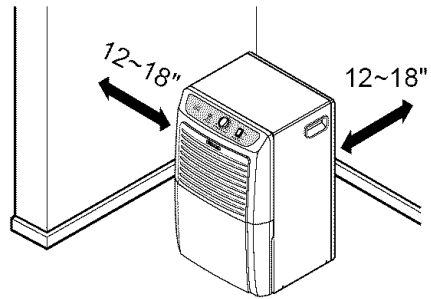
No use cable eléctrico de extensión

Si no se siguen estas instrucciones, puede ocasionarse la muerte, un incendio o un choque eléctrico.



# INSTALACIÓN DEL DESHUMIDIFICADOR

- Instale el deshumidificador en un piso nivelado lo suficientemente sólido como para soportar la unidad con el recipiente lleno de agua.
- Para lograr un máximo rendimiento, deje un espacio libre de 12 a 18 pulgada en todo el espacio que circunde al aparato con objeto de mantener una buena circulación de aire.
- Mantenga todas las puertas, ventanas y otras entradas de aire cerradas al operar el deshumidificador. El aire húmedo del exterior hará que el aparato trabaje en exceso.
- Instale su deshumidificador en un área en la que la temperatura no vaya a caer por debajo de los 65°F (18°C) o 42°F (6°C) en el modelo de baja temperatura. A menor temperatura, el serpentín del aparato podría cubrirse de escarcha. Por lo tanto el desempeño de dehumidifying se puede reducir.

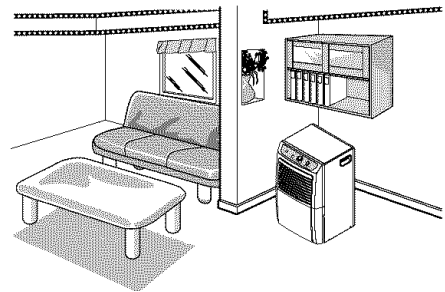


## CONTROL DE DESCONGELAMIENTO

El deshumidificador cuenta con un control de descongelación incorporado en la bobina del evaporador, apagará automáticamente de compresor. El ventilador seguirá funcionando para hacer que el aire pase por el serpentín y derrita la escarcha. Cuando se derrite la escarcha, el compresor arranca de nuevo automáticamente y comienza a haber deshumidificación.

# SELECCIÓN DEL LUGAR ADECUADO

- Use el deshumidificador en un sótano para ayudar a evitar los daños que causa la humedad.
- Use el deshumidificador al cocinar, al lavar la ropa, al bañarse y en lugares en que lava la vajilla en que hay demasiada humedad.
- Use el deshumidificador para evitar los daños que causa la humedad en libros y objetos valiosos almacenados.



# APAGADO AUTOMÁTICO

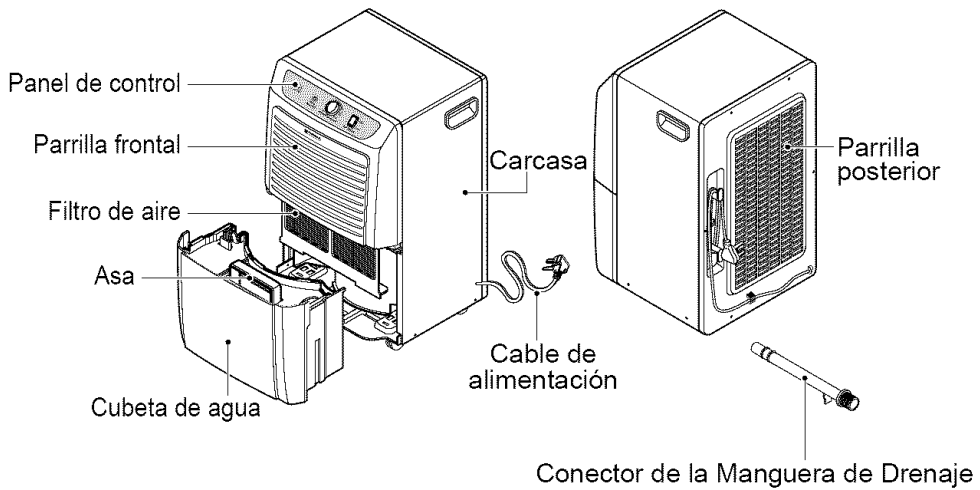
- Cuando el cubo esta repleto, o cuando el cubo no esta en la posicion apropiada, el Cubo Repleto ligero prende y la unidad apaga automaticamente. Tambien, cuando cubo es fuera de posicion, la unidad hace pip pip 3 times.
- **La cubeta debe ser re-ubicado en la posición apropiada para que el deshumedecedor funcione. La luz será encendida y el deshumedecedor no funcionará si la cubeta no está en la posición apropiada.**
- El deshumidificador se apagará cuando se alcance la humedad deseada.

# FUNCIONAMIENTO

## CARACTERÍSTICAS

### ⚠ ADVERTENCIA

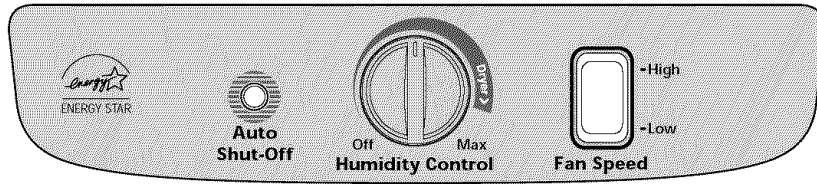
Para reducir el riesgo de incendio, descarga eléctrica o lesión al utilizar su deshumidificador, deberán seguirse en todo momento las siguientes precauciones de seguridad.



### GUÍA DE SELECCIÓN

Tamaño de la sala (sq-ft)	Moderadamente Húmedo	Muy Húmedo	Mojado	Extremadamente Mojado
22' x 22'	35 Pt	35 Pt	35 Pt	35 Pt
30' x 30'	35 Pt	35 Pt	50 Pt	50 Pt
30' x 50'	50 Pt	50 Pt	50 Pt	70 Pt
40' x 50'	50 Pt	50 Pt	70 Pt	70 Pt

# FUNCIONAMIENTO



## PANEL DE CONTROL

El panel de control contiene un indicador de autoapague, una velocidad del ventilador y un control de la humedad.

Autoapague --- Esta luz se ilumina cuando la cubeta está llena o no está en su sitio.

Velocidad del ventilador --- Este interruptor controla la velocidad del flujo de aire.

Control de la humedad --- Controla el nivel de humedad de la sala.

### PARA OPERAR EL DESHUMIDIFICADOR:

1. Ponga el control de humedad en apagado (OFF). Enchufe el cable de extensión eléctrica en la conexión de pared.
2. El Control de Humedad puede ser fijado en cualquier posición entre Apagado y Máximo para una operación normal. Si necesita un nivel de deshumidificación más alto, ponga el Control de Humedad en Máximo. Si necesita un nivel de deshumidificación menor, ponga el Control de Humedad en Apagado (Off).
3. Ponga el control de humedad en Apagado para apagar manualmente la unidad.
4. Si desea controlar la velocidad del flujo de aire, ponga la velocidad del ventilador en bajo o en alto.



# OPCIONES PARA LA ELIMINACIÓN DEL AGUA CREADA

## VACIAR LA CUBETA MANUALMENTE

1. Cuando la cubeta esté llena, deslícela hacia el exterior agarrando el asa y vaciando el líquido en una bañera o lavamanos grande y repóngalo debidamente. Figura 1.
2. Vacíe la cubeta cuando la luz indicadora se encienda.
3. No saque la cubeta mientras del deshumidificador esté en funcionamiento. Sacar la cubeta puede provocar que se caiga el agua en el colector base o en el suelo.
4. Transporte la cubeta agarrándola desde el fondo tanto como del asa. Transportarla sólo con el asa puede provocar que se rompa el asa o la cubierta de la cubeta.

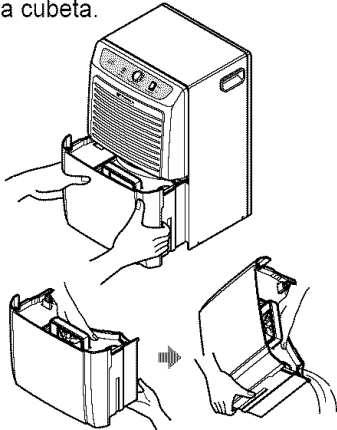


Figura 1

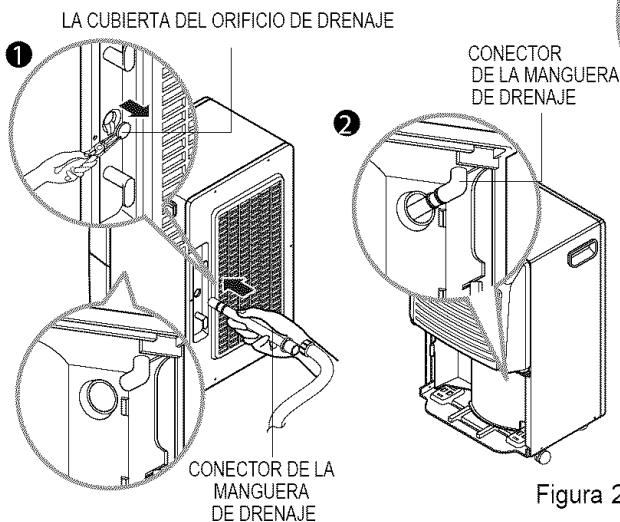


Figura 2

## USO DE UNA MANGUERA DE JARDÍN

Tiene la opción de acoplar una manguera de jardín a su deshumidificador para drenar el agua más tarde usando la cubeta del agua.

La cubeta vacía debe instalarse para que el deshumidificador pueda seguir funcionando.

Acople la manguera antes de la operación inicial.

En primer lugar, quite la tapa del orificio de drenaje de la parrilla posterior.

Use alicates de nariz de aguja y quite la tapa de la manguera de drenaje estirando de ella. Figura 2.

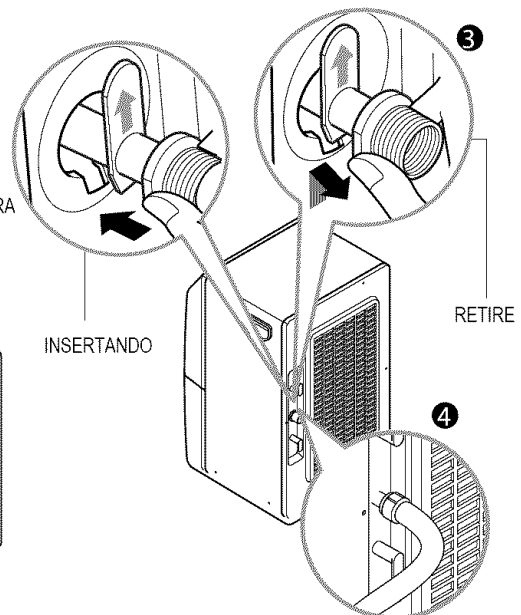
A continuación, conecte una manguera de jardín al extremo roscado de la conexión de la manguera de drenaje, teniendo cuidado para no apretar demasiado la manguera.

Deslice la buqueta hacia el exterior. Mire en el interior del orificio de drenaje del deshumidificador de la parrilla posterior. Verá el tallo en el que se conecta el conector de la manguera de drenaje.

Empuje el conector firmemente en el tallo.

Asegúrese de que la manguera de jardín no está doblada ni plegada. La manguera debería descansar plana desde el deshumidificador al drenaje.

Hay disponible una manguera de drenaje opcional (#9181) en su tienda Sears más cercana.



# MANTENIMIENTO

## LA REJILLA Y EL GABINETE

**Para limpiar el gabinete:** Use agua y un detergente suave. No use blanqueador ni limpiadores abrasivos.

**Para limpiar la rejilla:** Use una aspiradora con un cono o cepillo.

## FILTRO DE AIRE

Compruebe y limpie el filtro del aire al menos cada 30 días o más a menudo en caso de necesidad.

### PARA RETIRARLO:

Flexione el filtro en la esquina inferior derecha y deslice la esquina superior derecha hacia la izquierda. Lávelo con agua jabonosa tibia. Enjuáguelo y déjelo secar antes de volverlo a colocar.

## LIMPIEZA INTERNA DE LA UNIDAD

Después de quitar el filtro de aire, limpie el serpentín interno con un cepillo suave para quitar las partículas no adheridas o húmedas.

!Tenga cuidado con los bordes puntiagudos!

**NOTA:** No deje que el agua entre en el compartimiento eléctrico/mecánico en la abertura circular situada detrás del serpentín.

**No rocíe el serpentín con manguera.**

## LIMPIEZA GENERAL

- Quite el polvo de la rejilla y de los paneles laterales con un cepillo suave o use el cepillo de su aspiradora.
- Si el gabinete se despostilla, puede retocar la pintura con un esmalte de buena calidad para evitar que se oxide.

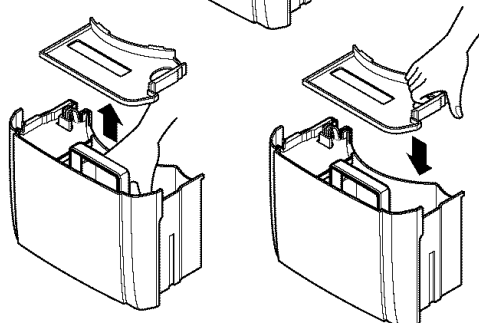
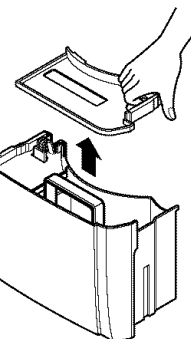
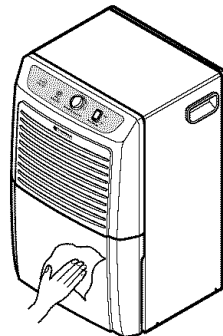
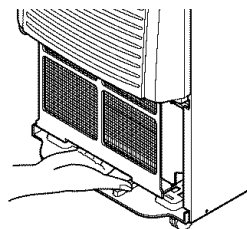
## LIMPIEZA DEL RECIPIENTE DE AGUA

- Deslice la cubeta hacia el exterior.
- Quite la tapa de la cubeta.
- Ponga de nuevo la tapa en la cubeta.
- Debería limpiarse la cubeta una vez cada varias semanas.

### ⚠ ADVERTENCIA

Riesgo de descarga eléctrica

- Desconecte el cable de alimentación del enchufe antes de realizar cualquier mantenimiento.
- Tenga cuidado cuando limpie los serpentines. Las aletas están afiladas.



# SOLUCIÓN DE PROBLEMAS



El deshumidificador puede funcionar de modo anormal cuando:

Problema	Causas posibles	¿Qué hacer?
El deshumidificador no se enciende	■ El cable de alimentación del deshumidificador está desenchufado.	• Asegúrese de que la clavija del deshumidificador está completamente insertada en el enchufe.
	■ Se ha fundido el fusible o se ha disparado el interruptor automático.	• Compruebe los fusibles o el cuadro del interruptor automático y cambie el fusible o vuelva a conectar el interruptor.
	■ La cubeta de agua está llena.	• El deshumidificador se apaga automáticamente cuando esto ocurre. Vacíe la cubeta.
	■ La cubeta no está instalada.	• Asegúrese de que la cubeta está colocada correctamente.
El deshumidificador no seca el aire como debiera	■ No ha habido suficiente tiempo para eliminar la humedad.	• Cuando se instala por primera vez, debe esperar al menos 3 ó 4 días para lograr y mantener el nivel de humedad deseado.
	■ El flujo de aire está restringido.	• Asegúrese de que no hay cortinas, persianas o mobiliario que bloquean la parte frontal o posterior del deshumidificador.
	■ El control de sequedad no está puesto en posición alta.	• Ponga la perilla de control de sequedad cerca de la posición máxima.
	■ Es posible que las puertas y ventanas no estén completamente cerradas.	• Compruebe que todas las puertas, ventanas y otras aberturas están cerradas completamente.
	■ Es posible que la secadora de ropa esté expulsando aire cargado de humedad en la habitación.	• Instale el deshumidificador lejos de la secadora. La secadora debe tener salida al exterior.
	■ La temperatura de la habitación es demasiado baja	• La unidad posiblemente no funcione eficientemente si la temperatura baja por debajo de los 65°F (18°C).
El deshumidificador parece revolucionarse demasiado	■ La zona a deshumidificar es demasiado grande.	• Consulte la Guía de Selección de la página 15.
	■ Las puertas y ventanas están abiertas.	• Cierre todas las puertas y ventanas comunicadas con el exterior.
Aparece escarcha en los serpentines	■ Se ha encendido recientemente el deshumidificador. La temperatura de la sala es inferior a los 65°F (18°C).	• Es normal. Normalmente, la escarcha desaparece transcurridos 60 minutos. • Asegúrese de que la temperatura de la sala está como mínimo, a 65°F (18°C) para un funcionamiento adecuado.
Hay agua en el suelo	■ Es posible que la conexión de la manguera de drenaje esté suelta.	• Compruebe la manguera, en caso de que haya incorporado una.
	■ La cubeta del agua está fuera de posición.	• Cerciórese de que la cubeta está debidamente posicionada.

# NOTA

A series of horizontal dotted lines for writing notes.

# NOTA

# NOTA

A series of horizontal dotted lines for writing notes.

## Master Protection Agreements

*Congratulations on making a smart purchase.* Your new Kenmore® product is designed and manufactured for years of dependable operation. But like all products, it may require preventive maintenance or repair from time to time. That's when having a Master Protection Agreement can save you money and aggravation.

*Purchase a Maser Protection Agreement now and protect yourself from unexpected hassle and expense.*

The Master Protection Agreement also helps extend the life of your new product. Here's what's included in the Agreement:

- Expert service** by our 12,000 professional repair specialists
- Unlimited service and no charge** for parts and labor on all covered repairs
- "No-lemon" guarantee** - replacement of your covered product if four or more product failures occur within twelve months
- Product replacement** if your covered product can't be fixed
- Annual Preventive Maintenance Check** at your request - no extra charge
- Fast help by phone** - phone support from a Sears technician on products requiring in-home repair, plus convenient repair scheduling
- Power surge protection** against electrical damage due to power fluctuations
- Rental reimbursement** if repair of your covered product takes longer than promised

Once you purchase the Agreement, a simple phone call is all that it takes for you to schedule service. You can call anytime day or night, or schedule a service appointment online.

Sears has over 12,000 professional repair specialists, who have access to over 4.5 million quality parts and accessories. That's the kind of professionalism you can count on to help prolong the life of your new purchase for years to come. Purchase your Master Protection Agreement today!

**Some limitations and exclusions apply. For prices and additional information call 1-800-827-6655.**

## Sears Installation Service

*For Sears professional installation* of home appliances, garage door openers, water heaters, and other major home items, in the U.S.A. call **1-800-4-MY-HOME®**

## Acuerdos de Protección Especializada

*¡Enhorabuena! Ha realizado una compra inteligente.* Su nuevo aparato Kenmore® está diseñado y fabricado para ofrecerle años de buen funcionamiento. Sin embargo, al igual que todos los productos, puede precisar un mantenimiento preventivo o incluso alguna reparación de vez en cuando. En esas ocasiones, un Master Protection Agreement puede ayudarle a ahorrar dinero e inconvenientes.

*Adquiera un Maser Protection Agreement ahora, y protéjase a sí mismo de molestias y gastos inesperados.* El Master Protection Agreement le ayudará también a prolongar la vida de su nuevo aparato. Los siguientes servicios están incluidos:

- Servicio experto por parte de cualquiera de nuestros 12.000 técnicos profesionales especialistas** de Sears.
- Prestación de servicios sin limitaciones y sin cargarle** las piezas o la mano de obra en todas las reparaciones cubiertas por el acuerdo.
- Garantía seria de sustitución de las piezas** del producto cubierto por el acuerdo, si cuatro o más piezas se mostrasen defectuosas en un periodo de doce meses.
- Sustitución del producto por otro nuevo**, si el defectuoso no pudiese repararse.
- Control de mantenimiento anual preventivo**, siempre que lo desee y sin gasto adicional alguno.
- Asistencia telefónica inmediata** de un técnico especialista en productos que han de ser reparados a domicilio, además de una programación adecuada de la reparación.
- Protección contra subidas de tensión** que provoquen daños eléctricos debidos a las fluctuaciones en el suministro.
- Reintegro del alquiler** si la reparación del producto lleva más tiempo del prometido

Una vez que haya adquirido el Agreement, no necesitará más que una simple llamada para solicitar el servicio de su aparato. Además, podrá hacerlo en cualquier momento del día o de la noche, o solicitar una cita para prestación de servicios online.

Sears cuenta con más de 12.000 técnicos profesionales especialistas en reparaciones, con acceso a más de 4,5 millones de piezas de sustitución y accesorios de calidad. Éste será el tipo de profesionalidad y servicio con el que podrá contar para prolongar la vida de su nuevo producto por muchos años. ¡Adquiera hoy mismo su *Master Protection Agreement!*

**Se aplicarán algunas limitaciones y restricciones.**

**Si desea hacer alguna consulta sobre los precios u otra información adicional, le rogamos llame al teléfono 1-800-827-6655.**

## Servicios de Instalación Sears

*Para solicitar servicios de instalación profesionales de Sears* de electrodomésticos, mandos de apertura de puertas de garajes, calentadores de agua y otros aparatos en los Estados Unidos, puede llamar a **1-800-4-MY-HOME®**

# Get it fixed, at your home or ours!

## Your Home

For repair – **in your home** – of **all** major brand appliances, lawn and garden equipment, or heating and cooling systems, **no matter who made it, no matter who sold it!**

For the replacement parts, accessories and owner's manuals that you need to do-it-yourself.

For Sears professional installation of home appliances and items like garage door openers and water heaters.

**1-800-4-MY-HOME® (1-800-469-4663)**

Call anytime, day or night (U.S.A. and Canada)

[www.sears.com](http://www.sears.com)    [www.sears.ca](http://www.sears.ca)

---

## Our Home

For repair of carry-in items like vacuums, lawn equipment, and electronics, call or go on-line for the location of your nearest **Sears Parts & Repair Center.**

**1-800-488-1222**

Call anytime, day or night (U.S.A. only)

[www.sears.com](http://www.sears.com)

---

To purchase a protection agreement (U.S.A.) or maintenance agreement (Canada) on a product serviced by Sears:

**1-800-827-6655** (U.S.A.)

**1-800-361-6665** (Canada)

---

Para pedir servicio de reparación a domicilio, y para ordenar piezas:

**1-888-SU-HOGAR<sup>SM</sup>**  
(1-888-784-6427)

Au Canada pour service en français:

**1-800-LE-FOYER<sup>MC</sup>**  
(1-800-533-6937)  
[www.sears.ca](http://www.sears.ca)

# SEARS