



Bottom-Mount Refrigerator

Use & Care Guide

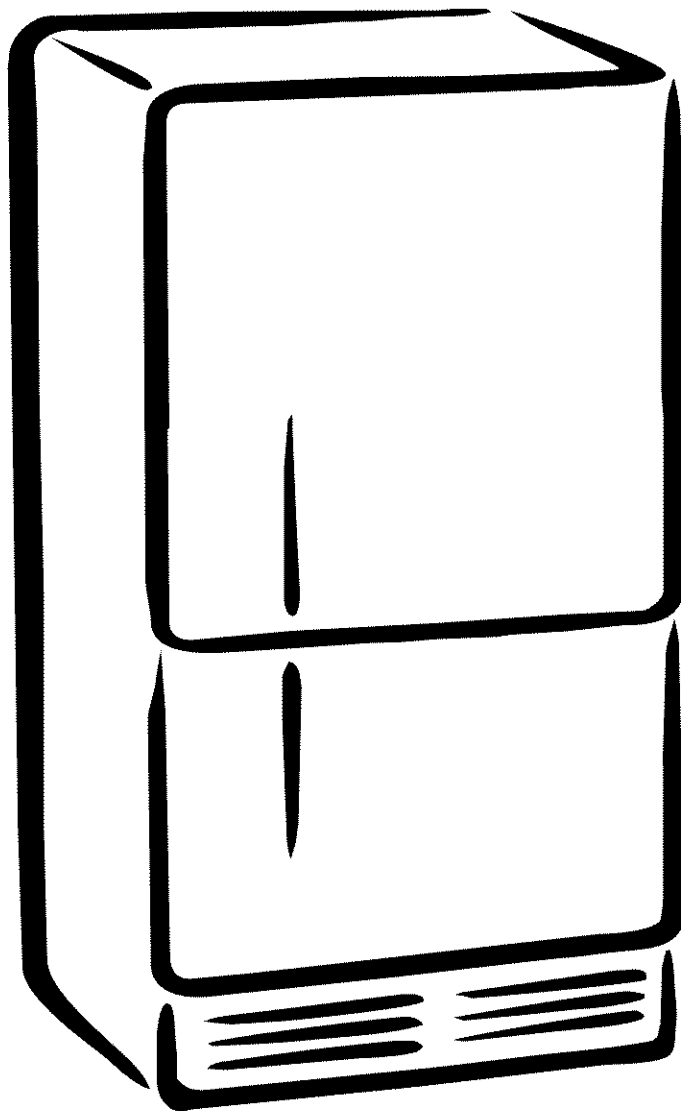
Refrigerador con montaje inferior

Manual de uso y cuidado

Réfrigérateur à compartiment inférieur

Guide d'utilisation et d'entretien

Model No: 69872, 69877, 79872, 79877



ENGLISH **ESPAÑOL** **FRANÇAIS**

Sears, Roebuck and Co., Hoffman Estates, IL 60179 U.S.A.
Sears Canada, Inc., Toronto, Ontario, Canada M5B 2B8

Electrical Requirements



Recognize this symbol as a safety precaution.



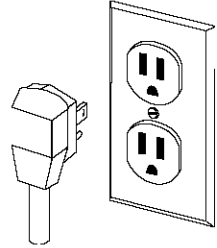
WARNING

To avoid electrical shock which can cause severe personal injury or death do not cut or remove the round grounding prong from the plug. Refrigerator must be grounded at all times. Do not remove warning tag from power cord.

Do not use a two-prong adapter. Do not use an extension cord.

Electrical Grounding Instructions — This refrigerator is equipped with a three-prong (grounding) plug for protection against possible shock hazards. If you encounter a two-prong receptacle, contact a qualified electrician and have the two-prong wall receptacle replaced with a properly grounded three-prong wall receptacle in accordance with the National Electrical Code.

Refrigerator is designed to operate on a separate 103 to 126 volt, 15 amp., 60 cycle line.



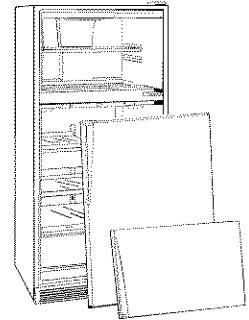
WARNING

Proper Disposal of Your Refrigerator

IMPORTANT: Child entrapment and suffocation are not problems of the past. Junked or abandoned refrigerators are still dangerous—even if they will sit for “just a few days”. If you discard an old refrigerator, please follow the instructions below to help prevent accidents.

BEFORE YOU THROW AWAY YOUR OLD REFRIGERATOR OR FREEZER:

- Take off the doors.
- Leave the shelves in place so children may not easily climb inside.



Warranty

Full One Year Warranty on Refrigerator

For one year from the date of purchase, when this refrigerator is operated and maintained according to instructions attached to or furnished with it, Sears will repair it, free of charge, if defective in material or workmanship.

Full Five Year Warranty on Sealed Refrigeration System

For five years from the date of purchase, when this refrigerator is operated and maintained according to instructions attached to or furnished with it, Sears will repair the sealed system (consisting of refrigerator, connecting tubing and compressor motor) free of charge, if defective in material or workmanship.

The above warranty coverage applies only to refrigerators which are used for storage of food for private household purposes.

Warranty Service is available by contacting 1-800-4-MY-HOME (1-800-469-4663).

This warranty applies only while this product is in use in the United States.

This Warranty gives you specific legal rights, and you may also have other rights, which vary from state to state.

Sears, Roebuck and Co, Dept 817WA, Hoffman Estates, IL 60179

Read and Save These Instructions

Record in the space provided below the model and serial numbers found on the serial plate located on the top left wall of the refrigerator compartment.

Model Number: 596. _____

Serial Number: _____

Purchase Date: _____

Contents

Electrical Requirements	2
Proper Disposal of Your Refrigerator	2
Warranty	2
Read and Save These Instructions	2
Installation Checklist	3
Installation Instructions	4
Space Requirements	4
Leveling Refrigerator	4
Door Reversal	4
Connect ice maker water supply line (some models)	6
Controls	7
Refrigerator and Freezer Controls	7
Setting Controls	7
Refrigerator Features	8
Refrigerator Shelves	8
Crisper and Temperature-Controlled Meat Drawer System(some models)	8
Bottle Rack (some models)	9
Covered Utility Bin (some models)	9
Dairy Compartments (some models)	10
Door Buckets	10
Tall Package Retainer (some models)	10
Door Shelves	10
Adjustable Divider (some models)	11
Bottle Holder (some models)	11
Freezer Features	11
Frost-Free System	11
Automatic Ice Maker (some models)	11
Ice Service Rack (some models)	12
Slideout Shelf (some models)	12
Vertical Shelf Divider (some models)	12
Fixed Wire Shelf (some models)	12
Wire Basket	13
Ice Bin (some models)	13
Care and Cleaning	13
General Cleaning	13
Adhesives	13
Door Gaskets	13
Condenser Coils	13
Glass Shelves	14
Odor Removal	14
Light Bulb Replacement	14
Vacation Tips	15
Energy Tips	15
Normal Operating Sounds	16
Before Calling For Service	17
Espanol	20
Français	39

Installation Checklist

Verify the following has been completed to ensure proper operation of your refrigerator.

Doors

- Handles are solidly attached
- Handle side of door is $\frac{1}{8}$ " higher than hinge side of door. (See installation instructions page 6.)
- Doors seal completely to refrigerator cabinet.

Leveling

- Refrigerator is tilted $\frac{1}{4}$ " (6 mm) from front to rear and level side to side.

Ice Maker (some models)

- Water supply to refrigerator is attached and turned on.
- Water leaks are not present at connection between household water supply and refrigerator. (After 24 hours check connection for water leaks.)
- Ice maker arm is in on position for ice production. (It may take up to 24 hours for first harvest of ice.)

Electrical

- Properly ground 3-prong wall receptacle is used to plug in refrigerator.

Note:

Translation may sometimes cause variations in meaning. In all cases where meaning varies, the most accurate meaning will be the English version of this document.

Installation Instructions

Proper installation will ensure this refrigerator operates most efficiently.



CAUTION

To avoid unit malfunction, make sure unit is stored in an upright position for at least 24 hours before plugging into electrical outlet. Failure to do so may cause damage to compressor.

Space Requirements



WARNING

Keep flammable materials and vapors, such as gasoline, away from refrigerator. Failure to do so can result in death, explosion, fire, or burns.

- To ensure proper ventilation for your refrigerator, allow for a 1/2" (1.3 cm) space at the top of your refrigerator.
- If your refrigerator has an ice maker, make sure you leave some extra space at the back to allow for the water line connection. The refrigerator can be flush with the back wall if you do not have an ice maker installed.
- If you are installing your refrigerator next to a fixed wall, leave 2 1/2" (6.4 cm) minimum on hinge side (depending on your model) to allow for the door to swing open 90°.

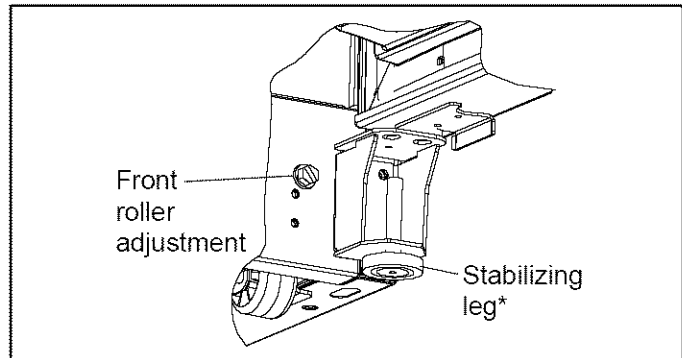
NOTE: Do not install the refrigerator near an oven, radiator, or other heat source. Do not install the refrigerator in a location where the temperature will fall below 55°F (13°C).

Leveling Refrigerator

Some installations may require door reversal to achieve full door swing. If so, proceed to "Door Reversal" section before leveling your refrigerator.

If your refrigerator requires ice maker water supply connection, proceed to "Connect ice maker water supply" section on page 6 before leveling your refrigerator.

1. Plug in power cord.
2. Move refrigerator into final location.
3. Level refrigerator using a level placed on top of the refrigerator.
 - Remove toe grille. Grille snaps off.
 - Turn roller adjustment screws to the right to raise cabinet, or to the left to lower cabinet. Front of refrigerator must be 1/4" (6 mm), or 1/2" bubble on your level, higher than the back of your refrigerator.
 - Make sure refrigerator cabinet is level from side to side by adjusting left and right roller adjustment screw.
 - Turn stabilizing leg (some models) to the right until firmly against floor.



*only on some models

Door Reversal



CAUTION

Protect soft vinyl or other flooring with cardboard, rugs or other protective material to avoid property damage.

Some installations may require door reversal to achieve full door swing. To reverse door swing direction perform the following steps:

Tools Required

Putty knife (blade covered by masking tape)

5/16" hex nut driver

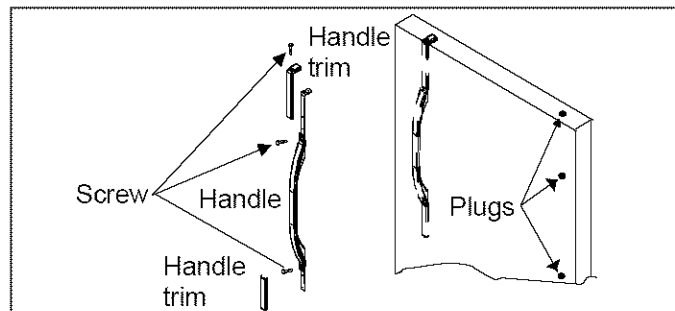
3/8" hex nut driver

1/4" hex nut driver

Phillips screwdriver

Blade screwdriver

1. Remove refrigerator handle.
 - Remove handle screw from top handle trim. Pry up edge of handle trim using a putty knife with the blade covered with masking tape. Remove handle from door by removing 1 remaining mounting screw at each end of handle.
 - Remove 1 plug from top hinge side of door and 2 from front hinge side of door. Replace 3 plugs in empty mounting holes.

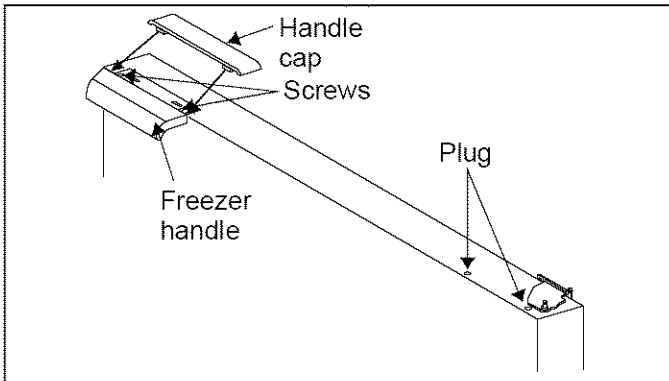


IMPORTANT: For plug removal requiring use of flat blade screwdriver or putty knife, **blade of tool must be covered with masking tape to avoid damage to refrigerator finish.** For plugs using a screwdriver- or nut driver- style head, use appropriate tool to avoid damage to plugs.

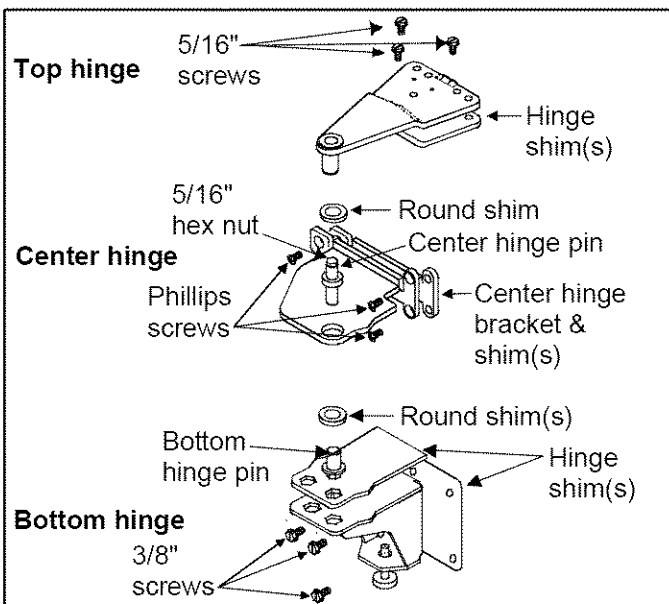
2. Remove freezer door handle.
 - Open freezer door 90°. Locate two notches on back of freezer handle. Insert flat screwdriver

blade or putty knife blade wrapped in masking tape. Pry up back edge of handle cap and remove from handle.

- Remove handle from door by removing two mounting screws.
- Remove 2 plugs from opposite side of freezer door and replace in empty mounting holes.

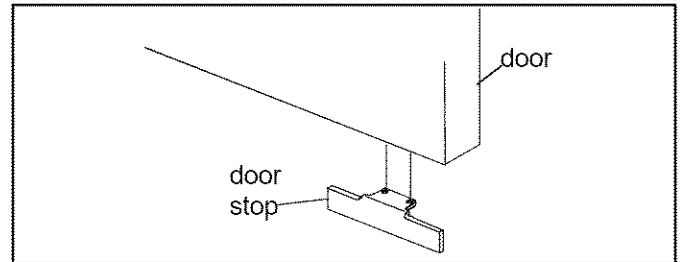


3. Remove top hinge cover. Top hinge cover snaps off. Remove top hinge and hinge shim using hex nut driver. Remove and retain all shims.
4. Remove refrigerator door by lifting door off of center hinge pin. Inspect door to verify all shims are with hinge pin.
5. Remove center hinge pin using hex nut driver. Due to tight fit of pin, firm pressure may need to be applied. Remove and retain all shims.
6. Remove freezer door by lifting door off bottom hinge.
7. Remove center hinge bracket and hinge shim using Phillips screwdriver.
8. Remove toe grille and bottom hinge cover. Both snap off.
9. Remove bottom hinge and hinge shims using hex nut driver. Remove and retain all shims.



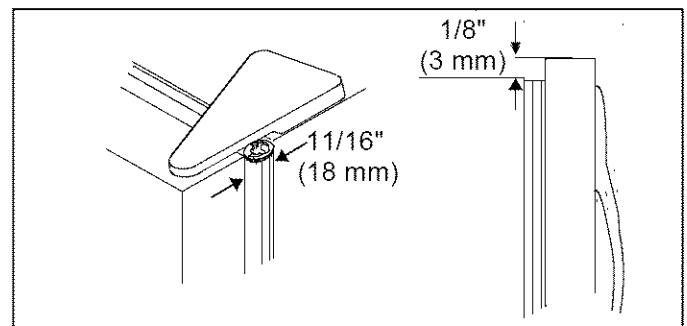
10. Reverse door stops.

- Locate door stop at bottom edge of refrigerator door. Unscrew two Phillips screws to remove door stop. Remove the two Phillips screws on opposite edge of door. Mount door stop on opposite side. Replace remaining screws in empty mounting holes.
- Repeat the above instructions to reverse door stop on freezer door.



11. Reverse doors by performing the following steps:

- Remove plugs and screws in opposite side of refrigerator cabinet. Insert in holes left from hinge removal.
12. Mount bottom, center, and top hinges with shims on opposite side of cabinet.
- Replace bottom hinge on opposite side of cabinet. Verify hinge shims are in position before screwing into place. After placing hinge pin into outside hole, replace round shims. Some bottom hinges may have plugs in holes. In case of this, remove plug from outside hole, put pin in hole, and replace plug in empty hole.
 - Replace center hinge bracket and hinge shim, and screw into place.
 - Hang freezer door.
 - Replace center hinge pin with hex nut driver. Make sure fit is tight. Replace round shims.
 - Replace top hinge and shims, but allow enough clearance to slide hinge side of refrigerator door into place. Tighten down top hinge to securely hold door.
 - Use a dime at top to space door $\frac{11}{16}$ " (18 mm) from cabinet.
 - Handle side of door should be approximately $\frac{1}{8}$ " (3 mm) higher than hinge side. **Door will become level when it is loaded with food.**

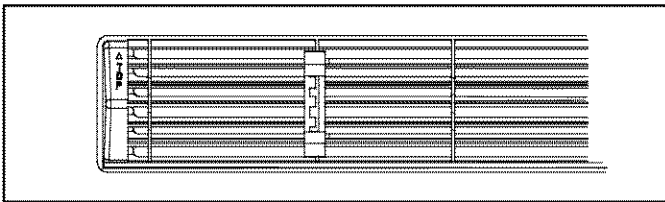


ENGLISH

13. Mount refrigerator handle on opposite side of door using mounting screws removed in previous step.
 - Snap handle trim into place and replace screw.
14. Mount freezer handle to opposite side of door using mounting screws removed in previous step.
 - Angle front edge of handle cap downward toward back lip of freezer handle. Verify bottom tab on freezer cap slides under rear lip of freezer handle. Snap rear edge of handle cap in place.
15. Check unit for proper leveling following instructions in section titled *Leveling Refrigerator*, starting with step 3.
16. Replace toe grille and bottom hinge cover.

Important: Look for arrow printed on inside of grille to insure proper placement.

- **Snap top portion into place first.** Press down on lower part of grille until bottom portion snaps into place.



17. Apply a thin coat of petroleum jelly to hinge side of gaskets on both the refrigerator and freezer door.

Connect ice maker water supply line (some models).

⚠ DANGER

To avoid electrical shock, which can cause severe personal injury or death, disconnect power to refrigerator before connecting water supply.

⚠ CAUTION

Observe the following to avoid property damage:

- Make sure water pressure to water valve is between 20 and 100 pounds per square inch.
- Tighten adapter fitting and nuts with pliers and wrenches. **Do not overtighten.**
- Check for water leaks and correct if necessary before returning refrigerator to normal location. After 24 hours, check again for leaks.

Important

- Before connecting water supply, contact a plumber to connect copper tubing to household plumbing in compliance with local codes and ordinances.
- **DO NOT use piercing type or 3/16" saddle valves!** Both reduce water flow, become clogged with time and in addition may cause leaks if repair is attempted. The correct type of shut-off valve requires a 1/4" hole to be drilled in the water supply pipe before to valve attachment.

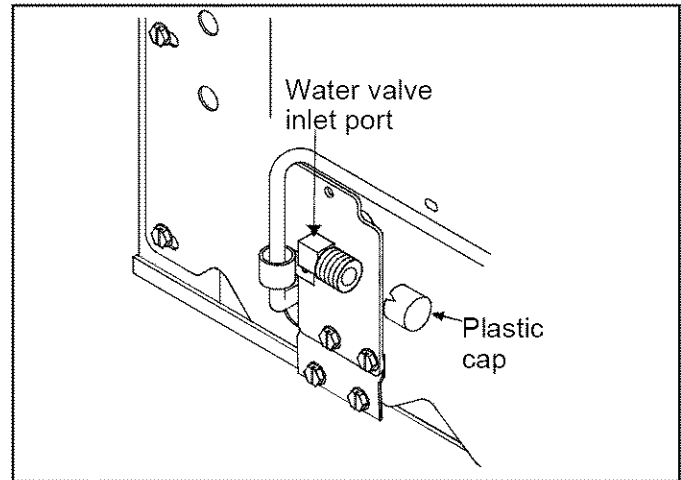
- Do not install copper tubing in area where temperature drops below 32°F(0°C).

Materials Required

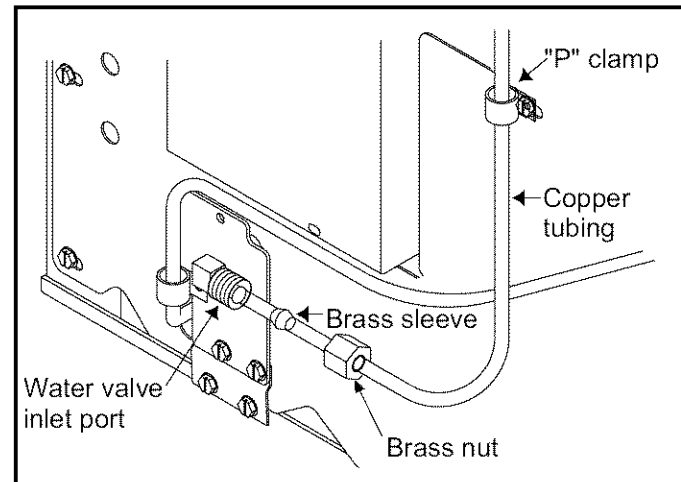
1/4" O.D. (6 mm) flexible copper tubing is required. Length of copper tubing must reach from water supply connection to water valve inlet port on back of refrigerator, plus additional 8 ft. (2 m) of tubing for a service loop. A service loop will allow refrigerator to be pulled away from the wall without disconnecting tubing.

Procedure

1. Remove plastic cap from water valve inlet port.



2. Place brass nut and brass sleeve on copper tubing. (Brass nut and sleeve are found in your literature packet.) Insert copper tubing into water valve inlet port. Connect brass nut on copper tubing to water valve inlet port. Make sure copper tubing is secure by pulling on copper tubing.



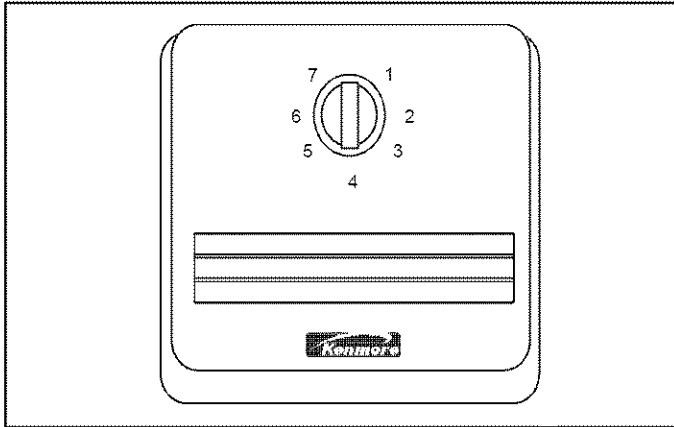
3. Turn on water supply to refrigerator and check for leaks. Correct any leaks at connection. Be careful not to overtighten connection.
4. Create a service loop using extreme care to avoid kinks. Secure copper tubing to refrigerator cabinet with a "P" clamp. It is important to secure copper tubing to refrigerator to avoid leaks when pushing refrigerator back into opening.

Controls

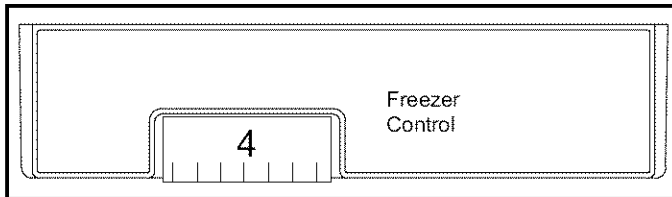
This refrigerator is designed to operate at normal household temperatures of 55° to 110°F (13° to 43°C).

Refrigerator and Freezer Controls

Refrigerator control is located on upper rear wall of refrigerator section.



Freezer control is located on right front ceiling of freezer section.



Setting Controls

When freezer control is set to *OFF*, neither refrigerator nor freezer sections will cool. Initially, set both controls to 4. Wait 24 hours for refrigerator and freezer sections to stabilize temperatures. After 24 hours, adjust controls, one number at a time, as desired. 1 is warmest setting and 7 is coldest.

Set controls precisely using a household thermometer with a temperature range between -5° to 50°F (-21° to 10°C).

Put thermometer snugly between frozen packages in freezer section. Wait 5–8 hours. If freezer temperature is not 0° to 2°F (-17° to -16°C), adjust freezer control 1 number at a time. Check again after 5–8 hours.

Put thermometer in a glass of water in middle of refrigerator section. Wait 5–8 hours. If refrigerator temperature is not 38° to 40°F (3° to 4°C), adjust refrigerator control 1 number at a time. Check again after 5–8 hours.

Refrigerator Features

Refrigerator Shelves

Shelves adjust to meet individual storage needs. Some models feature spillproof shelves and slide out shelves. Spillproof shelves hold minor spills for easier cleaning.

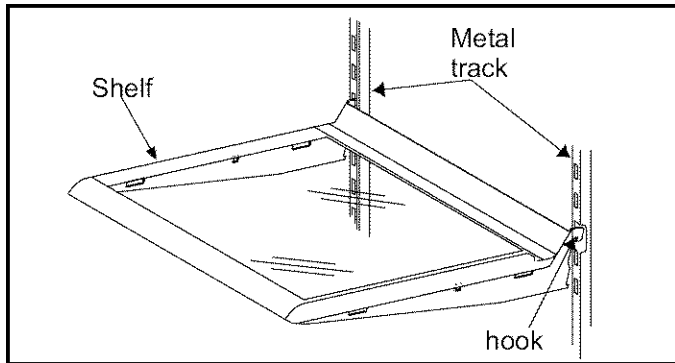
CAUTION

To avoid property damage, make sure shelf is secure before replacing items on shelf.

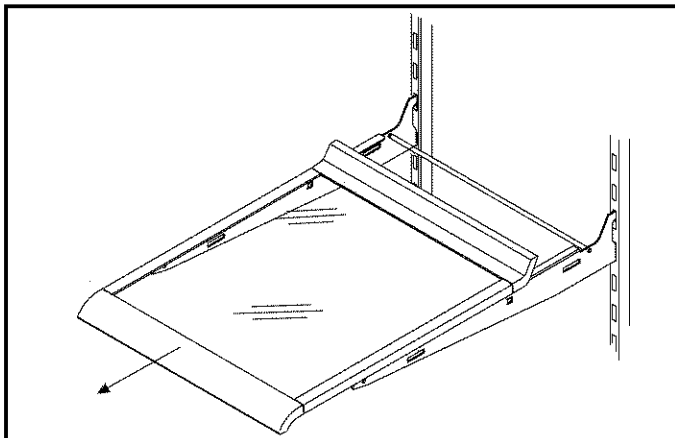
CAUTION

Handle tempered glass shelves carefully to avoid personal injury or property damage. Shelves may break suddenly if nicked, scratched, or exposed to sudden temperature change.

- Remove shelves by lifting up shelf front, releasing hooks from metal track, then pulling out.
- Replace shelves by inserting hooks into metal track and lowering front of shelf.



Slide out shelves pull forward for easy access to items in back.



Crisper and Temperature-Controlled Meat Drawer System (some models)

The combined design of the crisper and temperature-controlled meat drawers can keep food fresh longer by creating adjustable environments for produce, meats, and other food items.

The drawer in the left side of the unit(A) can serve as either a crisper drawer or a temperature-controlled meat drawer.

To use as a crisper drawer:

1. Set temperature control(b) to *COLD*.
2. Set humidity control(a) to desired level to best suit contents.
3. Slide control to *HIGH* for produce with leaves such as lettuce, spinach or cabbage.
4. Slide control to *LOW* for produce with skins such as cauliflower, corn or tomatoes.

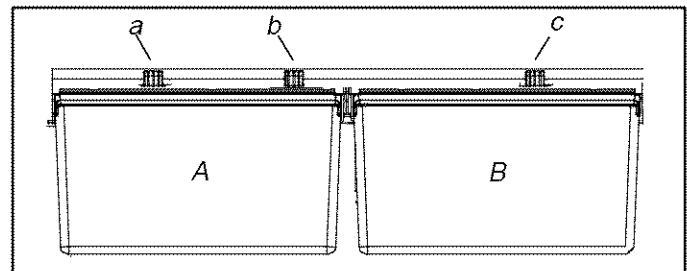
To use as temperature-controlled meat drawer:

1. Set humidity control(a) to *HIGH*.
2. Set temperature control(b) to *COLD* for normal refrigerator temperature and to *COLDER* for colder temperature. Adjustment of the the temperature control(b) allows for more or less freezer air flow around the pan. Ice crystals may form on drawer or food on *COLDER* setting.

The drawer in the right side of the unit(B) can be used for the storage of different kinds of produce with the use of a humidity control design. The crisper drawer features an adjustable humidity level control(c).

To set humidity controls for crisper drawer(B):

- Slide control to *HIGH* for produce with leaves such as lettuce, spinach or cabbage.
- Slide control to *LOW* for produce with skins such as cauliflower, corn or tomatoes.



CAUTION

To avoid damage to device, please follow removal and installation instructions carefully. Instructions followed incorrectly, or in the wrong order, may result in part breakage and device malfunction.

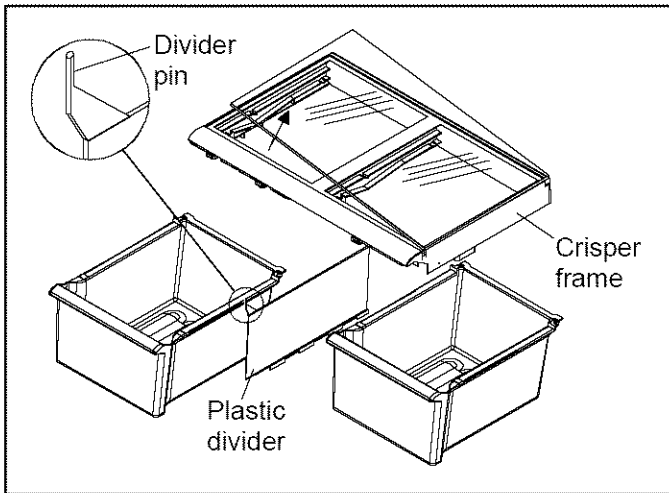
CAUTION

Handle tempered glass shelves carefully to avoid personal injury or property damage. Shelves may break suddenly if nicked, scratched, or exposed to sudden temperature change.

ENGLISH

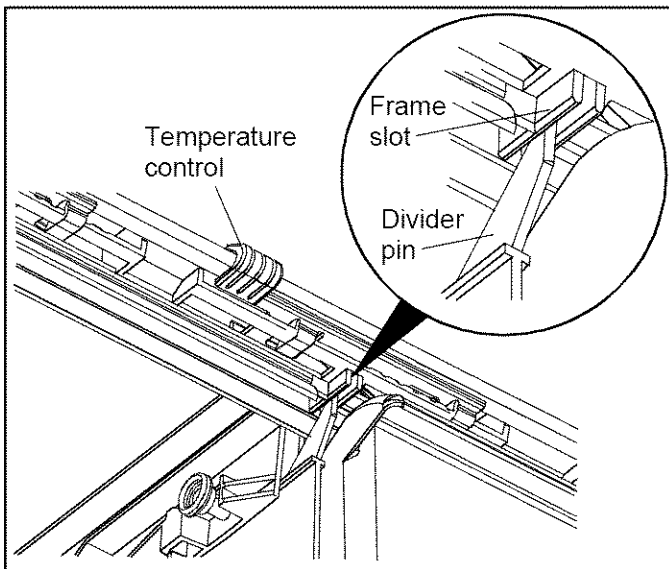
Remove shelf and crisper drawers by completing the following steps:

1. Open left crisper.
2. Remove glass crisper top by gently pushing up from underneath. Tilt up end and pull out.
3. To remove crisper drawers lift crisper shelf by front plastic molding and remove plastic divider. **Make sure divider pin is free from frame assembly before removing from unit.** Slide crisper drawers out.
4. Remove crisper frame by raising frame by front plastic molding and lifting free from grooves in the cabinet rail assembly. Pull forward and out of unit.



To replace drawers, please follow the instructions below:

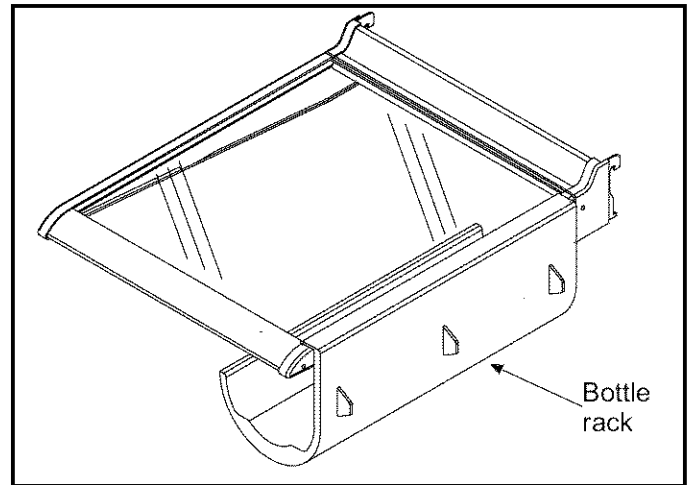
1. Set temperature control to *COLD*.
2. Lift crisper frame by front plastic molding.
3. Slide plastic divider into slide rail on bottom of drawer assembly.
4. Lower frame so that divider pin fits into slot beneath plastic molding.



Bottle Rack (some models)

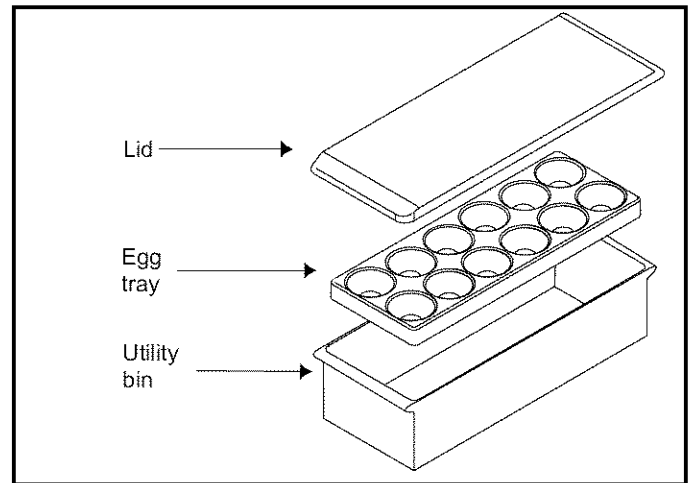
Bottle rack provides convenient storage for a large bottle, eggs, etc.

- Hang rack by hooking over side of shelf.



Covered Utility Bin (some models)

The utility bin has a lid and removable egg tray. When tray is removed, bucket will accept standard egg carton, ice, etc.

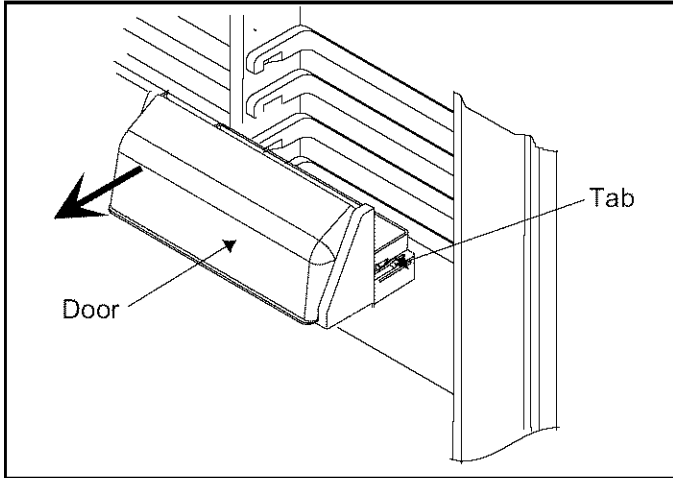


ENGLISH

Dairy Compartment (some models)

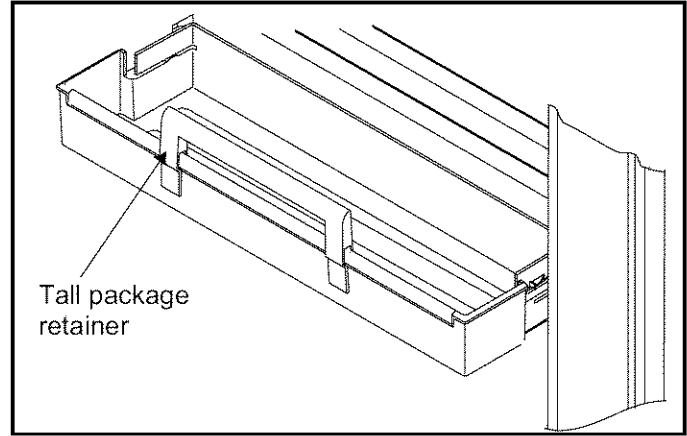
Dairy compartment provide convenient storage for butter, cheese, etc.

- Remove dairy compartment by lifting door, pushing tabs of shelf down on both sides, and pulling out.
- Replace dairy compartments by sliding in until tabs lock into place, then lower door.



Tall Package Retainer (some models)

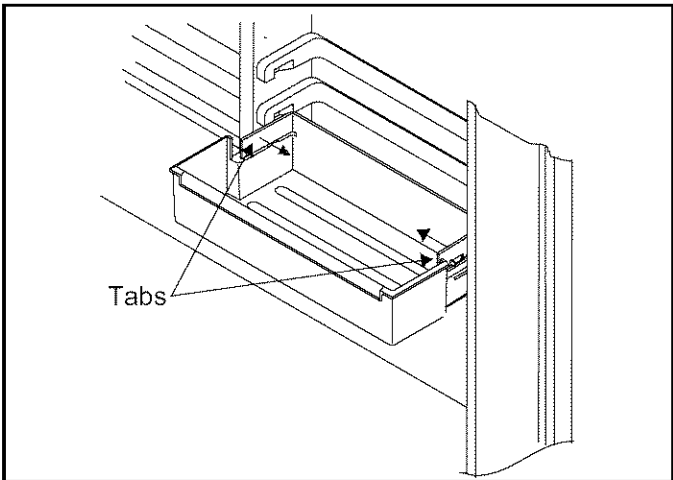
Tall package retainer keeps tall items secure. Retainer fits on front edge of any refrigerator door bucket or door shelf.



Door Buckets

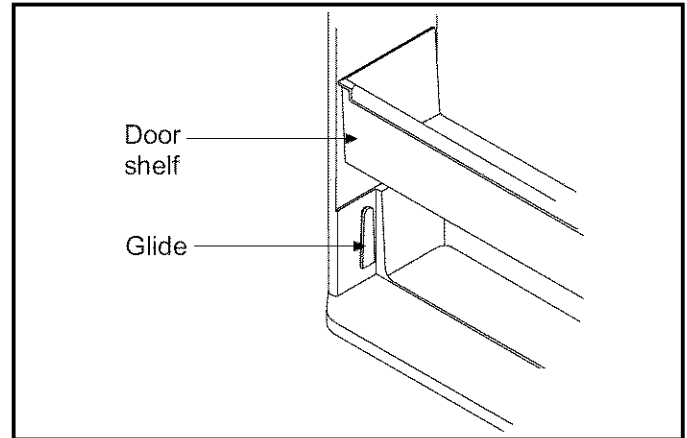
Door buckets adjust to meet individual storage needs.

- Remove door buckets by pushing tabs on both sides of shelves toward center and pulling bucket out.
- Replace door buckets by sliding in until tabs lock into place.



Door Shelves

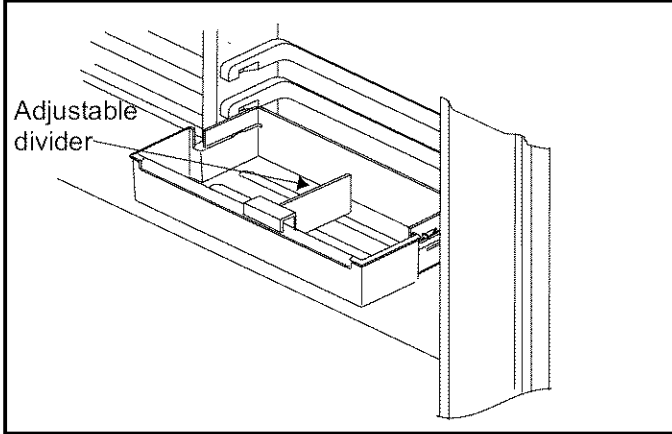
- Remove door shelves by lifting ends and pulling out.
- Replace door shelves by placing shelf on glides and sliding down.



Freezer Features

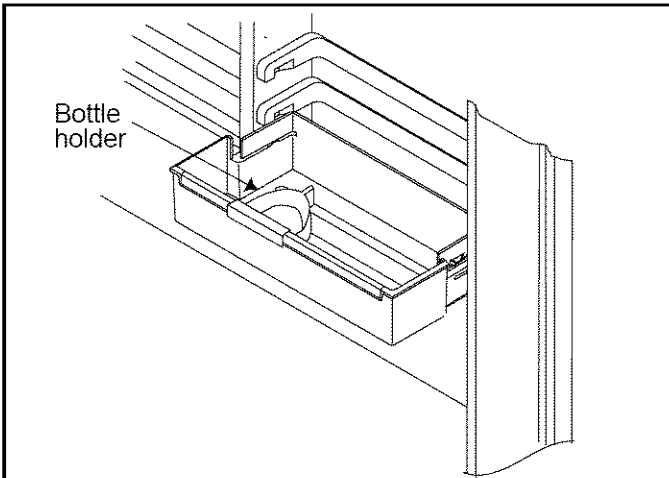
Adjustable Divider (some models)

Adjustable divider keeps items in place and adjusts to meet individual storage needs. Divider fits in any door bucket or door shelf.



Bottle Holder (some models)

Bottle holder keeps items in place and adjusts to meet individual storage needs. Bottle holder fits in any door bucket or door shelf.

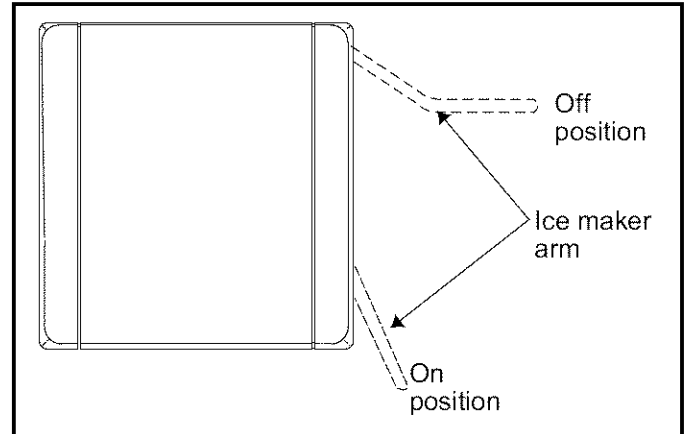


Frost-Free System

The refrigerator and freezer sections are completely frost-free. Defrosting is automatic under normal conditions. Refrigerator and freezer sections never have to be defrosted.

Automatic Ice Maker (some models)

- Make sure ice bucket is in place and ice maker arm is down.



- After freezer section reaches normal temperature, the ice maker fills with water and begins operating. Allow 24–48 hours after installation before first harvest of ice. Ice maker produces 7 to 9 harvests of ice in a 24-hour period under ideal conditions.
- After ice is formed, ice maker drops ice cubes into ice storage bucket. During ice production, ice maker arm raises and lowers. When ice storage bucket is full, ice maker arm turns ice maker off.

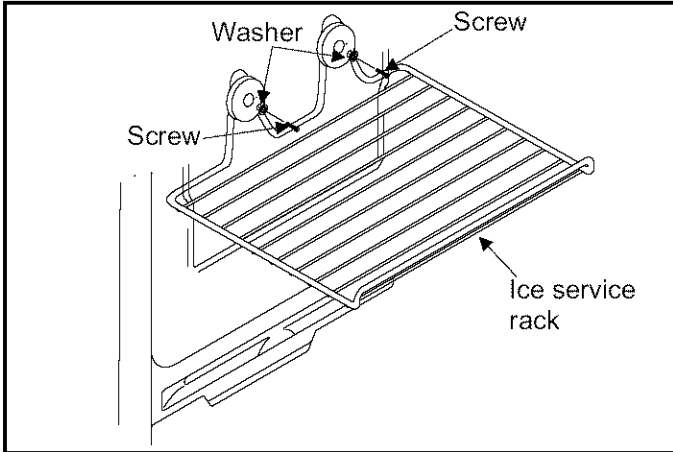
Note: Discard first 3 harvests of ice so any impurities left in the water line after installation are not consumed.

- If you wish to stop automatic ice production lift ice maker arm. A definite click is heard when proper position is reached. Ice maker arm will remain in that position until pushed down.

ENGLISH

Ice Service Rack (some models)

Install ice service rack by placing ice service rack on washers and sliding down.



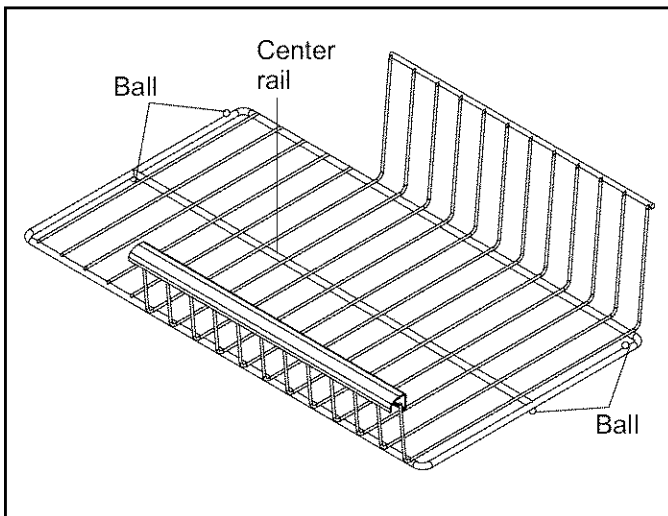
CAUTION

Make sure shelf is secure before placing items on shelf to avoid property damage.

Slideout Shelf (some models)

Slide out shelf pulls forward for easy access to items in back.

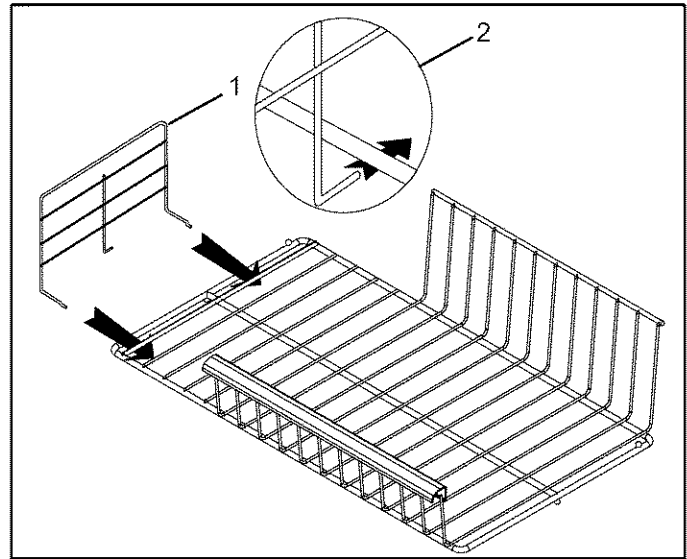
- Remove slideout shelf by sliding forward until ball beneath center rail catches in molded groove.
- Grasp shelf by center rail, pull up, and remove.
- Slide in until ball falls into molded groove.



Vertical Shelf Divider (some models)

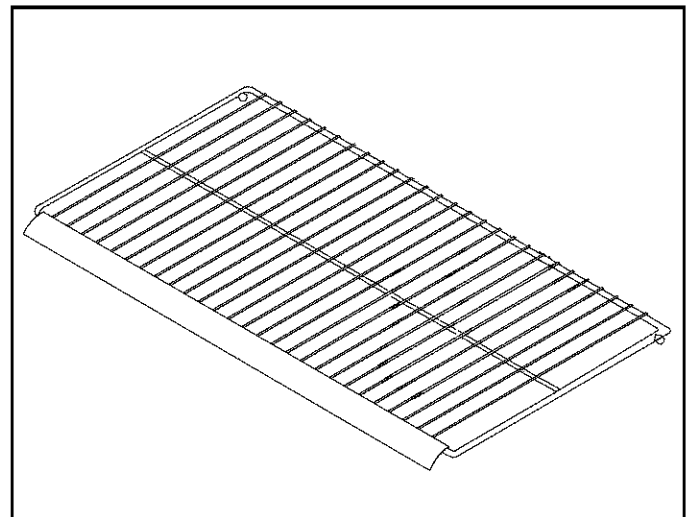
Install vertical shelf divider by completing the following steps:

1. Slide prongs of shelf divider beneath desired grill work, slightly off-center from center rail.
2. Press top of divider down and slide hook assembly beneath center rail.



Fixed Wire Shelf (some models)

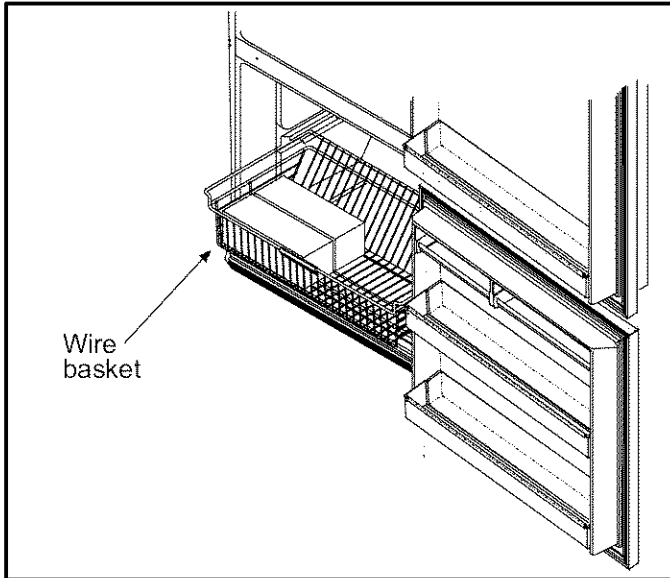
- Remove wire shelf by pulling out. A sharp tug may be necessary.
- Replace wire shelf by sliding in until back locks in place.



Wire Basket

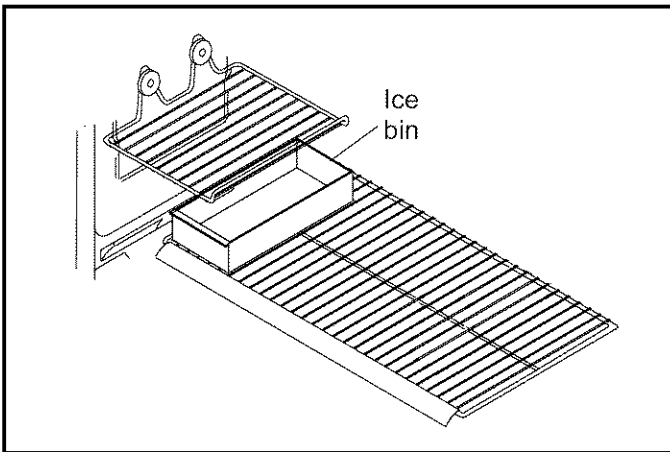
Wire basket slides out for easy access to items in back.

- Remove wire basket by lifting and pulling out.
- Replace wire basket by sliding in.



Ice Bin (some models)

Ice bin sits below the ice service rack on the wire freezer shelf.



WARNING

Disconnect power to refrigerator before cleaning to avoid electrical shock which can cause severe personal injury or death. After cleaning, restore power.

CAUTION

Read and follow all manufacturer's cleaning directions to avoid personal injury or property damage.

General Cleaning

1. Wash surfaces and exterior with 4 tablespoons baking soda dissolved in 1 quart warm water and a soft, clean cloth.
2. Rinse surfaces and exterior with warm water. Dry surfaces with a soft, clean cloth.
3. **DO NOT USE** the following items:
 - abrasive or harsh cleaners, ammonia, chlorine bleach, etc.
 - concentrated detergents or solvents
 - metal scouring padsThese items can scratch, crack, and discolor surfaces.
4. Do not place buckets, shelves, etc., in dishwasher.

Adhesives

1. Remove adhesive residue from refrigerator surfaces by rubbing toothpaste into adhesive with fingers until adhesive loosens.
2. Rinse surface with warm water. Dry surface with a soft, clean cloth.

Door Gaskets

1. Clean door gaskets every 3 months according to General Cleaning instructions. Clean any spills immediately.
2. Apply a light film of petroleum jelly to keep gaskets pliable.

Condenser Coils

Clean condenser coil behind toe grille every 3 months to ensure maximum performance of refrigerator.

Accumulated dust and lint may cause the following:

- reduced cooling performance
- increased energy usage
- premature part failure

1. Remove toe grille by holding ends and pulling away from refrigerator.
2. Clean front surface of condenser coil with a vacuum cleaner hose nozzle.
3. Replace toe grille by inserting clips in holes and snapping in.

Light Bulb Replacement

4. Raise stabilizing legs (some models) by turning counterclockwise.



CAUTION

Protect soft vinyl or other flooring with cardboard, rugs or other protective material to avoid property damage.

5. Pull refrigerator away from wall. Run a vacuum brush across grille on back of refrigerator.

Glass Shelves



CAUTION

Handle tempered glass shelves carefully to avoid personal injury or property damage. Shelves may break suddenly if nicked, scratched, or exposed to sudden temperature change.

Remove shelf by lifting front, releasing hooks from metal track then pulling out. Place shelf on a towel. Allow shelf to adjust to room temperature before cleaning.

Clean crevices by completing the following:

1. Dilute mild detergent and brush solution into crevices using a plastic bristle brush. Let sit for 5 minutes.
2. Spray warm water into crevices using faucet spray attachment.
3. Dry shelf thoroughly and replace shelf by inserting hooks into metal track and lowering it from the front.

Odor Removal

1. Remove all food and disconnect power to refrigerator.
2. Clean all interior surfaces including ceiling, floor, and walls according to General Cleaning instructions above. Pay special attention to corners, crevices, and grooves. Include all drawers, shelves, and gaskets.
3. Connect power to refrigerator and return food to refrigerator. Wash and dry all containers. Wrap foods in tightly sealed containers to prevent further odor. After 24 hours, check if odor has been eliminated.

Complete steps 4–9 if odor has not been eliminated.

4. Place crispers on top shelf of refrigerator section. Pack refrigerator and freezer sections, including doors, with crumpled sheets of newspaper.
5. Place charcoal briquettes randomly throughout newspaper.
6. Close doors and let stand 24–48 hours.
7. Remove charcoal briquettes and newspapers.
8. Complete steps 2–3.

If odor is still not eliminated, contact a Sears Service Center.



WARNING

Disconnect power to refrigerator before replacing light bulb to avoid electrical shock which can cause severe personal injury or death. After replacing light bulb, restore power.

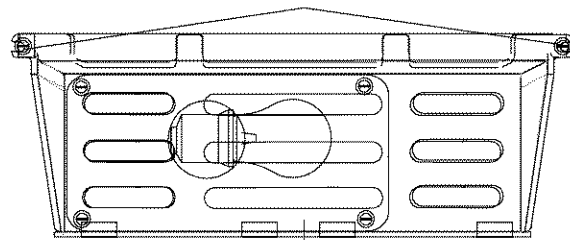


CAUTION

Observe the following to avoid personal injury or property damage.

- Allow light bulbs to cool
 - Wear gloves when replacing light bulb.
-
- Remove light bulb cover by removing 1/4" hex nut screws. Replace with appliance bulb **no greater than 60 watts.**
 - Replace light bulb cover by replacing 1/4" hex nut screws.

1/4" hex nut screws



Light cover

Vacation Tips

Complete the following steps for short vacations.

1. Remove perishable foods.
2. If an ice maker is installed, move ice maker arm to *Off* position. (See “Automatic Ice Maker” section page 12)

Complete the following steps for long vacations.

1. Empty refrigerator and freezer sections.
2. Unplug refrigerator.
3. Clean refrigerator and door gaskets according to General Cleaning instructions in “Care and Cleaning” section.
4. Prop doors open, so air can circulate inside.
5. If an ice maker is installed, turn off water supply to refrigerator and move ice maker arm to *Off* position. (See “Automatic Ice Maker” section page 12)

Energy Tips

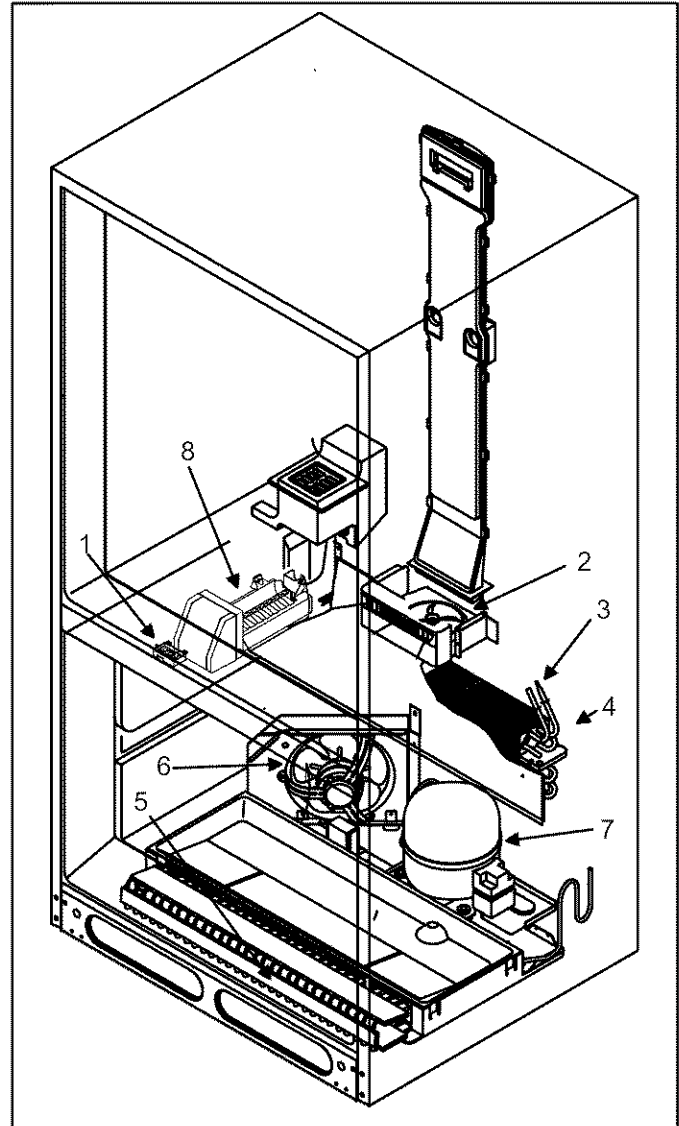
This refrigerator is designed to be one of the most energy efficient refrigerators available. Reduce energy use by observing the following.

- Operate in normal household temperatures of 55° to 110°F (13° to 43°C) away from heat sources and direct sunlight.
- Set refrigerator, freezer, and temperature controlled meat drawer system controls no colder than necessary.
- Keep freezer section full.
- Keep door gaskets clean and pliable. Replace gaskets if worn.
- Keep condenser coils clean.

Normal Operating Sounds

This new refrigerator may be replacing a differently designed, less efficient or smaller refrigerator. Today's refrigerators have new features and are more energy efficient. As a result, certain sounds may be unfamiliar. These sounds are normal and will soon become familiar to you. They also indicate refrigerator is operating and performing as designed.

1. **Freezer control** clicks when starting or stopping compressor.
 2. **Freezer fan** air rushes and whirs.
 3. **Sealed system** (evaporator and heat exchanger) refrigerant flow gurgles, pops or sounds like boiling water.
 4. **Defrost heater** sizzles, hisses or pops.
 5. **Defrost timer** sounds like an electric clock and snaps in and out of defrost cycle.
 6. **Condenser fan** air rushes and whirs.
 7. **Compressor** has a high pitched hum or pulsating sound and cycles on and off.
 8. **Ice cubes** from ice maker (some models) drop into ice bucket.
 9. **Ice maker water valve hookup** (some models) buzzes when ice maker fills with water. This occurs whether or not refrigerator is connected to water supply. If refrigerator is not connected to water supply, stop sound by raising ice maker arm to *Off* position. Ice maker water valve hookup is located behind condenser fan in back of refrigerator.
- Note:** Foam insulation is very energy efficient and has excellent insulating capabilities. However, foam insulation is not as sound absorbent as previously used fiberglass insulation.



Before Calling For Service

Problem	Solution
Refrigerator does not operate.	<ul style="list-style-type: none"> • Make sure freezer control is on. • Make sure refrigerator is plugged in. If not, firmly plug the cord into a live outlet with proper voltage. • Check fuse or circuit breaker. Plug in another item at that wall outlet. If outlet does not work, replace the fuse or reset the circuit. • If freezer control is on, light works but 2 fans and compressor are not operating, refrigerator may be in defrost cycle. Wait 40 minutes to see if refrigerator restarts.
Refrigerator still will not operate.	<ul style="list-style-type: none"> • Unplug refrigerator. Transfer food to another refrigerator or place dry ice in freezer section to preserve food. Call for service.
Food temperature appears too warm.	<ul style="list-style-type: none"> • See above sections. • Allow time for recently added warm food to reach refrigerator or freezer temperature. Adding food warms the refrigerator. It can take a few hours for the refrigerator to return to normal temperature. • Check gaskets for proper seal. Gaskets should seal tightly to cabinet. • Clean condenser coils. See "Condenser Coils" instructions in "Care and Cleaning" section. • Adjust refrigerator and or freezer control. See "Setting Controls" instructions in "Controls" section. • Freezer or refrigerator light stays on. If light stays on, call service. • Return air vents behind crisper are blocked restricting airflow. Locate return air vent behind crispers and remove any debris that blocks vents or restricts airflow.
Temperature controlled meat drawer temperature is too warm.	<ul style="list-style-type: none"> • Slide control to colder setting. • Adjust freezer control to colder setting. See "Setting Controls" instructions of "Controls" section. • Verify temperature controlled meat drawer cap has been moved if drawer has been moved from left to right side of cabinet. See "Temperature Controlled Meat Drawer" section.
Food temperature is too cold.	<ul style="list-style-type: none"> • Clean condenser coils. See "Condenser Coils" instructions in "Care and Cleaning" section. • Adjust refrigerator control. See "Setting Controls" instructions in "Controls" section. • Adjust freezer control to warmer setting. See "Setting Controls" instructions in "Controls" section. Allow several hours for temperature to adjust. • Verify plastic cap is in place near temperature controlled meat drawer. See "Temperature Controlled Meat Drawer" section.
Refrigerator runs too frequently.	<ul style="list-style-type: none"> • It may be normal to maintain constant temperature. • Doors have been opened frequently or for an extended period of time. When the door is opened warm humid air is allowed into the refrigerator. The more the door is opened the more warm air the refrigerator must cool. • Allow time for recently added warm food to reach refrigerator or freezer temperature. It can take a few hours for the refrigerator to return to normal temperature. • Clean condenser coils. See "Condenser Coils" instructions in "Care and Cleaning" section. • Adjust freezer control. See "Setting Controls" instructions in "Controls" section. • Check gaskets for proper seal. Gaskets should seal tightly to cabinet. • Freezer light stays on. If light stays on, call service • Make sure refrigerator is level. See "Leveling Refrigerator" section of Installation Instructions.

Water droplets form on inside of refrigerator.	<ul style="list-style-type: none"> • It is normal during high humidity periods or if doors have been opened frequently. • Wrap food tightly and wipe off damp containers prior to storing in the refrigerator to avoid moisture accumulation.
Water droplets form on outside of refrigerator.	<ul style="list-style-type: none"> • Check door seals for proper seal. Gaskets should seal tightly to cabinet. • It is normal during high humidity periods or if doors have been opened frequently.
Temperature controlled meat drawer or crisper drawer does not close freely (some models).	<ul style="list-style-type: none"> • Check for a package that may prevent drawer from closing properly. • Confirm drawer is in proper position. • Clean drawer channels with warm, soapy water. Rinse and dry thoroughly. • Apply a thin layer of petroleum jelly to drawer channels. • Confirm refrigerator is level.
Refrigerator has an odor.	<ul style="list-style-type: none"> • See “Odor Removal” instructions in “Care and Cleaning” section.
Refrigerator makes unfamiliar sounds or seems too loud.	<ul style="list-style-type: none"> • It may be normal. See “Normal Operating Sounds” section.
Ice cubes have an odor.	<ul style="list-style-type: none"> • See “Odor Removal” instructions in “Care and Cleaning” section. • Ice maker was recently installed. Discard first few batches of ice to avoid discolored or off-flavored ice. • Food has not been wrapped tightly in either refrigerator or freezer compartment. Rewrap foods since odors may migrate to the ice if food is not wrapped properly. • Discard ice and clean ice bucket or trays more frequently. Ice cubes are porous and absorb odors easily. • Water supply contains minerals such as sulfur. In some situations a filter may need to be installed to eliminate taste and odor problems.
Ice cubes stick together or “shrink”.	<ul style="list-style-type: none"> • Empty ice cube bucket or trays more frequently. If used infrequently, ice cubes may stick together or shrink.
Ice maker is not producing ice.	<ul style="list-style-type: none"> • Water pressure may be too low or high. Ice maker requires a water pressure of 20-120 psi to function properly. • Confirm ice maker arm is down. See “Automatic Ice Maker” section. • Confirm household water supply is reaching water valve. Make sure the water valve shut off is fully turned on. • Confirm ice maker wiring harness is inserted completely in proper holes. • Check for kinks in copper or plastic tubing. Remove kinks or replace tubing. • Check electrical connections to water valve coil and connector block on refrigerator cabinet. • If a water filter has been installed on the water line outside the refrigerator, check the filter for clogs or improper installation of the filter.
Ice maker is not producing enough ice.	<ul style="list-style-type: none"> • Ice maker has just recently been installed or a large amount of ice has just been used. Wait 24 hours for ice production to begin and for ice maker to restock after emptied. • Confirm household water supply is reaching water valve. Make sure the water valve shut off is fully turned on. • Piercing type or $\frac{3}{16}$” saddle valve was used for hookup. Both reduce water flow and may become clogged with time. Replace these valves with correct type of saddle valve requiring $\frac{1}{4}$” hole to be drilled in water supply pipe prior to valve attachment. • Check for kinks in copper or plastic tubing. Remove kinks or replace tubing. • Confirm freezer section is operating at proper temperature. Freezer must be cold enough to produce ice. See “Setting Controls” section.
Ice forms in inlet tube to ice maker.	<ul style="list-style-type: none"> • Check water pressure. Low water pressure causes valves to leak.

ENGLISH

Requerimientos eléctricos

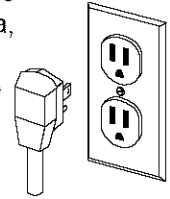
⚠ Reconozca este símbolo como precaución de seguridad.

⚠ ADVERTENCIA

Instrucciones para conexión a tierra — Este refrigerador está equipado con un enchufe de tres puntas (para conexión a tierra) para proveer protección contra posibles riesgos de descargas eléctricas. Si tiene un tomacorriente de dos orificios, comuníquese con un electricista calificado para que reemplace este tomacorriente de pared de dos orificios por otro de tres orificios correctamente conectado a tierra, en conformidad con el Código Eléctrico Nacional.

Este refrigerador ha sido diseñado para que funcione con una línea separada de 103 a 126 voltios, 15 amperios y 60 ciclos.

No corte ni elimine, bajo ninguna circunstancia, la punta redonda de conexión a tierra del enchufe. El refrigerador debe estar conectado a tierra en todo momento. No quite el rótulo de advertencia del cordón eléctrico.



⚠ ADVERTENCIA: No utilice un adaptador de dos puntas. No utilice un cable de extensión.

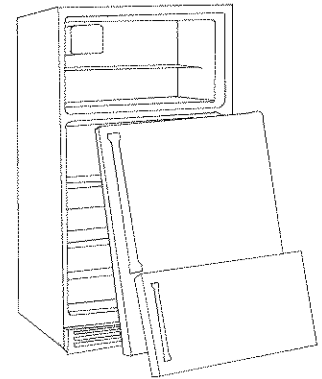
⚠ PELIGRO

Forma apropiada de desechar su refrigerador

IMPORTANTE: Los niños atrapados y asfixiados en refrigeradores no es cosa del pasado. Los refrigeradores que se arrumban o abandonan, aun cuando sea por "solo unos cuantos días", continúan siendo un peligro. Si desecha un refrigerador viejo, sírvase seguir las siguientes instrucciones para ayudar a prevenir un accidente.

ANTES DE TIRAR SU REFRIGERADOR O CONGELADOR VIEJO:

- **Quítele las puertas.**
- **Déjele las repisas puestas para que los niños no puedan meterse fácilmente.**



Garantía

Garantía completa de un año en el refrigerador

Por un año a partir de la fecha de compra, cuando a este refrigerador se le da el funcionamiento y el mantenimiento indicados en las instrucciones adjuntas o proporcionadas con él, Sears reparará este refrigerador, sin cargo alguno, por defectos de fabricación y materiales.

Garantía completa de cinco años en el sistema de refrigeración sellado

Por cinco años a partir de la fecha de compra, cuando a este refrigerador se le da el funcionamiento y el mantenimiento indicados en las instrucciones adjuntas o proporcionadas con él, Sears reparará el sistema sellado (que consiste del refrigerador, tubería de conexión y motor del compresor) sin cargo alguno, por defectos de fabricación y materiales.

La cobertura de garantía anterior se aplica sólo a los refrigeradores que se usan para almacenar alimentos en hogares particulares.

El servicio de garantía está a su disposición comunicándose al 1-800-4-MY-HOME (469-4663).

Esta garantía se aplica solamente mientras este producto se use en los Estados Unidos.

Esta garantía otorga derechos legales específicos y usted puede tener también otros derechos, los cuales pueden variar en distintos estados.

Sears, Roebuck y Co., Depto. 817WA, Hoffman Estates, IL 60179 EE.U.U.

Lea y conserve estas instrucciones

Registre el número de modelo y de serie en el espacio que se proporciona más adelante 31; estos números se encuentran localizados en la placa de serie en la pared superior izquierda del compartimiento del refrigerador.

Número de modelo: 596 _____

Número de serie: _____

Fecha de compra: _____

Contenido

Requerimientos eléctricos	20
Forma apropiada de desechar su refrigerador	20
Garantía	20
Lea y conserve estas instrucciones	20
Lista de verificación de la instalación	21
Instrucciones para la instalación	22
Requerimientos de espacio	22
Para nivelar el refrigerador	22
Para invertir las puertas	22
Conexión para la línea de suministro de agua de la máquina de hielos (en algunos modelos)	24
Controles	25
Controles del refrigerador y del congelador	25
Ajuste de los controles	25
Características del refrigerador	26
Repisas del refrigerador	26
Sistema de cajón de temperatura controlada para carnes y de cajón para frutas y verduras (en algunos modelos)	26
Compartimiento para botellas (en algunos modelos)	28
Compartimiento cubierto para almacenamiento (en algunos modelos)	28
Compartimientos para productos lácteos (en algunos modelos)	28
Compartimientos de la puerta	28
Depósito para paquetes altos	29
Repisas de la puerta	29
Separador ajustable (en algunos modelos)	29
Portabotellas	29
Características del congelador	30
Sistema sin escarcha (Frost-Free)	30
Máquina de hielo automática	30
Rejilla para servicio de hielo	30
Repisa deslizable(en algunos modelos)	30
Separador vertical de repisa (en algunos modelos)	31
Repisa de alambre	31
Canasta de alambre	31
Depósito de hielo	31
Cuidado y limpieza	32
Limpieza general	32
Adhesivos	32
Empaques de la puerta	32
Serpentines del condensador	32
Repisas de vidrio	32
Eliminación de olores	32
Reemplazo de focos	33
Sugerencias para cuando sale de vacaciones	33
Sugerencias para conservar energía	33
Sonidos normales de funcionamiento	34
Antes de llamar para solicitar servicio	35

Nota:

La traducción algunas veces puede causar variaciones en el significado. En todos los casos cuando el significado varíe, el más preciso será el de la versión en inglés de este documento.

Lista de verificación de la instalación

Compruebe que se haya realizado lo siguiente para asegurar el funcionamiento apropiado del refrigerador.

Puertas

- Las asas están conectadas firmemente a las puertas.
- El lado del refrigerador que tiene el asa está aproximadamente $\frac{1}{8}$ " (3 mm) más alto que el lado donde están las bisagras. (Vea las instrucciones de instalación en la página 6.)
- Las puertas se sellan completamente al gabinete del refrigerador.

Nivelación

- El refrigerador está inclinado $\frac{1}{4}$ " (6 mm) de adelante hacia atrás y nivelado de lado a lado.

Máquina para hacer hielo

- La línea de suministro de agua al refrigerador está conectada y abierta.
- No hay goteras en la conexión entre la línea de suministro de la casa y el refrigerador. (24 horas más tarde el consumidor debe revisar la conexión para ver si existen goteras.)
- El brazo de la máquina para hacer el hielo está en la posición para producir hielo. (La producción inicial de hielo puede tardar hasta 24 horas.)

Electricidad

- Se usa un tomacorriente de pared con conexión a tierra para enchufes de tres puntas, para conectar el refrigerador.

Instrucciones para la instalación

La instalación apropiada del refrigerador asegurará el funcionamiento más eficiente.

Requerimientos de espacio



PRECAUCIÓN

Para evitar el mal funcionamiento de la unidad, asegúrese que la unidad esté almacenada en posición vertical cuando menos por 24 horas antes de conectarla a un tomacorriente eléctrico. El no hacerlo podría causarle daños al compresor.



ADVERTENCIA

Mantenga los materiales y los vapores inflamables, como gasolina, lejos del refrigerador. El no hacerlo puede causar como resultado la muerte, una explosión, un incendio o quemaduras.

- Para asegurar la ventilación apropiada del refrigerador, deje un espacio de $\frac{1}{2}$ " (1.3 cm) en la parte superior del refrigerador.
- Si su refrigerador tiene una máquina para hacer hielo, asegúrese de dejar espacio adicional en la parte posterior para la conexión de la línea de agua. El refrigerador puede estar al ras con la pared posterior si no instala una máquina para hacer hielo.
- Si se instala el refrigerador junto a una pared fija, deje un espacio de $2\frac{1}{2}$ " (6.4 cm) en cada lado (dependiendo del modelo) para permitir que las puertas se abran 90°.

NOTA: No instale el refrigerador junto a un horno, radiador u otra fuente de calor, ni en un área donde la temperatura bajará a menos de 55° F (13° C).

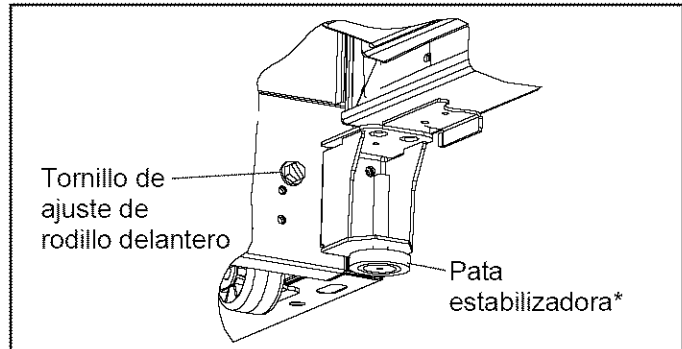
Para nivelar el refrigerador

Algunas instalaciones pueden requerir que las puertas se tengan que invertir para que puedan abrirse completamente. Si es así, continúe con la sección "Para invertir las puertas" antes de nivelar el refrigerador.

Si su refrigerador requiere que se conecte la máquina de hielo, continúe con la sección "Conexión para la línea de suministro de agua para la máquina de hielo" en la página 6 antes de nivelar el refrigerador.

1. Enchufe el cordón eléctrico.
2. Mueva el refrigerador a la ubicación final.
3. Nivele el refrigerador con un nivelador colocado encima del refrigerador.
 - Quite la parrilla inferior y la cubierta de la bisagra inferior si el refrigerador tiene una pata estabilizadora.
 - Gire los tornillos de ajuste de rodillo a la derecha para levantar el gabinete, o a la izquierda para bajarlo. El frente del refrigerador debe estar $\frac{1}{4}$ " (6 mm), ó $\frac{1}{2}$ burbuja del nivelador, más alto que la parte posterior del refrigerador.

- Asegúrese de que el gabinete del refrigerador esté nivelado de lado a lado ajustando los tornillos de ajuste de rodillo izquierdo y derecho.
- Gire la rosca estabilizadora (en algunos modelos) a la derecha hasta que quede firme contra el piso.



*sólo en algunos modelos

Para invertir las puertas



PRECAUCIÓN

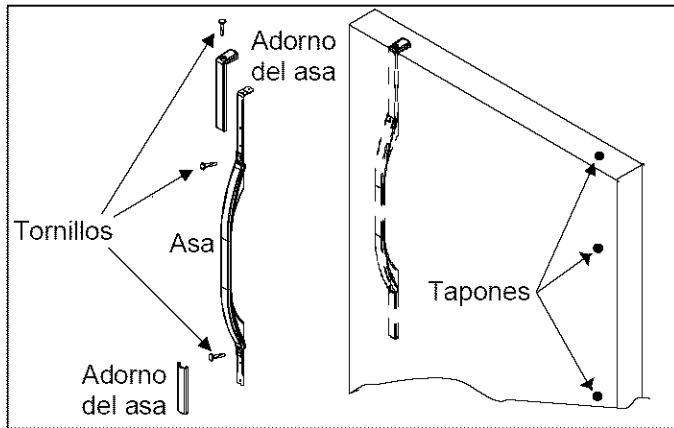
Proteja el vinilo blando u otros acabados de piso con cartones, tapetes u otros materiales protectores para evitar daños materiales.

Algunas instalaciones podrían requerir la inversión de la puerta para que pueda abrirse completamente. Para invertir la dirección del giro de la puerta realice los pasos siguientes:

Herramientas necesarias

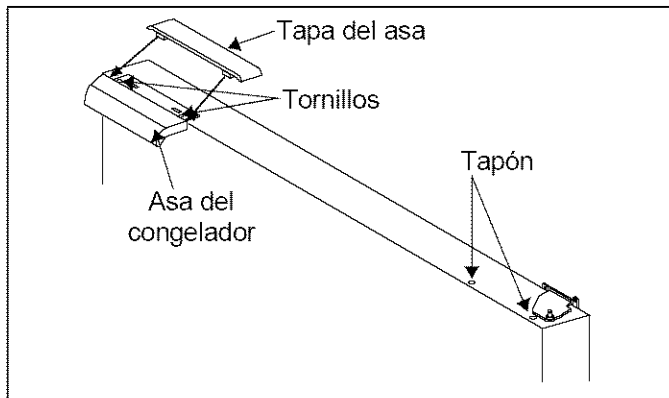
Espátula (la hoja cubierta con cinta adhesiva)
Desarmador hexagonal de tuercas de 5/16"
Desarmador hexagonal de tuercas de 3/8"
Desarmador hexagonal de tuercas de 1/4"
Desarmador Phillips
Desarmador plano

1. Quite el asa del refrigerador.
 - Quite el tornillo del adorno del asa superior. Saque el borde del adorno del asa con una espátula con la hoja cubierta con cinta adhesiva. Retire el asa de la puerta quitando un tornillo de montaje que queda en cada extremo del asa.
 - Quite un tapón del lado de la bisagra superior de la puerta y dos del lado de la bisagra delantera de la puerta. Vuelva a colocar los tres tapones en los orificios de montaje desocupados.



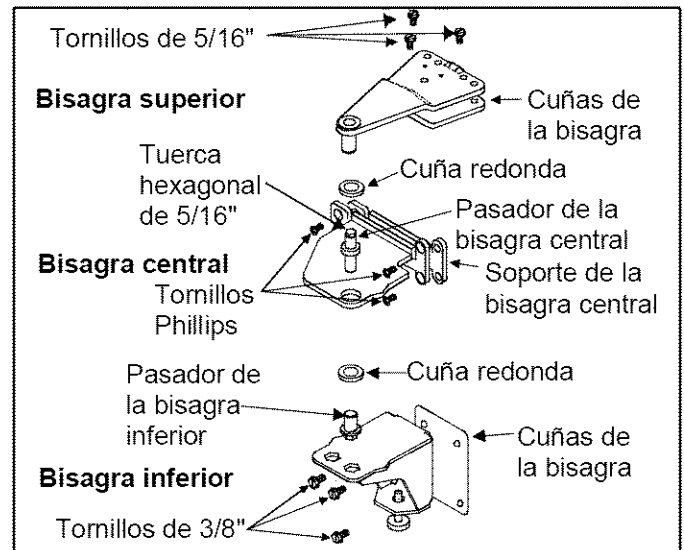
IMPORTANTE: Cuando se necesita usar una espátula o un desarmador plano para quitar los tapones, **la hoja debe estar cubierta con cinta adhesiva para evitar dañar el acabado del refrigerador.** Para los tapones en que se use un desarmador o una cabeza tipo desarmador de tuercas, use la herramienta apropiada para evitar dañar los tapones.

2. Quite el asa de la puerta del congelador.
 - Abra la puerta del congelador 90°. Encuentre dos mellas en la parte posterior del asa del congelador. Inserte el desarmador plano o la hoja de la espátula cubierta con cinta adhesiva. Saque la parte trasera de la tapa del asa y quítela del asa.
 - Retire el asa de la puerta quitándole dos tornillos de montaje.
 - Quite dos tapones del lado opuesto de la puerta del congelador y colóquelos en los orificios vacíos.

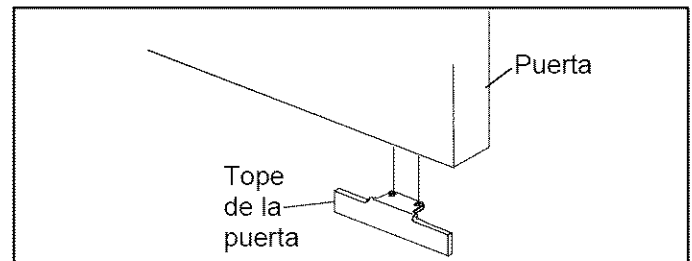


3. Quite la cubierta de la bisagra superior. La cubierta de la bisagra superior se desprende. Quite la bisagra superior y la cuña de la bisagra con un desarmador hexagonal de tuercas. Quite y conserve todas las cuñas.
4. Quite la puerta del refrigerador levantándola para sacarla del pasador de la bisagra central. Inspeccione la puerta para verificar que todas las cuñas tengan el pasador de la bisagra.
5. Quite el pasador de la bisagra central con un desarmador de tuercas hexagonal. Como el pasador debe quedar bien ajustado, necesita presionarlo firmemente. Quítelo y conserve todas las cuñas.

6. Quite la puerta del congelador levantándola para sacarla de la bisagra inferior. Verifique que todas las cuñas tengan el pasador de la bisagra.
7. Quite el soporte de la bisagra central y las cuñas de la bisagra con un desarmador Phillips.
8. Quite la parrilla inferior y la cubierta de la bisagra inferior. Ambas se desprenden.
9. Quite la bisagra inferior y las cuñas de la bisagra con un desarmador hexagonal de tuercas.



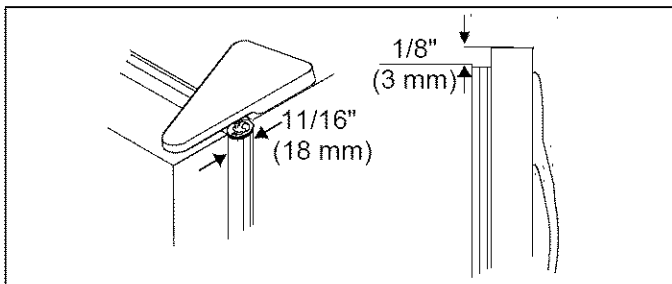
10. Invierta los topes de la puerta.
 - Encuentre el tope de la puerta en el borde inferior de la puerta del refrigerador. Desatornille dos tornillos Phillips para quitar el tope de la puerta. Quite los dos tornillos Phillips en el borde opuesto de la puerta. Monte el tope en el lado opuesto. Vuelva a colocar los tornillos restantes en los orificios de montaje vacíos.
 - Repita las instrucciones anteriores para invertir el tope de la puerta en la puerta del congelador.



11. Invierta las puertas desempeñando los pasos siguientes:
 - Quite los tapones y los tornillos en el lado opuesto del gabinete del refrigerador. Insértelos en los orificios que quedaron al quitar la bisagra.
12. Monte las bisagras inferior, central y superior con las cuñas en el lado opuesto del gabinete.
 - Vuelva a colocar la bisagra inferior en el lado opuesto del gabinete. Verifique que las cuñas de la bisagra estén en su lugar antes de atornillarlas.

Después de colocar el pasador de la bisagra en el orificio exterior, vuelva a colocar las cuñas redondas. Algunas bisagras inferiores podrían tener tapones en los orificios. En este caso, quite el tapón del orificio exterior, coloque el pasador en el orificio, y coloque el tapón en el orificio vacío.

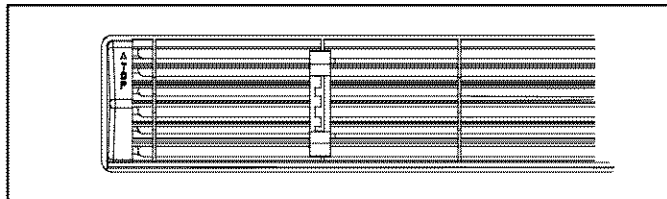
- Vuelva a colocar el soporte de la bisagra central y la cuña de la bisagra, y atorníllelo.
- Cuelgue la puerta del congelador.
- Vuelva a colocar el pasador de la bisagra central con un desarmador hexagonal de tuercas. Asegúrese que el ajuste quede firme. Vuelva a colocar las cuñas redondas.
- Vuelva a colocar la bisagra superior y las cuñas, pero deje espacio suficiente para deslizar el lado de la bisagra de la puerta del refrigerador en su lugar. Apriete la bisagra superior para que sostenga firmemente la puerta.
- Use una moneda pequeña encima para separar la puerta 11/16" (18mm) del gabinete.
- El lado del asa de la puerta debe estar aproximadamente a 1/8" (3 mm) más alto que el lado de la bisagra. **La puerta se nivelará cuando se cargue con alimentos.**



13. Monte el asa del refrigerador en el lado opuesto de la puerta con los tornillos de montaje que se quitaron en el paso anterior.
 - Coloque el adorno del asa en su lugar y vuelva a colocar el tornillo.
14. Monte el asa del congelador en el lado opuesto de la puerta con los tornillos de montaje que se quitaron en el paso anterior.
 - Coloque en ángulo el borde delantero del asa hacia abajo en dirección al labio posterior del asa del congelador. Verifique que la lengüeta inferior en la tapa del congelador se deslice por debajo del labio posterior del asa del congelador. Coloque el borde posterior de la tapa del asa en su lugar.
15. Revise que la unidad esté apropiadamente nivelada siguiendo las instrucciones en la sección titulada *Nivelación del refrigerador*, comenzando en el paso 3.
16. Vuelva a colocar la parrilla inferior y la cubierta de la bisagra inferior.

Importante: Busque la flecha impresa en la parte interior de la parrilla para asegurarse de colocarla correctamente.

- **Coloque primero la porción superior en su lugar.** Oprima la parte inferior de la parrilla hasta que la porción inferior se acomode en su lugar.



17. Aplique una capa delgada de jalea de petróleo al lado de la bisagra de los empaques de las puertas del refrigerador y del congelador.

Conexión para la línea de suministro de agua de la máquina de hielos (en algunos modelos)

⚠️ ADVERTENCIA

Desconecte la corriente eléctrica del refrigerador antes de conectar el suministro de agua para evitar descargas eléctricas que pueden causar lesiones personales graves o la muerte. Después de volver a colocar las puertas, conecte la corriente eléctrica.

⚠️ PRECAUCIÓN

Acate los puntos siguientes para evitar daños materiales:

- Compruebe que la presión del agua en la válvula de agua esté entre 20 y 100 libras por pulgada cuadrada.
- Apriete la conexión y las tuercas del adaptador con unas pinzas y con una llave de tuercas. **No lo apriete de más.**
- Revise si hay goteras de agua y arréguelas si es necesario antes de volver a colocar el refrigerador en su lugar. Después de 24 horas revise nuevamente si hay goteras.

Importante

- Antes de conectar el suministro de agua, comuníquese con un plomero para que conecte la tubería de cobre a la plomería de la casa en conformidad con los códigos y reglamentos locales.
- **¡NO utilice válvulas de tipo de penetración o de silla de 3/16" (9 mm)!** Ambas reducen el flujo del agua, con el tiempo se obstruyen y además pueden causar goteras si trata de repararlas. El tipo correcto de válvula de cierre requiere que se haga un orificio de 1/4" (6 mm) en la tubería del suministro de agua antes de conectar la válvula.
- No coloque tuberías del suministro de agua en ubicaciones en donde la temperatura pueda bajar a menos de 32°F (0°C).

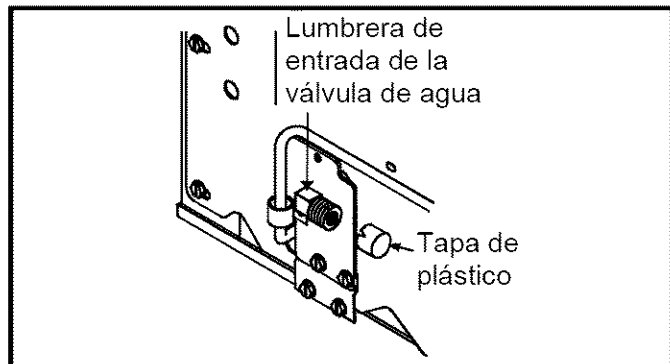
Controles

Materiales necesarios

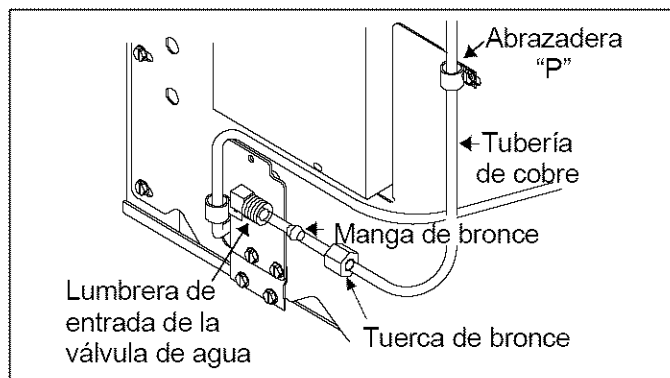
Se requiere tubería de cobre flexible de 1/4" (6 mm) de D.E. La longitud de la tubería de cobre debe alcanzar desde la conexión del suministro de agua hasta la lumbrera de entrada de la válvula de agua. Se necesitan 8 pies (2 m) adicionales de tubería para un lazo de servicio. El lazo de servicio permitirá que el refrigerador se pueda separar de la pared sin desconectar la tubería.

Procedimiento

1. Quite la tapa de plástico de la lumbrera de entrada de la válvula de agua.



2. Coloque la tuerca y la manga de bronce en la tubería de cobre. (La tuerca y la manga de bronce se encuentran en el paquete de literatura.) Introduzca la tubería de cobre en la lumbrera de entrada de la válvula de agua. Conecte la tuerca de bronce en la tubería de cobre en la lumbrera de entrada de la válvula de agua. Compruebe que la tubería de cobre esté bien segura tirando de ella ligeramente.

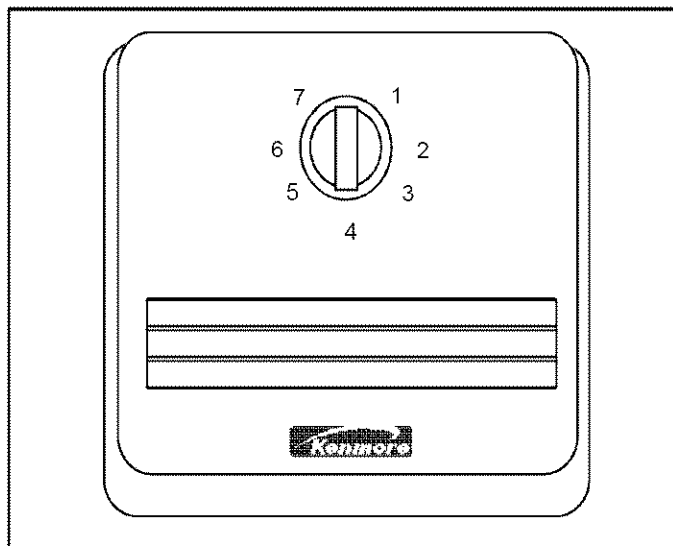


3. Abra el suministro de agua que va al refrigerador y revise posibles goteras. Repare las goteras cuando lo conecte. Tenga cuidado de no apretar demasiado la conexión.
4. Haga un lazo de servicio con extremado cuidado para evitar dobleces. Asegure la tubería de cobre al gabinete del refrigerador con una abrazadera "P". Es importante asegurar el tubo de cobre al refrigerador para evitar goteras al empujar el refrigerador para volver colocarlo en el hueco.

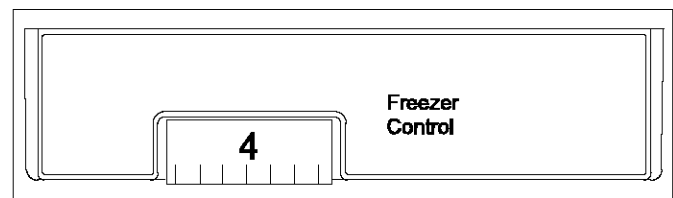
Este refrigerador funciona con mayor eficacia en temperaturas domésticas normales, entre 55° y 110° F (13° y 43° C).

Controles del refrigerador y del congelador

El control del refrigerador está localizado en la parte superior de la pared posterior de la sección del refrigerador.



El control del congelador está localizado en la parte delantera izquierda del techo de la sección del congelador.



Ajuste de los controles

Cuando el control del congelador está colocado en la posición *DESACTIVADA (OFF)*, ni la sección del refrigerador ni la del congelador se enfriarán. Inicialmente, coloque ambos controles en 4. Espere 24 horas para que las secciones del refrigerador y del congelador establezcan la temperatura. Después de 24 horas, ajuste los controles, un solo número a la vez, según se desee. El 1 es el menos frío y el 7 el más frío.

Ajuste con precisión los controles utilizando un termómetro común que abarque temperaturas entre -5° y 50° F (-21° y 10° C).

Coloque el termómetro ajustadamente entre paquetes en la sección del congelador y espere de 5 a 8 horas. Si la temperatura del congelador no se encuentra entre 0° y 2° F (-17° y -16° C), ajuste el control, 1 solo número a la vez. Revise nuevamente después de 5 a 8 horas.

Coloque el termómetro en un vaso de agua en medio de la sección del refrigerador y espere 5 a 8 horas. Si la temperatura del refrigerador no se encuentra entre 38° y 40° F (3° y 4° C), ajuste el control, 1 solo número a la vez. Revise nuevamente después de 5 a 8 horas.

Características del refrigerador

Repisas del refrigerador

Las repisas se ajustan para satisfacer las necesidades individuales de almacenamiento. Algunos modelos vienen con repisas que contienen los derrames menores y que se deslizan hacia afuera. Las repisas que contienen los derrames menores facilitan la limpieza.



PRECAUCIÓN

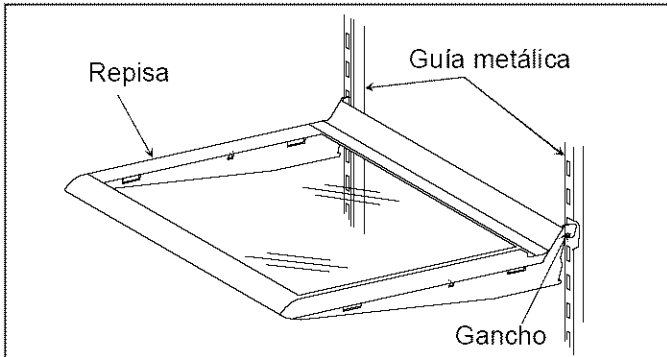
Asegúrese que la repisa esté bien instalada antes de volver a colocar artículos sobre ella para evitar daños materiales.



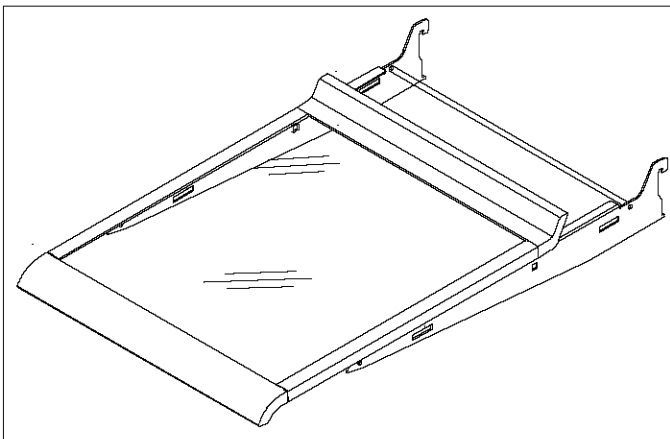
PRECAUCIÓN

Maneje con cuidado las repisas de vidrio templado para evitar lesiones personales o daños materiales. Las repisas se pueden romper súbitamente si tienen fracturas, rayaduras o se exponen a cambios repentinos de temperatura.

- Quite las repisas levantando la parte delantera y liberando los ganchos de la guía metálica, después jalándolas hacia afuera.
- Vuelva a colocar las repisas insertando los ganchos en la guía metálica y bajando la parte delantera.



Las repisas deslizables se pueden deslizar hacia adelante para tener acceso fácil a los artículos de la parte posterior.



Sistema de cajón de temperatura controlada para carnes y de cajón para frutas y verduras (en algunos modelos)

El diseño combinado de los cajones de temperatura controlada para carnes y para frutas y verduras permite mantener frescos los alimentos durante más tiempo creando ambientes ajustables para verduras, carnes y otro tipo de alimentos.

El cajón del lado izquierdo de la unidad (A) puede utilizarse como cajón para frutas y verduras o como cajón de temperatura controlada para carnes.

Para utilizarlo como cajón para frutas y verduras:

1. Ajuste el control de temperatura (b) en *COLD* (frío).
2. Ajuste el control de humedad en (a) al nivel adecuado según el contenido.
3. Deslice el control a *HIGH* (alta) para verduras con hojas como la lechuga, espinacas o repollo.
4. Deslice el control a *LOW* (baja) para verduras con cáscara como la coliflor, elotes y jitomates.

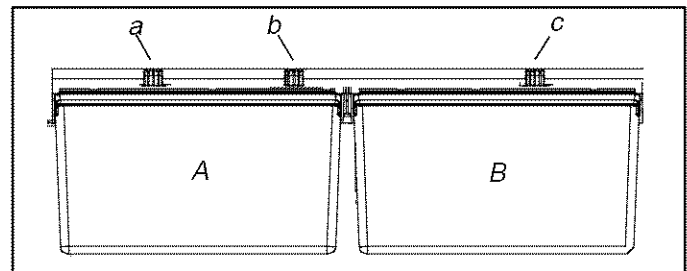
Para utilizarlo como cajón de temperatura controlada para carnes:

1. Ajuste el control de humedad (a) en *HIGH* (alta).
2. Ajuste el control de temperatura (b) en *COLD* (frío) para la temperatura normal del refrigerador y en *COLDER* (más frío) para una temperatura más fría. Los ajustes del control de temperatura (b) permiten un mayor o menor flujo de aire alrededor de la bandeja. En el ajuste *COLDER* (más frío) es posible que se formen cristales de hielo en el cajón o en los alimentos.

El cajón del lado derecho de la unidad (b) puede utilizarse para almacenar diferentes tipos de frutas y verduras gracias al diseño del control de humedad. El cajón para frutas y verduras tiene un control ajustable de nivel de humedad.

Para fijar los controles de humedad del cajón para frutas y verduras (B):

- Deslice el control a *HIGH* (alta) para verduras con hojas como la lechuga, espinacas o repollo.
- Deslice el control a *LOW* (baja) para verduras con cáscara como la coliflor, elotes y jitomates.



PRECAUCIÓN

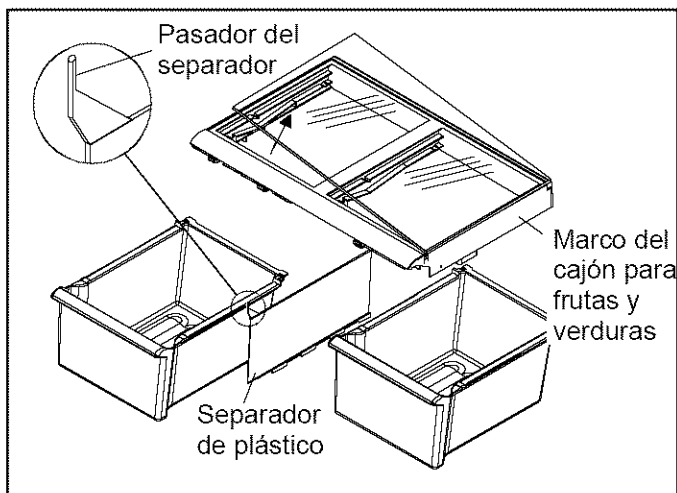
Maneje con cuidado las repisas de vidrio templado para evitar lesiones personales o daños materiales. Las repisas se pueden romper súbitamente si tienen fracturas, rayaduras o se exponen a cambios bruscos de temperatura.

PRECAUCIÓN

Para evitar dañar el aparato, por favor siga con mucho cuidado las instrucciones de retiro e instalación. Si no se siguen las instrucciones correctamente o en el orden indicado, el aparato no funcionará correctamente o puede ser que se quiebren piezas del mismo.

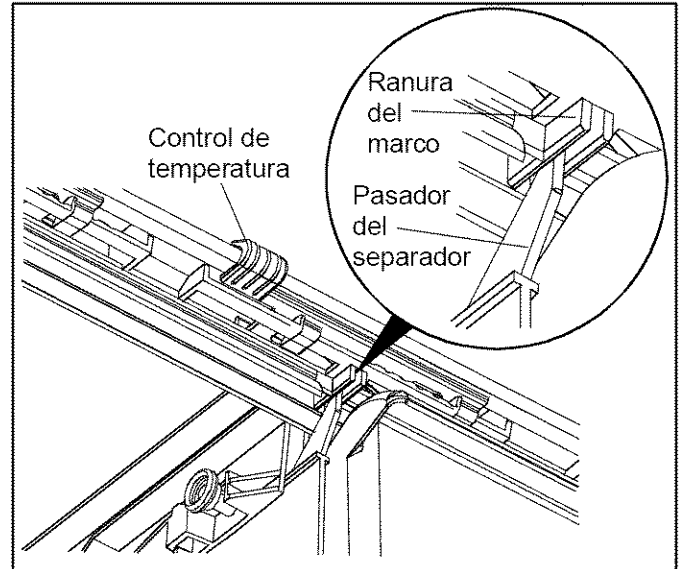
Para quitar la repisa y los cajones para frutas y verduras siga los siguientes pasos:

1. Abra el cajón para frutas y verduras del lado izquierdo.
2. Quite la cubierta de vidrio del cajón para frutas y verduras empujando suavemente hacia arriba desde la parte de abajo. Mueva hacia arriba el extremo y jale hacia afuera.
3. Para sacar los cajones para frutas y verduras levante la repisa de éstos sosteniéndola de la moldura de plástico del frente y saque el separador de plástico. **Cerciórese de que el pasador del separador esté completamente fuera del conjunto del marco antes de retirarlo de la unidad.** Deslice hacia afuera los cajones para frutas y verduras.
4. Saque el marco de los cajones para frutas y verduras levantando el marco sosteniéndolo de la moldura de plástico del frente y separándolo de las ranuras del conjunto de los rieles del gabinete. Jálelo hacia adelante y hacia afuera de la unidad.



Para volver a meter los cajones, siga los pasos que se indican a continuación:

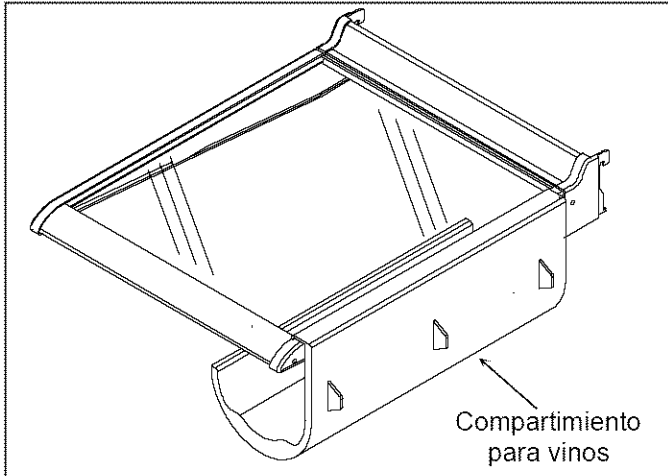
1. Ajuste el control de temperatura en *COLD* (frío)
2. Levante el marco del cajón para frutas y verduras sosteniéndolo de la moldura de plástico del frente.
3. Deslice el separador de plástico en la guía de los rieles de la parte inferior del conjunto del cajón para frutas y verduras.
4. Baje el marco para que el pasador del separador quepa en la ranura que se encuentra debajo de la moldura de plástico.



Compartimiento para botellas (en algunos modelos)

El compartimiento para botellas proporciona un conveniente lugar para guardar una botella de cuello largo, huevos, etc.

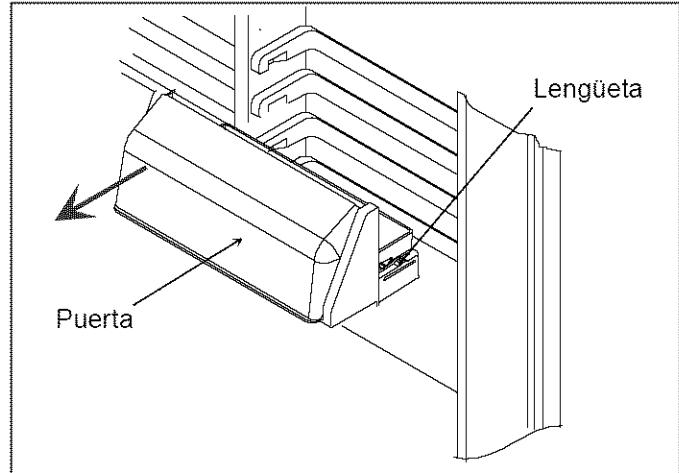
- Cuelgue este compartimiento enganchándolo por el lado de la repisa.



Compartimientos para productos lácteos (en algunos modelos)

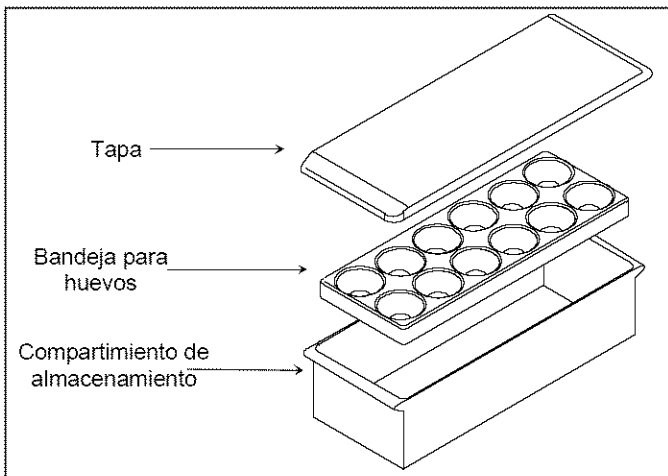
Los compartimientos para productos lácteos ofrecen un conveniente lugar para guardar mantequilla, queso, etc.

- Quite los compartimientos para productos lácteos levantando la puerta, empujando las lengüetas de la repisa en ambos lados y jalando hacia afuera.
- Vuelva a colocar los compartimientos para productos lácteos deslizándolos hasta que las pestañas encajen en su sitio y luego baje la puerta.



Compartimiento cubierto para almacenamiento (en algunos modelos)

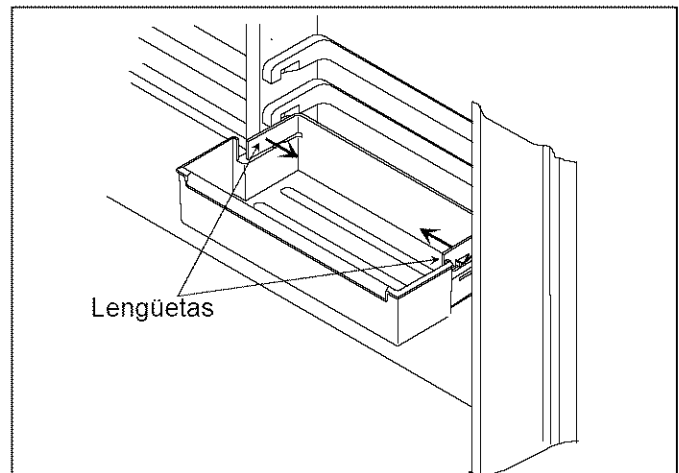
El compartimiento de almacenamiento tiene una tapa y una bandeja desmontable para huevos. Cuando se saca la bandeja, se pueden acomodar artículos tales como cajas regulares de huevos, hielo, etc.



Compartimientos de la puerta

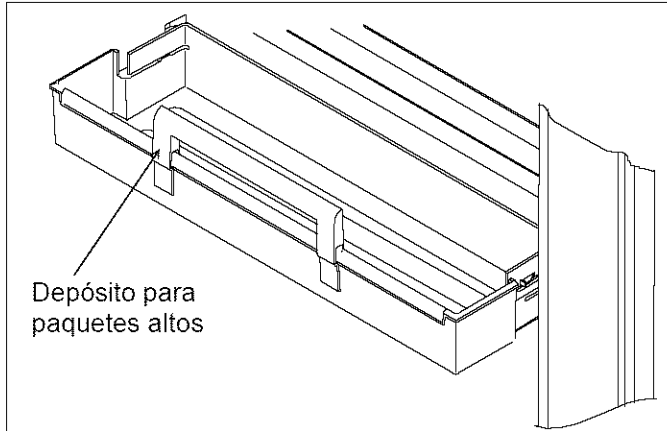
Los compartimientos de la puerta se ajustan para satisfacer las necesidades individuales de almacenamiento.

- Quite los compartimientos de la puerta empujando las lengüetas de los extremos de la repisa hacia el centro y jalando hacia afuera.
- Vuelva a poner los compartimientos de la puerta deslizándolos hasta que las lengüetas encajen en su sitio.



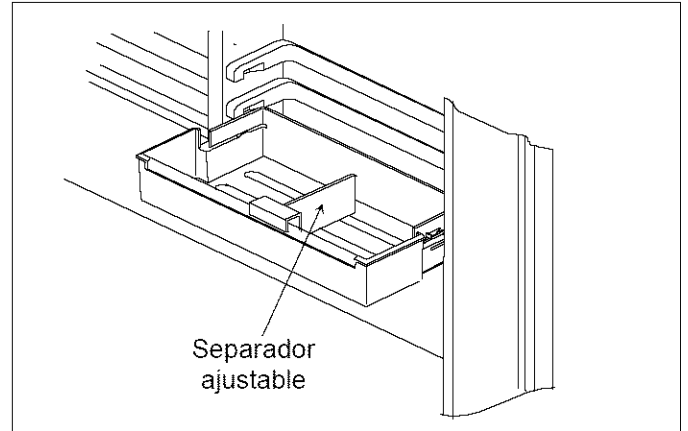
Depósito para paquetes altos

El depósito para paquetes altos mantiene seguros los paquetes altos. El sujetador cabe en el borde delantero de cualquier recipiente de la puerta del refrigerador o en cualquier repisa de la puerta del refrigerador.



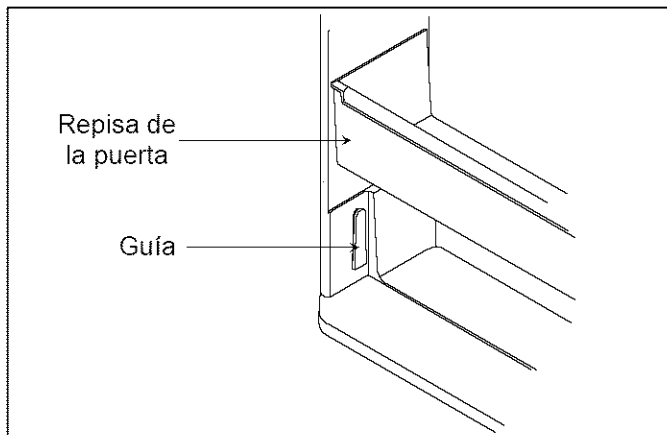
Separador ajustable (en algunos modelos)

El separador ajustable mantiene los artículos en su sitio y se ajusta para satisfacer las necesidades individuales de almacenamiento. El separador cabe en cualquier compartimiento o repisa de la puerta.



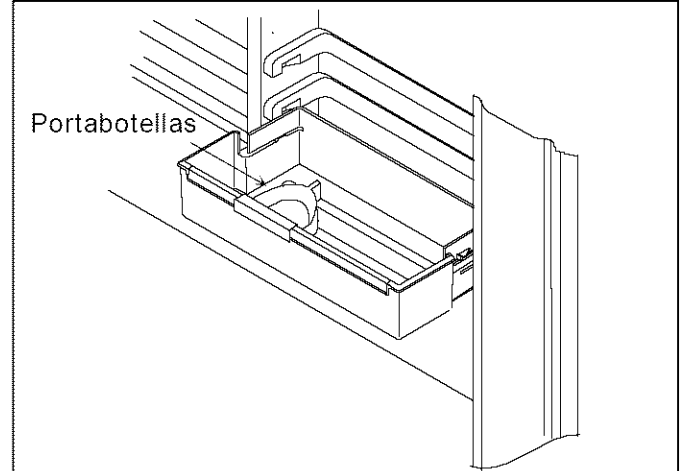
Repisas de la puerta

- Quite las repisas de la puerta levantando los extremos y jalando hacia afuera.
- Vuelva a colocar las repisas sobre las guías y deslice hacia abajo.



Portabotellas

El portabotellas mantiene los artículos en su sitio y se ajusta para satisfacer las necesidades individuales de almacenamiento. El portabotellas cabe en cualquier compartimiento o repisa de la puerta.



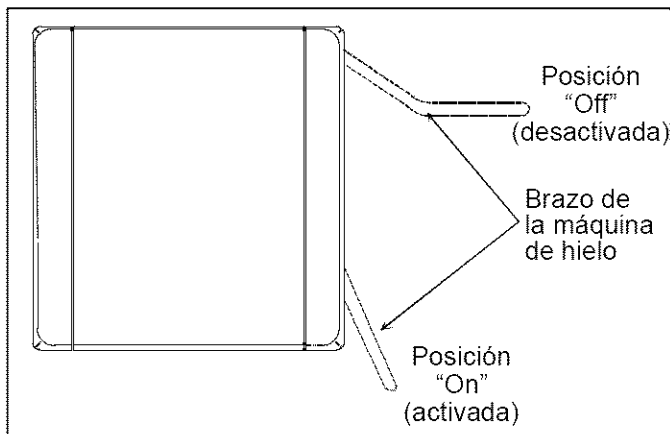
Características del congelador

Sistema sin escarcha (Frost-Free)

Las secciones del refrigerador y del congelador se mantienen completamente sin escarcha. La descongelación es automática bajo condiciones normales. Nunca se tiene que descongelar la sección del refrigerador ni la del congelador.

Máquina de hielo automática (en algunos modelos)

- Verifique que los recipientes para hielo estén en su sitio y que el brazo de la máquina de hielo esté hacia abajo.



- Después que la sección del congelador alcanza la temperatura normal, la máquina de hielo se llena de agua y comienza a funcionar. Espere de 24 a 48 horas después de instalarla para que los hielos estén listos. La máquina de hielo produce de 7 a 9 raciones de hielo durante 24 horas bajo condiciones ideales.
- Después de que se forma el hielo, la máquina deja caer los hielos adentro del recipiente de hielo. Mientras el hielo se está haciendo, el brazo de la máquina se levanta y se baja. Cuando el recipiente de hielo se llena, el brazo de la máquina la desconecta.

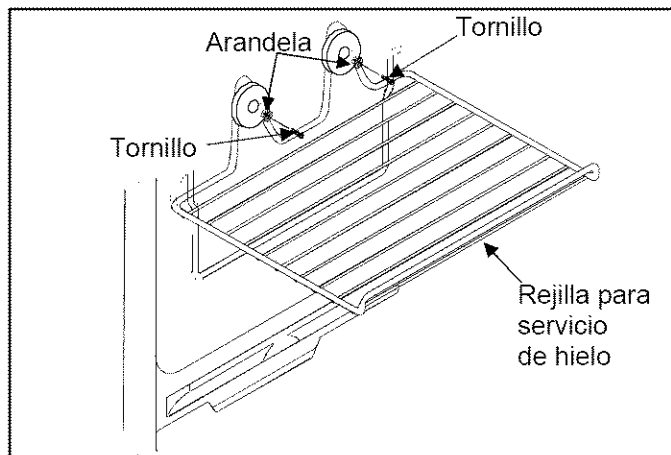
Nota: Deseche las tres primeras raciones de hielo para que no consumir ninguna impureza que quede en la línea de agua al instalarla.

- Si desea detener la producción automática de hielo levante el brazo de la máquina. Se escucha claramente un chasquido cuando se coloca en la posición adecuada. El brazo de la máquina se quedará en esta posición hasta que se empuje hacia abajo.

Rejilla para servicio de hielo

Instale la rejilla para servicio de hielo realizando los pasos siguientes con un desarmador Phillips:

1. Afloje los tornillos y las arandelas que están en la pared lateral del congelador.
2. Coloque la rejilla para servicio de hielo en las arandelas y deslice hacia abajo.
3. Apriete los tornillos y las arandelas.



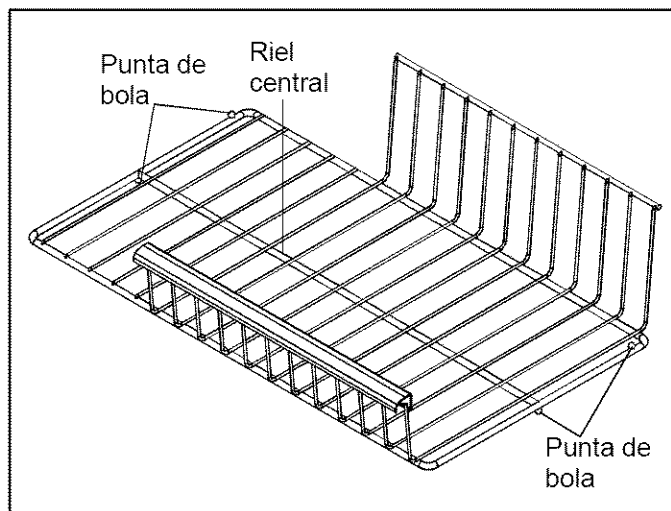
PRECAUCIÓN

Verifique que la repisa esté segura antes de colocar artículos en ella para evitar daños materiales.

Repisa deslizable (en algunos modelos)

Las repisas deslizables se pueden jalar hacia el frente para tener un acceso fácil a los artículos colocados en la parte posterior.

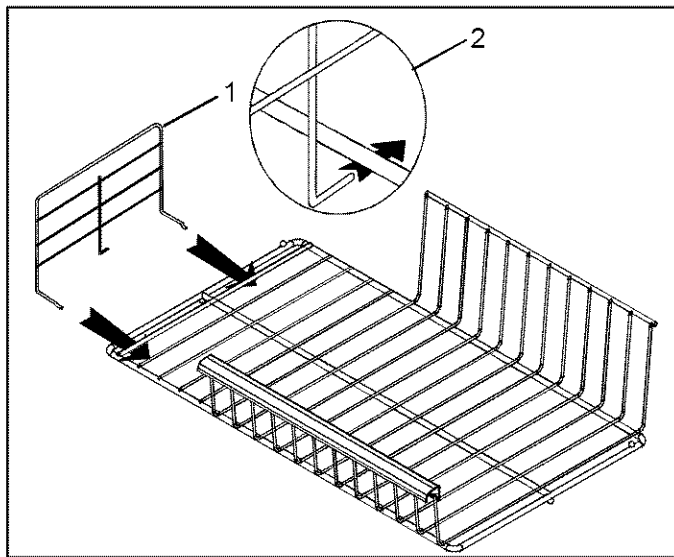
- Para quitar la repisa deslizable tire de ella hacia el frente hasta que la punta de bola debajo del riel central se acomode en el canal de la moldura. Sostenga la repisa por el riel central, jale hacia arriba y retirela.
- Deslícelo hacia adentro hasta que la punta de bola caiga en el canal de la moldura.



Separador vertical de repisa(en algunos modelos)

Instale el separador vertical de repisa siguiendo los pasos a continuación:

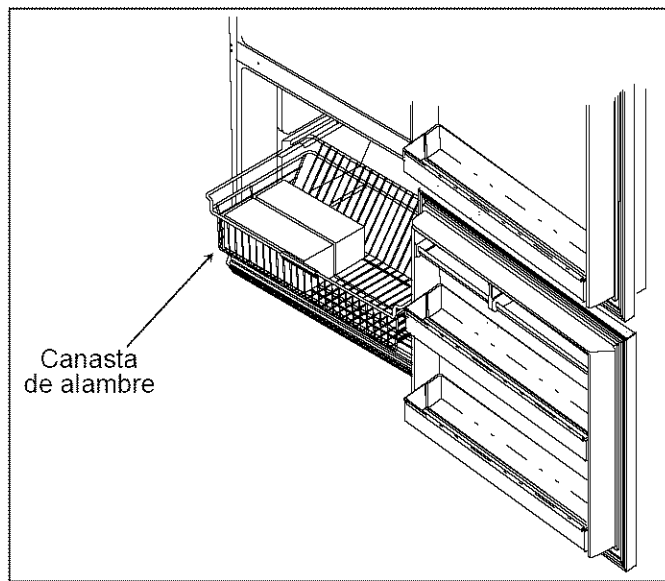
1. Deslice las puntas del separador de repisa debajo de la rejilla que se desee, ligeramente fuera de centro del riel central.
2. Oprima la parte superior del divisor y deslice el ensamble de gancho debajo del riel central.



Canasta de alambre

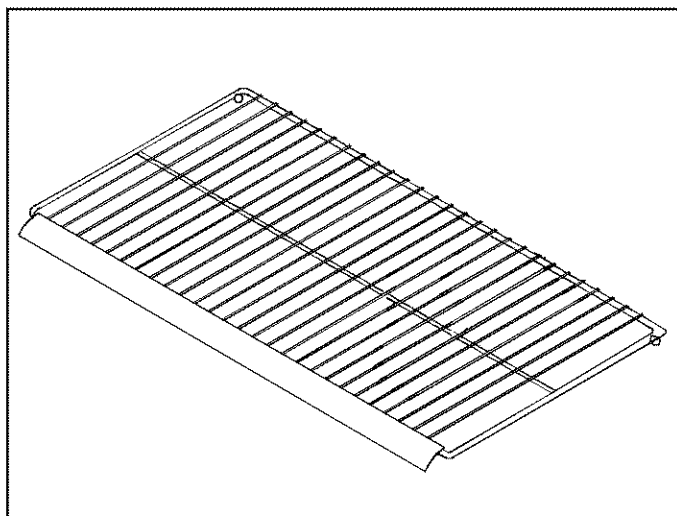
La canasta de alambre se desliza hacia afuera para tener acceso fácil a los artículos que están en la parte posterior.

- Quite la canasta de alambre levantándola y jalándola hacia afuera.
- Vuelva a colocar la canasta de alambre deslizándola hacia adentro.



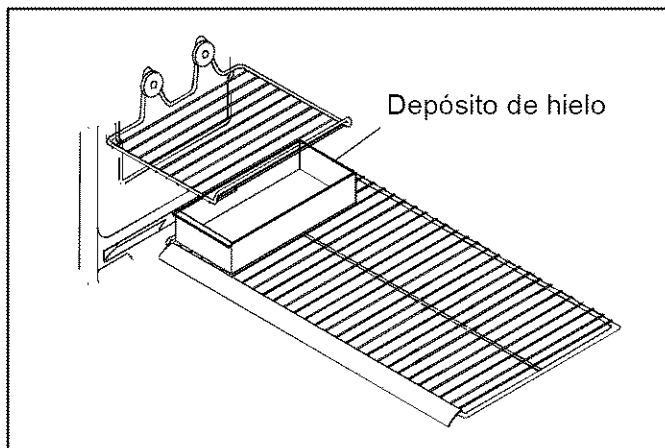
Repisa de alambre

- Quite la repisa de alambre jalándola hacia afuera. Se puede necesitar una sacudida fuerte.
- Vuelva a colocar la repisa de alambre deslizándola hasta que su parte posterior quede en su sitio.



Depósito de hielo

El depósito de hielo está sobre la repisa para servicio de hielo en la repisa de alambre del congelador.



Cuidado y limpieza



ADVERTENCIA

Desconecte la corriente eléctrica al refrigerador antes de limpiarlo para evitar descargas eléctricas que pueden causar lesiones personales graves o la muerte. Después de limpiarlo, vuelva a conectar la corriente.



PRECAUCIÓN

Lea y siga todas las instrucciones del fabricante de los productos de limpieza para evitar lesiones personales o daños materiales.

Limpieza general

1. Lave las superficies con cuatro cucharadas de bicarbonato de sodio disueltas en un litro de agua tibia utilizando un trapo suave y limpio.
2. Enjuague las superficies con agua tibia. Seque las superficies con un trapo suave y limpio.
3. NO UTILICE los siguientes productos:
 - limpiadores abrasivos o ásperos tales como amoníaco, cloro, blanqueadores, etc.
 - detergentes o solventes concentrados
 - estropajos metálicosEstos productos pueden rayar, rajar y decolorar las superficies.
4. No lave las repisas, recipientes, etc. en una lavadora de platos automática.

Adhesivos

1. Elimine el residuo de goma de las superficies del refrigerador frotando un poco de pasta dental sobre el adhesivo hasta aflojarlo.
2. Enjuague la superficie con agua tibia. Seque la superficie con un trapo limpio y suave.

Empaques de la puerta

1. Limpie los empaques de la puerta cada 3 meses de acuerdo con las instrucciones de la sección "Limpieza general". Limpie los derrames inmediatamente.
2. Aplique una capa delgada de vaselina para mantener los empaques flexibles.

Serpentines del condensador

Limpie el serpentín del condensador por atrás de la parrilla cada tres meses para asegurar un funcionamiento óptimo del refrigerador. La acumulación de polvo y pelusa puede causar lo siguiente:

- menor rendimiento de enfriamiento
 - aumento del consumo de energía
 - falla prematura de las piezas
1. Quite la rejilla de la base sosteniendo los extremos y jalándola hacia afuera del refrigerador.
 2. Limpie la superficie delantera del serpentín con la boquilla de la manguera de una aspiradora.

3. Vuelva a colocar la rejilla de la base insertando y encajando las presillas en los agujeros del gabinete.
4. Eleve la pata estabilizadora (en algunos modelos) girándola en sentido contrario al de las manecillas del reloj.



PRECAUCIÓN

Proteja los pisos suaves de vinilo o de otros tipos con cartones, alfombras o algún otro material protector para evitar daños materiales.

5. Jale el refrigerador para separarlo de la pared. Pase el cepillo de la aspiradora sobre la rejilla que está en la parte posterior del refrigerador.

Repisas de vidrio



PRECAUCIÓN

Maneje cuidadosamente las repisas de vidrio templado para evitar lesiones personales o daños materiales. Las repisas se pueden romper súbitamente si tienen fracturas, rayaduras o se exponen a cambios repentinos de temperatura.

Saque la repisa levantándola de la parte delantera, liberando los ganchos de los rieles metálicos, luego jalando la repisa hacia adelante. Colóquela sobre una toalla y permita que la repisa se adapte a la temperatura ambiental antes de limpiarla.

Limpie las hendiduras haciendo lo siguiente:

1. Diluya un detergente suave y aplíquelo en las hendiduras usando un cepillo con cerdas de plástico. Déjelo reposar durante cinco minutos.
2. Rocíe agua tibia en las hendiduras usando un aditamento para rociar agua desde el grifo.
3. Seque bien la repisa y vuelva a colocarla insertando los ganchos en los rieles metálicos y bajándola por la parte delantera.

Eliminación de olores

1. Saque todos los alimentos y desconecte la corriente eléctrica al refrigerador.
2. Limpie todas las superficies interiores incluyendo el techo, el piso y las paredes de acuerdo con las instrucciones de limpieza de la sección "Limpieza general". Preste atención especial a las esquinas, hendiduras y ranuras. Incluya todos los accesorios, cajones, repisas y empaques.
3. Conecte la corriente eléctrica al refrigerador y vuelva a colocar los alimentos en el refrigerador. Lave y seque todos los recipientes. Guarde todos los alimentos en recipientes sellados herméticamente.

Sugerencias para cuando sale de vacaciones

para evitar malos olores adicionales. Después de 24 horas revise si se ha eliminado el olor.

Ejecute los pasos 4 al 9. Si no se ha eliminado el olor, siga los pasos siguientes.

4. Coloque los cajones para verduras en la repisa superior de la sección del refrigerador. Llene las secciones del refrigerador y del congelador, incluyendo las puertas, con hojas estrujadas de periódico.
5. Coloque pedazos de carbón en diferentes lugares del periódico.
6. Cierre las puertas y deje reposar de 24 a 48 horas.
7. Saque los pedazos de carbón y los periódicos.
8. Ejecute los pasos 2 y 3.

Si aún no se ha eliminado el olor, comuníquese con un Centro de Servicio de Sears.

Reemplazo de focos

ADVERTENCIA

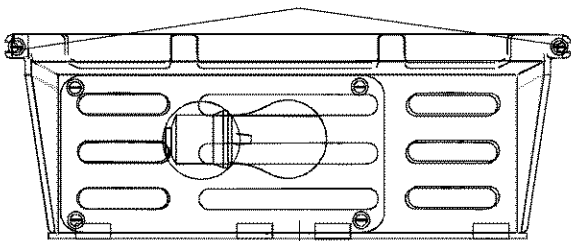
Desconecte la corriente eléctrica al refrigerador antes de cambiar los focos para evitar descargas eléctricas que podrían causar lesiones graves o la muerte. Después de cambiar los focos, vuelva a conectar la corriente.

PRECAUCIÓN

Lleve a cabo lo siguiente para evitar lesiones personales o daños materiales.

- Permita que se enfríe el foco.
 - Use guantes cuando reemplace el foco.
- Quite la tapa del foco extrayendo los tornillos hexagonales de $\frac{1}{4}$ " de pulgada (6 mm). Reemplácelo con un foco para aparatos electrodomésticos de **60 vatios o menor**.
 - Vuelva a colocar la tapa del foco atornillando los tornillos hexagonales de $\frac{1}{4}$ " de pulgada (6 mm).

Tornillos hexagonales de $\frac{1}{4}$ " de pulgada (6mm)



Cubierta del foco

Siga los pasos a continuación cuando tome unas vacaciones breves.

1. Saque los alimentos que se puedan echar a perder.
2. Si tiene instalada una máquina para hacer hielo, ponga el brazo de la máquina en posición desactivada (*off*). (Vea la sección "Máquina de hielo automática" en la página 31.)

Siga los pasos a continuación cuando tome vacaciones largas.

1. Vacíe las secciones del refrigerador y del congelador.
2. Desenchufe el refrigerador.
3. Limpie el refrigerador y los empaques de las puertas de acuerdo con las instrucciones de "Limpieza general" en la sección "Cuidado y limpieza".
4. Deje las puertas abiertas para que pueda circular el aire en el interior.
5. Si tiene instalada una máquina para hacer hielo, cierre el suministro del agua al refrigerador y ponga el brazo de la máquina en posición desactivada (*off*). (Vea la sección "Máquina de hielo automática" en la página 31.)

Sugerencias para conservar energía

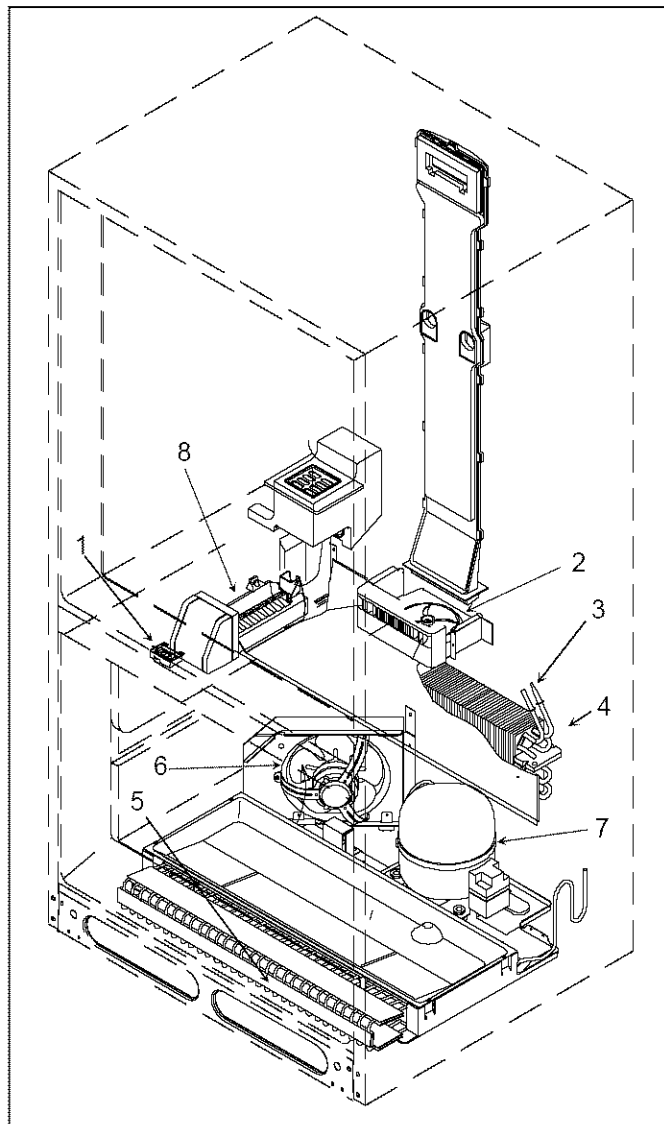
Este refrigerador ha sido diseñado para ser uno de los refrigeradores de mayor rendimiento de energía disponibles. Reduzca el consumo de energía llevando a cabo lo siguiente.

- Manténgalo funcionando a temperaturas normales entre 55° y 110° F (13° y 43° C) alejado de las fuentes de calor y de la luz directa del sol.
- Fije los controles del refrigerador, congelador y cajón de temperatura controlada para carne a una temperatura que no sea más fría de la necesaria.
- Mantenga llena la sección del congelador.
- Mantenga los empaques de la puerta limpios y flexibles. Cambie los empaques si están gastados.
- Mantenga limpios los serpentines del congelador.

Sonidos normales de funcionamiento

Es posible que este refrigerador nuevo esté reemplazando a uno de diferente diseño, menos eficiente o más pequeño. Los refrigeradores actuales tienen características nuevas y un mejor rendimiento de energía. Como resultado de esto, ciertos sonidos pueden parecer poco comunes. Estos sonidos son normales y pronto le serán familiares. Estos sonidos indican también que el refrigerador está funcionando y rindiendo según su diseño.

1. **Control del congelador.** Hace un clic al arrancar o detenerse el compresor.
2. **Ventilador del congelador.** El aire se acelera y zumba.
3. **Sistema sellado** (evaporador e intercambiador de calor). El flujo del refrigerante gorgojea, cruje o suena como agua hirviendo.
4. **Calentador de descarchado.** Hace chirridos, silba o cruje.
5. **Reloj automático de descarchado.** Suena como un reloj eléctrico cuando comienza y termina del ciclo de descarchado.
6. **Ventilador del condensador.** El aire se acelera y zumba.
7. **Compresor.** Tiene un sonido de alta frecuencia de tarareo o pulsante, y se enciende y apaga en ciclos.
8. **Cubos de hielo.** De la máquina para hacer hielo (en algunos modelos) caen al recipiente.
9. **Conexión de la válvula de agua de la máquina para hacer hielo** (en algunos modelos). Zumba cuando la máquina para hacer hielo se llena con agua. Esto ocurre independientemente de que el refrigerador esté o no esté conectado al suministro de agua. Si no está conectado, anule el ruido colocando el brazo de la máquina para hacer hielo en la posición desactivada (*off*). La conexión de la válvula de agua está ubicada atrás del ventilador del condensador en la parte posterior del refrigerador.



Nota: El aislamiento de espuma tiene muy buen rendimiento de energía y excelente capacidad aislante. Sin embargo, no absorbe el ruido tanto como el aislamiento de fibra de vidrio que se usaba anteriormente.

Antes de llamar para solicitar servicio

Problema	Solución
El refrigerador no funciona.	<ul style="list-style-type: none"> • Compruebe que el control del congelador esté activado. • Compruebe que el refrigerador esté enchufado. Si no lo está, enchufe firmemente el cordón en una tomacorriente del voltaje apropiado. • Revise el fusible o cortacircuitos. Enchufe otro artefacto en el mismo tomacorriente de pared y si no funciona, reemplace el fusible o reajuste el cortacircuitos. • Si el control del congelador está activado, si funcionan las luces pero los dos ventiladores y el compresor no funcionan, el refrigerador podría estar en el ciclo de descarchado. Espere 40 minutos para ver si vuelve a arrancar.
Aún no funciona el refrigerador.	<ul style="list-style-type: none"> • Desenchufe el refrigerador. Cambie los alimentos a otro refrigerador o ponga hielo seco en la sección del congelador para conservar los alimentos. Llame para solicitar servicio.
La temperatura de los alimentos parece estar demasiado tibia.	<ul style="list-style-type: none"> • Vea las secciones anteriores. • Deje que transcurra suficiente tiempo para que los alimentos tibios recientemente guardados alcancen la temperatura del refrigerador o del congelador. Al añadir alimentos se calienta el refrigerador y puede tomarle algunas horas volver a la temperatura normal. • Revise los empaques para ver si sellan correctamente. Los empaques deben sellar ajustadamente al gabinete. • Limpie los serpentines del condensador. Vea las instrucciones para el "Serpentines del condensador" en la sección "Cuidado y limpieza". • Ajuste el control del refrigerador o del congelador. Vea las instrucciones en "Ajuste de los controles" en la sección "Controles". • Las luces del congelador o refrigerador permanecen encendidas. Si la luz permanece encendida, llame para solicitar servicio. • Las ventilas de aire están obstruidas y restringen la circulación del aire frío. Ubique las ventilas usando su mano para sentir el flujo de aire y mueva todos los paquetes que obstruyan las ventilas y restrinjan el flujo de aire.
La temperatura del cajón de temperatura controlada para carne está muy tibia.	<ul style="list-style-type: none"> • Deslice el control a una posición más fría. • Ajuste el control del congelador a una temperatura más fría. Vea las instrucciones en "Ajuste de los controles" en la sección "Controles".
La temperatura de los alimentos es demasiado fría.	<ul style="list-style-type: none"> • Limpie los serpentines del congelador. Vea las instrucciones de "Serpentines del congelador" en la sección "Cuidado y limpieza".

Antes de llamar para solicitar servicio

Problema	Solución
La temperatura de los alimentos es demasiado fría (cont.)	<ul style="list-style-type: none"> • Ajuste el control del refrigerador. Vea las instrucciones en "Ajuste de los controles" en la sección "Controles". • Ajuste el control del congelador a una posición más tibia. Vea las instrucciones en "Ajuste de los controles" en la sección "Controles". Deje que pasen varias horas para que la temperatura se ajuste. • Compruebe que la tapa de plástico esté colocada en el lado opuesto del cajón de temperatura controlada para carnes. Consulte la sección "Cajón de temperatura controlada para carnes".
El refrigerador se acciona con demasiada frecuencia.	<ul style="list-style-type: none"> • Podría ser normal para mantener una temperatura constante. • Las puertas se han abierto frecuentemente o durante períodos prolongados de tiempo. Cuando se abre la puerta el aire tibio entra al refrigerador. Entre más se abre la puerta mayor es el aire tibio que el refrigerador tiene que enfriar. • Permita tiempo suficiente para que los alimentos tibios recientemente guardados alcancen la temperatura del refrigerador o del congelador. Puede tomar varias horas para que el refrigerador alcance otra vez la temperatura normal. • Limpie los serpentines del condensador. Vea las instrucciones de "Serpentines del condensador" en la sección "Cuidado y limpieza". • Ajuste el control del congelador. Vea las instrucciones en "Ajuste de los controles" en la sección "Controles". • Revise que los empaques sellen correctamente. Los empaques deben sellar ajustadamente al gabinete. • La luz del congelador permanece encendida. Si la luz permanece encendida, quite el foco y llame para solicitar servicio. • Cerciórese de que el refrigerador esté nivelado. Consulte la sección "Nivelación del refrigerador" en las instrucciones de instalación.
Se forman gotas de agua dentro del refrigerador.	<ul style="list-style-type: none"> • Es normal durante períodos de alta humedad o si se abren las puertas con mucha frecuencia. • Envuelva bien los alimentos y seque los recipientes húmedos antes de guardarlos en el refrigerador para evitar la acumulación de humedad.
Se forman gotas de agua fuera del refrigerador.	<ul style="list-style-type: none"> • Revise los empaques de la puerta para ver si sellan correctamente. Los empaques deben sellar ajustadamente al gabinete. • Es normal durante períodos de alta humedad o si se abren las puertas con mucha frecuencia.


Antes de llamar para solicitar servicio

Problema	Solución
Los cajones de temperatura controlada para carne o para verduras no cierran con facilidad (en algunos modelos).	<ul style="list-style-type: none"> • Revise si hay un paquete que impida que cierre bien el cajón. • Compruebe que el cajón esté en la posición correcta. • Limpie los canales del cajón con agua tibia y jabonosa. Enjuague y seque bien. • Aplique una capa delgada de vaselina a los canales del cajón. • Compruebe que el refrigerador esté nivelado.
El refrigerador tiene mal olor.	<ul style="list-style-type: none"> • Consulte las instrucciones para la “Eliminación de olores” en la sección de “Cuidado y limpieza”.
El refrigerador hace sonidos poco comunes o que parecen demasiado altos.	<ul style="list-style-type: none"> • Podría ser normal. Consulte la sección de “sonidos normales del funcionamiento”.
Los cubos de hielo tienen mal olor.	<ul style="list-style-type: none"> • Consulte las instrucciones para la “Eliminación de olores” en la sección de “Cuidado y limpieza”. • La máquina para hacer hielo se instaló recientemente. Deseche varios lotes de hielo para evitar hielos descoloridos o con mal sabor. • Hay alimentos que no están bien sellados en el compartimiento del refrigerador o del congelador. Vuelva a envolver los alimentos ya que los olores pueden impregnar el hielo si los alimentos no están apropiadamente envueltos. • Deseche el hielo y lave el recipiente o las bandejas más frecuentemente. Los cubos de hielo son porosos y absorben fácilmente los olores. • El suministro de agua contiene minerales tales como sulfuro. En algunos casos se necesita instalar un filtro para eliminar los problemas con el sabor y con el olor.
Los cubos de hielo se pegan o se “encogen”.	<ul style="list-style-type: none"> • Vacíe el recipiente o las bandejas para hielo con más frecuencia. Si se usan con poca frecuencia, los cubos pueden pegarse o encogerse.
La máquina de hielo no está haciendo hielo.	<ul style="list-style-type: none"> • La presión del agua puede estar muy baja o muy alta. La máquina de hielo requiere una presión de agua de 20 a 100 psi para funcionar de modo apropiado. • Compruebe que el brazo de la máquina de hielo está hacia abajo. Vea la sección “Máquina de hielo automática”. • Compruebe que el suministro de agua de la casa llega a la válvula de agua. Asegúrese que la válvula de cierre del suministro principal de agua esté completamente abierta.

Antes de llamar para solicitar servicio

Problema	Solución
La máquina de hielo no está haciendo hielo (cont.)	<ul style="list-style-type: none"> • Compruebe que los alambres del arnés de la máquina de hielo están completamente dentro de los orificios apropiados. • Revise para ver si hay torceduras en las tuberías de cobre o de plástico. Elimine las torceduras o reemplace la tubería. • Revise las conexiones eléctricas al serpentín de la válvula del agua y el bloc conector en el gabinete del refrigerador. • Si se instaló un filtro de agua en la línea de agua afuera del refrigerador, revise el filtro para ver si hay obstrucciones o si fue instalado incorrectamente.
La máquina de hielo no produce suficiente hielo.	<ul style="list-style-type: none"> • La máquina de hielo se instaló recientemente o se usó recientemente una cantidad grande de hielo. Espere 24 horas para que la producción de hielo comience y para que la máquina de hielo se surta después de ser vaciada. • Compruebe que el suministro de agua llega a la válvula de agua. Asegúrese que la llave de la válvula de agua esté completamente abierta. • Se usó una válvula de tipo de penetración o de silla de $\frac{3}{16}$" para la conexión. Ambas reducen el flujo de agua y pueden obstruirse con el tiempo. Reemplace estas válvulas con el tipo correcto de válvula de silla que requiere que se haga un orificio de $\frac{1}{4}$" en la tubería de suministro de agua antes de conectar la válvula. • Revise para ver si hay torceduras en las tuberías de cobre o de plástico. Elimine las torceduras o reemplace la tubería. • Compruebe que la sección del congelador está funcionando a la temperatura apropiada. El congelador debe estar lo suficientemente frío para producir hielo. Vea la sección de "Ajuste de los controles".
Se forma hielo en el tubo de entrada de la máquina de hielo.	<ul style="list-style-type: none"> • Revise la presión del agua. La presión de agua baja causa que la válvula gotee.

Normes électriques

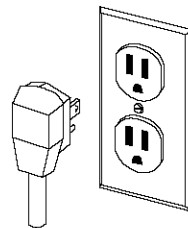
 Ce symbole signale une mesure de sécurité.

DANGER:

Instructions de mise à la terre — Ce réfrigérateur est muni d'une fiche à 3 broches pour prévenir les risques d'électrocution. Si la prise de courant disponible convient uniquement à une fiche à 2 broches, contacter un électricien qualifié et la faire remplacer par une prise de courant à 3 orifices correctement reliée à la terre, conformément au Code national de l'électricité.

Le réfrigérateur est conçu pour fonctionner sur une ligne séparée de 60 Hz, 15 A, de 103 à 126 V.

Ne jamais, en aucune circonstance, couper ou enlever la broche ronde de mise à la terre de la fiche. Le réfrigérateur doit être relié à la terre en tout temps. Ne pas enlever l'étiquette de mise en garde du cordon d'alimentation.



 **DANGER:** Ne pas utiliser d'adaptateur à deux broches. Ne pas utiliser de rallonge.

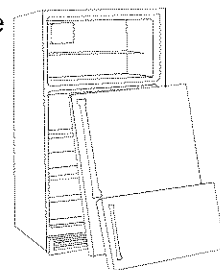
DANGER

Mise au rebut du réfrigérateur

IMPORTANT: Les enfants qui se trouvent enfermés dans un réfrigérateur et y meurent d'asphyxie ne sont pas un problème du passé. Les réfrigérateurs mis au rebut ou abandonnés sont encore dangereux, même s'ils ne sont là que "pour quelques jours". Lors de la mise au rebut d'un réfrigérateur, veiller à suivre les indications ci-dessous pour éviter les accidents.

AVANT DE JETER VOTRE VIEUX RÉFRIGÉRATEUR OU CONGÉLATEUR :

- Enlever les portes.
- Laisser les étagères en place de façon à ce que les enfants aient des difficultés à se glisser à l'intérieur.



Garantie

Garantie totale d'un an du réfrigérateur

Pendant un an à partir de la date d'achat et si ce réfrigérateur est utilisé et entretenu tel qu'indiqué dans les instructions attachées à l'appareil ou fournies avec lui, Sears réparera gratuitement ce réfrigérateur s'il présente des défauts de matériel ou de main-d'oeuvre.

Garantie totale de cinq ans sur le système de réfrigération scellé

Pendant cinq ans à partir de la date d'achat et si ce réfrigérateur est utilisé et entretenu tel qu'indiqué dans les instructions attachées à l'appareil ou fournies avec lui, Sears réparera gratuitement le système de réfrigération scellé de ce réfrigérateur (qui se compose du réfrigérateur, des conduites et du moteur du compresseur) s'il présente des défauts de matériel ou de main-d'oeuvre.

Cette garantie s'applique uniquement aux réfrigérateurs utilisés à des fins ménagères.

Pour obtenir des prestations de garantie, contacter 1-800-4-MY-HOME (469-4663).

Cette garantie est valable uniquement pendant que cet appareil est utilisé aux États-Unis.

Cette garantie vous donne des droits spécifiques et vous pouvez jouir d'autres droits qui varient d'une province à l'autre.

Sears, Roebuck and Co., Dept 817WA, Hoffman Estates, IL 60179 É.-U.

Lire et conserver ces instructions

Indiquer ci-dessous dans l'espace prévu à cet effet les numéros de modèle et de série qui se trouvent sur la plaque signalétique située sur la paroi gauche supérieure du compartiment réfrigérateur.

Numéro de modèle : 596. _____

Numéro de série : _____

Date d'achat : _____

Table des matières

Normes électriques	39
Mise au rebut du réfrigérateur	39
Garantie	39
Lire et conservez instructions	39
Liste de vérification de la mise en service	40
Consignes de mise en service	41
Espace nécessaire	41
Mise à niveau du réfrigérateur	41
Inversion des portes	41
Raccordement de l'appareil à glace à l'alimentation en eau (certains modèles)	43
Commandes	44
Thermostats du réfrigérateur et du congélateur ...	44
Réglage des thermostats	44
Composants du réfrigérateur	45
Tablettes du réfrigérateur	45
Système de bac à légumes et de bac à viande à température contrôlée (certains modèles)	45
Porte-bouteilles (certains modèles)	47
Bac utilitaire avec couvercle (certains modèles) ..	47
Casier laitier (certains modèles)	47
Bacs de porte	47
Dispositif de retenue pour articles en hauteur	48
Balconnets de porte	48
Séparateur réglable (certains modèles)	48
Stabilisateur de bouteilles	48
Composants du congélateur	49
Système auto-dégivrant	49
Appareil à glace (certains modèles)	49
Grille utilitaire à glaçons	49
Tablette coulissante (certains modèles)	49
Séparateur de tablette vertical (certains modèles)	50
Clayette métallique	50
Panier métallique	50
Bac à glace	50
Entretien et nettoyage	51
Indications générales	51
Adhésifs	51
Joints de portes	51
Serpentin du condenseur	51
Tablettes en verre	51
Élimination des odeurs	51
Remplacement des ampoules électriques	52
Conseils pour les vacances	52
Conseils pour des économies d'énergie	52
Bruits normaux	53
Avant d'appeler service de dépannage	54

Liste de vérification de la mise en service

Assurer le bon fonctionnement du réfrigérateur comme suit :

Portes

- Les poignées sont solidement fixées en place.
- Le côté poignée de la porte est $\frac{1}{8}$ po (3 mm) plus haut que le côté charnières de la porte (voir les indications de la page 6).
- Les portes ferment parfaitement l'armoire du réfrigérateur.

Mise à niveau

- Le réfrigérateur est $\frac{1}{4}$ po (6 mm) plus haut à l'avant qu'à l'arrière et de niveau d'un côté à l'autre.

Appareil à glaçons

- L'alimentation en eau du réfrigérateur est raccordée à celui-ci et ouverte.
- Il n'y a pas de fuites au niveau du raccord entre l'alimentation en eau et le réfrigérateur. (Revérifier qu'il n'y a pas de fuites au bout de 24 heures.)
- Le bras-levier de l'appareil à glace est en position de fabrication de glaçons. (La fabrication du premier lot de glace peut prendre jusqu'à 24 heures.)

Alimentation électrique

- Une prise murale à trois trous correctement reliée à la terre est utilisée pour le branchement du réfrigérateur.

Remarque:

La traduction peut parfois donner à des variations dans le sens des termes. Dans tous les cas où il y aura une différence de sens, la version anglaise de ce document prévaut.

Consignes de mise en service

Une mise en service correctement effectuée assure le fonctionnement efficace du réfrigérateur.

Espace nécessaire

ATTENTION

Pour éviter toute défaillance de l'appareil, s'assurer que celui-ci repose en position verticale pendant au moins 24 heures avant de le brancher dans une prise de courant. Le non-respect de cette consigne pourrait endommager le compresseur.

DANGER

Conserver toutes matières ou vapeurs inflammables telles que l'essence à distance sûre du réfrigérateur. Le non respect de cette consigne risque d'entraîner une explosion, un incendie, des brûlures, voire la mort.

- Laisser un espace de ½ po (1.3 cm) au haut du réfrigérateur pour assurer un apport d'air suffisant.
- Si le réfrigérateur est équipé d'un appareil à glace, veiller à laisser suffisamment d'espace à l'arrière pour le raccordement à l'alimentation en eau. S'il n'est pas équipé d'un appareil à glace, il peut toucher le mur arrière.
- Si le réfrigérateur est placé près d'un mur ou d'une cloison, laisser un minimum de 2 ½ po (6.4 cm) de chaque côté (en fonction du modèle) pour permettre l'ouverture de la porte à 90°.

REMARQUE : Ne pas placer le réfrigérateur près d'un four, d'un radiateur ou d'une autre source de chaleur ni dans un endroit où la température risque de tomber au-dessous de 55° F (13° C).

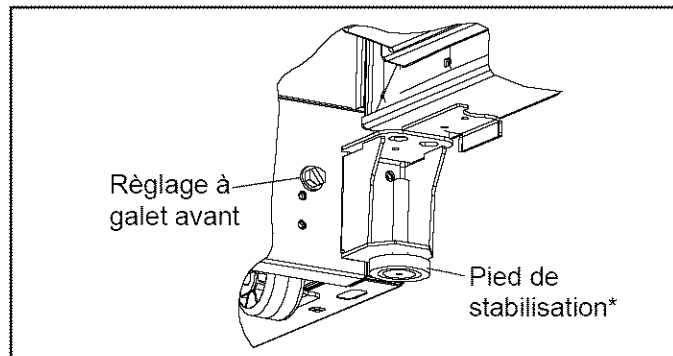
Mise à niveau du réfrigérateur

Dans certains cas, la porte doit être inversée pour permettre son ouverture complète. Si c'est le cas, passer à la partie "Inversion des portes" avant de mettre le réfrigérateur de niveau.

Si le réfrigérateur doit être raccordé à l'alimentation en eau, passer à la partie "Raccordement de l'appareil à glace", page 6, avant de mettre le réfrigérateur de niveau.

1. Brancher le réfrigérateur.
2. Le mettre à son emplacement final.
3. Mettre le réfrigérateur de niveau à l'aide d'un niveau placé sur le dessus du réfrigérateur.
 - Enlever la grille de ventilation. Enlever le couvercle de la charnière inférieure si le réfrigérateur est doté d'un pied stabilisateur.
 - Serrer les vis de réglage à galet vers la droite pour soulever l'unité, et à gauche pour l'abaisser. La partie avant du réfrigérateur doit être plus élevée que l'arrière de 1/4 po (6 mm) ou 1/2 bulle sur le niveau.

- S'assurer que le réfrigérateur est de niveau sur le plan latéral en réglant les vis à rouleaux gauche et droite.
- Tourner le pied de stabilisation (certains modèles) vers la droite jusqu'à ce qu'il soit bien appuyé contre le plancher.



* uniquement sur certains modèles

Inversion des portes

ATTENTION

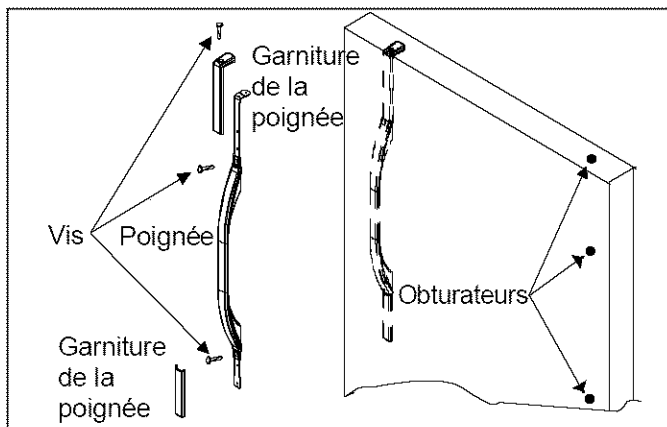
Pour éviter tous dégâts matériels, protéger le plancher en vinyle ou toute autre surface avec du carton, des tapis ou autre matériau de protection.

Certaines installations nécessitent l'inversion de la porte pour assurer le mouvement complet de celle-ci. Procéder comme suit pour inverser la porte :

Outils nécessaires

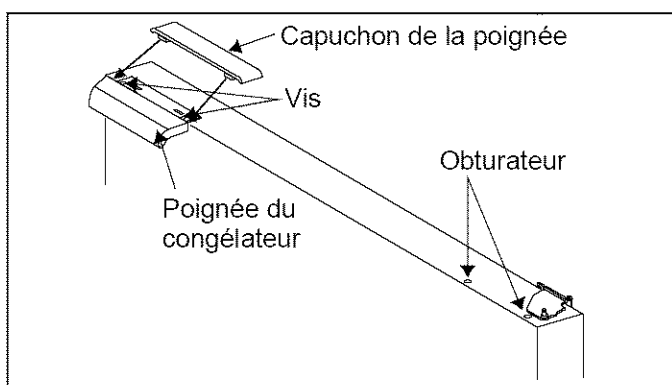
Couteau de vitrier (lame recouverte de ruban-cache)
Tournevis hexagonal de 5/16 po
Tournevis hexagonal de 3/8 po
Tournevis hexagonal de 1/4 po
Tournevis cruciforme
Tournevis à lame

1. Retirer la poignée du réfrigérateur.
 - Retirer la vis de la poignée qui se trouve dans la moulure supérieure de celle-ci. Soulever le rebord de la moulure de la poignée au moyen d'un couteau de vitrier recouvert de ruban-cache. Retirer la poignée de la porte en enlevant la vis de montage qui reste de chaque côté de la poignée.
 - Retirer un bouchon du côté de la charnière supérieure de la porte et deux bouchons du côté de la charnière avant de la porte. Remettre les trois bouchons en place dans les trous de montage vides.



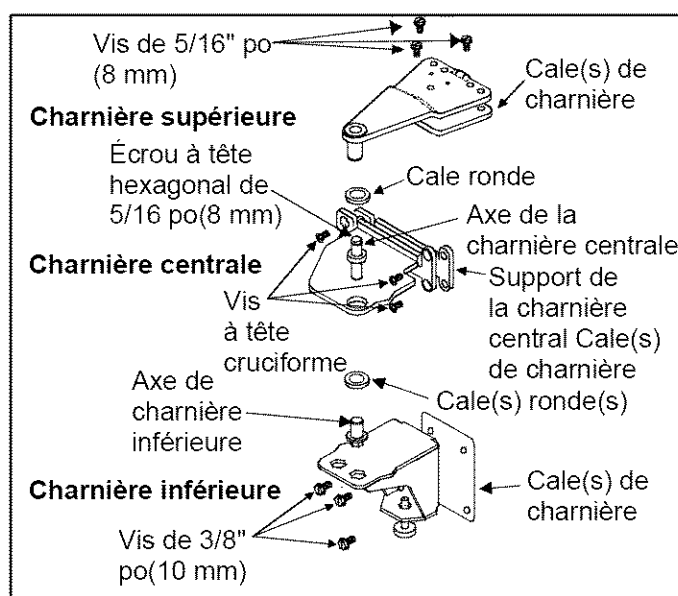
IMPORTANT : Lorsque le retrait des bouchons nécessite l'utilisation d'un tournevis à lame plate ou d'un couteau de vitrier, la lame de l'outil doit être recouverte de ruban-cache pour éviter d'endommager la finition du réfrigérateur. Lorsque les bouchons nécessitent l'utilisation d'un tournevis ou d'un tourne-écrou, utiliser l'outil approprié pour éviter d'endommager les bouchons.

2. Retirer la poignée de porte du congélateur.
 - Ouvrir la porte du congélateur à 90 degrés. Repérer deux encoches à l'arrière de la poignée de porte du congélateur. Insérer la lame du tournevis plat ou du couteau de vitrier recouverte de ruban-cache. Soulever le rebord arrière du capuchon de la poignée et le retirer de celle-ci.
 - Retirer la poignée de la porte en enlevant deux vis de montage.
 - Retirer deux bouchons du côté opposé à la porte du congélateur et les remettre en place dans les trous de montage vides.

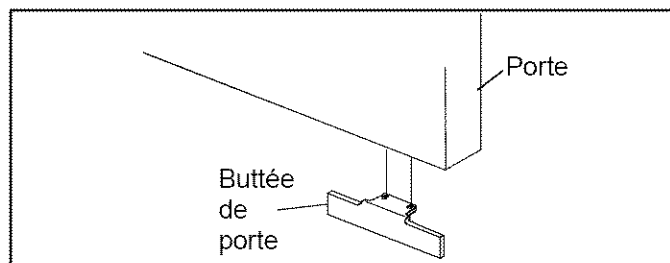


3. Retirer le couvre-charnière supérieur. Le couvre-charnière supérieur se désenclenche. Retirer la charnière supérieure et la cale à l'aide d'un tourne-écrou hexagonal. Retirer et conserver toutes les cales.
4. Retirer la porte du réfrigérateur en la soulevant hors de l'axe de charnière centrale. Inspecter la porte pour vérifier si toutes les cales accompagnent l'axe de charnière.

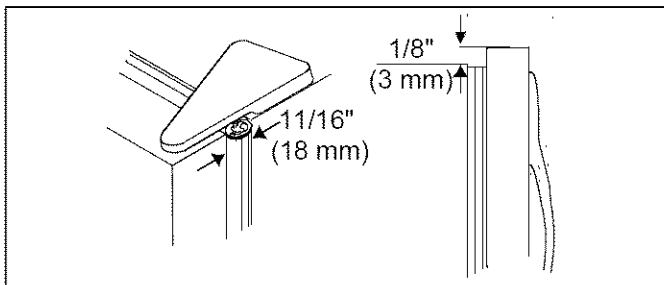
5. Retirer l'axe de charnière centrale au moyen d'un tourne-écrou hexagonal. Comme l'axe est bien ajusté, il peut être nécessaire d'appliquer une pression ferme. Retirer et conserver toutes les cales.
6. Retirer la porte du congélateur en la soulevant hors de la charnière inférieure. Vérifier si toutes les cales accompagnent l'axe de charnière.
7. Retirer le support de charnière centrale et la cale à l'aide d'un tournevis cruciforme.
8. Retirer la grille et le couvre-charnière inférieur. Les deux se désenclenchent.
9. Retirer la charnière inférieure et les cales à l'aide d'un tourne-écrou hexagonal. Retirer et conserver toutes les cales.



10. Inverser les butées de porte.
 - Repérer la butée de porte sur le rebord inférieur de la porte du réfrigérateur. Dévisser les deux vis cruciformes pour enlever la butée de porte. Retirer les deux vis cruciformes sur le rebord opposé de la porte. Poser la butée de porte sur le côté opposé. Remettre les vis qui restent dans les trous de montage vides.
 - Répéter la procédure énoncée ci-dessus pour inverser la butée de porte sur la porte du congélateur.



11. Pour inverser les portes, procéder comme suit :
 - Retirer les bouchons et les vis sur le côté opposé du réfrigérateur. Les insérer dans les trous situés à gauche du retrait de la charnière.
12. Poser les charnières inférieure, centrale et supérieure avec des cales du côté opposé du réfrigérateur.
 - Remettre la charnière inférieure en place sur le côté opposé du réfrigérateur. Vérifier si les cales de charnière sont en place avant de les visser. Après avoir placé l'axe de charnière dans le trou extérieur, remettre les cales rondes en place. Certaines charnières inférieures ont parfois des bouchons dans les trous. Le cas échéant, retirer le bouchon du trou extérieur, insérer l'axe dans le trou et remettre le bouchon en place dans le trou vide.
 - Remettre le support de charnière centrale et la cale de charnière en place, et visser.
 - Poser la porte du congélateur.
 - Remettre l'axe de charnière centrale en place à l'aide d'un tourne-écrou. S'assurer que le tout est bien serré. Remettre les cales rondes en place.
 - Remettre la charnière supérieure et les cales en place, mais laisser un espace de dégagement suffisant pour glisser le côté charnière de la porte du réfrigérateur en place. Serrer la charnière supérieure pour bien retenir la porte en place.
 - Utiliser une pièce de dix cents dans la partie supérieure pour espacer la porte de 11/18 po (18 mm) du réfrigérateur.
 - Le côté poignée de la porte doit être environ 1/8 po (3 mm) plus élevé que le côté charnière. **La porte est de niveau lorsqu'elle est remplie de nourriture.**



13. Poser la poignée de porte du réfrigérateur du côté opposé à la porte à l'aide des vis de montage retirées à l'étape précédente.
 - Enclencher la moulure de la poignée et remettre la vis en place.
14. Poser la poignée de porte du congélateur du côté opposé à la porte à l'aide des vis de montage retirées à l'étape précédente.
 - Placer le rebord avant du capuchon de la poignée en angle vers le bas en direction de la lèvre arrière de la poignée de porte du congélateur. Vérifier si l'attache inférieure sur le capuchon du congélateur

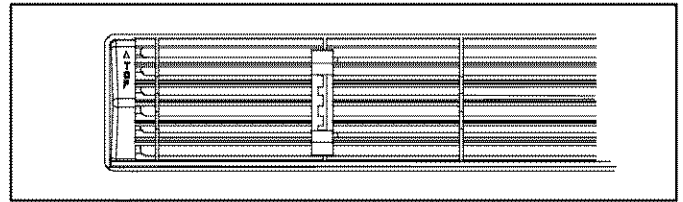
glisse sous la lèvre arrière de la poignée de porte du congélateur. Enclencher le rebord arrière du capuchon de la poignée en place.

15. S'assurer que l'appareil est de niveau en suivant les consignes énoncées dans la section intitulée *Mise à niveau du réfrigérateur*, en commençant à l'étape 3.
16. Remettre la grille et le couvre-charnière inférieur en place.

Important : Repérer la flèche imprimée sur l'intérieur de la grille pour assurer le placement adéquat de l'appareil.

• **Enclencher d'abord la partie supérieure.**

Appuyer sur la partie inférieure de la grille jusqu'à ce qu'elle s'enclenche en place.



17. Appliquer une mince couche de vaseline sur le côté charnière des joints sur la porte du réfrigérateur et celle du congélateur.

Raccordement de l'appareil à glace à l'alimentation en eau (certains modèles)



DANGER

Pour éviter tout risque d'électrocution pouvant causer des blessures graves voire mortelles, débrancher le réfrigérateur avant de faire le raccordement à l'alimentation en eau. Le rebrancher une fois le raccordement effectué.



PRECAUCIÓN

Observer les consignes suivantes pour éviter tous dommages matériels:

- S'assurer que la pression de l'eau à l'électrovanne est bien entre 20 et 100 livres par pouce carré (690 kPa).
- Serrer les raccords et les écrous à l'aide de pinces et de clés. Ne pas trop serrer.
- Vérifier qu'il n'y a pas de fuites et les réparer s'il y a lieu avant de mettre le réfrigérateur à son emplacement final. Revérifier s'il y a des fuites 24 heures plus tard.

Important

- Avant d'effectuer le raccordement à l'alimentation en eau, contacter un plombier pour faire le raccordement de la conduite en cuivre sur l'arrivée d'eau de la maison conformément aux codes et règlements locaux.
- NE PAS utiliser de robinet à étrier de 3/16 po (5 mm) ni de robinet auto-taraudeur. L'un comme l'autre réduisent le débit d'eau, se bouchent au fil des années et peuvent par ailleurs provoquer des fuites lorsqu'on

Commandes

essaie de les réparer. Pour convenir, un robinet d'arrêt exige le percement d'un trou de $\frac{1}{4}$ po (6 mm) dans la conduite d'alimentation en eau avant d'y fixer le robinet.

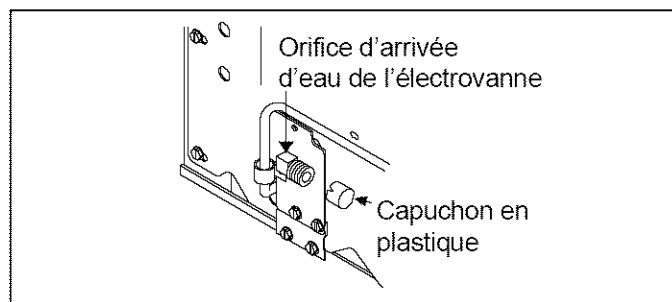
- Ne pas installer le tuyau d'alimentation en eau dans un endroit où la température peut être inférieure à 32° (0°).

Matériel nécessaire

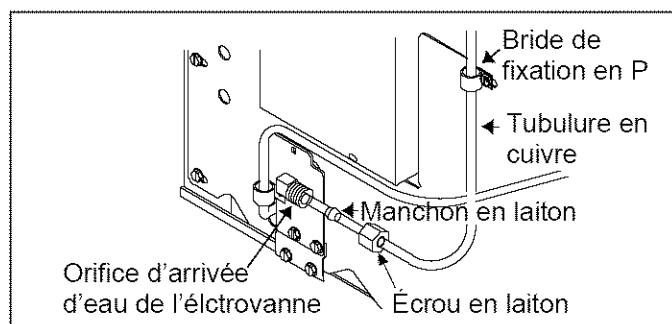
Une tubulure flexible en cuivre de $\frac{1}{4}$ po (6 mm) D.E. est nécessaire. La longueur de la conduite doit être suffisante pour couvrir la distance entre l'arrivée d'eau de l'électrovanne et le point de raccordement à l'alimentation en eau, additionnée de 8 pi (2 m) pour former, à l'arrière du réfrigérateur, une boucle permettant le déplacement de celui-ci sans avoir à désolidariser la conduite.

Marche à suivre

1. Enlever le capuchon en plastique de l'orifice d'arrivée d'eau de l'électrovanne.



2. Mettre l'écrou et le manchon en laiton sur la tubulure en cuivre. (Ceux-ci se trouvent dans le paquet d'imprimés.) Insérer la tubulure en cuivre dans l'orifice d'arrivée d'eau de l'électrovanne. Raccorder l'écrou en laiton qui se trouve sur la tubulure en cuivre à l'orifice d'arrivée d'eau de l'électrovanne. Veiller à ce que la tubulure soit bien en place en tirant dessus.

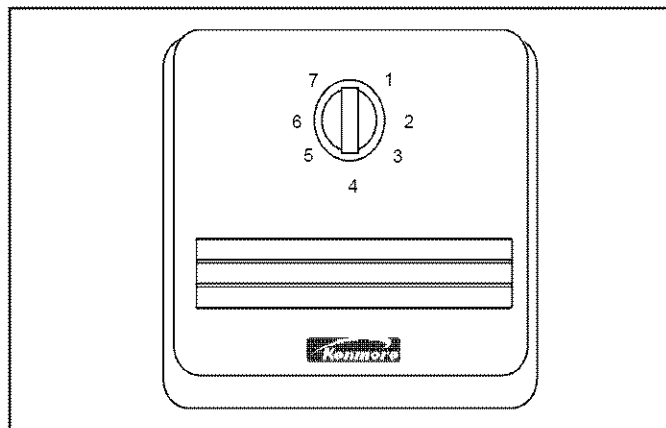


3. Ouvrir l'alimentation en eau du réfrigérateur et vérifier qu'il n'y a pas de fuites. Réparer toute fuite au niveau du raccordement. Veiller à ne pas trop serrer l'écrou.
4. Faire une boucle de service en veillant soigneusement à éviter de plier la tubulure. Fixer la tubulure sur le réfrigérateur à l'aide de la bride de fixation en P. Il est très important de bien fixer le tuyau en cuivre au réfrigérateur pour éviter le risque de fuites lorsque le réfrigérateur est poussé dans l'ouverture. Il est très important de bien fixer le tuyau en cuivre au réfrigérateur pour éviter le risque de fuites lorsque le réfrigérateur est poussé dans l'ouverture.

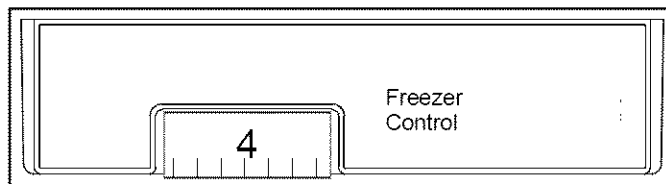
Ce réfrigérateur est conçu pour fonctionner à température ambiante normale à l'intérieur d'une maison, de 55° à 110° F (13° à 43° C).

Thermostats du réfrigérateur et du congélateur

Le thermostat du réfrigérateur se trouve au haut de la paroi arrière du compartiment réfrigérateur.



Le thermostat du congélateur se trouve à l'avant et à gauche du plafond du compartiment congélateur.



Réglage des thermostats

Lorsque le thermostat du congélateur est sur *OFF* (arrêt), ni le compartiment congélateur ni le compartiment réfrigérateur ne fonctionnent. Au départ, régler ces deux thermostats sur 4. Attendre 24 heures que les compartiments réfrigérateur ou congélateur atteignent la température désirée. Après 24 heures, modifier le réglage, d'un chiffre à la fois, s'il y a lieu. Le réglage le moins froid est 1 et le plus froid 7.

Régler les thermostats précisément à l'aide d'un thermomètre ménager dont la température s'échelonne entre -5° et 50° F (-21° et 10° C).

Placer le thermomètre au milieu des aliments surgelés dans le compartiment congélateur. Attendre 5 à 8 heures. Au bout de cette période de temps, s'il n'indique pas une température située entre 0° et 2° F (-17° et -16° C), ajuster le thermostat du congélateur d'un chiffre à la fois en revérifiant la température 5 à 8 heures plus tard.

Placer le thermomètre dans un verre d'eau au milieu du compartiment réfrigérateur. Attendre 5 à 8 heures. Au bout de cette période de temps, s'il n'indique pas une température située entre 38° et 40° F (3° et 4° C), ajuster le thermostat du réfrigérateur d'un chiffre à la fois en revérifiant la température 5 à 8 heures plus tard.

Composants du réfrigérateur

Tablettes du réfrigérateur

Les tablettes sont réglables en fonction des besoins de rangement. Certains modèles sont équipés de tablettes coulissantes et de tablettes qui retiennent les liquides qui débordent pour en faciliter le nettoyage.



PRECAUCIÓN

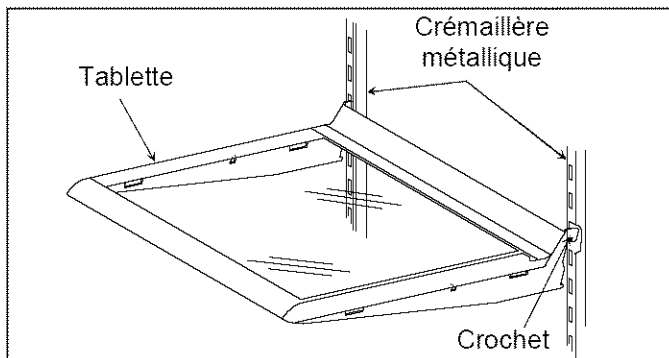
S'assurer que la tablette est stable avant d'y placer des articles afin d'éviter des dégâts.



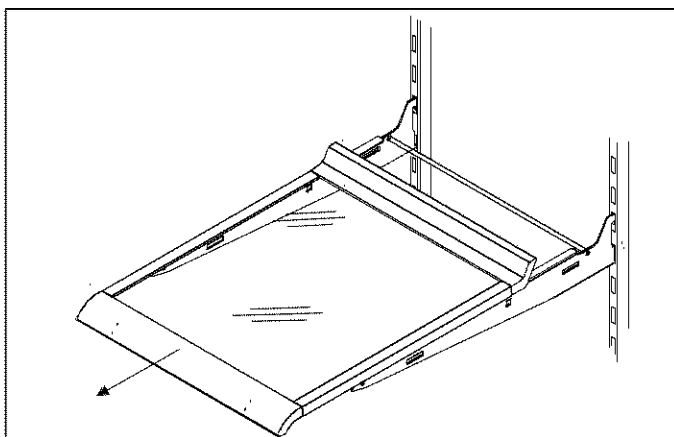
PRECAUCIÓN

Pour éviter tous dommages matériels ou blessures, manipuler les tablettes en verre trempé avec prudence. Celles-ci peuvent se briser brusquement si elles sont égratignées, ébréchées ou soumises à des changements brusques de température.

- Pour enlever les tablettes, en soulever l'avant et décrocher les crochets de la crémaillère métallique, puis tirer.
- Pour remettre les tablettes en place, insérer les crochets sur la crémaillère métallique et abaisser l'avant.



Les tablettes coulissantes peuvent être tirées comme un tiroir pour faciliter l'accès aux articles qui se trouvent à l'arrière.



Système de bac à légumes et de bac à viande à température contrôlée (certains modèles)

La combinaison du bac à légumes et du bac à viande à température contrôlée permet de garder les aliments plus frais plus longtemps en créant un environnement contrôlable pour les légumes, la viande et les autres articles.

Le bac du côté gauche de l'appareil (A) peut servir de bac à légumes ou de bac à viande à température contrôlée.

Pour utiliser comme bac à légumes :

1. Régler la commande de température (b) à *COLD* (froid).
2. Régler la commande d'humidité (a) au niveau désiré selon le contenu.
3. Faire glisser la commande à *HIGH* (élevé) pour les légumes à feuilles tels que la laitue, les épinards ou le chou.
4. Faire glisser la commande à *LOW* (faible) pour les légumes à peau tels que le chou-fleur, le maïs ou les tomates.

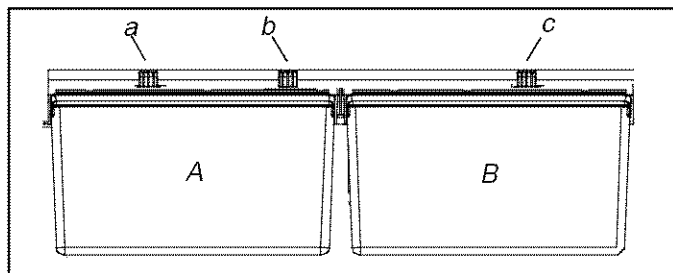
Pour utiliser comme bac à viande à température contrôlée :

1. Régler la commande d'humidité (a) à *HIGH*.
2. Régler la commande de température (b) à *COLD* pour une température normale dans le réfrigérateur et à *COLDER* (plus froid) pour une température plus froide. Le réglage de la commande de température (b) permet de faire circuler plus ou moins d'air du congélateur autour du bac. Des cristaux de glace peuvent se former sur le bac ou la nourriture lorsque le réglage est à *COLDER*.

Le bac du côté droit de l'appareil (B) peut être utilisé pour ranger différentes sortes de légumes tout en contrôlant le degré d'humidité. Le bac à légumes est doté d'une commande de réglage de l'humidité (c).

Pour régler la commande d'humidité du bac à légumes (B) :

- Faire glisser la commande à *HIGH* pour les légumes à feuilles tels que la laitue, les épinards ou le chou.
- Faire glisser la commande à *LOW* (faible) pour les légumes à peau tels que le chou-fleur, le maïs ou les tomates.





ATTENTION

Pour éviter d'endommager le dispositif, prière de suivre attentivement les consignes d'installation et de retrait. Le non-respect ou l'inversion de l'ordre des consignes peut causer un bris ou un fonctionnement inadéquat de l'appareil.



ATTENTION

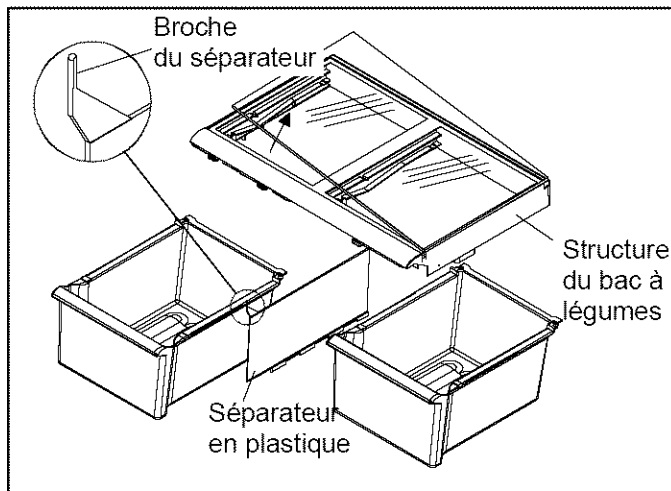
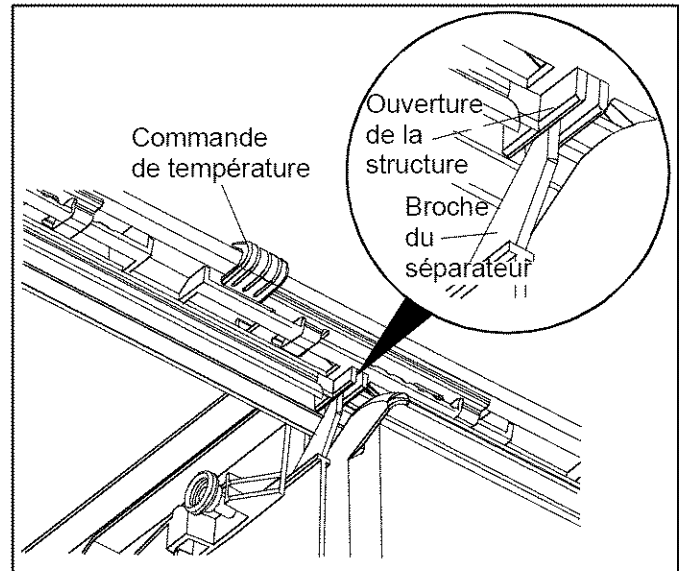
Manipuler les tablettes en verre trempé avec soin pour éviter toutes blessures ou dégâts matériels. Les tablettes peuvent se briser soudainement si elles sont ébréchées, égratignées ou exposées à des changements soudains de température.

Procéder comme suit pour retirer la tablette et les bacs à légumes :

1. Ouvrir le bac à légumes gauche.
2. Retirer le bac à légumes en verre en le soulevant doucement par en dessous. Incliner l'extrémité vers le haut et tirer.
3. Pour retirer les bacs à légumes, soulever la tablette du bac à légumes par la moulure en plastique avant et retirer le séparateur en plastique. **S'assurer que la broche du séparateur est libre de la structure avant de la retirer de l'appareil.** Faire glisser les bacs à légumes pour les retirer.
4. Retirer la structure du bac à légumes en soulevant celle-ci par la moulure en plastique avant et la soulevant hors des rainures de la crémaillère. Tirer vers l'avant pour la retirer.

Procéder comme suit pour remettre les bacs en place :

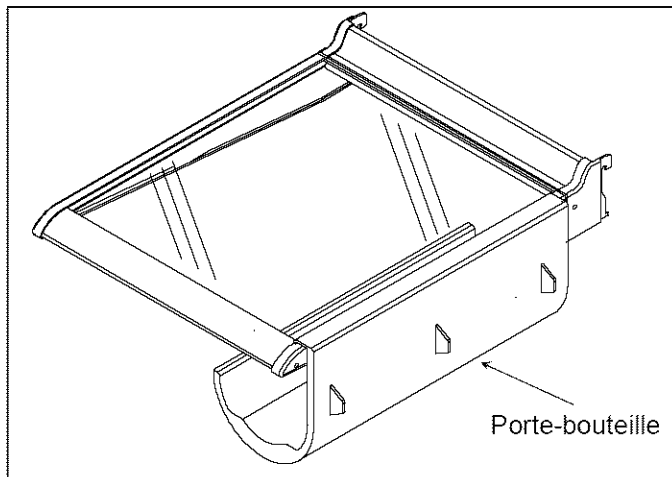
1. Régler la commande de température à *COLD*.
2. Soulever la structure du bac à légumes par la moulure en plastique avant.
3. Faire glisser le séparateur en plastique dans la crémaillère située sur le dessous du bac.
4. Abaisser la structure de façon à ce que la broche du séparateur soit insérée dans l'ouverture prévue à cette fin sous la moulure en plastique.



Porte-bouteilles (certains modèles)

Le porte-bouteille offre un rangement pratique pour les grandes bouteilles, les cartons d'oeufs, etc.

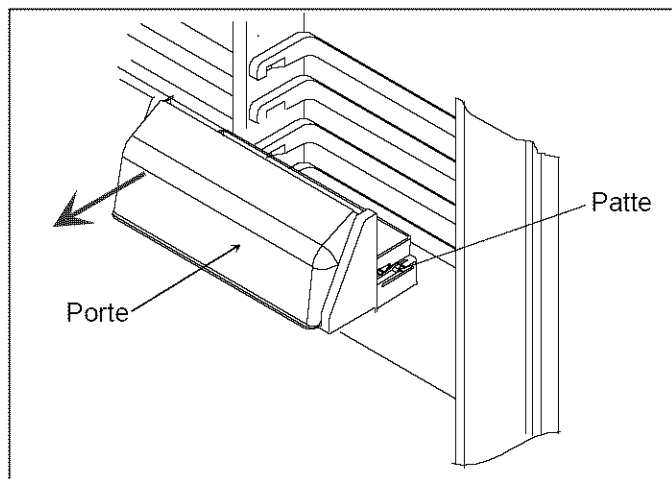
- Pendre le porte-bouteille en le suspendant sur le côté de la tablette.



Casier laitier (certains modèles)

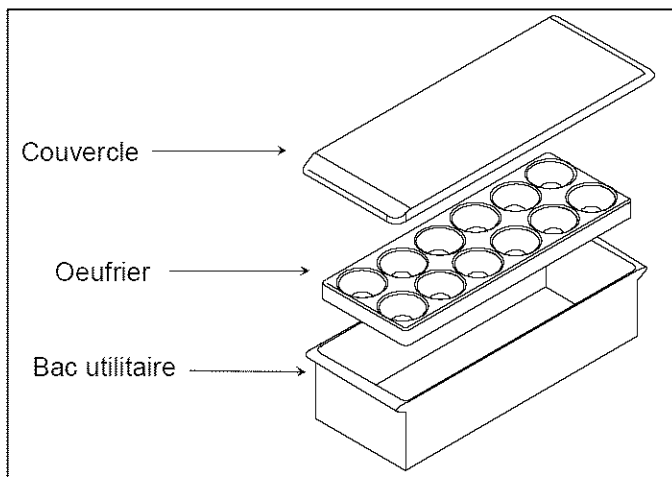
Le casier offre un espace de rangement pratique pour les articles tels que le beurre, le fromage, etc.

- Pour enlever le casier laitier, soulever la porte, pousser les pattes de chaque côté de la tablette vers le bas et tirer.
- Pour remettre le casier laitier en place, le faire coulisser jusqu'à ce que les pattes se bloquent en place, puis abaisser la porte.



Bac utilitaire avec couvercle (certains modèles)

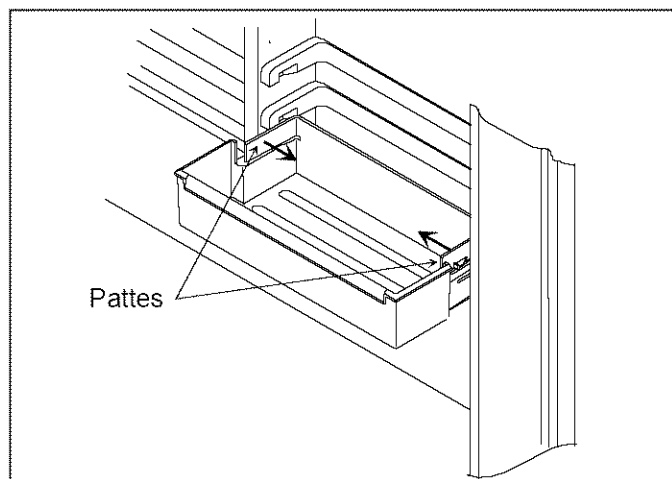
Le bac utilitaire est doté d'un couvercle et comporte un oeufrier amovible. Lorsque l'oeufrier est retiré, le bac peut recevoir des articles tels que carton d'oeufs, glace, etc.



Bacs de porte

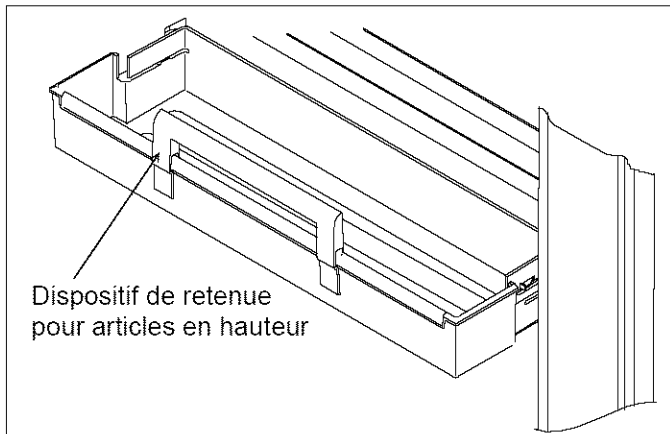
Les bacs sont réglables pour mieux répondre aux besoins individuels de rangement.

- Pour enlever les bacs de porte, pousser les pattes de chaque côté de la tablette vers le centre et tirer vers soi.
- Pour remettre les bacs de porte, les glisser en place jusqu'à ce que les pattes se bloquent.



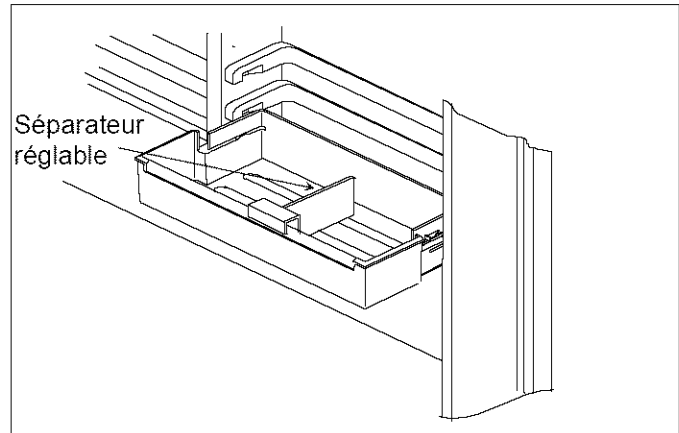
Dispositif de retenue pour articles en hauteur

Le dispositif de retenue pour objets en hauteur empêche les objets longs ou en hauteur de tomber. Le dispositif de retenue s'ajuste sur le rebord avant de toute clayette de porte de réfrigérateur.



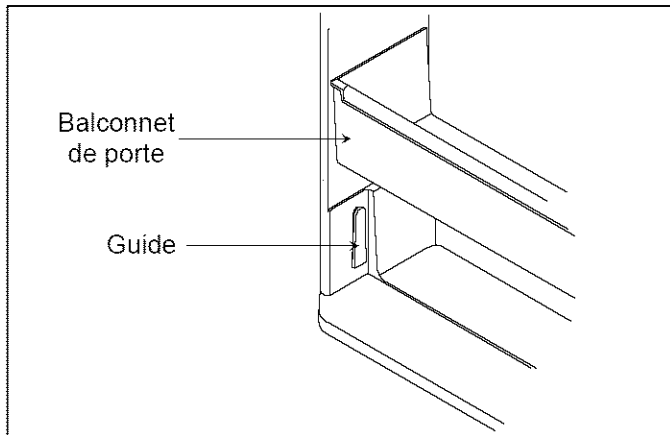
Séparateur réglable (certains modèles)

Le séparateur réglable garde les articles en place et peut être déplacé en fonction des besoins. Le séparateur réglable peut s'utiliser dans tous les bacs et les balconnets de porte.



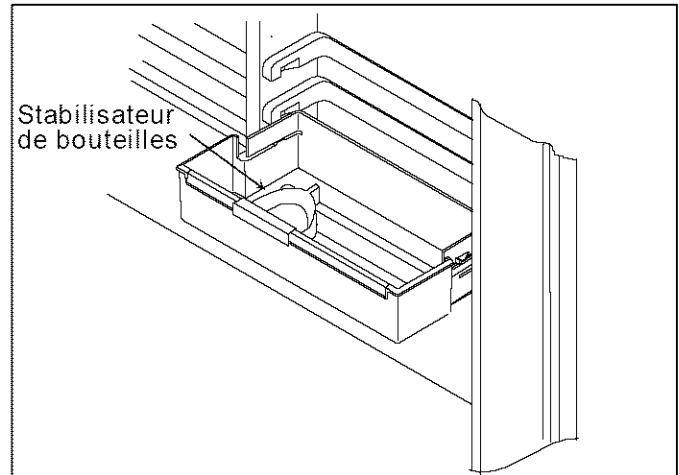
Balconnets de porte

- Pour enlever les balconnets, soulever les extrémités et tirer.
- Pour remettre les balconnets en place, les emboîter sur le guide et les abaisser.



Stabilisateur de bouteilles

Le stabilisateur garde les articles en place et il est réglable pour mieux répondre aux besoins de rangement individuels. Il peut s'utiliser dans tous les bacs et les balconnets de porte.



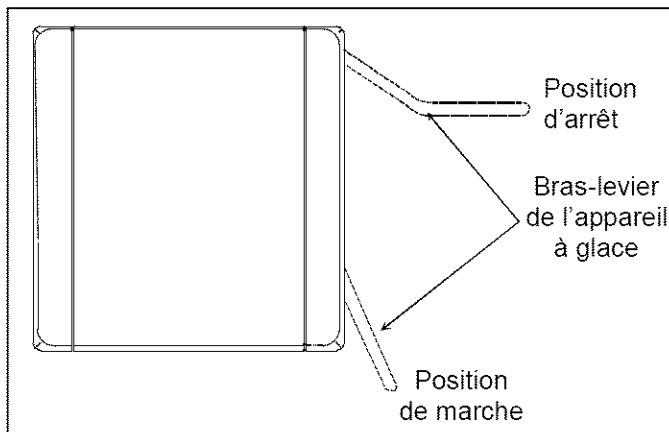
Composants du congélateur

Système auto-dégivrant

Aucune accumulation de glace ne peut se produire dans les compartiments réfrigérateur et congélateur. Le dégivrage est automatique et, dans des conditions d'utilisation normale, les compartiments réfrigérateur et congélateur n'auront jamais besoin d'être dégivrés.

Appareil à glace (certains modèles)

- Vérifier que le bac à glace est bien en place et que le bras-levier de l'appareil à glace est abaissé.



- Une fois que le compartiment congélateur atteint une température normale, l'appareil à glace se remplit d'eau et commence à fonctionner. Le laisser fonctionner 24 à 48 heures après son installation avant de prendre de la glace. Dans des conditions idéales, l'appareil à glace produit sept à neuf lots de glace par jour.
- Une fois les cubes de glace formés, l'appareil les verse dans le bac à glace. Au fur et à mesure que le bac à glace se remplit, le bras-levier de l'appareil se lève. Quand le bac à glace est plein, le bras-levier de l'appareil arrête la production de cubes de glace.

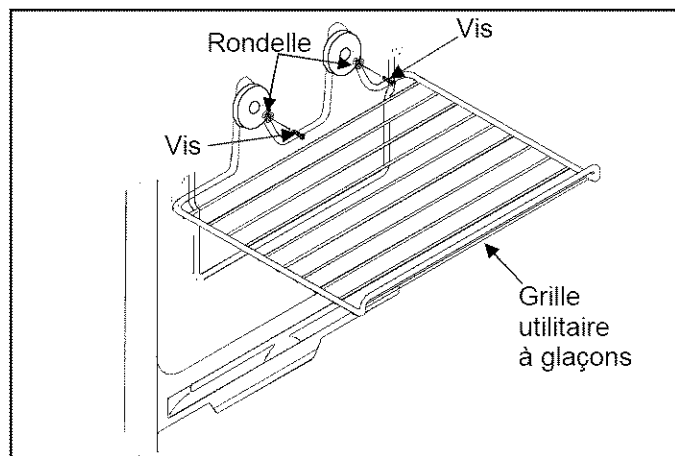
Remarque : Jeter les trois premiers lots de cubes de glace pour éviter la consommation d'impuretés qui ont pu rester dans la conduite après sa pose.

- Pour arrêter la production automatique de glace, soulever le bras-levier. Un "clic" se fait entendre quand la position voulue est atteinte. Le bras-levier de l'appareil à glace reste alors dans cette position jusqu'à ce qu'on l'abaisse.

Grille utilitaire à glaçons

Pour installer la grille utilitaire, procéder comme suit en utilisant un tournevis cruciforme:

1. Dévisser la vis et la rondelle qui se trouvent sur la paroi latérale du congélateur.
2. Mettre la grille utilitaire sur les rondelles et l'abaisser en place.
3. Serrer les vis et les rondelles.



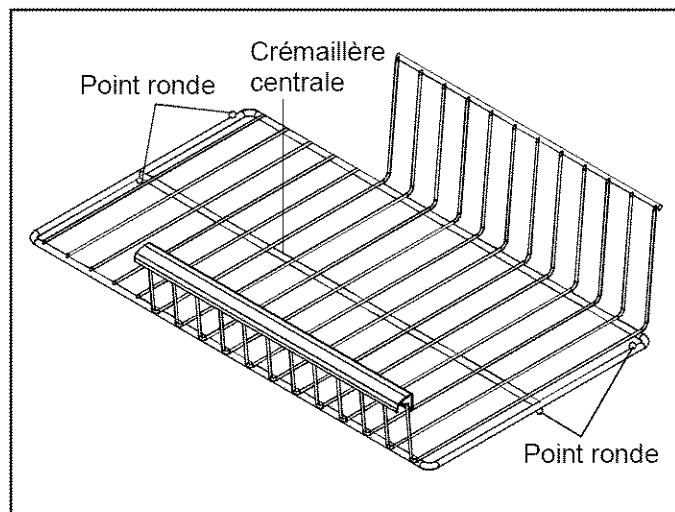
PRECAUCIÓN

Pour éviter tous dommages matériels, s'assurer que la grille est fermement en place avant de mettre des articles dessus.

Tablette coulissante (certains modèles)

Les tablettes coulissantes se tirent vers l'avant pour faciliter l'accès aux articles placés à l'arrière.

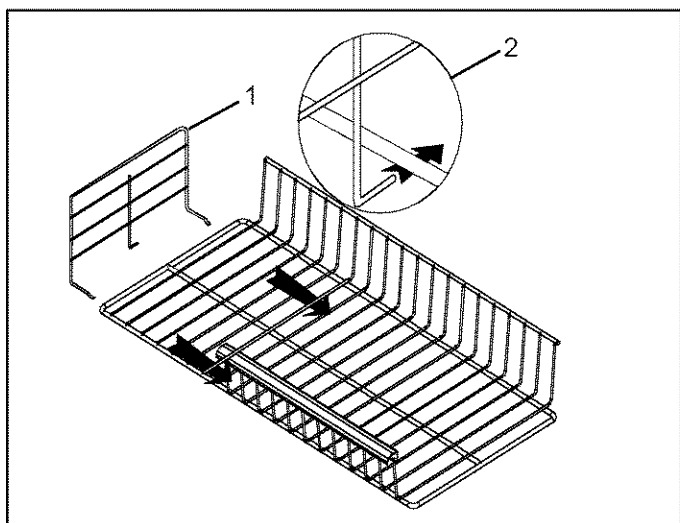
- Retirer la tablette coulissante en la faisant glisser vers l'avant jusqu'à ce que la pointe ronde se trouvant sous la crémaillère centrale s'enclenche dans la rainure de moulage. Saisir la tablette par la crémaillère centrale, la soulever, puis la retirer.
- Faire glisser la tablette jusqu'à ce que la pointe ronde se place dans la rainure de moulage.



Séparateur de tablette vertical (certains modèles)

Procéder comme suit pour poser le séparateur de tablette vertical:

1. Faire glisser les pointes du séparateur de tablette sous la grille désirée, légèrement à l'extérieur de l'axe de la crémaillère centrale.
2. Appuyer sur le dessus du séparateur et faire glisser le crochet sous la crémaillère centrale.



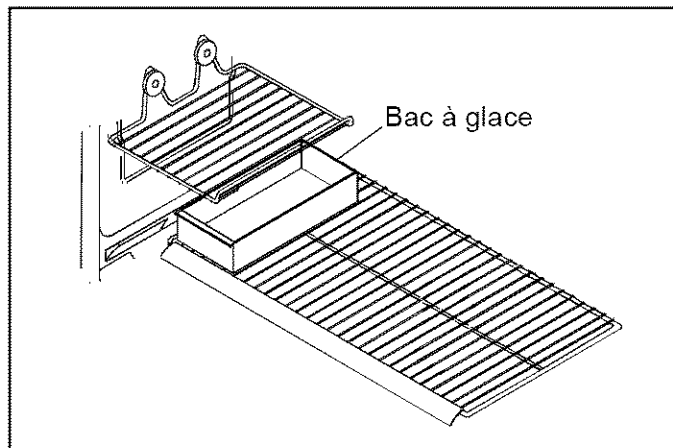
Panier métallique

Les paniers métalliques peuvent être tirés comme des tiroirs pour faciliter l'accès aux articles se trouvant vers l'arrière du compartiment.

- Pour enlever les paniers, les soulever et tirer.
- Pour remettre les paniers, les glisser en place.

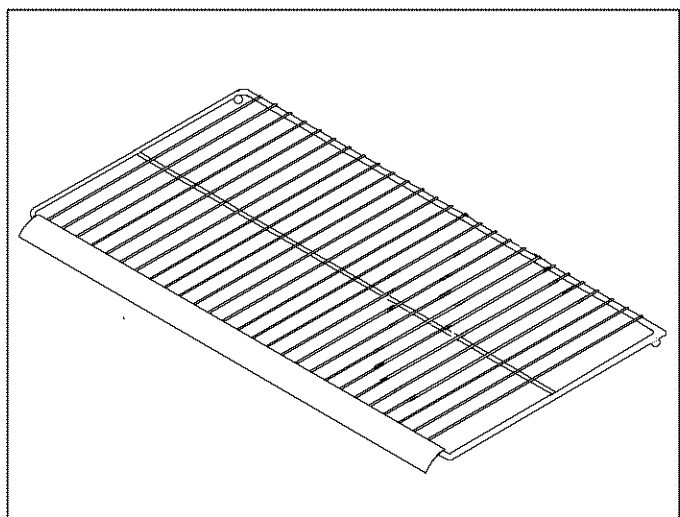
Bac à glace

Le bac à glace se trouve sous la grille utilitaire, sur la clayette métallique du congélateur.



Clayette métallique (certains modèles)

- Pour enlever la clayette métallique, tirer vers soi. Donner un coup sec si nécessaire.
- Pour remettre la clayette métallique en place, la faire coulisser vers l'arrière jusqu'à ce qu'elle se bloque place.



Entretien et nettoyage



MISE EN GARDE

Pour éviter tout risque d'électrocution pouvant causer des blessures graves voire mortelles, débrancher le réfrigérateur avant de le nettoyer. Une fois le nettoyage effectué, rebrancher l'appareil.



PRECAUCIÓN

Pour éviter tous dommages matériels ou blessures, lire et suivre toutes les consignes des fabricant concernant le nettoyage.

Indications générales

1. Nettoyer les surfaces et l'extérieur du réfrigérateur avec un linge doux et propre mouillé d'eau tiède additionnée de quatre cuillères à soupe de bicarbonate de soude par pinte (litre) d'eau.
2. Rincer à l'eau tiède. Sécher à l'aide d'un linge doux et propre.
3. NE PAS utiliser les articles et produits suivants :
 - Produits nettoyants abrasifs ou puissants tels qu'ammoniaque, eau de javel, etc.
 - Détergents concentrés ou solvants
 - Tampons à récurer métalliques. (Ces articles et produits peuvent érafler, fêler ou décolorer les surfaces du réfrigérateur.)
4. Ne pas laver les bacs, tablettes, etc. au lave-vaisselle.

Adhésifs

1. Enlever tout résidu de colle des surfaces de l'appareil en mettant un peu de dentifrice sur l'adhésif et en frottant avec les doigts jusqu'à ce que l'adhésif se détache.
2. Rincer à l'eau tiède. Sécher avec un linge doux et propre.

Joint des portes

1. Nettoyer les joints des portes tous les trois mois en suivant les indications générales mentionnées précédemment. Essuyer immédiatement tout liquide renversé.
2. Appliquer une fine couche de vaseline sur les joints pour qu'ils restent souples.

Serpentin du condenseur

Nettoyer le serpentin du condenseur se trouvant derrière la grille de ventilation tous les trois mois pour assurer une performance maximum du réfrigérateur. L'accumulation de poussière et de peluches peut entraîner les problèmes suivants:

- Efficacité réduite
- Consommation d'énergie plus grande
- Usure prématurée des pièces

1. Enlever la grille de ventilation en la tenant par les extrémités et en tirant vers soi.
2. Nettoyer l'avant du serpentin à l'aide de la buse du tuyau d'un aspirateur.
3. Remettre la grille de ventilation en place. Pour cela, insérer les attaches dans les trous et les cliquer en place.
4. Lever les pieds stabilisateurs (certains modèles) en les faisant tourner dans le sens contraire à celui des aiguilles d'une montre.



PRECAUCIÓN

Pour éviter tous dommages, protéger les planchers en vinyle ou de tout autre type avec du carton, de la moquette ou un autre matériau protecteur.

5. Éloigner le réfrigérateur du mur. Passer la brosse de l'aspirateur sur la grille, au dos du réfrigérateur.

Tablettes en verre



PRECAUCIÓN

Pour éviter tous dommages matériels ou blessures, manipuler les tablettes en verre trempé avec prudence. Celles-ci peuvent se briser brusquement si elles sont égratignées, ébréchées ou exposées à des changements brusques de température.

Enlever la tablette en verre en soulevant l'avant pour la décrocher de la crémaillère et en tirant vers soi, puis la placer sur un linge. La laisser venir à température ambiante avant de la nettoyer.

Nettoyer les interstices comme suit:

1. Diluer un détergent doux dans de l'eau et le faire pénétrer dans les interstices à l'aide d'une brosse en plastique. Laisser agir pendant 5 minutes.
2. Rincer à l'eau tiède en utilisant l'accessoire du robinet de l'évier pour vaporiser l'eau dans les interstices.
3. Bien sécher la tablette et la remettre en place en insérant les crochets dans la crémaillère, puis en abaissant l'avant.

Élimination des odeurs

1. Enlever toute la nourriture et débrancher l'appareil.
2. Nettoyer toutes les surfaces intérieures, y compris le plancher, les parois et le plafond en suivant les indications données sous "Indications générales" ci-dessus. Veiller à bien nettoyer dans les coins, les interstices et les rainures. Également nettoyer tous les bacs, les tablettes et les joints.
3. Rebrancher le réfrigérateur et y remettre la nourriture. Nettoyer et sécher tous les récipients. Mettre les aliments dans des récipients hermétiquement fermés pour empêcher la diffusion d'odeurs. Au bout de 24

Conseils pour les vacances

heures, vérifier si l'odeur est bien éliminée.

Si l'odeur n'a pas été éliminée, reprendre les étapes 4 à 9 ci-dessus.

- Placer les bacs à légumes sur la tablette supérieure du compartiment réfrigérateur. Remplir le compartiment réfrigérateur et le compartiment congélateur, y compris les portes, de papier journal chiffonné en boule.
- Placer des briquettes de charbon de bois par ci par là au milieu du papier journal.
- Fermer les portes et laisser agir 24 à 48 heures.
- Enlever le charbon de bois et le papier journal.
- Reprendre les étapes 2 et 3.

Si l'odeur n'a toujours pas été éliminée, contacter un centre de service après-vente Sears.

Remplacement des ampoules électriques



MISE EN GARDE

Pour éviter des blessures graves ou le décès par électrocution, débrancher le réfrigérateur avant de remplacer l'ampoule. Une fois l'ampoule remplacée, rebrancher le réfrigérateur.

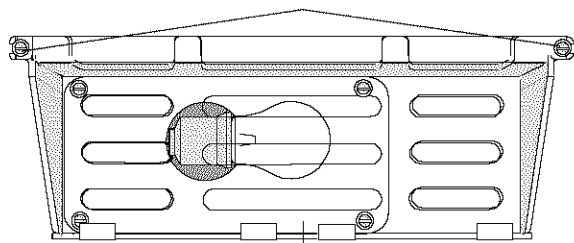


PRECAUCIÓN

Pour éviter tous dommages matériels ou blessures, procéder comme suit:

- Laisser l'ampoule refroidir.
 - Porter des gants pour remplacer l'ampoule.
- Retirer le couvre-ampoule en enlevant les vis à tête hexagonale de 1/4 po (6 mm). Remplacer par une ampoule **n'excédant pas 60 watts**.
 - Remettre le couvre-ampoule en place en remettant les vis à tête hexagonale de 1/4 po (6 mm) en place.

1/4" Vis à tête hexagonale de 1/4 po (6mm)



Couvre-ampoule

Pour les vacances de courte durée, procéder comme suit :

- Enlever les denrées périssables.
- Si le réfrigérateur est équipé d'un appareil à glace, placer le bras-levier en position *off* (*position d'arrêt*). (Voir la partie "Appareil à glace", page 52.)

Pour les vacances de longue durée, procéder comme suit

- Enlever les aliments des compartiments congélateur et réfrigérateur.
- Débrancher l'appareil.
- Nettoyer l'appareil, joints compris, en suivant les indications générales fournies dans la section "Entretien" du manuel.
- Ouvrir et bloquer les portes de façon à ce que l'air circule à l'intérieur des compartiments.
- Si le réfrigérateur est équipé d'un appareil à glace, couper l'alimentation en eau à l'appareil et mettre le bras-levier en position *off* (*arrêt*). (Voir la partie "Appareil à glace", page 52.)

Conseils pour des économies d'énergie

Ce réfrigérateur est conçu pour être l'un des plus économes en énergie qui existent. Pour réduire encore la consommation d'électricité, observer les consignes suivantes:

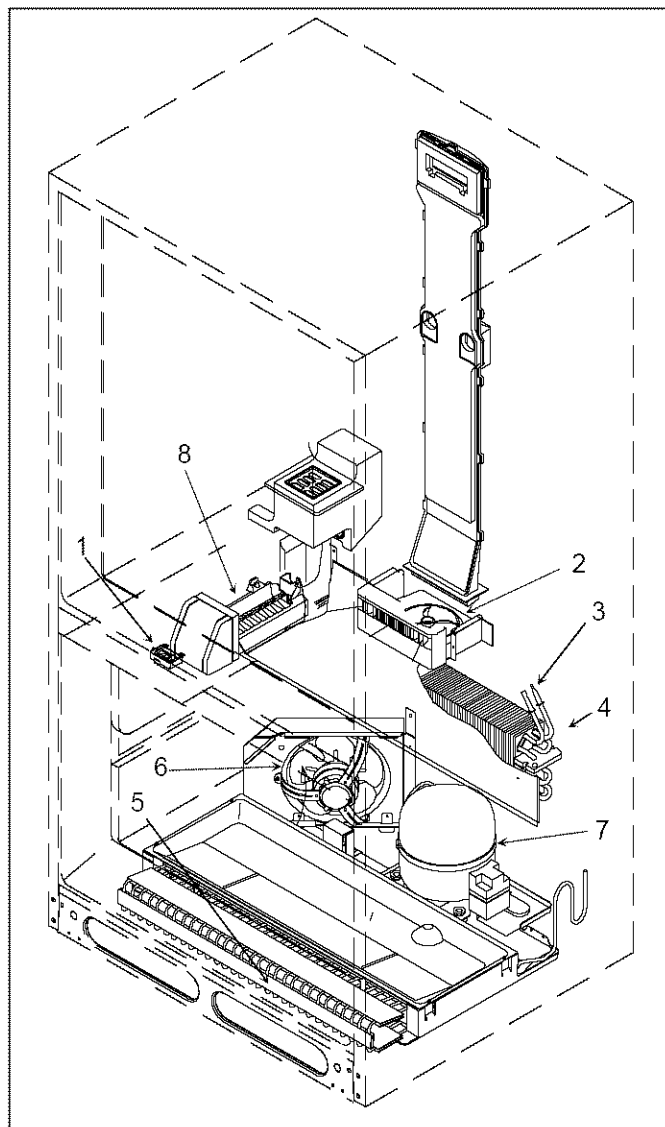
- Faire fonctionner le réfrigérateur à température normale, de 55° à 110° F (13° à 43° C), loin de toute source de chaleur ou de la lumière directe du soleil.
- Régler le thermostat des compartiments congélateur et réfrigérateur et du bac à viande à température contrôlée sur un réglage qui ne soit pas à une température plus froide que nécessaire.
- Garder le compartiment congélateur plein.
- Garder les joints des portes propres et souples. Les remplacer s'ils sont usés.
- Garder les serpentins du condenseur propres.

Bruits normaux

Ce réfrigérateur peut remplacer un modèle d'une conception différente, à plus grande consommation en électricité ou plus petit. Les réfrigérateurs actuels sont dotés de nouveaux composants et de nouvelles fonctions et ils consomment moins d'électricité. Il en résulte qu'ils peuvent produire des bruits qui ne vous sont pas familiers. Ces bruits sont normaux et vous seront rapidement familiers. Ils indiquent également que le réfrigérateur est en marche et qu'il fonctionne comme prévu.

1. **Le thermostat du congélateur** produit un "clac" lors de la mise en marche et de l'arrêt du compresseur.
2. **Le ventilateur du congélateur** ronronne et l'air brassé produit un certain bruit.
3. **Le système de réfrigération scellé** (évaporateur/ échangeur de chaleur) contient du liquide réfrigérant qui fait différents bruits de liquide, y compris celui de l'eau qui bout.
4. **La résistance de dégivrage** grésille, siffle ou produit des claquements.
5. **La minuterie du dégivrage** produit un bruit de minuterie et des déclics relativement bruyants lorsqu'elle enclenche ou arrête le cycle de dégivrage.
6. **Le ventilateur du condenseur** ronronne et l'air brassé produit un certain bruit.
7. **Le compresseur** produit un ronronnement aigu ou des bruits de pulsations. Il s'arrête et redémarre.
8. **Les cubes de glace** de l'appareil à glace (certains modèles) tombent dans le bac à glace.
9. **L'électrovanne de l'appareil à glace** (certains modèles) produit un ronronnement lorsque l'appareil à glace se remplit d'eau. Ce bruit se produit que le réfrigérateur soit relié à l'alimentation en eau ou non. Si le réfrigérateur n'est pas relié à l'alimentation en eau, arrêter le bruit en levant le bras-levier de l'appareil à glace en position "off" (arrêt). Le raccordement de l'électrovanne se trouve derrière le ventilateur du condenseur, à l'arrière du réfrigérateur.

Remarque : La mousse est un excellent isolant sur le plan thermique et de la consommation d'électricité. Ce n'est cependant pas un isolant acoustique aussi efficace que la fibre de verre, qui était utilisée auparavant dans les réfrigérateurs.



Avant d'appeler le service de dépannage

Problème	Solution
Le réfrigérateur ne fonctionne pas.	<ul style="list-style-type: none"> • Vérifier que le thermostat du compartiment congélateur est sur un réglage de marche. • Vérifier que le réfrigérateur est branché. S'il ne l'est pas, brancher fermement le cordon dans une prise sous tension de la tension qui convient. • Vérifier le fusible ou le disjoncteur. Brancher un autre appareil dans la prise murale. S'il ne fonctionne pas, remplacer le fusible ou réenclencher le disjoncteur. • Si le thermostat est sur un réglage de marche, que la lumière s'allume mais que les deux ventilateurs et le compresseur ne fonctionnent pas, il se peut que le réfrigérateur soit en cycle de dégivrage. Attendre 40 minutes et vérifier si le réfrigérateur s'est remis en marche.
Le réfrigérateur ne fonctionne toujours pas.	<ul style="list-style-type: none"> • Débrancher le réfrigérateur. Transférer son contenu dans un autre réfrigérateur ou mettre de la glace carbonique dans le compartiment congélateur pour protéger la nourriture. Appeler le service de dépannage.
Les denrées ne semblent pas assez froides.	<ul style="list-style-type: none"> • Voir les points ci-dessus. • Laisser à l'appareil suffisamment de temps pour que les aliments non froids récemment ajoutés puissent atteindre la température voulue dans les compartiments réfrigérateur ou congélateur. L'ajout de nourriture augmente la température dans le réfrigérateur et celui-ci peut prendre quelques heures avant de revenir à sa température de fonctionnement normale. • Vérifier que les joints assurent la fermeture hermétique des portes. • Nettoyer le serpentín du condenseur. Voir sous "Serpentins du condenseur" dans la partie "Entretien". • Ajuster le thermostat des compartiments réfrigérateur et congélateur. Voir sous "Réglage des thermostats" dans la partie "Commandes". • La lumière du compartiment réfrigérateur ou congélateur reste allumée. Le cas échéant, retirer l'ampoule et appeler le service après-vente. • Les orifices de ventilation sont bloqués, ce qui réduit la circulation d'air. Les localiser en passant la main pour sentir d'où l'air vient et déplacer les paquets qui bloquent les orifices de ventilation et ainsi la circulation d'air.
Le bac à viande à température contrôlée est à une température insuffisamment froide.	<ul style="list-style-type: none"> • Mettre le thermostat sur un réglage plus froid. • Mettre le thermostat du compartiment congélateur sur un réglage plus froid. Voir sous "Réglage des thermostats" dans la partie "Commandes".
Les denrées sont trop froides.	<ul style="list-style-type: none"> • Nettoyer le serpentín du condenseur. Voir sous "Serpentins du condenseur" dans la partie "Entretien". • Ajuster le thermostat du compartiment réfrigérateur. Voir sous "Réglage des thermostats" dans la partie "Commandes". • Mettre le thermostat du compartiment congélateur sur un réglage moins froid. Voir sous "Réglage des thermostats" dans la partie "Commandes". Attendre plusieurs heures que la température se stabilise.

Avant d'appeler le service de dépannage

Problème	Solution
Le réfrigérateur se met en marche trop fréquemment.	<ul style="list-style-type: none"> • Cela peut être nécessaire pour maintenir la température au niveau désiré. • Les portes ont pu être ouvertes trop souvent ou trop longtemps. Lorsque la porte est ouverte, l'air chaud et humide pénètre dans le réfrigérateur. Plus la porte est ouverte, plus le réfrigérateur a d'air chaud à refroidir. • Laisser à l'appareil suffisamment de temps pour que des aliments non froids récemment ajoutés puissent atteindre la température voulue dans les compartiments réfrigérateur ou congélateur. Il peut falloir plusieurs heures avant que le réfrigérateur ne retourne à sa température normale. • Nettoyer le serpentin du condenseur. Voir sous "Serpentins du condenseur" dans la partie "Entretien". • Ajuster le thermostat du compartiment congélateur. Voir sous "Réglage des thermostats" dans la partie "Commandes". • Vérifier que les joints assurent la fermeture hermétique des portes. • La lumière du compartiment congélateur reste allumée. Le cas échéant, retirer l'ampoule et appeler le service après-vente.
Des gouttes d'eau se forment à l'intérieur du réfrigérateur.	<ul style="list-style-type: none"> • Ceci est normal pendant les périodes de forte humidité ou si les portes sont fréquemment ouvertes. • Bien enrober les aliments et essuyer les récipients humides avant de les placer dans le réfrigérateur afin d'éviter toute accumulation d'humidité.
Des gouttes d'eau se forment à l'extérieur du réfrigérateur.	<ul style="list-style-type: none"> • Vérifier que les joints des portes ferment hermétiquement. • Ceci est normal pendant les périodes de forte humidité ou si les portes sont fréquemment ouvertes.
Les bacs à légumes ou le bac à température contrôlée ne se ferment pas facilement (certains modèles).	<ul style="list-style-type: none"> • Vérifier que des denrées ne gênent pas leur fermeture. • Vérifier que les bacs sont correctement en place. • Nettoyer les glissières à l'eau savonneuse tiède, les rincer et les sécher à fond. • Enduire les glissières d'une fine couche de vaseline. • Vérifier si le réfrigérateur est de niveau.
Il y a une odeur dans le réfrigérateur.	<ul style="list-style-type: none"> • Voir les explications fournies sous "Élimination des odeurs" dans la partie "Entretien" de ce manuel.
Le réfrigérateur produit des bruits inhabituels ou paraît trop bruyant.	<ul style="list-style-type: none"> • Ces bruits peuvent être normaux. Voir les explications fournies sous "Bruits normaux".
Les cubes de glace ont une odeur.	<ul style="list-style-type: none"> • Voir les explications sous "Élimination des odeurs" dans la partie "Entretien" de ce manuel. • L'appareil à glace vient d'être installé. Jeter les premiers lots de glace pour éviter des cubes de glace décolorés ou qui ont un goût. • La nourriture n'est pas emballée hermétiquement dans le congélateur ou le réfrigérateur. La réemballer car les odeurs peuvent alors passer dans la glace. • Jeter les cubes de glace et nettoyer le bac à glace ou les moules à cubes de glace plus fréquemment. Les cubes de glace sont très poreux et absorbent facilement les odeurs. • L'alimentation en eau contient des minéraux comme le soufre. Dans certains cas, un filtre pourra devoir être installé sur la conduite pour éliminer les problèmes de mauvais goût et d'odeur.

Avant d'appeler le service de dépannage

Problème	Solution
Les cubes de glace s'agglomèrent ou "rétrécissent".	<ul style="list-style-type: none"> Vider le bac ou les moules à cubes de glace plus fréquemment. S'ils ne sont pas utilisés fréquemment, les cubes de glace peuvent s'agglomérer ou diminuer.
L'appareil à glace ne produit pas de cubes de glace.	<ul style="list-style-type: none"> La pression de l'eau peut être trop faible ou trop élevée. L'appareil à glace exige une pression de l'alimentation en eau de 20 à 100 psi (138 à 827 kPa) pour fonctionner correctement. Vérifier que le bras-levier est abaissé. Voir sous "Appareil à glace". Vérifier que l'alimentation en eau de la maison arrive à l'électrovanne. S'assurer que le robinet d'arrêt de l'alimentation en eau est bien ouvert. Vérifier que le faisceau de câbles de l'appareil à glace est inséré à fond dans les trous appropriés. Vérifier que la conduite en cuivre ou la tubulure en plastique ne sont pas pliées. Redresser la conduite ou la tubulure ou les remplacer. Vérifier les connexions électriques de l'électrovanne et de la barrette à bornes de l'armoire du réfrigérateur. S'il y a un filtre d'eau sur la conduite d'eau à l'extérieur du réfrigérateur, vérifier que celui-ci n'est pas bouché et qu'il est correctement installé.
L'appareil à glace ne produit pas assez de glace.	<ul style="list-style-type: none"> Un robinet auto-taraudeur ou un robinet à étrier de $\frac{3}{16}$ po (5 mm) a été utilisé pour le raccordement. L'une comme l'autre réduisent le débit d'eau et peuvent se boucher au fil des années. Les remplacer par un robinet d'arrêt exigeant le percement d'un trou de $\frac{1}{4}$ po (6 mm) dans la conduite d'alimentation en eau avant d'y fixer le robinet. Vérifier que la conduite en cuivre ou la tubulure en plastique ne sont pas pliées. Redresser la conduite ou la tubulure ou les remplacer. Vérifier que le compartiment congélateur fonctionne à la bonne température. Celui-ci doit être suffisamment froid pour produire de la glace. Voir sous "Réglage des thermostats". Un robinet auto-taraudeur ou un robinet à étrier de $\frac{3}{16}$ po (5 mm) a été utilisé pour le raccordement. L'une comme l'autre réduisent le débit d'eau et peuvent se boucher au fil des années. Les remplacer par un robinet d'arrêt exigeant le percement d'un trou de $\frac{1}{4}$ po (6 mm) dans la conduite d'alimentation en eau avant d'y fixer le robinet. Vérifier que la conduite en cuivre ou la tubulure en plastique ne sont pas pliées. Redresser la conduite ou la tubulure ou les remplacer. Vérifier que le compartiment congélateur fonctionne à la bonne température. Celui-ci doit être suffisamment froid pour produire de la glace. Voir sous "Réglage des thermostats".
De la glace se forme dans la tubulure d'arrivée de l'appareil à glace.	<ul style="list-style-type: none"> Vérifier la pression de l'eau. Une pression insuffisante provoque des fuites au niveau de l'électrovanne.

**In U.S.A. or Canada
for in-home major brand repair service:**

Call 24 hours a day, 7 days a week

1-800-4-MY-HOMESM (1-800-469-4663)

Para pedir servicio de reparación a domicilio – 1-800-676-5811

Au Canada pour tout le service ou les pièces – 1-800-469-4663

For the repair or replacement parts you need:

Call 6 a.m. – 11 p.m. CST, 7 days a week

PartsDirectSM

1-800-366-PART (1-800-366-7278)

Para ordenar piezas con entrega a domicilio – 1-800-659-7084

For the location of a Sears Service Center in your area:

Call 24 hours a day, 7 days a week

1-800-488-1222

To purchase or inquire about a Sears Maintenance Agreement:

Call 7 a.m. – 5 p.m. CST, Monday – Saturday

1-800-827-6655

