

**Owner's Manual**  
**Manual del Propietario**



**Canister Vacuum Cleaner**  
**Aspiradora**

Model, Modelo 721.23195



ENGLISH

ESPAÑOL

Sears, Roebuck and Co., Hoffman Estates, IL 60179 U.S.A  
[www.sears.com](http://www.sears.com)

PART No.: 3828Fi3763V

Printed in KOREA

# TABLE OF CONTENTS

<p><b>Before Using Your New Vacuum</b> .....2</p> <p><b>Kenmore Vacuum Cleaner Warranty</b> .....2</p> <p><b>Important Safety Instructions</b> .....3</p> <p><b>Parts and Features</b> .....4</p> <p><b>Assembly</b> .....5</p> <p><b>Use and Care</b> .....6</p> <p>How Your Vacuum Works .....6</p> <p>How to Start Your Vacuum .....6</p> <p>Attachments .....7</p> <p>Attachments Use Chart.....7</p> <p>Vacuuming Tips .....8</p>	<p>Performance Features .....8</p> <p>Changing The Dust Bag .....9</p> <p>Cleaning Motor Safety Filter .....9</p> <p>Cleaning Exterior and Attachments .....10</p> <p>Storing Your Vacuum .....10</p> <p>Cleaning Air-Turbine Brush Nozzle .....11</p> <p>Belt changing and brush cleaning .....11</p> <p><b>Trouble Shooting</b> .....13</p> <p><b>Parts List</b> .....14~16</p> <p><b>Español</b> .....17</p> <p><b>Service</b> .....Back Cover</p>
--	---

## BEFORE USING YOUR NEW VACUUM

Please read this guide. It will help you assemble and operate your new Kenmore vacuum in the safest and most effective way.

For more information about vacuum care and operation, call your nearest Sears store. You will need the complete model and serial numbers when requesting information. Your vacuum's model and serial numbers are located on the Model and Serial Number Plate. Use the space below to record the model number and serial number of your new Kenmore vacuum.

Model No. \_\_\_\_\_

Serial No. \_\_\_\_\_

Date of Purchase \_\_\_\_\_

Keep this book and your sales check (receipt) in a safe place for future reference.

## KENMORE VACUUM CLEANER WARRANTY

**LIMITED ONE YEAR WARRANTY ON KENMORE VACUUM CLEANER**

This warranty is for one year from the date of purchase, and includes only private household vacuum cleaner use. During the warranty year, when this vacuum cleaner is operated and maintained according to the owner's manual instructions, Sears will repair any defects in material or workmanship free of charge.

This warranty excludes vacuum bags, belts, light bulbs, and filters, which are expendable parts and become worn during normal use.

**For warranty service, return this vacuum cleaner to the nearest Sears Service Center in the United States.**

This warranty applies only while this product is in use in the United States. This warranty gives you specific legal rights, and you may also have other rights which vary from state to state.

**Sears, Roebuck and Co., D/817WA, Hoffman Estates, IL 60179**

# IMPORTANT SAFETY INSTRUCTIONS



## WARNING

**Your safety is important to us. To reduce the risk of fire, electrical shock, injury to persons or damage when using your vacuum cleaner, follow basic safety precautions including the following:**

**Read** this manual before assembling or using your vacuum cleaner.

**Use** your cleaner only as described in this manual. Use only with supplied attachments.

**To reduce the risk of electrical shock - Do not** use outdoors or on wet surfaces.

**Disconnect** electrical supply before servicing or cleaning out brush area. Failure to do so could result in electrical shock or brush suddenly starting.

**Always** turn cleaner off before connecting or disconnecting the hose.

**Always** turn cleaner off before unplugging.

**Do not** unplug by pulling on cord. To unplug, grasp the plug, not the cord.

**Hold** plug when rewinding onto cord reel.

**Do not** allow plug to whip when rewinding.

**Do not** use with damaged cord or plug. If cleaner is not working as it should, has been dropped, damaged, left outdoors, or dropped into water.

**Do not** pull or carry by cord, use cord as a handle, close door on cord, or pull cord around sharp edges or corners. Do not run cleaner over cord. Keep cord away from heated surfaces.

**Do not** leave cleaner when plugged in. Unplug from outlet when not in use and before servicing.

**Do not** allow to be used as a toy. Close attention is necessary when used by or near children.

**Do not** handle plug or cleaner with wet hands.

**Do not** operate the cleaner with a punctured hose. Replace if cut or worn. Avoid vacuuming sharp objects.

**Do not** use with any opening blocked; keep free of dust, lint, hair and anything that may reduce air flow.

**Keep** hair, loose clothing, fingers, and all parts of body away from openings and moving parts.

**Do not** use cleaner without dust bag and/or filters in place.

**Always** change the dust bag after vacuuming carpet cleaners or freshener, powders and fine dust. These products clog the bag, reduce airflow and can cause the bag to burst. Failure to change bag could cause permanent damage to the cleaner.

**Do not** use the cleaner to pick up sharp hard objects, small toys, pins, paper, etc. They may damage the cleaner or dust bag.

**Do not** pick up anything that is burning or smoking, such as cigarettes, matches, or hot ashes.

**Do not** use vacuum cleaner

to pick up flammable or combustible liquids (gasoline, cleaning fluids, perfumes, etc.), or use in areas where they may be present. The fumes from these substances can create a fire hazard or explosion.

**Use extra care** when cleaning on stairs. Do not put on chairs, tables, etc. Keep on floor.

**You** are responsible for making sure that your vacuum cleaner is not used by anyone unable to operate it properly.

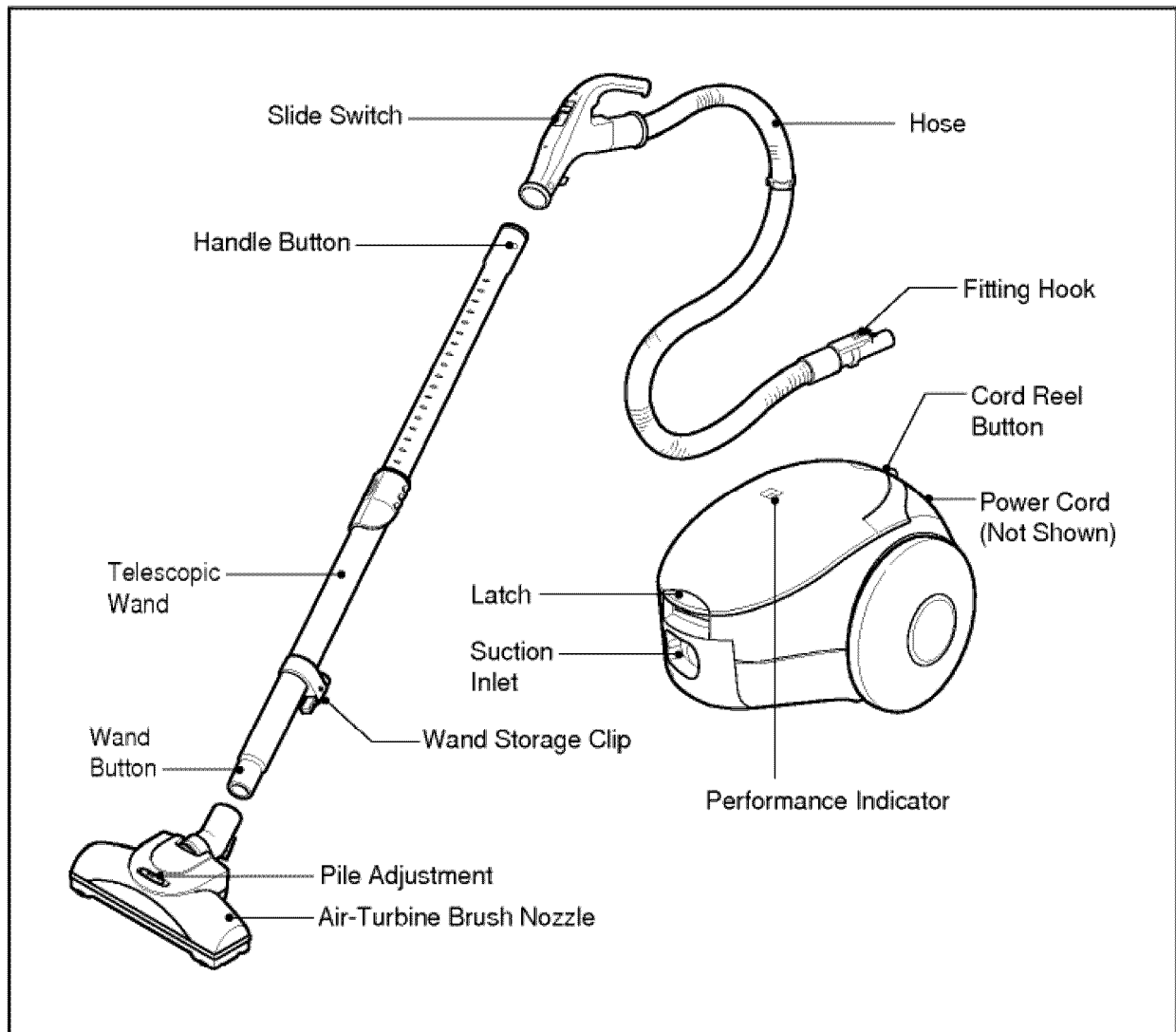
ENGLISH

## SAVE THESE INSTRUCTIONS

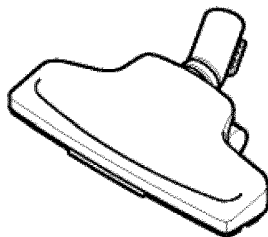
Proper assembly and safe use of your vacuum cleaner are your responsibilities. Your cleaner is intended only for household use. Read this Owner's Manual carefully for important use and safety information. This guide contains safety statements under warning and caution symbols. Please pay special attention to these boxes and follow any instructions given. **WARNING** statements alert you to such hazards as fire, electrical shock, burns and serious personal injury. **CAUTION** statements alert you to such hazards as moderate personal injury and/or property damage.

## PARTS AND FEATURES

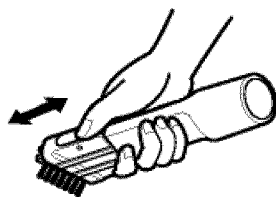
It is important to know your vacuum cleaner's parts and features to assure its proper and safe use. Review these before using your cleaner.



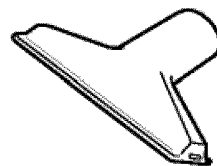
## ATTACHMENTS



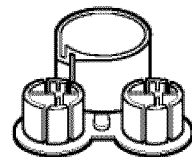
Floor Nozzle



Brush/Crevise Tool



Upholstery Nozzle



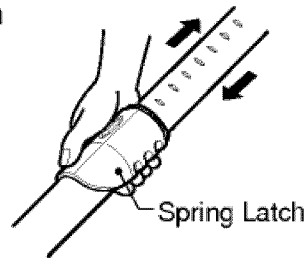
Accessory Holder

## ASSEMBLY

Before assembling your vacuum cleaner, be sure you have all the parts shown in PARTS AND FEATURES.

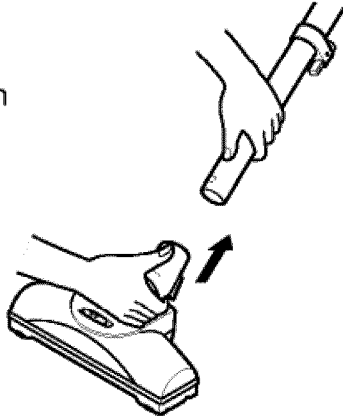
### TELESCOPIC WAND

Hold spring latch and pull out or push in wand to required length.

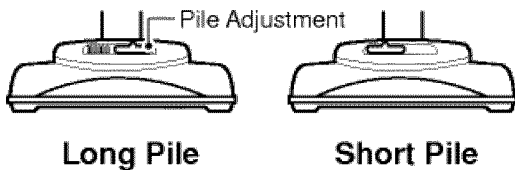


### AIR-TURBINE BRUSH NOZZLE

1. Insert wands into the Air-Turbine Brush Nozzle.

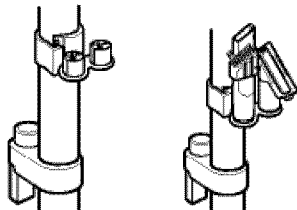


2. Slide the Pile Adjustment to the right for long pile and to the left for short pile.



### ATTACHMENTS

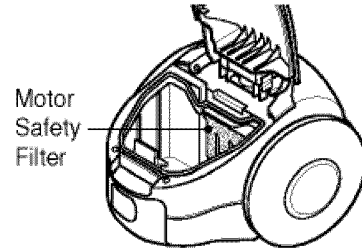
Clamp Accessory Holder around Telescopic Wand as shown.



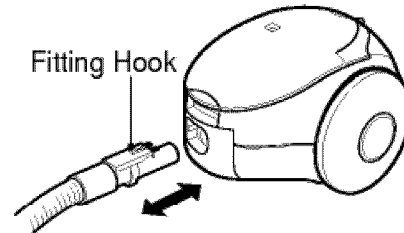
Accessories can be stored in the holder.

### CANISTER

1. Open the canister hood.
2. Check to see that the dust bag is properly installed. See CHANGING THE DUST BAG for instructions.
3. Check to see that the motor safety filter is properly installed. See CLEANING MOTOR SAFETY FILTER for instructions.



### HOSE

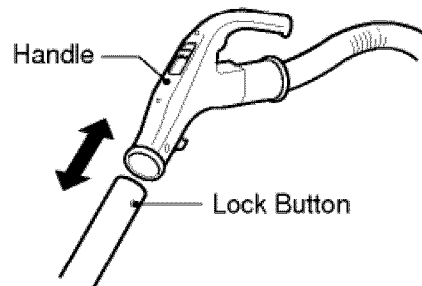


1. Insert hose into canister until it snaps into place.

**To remove hose:** Push hose fitting hook down and pull out.

2. Insert wand into handle until lock button snaps into place.

**To remove handle:** Press lock button in and pull up on handle.



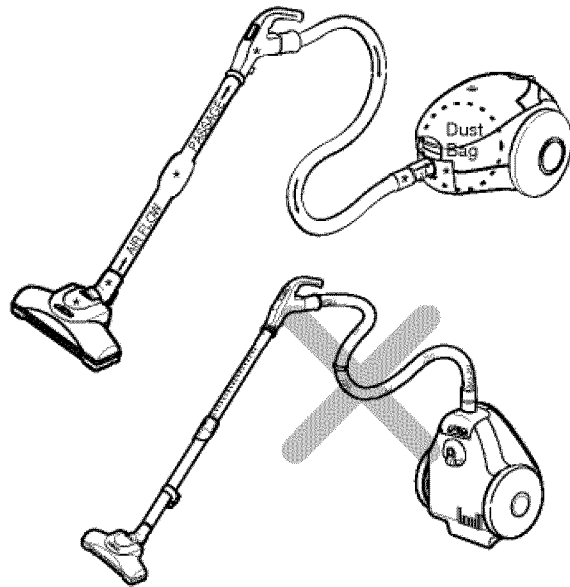
ENGLISH

# USE AND CARE

## HOW YOUR VACUUM WORKS

The vacuum cleaner creates suction that picks up dirt. Rapidly moving air carries the dirt to the dust bag through the air flow passages. The dust bag lets the air pass through, while it traps the dirt. For best cleaning results, keep the airflow passage open. Check the starred areas occasionally for clogs. Unplug from outlet before checking.

**NOTE:** Do not stand canister body on its end while operating or you will block the exhaust vents.



## HOW TO START YOUR VACUUM

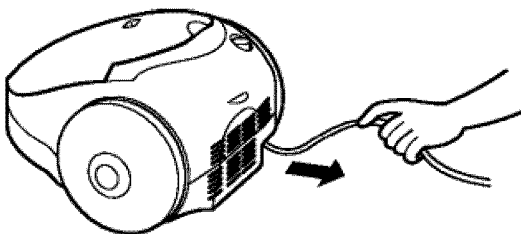


### WARNING

**Personal Injury and Product Damage Hazard!**

- **DO NOT** plug in if switch is in **ON** position. Personal injury or damage could result.
- The cord moves rapidly when rewinding. Keep children away and provide a clear path when rewinding the cord to prevent personal injury.
- **DO NOT** use outlets above counters. Damage to items in surrounding area could occur.

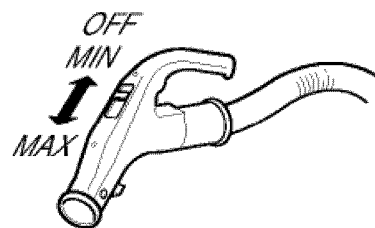
1. Pull out the power cord to the desired length.



**NOTE:** To reduce the risk of electric shock, this vacuum cleaner has a polarized plug; one blade is wider than the other. This plug will fit in a polarized outlet only one way. If the plug does not fit fully in the outlet, reverse the plug. If it still does not fit, contact a qualified electrician to install the proper outlet. Do not change the plug in any way.

2. Plug the polarized power cord into a 120 Volt outlet located near the floor.  
**To rewind:** Unplug the cleaner. Hold the plug while rewinding to prevent damage or injury from the moving cord. Press on the cord reel button to rewind the cord.

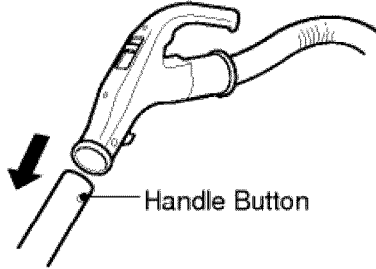
3. To start, push slide switch down toward **MAX**. To stop, raise slide up to **OFF**.



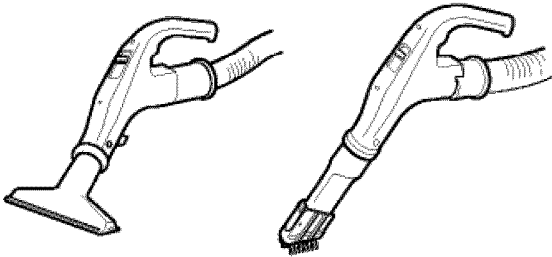
# ATTACHMENTS

## ATTACHMENTS ON HANDLE

1. Press handle button on wand and remove it from handle.

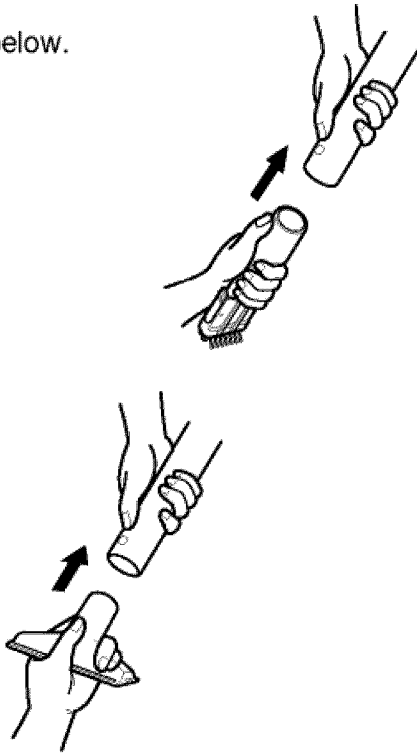


2. Push new attachment tool onto handle.



## ATTACHMENTS ON WANDS

Put on attachments as needed.  
See chart below.



**ENGLISH**

# ATTACHMENT USE CHART

ATTACHMENT	CLEANING AREA						
	Furniture*	Between Cushions*	Drapes*	Stairs	Bare Floors	Carpeted Floors/Rugs	Walls
BRUSH/ CREVICE TOOL	X	X	X				X
UPHOLSTERY NOZZLE	X		X				
FLOOR NOZZLE				X	X		X
AIR-TURBINE BRUSH NOZZLE				X		X	

\* Always clean attachments before using on fabrics.

## VACUUMING TIPS

### Suggested sweeping pattern

For best cleaning action, the **Air-Turbine Brush Nozzle** should be pushed straight away from you and pulled straight back. This pattern should be continued across the rug with slow, gliding motions.

**NOTE:** Fast, jerky strokes do not provide complete cleaning.

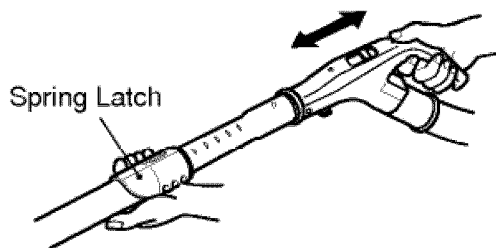
**Carpeted stairs** need to be vacuumed regularly. For best cleaning results, put the slide switch on MAX.

**For best cleaning results**, keep the airflow passage open. Check occasionally for clogs. See HOW YOUR VACUUM WORKS section. **Unplug from outlet before checking.**

## PERFORMANCE FEATURES

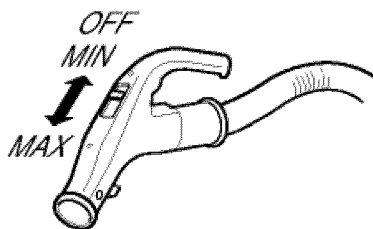
### ONE-TOUCH CONTROL

The length of wand can be changed by one touch quickly and easily. Adjust the length of wand as shown.



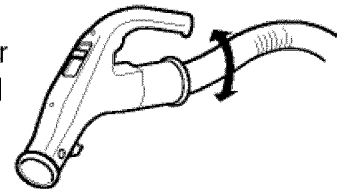
### SUCTION CONTROL

The handle slide switch allows you to change the vacuum suction for different fabric and carpet weights. Adjust the suction power with slide switch in the handle.



### HOSE SWIVEL

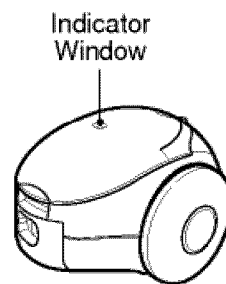
The hose swivel prevents the hose from twisting. This is helpful for cleaning in small areas.



### PERFORMANCE INDICATOR

When the unit is running, the indicator windows will be green if there are no clogs.

When the indicator window turns completely red, check if the dust bag is full or if other areas are clogged. See HOW YOUR VACUUM WORKS.



**NOTE:** Indicator window may turn red when using attachments or when cleaning new carpet. This is due to reduced airflow caused by the vacuum seal between attachment and surface, or new carpet fuzz filling the bag quickly. Restore airflow by raising attachment slightly from surface you are cleaning, or replace bag if it is full.



## CHANGING THE DUST BAG

For best cleaning results, the dust bag should be changed often.

1. Unplug cord from wall outlet.
2. Pull lid release out and up, then lift canister hood.
3. Press back the bag mount latch



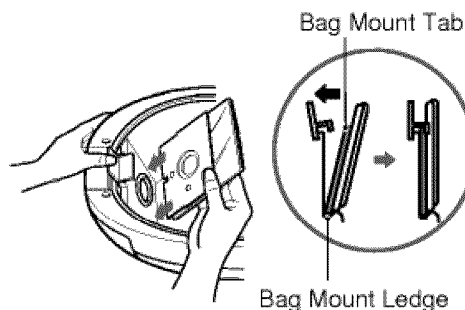
Bag Mount Latch



### CAUTION

**NEVER REUSE A DUST BAG.** Very fine materials, such as carpet freshener, face powder, fine dust, plaster, soot, new carpet lint, etc., can clog the bag and cause it to burst before it is full. Change bag more often when vacuuming these materials.

4. Remove the bag and throw it away.
5. To insert new dust bag:
  - Press back the bag mount latch.
  - Fit bottom edge of bag mount tab onto bag mount ledge.
  - Pull bag mount tab flush with suction inlet hole.
  - Release bag mount latch over top edge of bag mount tab to secure bag in canister. (Dust Bag No. 20-51195)



6. Close and latch canister hood.

**NOTE:** The vacuum is fitted with a safety device which prevents you from closing the canister hood if the bag is not fitted correctly.

7. Plug cord into wall outlet.

ENGLISH

## CLEANING MOTOR SAFETY FILTER



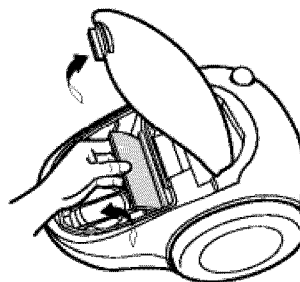
### WARNING

**Electrical Shock Hazard**  
Do not operate the cleaner without the motor safety filter. Be sure the filter is dry and properly installed to prevent motor failure and/or electrical shock.

Check motor safety filter occasionally and clean when dirty.

1. Unplug cord from wall outlet and remove bag.

2. Pull out safety filter as shown.



3. Wash filter in warm soapy water, rinse, then dry. **Do not clean in dishwasher or install while damp.**
4. Insert filter back into canister.
5. Insert bag.

## CLEANING EXTERIOR AND ATTACHMENTS

1. Unplug cord from wall outlet. **DO NOT drip water on cleaner.**
2. Clean vacuum exterior using a clean, soft cloth that has been dipped in clean water, then wrung out. Wipe dry after cleaning.

**NOTE:** Regular cleaning helps to reduce static electricity and dust buildup on outer surfaces of cleaner and attachments.



### CAUTION

**DO NOT use attachments if they are wet. Damage to dust bag and motor may occur.**

**Attachments used in dirty areas, such as under a refrigerator, should not be used on other surfaces until they are washed since they could leave marks.**

## STORING YOUR VACUUM

When not in use, attach wand assembly to canister by inserting wand storage clip holder into hole in canister body as shown Fig. 1 or insert nozzle clip into storage clip holder as shown in Fig. 2. Attach hose storage clip to handle. Store in upright position only.

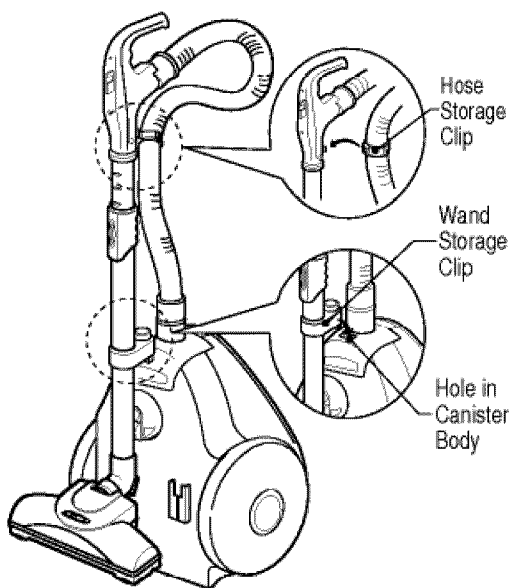


Fig. 1

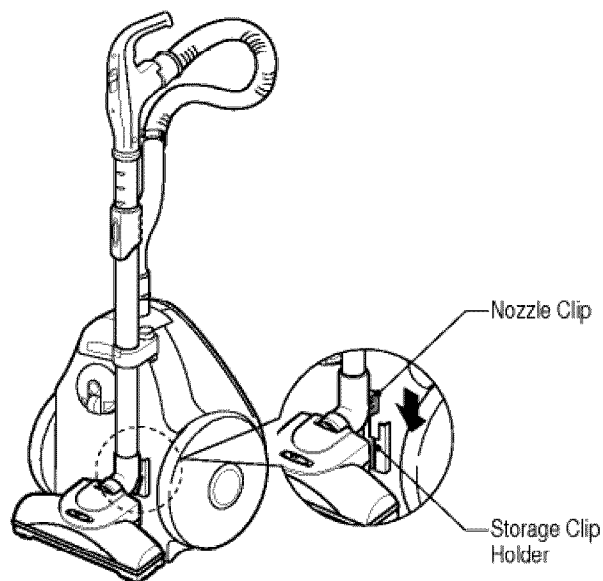
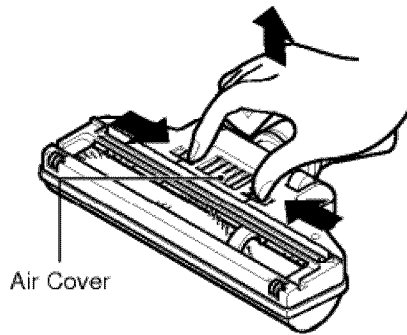


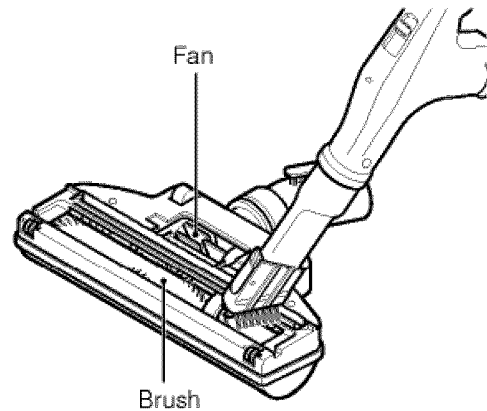
Fig. 2

## CLEANING AIR-TURBINE BRUSH NOZZLE

1. Press the button on the rear side of the vacuum nozzle to separate air cover.



2. Use the brush/crevice tool attachment to vacuum clean the brush and fan.



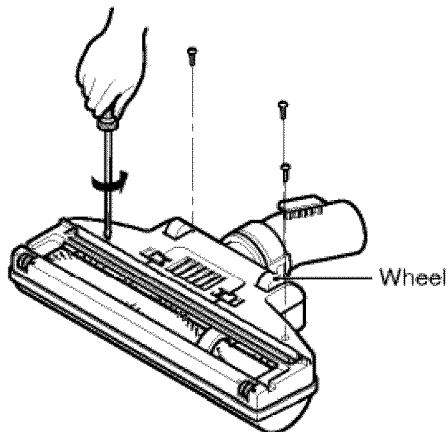
ENGLISH

## BELT CHANGING AND BRUSH CLEANING

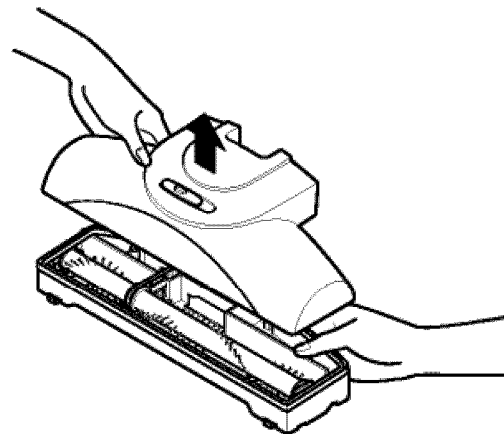
Disconnect cleaner from electrical outlet. Check and remove hair, string and lint build-up frequently in the Air-Turbine Brush Nozzle Brush and brush support areas. If build-up becomes excessive, disconnect Air-Turbine Brush Nozzle from Telescopic wand.

### TO REMOVE BELT:

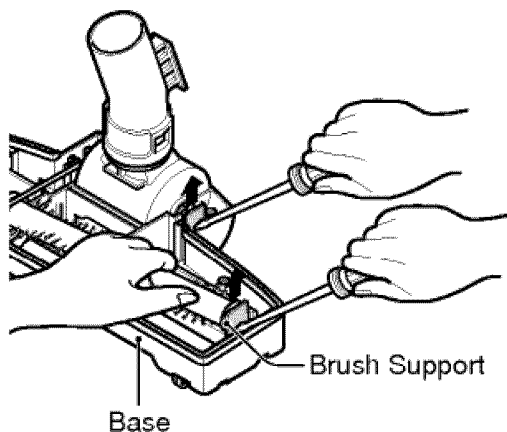
1. Turn Air-Turbine Brush Nozzle upside down.
2. Unscrew the four Air-Turbine Brush Nozzle cover screws.



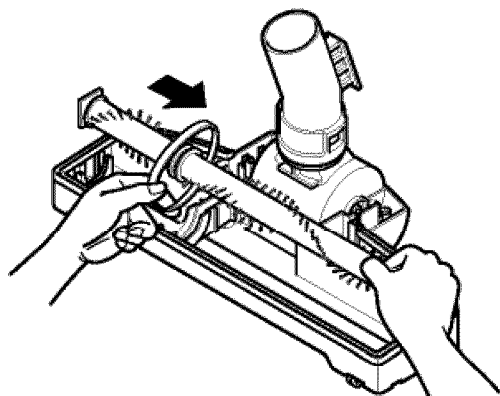
3. Turn Air-Turbine Brush Nozzle rear side up and tilt cover forward from back until front snaps free.



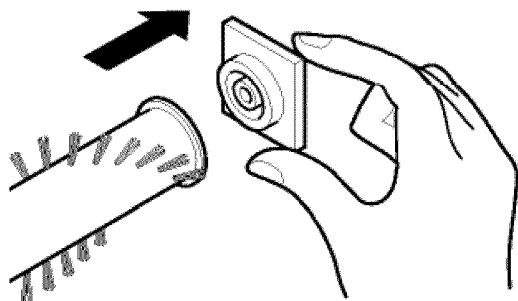
- Carefully insert and lift screwdriver at each brush support to free brush from base.



- Remove worn belt.

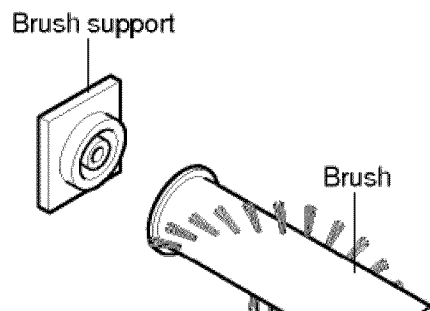


- Slide brush supports off to check and clean brush support areas. See **PARTS LIST** for picture of complete brush assembly.

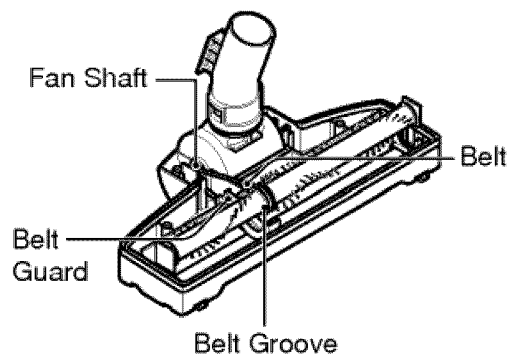


## TO REPLACE BELT:

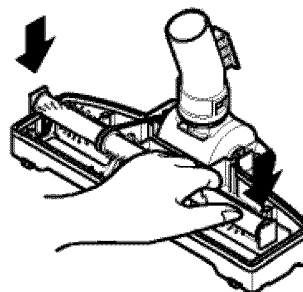
- Install brush supports onto brush.



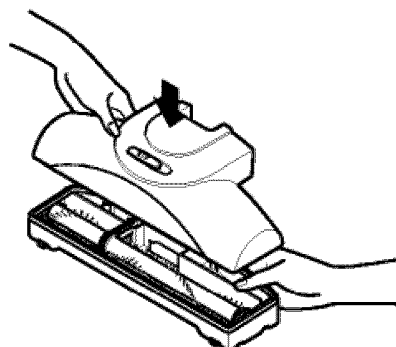
- Install new belt in belt groove on the brush, then over the fan shaft. Be sure belt is between the belt guards.



- Insert each support into its base slot.



- Push cover and base together.



## TROUBLE SHOOTING

Review this chart to find do-it-yourself solutions for minor performance problems. Any other service needed should be performed by a Sears or other qualified service representative.



### WARNING

### Electrical Shock Hazard

**Disconnect electrical supply before servicing or cleaning the unit.  
Failure to do so could result in electrical shock or personal injury.**

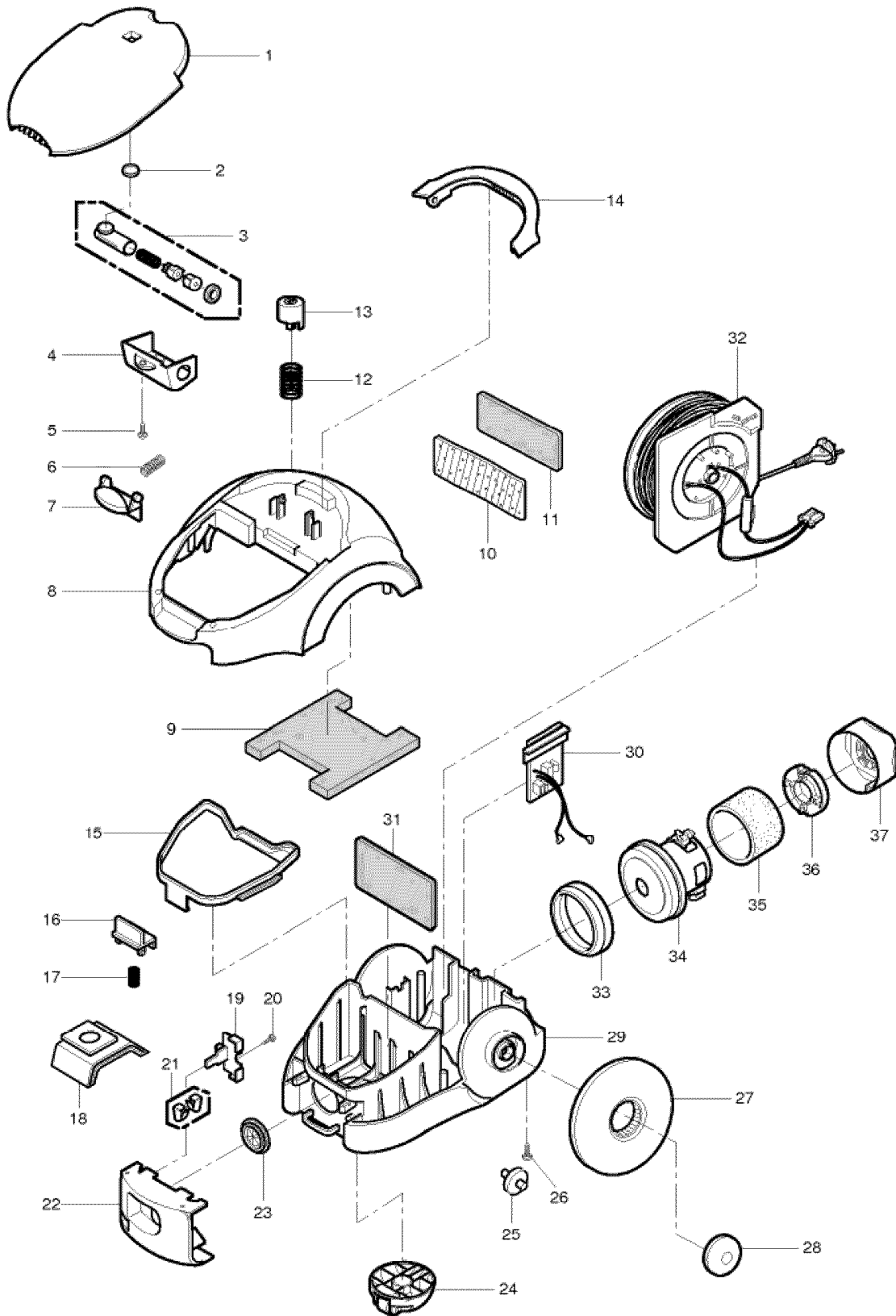
PROBLEM	POSSIBLE CAUSE	POSSIBLE SOLUTION
<b>Cleaner won't start.</b>	<ol style="list-style-type: none"> <li>1. Unplugged at wall outlet.</li> <li>2. Tripped circuit breaker/blown fuse at household service panel.</li> <li>3. Loose hose electrical connections.</li> </ol>	<ol style="list-style-type: none"> <li>1. Plug in firmly, push the handle slide switch.</li> <li>2. Reset circuit breaker or replace fuse.</li> <li>3. Reconnect hose ends (p. 5).</li> </ol>
<b>Poor job of dirt pick-up.</b>	<ol style="list-style-type: none"> <li>1. Full or clogged dust bag.</li> <li>2. Clogged airflow passages.</li> <li>3. Dirty filter.</li> <li>4. Slide switch is on MIN.</li> <li>5. Hole in hose.</li> <li>6. Canister hood open.</li> </ol>	<ol style="list-style-type: none"> <li>1. Change bag (p. 9).</li> <li>2. Clear airflow passages (p. 6).</li> <li>3. Change filter (p. 9).</li> <li>4. Adjust control (p. 8).</li> <li>5. Replace hose.</li> <li>6. Close and latch hood.</li> </ol>
<b>Cleaner starts but cuts off.</b>	<ol style="list-style-type: none"> <li>1. Hose or hood electrical connections.</li> <li>2. Tripped overload protector in canister</li> </ol>	<ol style="list-style-type: none"> <li>1. Check connections, reconnect hose ends (p. 5).</li> <li>2. Change dust bag, clear airflow blockage (p. 6, 9). Unplug cord from wall outlet and wait 20~25 minutes for motor to cool and automatically reset.</li> </ol>
<b>Air-Turbine Brush Nozzle will not run when attached</b>	<ol style="list-style-type: none"> <li>1. Worn or broken belt</li> <li>2. Dirty brush or brush supports.</li> </ol>	<ol style="list-style-type: none"> <li>1. Check brush area for excessive lint build-up or jamming.</li> <li>2. Clean brush and brush supports (p 11, 12)</li> </ol>
<b>Performance indicator, some models, is red.</b>	<ol style="list-style-type: none"> <li>1. Full or clogged dust bag.</li> <li>2. Dirty filter.</li> <li>3. Clogged airflow passage.</li> </ol>	<ol style="list-style-type: none"> <li>1. Change bag (p. 9).</li> <li>2. Change filter (p. 9).</li> <li>3. Clear blockage from airflow passage (p. 6).</li> </ol>
<b>Cleaner picks up movable rugs, or nozzle pushes too hard.</b>	<ol style="list-style-type: none"> <li>1. Suction too strong.</li> </ol>	<ol style="list-style-type: none"> <li>1. Adjust control (p. 8).</li> </ol>
<b>Power cord won't rewind.</b>	<ol style="list-style-type: none"> <li>1. Dirty power cord.</li> <li>2. Power cord jammed.</li> </ol>	<ol style="list-style-type: none"> <li>1. Clean the power cord.</li> <li>2. Pull out power cord and rewind.</li> </ol>

ENGLISH

# PARTS LIST

## VACUUM CLEANER PARTS

For Model : 721.23195200



# PARTS LIST

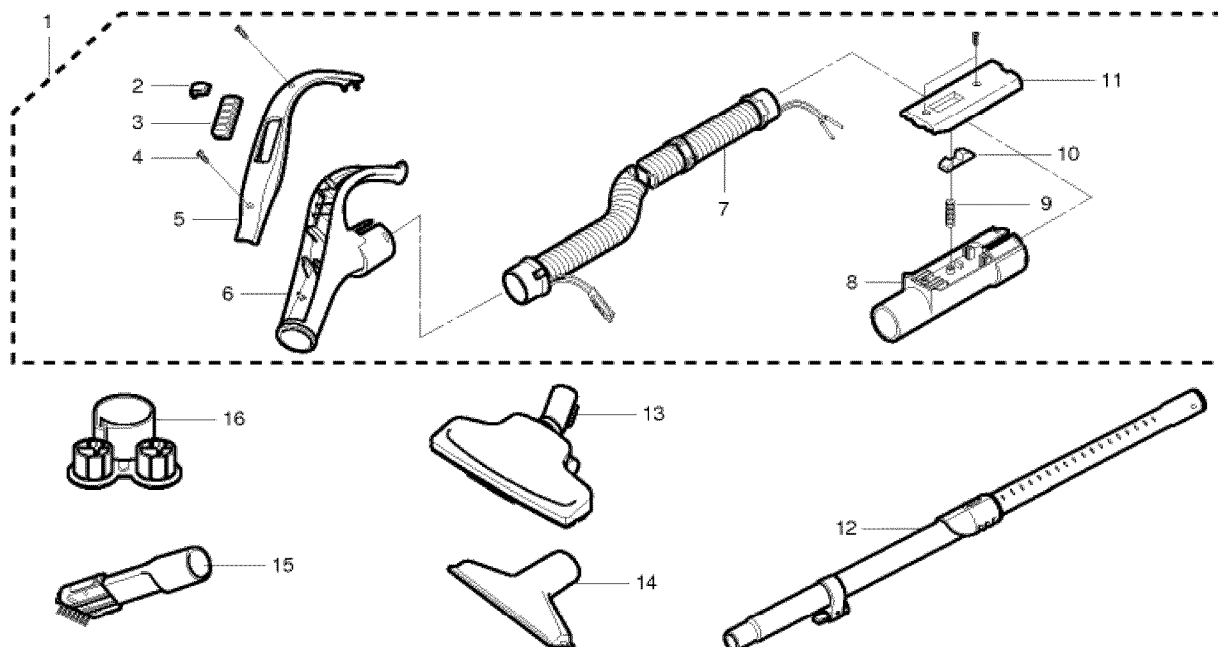
## VACUUM CLEANER PARTS

For Model : 721.23195200

Illus. No.	Part No.	DESCRIPTION	Illus. No.	Part No.	DESCRIPTION	Illus. No.	Part No.	DESCRIPTION
1	3550FI1551K	Filter Cover	17	4I23017A	Filter Setting hook spring	33	3920FI3600B	Motor Mount Packing
2	4036FI4074A	Indicator Seal	18	20-51195	Dust Bag	34	4687FI2373G	Motor
3	3I23019L	Indicator	19	3I23009L	Terminal Supporter	35	3940FI3646A	Absorbing Sponge
4	3550FI3307G	Indicator Cover	20	1TPL0402818	Screw 4*12	36	4980FI3702A	Motor Supporter
5	1TPL0302818	Screw 3*12	21	3I23038G	Terminal Plate	37	5040FI2449A	Sound Rubber
6	4970FI4260A	Latch Spring	22	3550FI1113D	Front Cover	<b>Following Parts Not Illustrated</b>		
7	4026FI3234A	Latch	23	4036FI3036A	Terminal Packing			
8	3070FI1110N	Body Cover	24	4441FI3605J	Caster Ass y	3828FI3763V		Manual, Owner s
9	4766FI3251A	Felt	25	4I22017F	Roller	*20-51195		Dust Bag
10	3940FI3252A	Exhaust Sponge	26	1TPL0403318	Screw 4*20	*Available At Any Sears Retail or Catalog Store.		
11	5230FI3558A	Exhaust Filter	27	4660FI1114D	Wheel Body			
12	4I70024A	Button Spring	28	4660FI3238N	Wheel Cover			
13	5020FI3233N	Cord Reel Button	29	3040FI1111D	Body Base			
14	3650FI2132N	Handle	30	6871FX2130C	PWB Ass y			
15	3920FI1115A	Dust Seal Packing	31	5230FI3248A	Motor Safety Filter			
16	3I23004B	Filter Setting Hook	32	6411FI1071W	Cord Reel			

ENGLISH

## HOSE AND ATTACHMENTS PARTS

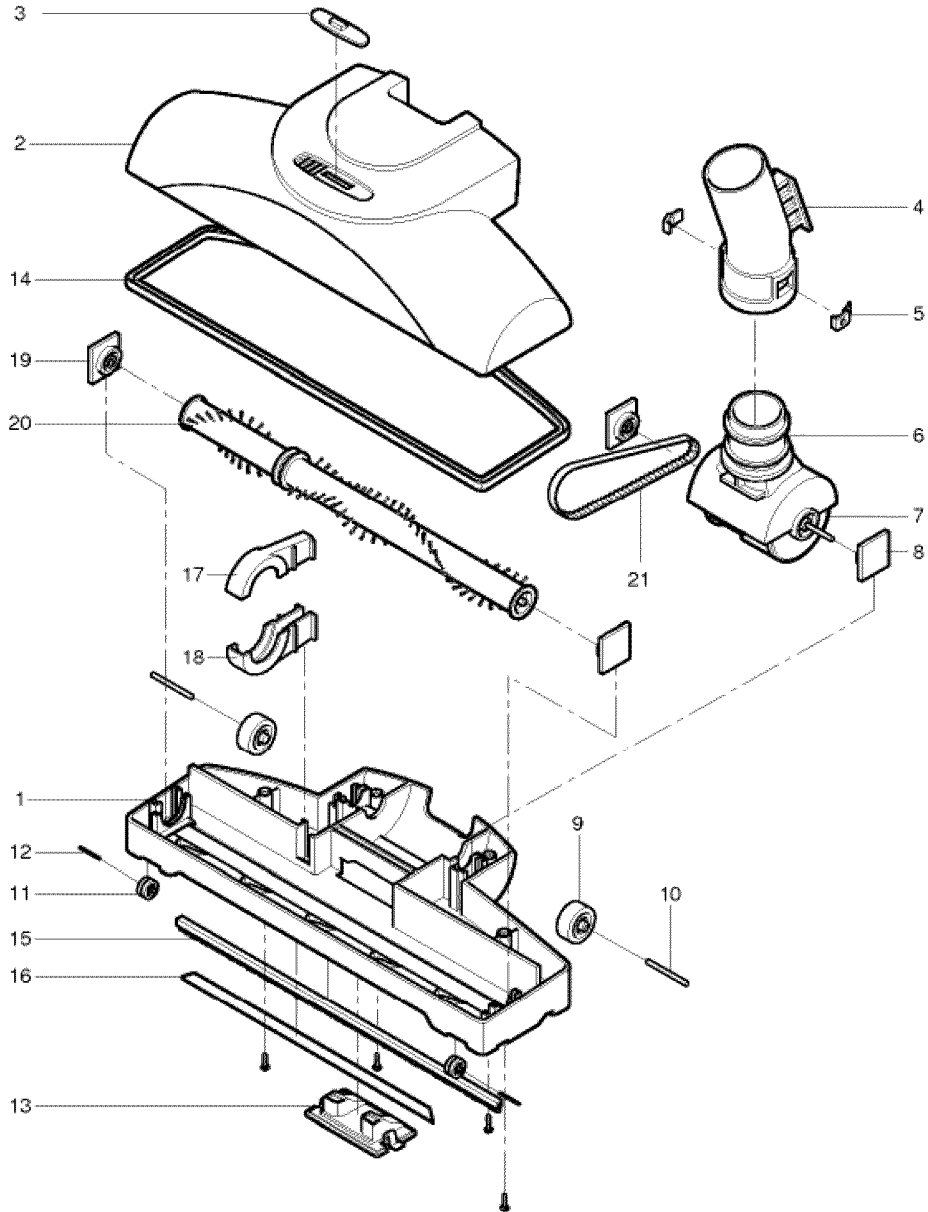


Illus. No.	Part No.	DESCRIPTION	Illus. No.	Part No.	DESCRIPTION	Illus. No.	Part No.	DESCRIPTION
1	5214FI1453R	Hose Ass y	7	4932FI2360C	Hose	13	5249FI1260C	Floor Nozzle
2	4940FI3431A	Slide Knob	8	5200FI2357G	Fitting Pipe	14	5248FI2259C	Upholstery Nozzle
3	3500FI3616X	Switch Board	9	4I23028A	Hook Spring	15	3I22005N	Dusting Brush
4	1TPL0302416	Screw 3*8	10	3I23013P	Fitting Hook	16	4930FI2378B	Accessory Holder
5	3550FI1377X	Handle Cover	11	3550FI2358F	F/Pipe Cover			
6	3650FI1430C	Grip Handle	12	5201FI2475A	Telescopic Wand			

# PARTS LIST

## AIR-TURBINE BRUSH NOZZLE PARTS

For Model : 721.23195200



Illus. No.	Part No.	DESCRIPTION	Illus. No.	Part No.	DESCRIPTION	Illus. No.	Part No.	DESCRIPTION
1	3040FI1502A	Nozzle Base	8	4280FI3003A	Bearing Ball	15	5882FI2001A	Sweeper
2	3550FI1637A	Nozzle Cover	9	4581FI3001A	Roller assy	16	4766FI3709A	Felt
3	4940FI3736A	Pile Adjustment	10	4370FI3669A	Shaft	17	3740FI3712A	Protector(Mech)Belt
4	5200FI2492A	Suction Pipe	11	4581FI3002A	Roller assy	18	3740FI3711A	Protector(Mech)Belt
5	1KZZFI3001A	Key	12	4370FI3670A	Shaft	19	4280FI3004A	Bearing Ball
6	4930FI2452A	Suction Pipe Holder	13	3550FI2540A	Cover Flow	20	5973FI2001A	Brush
7	5901FI2001A	Fan Assembly	14	4820FI2399A	Nozzle Bumper	21	4400FI3349A	Belt



# Get it fixed, at your home or ours!

## Your Home

For repair – in your home – of all major brand appliances, lawn and garden equipment, or heating and cooling systems, **no matter who made it, no matter who sold it!**

For the replacement parts, accessories and owner's manuals that you need to do-it-yourself.

For Sears professional installation of home appliances and items like garage door openers and water heaters.

**1-800-4-MY-HOME®** Anytime, day or night  
(1-800-469-4663) (U.S.A. and Canada)  
[www.sears.com](http://www.sears.com) [www.sears.ca](http://www.sears.ca)

## Our Home

For repair of carry-in products like vacuums, lawn equipment, and electronics, call or go on-line for the nearest **Sears Parts and Repair Center.**

**1-800-488-1222** Anytime, day or night (U.S.A. only)  
[www.sears.com](http://www.sears.com)

To purchase a protection agreement on a product serviced by Sears:

**1-800-827-6655** (U.S.A.) **1-800-361-6665** (Canada)

Para pedir servicio de reparación a domicilio, y para ordenar piezas:

**1-888-SU-HOGAR<sup>SM</sup>**  
(1-888-794-6427)

Au Canada pour service en français:

**1-800-LE-FOYER<sup>MC</sup>**  
(1-800-533-6937)  
[www.sears.ca](http://www.sears.ca)

# SEARS

© Sears, Roebuck and Co.

® Registered Trademark / <sup>TM</sup> Trademark / <sup>SM</sup> Service Mark of Sears, Roebuck and Co.

© Marca Registrada / <sup>TM</sup> Marca de Fábrica / <sup>SM</sup> Marca de Servicio de Sears, Roebuck and Co.

<sup>MC</sup> Marque de commerce / <sup>SM</sup> Marque déposée de Sears, Roebuck and Co.