



# slide-in cooktop

22-30503

page 1 of 1



Kenmore PRO™ 36-Inch Sealed Gas Slide-In Cooktop

### 22-30503 – Stainless

- Ceramic glass surface with stainless steel frame
- One 16,000 BTU triple ring burner
- One 17,200 and one 12,200 BTU power burner
- Two 9,500 BTU all-purpose burners
- One 675 to 5,000 BTU simmer burner
- Porcelain-coated cast-iron, continuous grates with matte finish
- Gourmet Accessory Package with cast-iron griddle
- Dishwasher-safe grates
- Electronic ignition
- Convertible to LP (kit included)
- Optional 9" Pro-style backguard available through Sears Parts (903048-9010)

Selection	
<b>Stainless</b>	<b>22-30503</b>
Cooktop Features	
Burner Type	Sealed
Triple Ring Burner BTU (Nat./LP)	16,000/10,000
Power Burner BTU (Nat./LP)	1@17,200/14,000 1@12,200/11,000
All-Purpose Burner BTU (Nat./LP)	2@9,500/8,000
Simmer Burner BTU (Nat./LP)	1@5,000/4,000
Simmer Burner Location	RR
Grate Styling	Continuous Matte Finish
Grate Material	Porcelain-Coated Cast-Iron
Dishwasher Safe Grates	•
Cast-Iron Griddle	Included
Cooktop Surface	Ceramic Glass w/Stainless Trim
Valves (Degrees of Turn)	270
General Features	
Optional 9-in. PRO-Style Backguard†	903048-9010
Electronic Ignition	•
Convertible to LP*	•
Shipping Weight (Approx. Lbs.)	93
Warranty	
1-Year Limited Warranty – Entire Appliance	Parts & Labor
2-5 Year Limited Warranty – Cooktop Elements	Parts

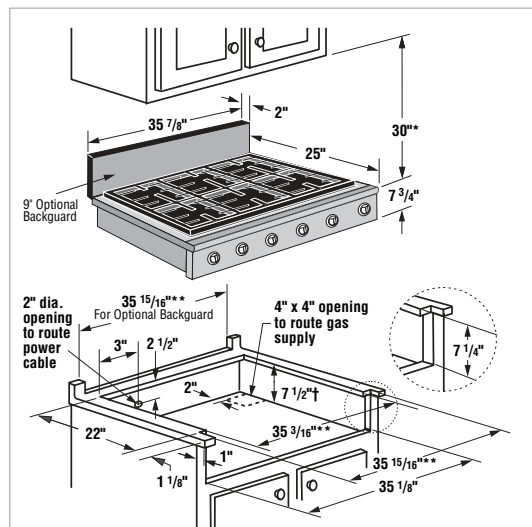
If used for other than private family purposes, warranty applies for only 90 days.

RR = Right Rear

\*LP orifices included; conversion must be done by qualified LP installer

†Call Sears parts at 1-866-732-7728

Model	22-30503
Overall	Stainless
Controls	Stainless Look
Surface	Stainless/ Black
Matte Grates	Black



**IMPORTANT:** Do not slide unit into cabinet cutout. Protruding screws on the bottom of unit may damage the bottom front finish.

\*30" min. for unprotected cabinet, 24" min. for protected surface.

\*\*Critical to the proper installation of the cooktop. Be sure to respect these dimensions. The 35 15/16" dimension reflects the finished size. It is recommended to undercut this dimension and adjust upon installation of the appliance due to the variation in countertop materials.

†Depth below cooktop.