

OWNER'S MANUAL



Undersink Water Filter Housing System

MODEL NO. 625.384540



Caution:

Read and follow all safety rules and operating instructions before first use of this product.

Questions ?

Visit www.KenmoreWater.com

or call toll free 1-800-426-9345 (M - F, 7 AM - 8 PM CST)

Repair or Parts ? Call toll free 1-800-469-4663

See back cover for other Sears service numbers.

SAVE THIS MANUAL

- Warranty
- Installation
- How It Works
- Care Of
- Specifications
- Repair Parts



System Tested and Certified by NSF International against NSF/ANSI Standard 42. See performance data sheet for details.

Sears, Roebuck and Co., 3333 Beverly Road, Hoffman Estates, IL 60179 U.S.A.

Safety Guides

- ▼ Read all steps and guides carefully before installing and using your Undersink Water Filter Housing System. Follow all steps exactly to correctly install. Reading this manual will also help you to get all the benefits from the Undersink Water Filter Housing System.
- ▼ Do not attempt to use this product to make safe drinking water from non-potable water sources. Do not use the system on microbiologically unsafe water, or water of unknown quality without adequate disinfection before or after the system.
- ▼ Check with your local public works department for plumbing and sanitation codes. You must follow their guides as you install the system. Follow your local codes if they differ with guides in this manual. In Massachusetts, plumbing codes of Massachusetts shall be adhered to. Consult with a licensed plumber.
- ▼ The Undersink Water Filter Housing System works on water pressures of 30 psi (minimum) to 100 psi (maximum). If your house water pressure is over the maximum, install a pressure reducing valve in the water supply pipe to the Undersink Water Filter Housing System.
- ▼ Do not install the Undersink Water Filter Housing System outside, or in extreme hot or cold temperatures. Temperature of the water supply to the Undersink Water Filter Housing System must be between 40°F and 100°F. Do not install on hot water.

Specifications

Supply water pressure limits	30-100 psi (207-689 kPa)
Supply water temperature limits	40-100 °F (5-40 °C)
Inlet - Outlet	1/4" Quick Connect fittings & tubing, included
Rated Service Flow	0.6 gpm @ 60 psi

This system conforms to NSF/ANSI 42 for the specific performance claims as verified and substantiated by test data.

Warranty

ONE YEAR FULL WARRANTY ON THE UNDERSINK WATER FILTER HOUSING SYSTEM

When installed, operated and maintained according to all instructions supplied with the product, if this Undersink Water Filter Housing fails due to a defect in material or workmanship within one year from the date of purchase, call 1-800-4-MY-HOME to arrange for free repair (or replacement if repair proves impossible). This warranty does not include filter cartridges, which are expendable items.

This warranty applies only while this product is in use in the United States or Canada.

This warranty gives you specific legal rights, and you may have other rights which vary from state to state.

Sears, Roebuck and Co., Hoffman Estates, IL 60179

Questions? Call The Kenmore Water Line 1-800-426-9345 or visit KenmoreWater.com

Table of Contents

Planning Your Installation	3
Tools and Materials Needed	3
Typical Undersink Installation	4
Installation Steps	5-7
Step 1 - Install Cold Water Supply Fitting	5
Step 2 - Make Hole for Filtered Water Faucet	6
Step 3 - Assemble and Install Filtered Water Faucet	6
Step 4 - Make Tubing Connections	7
Filter Cartridge Installation / Replacement	8
Using the System	9
Filter Cartridge Life	9
Exploded View & Parts List	10-11

Planning Your Installation

When planning your installation, use the drawings on pages 4 & 5 to guide you. There are many things to consider as you plan:

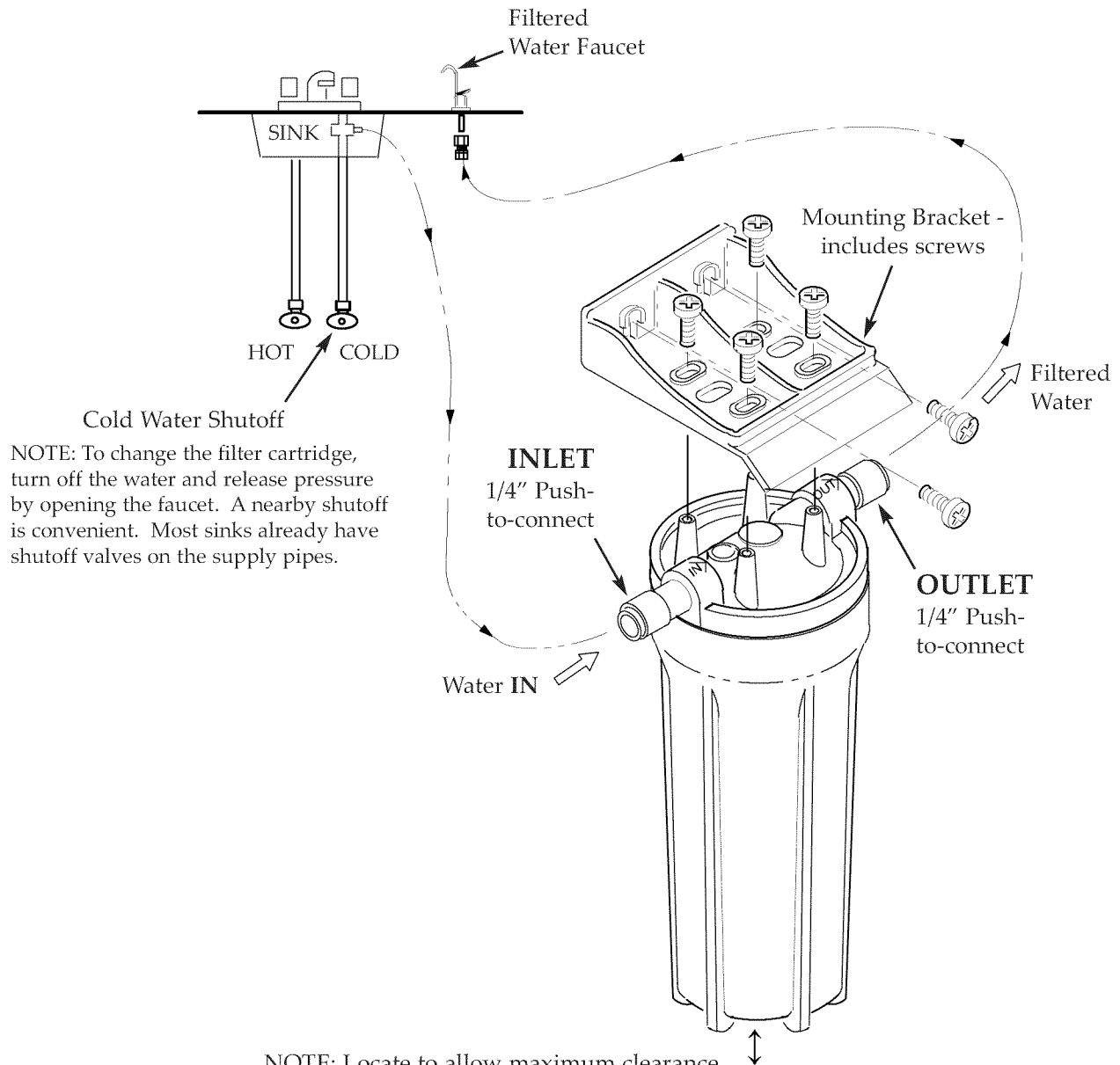
- ▼ The water filter housing inlet and outlet connections are 1/4" Quick Connect (push-to-connect)
- ▼ Existing plumbing type (copper, threaded, etc.) and nominal size (1/4", 3/8", etc.)
- ▼ Tools required (see below)
- ▼ Your plumbing skills
- ▼ Cost of materials needed
- ▼ Space available for installing the filter housing
- ▼ The possibility of water spilling from sump when replacing filter cartridges

Make a simple sketch of your proposed installation, and a list of plumbing materials you will need. Obtain everything you need before starting the installation. Be sure you have the tools required.

Tools and Materials Needed

- ▼ Plumbers' Putty
- ▼ Slotted and Phillips Screwdrivers
- ▼ Pliers and Adjustable Jaw Wrench
- ▼ Tubing Cutter
- ▼ Sandpaper or Emery Cloth
- ▼ Electric Drill & 3/4" Drill Bit, if mounting hole is needed for the faucet

Typical Undersink Installation



NOTE: To change the filter cartridge, turn off the water and release pressure by opening the faucet. A nearby shutoff is convenient. Most sinks already have shutoff valves on the supply pipes.

NOTE: Locate to allow maximum clearance under filter housing for ease of filter change. A minimum of 1-1/2" is required.

Figure 1

NOTE: Codes in the state of Massachusetts require installation by a licensed plumber. If you live in the state of Massachusetts, review plumbing code 248-CMR of the Commonwealth of Massachusetts before proceeding with the installation.

Step 1 - Install Cold Water Supply Fitting

Check and comply with local plumbing codes.

Install a cold water supply fitting. The fitting must provide a leak-tight connection to the water filter 1/4" tubing. If additional tubing is required, see parts list at the end of this manual. A typical connection using the included water supply fitting is shown in Figure 2-A. An optional connection using standard plumbing fittings (not included) is shown in Figure 2-B. In Massachusetts, plumbing codes of Massachusetts shall be adhered to. Consult with a licensed plumber

A. WATER SUPPLY FITTING (included)

1. Shut off the water supply and open faucets to drain water from the sink cold water pipe.
2. Loosen nut that connects the cold water faucet to cold water plumbing.
3. Thread water supply fitting onto pipe and reconnect nut to bottom of fitting. Be sure to use a light coating of pipe joint compound or Teflon tape (included) on outside threads. Care should be taken to prevent cross-threading the plastic fitting.

B. OPTIONAL PIPE FITTINGS (compression type shown)

1. Shut off the water supply and open faucets to drain water from the sink cold water pipe.
2. Complying with plumbing codes, install a fitting on the cold water pipe to adapt 1/4" OD tubing. A typical connection is shown in Figure 2-B. If threaded fittings are used, be sure to use pipe joint compound or Teflon tape on outside threads.

WATER SUPPLY CONNECTION USING INCLUDED WATER SUPPLY FITTING

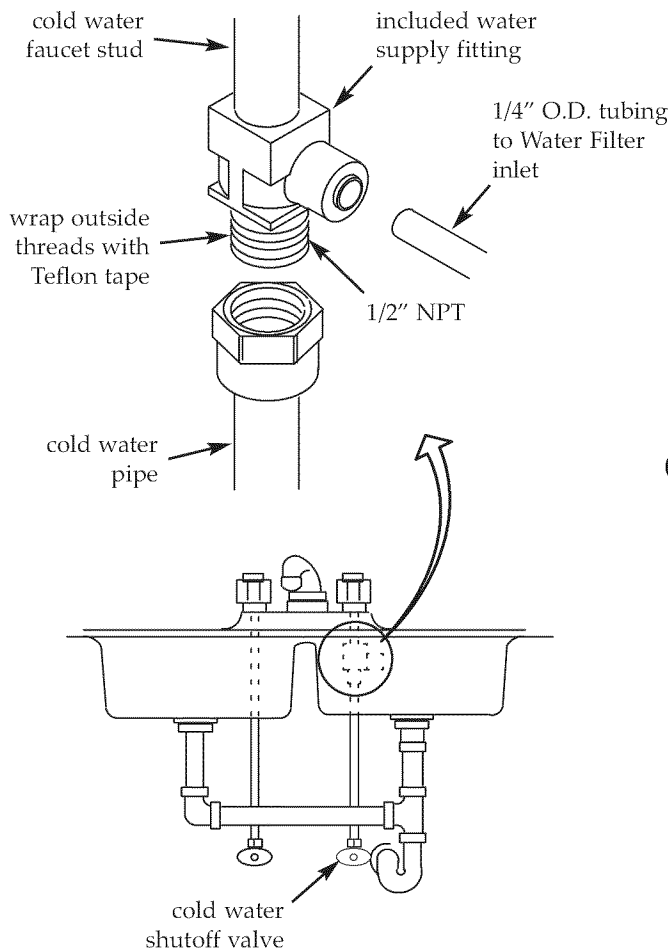


Figure 2-A

WATER SUPPLY TYPICAL CONNECTION USING COMPRESSION TYPE FITTING (PARTS NOT INCLUDED)

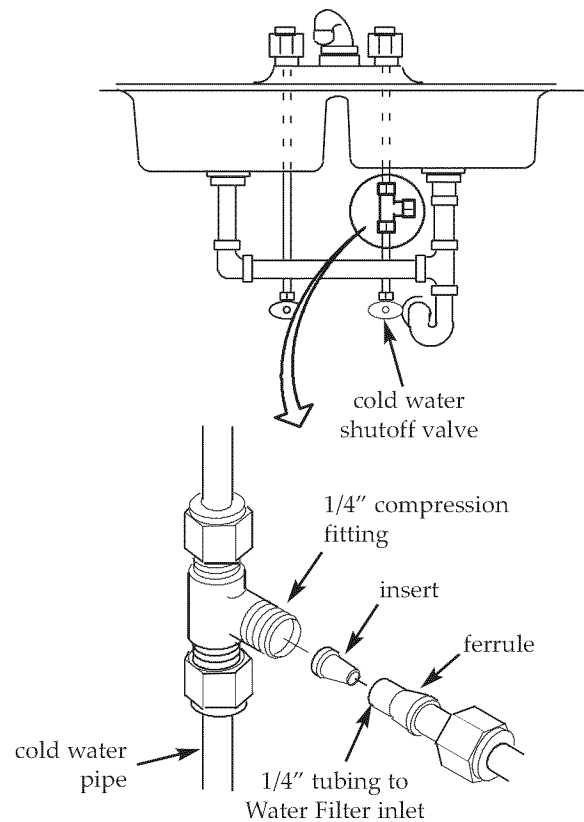


Figure 2-B

Questions? Call The Kenmore Water Line 1-800-426-9345 or visit KenmoreWater.com

Step 2 - Make Hole for Filtered Water Faucet

Select one of the following options to install the faucet. Be sure there is room underneath to make the needed connections.

- Use an existing sink top hole for spray hose or soap dispenser.
- Drill a new hole in the sink top.
- Drill a hole in the countertop next to the sink.

CAUTION: Drilling holes into countertops made of stone or solid surface materials such as granite, marble, Corian™ or other plastic resin products should only be performed by a qualified installer. Drilling these types of surfaces by any other means may cause permanent, irreparable damage to the countertop surface.

1. If drilling is needed, make a 3/4" dia. (minimum) hole for the faucet.
2. Place plumbers' putty around the drilled hole to prevent water leaks around the faucet.

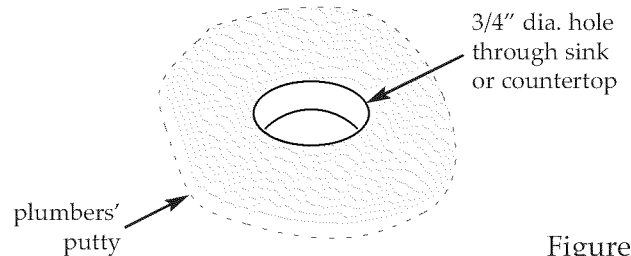


Figure 3

Step 3 - Assemble and Install Faucet

FAUCET (Refer to Figure 4)

1. If not already assembled, install the rubber gasket, spacer, flat (or lock) washer and hex nut onto the threaded faucet stud.
2. Turn the tubing adapter onto the stud and hand tighten, then wrench tighten **1/4 turn only**. **BE CAREFUL NOT TO CROSS-THREAD OR OVERTIGHTEN.**
3. If the faucet is not assembled, slide the lever over the cylindrical nut. Wet the o-ring seals on the faucet spout. Remove and discard the short piece of tubing from the faucet body and insert the spout in its place.
4. Connect tubing to faucet as described on page 7.
5. Lower the faucet into the sink or countertop hole.
6. On the underside of the sink or countertop, insert the large steel washer between the mounting hole and the spacer on the faucet stud (see assembled view). Then turn the hex nut up to the spacer and tighten. Tighten the hex nut so the faucet cannot move, **but do not overtighten.**

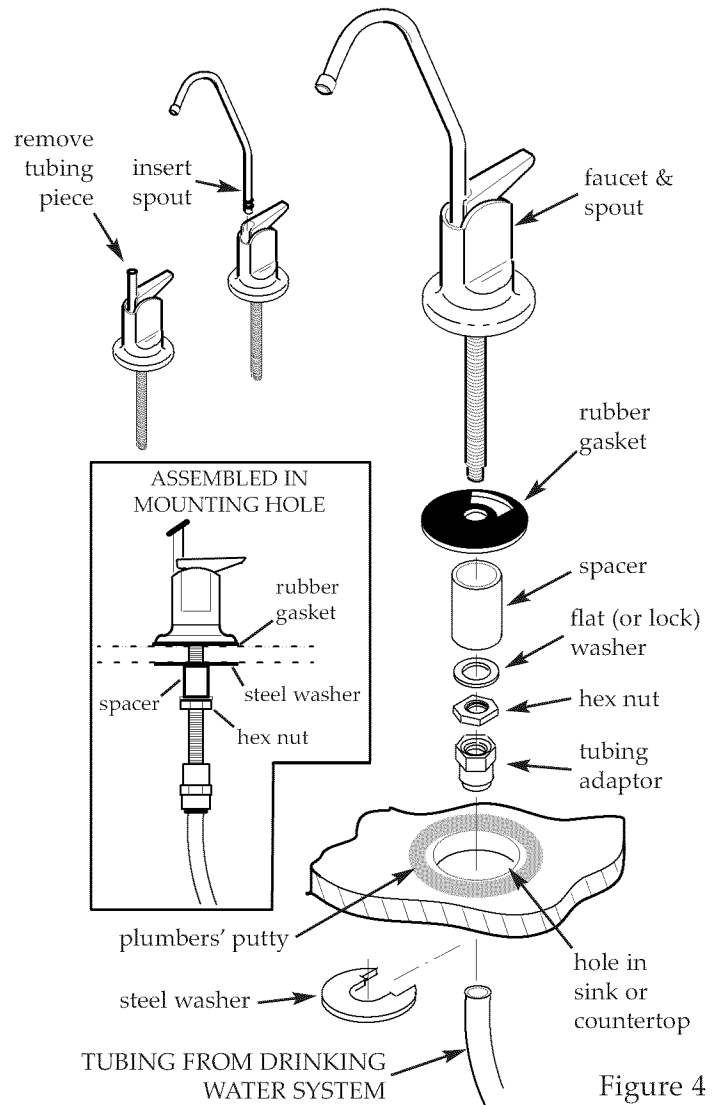


Figure 4

Questions? Call The Kenmore Water Line 1-800-426-9345 or visit KenmoreWater.com

Step 4 - Make Tubing Connections

This system includes push-to-connect fittings for quick tubing connections at most locations. To make tubing connections with the fittings, do the following:

1. Allowing some slack, measure and cut a length of 1/4" tubing to connect between the supply fitting and the filter system inlet (See Figure 1). Use a sharp cutter or knife to cut the end of tubing square.
2. Inspect the tubing, about 1" from end, to be sure there are no nicks, scratches or other rough spots. If needed cut the tubing again.
3. Push tubing through the collet and all the way into fitting. Full engagement is 11/16" for 1/4" tubing. Pull on the tubing to be sure that it is held firmly in the fitting.

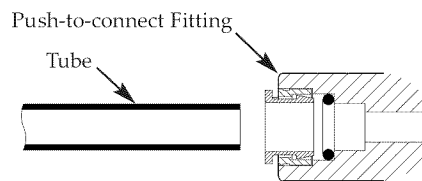
If more tubing is required, see parts list at the end of this manual.

TO DISCONNECT TUBING:

Push the collet and hold, then pull the tubing out (See Figure 8).

NOTE:

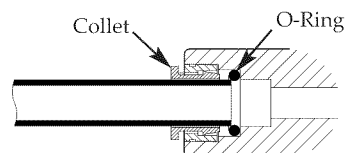
DO NOT USE VINEGAR, OR OTHER ACID BASED CLEANERS ON THIS SYSTEM. THEY WILL DEGRADE SOME SYSTEM PARTS. ALWAYS USE SOAP AND WATER.



Cut tubing square with end of tubing round, smooth, with no cuts, nicks or flat spots.

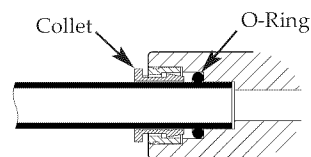
Tube Correctly Cut

Figure 5



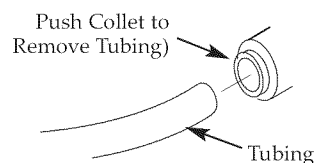
Tube Partially Engaged With Fitting

Figure 6



Tube Fully Engaged With Fitting

Figure 7



Disconnect Tubing

Figure 8

To complete the installation, turn to page 8 and follow the filter cartridge installation steps.

Filter Cartridge Installation / Replacement

CAUTION: Never remove the sump with water pressure in the filter.

1. Close the nearest shutoff valve on the water supply to the filter. To relieve pressure in the filter, open the filtered water faucet.

2. Turn the sump off of the filter head, to the left. Be careful, as the sump is full of water. Do not lose the large o-ring seal.

NOTE: A special wrench is included for removing the sump. See the parts list on page 10. Use only the included wrench on the sump (or loosen and tighten the sump by hand).

3. If replacing the filter cartridge, remove used cartridge from sump and use warm, soapy water to clean sump.

4. Remove the wrapper from the new filter cartridge and, with clean or gloved hands, insert the filter cartridge into the sump. Some cartridges fit turned either way, while others fit only one way. Check the cartridge to see if orientation is indicated.

5. When changing filter, lightly lubricate the o-ring seal in the sump with silicone grease. Be sure the o-ring is fully seated in the groove.

6. Hold the sump up to the filter head, and align the center hole in the cartridge with the protrusion on the bottom of the head.

NOTE: If the sump will not tighten up to the head by hand, you may have the cartridge in upside down or misaligned. Take the cartridge out and check for correct orientation.

7. Being careful not to overtighten or cross-thread, turn the sump to the right onto the filter head and tighten securely by hand. Make sure to check for leaks, as described below.

8. Open the filtered water faucet. Slowly open the water supply shutoff valve and allow the filter housing to fill. Close the filtered water faucet.

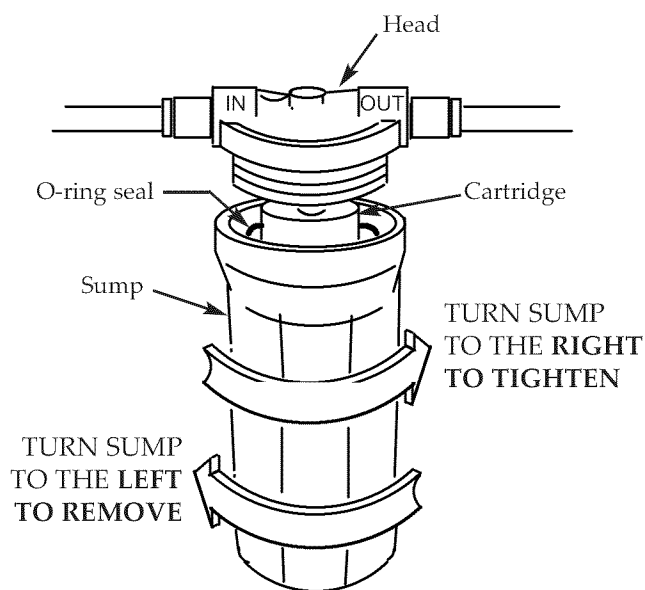


Figure 9

9. Check for leaks between the sump and the head.

Leaks may not be immediately visible. Check periodically for the next 24 hours.

NOTE: If a leak occurs, turn off the water supply and open the filtered water faucet to depressurize the filter. Disassemble the filter and check the o-ring and sealing surface for cuts, flat spots, or foreign material. Clean the o-ring and lubricate with silicone grease. Carefully press o-ring into the groove in the sump.

10. If using a **Taste and Odor Cartridge:** A taste and odor cartridge contains activated carbon, a black powder. After the new cartridge is installed, open the filtered water faucet and allow carbon particles to purge from the cartridge. Close the faucet when you no longer see "fines" (discoloration) in the filtered water, or after approximately 2 - 3 minutes.

Using the System

The filtered water faucet dispenses the filtered water when opened. It has a hand operated lever, which is spring loaded. You can lock the faucet open by pushing the lever all the way upward.

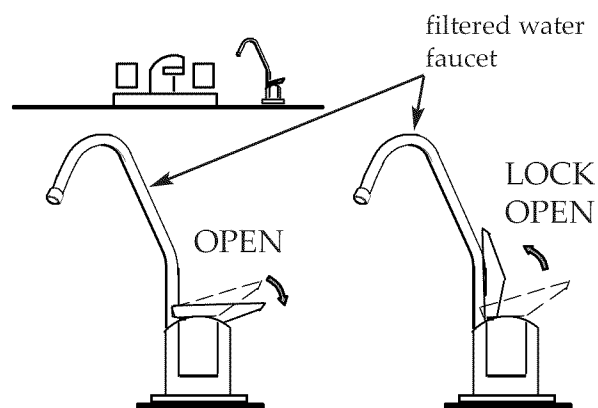


Figure 10

Filter Cartridge Life

Several variables determine how long a cartridge will last. These include:

1. How much water you use.
2. How much sediment, taste and/or odor, or other unwanted substance, is in the water.

Use the following information as a guide. No matter which type of filter cartridge you are using, it may be time to change the cartridge:

- ▼ When you first notice the return of the unwanted substance (sediment, taste and odor) in your water.
- ▼ When you notice a decrease in water flow from the filtered water faucet.
- ▼ When six months have elapsed.

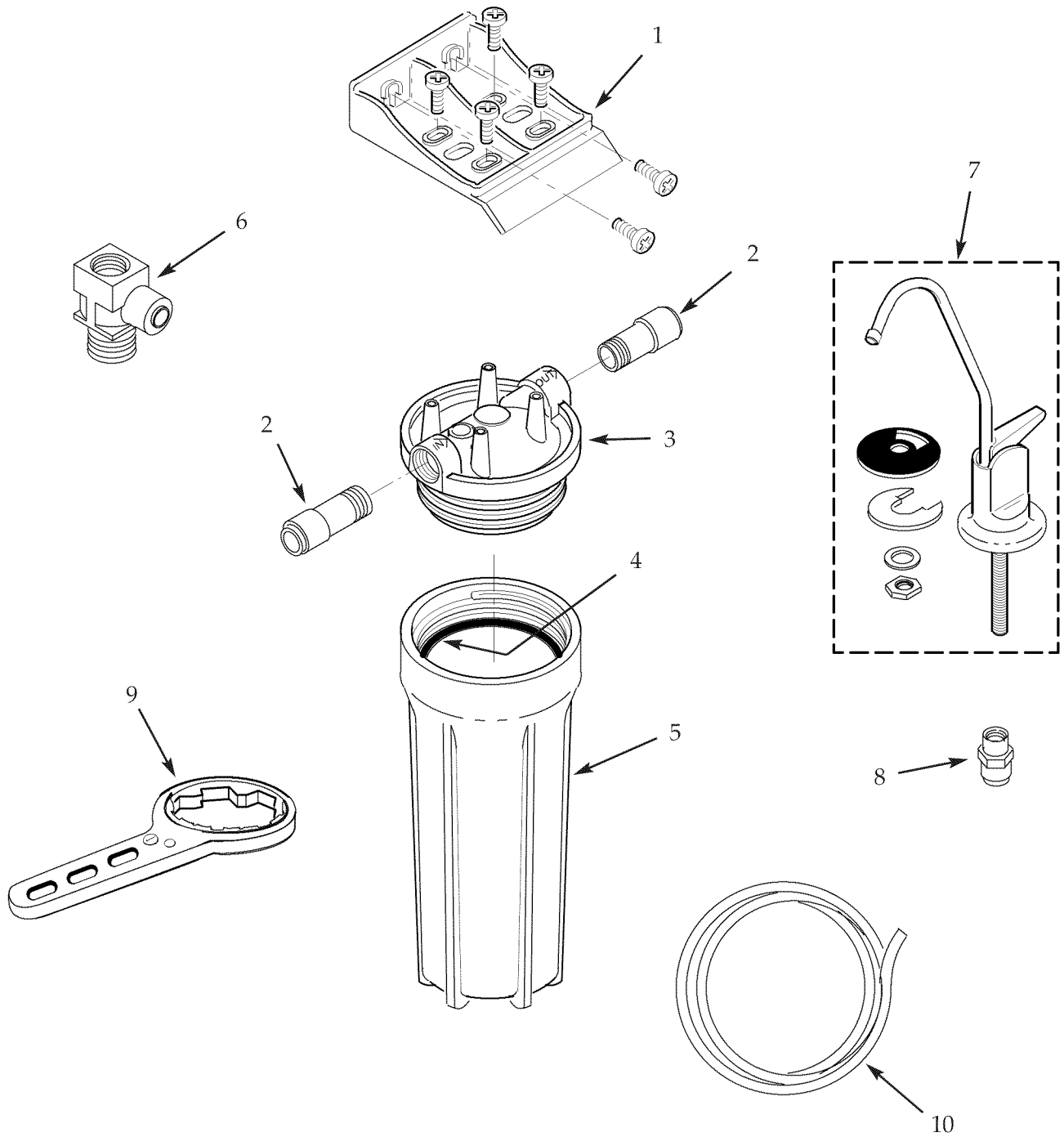
Kenmore Undersink Water Filter Housing System model 625.384540 with replacement filter 42-34373 has been tested and certified by NSF International for the reduction of chlorine, taste and odors. The rated capacity for this system is 4500 gallons.

Other filter cartridges are available from Sears to remove sediments, tastes and odors. Consult your Sears store.

Taste and Odor Cartridges: Many bad tastes and/or odors are removed from water by an activated carbon cartridge. It is most often used to remove chlorine taste and smell.

NOTE: Small amounts of hydrogen sulfide (noticeable as "rotten egg" odor) may be reduced by taste and odor filters for a short time, quickly exhausting the carbon media. Consult your Sears store for proper continuous treatment.

Exploded View



Questions? Call The Kenmore Water Line 1-800-426-9345 or visit KenmoreWater.com

Repair Parts List

Key No.	Part No.	Description
1	7231296	Mounting Bracket (includes screws)
2	7266699	Connector, 3/8" NPT x 1/4" Quick Connect (2 req.)
3	7156535	Head
4	7170246	O-ring, 3-3/8" I.D. x 3-5/8" O.D.
5	7156577	Sump
6	7227310	Tee Feed Adaptor
7	7228510	Faucet
8	7267174	Faucet Adaptor
9	7193066	Sump Removal Wrench
10	7253866	Tubing, 1/4" O.D. x 72" long
■	7161823	Tubing, 1/4" O.D. x 20' long *
■	7161784	Tubing, 1/4" O.D. x 100' long *
■	42-34373	Premium Taste & Odor Cartridge, 98% Chlorine Reduction *
■	7266657	Owner's Manual

* Not included with the Undersink Water Filter Housing System.

■ Not illustrated.

Get it fixed, at your home or ours!

Your Home

For expert troubleshooting and home solutions advice:

manage my home

www.managemyhome.com

For repair – **in your home** – of **all** major brand appliances, lawn and garden equipment, or heating and cooling systems, **no matter who made it, no matter who sold it!**

For the replacement parts, accessories and owner's manuals that you need to do-it-yourself.

For Sears professional installation of home appliances and items like garage door openers and water heaters.

1-800-4-MY-HOME[®] (1-800-469-4663)

Call anytime, day or night (U.S.A. and Canada)

www.sears.com www.sears.ca

Our Home

For repair of carry-in items like vacuums, lawn equipment, and electronics, call anytime for the location of your nearest

Sears Parts & Repair Service Center

1-800-488-1222 (U.S.A.)

www.sears.com

1-800-469-4663 (Canada)

www.sears.ca

To purchase a protection agreement on a product serviced by Sears:

1-800-827-6655 (U.S.A.)

1-800-361-6665 (Canada)

Para pedir servicio de reparación a domicilio, y para ordenar piezas:

1-888-SU-HOGAR[®]

(1-888-784-6427)

Au Canada pour service en français:

1-800-LE-FOYER^{MC}

(1-800-533-6937)

www.sears.ca

