



Kenmore 30-Inch Self-Clean Sealed Double Oven Gas Range

- White 22-78012
- Stainless 22-78013
- Black 22-78019

- 2.3 cu. ft. upper and 3.5 cu. ft. lower, self-clean ovens
- Four sealed burners on a recessed porcelain cooktop
- One 17,200 BTU and one 12,000 BTU power burners
- One 9,500 BTU all-purpose burner
- One 5,000 BTU simmer burner
- Porcelain-coated, cast-iron, dishwasher-safe, continuous grates
- Oven control lockout
- Easy Set™ 615 electronic oven controls
- Sabbath mode (certified)
- 3 integrated handle racks (1 upper, 2 lower)
- Glass door with large window (upper & lower) (78013: stainless door)

Model	22-78012	22-78013	22-78019
Overall	White	Stainless	Black
Console	White	Stainless	Black
Knobs	White	Stainless	Black
Door	White	Stainless	Black
Drawer	White	Stainless	Black
Handle	White	Stainless	Black
Sides	White	Black	Black
Surface	White	Black	Black
Matte Grates	Black	Black	Black

SELECTION	KENMORE
White	22-78012
Stainless	22-78013
Black	22-78019

OVEN FEATURES	SELF-CLEAN
Oven Capacity (cu. ft.)	3.5 (Aux: 2.3)
Variable Time Self-Cleaning	Select Clean®, 2-4 Hours
Electronic Oven Controls with Lockout	Easy Set™ 615
Electronic Clock & Timer	•
Add-1-Minute Timer	•
Cook & Hold Warm Oven	Both Ovens
Keep Warm	Both Ovens
Automatic Oven Shutoff	•
Delay Start	Cook & Clean
Sabbath Mode†	Certified
Variable Broiling System	Low, Hi (Four-Pass Both Ovens)
Total Adjustable Oven Racks	3
Integrated Handle Racks	1 Aux., 2 Main
Oven Lights	Interior, Manual (Both Ovens)
Removable Glass Door*	•
Window	Large (Main)
Main Oven Interior W x H x D (in.)	24 3/8 x 12 3/4 x 19 1/2
Auxiliary Oven Interior W x H x D (in.)	24 3/8 x 8 3/4 x 19 3/8

COOKTOP FEATURES	
Power Burner (BTU)	1 @ 17,200, 1 @ 12,000
All-Purpose Burner (BTU)	1 @ 9,500
Simmer Burner (BTU)	1 @ 5,000
Grate Styling	Continuous
Porcelain-Coated Cast-Iron Grates	•
Dishwasher-Safe Grates and Knobs**	•
Cooktop Surface	Recessed Porcelain

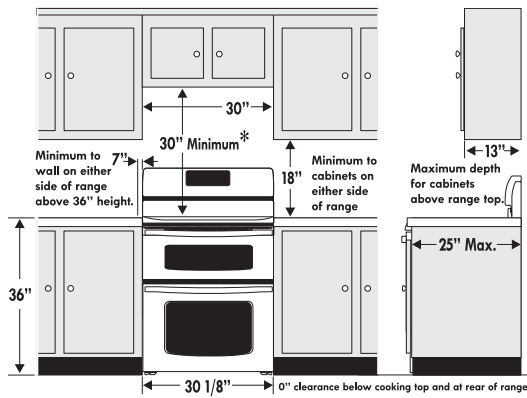
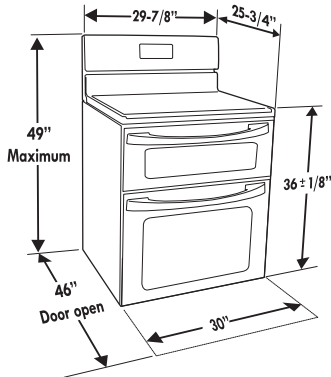
GENERAL FEATURES	
Electronic Ignition	•
Natural Gas Bake / Broil (BTU / Hr.)	Main: 11,500 / — Aux: 10,000 / 11,500
LP Gas Bake / Broil (BTU / Hr.)	Main: 10,500 / — Aux: 9,500 / 10,500
Shipping Weight (Approx. Lbs.)	237

ACCESSORIES	
Gas Connector Required – Stainless Steel; 60" Length 1/2" I.D.	22-49694
Half Rack (Optional)	UXA4905ADX

WARRANTY	
1-Year Limited Warranty – Entire Appliance	Parts & Labor

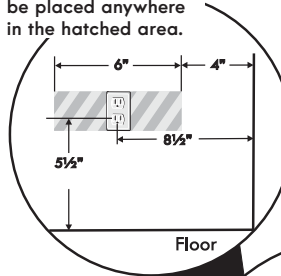
If used for other than private family purposes, warranty applies for only 90 days.
 Aux. = Auxiliary
 †Sabbath Mode overrides auto oven shutoff
 *Stainless model has stainless door
 **Cast metal knobs on stainless model only



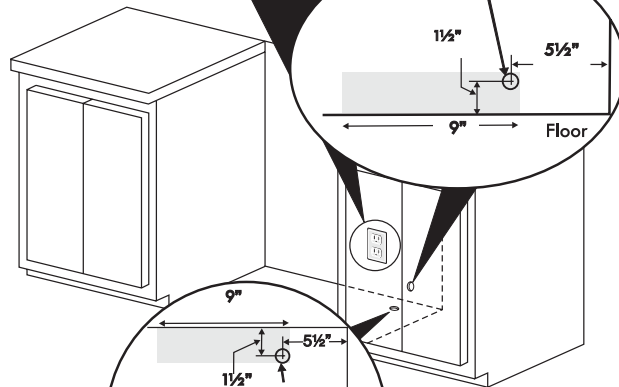


* 30" minimum clearance between the top of the cooking surface and the bottom of an unprotected wood or metal cabinet; or 24" minimum when bottom of wood or metal cabinet is protected by not less than 1/4" flame retardant millboard covered with not less than no. 28 MSG sheet steel, 0.015" stainless steel, 0.024" aluminum or 0.020" copper. The minimum clearance is 0" for the rear of the range. Follow all dimension requirements provided above to prevent property damage, potential fire hazard, and incorrect countertop and cabinet cuts.

NOTE:
The electric outlet can be placed anywhere in the hatched area.



Recommended hole location for through the wall gas entry line.



NOTE:
The gas entry line hole can be also placed anywhere in the shaded area.



All ranges are equipped with an Anti-Tip device. The installation of this device is an important, required step in the installation of the range.

All electronic ignition gas products require a properly grounded 3-hole outlet with standard 120 volt, 60 Hz, AC household current.



Gas Connector - Stainless Steel
22-49694 | 60" Length 1/2" I.D.

