

Use & Care / Installation Manual  
Manual de Uso y Cuidado / Instalación  
English / Español

Models / Modelos 233.5817\*, 233.5818\*

# Kenmore Elite<sup>®</sup> Range Hood Campana de cocina

\* = color number, número de color

SV07328 rev. D

Sears Brands Management Corporation,

Hoffman Estates, IL 60179 USA

[www.kenmore.com](http://www.kenmore.com)

[www.sears.com](http://www.sears.com)



# READ AND SAVE THESE INSTRUCTIONS

## TABLE OF CONTENTS

|   |      |
|---|------|
| Warranty .....                          | 2    |
| Safety Instructions .....               | 3    |
| Operation .....                         | 4    |
| Cleaning.....                           | 4    |
| Parts Included With Hood.....           | 5    |
| Parts Not Included With Hood.....       | 5    |
| Tools Needed For Hood Installation..... | 5    |
| Equivalent Duct Length Chart.....       | 6    |
| Install Ductwork .....                  | 7    |
| Prepare The Hood Location .....         | 7    |
| Prepare The Hood.....                   | 8-10 |
| Install The Hood .....                  | 10   |
| Connect The Wiring .....                | 11   |
| Finalize The Installation .....         | 11   |
| Changing Light Bulbs .....              | 11   |
| Service Parts.....                      | 12   |

## KENMORE LIMITED WARRANTY

When this appliance is installed, operated and maintained according to all supplied instructions, the following warranty coverage applies. To arrange for warranty service, call 1-800-4-MY-HOME® (1-800-469-4663).

- For one year from the date of purchase, any part of this product that fails due to a defect in material or workmanship will receive free repair or replacement if repair proves impossible. The length of this coverage does not apply to the finish of any painted or bright metal part.
- For thirty days date of purchase, any painted or bright metal part of this product will be replaced free of charge if its finish is defective in material or workmanship.

All warranty coverage is void if this product is ever used for other than private household purposes.

**This warranty covers only defects in material and workmanship, and will NOT pay for:**

1. Consumable parts that can wear out from normal use, including but not limited to filters, belts, light bulbs, and bags.
2. A service technician to instruct the user in correct product installation, operation or maintenance.
3. A service technician to clean or maintain this product.
4. Damage to or failure of this product if it is not installed, operated or maintained according to the all instructions supplied with the product.
5. Damage to or failure of this product resulting from accident, abuse, misuse or use for other than its intended purpose.
6. Damage to or failure of this product caused by the use of detergents, cleaners, chemicals or utensils other than those recommended in all instructions supplied with the product.
7. Damage to or failure of parts or systems resulting from unauthorized modifications made to this product.

### **Disclaimer of implied warranties; limitation of remedies**

Customer's sole and exclusive remedy under this limited warranty shall be product repair as provided herein. Implied warranties, including warranties of merchantability or fitness for a particular purpose, are limited to one year or the shortest period allowed by law. Sears shall not be liable for incidental or consequential damages. Some states and provinces do not allow the exclusion or limitation of incidental or consequential damages, or limitation on the duration of implied warranties of merchantability or fitness, so these exclusions or limitations may not apply to you.

This warranty gives you specific legal rights, and you may also have other rights which vary from state to state.

**Sears Brands Management Corporation,  
Hoffman Estates, IL 60179**

# SAFETY INSTRUCTIONS

## READ AND SAVE THESE INSTRUCTIONS

### ⚠ INTENDED FOR DOMESTIC COOKING ONLY ⚠

#### WARNING ⚡ ⚠

TO REDUCE THE RISK OF FIRE, ELECTRIC SHOCK, OR INJURY TO PERSONS, OBSERVE THE FOLLOWING:

1. Use this unit only in the manner intended by the manufacturer. If you have questions, contact the manufacturer at the address listed in the warranty.
2. Before servicing or cleaning unit, switch power off at service panel and lock the service disconnecting means to prevent power from being switched on accidentally. When the service disconnecting means cannot be locked, securely fasten a prominent warning device, such as a tag, to the service panel.
3. Installation work and electrical wiring must be done by a qualified person(s) in accordance with all applicable codes and standards, including fire-rated codes and standards.
4. Sufficient air is needed for proper combustion and exhausting of gases through the flue (chimney) of fuel burning equipment to prevent backdrafting. Follow the heating equipment manufacturer's guideline and safety standards such as those published by the National Fire Protection Association (NFPA), and the American Society for Heating, Refrigeration and Air Conditioning Engineers (ASHRAE), and the local code authorities.
5. When cutting or drilling into wall or ceiling, do not damage electrical wiring and other hidden utilities.
6. When performing installation, servicing or cleaning the unit, it is recommended to wear safety glasses and gloves.
7. Do not use this range hood with any additional solid state speed control device.
8. Ducted fans must always be vented to the outdoors.
9. To reduce the risk of fire, use only metal ductwork.
10. This unit must be grounded.
11. When applicable local regulations comprise more restrictive installation and/or certification requirements, the aforementioned requirements prevail on those of this document and the installer agrees to conform to these at his own expenses.

TO REDUCE THE RISK OF A RANGE TOP GREASE FIRE:

1. Never leave surface units unattended at high settings. Boilovers cause smoking and greasy spillovers that may ignite. Heat oils slowly on low or medium settings.
2. Always turn hood ON when cooking at high heat or when flambeing food (i.e.: Crêpes Suzette, Cherries Jubilee, Peppercorn Beef Flambé).
3. Clean ventilating fans frequently. Grease should not be allowed to accumulate on fan, filters or in exhaust ducts.
4. Use proper pan size. Always use cookware appropriate for the size of the surface element.

#### WARNING ⚡ ⚠

TO REDUCE THE RISK OF INJURY TO PERSONS IN THE EVENT OF A RANGE TOP GREASE FIRE, OBSERVE THE FOLLOWING\*:

1. SMOTHER FLAMES with a close-fitting lid, cookie sheet, or metal tray, then turn off the burner. BE CAREFUL TO PREVENT BURNS. If the flames do not go out immediately, EVACUATE AND CALL THE FIRE DEPARTMENT.
2. NEVER PICK UP A FLAMING PAN - You may be burned.
3. DO NOT USE WATER, including wet dishcloths or towels - This could cause a violent steam explosion.
4. Use an extinguisher ONLY if:
  - A. You know you have a Class ABC extinguisher and you already know how to operate it.
  - B. The fire is small and contained in the area where it started.
  - C. The fire department is being called.
  - D. You can fight the fire with your back to an exit.

\*Based on "Kitchen Fire Safety Tips" published by NFPA.

#### CAUTION ⚠

1. For indoor use only.
2. For general ventilating use only. Do not use to exhaust hazardous or explosive materials and vapors.
3. To avoid motor bearing damage and noisy and/or unbalanced impellers, keep drywall spray, construction dust, etc. off power unit.
4. Your hood motor has a thermal overload which will automatically shut off the motor if it becomes overheated. The motor will restart when it cools down. If the motor continues to shut off and restart, have the hood serviced.
5. For best capture of cooking impurities, the bottom of the hood should be at a minimum distance of 24" and a maximum of 30" above the cooking surface.
6. To reduce the risk of fire and to properly exhaust air on a ducted installation, be sure to duct air outside - Do not exhaust air into spaces within walls or ceiling or into attics, crawl spaces, or garage.
7. This product is equipped with a thermostat which may start blower automatically. To reduce the risk of injury and to prevent power from being switch on accidentally, switch power off at service panel and lock or tag service panel.
8. Because of the high exhausting capacity of this hood, you should make sure enough air is entering the house to replace exhausted air by opening a window close to or in the kitchen.
9. Use with approved cord-connection kit only.
10. Please read specification label on product for further information and requirements.

Warranty

Safety

Operation

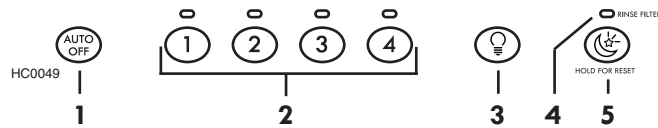
Cleaning

Installation

Service Parts

## OPERATION

Always turn ON your hood before you begin cooking in order to establish an air flow in the kitchen. Let the blower run for a few minutes to clear the air after you turn off the range. This will help keep the whole kitchen cleaner and brighter.



1. Blower Auto OFF switch
2. ON/OFF Blower speed switches
3. Halogen lights switch
4. Filter maintenance indicator
5. Nightlight switch

### Auto OFF switch

When a speed is selected, press the Auto OFF switch to activate the delay function. The corresponding speed indicator LED will start flashing to indicate this function is activated. The fan will continue to operate for 5 minutes and will stop automatically. To cancel the delay function, press the Auto OFF switch once again; the blower will then work in normal mode.

NOTE: The blower speed can be increased - or decreased - during Delay mode without starting another 5-minute cycle.

### ON/OFF Blower speed switches

Press the switch corresponding to the desired blower speed. The light over the switch indicates the selected speed (from 1 for low speed to 4 for high speed). To turn off the blower, press once more on the corresponding blower speed switch.

NOTE: When speed 1 is chosen, the blower will operate at high speed for less than one second and then revert back to speed 1. This operation is normal and is designed for optimal blower performance.

### HEAT SENTRY™

Your hood is equipped with a HEAT SENTRY thermostat. This thermostat is a device that will turn on or speed up the blower if it senses excessive heat above the cooking surface. The light indicator over speed 3 switch will quickly flash.

- 1) If blower is OFF - it turns blower ON to speed 3.
- 2) If blower is ON at a lower (or higher) speed setting - it turns blower to speed 3.

When the temperature level drops to normal, the blower will return to its original setting and the light indicator over speed 3 switch will stop flashing.



**WARNING: The HEAT SENTRY thermostat can start the blower even if the hood is turned OFF. If this occurs, press the speed 3 switch until its light indicator stops flashing if you must stop the blower.**

### Halogen lights switch

This switch provides 3 different lighting levels, according to your needs. The lighting intensity changes by increments of 1 (e.g.: Press once for low intensity, once again to get more, up to three times). From the higher intensity, press once again to shut off the lights.

Uses 120 Volts, 50 W, MR 16 with GU10 base or PAR 16 with GU10 base, shielded halogen bulbs (included).



**WARNING: In order to prevent the risk of personal injury, do not install a lamp identified for use only in enclosed fixtures.**

## OPERATION

### Filter maintenance indicator

After 24 hours of operation, the filter maintenance light indicator will start blinking. This indicates the filters need to be cleaned in order to maintain efficient operation of the unit. The indicator light will blink until the function is reset by pressing the nightlight switch for 3 seconds.

### Nightlight switch

Press this switch once to turn on the nightlight. Press this switch once more to shut off the nightlight.

## CLEANING

### Grease filters

The grease filters and the bottom panel should be cleaned frequently. Use a warm detergent solution. Grease filters are dishwasher safe.

Wash more often if your cooking style generates greater grease - like frying foods or wok cooking.

Remove filters by pulling latch tabs and rotating filters downward.

### Hood Cleaning

#### Stainless steel cleaning:

How to maintain its "BRIGHT LOOK"

#### Do:

- Regularly wash surfaces with clean cloth or rag soaked with warm water and mild soap or liquid dish detergent.
- Always clean in the direction of original polish lines.
- Always rinse well with clear water (2 or 3 times) after cleaning. Wipe dry completely.
- You may also use a specialized household stainless steel cleaner.

#### Do not:

- Use any steel or stainless steel wool or any other scrapers to remove stubborn dirt.
- Use any harsh or abrasive cleaners.
- Allow dirt to accumulate.
- Let plaster dust or any other construction residues reach the hood. During construction/renovation, cover the hood to make sure no dust sticks to stainless steel surface.

#### Avoid when choosing a detergent:

- Any cleaners that contains **bleach** will attack stainless steel.
- Any products containing: **chloride, fluoride, iodide, bromide** will deteriorate surfaces rapidly.
- Any combustible products used for cleaning such as **acetone, alcohol, ether, benzol**, etc., are highly explosive and should not be used close to a range.

#### Enamel Finish:

Clean with warm water and mild detergent only. If discoloration occurs, use a good enamel polish such as automotive polish. (DO NOT use rough abrasive cleaner or porcelain cleaner).

## PARTS INCLUDED WITH HOOD

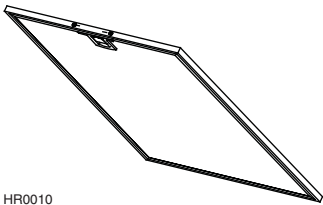
### NOTE

Before proceeding to the installation, check the contents of the box. If items are missing or damaged, contact the manufacturer.



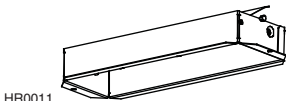
HR0012

**120 V, 50 W, MR16 with GU10 base or PAR 16 with GU10 base, shielded halogen lamps**  
(4 per hood). Sears Part No. SV05921



HR0010

**Grease Filter**  
(2 per hood)



HR0011

**3/4" x 10" Adapter/Damper**



HR0041

**Parts Bag including:**  
1 Wire Clamp LP16-AP  
2 Wire Connectors no. 74B  
5 no. 8 x 1/2" Screws  
3 no. 6 x 1/2" Screws

## PARTS NOT INCLUDED WITH HOOD

Ducting Accessories are not included with hood.  
(See "Equivalent Duct Length Chart" on page 6 for Ducting Accessory Model Nos.)

Warranty

Safety

Operation

Cleaning

Installation

Service Parts

## TOOLS NEEDED FOR HOOD INSTALLATION



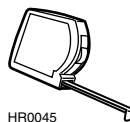
HR0043

**Screwdriver**  
(Robertson or Phillips)



HR0044

**Pencil**



HR0045

**Tape Measure**



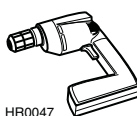
HR0050

**Duct Tape**



HR0051

**Wire Stripper**



HR0047

**Drill**



HR0048

**Sabre Saw**



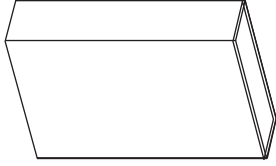
HR0049

**Keyhole Saw**


-or-

# EQUIVALENT DUCT LENGTH CHART


Kenmore range hoods are designed to perform efficiently when attached to long runs of duct. As a point of reference, this hood will function at approximately 80% of its rated air performance when 100 equivalent feet of 7" round ductwork is attached. Use this chart to calculate the equivalent duct length of your system.



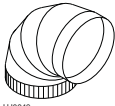
HJ0048  
**Broan Model 401**  
**Straight Duct**  
**3 1/4" x 10" x 2' long**  
 Equivalent length  
**2 ft.**



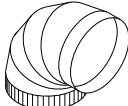
HJ0050  
**Broan Model 406**  
**Straight Duct**  
**6" round x 2' long**  
 Equivalent length  
**2 ft.**




HJ0050  
**Broan Model 407**  
**Straight Duct**  
**7" round x 2' long**  
 Equivalent length  
**2 ft.**




HJ0049  
**Broan Model 419**  
**6" Round Elbow**  
 Equivalent length  
**8 ft.**



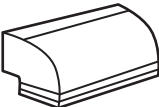
HJ0049  
**Broan Model 415**  
**7" Round Elbow**  
 Equivalent length  
**10 ft.**



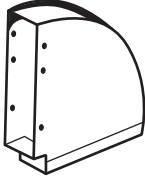
HJ0056  
**Sears Model 59581**  
**3 1/4" x 10" to 6" Round Transition**  
 Equivalent length  
**5.5 ft.**



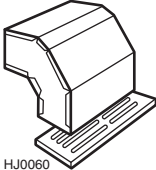
HJ0057  
**Broan Model 412H**  
**3 1/4" x 10" to 7" Round Transition**  
 Equivalent length  
**5.5 ft.**



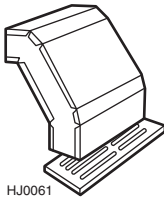
HJ0058  
**Broan Model 428**  
**3 1/4" x 10" Right-angle Elbow**  
 Equivalent length  
**8.5 ft.**



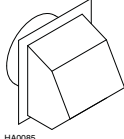
HJ0059  
**Broan Model 429**  
**3 1/4" x 10" Right-angle Flat Elbow**  
 Equivalent length  
**24 ft.**



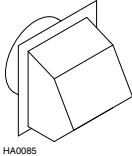
HJ0060  
**Broan Model 430**  
**3 1/4" x 10" Right-angle Short Eave Elbow**  
 Equivalent length  
**15 ft.**



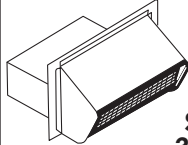
HJ0061  
**Broan Model 431**  
**3 1/4" x 10" Right-angle Long Eave Elbow**  
 Equivalent length  
**15 ft.**



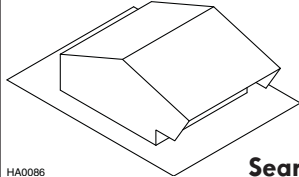
HA0085  
**Sears Model 59691**  
**6" Round Wall Cap**  
 Equivalent length  
**34 ft.**  
 (6 ft. w/o damper)



HA0085  
**Broan Model 647**  
**7" Round Wall Cap**  
 Equivalent length  
**34 ft.**  
 (6 ft. w/o damper)



HA0037  
**Sears Model 59391**  
**3 1/4" x 10" Wall Cap**  
 Equivalent length  
**45 ft.**  
 (7 ft. w/o damper)



HA0086  
**Sears Model 59091**  
**Roof Cap**  
 (accepts 7" round or 3 1/4" x 10" duct)  
 Equivalent length  
**30 ft.**  
 (7 ft. w/o damper)

Sears Model "Ducting Accessories" available by calling Sears at:  
 1-800-4-MY-HOME®

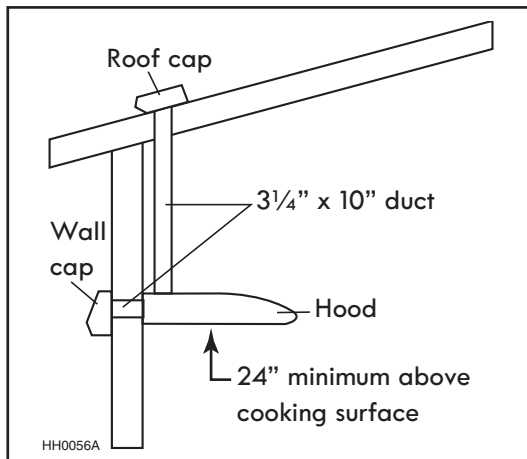
Broan Model "Ducting Accessories" available by calling Broan at:  
 1-800-558-1711

# INSTALL DUCTWORK

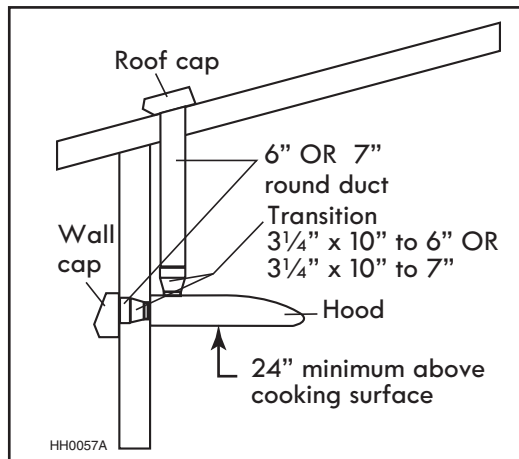
- Plan where and how the ductwork will be located. Install proper-sized ductwork, transition(s), elbow(s), and roof or wall cap. For best results, use a minimum number of transitions and elbows. Use 2" metal foil duct tape to seal duct joints.

**The minimum hood distance above cooktop must not be less than 24". A maximum of 30" above cooktop is highly recommended for best capture of cooking impurities.**

Distances over 30" are at the installer and users discretion.



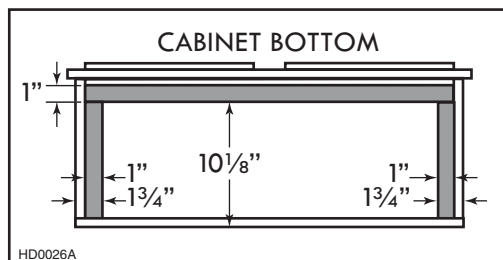
**INSTALLATION WITH RECTANGULAR DUCT**



**INSTALLATION WITH ROUND DUCT**

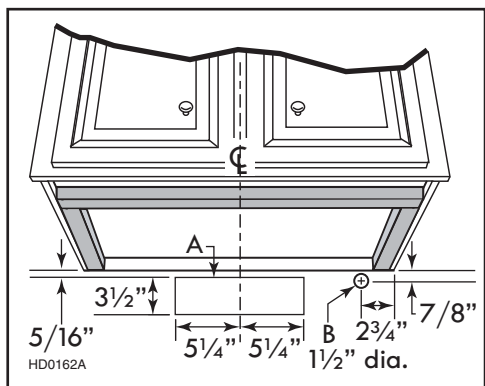
# PREPARE THE HOOD LOCATION

- If the bottom of the cabinet is recessed, attach three 1" wide wood strips (not included), as shown beside, in order to properly attach the hood to the cabinet. The wood strips must be as thick as the recess.

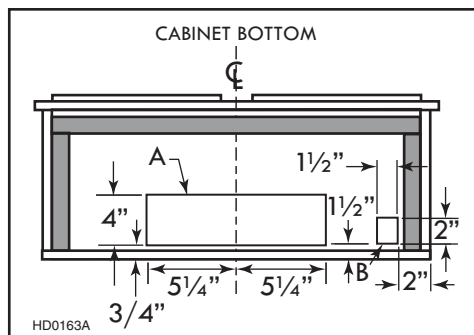


- Cut-out the openings for duct (A) and power cable (B), in cabinet or wall, according to the direction or discharge chosen. See figures below.

## HORIZONTAL DISCHARGE



## VERTICAL DISCHARGE



Warranty

Safety

Operation

Cleaning

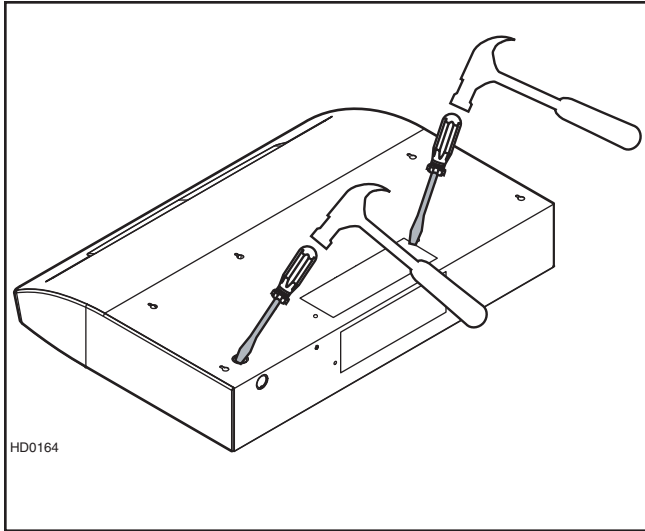
Installation

Service Parts

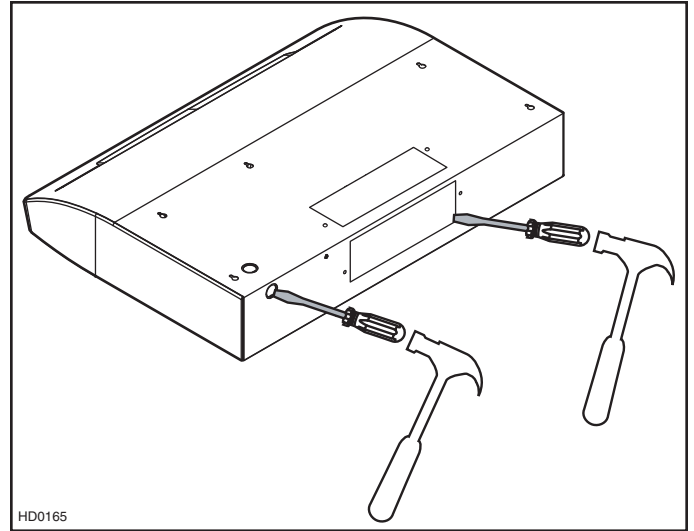
## PREPARE THE HOOD

1. Punch-out the knock-out for the chosen opening (horizontal at the back or vertical on top of the hood) and for electrical connection.

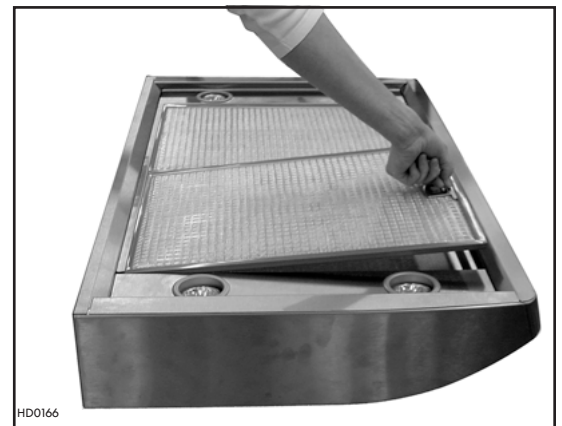
### **VERTICAL DISCHARGE**



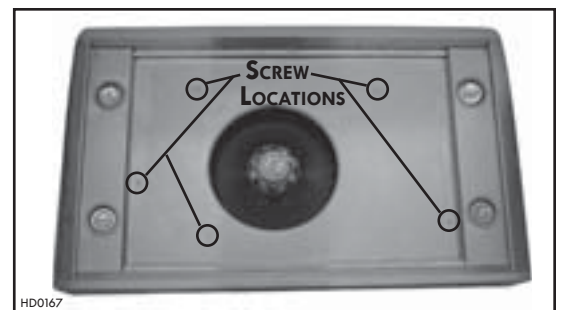
### **HORIZONTAL DISCHARGE**



2. Pull latch tab and remove both filters from the hood.



3. Remove the 5 screws retaining the bottom panel to the hood and set aside. Pull out the bottom panel by the front part.





## PREPARE THE HOOD

4. Unplug both light connectors mounted on each side panels. See picture beside.



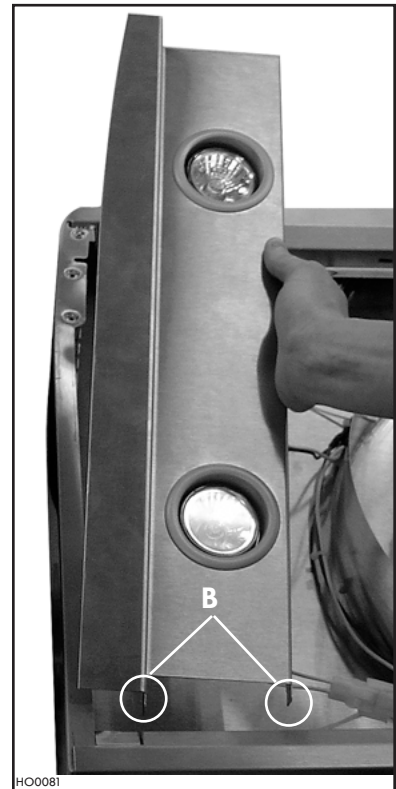
5. To remove side panel, hold it near the front of the hood and slide in the same direction as the small arrow (A) in order to disengage it.



6. Then lift the front of the side panel.



7. Pull out the side panel tabs (B) from the hood and remove the side panel.



Warranty

Safety

Operation

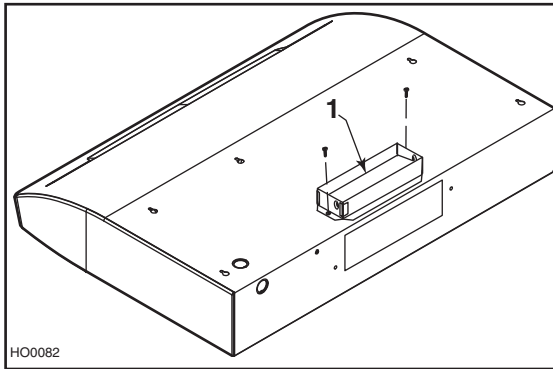
Cleaning

Installation

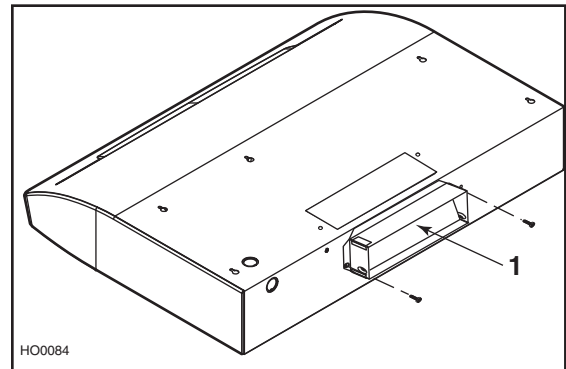
Service Parts

## PREPARE THE HOOD

### VERTICAL DISCHARGE

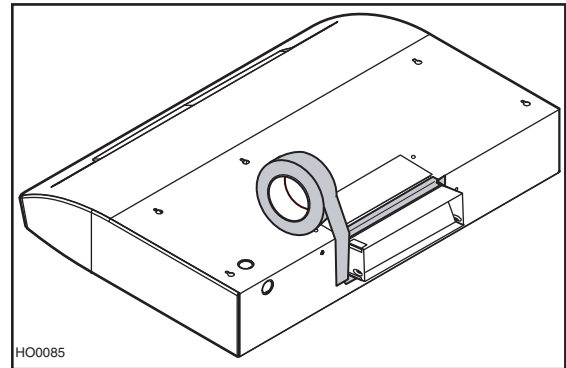
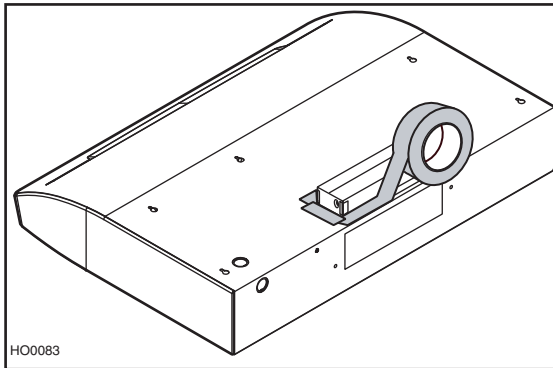


### HORIZONTAL DISCHARGE



8. Using 2 no. 6 x 1/2" screws, assemble the adapter/damper to the hood.

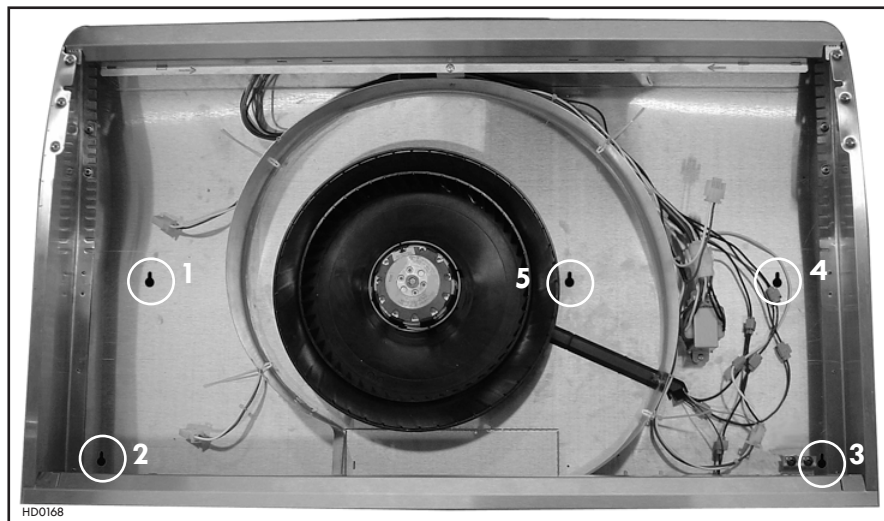
NOTE: Damper flap pivot (1) to the front of the hood for vertical discharge and for horizontal discharge, damper flap pivot to top of hood.



9. Seal the adapter/damper to the hood using duct tape.

## INSTALL THE HOOD

1. Run power cable to installation location. Position the hood in its intended location. Using a pen, mark the position of the screws (smaller part of the keyhole, see picture below for the 5 keyhole locations). Remove the hood. Install 4 no. 8 x 1/2" screws, leaving a 1/8" gap. Do not install the no. 5 screw yet.



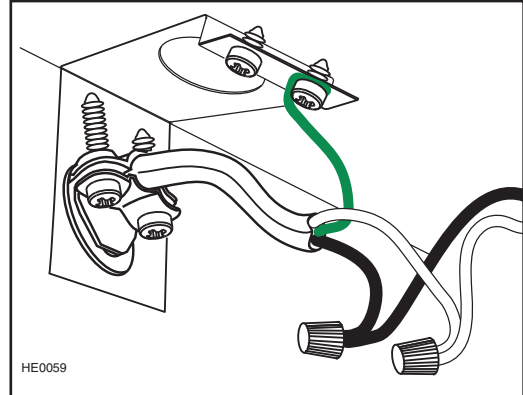
2. Attach the wire clamp, insert the power cable in the hood and tighten the wire clamp to secure the cable. Place the hood under the cabinet and slide it in position. Make sure the adapter/damper assembly enters the duct opening. Tighten the 4 screws completely, then add the last screw (screw no. 5) in the center keyhole. Make sure the damper flap opens freely.

## CONNECT THE WIRING



**WARNING:** Risk of electrical shock. Electrical wiring must be done by qualified personnel in accordance with all applicable codes and standards. Before connecting wires, switch power off at service panel and lock service disconnecting means to prevent power from being switched on accidentally.

1. Connect cable using provided **wire connectors**. Connect BLACK to BLACK, WHITE to WHITE and GREEN or bare wire under GREEN ground screw. **DO NOT FORGET TO CONNECT THE GROUND.**



Warranty

Safety

## FINALIZE THE INSTALLATION

1. Reinstall both side panels. **DO NOT FORGET TO PLUG BACK THE LIGHT CONNECTORS!**
2. Reinstall bottom panel using 5 screws from Step 3 of "Prepare The Hood" Section.



**CAUTION:** Remove protective plastic film covering filters before installing them.

3. Reinstall both filters.

Operation

## CHANGING LIGHT BULBS



**WARNING:** Do not touch lamps during or soon after operation. Burns may occur. In order to prevent the risk of personal injury, only install shielded halogen lamps. Also, never install a cool beam, a dichroic lamp, a lamp not suitable for use in recessed luminaires or identified for use in enclosed fixtures.

This hood requires 120 V, 50 W, MR16 type, GU10 shielded halogen lamps (included).

Refer to page 12 for ordering information.

1. To remove lamps, gently push upwards and turn counterclockwise to disengage bulb leads from their grooves.



2. Install the new lamps by placing the bulb leads into their grooves in the socket and gently push upwards and turn clockwise until secure.

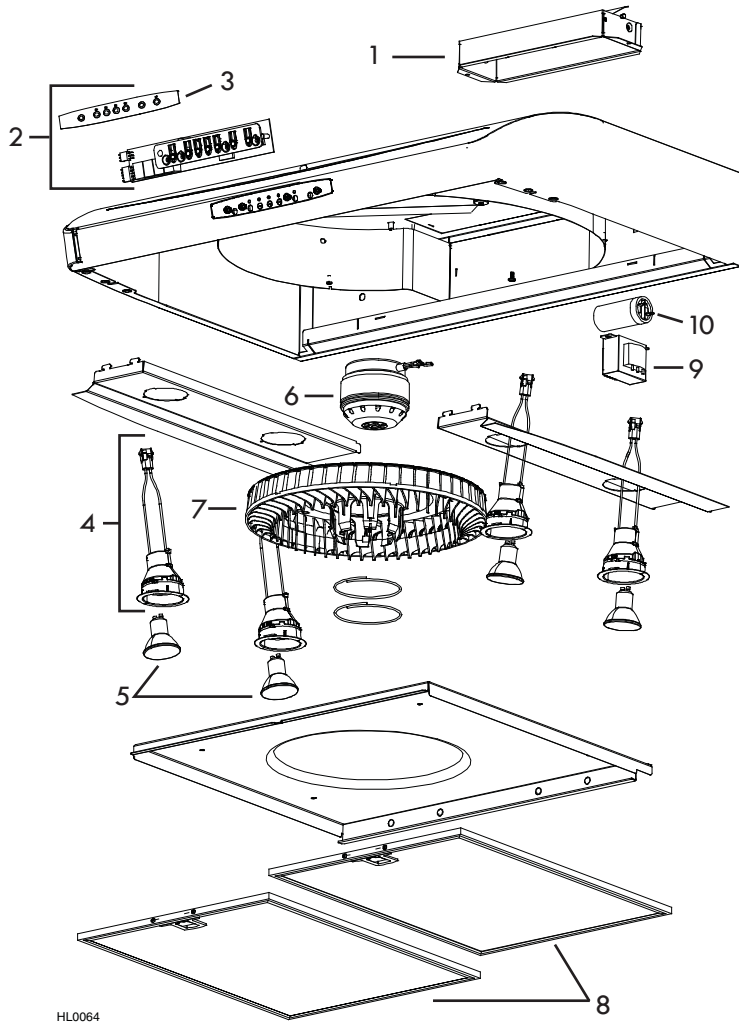


Cleaning

Installation

Service Parts

## SERVICE PARTS



HL0064

### REPLACEMENT PARTS AND REPAIRS

In order to ensure your unit remains in good working condition, you must use the manufacturer genuine replacement parts only. The manufacturer genuine replacement parts are specially designed for each unit and are manufactured to comply with all the applicable certification standards and maintain a high standard of safety. Any third party replacement part used may cause serious damage and drastically reduce the performance level of your unit, which will result in premature failing. The manufacturer recommends to contact a certified service depot for all replacement parts and repairs.

Order replacement parts by PART NO., not by KEY NO.

| KEY NO. | PART NO. | DESCRIPTION   | 30" WIDTH | 36" WIDTH |
|---------|----------|---|-----------|-----------|
| 1       | SV13296  | Adapter/Damper  | 1         | 1         |
| 2       | SV16571  | Electronic Control Module, Black (including Overlay, item 3)  | 1         | 1         |
|         | SV16572  | Electronic Control Module, White (including Overlay, item 3)  | 1         | 1         |
| 3       | SV07322  | Overlay Black   | 1         | 1         |
|         | SV07323  | Overlay White   | 1         | 1         |
| 4       | SV16569  | Lamp Shell, Socket & Trim Ass'y   | 4         | 4         |
| 5       | SV05921  | Halogen Lamp (50 W, 120 V, PAR 16, GU-10)   | 4         | 4         |
| 6       | SV01766E | Motor (including Wheel, item 7)   | 1         | 1         |
| 7       | SV06111  | Wheel   | 1         | 1         |
| 8       | SV07332  | Filters with latch, square pressed, 9.92" x 17.98" x 0.35"  | 2         | 1         |
|         | SV07333  | Filters with latch, square pressed, 12.92" x 17.98" x 0.35"   | 1         | 2         |
| 9       | SV07325  | Transformer   | 1         | 1         |
| 10      | SV02160  | Capacitor   | 1         | 1         |
| *       | SV09428  | Kenmore Elite Logo  | 1         | 1         |
| *       | SV07326  | Harness   | 1         | 1         |
| *       | SV07328  | Kenmore Elite Installation Manual   | 1         | 1         |
| *       | SV06751  | Installation Bag: 1 Wire Clamp LP16-AP, 2 Wire Connectors no. 74B, 5 no. 8 x 1/2" Screws, 3 no. 6 x 1/2" Screws | 1         | 1         |

\*Not illustrated.

# Get it fixed, at your home or ours!

## Your Home

For troubleshooting, product manuals and expert advice:



[www.managemylife.com](http://www.managemylife.com)

---

For repair – **in your home** – of **all** major brand appliances, lawn and garden equipment, or heating and cooling systems, **no matter who made it, no matter who sold it!**

For the replacement parts, accessories and owner's manuals that you need to do-it-yourself.

For Sears professional installation of home appliances and items like garage door openers and water heaters.

**1-800-4-MY-HOME®** (1-800-469-4663)

Call anytime, day or night (U.S.A. and Canada)

[www.sears.com](http://www.sears.com)      [www.sears.ca](http://www.sears.ca)

---

## Our Home

For repair of carry-in items like vacuums, lawn equipment, and electronics, call anytime for the location of your nearest

**Sears Parts & Repair Service Center**

**1-800-488-1222** (U.S.A.)      **1-800-469-4663** (Canada)

[www.sears.com](http://www.sears.com)      [www.sears.ca](http://www.sears.ca)

---

To purchase a protection agreement on a product serviced by Sears:

**1-800-827-6655** (U.S.A.)      **1-800-361-6665** (Canada)

---

Para pedir servicio de reparación a domicilio, y para ordenar piezas:

**1-888-SU-HOGAR®**

(1-888-784-6427)

[www.sears.com](http://www.sears.com)

Au Canada pour service en français:

**1-800-LE-FOYER<sup>MC</sup>**

(1-800-533-6937)

[www.sears.ca](http://www.sears.ca)

The Sears logo, featuring the word "Sears" in a large, bold, serif font with a stylized 'S'.

® Registered Trademark / <sup>TM</sup> Trademark of KCD IP, LLC in the United States, or Sears Brands, LLC in other countries

® Marca Registrada / <sup>TM</sup> Marca de Fábrica de KCD IP, LLC en Estados Unidos, o Sears Brands, LLC in otros países

<sup>MC</sup> Marque de commerce / <sup>MD</sup> Marque déposée de Sears Brands, LLC