



Kenmore Elite 36-Inch Sealed Gas Cooktop

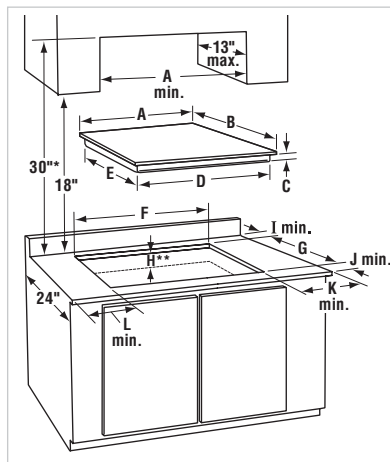
- White 22-32312
- Stainless 22-32313
- Black 22-32319

- Frameless, recessed design
- Porcelain surface (32313: stainless surface)
- One 18,000-900 BTU dual ring power burner
- One 18,200 BTU Turbo Boil™ power burner
- Two 9,500 BTU all-purpose burners
- One 5,000 BTU simmer burner
- Dishwasher-safe, continuous, porcelain coated cast-iron grates
- Cast metal knobs

Model	22-32312	22-32313	22-32319
Overall	White	Stainless	Black
Knobs	White	Stainless	Black
Surface	White	Stainless	Black
Grates	Black	Black	Black

SELECTION	ELITE
White	22-32312
Stainless	22-32313
Black	22-32319
COOKTOP FEATURES	
Burner Type	Sealed
Dual Ring Power Burner (BTU)	1 @ 18,000-900
Power Burner (BTU)	1 @ 18,200 Turbo Boil™
All-Purpose Burner (BTU)	2 @ 9,500
Simmer Burner (BTU)	1 @ 5,000
Simmer Burner Location	Right Rear
Grate Styling	Continuous Matte Finish
Grate Material	Porcelain-Coated Cast-Iron
Dishwasher-Safe Grates	•
Cast Metal Knobs	•
Cooktop Surface	Porcelain (32313: Stainless)
Recessed Design	•
Valves (Degrees of Turn)	270
GENERAL FEATURES	
Approved for Use with Select Kenmore Undercounter Ovens	•
Electronic Ignition	•
Convertible to LP*	Kit Included
Shipping Weight (Approx. Lbs.)	65
WARRANTY	
1 Year Limited – Entire Appliance	Parts & Labor
2-5 Year Limited – Glass Cooktop, Cooktop Elements	Parts

If used for other than private family purposes, warranty applies for only 90 days. *LP orifices included; conversion must be done by qualified LP installer



NOTE: Drawers cannot be used with this cooktop since burner box extends 3 5/32" below surface of countertop. (Specific models only)

*30 min. clearance between the top of the cooking platform and the bottom of an unprotected wood or metal cabinet. 24" min. clearance when bottom of wood or metal cabinet is protected by not less than 1/8" flame retardant millboard covered by not less than No. 28 MSG sheet steel, 0.015" stainless steel, 0.024" aluminum or 0.020" copper.

**Includes a 5" space below cooktop for connection to gas supply line.

Dimensions, Inches	Cutout											
	A	B	C	D	E	F	G	H	I	J	K	L
22-3231X	36	21 3/4	4 1/4	33 1/4	19	33 7/8 - 34 1/4	19 1/8 - 19 3/4	8	2 1/2	2 1/2	5	5