



Shown with dryer 26-8/91102 and optional 15-inch drawer pedestals 26-58892

Kenmore Elite Front-Loading High-Efficiency Steam Washer

- White 26-41102
- Lemongrass 26-41101
- Blackberry 26-41100

- 5.0 cu. ft. I.E.C. equivalent capacity* can wash 45 XL T-shirts in a single load
- Electronic LED SmoothTouch™ controls
- SmartMotion™ technology (8 motions: cradling, soaking, stirring, showering, tumbling, swinging, scrubbing, rolling)
- Maximum spin speed of 1350 RPM
- Internal water heater
- Time Manager® saves you up to 30% more time when doing laundry by shortening wash times while still keeping all segments of the washing process and getting your clothes clean
- 15 wash cycles and 14 wash options
- Steam Refresh™ cycle
- Stain Treat™ option
- Cold Clean™ cycle
- Express Wash cycle
- Vibration Guard™ with mass dampener
- 4 tray dispenser
- NSF® Certified
- Reversible door

WASHER SELECTION	ELITE
White	26-41102
Lemongrass	26-41101
Blackberry	26-41100

WASHER FEATURES	STEAM
Capacity (cu. ft.)	5.0 I.E.C. Equivalent*
Cleans ___ X-Large T-Shirts in 1 Load	45
Steam Care™	•
Internal Water Heater	•
Time Manager® Technology	•
SmartMotion™ Technology	8 Motions
Wash / Spin Speeds	Variable / Infinite
Maximum Spin Speed	1350 RPM
Number of Water Levels	Automatic

CYCLES AND OPTIONS	15 / 14
Specialty Cycles and Options	Whites Whites, Express Sanitize (NSF® Certified), Heavy Duty, Towels, Normal / Casual, Bulky Bedding, Handwash, Delicates, Silk, Express Wash, Steam Refresh™, Install
Energy Saving Cycles and Options	Cold Clean™
Rinse & Spin	•
Wash / Rinse Water Temperatures	5
Add Steam	•
Stain Treat™	•
PreWash	•
Delay Start	Up to 16 Hours
Clean Washer	•
Extra Rinse / Second Rinse	•
Extra Spin	•

CONVENIENCE FEATURES	
Est. Time Remaining Display	•
Status Indicator(s)	•
Drum Light	LED
Dispenser	4 Tray
Door Safety / Control Lock	•

GENERAL FEATURES	
Controls	Electronic LED SmoothTouch™
Door Configuration	Reversible
Stainless Steel Wash Drum	•
Unbalanced Control System	Vibration Guard™
Optional Pedestals	26-58890 / 1 / 2
Stackable Installation Kit	Included with Dryer
Volts / Hz / Amps	120 / 60 / 12
ENERGY STAR® Qualified	•
CEE Rating	Tier 3
Est. Yearly Energy Consumption	104 kWh / yr
Est. Yearly Operating Cost†	\$12
Water / Energy Saved Per Year	71% / 60%††

DIMENSIONS / WEIGHT	
Product Dimensions (Inches) (H x W x D x D with Door Open)	38 x 27 x 31 1/2 x 53 1/2
Item Weight (Approx. Lbs.)	240
Shipping Weight (Approx. Lbs.)	240

WARRANTY	
1-Year Limited Warranty – Entire Appliance	Parts & Labor

If used for other than private family purposes, warranty applies for only 90 days.
 *Equivalent volume per I.E.C. International Standard, 4th edition, based on cu. ft. D.O.E. measurement: (5.0 I.E.C. = 4.33 cu. ft.)
 †Compared to minimum Federal D.O.E. standard for conventional unit. Average water consumption based on all non-qualified models July 2009. Based on 391 loads / year conventional unit uses 12,179 gal / year. Source: www.energystar.gov (clothes washer savings calculator). All kWh / year estimates take into account dryer energy. All estimates assume households with an electric water heater and electric dryer. All kWh / year estimates are adjusted to include dryer energy. Dollar savings assume the following electric and water rates: \$0.1065 / kWh electric; \$1.218 / therm. Source: U.S. D.O.E.
 ††Compared to a conventional washer manufactured before 2004, using the Normal cycle



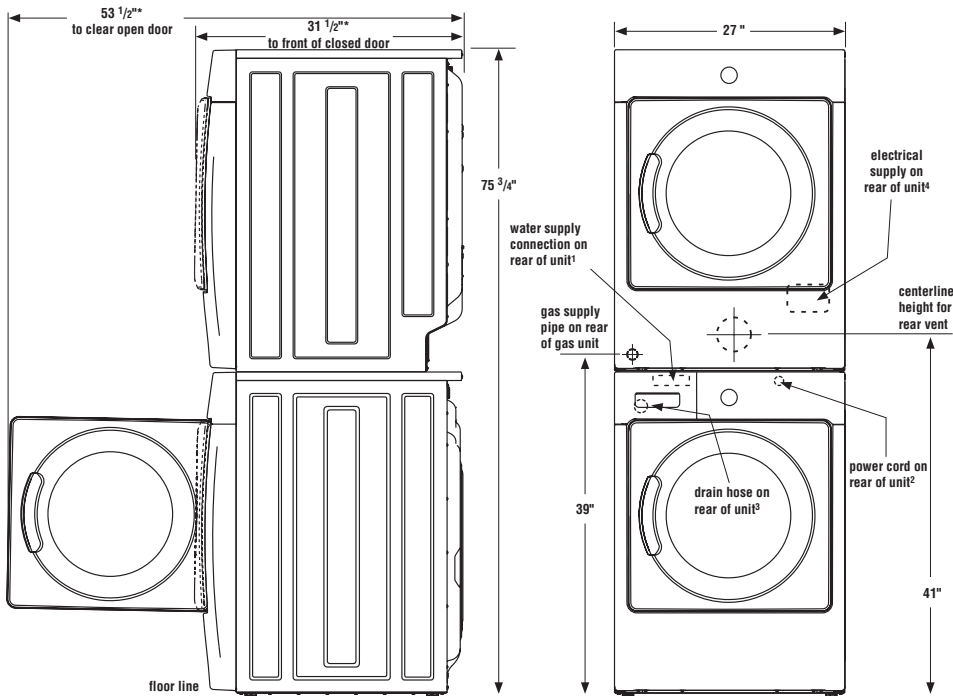
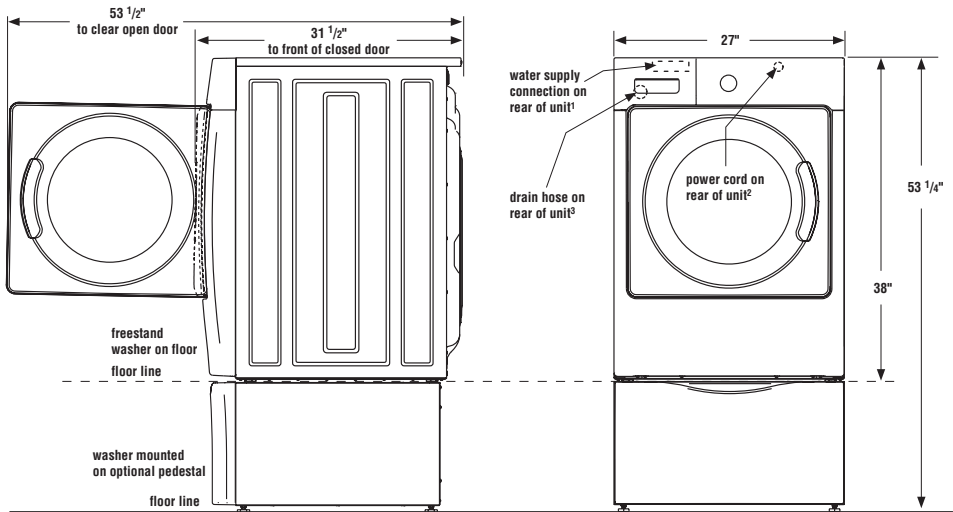
*Equivalent volume per I.E.C. International Standard, 4th edition, based on 4.33 cu. ft. D.O.E. measurement



WASHER AND DRYER DIMENSIONS / OPTIONAL PEDESTALS / STACKING KITS

Washer	Washer Dimensions W x H x D (Depth with Door Open)	Dryer	Dryer Dimensions W x H x D (Depth with Door Open)	Color	Stacking Kit	Pedestal	Pedestal Dimensions W x H x D
26-41102	27" x 38" x 31 1/2" (53 1/2")	26-8/91102	27" x 38" x 31 1/2" (53 1/2")	White	Included in Dryer	26-58892	27" x 15" x 27"
26-41101	27" x 38" x 31 1/2" (53 1/2")	26-8/91101	27" x 38" x 31 1/2" (53 1/2")	Lemongrass	Included in Dryer	26-58891	27" x 15" x 27"
26-41100	27" x 38" x 31 1/2" (53 1/2")	26-8/91100	27" x 38" x 31 1/2" (53 1/2")	Blackberry	Included in Dryer	26-58890	27" x 15" x 27"

INSTALLATION OPTIONS



*Connection of water inlet hose on steam dryer adds 3/4 in. to installation depth.

¹ Hot and cold inlet hose length on washer approximately 48.5 inches.

² Power supply cord length on washer approximately 60 inches.

³ Drain hose length on washer approximately 59 inches.

⁴ Power supply cord length on gas dryer approximately 60 inches.