



26-81102/1/0, 26-91102/1/0



Shown with washer 26-41102 and optional drawer pedestals 26-58892

Kenmore Elite Front-Loading Steam Dryer



Electric Dryer

- White 26-81102
- Lemongrass 26-81101
- Blackberry 26-81100






Gas Dryer

- White 26-91102
- Lemongrass 26-91101
- Blackberry 26-91100

- 8.0 cu. ft. capacity
- Steam Care™ with direct water hook up
- Electronic LED SmoothTouch™ controls
- 15 drying cycles and 12 drying options
- Sensor drying with 4 moisture sensor bars in the drum
- Steam Refresh™ cycle
- NSF® Certified sanitize cycle
- Drying rack
- Stainless steel drum
- LED drum light
- Reversible side-swing door with see-through window
- 4-way electrical / gas kitless rear venting

Gas Dryer Connector – Stainless Steel		
	26-49590	1/2" - 3/8" Flex, 5 ft.
	26-49585*	3/8" - 3/8" Flex, 5 ft.

*Los Angeles only

POWER CORDS FOR ELECTRIC DRYERS ONLY			
26-49387, 26-49787	All Electric Dryers Require Cord		26-49388, 26-49788
	Order	Wire	Length
	26-49387	3	4 ft.
	26-49787	3	6 ft.
	26-49388*	4	4 ft.
	26-49788*	4	6 ft.

*Complies with 1/1/96 NEC code revision for new construction and remodeling

SELECTION	ELITE
Electric Dryers:	
White	26-81102
Lemongrass	26-81101
Blackberry	26-81100
Gas Dryers:	
White	26-91102
Lemongrass	26-91101
Blackberry	26-91100
DRYER FEATURES	
STEAM	
Capacity (cu. ft.)	8.0
Steam Care™	•
Soft Heat Technology	8 Cycles
Temperature Selections	5
Sensor Drying System	4 Moisture Sensor Bars
CYCLES AND OPTIONS	
15 / 12	
Specialty Cycles and Options	Heavy Duty, Allergen, Sanitize (NSF® Certified), Khaki / Jeans, Towels, Bulky Bedding, Delicates, Mixed Load, Normal / Casual, Touch Up, Install, Automatic Dry
Steam Cycles and Options	Steam Refresh™
Timed Drying	Up to 60 Minutes
Express Dry	•
Extra Dry	•
Air Dry	•
Wrinkle Guard®	Up to 60 Minutes
More Time / Less Time	•
Add Steam	•
CONVENIENCE FEATURES	
Drying Rack	Included
Check Vent	•
Time Remaining Display	•
Status Indicator(s)	•
Damp Dry Signal	•
Drum Light	LED
Control Lock	•
Venting Electric / Gas	4-Way Kitless Rear Venting / 4-Way Kitless Rear Venting
Rear Venting	Duct Elbow #49609
GENERAL FEATURES	
Controls	Electric LED SmoothTouch™
Stainless Steel Drum	•
Door Configuration	Reversible
See-Through Window	•
Optional Pedestals	26-58890 / 1 / 2
Stackable Installation Kit	Included
Electric Volts / Hz / Amps	240 / 60 / 30
Electric Dryer Circuit Requirements (60Hz)	30 Amp Circuit Breaker Time Delay Fuse
Gas Dryer Rating: Volts / Hz / Amps	120 / 60 / 15
Gas Burner BTU / Hour	20,000
LP Gas Conversion Kit	26-38239
Gas Pipe Size (O.D. Inches)	3/8
DIMENSIONS / WEIGHT	
Product Dimensions (Inches) (H x W x D x D with Door Open)	38 x 27 x 31 1/2 x 53 1/2
Item Weight (Approx. Lbs.)	130
Shipping Weight (Approx. Lbs.)	130
WARRANTY	
1-Year Limited Warranty – Mechanical and Electrical Parts	Parts & Labor

If used for other than private family purposes, warranty applies for only 90 days.



DRYER VENTING RECOMMENDATIONS

4-WAY VENTING KIT

Call Sears Parts 1-800-225-2864 38020
 26-38239 LP Kit Dryers

26-98379 — Vent Hood
 Aluminum body and plastic molded hood with a 4" opening.

Clamps are recommended for wall and dryer connections. Steel clamps designed to resist stretching, with phillips/hex head screw are included one each on elbows and periscopes.

IMPORTANT NOTE:

Do not use non-metal flexible duct. Also, when installing the venting system, do not exceed the specified length for the vent duct. Venting systems which are longer than specified will accumulate lint, increase drying time and energy use and shorten the life of the dryer.

VENT HOOD TYPE

Number of 90° Turns	4"	4"	2 1/2"	Max. Length of 4" Dia. Rigid Heavy Metal Vent
0	125 ft	125 ft	110 ft	
1	115 ft	115 ft	100 ft	
2	105 ft	105 ft	90 ft	
3	95 ft	95 ft	80 ft	
4	85 ft	85 ft	70 ft	

4" Clearance Behind the Dryer is Preferred for Best Airflow.
 2" Clearance is Achieved With Periscopes.

4" CLEARANCE BEHIND DRYER

26-49900 — Over-The-Top™ Kit
 Universal solution, 8 foot length. Kit includes two 4 ft. pipe sections with attached elbows, two close elbows, clamps and wall plate.



26-49608 — Flexible Pipe
 4" x 6' with snap-lock fittings, 90° turn takes 1 foot length and 6 inch clearance.

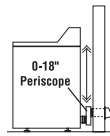


26-49609 — Close Elbow
 Turns 90° within 4", rotating collars and snap-lock fittings.



2" CLEARANCE BEHIND DRYER

26-49908 — Periscope 0-18"
 For outlets that overlap or are very close



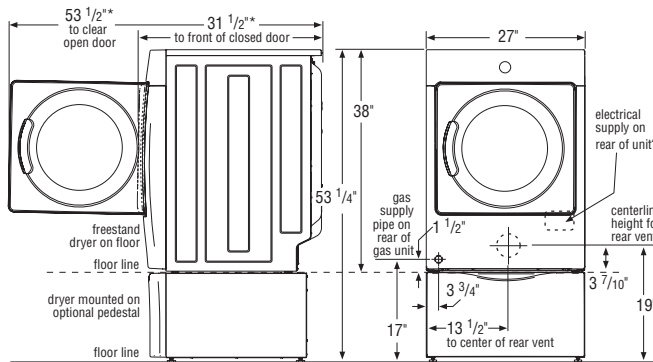
26-49904 — Periscope 18-29"
 Reaches side of most dryers

26-49905 — Periscope 29-50"
 Reaches top of most dryers

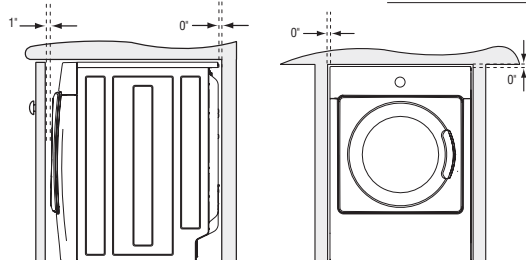
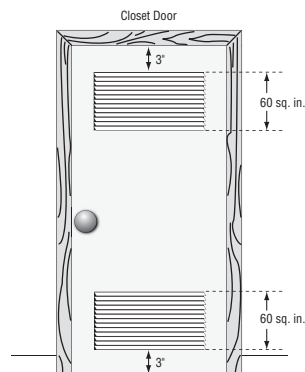
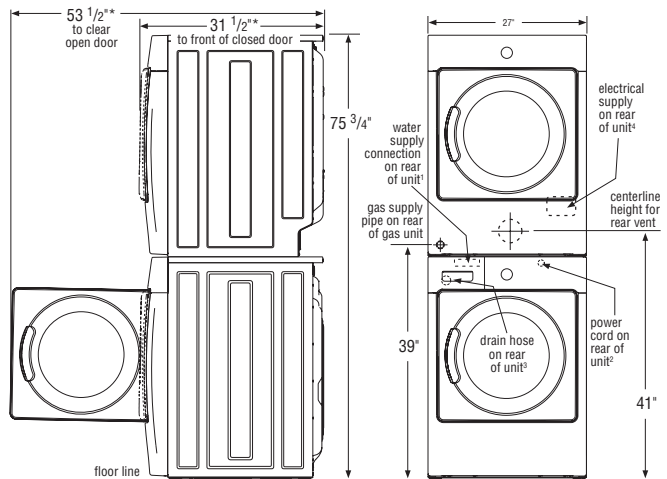
WASHER AND DRYER DIMENSIONS / OPTIONAL PEDESTALS / STACKING KITS

Washer	Washer Dimensions W x H x D (Depth with Door Open)	Dryer	Dryer Dimensions W x H x D (Depth with Door Open)	Color	Stacking Kit	Pedestal	Pedestal Dimensions W x H x D
26-41102	27" x 38" x 31 1/2" (53 1/2")	26-8/91102	27" x 38" x 31 1/2" (53 1/2")	White	Included	26-58892	27" x 15" x 27"
26-41101	27" x 38" x 31 1/2" (53 1/2")	26-8/91101	27" x 38" x 31 1/2" (53 1/2")	Lemongrass	Included	26-58891	27" x 15" x 27"
26-41100	27" x 38" x 31 1/2" (53 1/2")	26-8/91100	27" x 38" x 31 1/2" (53 1/2")	Blackberry	Included	26-58890	27" x 15" x 27"

INSTALLATION OPTIONS



*Connection of water inlet hose on steam dryer adds 3/4 in. to installation depth.
¹Power supply cord length on gas dryer approximately 60 inches.
²Hot and cold inlet hose length on washer approximately 48.5 inches.
³Drain hose length on washer approximately 59 inches.
⁴Power supply cord length on washer approximately 60 inches.



Installation in a recess or closet
 1. A dryer installed in a bedroom, bathroom, recess or closet, MUST be exhausted outdoors.
 2. No other fuel burning appliance shall be installed in the same closet as the gas dryer.
 3. Your dryer needs the space around it for proper ventilation.

DO NOT install your dryer in a closet with a solid door.
 4. Closet door ventilation required: a minimum of 120 square inches of opening, equally divided at the top and bottom of the door, is required. Openings should be located 3 inches from bottom and top of door. Openings are required to be unobstructed when a door is installed. A louvered door with equivalent air openings for the full length of the door is acceptable.