



Kenmore PRO 30-Inch Self-Clean Dual-Fuel Range

22-79523 – Stainless

- The best of both cooking worlds—gas on top and electric in the oven!
- 4.2 cu. ft. oven
- True convection cooking with third element
- Self-clean oven with true hidden, 8-pass bake element
- Three heavy-duty integrated handle oven racks
- Five sealed burners: 27,000 BTU power bridge burner with three 9,000 BTU burners, one 17,200 BTU power burner, and one 500 to 5,000 BTU simmer burner
- Full coverage center grate
- Sealed burners on a recessed gas-thru-glass cooktop
- Dishwasher-safe, porcelain-coated cast-iron continuous matte grates
- Food temperature probe
- Professional analog temperature gauge

Model	22-79523
Overall	Stainless
Console	Stainless
Knobs	Stainless Look
Door / Drawer	Stainless
Sides	Stainless
Handle	Stainless
Surface	Black
Matte Grates	Black

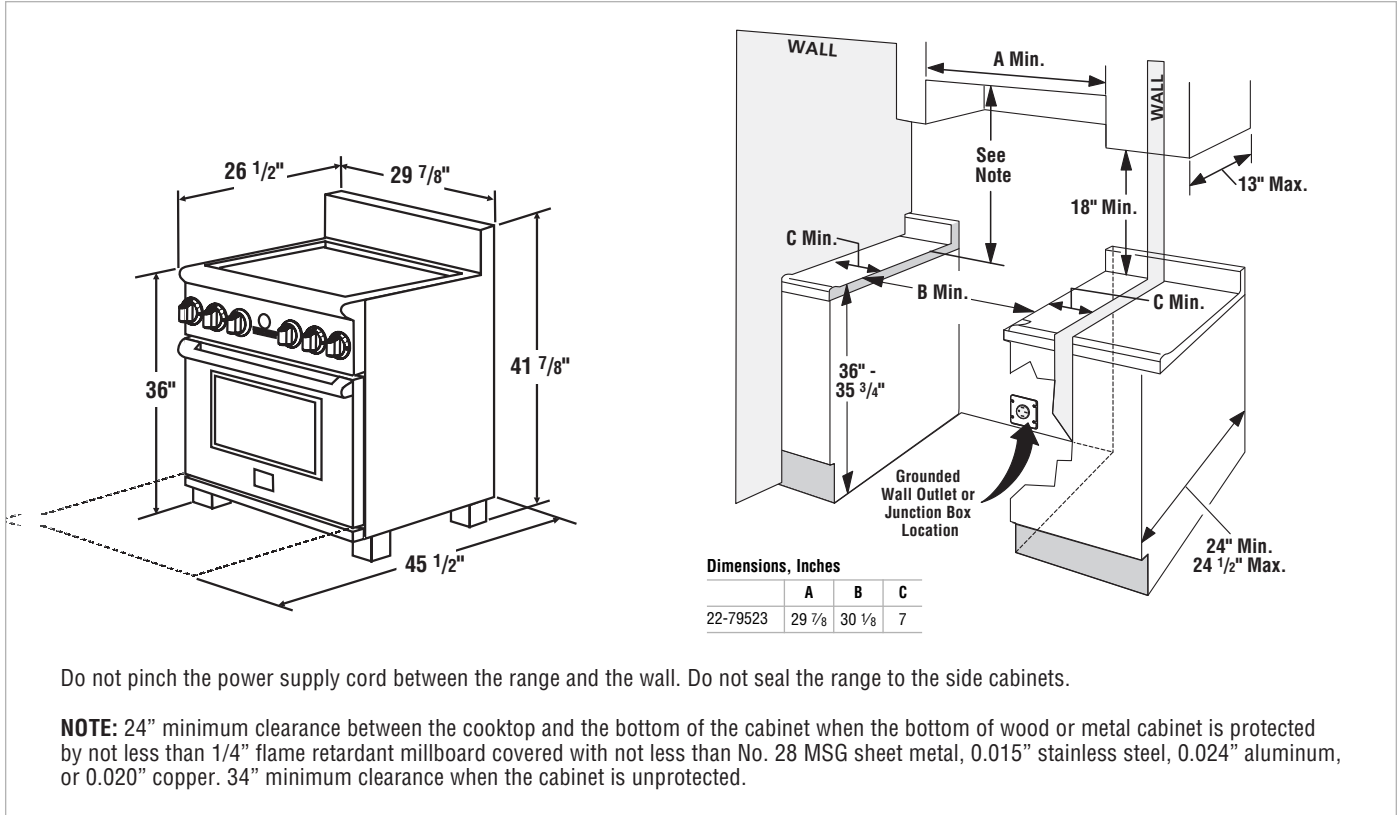
Selection	
Stainless	22-79523
Oven Features	
Cleaning System	Self-Clean with Advanced Analog Temp. Gauges
Electronic Oven Controls	Oven
Control Lockout	•
Cook & Hold Warm Oven	•
Sabbath Mode†	•
Convection Oven	Third Element, Variable Speed
Variable Broiling System	400°–550°
Total Adjustable Oven Racks	3
Integrated Handle Racks	3 Heavy-Duty
Searing Grill and Roasting Rack	•
Broiler Pan and Grill	•
Oven Lights	Dual Halogen
Removable Door	Stainless
Window	X-Large
Oven Interior WxHxD (In.)	24 1/8 x 16 1/2 x 18 1/32
Cooktop Features	
Sealed	
Power Bridge Burner (BTU)	1 @ 27,000
Power Burner (BTU)	1 @ 17,200
Simmer Burner (BTU)	1 @ 5,000
Griddle or Wok Accessory	Griddle
Grate Styling	Continuous, 5 Point Matte
Porcelain-Coated Cast-Iron Grates	•
Full Coverage Center Grate	•
Dishwasher-Safe Grates and Knobs	•
Cooktop Surface	Recessed Gas-Thru-Glass
Valves (Degree of Turn)	270
General Features	
Electronic Ignition	•
Convertible to LP*	Kit Included
Power Rating (kW) @ 240V / 208V	4.0 / 3.0
Bake / Broil @ 240V (Watts)	2,500 / 4,000
Breaker / Copper Wire Size (240V)	40 / 8
Shipping Weight (Approx. Lbs.)	290
Accessories	
Gas Connector Required – Stainless Steel; 60" Length, 1/2" I.D.	22-49694
Range Cord Required	•
Warranty	
1-Year Limited Warranty – Entire Appliance	Parts & Labor
2-5 Year Limited Warranty – Glass Cooktop, Cooktop Elements	Parts

If used for other than private family purposes, warranty applies for only 90 days.

*LP orifices included; conversion must be done by qualified LP installer

†Sabbath Mode overrides auto oven shutoff





KENMORE PRO RANGE ACCESSORIES (Optional)

Call Sears Parts at 1-866-732-7728.

	30-Inch 22-79523
12" Stainless Backguard	22-628-318353004
9" Stainless Backguard	22-628-318353003
Island Trim Kit	22-628-318353001
Stainless Kick Plate	22-628-318352600
Simmer Plate	22-628-318254206
Wok Ring	22-628-318254305
Spanish Control Knobs (Order Both)	22-628-318353212 22-628-318353213
French Control Knobs (Order Both)	22-628-318353210 22-628-318353211

22-49614, 22-49616

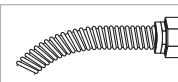
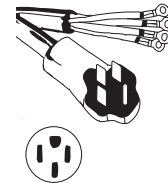


Range Cords for Dual-Fuel Ranges

Order	Wire	Length
22-49614	3	4 ft.
22-49616	3	6 ft.
22-49624*	4	4 ft.
22-49626*	4	6 ft.

*Complies with 1/1/96 NEC code revision for new construction and remodeling

22-49624, 22-49626



Gas Connector - Stainless Steel
22-49694 | 60" Length, 1/2" I.D.

