

KENWOOD

KDC-1028 KDC-128 KDC-128CR

CD-RECEIVER

INSTRUCTION MANUAL

AMPLI-TUNER LECTEUR DE CD

MODE D'EMPLOI

REPRODUCTOR DE DISCOS COMPACTOS RECEPTOR DE FM/AM

MANUAL DE INSTRUCCIONES

KENWOOD CORPORATION



**Take the time to read through this instruction manual.
Familiarity with installation and operation procedures will help you
obtain the best performance from your new CD-receiver.
For your records**

Record the serial number, found on the back of the unit, in the spaces designated on the warranty card, and in the space provided below. Refer to the model and serial numbers whenever you call upon your KENWOOD dealer for information or service on the product.

Model KDC-1028/128/128CR Serial number _____

Contents

▲Warning	4	Accessories/ Installation Procedure	18
Safety precautions	5	Connecting Wires to Terminals	19
Notes	6	Installation	20
About CDs	7	Removing the Unit	22
General features	8	Troubleshooting Guide	23
Power		Specifications	25
Selecting the Source			
Volume			
Attenuator			
System Q			
Audio Control			
Audio Setup			
Speaker Setting			
Clock Display			
Adjusting Clock			
Dimmer Control			
DSI (Disabled System Indicator)			
Theft Deterrent Faceplate			
TEL Mute			
Tuner features	12		
Tuning			
Tuning Mode			
Station Preset Memory			
Auto Memory Entry			
Preset Tuning			
CRSC (Clean Reception System Circuit)			
CD player features	14		
Playing CD			
Fast Forwarding and Reversing			
Track Search			
Track Repeat			
Scan Play			
Random Play			
Basic Operations of remote	16		
Loading and Replacing the battery			
Basic operations			
Audio Control			
In Tuner source			
In Disc source			

▲Warning

▲CAUTION

Use of controls or adjustments or performance of procedures other than those specified herein may result in hazardous radiation exposure. In compliance with Federal Regulations, following are reproductions of labels on, or inside the product relating to laser product safety.

KENWOOD CORPORATION
2967-3, ISHIKAWA-MACHI,
HACHIOJI-SHI
TOKYO, JAPAN

KENWOOD CORP. CERTIFIES THIS EQUIPMENT
CONFORMS TO DHHS REGULATIONS N0.21 CFR
1040. 10, CHAPTER 1, SUBCHAPTER J.

Location : Bottom Panel

FCC WARNING

This equipment may generate or use radio frequency energy. Changes or modifications to this equipment may cause harmful interference unless the modifications are expressly approved in the instruction manual. The user could lose the authority to operate this equipment if an unauthorized change or modification is made.

NOTE

This equipment has been tested and found to comply with the limits for a Class B digital device, pursuant to Part 15 of the FCC Rules. These limits are designed to provide reasonable protection against harmful interference in a residential installation. This equipment may cause harmful interference to radio communications, if it is not installed and used in accordance with the instructions. However, there is no guarantee that interference will not occur in a particular installation. If this equipment does cause harmful interference to radio or television reception, which can be determined by turning the equipment off and on, the user is encouraged to try to correct the interference by one or more of the following measures:

- Reorient or relocate the receiving antenna.
- Increase the separation between the equipment and receiver.
- Connect the equipment into an outlet on a circuit different from that to which the receiver is connected.
- Consult the dealer or an experienced radio/TV technician for help.

Safety precautions

▲WARNING

To prevent injury or fire, take the following precautions:

- To prevent a short circuit, never put or leave any metallic objects (such as coins or metal tools) inside the unit.

▲CAUTION

To prevent damage to the machine, take the following precautions:

- Make sure to ground the unit to a negative 12V DC power supply.
- Do not install the unit in a spot exposed to direct sunlight or excessive heat or humidity. Also avoid places with too much dust or the possibility of water splashing.
- Do not set the removed faceplate or the faceplate case in areas exposed to direct sunlight, excessive heat or humidity. Also avoid places with too much dust or the possibility of water splashing.
- To prevent deterioration, do not touch the terminals of the unit or faceplate with your fingers.
- Do not subject the faceplate to excessive shock, as it is a piece of precision equipment.
- When replacing a fuse, only use a new one with the prescribed rating. Using a fuse with the wrong rating may cause your unit to malfunction.
- Do not use your own screws. Use only the screws provided. If you use the wrong screws, you could damage the unit.

Attach the panel while you are on the vehicle

The panel lock arm will be appeared when the panel is removed. Therefore, the panel must be attached during the driving.

Do Not Load 3-in. CDs in the CD slot

If you try to load a 3 in. CD with its adapter into the unit, the adapter might separate from the CD and damage the unit.

Lens Fogging

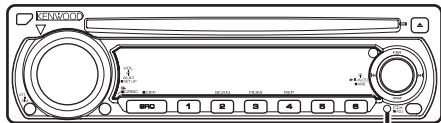
Right after you turn on the car heater in cold weather, dew or condensation may form on the lens in the CD player of the unit. Called lens fogging, CDs may be impossible to play. In such a situation, remove the disc and wait for the condensation to evaporate. If the unit still does not operate normally after a while, consult your Kenwood dealer.

NOTE

This Class B digital apparatus complies with Canadian ICES-003.

Notes

- If you experience problems during installation, consult your Kenwood dealer.
- If the unit fails to operate properly, press the Reset button. The unit returns to factory settings when the Reset button is pressed.



Reset button

- The illustrations of the display and the panel appearing in this manual are examples used to explain more clearly how the controls are used. Therefore, what appears on the display in the illustrations may differ from what appears on the display on the actual equipment, and some of the illustrations on the display may represent something impossible in actual operation.

Cleaning the Unit

If the faceplate of this unit is stained, wipe it with a dry soft cloth such as a silicon cloth.

If the faceplate is stained badly, wipe the stain off with a cloth moistened with neutral cleaner, then wipe neutral detergent off.



- Applying spray cleaner directly to the unit may affect its mechanical parts. Wiping the faceplate with a hard cloth or using a volatile liquid such as thinner or alcohol may scratch the surface or erase characters.

Cleaning the Faceplate Terminals

If the terminals on the unit or faceplate get dirty, wipe them with a dry, soft cloth.

About CDs

Handling CDs

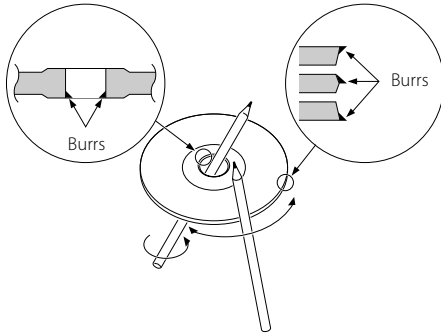
- Don't touch the recording surface of the CD.



- CD-R and CD-RW are easier to damage than a normal music CD. Use a CD-R or a CD-RW after reading the caution items on the package etc.
- Don't stick tape etc. on the CD. Also, don't use a CD with tape stuck on it.

When using a new CD

If the CD center hole or outside rim has burrs, use it after removing them with a ball pen etc.

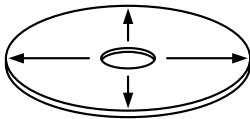


CD accessories

Don't use disc type accessories.

CD cleaning

Clean from the center of the disc and move outward.

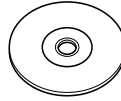


Removing CDs

When removing CDs from this unit pull them out horizontally.

CDs that can't be used

- CDs that aren't round can't be used.



- CDs with coloring on the recording surface or that are dirty can't be used.
- This unit can only play the CDs with



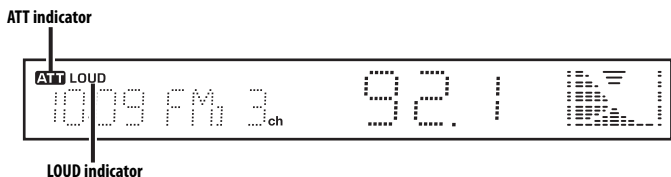
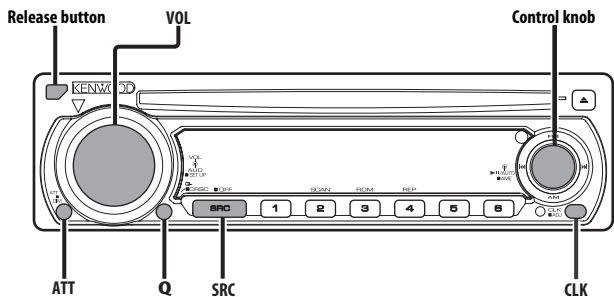
It may not correctly play discs which do not have the mark.

- A CD-R or CD-RW that hasn't been finalized can't be played. (For the finalization process refer to your CD-R/CD-RW writing software, and your CD-R/CD-RW recorder instruction manual.)

CD storage

- Don't place them in direct sunlight (On the seat or dashboard etc.) and where the temperature is high.
- Store CDs in their cases.

General features



Power

Turning ON the Power

Press the [SRC] button.

Turning OFF the Power

Press the [SRC] button for at least 1 second.

Selecting the Source

Press the [SRC] button.

Source required	Display
Tuner	"TUnE"
CD	"CD"
Standby (Illumination only mode)	"STBY"

Volume

Increasing Volume

Turn the [VOL] knob clockwise.

Decreasing Volume

Turn the [VOL] knob counterclockwise.

Attenuator

Turning the volume down quickly.

Press the [ATT] button.

Each time the button is pressed, the Attenuator turns ON and OFF.

When it's ON, the "ATT" indicator blinks.

System Q

You can recall the best sound setting preset for different types of music.

1 Select the source to set
Press the [SRC] button.

2 Select the Sound type
Press the [Q] button.

Each time the button is pressed, the sound setting switches.

Sound setting	Display
Natural	"FLAT"
Rock	"ROCK"
Pops	"POPS"
Easy	"EASY"
Top 40	"TP40"
Jazz	"JAZZ"



- "USER": The values set on the <Audio Control> (page 9). When the System Q setting is changed, the Bass, Middle, and Treble set in audio control replace the System Q values.
- Each setting value is changed with the <Speaker Setting> (page 10).
First, select the speaker type with the Speaker setting.

Audio Control

1 Select the source for adjustment
Press the [SRC] button.

2 Enter Audio Control mode
Press the [VOL] knob.

3 Select the Audio item for adjustment
Press the [VOL] knob.

Each time the knob is pressed, the items that can be adjusted switch as shown below.

4 Adjust the Audio item
Turn the [VOL] knob.

Adjustment Item	Display	Range
Bass level	"BAS"	-8 — +8
Middle level	"MID"	-8 — +8
Treble level	"TRE"	-8 — +8
Balance	"BL"	Left 15 — Right 15
Fader	"FD"	Rear 15 — Front 15

5 Exit Audio Control mode
Press any button.

Press the button which is not [VOL] knob and [ATT] button.

Audio Setup

Setting the Sound system, such as Volume offset and Loudness.

1 Select the source for adjustment
Press the [SRC] button.

2 Enter Audio Setup mode
Press the [VOL] knob for at least 1 second.

3 Select the Audio Setup item for adjustment
Press the [VOL] knob.

Each time the knob is pressed, the items that can be adjusted switch as shown below.

4 Adjust the Audio setup item
Turn the [VOL] knob.

Adjustment Item	Display	Range
Volume offset	"V-OFF"	-8 — ±0
Loudness	"LOUD"	ON/OFF



- Volume offset: Each source's volume can be set as a difference from the basic volume.
- Loudness: Compensating for low and high tones during low volume.
When it's ON, "LOUD" indicator is ON.

5 Exit Audio Setup mode
Press the [VOL] knob for at least 1 second.

General features

Speaker Setting

Fine-tuning so that the System Q value is optimal when setting the speaker type.

1 Enter Standby

Press the [SRC] button.

Select the "STBY" display.

2 Enter Speaker Setting mode

Press the [VOL] knob.

3 Select the Speaker type

Turn the [VOL] knob.

Each time the knob is turned, the setting switches as shown below.

Speaker type	Display
OFF	"SP-F"
For 5 & 4 in. speaker	"SP-5"
For 6 & 6x9 in. speaker	"SP-6"
For the OEM speaker	"SP-0"

4 Exit Speaker Setting mode

Press the [VOL] knob.

Clock Display

Press the [CLK] button.

Each time the button is pressed, the clock display turns ON and OFF.

Adjusting Clock

1 Enter Standby

Press the [SRC] button.

Select the "STBY" display.

2 Select the clock display

Press the [CLK] button.

3 Enter clock adjustment mode

Press the [CLK] button for at least 2 seconds.

The clock display blinks.

4 Adjust the hours

Push the Control knob to [FM] or [AM].

Adjust the minutes

Push the Control knob to [◀◀] or [▶▶].

5 Exit clock adjustment mode

Press the [CLK] button.

Dimmer Control

You can change the unit's display to dimmer.

Press the [ATT] button for at least 1 second.

Each time the button is pressed for 1 second, the Dimmer control turns ON and OFF.

When it's ON, "on DI" is displayed.

DSI (Disabled System Indicator)

A red indicator will blink on the unit after the faceplate is removed, warning potential thieves.

1 Turn the power OFF

Press the [SRC] button for at least 1 second.

2 Set the DSI

While pressing the [1] and [3] button, press the [SRC] button.

Release your fingers from the button after the display is appeared.

Each time the step 1 and 2 operations are done, the DSI turns ON and OFF.

Theft Deterrent Faceplate

The faceplate of the unit can be detached and taken with you, helping to deter theft.

Removing the Faceplate

Press the Release button.

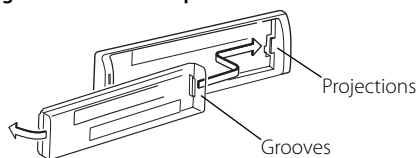
The faceplate is unlocked, allowing you to detach it.



- The faceplate is a precision piece of equipment and can be damaged by shocks or jolts. For that reason, keep the faceplate in its special storage case while detached.
- Do not expose the faceplate or its storage case to direct sunlight or excessive heat or humidity. Also avoid places with too much dust or the possibility of water splashing.

Reattaching the Faceplate

1 Align the projections on the unit with the grooves on the faceplate.



2 Push the faceplate in until it clicks.

The faceplate is locked in place, allowing you to use the unit.

TEL Mute

The audio system automatically mutes when a call comes in.

When a call comes in

"CALL" is displayed.

The audio system pauses.

Listening to the audio during a call

Press the [SRC] button.

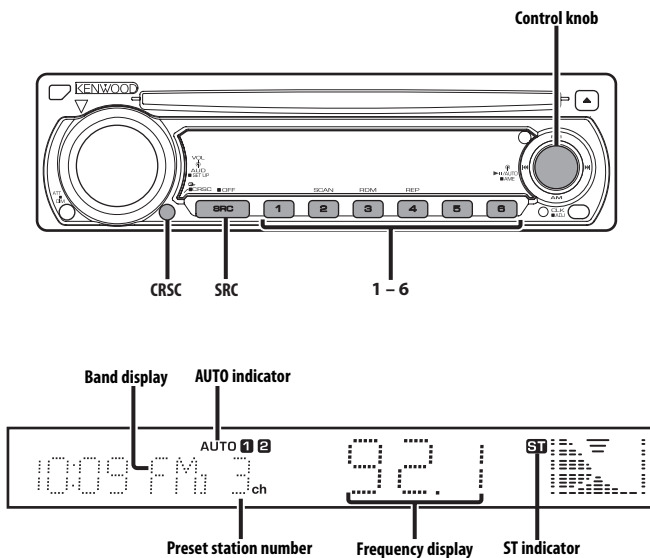
The "CALL" display disappears and the audio system comes back ON.

When the call ends

Hang up the phone.

The "CALL" display disappears and the audio system comes back ON.

Tuner features



Tuning

Selecting the station.

1 Select tuner source

Press the [SRC] button.

Select the "TUnE" display.

2 Select the band

Push the Control knob to [FM] or [AM].

Each time the knob is pushed to [FM], it switches between the FM1, FM2, and FM3 bands.

3 Tune up or down band

Push the Control knob to [◀◀] or [▶▶].



- During reception of stereo stations the "ST" indicator is ON.

Tuning Mode

Choose the tuning mode.

Press the control knob.

Each time the knob is pressed, the Tuning mode switches as shown below.

Tuning mode	Display	Operation
Auto seek	"AUTO 1" indicator	Automatic search for a station.
Preset station seek	"AUTO 2" indicator	Search in order of the stations in the Preset memory.
Manual	—	Normal manual tuning control.

Station Preset Memory

Putting the station in the memory.

1 Select the band

Push the Control knob to [FM] or [AM].

2 Select the frequency to put in the memory

Push the Control knob to [◀◀] or [▶▶].

3 Put the frequency in the memory

Press the desired [1] — [6] button for at least 2 seconds.

The preset number display blinks 1 time.

On each band, 1 station can be put in the

memory on each [1] — [6] button.

Auto Memory Entry

Putting stations with good reception in the memory automatically.

1 Select the band for Auto Memory Entry

Push the control knob to [FM] or [AM].

2 Open Auto Memory Entry

Press the Control knob for at least 2 seconds.

When 6 stations that can be received are put in the memory Auto Memory Entry closes.

Preset Tuning

Calling up the stations in the memory.

1 Select the band

Push the Control knob to [FM] or [AM].

2 Call up the station

Press the desired [1] — [6] button.

CRSC (Clean Reception System Circuit)

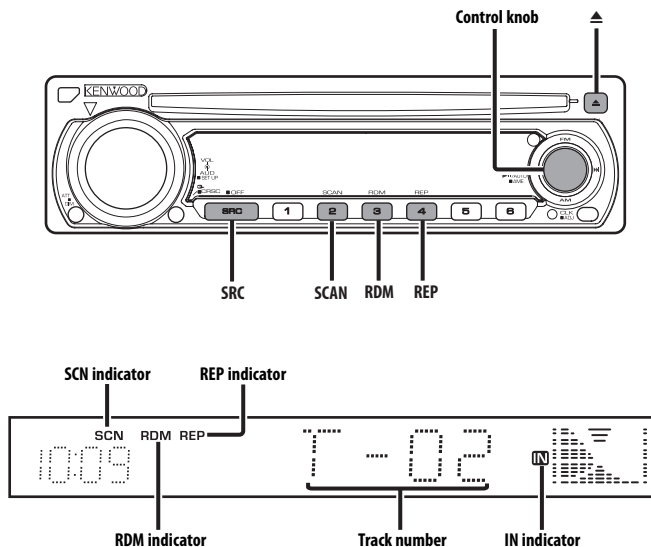
Temporarily have reception switched from stereo to mono to reduce multi-path noise when listening to the FM station.

Press the [CRSC] button for at least 1 second.

Each time the button is pressed, CRSC turns ON and OFF.

When it's ON, "on CRSC" is displayed.

CD player features



Playing CD

When a disc is inserted

Press the [SRC] button.

Select the "CD" display.



- When a CD is inserted, the "IN" indicator is ON.

Pause and play

Press the control knob.

Each time the knob is pressed, it pauses and plays.

Eject the CD

Press the [▲] button.

Fast Forwarding and Reversing

Fast Forwarding

Hold down on [▶▶] of the Control knob.

Release your finger to play the disc at that point.

Reversing

Hold down on [◀◀] of the Control knob.

Release your finger to play the disc at that point.

Track Search

Selecting the song you want to hear.

Push the Control knob to [◀◀] or [▶▶].

Track Repeat

Replaying the song you're listening to.

Press the [REP] button.

Each time the button is pressed, the Track Repeat turns ON and OFF.

When it's ON, the "REP" indicator is ON.

Scan Play

Playing the first part of each song on the disc you are listening to and searching for the song you want to listen to.

1 Start Scan Play

Press the [SCAN] button.

"SCN" indicator is ON.

2 Release it when the song you want to listen to is played

Press the [SCAN] button.

Random Play

Playing all the songs on the disc in random order.

Press the [RDM] button.

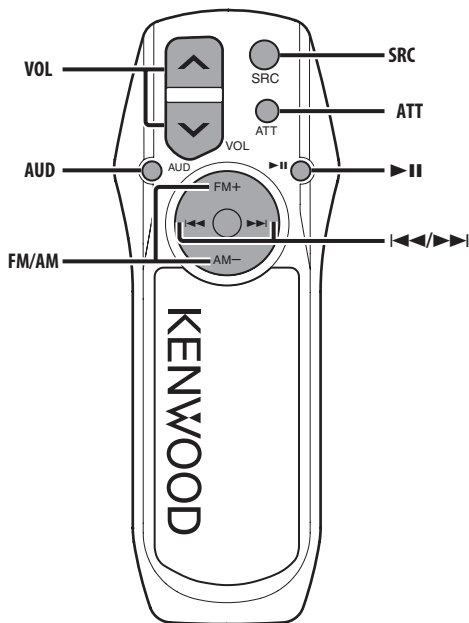
Each time the button is pressed, Random Play turns ON and OFF.

When it's ON, the "RDM" indicator is ON.



- When the Control knob is pushed to **▶▶|**, the next song select starts.

Basic Operations of remote

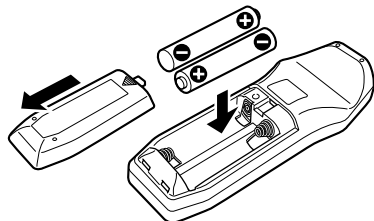


Loading and Replacing the battery

Use two "AA"-size batteries.

Slide the cover while pressing downwards to remove it as illustrated.

Insert the batteries with the + and - poles aligned properly, following the illustration inside the case.



⚠ WARNING

- Store unused batteries out of the reach of children.
- Contact a doctor immediately if the battery is accidentally swallowed.



- Do not set the remote on hot places such as above the dashboard.

Basic operations

[VOL] buttons

Adjusting the volume.

[SRC] button

Each time the button is pressed, the source switches.

For the source switching order refer to <Selecting the Source> (page 8).

[ATT] button

Turning the volume down quickly.

When it is pressed again, it returns to the previous level.

Audio Control

[AUD] button

Select the Audio item for adjustment.

[VOL] buttons

Adjust the Audio item.



- Refer to <Audio Control> (page 9) for the operation method, such as the procedures of Audio control and others.

In Tuner source

[FM]/ [AM] buttons

Select the band.

Each time the [FM] button is pressed, it switches between the FM1, FM2, and FM3 bands.

[◀◀]/ [▶▶] buttons

Tune up or down band.

In Disc source

[◀◀]/ [▶▶] buttons

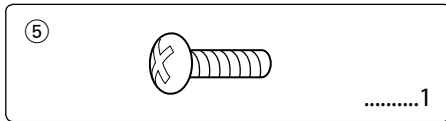
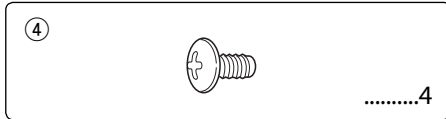
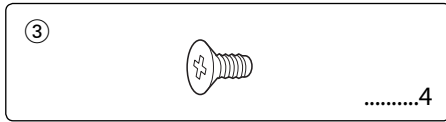
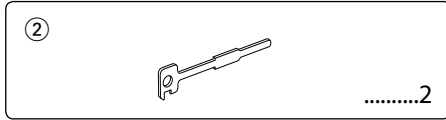
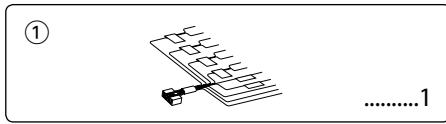
Doing track forward and backward.

[▶||] button

Each time the button is pressed, the song pauses and plays.

Accessories/ Installation Procedure

Accessories



Installation Procedure

1. To prevent a short circuit, remove the key from the ignition and disconnect the ⊖ battery.
2. Make the proper input and output wire connections for each unit.
3. Connect the speaker wires of the wiring harness.
4. Connect the wiring harness wires in the following order: ground, battery, ignition.
5. Connect the wiring harness connector to the unit.
6. Install the unit in your car.
7. Reconnect the ⊖ battery.
8. Press the reset button.

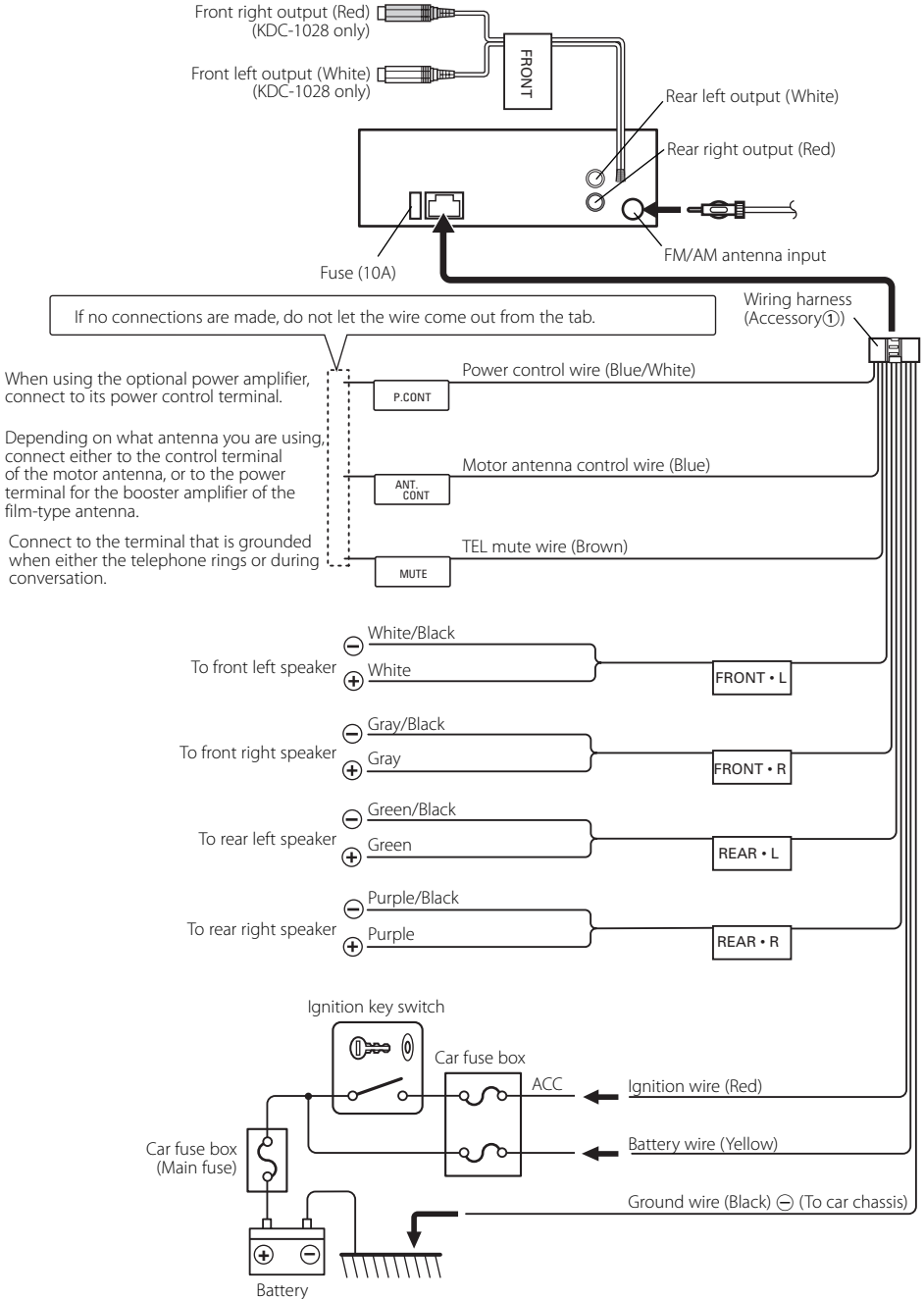
▲WARNING

If you connect the ignition wire (red) and the battery wire (yellow) to the car chassis (ground), you may cause a short circuit, that in turn may start a fire. Always connect those wires to the power source running through the fuse box.



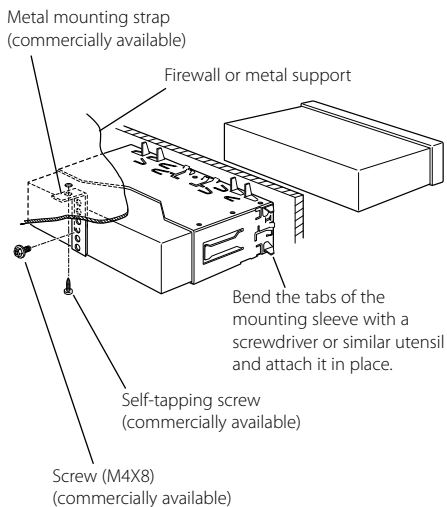
- If the power is not turned ON (or it is ON, but will be OFF immediately), the speaker wire may have a short-circuit or touched the chassis of the vehicle and the protection function may have been activated. Therefore, the speaker wire should be checked.
- If your car's ignition does not have an ACC position, connect the ignition wires to a power source that can be turned on and off with the ignition key. If you connect the ignition wire to a power source with a constant voltage supply, as with battery wires, the battery may die.
- If the console has a lid, make sure to install the unit so that the faceplate will not hit the lid when closing and opening.
- If the fuse blows, first make sure the wires aren't touching to cause a short circuit, then replace the old fuse with one with the same rating.
- Insulate unconnected wires with vinyl tape or other similar material. To prevent a short circuit, do not remove the caps on the ends of the unconnected wires or the terminals.
- Connect the speaker wires correctly to the terminals to which they correspond. The unit may be damaged or fail to work if you share the ⊖ wires or ground them to any metal part in the car.
- When only two speakers are being connected to the system, connect the connectors either to both the front output terminals or to both the rear output terminals (do not mix front and rear). For example, if you connect the ⊕ connector of the left speaker to a front output terminal, do not connect the ⊖ connector to a rear output terminal.
- After the unit is installed, check whether the brake lamps, blinkers, wipers, etc. on the car are working properly.
- Mount the unit so that the mounting angle is 30° or less.

Connecting Wires to Terminals



Installation

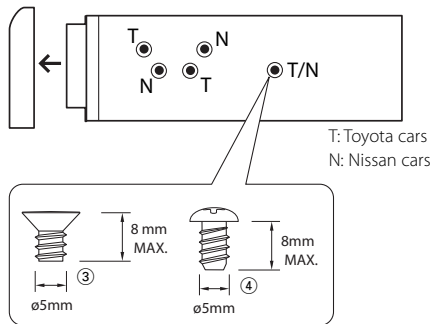
non-Japanese cars



- Make sure that the unit is installed securely in place. If the unit is unstable, it may malfunction (for example, the sound may skip).

Japanese cars

- 1 Refer to the section <Removing the hard rubber frame> (page 22) and then remove the hard rubber frame.
- 2 Align the holes in the unit (two locations on each side) with the vehicle mounting bracket and secure the unit with the accessory screws.



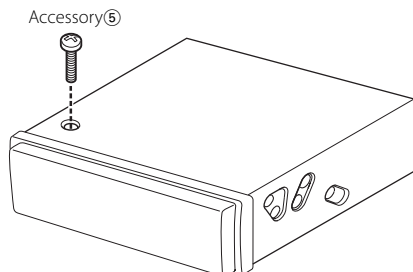
Accessory ③...for Nissan car
Accessory ④...for Toyota car



- During installation, do not use any screws except for those provided. The use of different screws might result in damage to the main unit.
- Damage may occur if a screwdriver or similar tool is used with excessive force during the installations.

Screwing the Faceplate on the Unit

If you want to fasten the faceplate to the main unit so that it does not fall off, screw in the provided screws in the holes shown below.

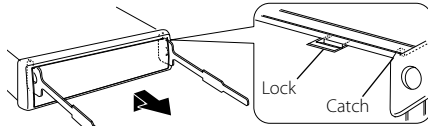


- Never insert the screw in any other screw hole than the one specified. If you screw them in another hole, it will contact and may cause damage to the mechanical parts inside the unit.

Removing the Unit

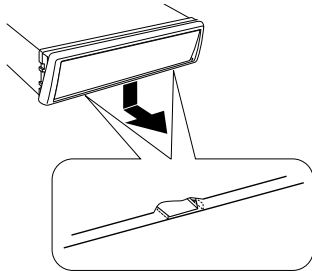
Removing the hard rubber frame

- 1 Engage the catch pins on the removal tool and remove the two locks on the upper level. Upper the frame and pull it forward as shown in the figure.



Accessory②
Removal tool

- 2 When the upper level is removed, remove the lower two locations.

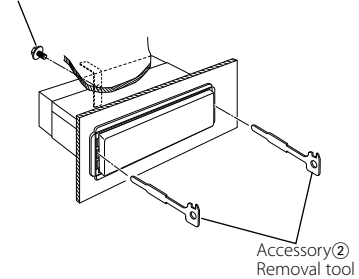


- The frame can be removed from the bottom side in the same manner.

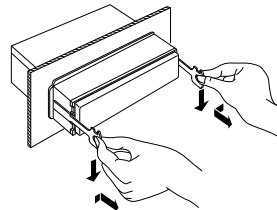
Removing the Unit

- 1 Refer to the section <Removing the hard rubber frame> (page 22) and then remove the hard rubber frame.
- 2 Remove the screw (M4 × 8) on the back panel.
- 3 Insert the two removal tools deeply into the slots on each side, as shown.

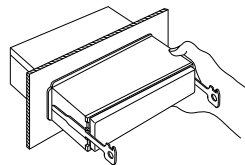
Screw (M4X8)
(commercially available)



- 4 Lower the removal tool toward the bottom, and pull out the unit halfway while pressing towards the inside.



- Be careful to avoid injury from the catch pins on the removal tool.
- 5 Pull the unit all the way out with your hands, being careful not to drop it.



Troubleshooting Guide

What might seem to be a malfunction in your unit may just be the result of slight misoperation or miswiring. Before calling service, first check the following table for possible problems.

General

? The power does not turn ON.

- ✓ The fuse has blown.
 - ☞ After checking for short circuits in the wires, replace the fuse with one with the same rating.
 - ✓ The speaker wire has a short-circuit or touches the chassis of the vehicle, and then the protection function is activated.
 - ☞ Wire or insulate the speaker cable properly and press the reset button.
-

? There's a source you can't switch.

- ✓ There's no media inserted.
 - ☞ Set the media you want to listen to. If there's no media in this unit, you can't switch to each source.
-

? The memory is erased when the ignition is turned OFF.

- ✓ The ignition and battery wire are incorrectly connected.
 - ☞ Connect the wire correctly, referring to the section on <Connecting Wires to Terminals>.
-

? The TEL mute function does not work.

- ✓ The TEL mute wire is not connected properly.
 - ☞ Connect the wire correctly, referring to the section on <Connecting Wires to Terminals>.
-

? The TEL mute function turns ON even though the TEL mute wire is not connected.

- ✓ The TEL mute wire is touching a metal part of the car.
 - ☞ Pull the TEL mute wire away from the metal part of the car.
-

? Even if Loudness is turned ON, high-pitched tone isn't compensated for.

- ✓ Tuner source is selected.
 - ☞ High-pitched tone isn't compensated for when in Tuner source.
-

? No sound can be heard, or the volume is low.

- ✓ The fader or balance settings are set all the way to one side.
 - ☞ Center the fader and balance settings.
 - ✓ The input/output wires or wiring harness are connected incorrectly.
 - ☞ Reconnect the input/output wires or the wiring harness correctly. See the section on <Connecting Wires to Terminals>.
 - ✓ The values of Volume offset are low.
 - ☞ Turn up the Volume offset, referring to the section on <Audio Setup> (page 9).
-

? The sound quality is poor or distorted.

- ✓ One of the speaker wires is being pinched by a screw in the car.
 - ☞ Check the speaker wiring.
 - ✓ The speakers are not wired correctly.
 - ☞ Reconnect the speaker wires so that each output terminal is connected to a different speaker.
-

Tuner source

? Radio reception is poor.

- ✓ The car antenna is not extended.
 - ☞ Pull the antenna out all the way.
 - ✓ The antenna control wire is not connected.
 - ☞ Connect the wire correctly, referring to the section on <Connecting Wires to Terminals>.
-

Disc source

? The specified disc does not play, but another one plays instead.

- ✓ The specified CD is quite dirty.
E38 Clean the CD.

- ✓ The disc is loaded in a different slot from that specified.
E38 Eject the disc magazine and check the number for the specified disc.

- ✓ The disc is severely scratched.
E38 Try another disc instead.

? A CD ejects as soon as it is loaded.

- ✓ The CD is quite dirty.
E38 Clean the CD, referring to the CD cleaning of the section on <About CDs> (page 7).

? Can't remove disc.

- ✓ The cause is that more than 10 minutes has elapsed since the vehicle ACC switch was turned OFF.
E38 The disc can only be removed within 10 minutes of the ACC switch being turned OFF. If more than 10 minutes has elapsed, turn the ACC switch ON again and press the Eject button.

? The disc won't insert.

- ✓ There's already another disc inserted.
E38 Press the [▲] button and remove the disc.

? Direct Search can't be done.

- ✓ Another function is ON.
E38 Turn Random Play or other functions OFF.

? Track Search can't be done.

- ✓ For the discs/folders first or last song.
E38 For each disc/folder, Track Search can't be done in the backward direction for the first song or in the forward direction for the last song.

The messages shown below display your systems condition.

- E-04: The CD is quite dirty. The CD is upside-down. The CD is scratched a lot.
⇨ Clean the CD and load it correctly.
- E-99: The unit is malfunctioning for some reason.
⇨ Press the reset button on the unit. If the "E-99" code does not disappear, consult your nearest service center.
- IN (Blink): The CD player section is not operating properly.
⇨ Reinsert the CD. If the CD cannot be ejected or the display continues to flash even when the CD has been properly reinserted, please switch off the power and consult your nearest service center.

Specifications

Specifications subject to change without notice.

FM tuner section

- Frequency range (200 kHz space)
 - : 87.9 MHz – 107.9 MHz
- Usable sensitivity (S/N = 30dB)
 - : 9.3dBf (0.8 μ V/75 Ω)
- Quieting Sensitivity (S/N = 50dB)
 - : 15.2dBf (1.6 μ V/75 Ω)
- Frequency response (\pm 3.0 dB)
 - : 30 Hz – 15 kHz
- Signal to Noise ratio (MONO)
 - : 70 dB
- Selectivity (\pm 400 kHz)
 - : \geq 80 dB
- Stereo separation (1 kHz)
 - : 40 dB

AM tuner section

- Frequency range (10 kHz space)
 - : 530 kHz – 1700 kHz
- Usable sensitivity (S/N = 20dB)
 - : 28 dB μ (25 μ V)

CD player section

- Laser diode
 - : GaAlAs
- Digital filter (D/A)
 - : 8 Times Over Sampling
- D/A Converter
 - : 1 Bit
- Spindle speed
 - : 500 – 200 rpm (CLV)
- Wow & Flutter
 - : Below Measurable Limit
- Frequency response (\pm 1 dB)
 - : 10 Hz – 20 kHz
- Total harmonic distortion (1 kHz)
 - : 0.01 %
- Signal to Noise ratio (1 kHz)
 - : 93 dB
- Dynamic range
 - : 93 dB
- Channel separation
 - : 85 dB

Audio section

- Maximum output power
 - KDC-1028: 50 W x 4
 - KDC-128/128CR: 45 W x 4
- Full Bandwidth Power (at less than 1% THD)
 - : 22 W x 4
- Tone action
 - Bass : 100 Hz \pm 10 dB
 - Middle : 1 kHz \pm 10 dB
 - Treble : 10 kHz \pm 10 dB
- Preout level / Load (during disc play)
 - : 2000 mV/10 k Ω
- Preout impedance
 - : \leq 600 Ω

General

- Operating voltage (11 – 16V allowable)
 - : 14.4 V
- Current consumption
 - : 10 A
- Installation Size (W x H x D)
 - : 182 x 53 x 155 mm
 - 7-3/16 x 2-1/16 x 6-1/10 inch
- Weight
 - : 3.1 lbs (1.4 kg)

Table des matières

Précautions de sécurité	27	Accessoires/ Procédure d'installation	40
Remarques	28	Connexion des câbles sur les prises	41
Au sujet des CD	29	Installation	42
Caractéristiques générales	30	Retrait de l'appareil	44
Alimentation		Guide de dépannage	45
Sélectionner la source		Spécifications	47
Volume			
Atténuateur			
System Q			
Commande du son			
Configuration audio			
Réglage des enceintes			
Affichage de l'horloge			
Régler l'horloge			
Commande gradateur			
DSI (Disabled System Indicator)			
Façade antiviol			
Sourdine TEL			
Fonctions du tuner	34		
Accord			
Mode d'accord			
Mémoire de station pré-réglée			
Entrée en mémoire automatique			
Accord pré-réglé			
CRSC (Clean Reception System Circuit - Circuit de réception nette)			
Caractéristiques du lecteur CD	36		
Lire des CD			
Avance rapide et retour			
Recherche de plages			
Répétition de plage			
Lecture par balayage			
Lecture aléatoire			
Opérations de base de la télécommande	38		
Recharger et remplacer la pile			
Opérations de base			
Commande du son			
En source tuner			
En source disque			

Précautions de sécurité

▲AVERTISSEMENT

Pour éviter toute blessure et/ou incendie, veuillez prendre les précautions suivantes:

- Pour éviter les court-circuits, ne jamais mettre ou laisser d'objets métalliques (comme une pièce de monnaie ou un outil en métal) à l'intérieur de l'appareil.

▲ATTENTION

Pour éviter tout dommage à l'appareil, veuillez prendre les précautions suivantes:

- Assurez-vous de mettre l'appareil à la masse sur une alimentation négative de 12V CC.
- N'installez pas l'appareil dans un endroit exposé directement à la lumière du soleil, à une chaleur excessive ou à l'humidité. Évitez aussi les endroits trop poussiéreux et où l'appareil risque d'être éclaboussé.
- Ne placez pas la façade amovible ou le boîtier de la façade dans un endroit exposé directement à la lumière du soleil, à une chaleur excessive ou à l'humidité. Évitez aussi les endroits trop poussiéreux et où la façade risque d'être éclaboussée.
- Pour éviter toute détérioration, ne touchez pas les contacts de l'appareil ou de la façade avec les doigts.
- Ne faites pas subir de chocs excessifs à la façade car elle fait partie d'un équipement de précision.
- Lors du remplacement d'un fusible, utilisez seulement un fusible neuf avec la valeur indiquée. L'utilisation d'un fusible d'une valeur différente peut être la cause d'un mauvais fonctionnement de votre appareil.
- Pendant l'installation, n'utilisez aucunes autres vis que celles fournies. L'utilisation de vis incorrectes pourrait endommager l'appareil.

Attachez le panneau quand vous vous trouvez dans le véhicule

Puisqu'une tige de verrouillage fait saillie quand la façade est enlevée, il faut rattacher le panneau avant de conduire.

Ne chargez pas de CD de 8 cm (3 pouces) dans la fenêtre à CD

Si vous essayez de charger un CD de 8 cm avec son adaptateur dans l'appareil, l'adaptateur peut se séparer du CD et endommager l'appareil.

Condensation sur la lentille

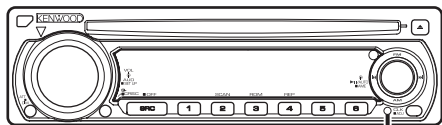
Juste après avoir mis le chauffage de la voiture par temps froid, de l'humidité risque de se former sur la lentille à l'intérieur du lecteur CD (voile). La reproduction de CD peut être impossible. Dans ce cas, retirez le disque et attendez que l'humidité s'évapore. Si l'appareil ne fonctionne toujours pas normalement après quelques temps, consultez votre revendeur Kenwood.

REMARQUE

Cet appareil numérique de la classe B est conforme à la norme NMB-003 du Canada.

Remarques

- Si vous rencontrez des problèmes pendant l'installation, consultez votre revendeur Kenwood.
- Si l'appareil ne fonctionne pas correctement, appuyez sur la touche de réinitialisation. L'appareil retourne aux réglages de l'usine quand la touche de réinitialisation est pressée.



Touche de réinitialisation

- Les illustrations de l'affichage et du panneau apparaissant dans ce manuel sont des exemples utilisés pour expliquer avec plus de clarté comment les commandes sont utilisées. Il est donc possible que les illustrations d'affichage puissent être différentes de ce qui réellement affiché sur l'appareil et aussi que certaines illustrations représentent des choses impossibles à réaliser en cours de fonctionnement.

Nettoyage de l'appareil

Si le panneau avant de cet appareil est taché, essuyez-le avec un chiffon sec et doux comme ceux au silicone. Si le panneau avant est très taché, essuyez-le avec un chiffon imbibé d'un produit de nettoyage neutre et ensuite essuyez toute trace de ce produit.



- La pulvérisation directe de produit de nettoyage sur l'appareil risque d'affecter les pièces mécaniques. L'utilisation d'un chiffon rugueux ou d'un liquide volatil tel que solvant ou alcool pour essuyer le panneau avant peut rayer la surface ou effacer des caractères.

Nettoyage des contacts de la façade

Si les contacts de l'appareil ou de la façade deviennent sales, essuyez-les avec un tissu sec et doux.

Au sujet des CD

Manipulation des CD

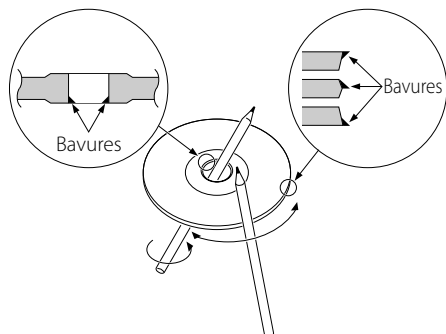
- Ne pas toucher la surface d'enregistrement d'un CD.



- Les CD-R et CD-RW sont plus fragiles que les CD de musique normaux. Utilisez un CD-R ou un CD-RW après avoir lu les mises en garde sur l'emballage, etc.
- Ne pas coller de ruban adhésif et autre sur les CD. Ne pas non plus utiliser de CD avec du ruban collé dessus.

Lors de l'utilisation d'un nouveau CD

Si le trou central ou le bord extérieur du CD comporte des bavures, ne l'utiliser qu'après les avoir retiré avec un stylo à bille ou autre.

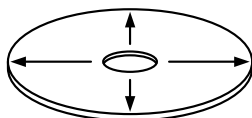


Accessoires de CD

Ne pas utiliser d'accessoires de type disque CD.

Nettoyage de CD

Nettoyez un CD en partant du centre vers l'extérieur.

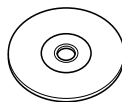


Retrait des CD

Pour retirer les CD de cet appareil, les extraire à l'horizontale.

CD qui ne peuvent être utilisés

- Les CD non circulaire ne peuvent être utilisés.



- Les CD comportant des colorations sur la surface d'enregistrement ou sales ne peuvent être utilisés.
- Cet appareil ne peut lire que les CD comportant



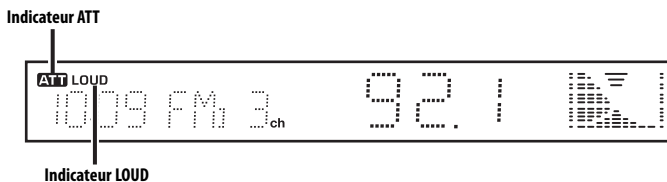
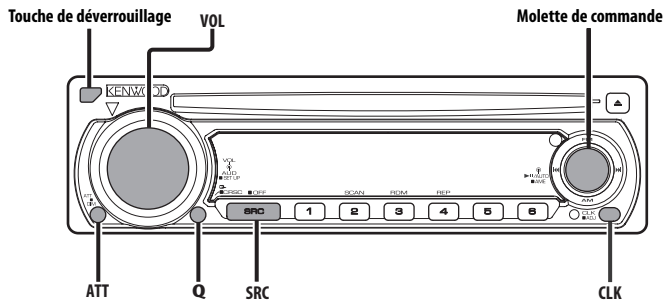
Il ne peut jouer les disques qui ne comportent pas la marque.

- Un CD-R ou CD-RW qui n'a pas été finalisé ne peut être lu. (pour le procédé de finalisation, veuillez consulter votre programme de gravure de CD-R/CD-RW et les instructions du manuel d'utilisation de votre graveur de CD-R/CD-RW).

Rangement des CD

- Ne pas les placer à la lumière solaire directe (sur le siège ou tableau de bord, etc.) et dans les endroits où la température est élevée.
- Rangez les CD dans leur boîtier.

Caractéristiques générales



Alimentation

Allumer l'alimentation

Appuyez sur la touche [SRC].

Eteindre l'alimentation

Appuyez sur la touche [SRC] pendant au moins 1 seconde.

Sélectionner la source

Appuyez sur la touche [SRC].

Source requise	Affichage
Tuner	"TUnE"
CD	"CD"
Veille (Mode éclairage seulement)	"STBY"

Volume

Augmenter le volume

Tournez le bouton [VOL] dans le sens des aiguilles d'une montre.

Baisser le volume

Tournez le bouton [VOL] dans le sens inverse des aiguilles d'une montre.

Atténuateur

Baisser le volume rapidement.

Appuyez sur la touche [ATT].

Chaque fois que l'on appuie sur cette touche, l'atténuateur est mis en/hors service.

Lorsqu'il est activé, l'indicateur "ATT" clignote.

System Q

Vous pouvez rappeler le meilleur réglage de son pré-réglé pour différents types de musique.

1 Sélectionnez la source à régler

Appuyez sur la touche [SRC].

2 Sélectionnez le type de son

Appuyez sur la touche [Q].

Chaque fois que l'on appuie sur la touche, le réglage du son change.

Réglage du son	Affichage
Naturel	"FLAT"
Rock	"ROCK"
Pops (Musique pop)	"POPS"
Easy (Ambiance)	"EASY"
Top 40	"TP40"
Jazz	"JAZZ"



- "USER": Les valeurs réglées sur la <Commande du son> (page 31). Lorsque le réglage du System Q est changé, les Graves, Fréquences moyennes et Aigus configurés dans la commande du son remplacent les valeurs du System Q.
- Chaque valeur de réglage est changée avec le <Réglage des enceintes> (page 32). D'abord, sélectionnez le type d'enceinte avec le Réglage des enceintes.

Commande du son

1 Sélectionnez la source pour l'ajustement

Appuyez sur la touche [SRC].

2 Entrez en mode de commande du son

Appuyez sur la molette [VOL].

3 Sélectionnez l'élément audio pour l'ajustement

Appuyez sur la molette [VOL].

Chaque fois que vous appuyez sur la molette, les éléments pouvant être réglés changent dans la séquence ci-dessous.

4 Ajustez l'élément audio

Tournez la molette [VOL].

Élément d'ajustement	Affichage	Gamme
Niveau des graves	"BAS"	-8 — +8
Niveau des fréquences moyennes	"MID"	-8 — +8
Niveau des aigus	"TRE"	-8 — +8
Balance	"BL"	Gauche 15 — Droite 15
Balance avant/arrière	"FD"	Arrière 15 — Avant 15

5 Sortez du mode de commande du son

Appuyez sur n'importe quelle touche.

Appuyez sur la touche qui ne correspond pas à la molette [VOL] ni à la touche [ATT].

Caractéristiques générales

Configuration audio

Réglage de l'acoustique, comme la compensation du volume et le contour.

- Sélectionnez la source pour l'ajustement**
Appuyez sur la touche [SRC].
- Entrez dans le mode de configuration audio**
Appuyez sur la molette [VOL] pendant au moins 1 seconde.
- Sélectionnez l'élément de configuration audio à ajuster**
Appuyez sur la molette [VOL].
Chaque fois que vous appuyez sur la molette, les éléments pouvant être réglés changent dans la séquence ci-dessous.
- Réglez l'élément de configuration audio**
Tournez la molette [VOL].

Élément d'ajustement	Affichage	Gamme
Compensation du volume	"V-Of"	-8 — ±0
Bruit	"LOUD"	Activé/Désactivé



- Compensation du volume:
Le volume de chaque source peut être réglé différemment du volume de base.
- Bruit: Compenser les graves et les aigus lorsque le volume est bas.
Lorsqu'il est activé, l'indicateur "LOUD" est allumé.

- Sortez du mode de configuration audio**
Appuyez sur la molette [VOL] pendant au moins 1 seconde.

Réglage des enceintes

Accord fin pour que la valeur du System Q soit optimale en réglant le type d'enceinte.

- Entrez en Veille**
Appuyez sur la touche [SRC].
Sélectionnez l'affichage "STBY".
- Entrez en mode de réglage des enceintes**
Appuyez sur la molette [VOL].
- Sélectionnez le type d'enceinte**
Tournez la molette [VOL].

A chaque fois que la molette est tournée, le réglage change comme indiqué ci-dessous.

Type d'enceinte	Affichage
ETEINT	"SP-F"
Pour enceinte 5 & 4 pouces	"SP-5"
Pour enceinte 6 & 6x9 pouces	"SP-6"
Pour enceinte OEM	"SP-0"

- Sortez du mode de réglage des enceintes**
Appuyez sur la molette [VOL].

Affichage de l'horloge

Appuyez sur la touche [CLK].

Chaque fois que l'on appuie sur cette touche, l'affichage de l'horloge est mis en/hors service.

Régler l'horloge

- Passer en mode de veille**
Appuyez sur la touche [SRC].
Sélectionnez l'affichage "STBY".
- Sélectionnez l'affichage de l'horloge**
Appuyez sur la touche [CLK].
- Entrez en mode d'ajustement de l'horloge**
Appuyez sur la touche [CLK] pendant au moins 2 secondes.
L'affichage de l'horloge clignote.
- Réglez les heures**
Poussez la molette de commande sur [FM] ou [AM].
Réglez les minutes
Poussez la molette de commande sur [◀◀] ou [▶▶].
- Sortez du mode d'ajustement de l'horloge**
Appuyez sur la touche [CLK].

Commande gradateur

Vous pouvez réduire la luminosité de l'affichage de l'appareil.

Appuyez sur la touche [ATT] pendant au moins 1 seconde.

Chaque fois qu'on appuie 1 seconde sur la touche, la commande gradateur est mise en/hors service.

Lorsqu'il est activé, "on DI" est affiché.

DSI (Disabled System Indicator)

Un indicateur rouge clignotera sur l'appareil après que la façade aura été enlevée, pour mettre en garde les éventuels voleurs.

1 Coupez l'alimentation

Appuyez sur la touche [SRC] pendant au moins 1 seconde.

2 Réglez le DSI

Tout en appuyant sur la touche [1] et [3], appuyez sur la touche [SRC].

Retirez votre doigt du bouton une fois que l'affichage apparaît.

A chaque fois que les étapes 1 et 2 sont réalisées, le DSI est activé et désactivé.

Façade antivol

Vous pouvez détacher la façade de l'appareil et l'emporter avec vous, ce qui permet d'éviter les vols.

Retirer la façade

Appuyez sur la touche de détachement.

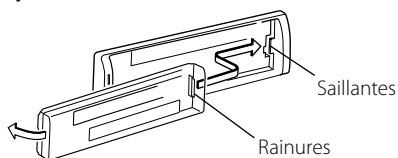
La façade est déverrouillée et vous pouvez la détacher.



- La façade est une pièce de précision de l'équipement et elle peut être endommagée en cas de chocs ou de secousses. C'est pourquoi, vous devez garder la façade dans sa boîte spéciale lorsqu'elle est détachée.
- N'exposez pas la façade ou sa boîte aux rayons du soleil, à des températures excessives ou à l'humidité. Évitez aussi les endroits trop poussiéreux et où l'appareil risque d'être éclaboussé.

Remettre en place la façade

1 Aligned les parties saillantes situées sur l'appareil avec les rainures situées sur la façade.



2 Poussez la façade jusqu'au clic.

La façade est verrouillée en position et vous pouvez alors utiliser l'appareil.

Sourdine TEL

Le son est automatiquement coupé lorsqu'un appel est reçu.

Lorsqu'un appel est reçu

"CALL" est affiché.

Le système audio se met en pause.

Ecouter l'autoradio pendant un appel

Appuyez sur la touche [SRC].

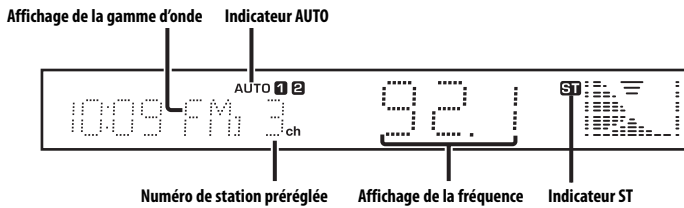
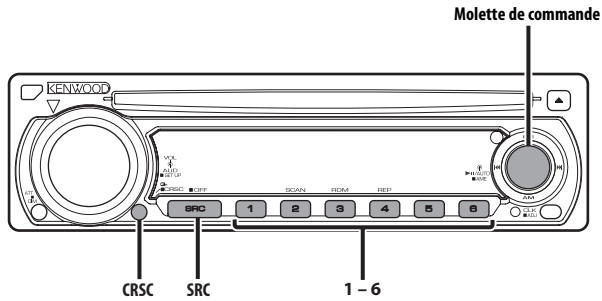
L'affichage "CALL" disparaît et le système audio se remet en marche.

A la fin de l'appel

Raccrochez le téléphone.

L'affichage "CALL" disparaît et le système audio se remet en marche.

Fonctions du tuner



Accord

Sélectionner la station.

1 Sélectionnez la source tuner

Appuyez sur la touche [SRC].

Sélectionnez l'affichage "TUNE".

2 Sélectionnez la bande

Poussez la molette de commande sur [FM] ou [AM].

A chaque fois qu'on place la molette sur [FM], une commutation s'opère entre les bandes FM1, FM2, et FM3.

3 Réglez une bande supérieure ou inférieure

Poussez la molette de commande sur [◀◀] ou [▶▶].



- Pendant la réception de stations stéréo, l'indicateur "ST" est allumé.

Mode d'accord

Choisissez le mode d'accord.

Appuyez sur la molette de commande.

A chaque fois qu'on appuie sur la molette de commande, le mode de syntonisation change comme montré ci-dessous.

Mode d'accord	Affichage	Opération
Recherche automatique	Indicateur "AUTO 1"	Recherche automatique d'une station.
Recherche de station pré-réglée	Indicateur "AUTO 2"	Recherche dans l'ordre des stations présentes dans la mémoire de pré-réglage.
Manuel	—	Contrôle de l'accord manuel normal.

Mémoire de station pré-réglée

Mettre la station en mémoire.

1 Sélectionnez la bande

Poussez la molette de commande sur [FM] ou [AM].

2 Sélectionnez la fréquence à mettre en mémoire

Poussez la molette de commande sur [◀◀] ou [▶▶].

3 Mettez en mémoire la fréquence

Appuyez sur la touche souhaitée [1] — [6] pendant au moins 2 secondes.

Le numéro pré-réglé affiché clignote 1 fois.

Sur chaque bande, 1 station peut être mise en mémoire sur chaque touche [1] — [6].

Entrée en mémoire automatique

Mettre automatiquement en mémoire les stations dont la réception est bonne.

1 Sélectionnez la bande pour l'entrée en mémoire automatique

Poussez la molette de commande sur [FM] ou [AM].

2 Ouvrez le mode entrée en mémoire automatique

Appuyer sur la touche de commande pendant au moins 2 secondes.

Lorsque 6 stations qui peuvent être captées sont mises en mémoire, le mode entrée en mémoire automatique est fermé.

Accord pré-réglé

Rappeler les stations mises en mémoire.

1 Sélectionnez la bande

Poussez la molette de commande sur [FM] ou [AM].

2 Rappelez la station

Appuyez sur la touche souhaitée [1] — [6].

CRSC (Clean Reception System Circuit - Circuit de réception nette)

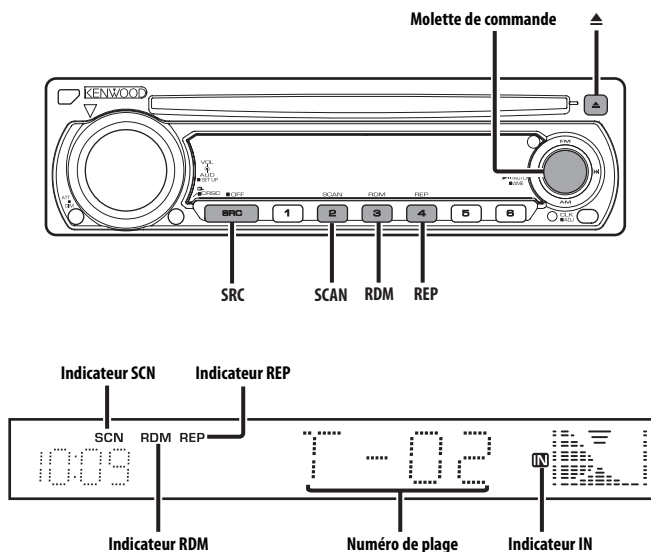
Faites passer temporairement la réception du mode stéréo au mode mono afin de réduire les parasites lorsque vous écoutez une station FM.

Appuyez sur la touche [CRSC] pendant au moins 1 seconde.

A chaque fois qu'on appuie sur la touche, CRSC est activé puis désactivé.

Lorsqu'il est activé, "on CRSC" est affiché.

Caractéristiques du lecteur CD



Lire des CD

Lorsqu'il y a un CD

Appuyez sur la touche [SRC].

Sélectionnez l'affichage "CD".



- Lorsqu'un CD est présent dans l'appareil, l'indicateur "IN" est allumé.

Pause et lecture

Appuyez sur la molette de commande.

A chaque fois qu'on appuie sur la molette, une pause puis une lecture est effectuée.

Ejectez le CD

Appuyez sur la touche [▲].

Avance rapide et retour

Avance rapide

Maintenez appuyée la molette de commande sur [▶▶].

Relâchez la touche pour reproduire le disque à partir de ce point.

Retour

Maintenez appuyée la molette de commande sur [◀◀].

Relâchez la touche pour reproduire le disque à partir de ce point.

Recherche de plages

Sélectionner la chanson que vous souhaitez entendre.

Poussez la molette de commande sur [◀◀] ou [▶▶].

Répétition de plage

Réécouter la chanson que vous êtes en train d'écouter.

Appuyez sur la touche [REP].

A chaque fois qu'on appuie sur la touche, la répétition de plage est activée puis désactivée. Lorsque la fonction est activée, l'indicateur "REP" est allumé.

Lecture par balayage

Ecouter le début de chaque chanson du disque que vous écoutez et rechercher la chanson que vous souhaitez écouter.

1 Lancement de la lecture par balayage

Appuyez sur la touche [SCAN].

Le voyant "SCN" est allumé.

2 Relâchez la touche lorsque vous entendez la chanson que vous souhaitez écouter

Appuyez sur la touche [SCAN].

Lecture aléatoire

Ecouter toutes les chansons du disque dans un ordre aléatoire.

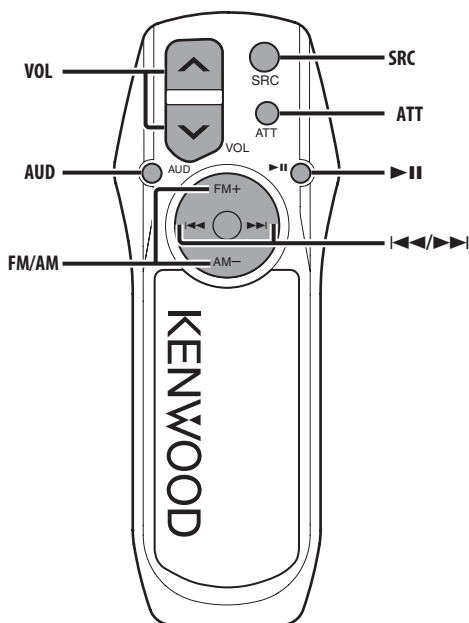
Appuyez sur la touche [RDM].

A chaque fois qu'on appuie sur la touche, la lecture aléatoire est activée puis désactivée. Lorsque la fonction est activée, l'indicateur "RDM" est allumé.



- Lorsque la molette de commande est poussée sur [▶▶], la sélection de chanson suivante commence.

Opérations de base de la télécommande

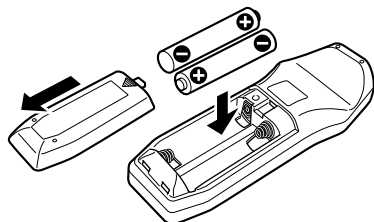


Recharger et remplacer la pile

Utiliser deux piles format "AA".

Faire coulisser le couvercle tout en appuyant vers le bas pour l'enlever comme indiqué sur l'illustration.

Introduire les piles en prenant soin de bien aligner les pôles + et -, en suivant l'illustration située à l'intérieur du boîtier.



⚠ AVERTISSEMENT

- Rangez les piles non utilisées hors de portée des enfants. Contactez un docteur immédiatement si la pile était avalée.



- Ne posez pas la télécommande sur des endroits chauds tels que sur le tableau de bord.

Opérations de base

Touches [VOL]

Régler le volume.

Touche [SRC]

Chaque fois que l'on appuie sur la touche, la source change.

Pour connaître l'ordre de changement de la source, référez-vous à la section <Sélectionner la source> (page 30).

Touche [ATT]

Baisser le volume rapidement.

Lorsque l'on appuie de nouveau sur la touche, le volume revient à son niveau précédent.

Commande du son

Touche [AUD]

Sélectionnez l'élément audio pour l'ajustement.

Touches [VOL]

Ajustez l'élément audio.



- Reportez-vous à <Commande du son> (page 31) pour connaître la marche à suivre, comme les modes de commande audio, etc.

En source tuner

Touches [FM]/ [AM]

Sélectionnez la bande.

Chaque fois que l'on appuie sur la touche [FM] la gamme d'onde change parmi FM1, FM2 et FM3.

Touches [◀◀]/ [▶▶]

Réglez une bande supérieure ou inférieure.

En source disque

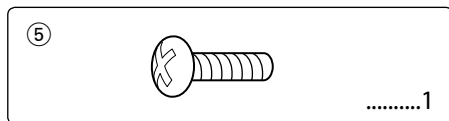
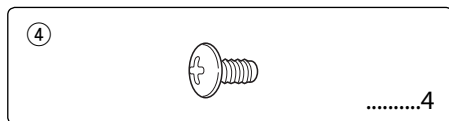
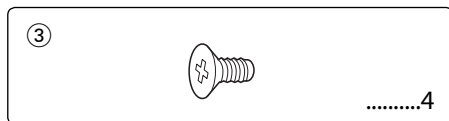
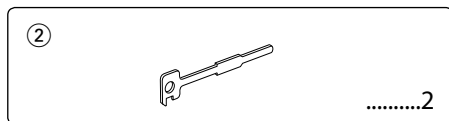
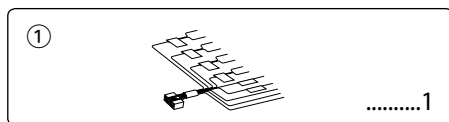
Touches [◀◀]/ [▶▶]

Avancer ou reculer dans la plage.

Touche [▶II]

Chaque fois que l'on appuie sur cette touche, la chanson se met en pause ou en lecture.

Accessoires



Procédure d'installation

1. Pour éviter les courts-circuits, retirez la clef de contact et déconnectez la borne ⊖ de la batterie.
2. Effectuez les connexions d'entrée et sortie correctement pour chaque appareil.
3. Connectez les câbles de haut-parleur du faisceau de câbles.
4. Connectez les câbles du faisceau dans l'ordre suivant: masse, batterie, allumage.
5. Connectez le connecteur du faisceau à l'appareil.
6. Installez l'appareil dans votre voiture.
7. Reconnectez la borne ⊖ de la batterie.
8. Appuyez ensuite sur la touche de réinitialisation.

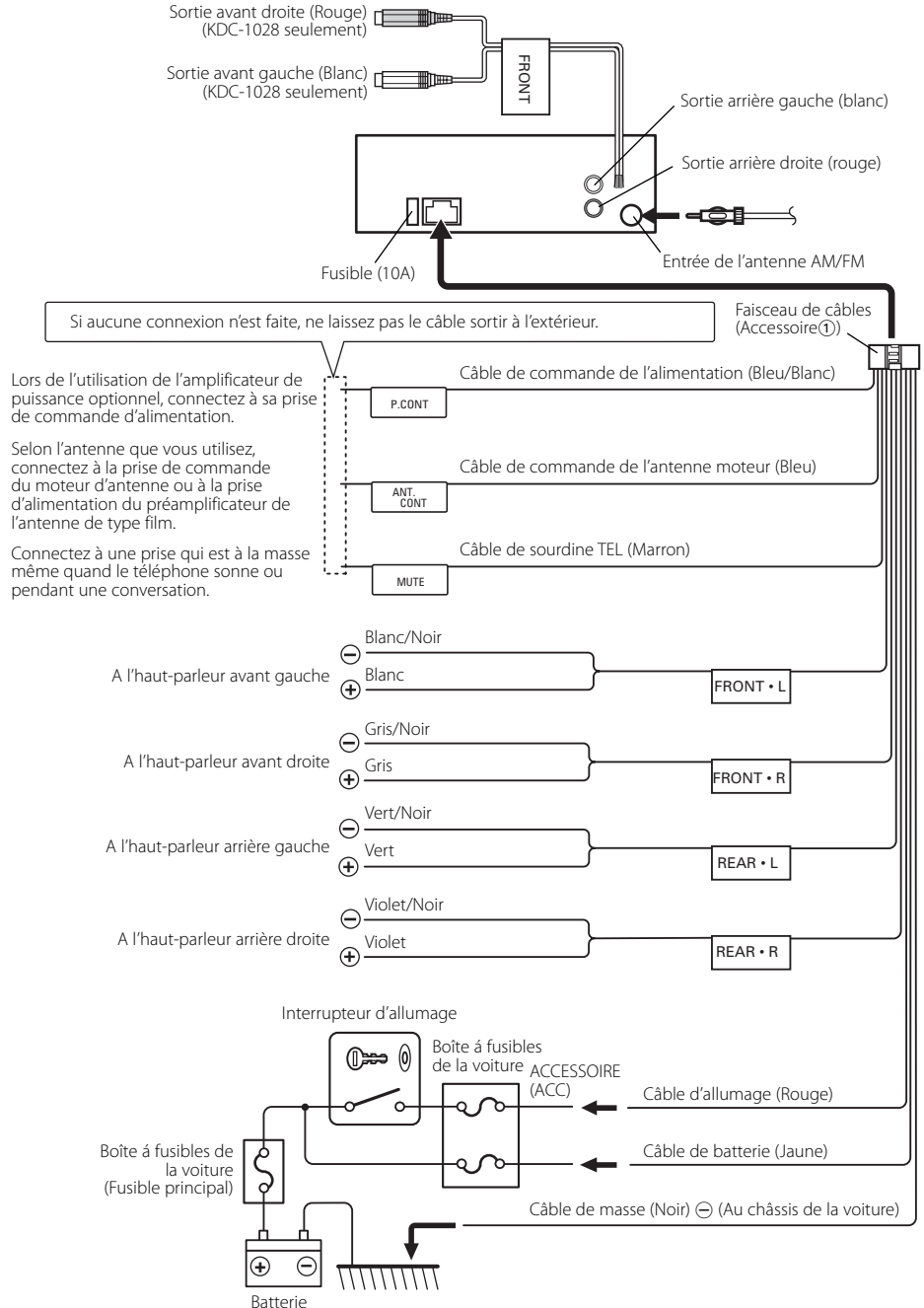
▲AVERTISSEMENT

Si vous connectez le câble d'allumage (rouge) et le câble de batterie (jaune) au châssis de la voiture (masse), vous risquez de causer un court-circuit qui peut provoquer un incendie. Connectez toujours ces câbles à la source d'alimentation de la boîte à fusible.



- Si l'appareil ne s'allume pas (ou s'il s'allume et s'éteint immédiatement), le fil d'enceinte a peut-être subi un court-circuit ou touché le châssis du véhicule, et la fonction de protection a pu être activée. Le fil d'enceinte devrait donc être examiné.
- Si l'allumage de votre voiture n'a pas de position ACCESSOIRE (ACC), connectez le câble d'allumage à une source d'alimentation qui peut être mise sous et hors tension avec la clef de contact. Si vous connectez le câble d'allumage à une source d'alimentation constante, comme un câble de batterie, la batterie risque de se décharger.
- Si la console est équipée d'un couvercle, assurez-vous d'installer l'appareil de façon à ce que la façade ne frappe pas le couvercle lors de la fermeture ou de l'ouverture.
- Si un fusible grille, assurez-vous d'abord que les câbles n'ont pas causé de court-circuit puis remplacez le vieux fusible par un nouveau de même valeur.
- Isolez les câbles non-connectés avec un ruban vinyle ou autre matériel similaire. Pour éviter, les courts-circuits, ne retirez pas non plus les capuchons à l'extrémité des câbles non-connectés ou des prises.
- Connectez séparément chaque câble d'enceinte à la prise correspondante. L'appareil peut être endommagé si le câble négatif ⊖ pour une des enceintes ou le câble de masse entre en contact avec une partie métallique du véhicule.
- Quand deux haut-parleurs seulement sont connectés au système, connectez les câbles soit aux prises de sortie avant, soit aux prises de sortie arrière (c.a.d. ne mélangez pas l'avant et l'arrière). Par exemple, si vous connectez le câble ⊕ du haut parleur de gauche à une prise de sortie avant, ne connectez pas le câble ⊖ du haut-parleur droit à la prise de sortie arrière.
- Après avoir installé l'appareil, vérifiez si les lampes de frein, les indicateurs, les clignotants, etc de la voiture fonctionnent correctement.
- Monter l'unité de façon à ce que l'angle de montage soit de 30° ou moins.

Connexion des câbles sur les prises

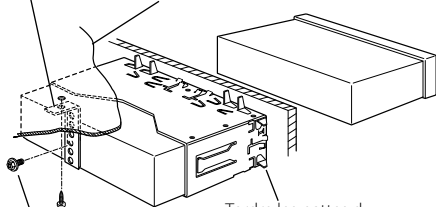


Installation

voiture non-japonaise

Armature de montage métallique
(disponibles dans le commerce)

Tôle pare-feu ou support métallique



Tordre les pattes du manchon de montage avec un tournevis ou un outil similaire et fixer.

Vis à tôle
(disponibles dans le commerce)

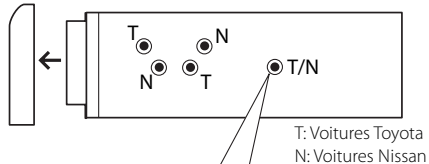
Vis (M4X8)
(disponibles dans le commerce)



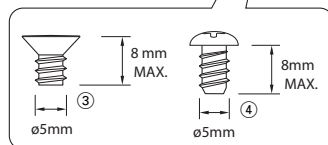
- Assurez-vous que l'appareil est solidement installé. Si l'appareil est instable, il risque de mal fonctionner (ex. le son risque de sauter).

voiture japonaise

- Référez vous à la section <Retrait du cadre en caoutchouc dur> (page 44) puis retirez le cadre en caoutchouc dur.
- Alignez les creux de l'appareil (deux de chaque côté) avec le support de montage du véhicule et fixez l'appareil avec les vis accessoires.



T: Voitures Toyota
N: Voitures Nissan



Accessoire③...pour les voitures Nissan

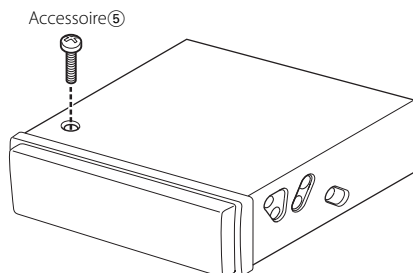
Accessoire④...pour les voitures Toyota



- Pendant l'installation, n'utilisez aucune autres vis que celles fournies. L'utilisation de vis différentes pourrait endommager l'appareil.
- L'appareil risque d'être endommagé si un tournevis ou un outil similaire est utilisé avec une force excessive pendant le montage.

Vissage de la façade sur l'appareil

Si vous souhaitez fixer la façade sur l'appareil principal de façon qu'elle ne tombe pas, vissez-la avec la vis dans le trou montré cidessous.

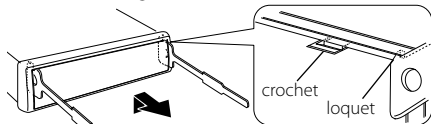


- Ne jamais insérer les vis dans d'autres trous que ceux spécifiés individuellement pour chacune. Si vous les insérez dans un autre trou, elles peuvent se contracter et causer des dommages aux parties mécaniques à l'intérieur de l'unité.

Retrait de l'appareil

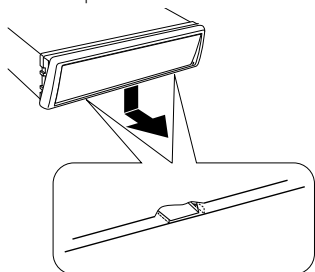
Retrait du cadre en caoutchouc dur

- 1 Engagez les broches de saisie sur l'outil de retrait et retirez les deux verrous du niveau supérieur. Soulevez le cadre et tirez-le vers l'avant comme montré sur la figure.



Accessoire ②
Outil de démontage

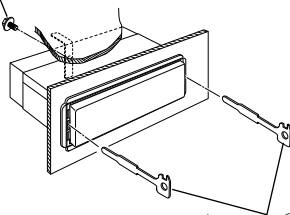
- 2 Lorsque le niveau supérieur est retiré, retirez les deux emplacements inférieurs.



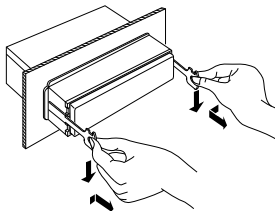
- Le châssis peut être également retiré à partir du côté arrière de la même façon.

Retrait de l'appareil

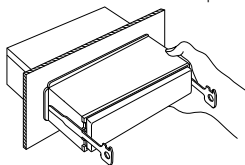
- 1 Référez vous à la section <Retrait du cadre en caoutchouc dur> (page 44) puis retirez le cadre en caoutchouc dur.
- 2 Retirez la Vis à tête hexagonale avec rondelle intégrale (M4 x 8 mm) sur le panneau arrière.
- 3 Insérez les deux outils de démontage profondément dans les fentes de chaque côté, comme montré.
Vis (M4X8) (disponibles dans le commerce)



- 4 Baissez les outils de démontage vers le bas et tirez l'appareil à moitié en faisant pression vers l'intérieur.



- Faites attention de ne pas vous blesser avec le loquet de l'outil de démontage.
- 5 Sortez l'appareil entièrement avec les mains, en faisant attention de ne pas le faire tomber.



Ce qui peut apparaître comme un mauvais fonctionnement de votre appareil n'est peut être que le résultat d'une mauvaise opération ou d'une mauvaise connexion. Avant d'appeler un centre de service, vérifiez d'abord dans le tableau suivant les problèmes possibles.

Général

? L'appareil ne se met pas sous tension.

- ✓ Le fusible a grillé.
 - ☞ Après avoir vérifié qu'il n'y a pas de court-circuits dans les câbles, remplacez le fusible par un de la même valeur.
- ✓ Le fil d'enceinte a un court-circuit ou touche le châssis du véhicule, et par conséquent la fonction de protection est activée.
 - ☞ Disposez ou isolez le câble d'enceinte correctement et appuyez sur la touche reset.

? Impossible de commuter sur une source.

- ✓ Aucun support n'est inséré.
 - ☞ Effectuez les réglage pour le média que vous souhaitez écouter. S'il n'y a aucun média dans cet appareil, il est impossible de commuter les sources.

? La mémoire est effacée quand le contact est mis.

- ✓ Les câble de batterie et d'allumage ne sont pas connectés correctement.
 - ☞ Connectez le câble correctement en vous référant à la section <Connexion des câbles sur les prises>.

? La fonction de sourdine TEL ne fonctionne pas.

- ✓ Le câble de sourdine TEL n'est pas connecté correctement.
 - ☞ Connectez le câble correctement en vous référant à la section <Connexion des câbles sur les prises>.

? La fonction de sourdine TEL se met en service même si le câble de sourdine TEL n'est pas connecté.

- ✓ Le câble de sourdine TEL touche une partie métallique de la voiture.
 - ☞ Eloignez le câble de sourdine TEL des parties métalliques de la voiture.

? Même si la force est activée, les sons de haute fréquence ne seront pas compensés.

- ✓ La source de tuner est sélectionnée.
 - ☞ Les sons de haute fréquence ne seront pas compensés lorsque la source est le tuner.

? Aucun son ne peut être entendu, ou le volume est faible.

- ✓ Les réglages du fader ou de l'équilibre sont réglés complètement d'un côté.
 - ☞ Centrer les réglages du fader et de la balance.
- ✓ Les câbles d'entrée/sortie ou le faisceau de câbles sont connectés incorrectement.
 - ☞ Reconnectez les câbles d'entrée/sortie et/ou le faisceau de câbles correctement. Voir la section sur la <Connexion des câbles sur les prises>.
- ✓ Les valeurs de décalage de volume sont faibles.
 - ☞ Augmentez le décalage du volume en vous référant à la section <Configuration audio> (page 32).

? Le son est de mauvaise qualité ou déformé.

- ✓ Un câble de haut-parleur a peut être été pincé par une vis dans la voiture.
 - ☞ Vérifiez la connexion des haut-parleurs.
- ✓ Les enceintes ne sont pas connectées correctement.
 - ☞ Reconnectez les câbles de haut-parleurs de manière que chaque prise de sortie soit connectée à un haut-parleur différent.

Source tuner

? La réception radio est mauvaise.

- ✓ L'antenne de la voiture n'est pas sortie.
 - ☞ Sortez l'antenne complètement.
- ✓ Le câble de commande de l'antenne n'est pas connecté.
 - ☞ Connectez le câble correctement en vous référant à la section <Connexion des câbles sur les prises>.

En source disque

? Le disque spécifié n'est pas reproduit mais un autre est reproduit à sa place.

- ✓ Le disque spécifié est très sale.
 - ↳ Nettoyez le CD.
- ✓ Le disque a été inséré dans une autre fente que celle spécifiée.
 - ↳ Ejectez le magasin et vérifiez le numéro du disque spécifié.
- ✓ Le disque est très rayé.
 - ↳ Essayez un autre disque.

? Le CD est éjecté aussitôt après être introduit.

- ✓ Le CD est très sale.
 - ↳ Nettoyez le CD en vous référant à la rubrique Nettoyage de CD de la section <Au sujet des CD> (page 29).

? Impossible de retirer le disque.

- ✓ La cause en est que plus de 10 minutes se sont écoulées depuis que le commutateur ACCESSOIRE (ACC) du véhicule a été coupé.
 - ↳ Le disque ne peut être retiré que dans les 10 minutes suivant la mise hors tension du commutateur ACCESSOIRE (ACC).

? Le disque ne s'insère pas.

- ✓ Un disque est déjà chargé.
 - ↳ Pressez la touche [▲] et retirez le disque.

? La recherche directe ne peut être effectuée.

- ✓ Une autre fonction est activée.
 - ↳ Désactivez la lecture aléatoire ou les autres fonction.

? La recherche par piste ne peut pas être effectuée.

- ✓ Pour les premiers disques ou dossiers ou la dernière chanson.
 - ↳ Pour chaque disque ou dossier, la recherche de plage ne peut être effectuée en marche arrière pour la première chanson ou en marche avant pour la dernière chanson.

Les messages ci-dessous indiquent l'état de votre système.

- E-04: Le CD est très sale. Le CD est à l'envers. Le CD est très rayé.
↳ Nettoyez le CD et insérez-le correctement.
- E-99: L'appareil fonctionne mal pour certaines raisons.
↳ Appuyez sur la touche reset de l'appareil. Si le message "E-99" ne disparaît pas, veuillez consulter votre centre de réparation le plus proche.
- IN (clignote): Le lecteur CD ne marche pas correctement.
↳ Réinsérez le CD. si le CD ne peut pas être éjecté ou si l'affichage continue à clignoter même si le CD a à être correctement remis en place, veuillez couper le courant et consulter votre centre de service après-vente le plus proche.

Spécifications

Les spécifications sont sujettes à changements sans notification.

Section tuner FM

- Plage de fréquence (espacement de 200 kHz)
 - : 87,9 MHz – 107,9 MHz
- Sensibilité utilisable (S/N = 30dB)
 - : 9,3 dBf (0,8 μ V/75 Ω)
- Sensibilité silencieuse (S/N = 50dB)
 - : 15,2 dBf (1,6 μ V/75 Ω)
- Réponse en fréquence ($\pm 3,0$ dB)
 - : 30 Hz – 15 kHz
- Taux de Signal/Bruit (MONO)
 - : 70 dB
- Sélectivité (± 400 kHz)
 - : ≥ 80 dB
- Séparation stéréo (1 kHz)
 - : 40 dB

Section tuner AM

- Plage de fréquence (espacement de 10 kHz)
 - : 530 kHz – 1700 kHz
- Sensibilité utilisable (S/N = 20dB)
 - : 28 dB μ (25 μ V)

Section Disque Compact

- Diodes laser
 - : GaAlAs
- Filtre numérique (A/N)
 - : 8 fois suréchantillonnage
- Convertisseur A/N
 - : 1 Bit
- Vitesse de l'axe
 - : 500 – 200 rpm (CLV)
- Pleurage et scintillement
 - : Non mesurables
- Réponse en fréquence (± 1 dB)
 - : 10 Hz – 20 kHz
- Distorsion harmonique totale (1 kHz)
 - : 0,01 %
- Taux de Signal/Bruit (1 kHz)
 - : 93 dB
- Gamme dynamique
 - : 93 dB
- Séparation de canaux
 - : 85 dB

Section audio

- Puissance de sortie maximum
 - KDC-1028: 50 W x 4
 - KDC-128/128CR: 45 W x 4
- Pleine Puissance de Largeur de Bande (avec une DHT inférieure à 1%)
 - : 22 W x 4
- Action en tonalité
 - Graves : 100 Hz ± 10 dB
 - Centrale : 1 kHz ± 10 dB
 - Aiguës : 10 kHz ± 10 dB
- Niveau de préamplification/charge (pendant le mode CD)
 - : 2000 mV/10 k Ω
- Impédance de sortie préamplificateur
 - : $\leq 600 \Omega$

Général

- Tension de fonctionnement (11 – 16V admissible)
 - : 14,4 V
- Courant absorbé
 - : 10 A
- Taille d'installation (L x H x P)
 - : 182 x 53 x 155 mm
 - 7-3/16 x 2-1/16 x 6-1/10 pouce
- Masse
 - : 3,1 lbs (1,4 kg)

Precauciones de Seguridad	49	Accesorios/ Procedimiento de instalación	62
Notas	50	Conexión de cables a los terminales	63
Acerca de los CDs	51	Instalación	64
Características generales	52	Desmontaje de la unidad	66
Alimentación		Guía Sobre Localización De Averías	67
Selección de la fuente		Especificaciones	69
Volumen			
Atenuador			
System Q			
Control de audio			
Configuración de audio			
Ajuste de altavoz			
Visualización del reloj			
Ajuste del reloj			
Control del atenuador de iluminación			
DSI (Disabled System Indicator)			
Placa frontal antirrobo			
Silenciamiento de TEL			
Características del sintonizador	56		
Sintonización			
Modo de Sintonización			
Memoria de presintonización de emisoras			
Entrada de Memoria Automática			
Sintonización preajustada			
CRSC (Clean Reception System Circuit) (Circuito de sistema de recepción clara)			
Características del reproductor de CD	58		
Reproducción de CD			
Avance rápido y rebobinado			
Búsqueda de pista			
Repetición de pista			
Reproducción con Exploración			
Reproducción aleatoria			
Operaciones básicas del control remoto	60		
Carga y Recambio de la Pila			
Operaciones básicas			
Control de audio			
En fuente Sintonizador			
En fuente de Disco			

Precauciones de Seguridad

▲ADVERTENCIA

Para evitar el riesgo de lesiones y/o fuego, observe las siguientes precauciones:

- Para evitar cortocircuitos, nunca coloque ni deje objetos metálicos (por ejemplo, monedas o herramientas metálicas) dentro de la unidad.

▲PRECAUCIÓN

Para evitar daños en la unidad, tome las siguientes precauciones:

- Asegúrese de utilizar para la unidad una fuente de alimentación de 12V CC con masa negativa.
- No instale la unidad en un sitio expuesto a la luz directa del sol, o excesivamente húmedo o caluroso. Asimismo evite los lugares muy polvorientos o sujetos a salpicaduras de agua.
- No deje la placa frontal desmontada o el estuche de la placa frontal en lugares expuestos a la luz directa del sol, o excesivamente húmedos o calurosos. Asimismo evite los lugares muy polvorientos o sujetos a salpicaduras de agua.
- Para evitar el deterioro, no toque con sus dedos los terminales de la unidad o de la placa frontal.
- Evite aplicar golpes fuertes a la placa frontal, dado que se trata de un componente de precisión.
- Cuando tenga que reemplazar un fusible, utilice únicamente uno del régimen prescrito. El uso de un fusible de régimen incorrecto podría ocasionar un funcionamiento defectuoso de la unidad.
- Durante la instalación, no utilice otros tornillos que no sean los suministrados. El uso de tornillos diferentes podría causar daños en la unidad principal.

Coloque el panel mientras se encuentre en el vehículo

En esta unidad el brazo de bloqueo del panel aparecerá cuando se extrae el panel, por lo que éste debe colocarse durante la conducción.

No cargue discos compactos de 8 cm (3 pulg.) en la ranura del CD

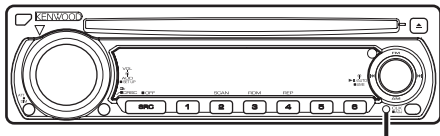
Si intenta cargar en la unidad un CD de 8 cm con su adaptador, éste podría separarse del CD y dañar la unidad.

Empañamiento de la lente

Inmediatamente después de encender el calefactor del automóvil en épocas de frío, se podría formar condensación o vaho sobre la lente de la reproductora de CD. Este empañamiento de la lente podría hacer imposible la reproducción de los discos compactos. En tal caso, retire el disco y espere hasta que se evapore la condensación. Si la unidad no opera de la manera normal después de un tiempo, consulte con su distribuidor Kenwood.

Notas

- Si tiene problemas durante la instalación, consulte con su distribuidor KENWOOD.
- Si la unidad no opera correctamente, pulse el botón RESET. La unidad se reposiciona a los ajustes de fábrica al pulsar el botón RESET.



Botón de reposición

- Las ilustraciones de la Pantalla y el panel que aparecen en este manual son ejemplos utilizados para explicar mejor cómo se utilizan los mandos. Por lo tanto, las ilustraciones de la pantalla que aparecen pueden ser distintas a las que aparecen realmente en la pantalla del equipo, y algunas de las ilustraciones de la pantalla puede que representen algo imposible durante el funcionamiento actual.

Limpieza de la unidad

Si la placa frontal de esta unidad está manchada, límpiela con un paño seco tal como un paño de silicona. Si la placa frontal está muy sucia, límpiela con un paño humedecido en jabón neutro, y luego aclárelo.



- Si se aplica algún spray para limpiar directamente a la unidad puede que afecte a sus partes mecánicas. Si se limpia la placa frontal con un paño duro o utilizando líquido volátil tal como disolvente o alcohol puede que se raye la superficie o que se borren algunos caracteres.

Limpieza de los terminales de la placa frontal

Si se ensucian los terminales de la unidad o de la placa frontal, límpielos con un paño suave y seco.

Acerca de los CDs

Manipulación de CDs

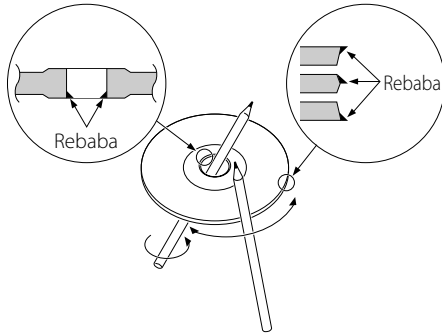
- No toque la superficie de grabación del CD.



- CD-R y CD-RW son más fáciles de dañar que un CD de música normal. Utilice un CD-R o un CD-RW después de leer los ítems de precaución en el paquete etc.
- No pegue cinta etc. sobre el CD. Tampoco, no utilice un CD con cinta pegada sobre el.

Cuando utilice un CD nuevo

Si el agujero central del CD o el margen exterior tiene rebaba, utilícelo después de haberla quitado con un bolígrafo.

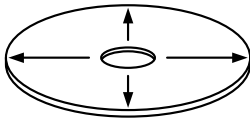


Accesorios de CD

No utilice accesorios de tipo disco.

Limpieza de CD

Limpie desde el centro del disco hacia el exterior.

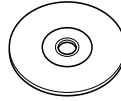


Extracción de CDs

Al extraer los CDs de esta unidad tire de ellos hacia afuera en forma horizontal.

CDs que no se pueden utilizar

- No se pueden utilizar CDs que no sean redondos.



- No se pueden utilizar CDs coloreados en la superficie de grabación o que estén sucios.
- Esta unidad sólo puede reproducir los CD con



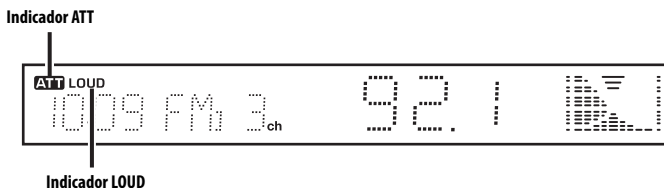
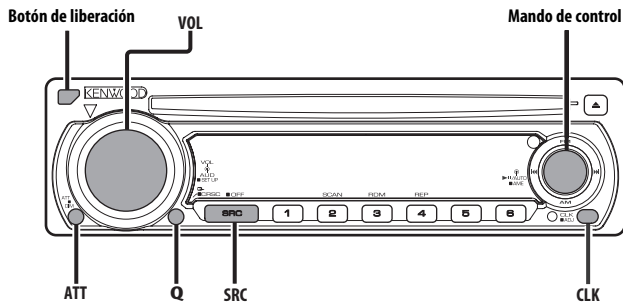
Puede que no reproduzca correctamente los discos que no tienen la marca.

- No se puede reproducir un CD-R o CD-RW que no ha sido finalizado. (Para el proceso de finalización remítase a su software escrito CD-R/CD-RW, y a su manual de instrucciones de grabador de CD-R/CD-RW.

Almacenamiento de CD

- No los coloque expuestos a la luz solar directa (Sobre el asiento o el tablero de instrumentos etc.) ni donde la temperatura sea alta.
- Guarde los CDs en sus cajas.

Características generales



Alimentación

Encendido de la alimentación

Pulse el botón [SRC].

Apagado de la alimentación

Pulse el botón [SRC] durante más de 1 segundo.

Selección de la fuente

Pulse el botón [SRC].

Fuente requerida	Visualización
Sintonizador	"TUnE"
CD	"CD"
En espera (sólo modo de iluminación)	"STBY"

Volumen

Para aumentar el nivel del volumen

Gire el mando [VOL] en el sentido de las agujas del reloj.

Para disminuir el nivel de volumen

Gire el mando [VOL] en sentido contrario a las agujas del reloj.

Atenuador

Para bajar el volumen rápidamente.

Pulse el botón [ATT].

Cada vez que se pulsa el botón, el atenuador se activa y se desactiva.

Cuando está activado, el indicador "ATT" parpadea.

System Q

Es posible recuperar el mejor ajuste de sonido predefinido para los diferentes tipos de música.

1 Seleccione la fuente que desea ajustar

Pulse el botón [SRC].

2 Seleccione el tipo de Sonido

Pulse el botón [Q].

Cada vez que pulse el botón, el ajuste del sonido cambiará.

Ajuste del sonido	Visualización
Natural	"FLAT"
Rock	"ROCK"
Pops	"POPS"
Ligera	"EASY"
Top 40	"TP40"
Jazz	"JAZZ"



- "USER": Los valores se ajustan en <Control de audio> (página 53). Cuando se cambia el ajuste de System Q, los Graves, Medios y Agudos ajustados en control de audio reemplazan a los valores de System Q.
- Cada ajuste de valor se cambia con <Ajuste de altavoz> (página 54). Primero deberá seleccionar el tipo de altavoz con el ajuste de Altavoz.

Control de audio

1 Seleccione la fuente para el ajuste

Pulse el botón [SRC].

2 Acceda al modo de Control de Audio

Pulse el mando [VOL].

3 Seleccione el elemento de Audio para el ajuste

Pulse el mando [VOL].

Cada que vez que pulse el mando, los ítems que pueden ajustarse cambiarán tal como se indica a continuación.

4 Ajuste el elemento de Audio

Gire el mando [VOL].

Ítem de ajuste	Visualización	Margen
Nivel de graves	"BAS"	-8 — +8
Nivel de medios	"MID"	-8 — +8
Nivel de agudos	"TRE"	-8 — +8
Balance	"BL"	Izquierda 15 — Derecha 15
Fader	"FD"	Posterior 15 — Frontal 15

5 Salga del modo de Control de Audio

Pulse cualquier botón.

Pulse un botón que no sea ni el mando [VOL] ni el botón [ATT].

Características generales

Configuración de audio

Ajuste del sistema de sonido, como la compensación de volumen y el loudness.

1 Seleccione la fuente para el ajuste

Pulse el botón [SRC].

2 Acceda al modo de configuración de audio

Pulse el mando [VOL] durante al menos 1 segundo.

3 Seleccione el ítem de configuración de audio para ajustarlo

Pulse el mando [VOL].

Cada que vez que pulse el mando, los ítems que pueden ajustarse cambiarán tal como se indica a continuación.

4 Ajuste el ítem de configuración de audio

Gire el mando [VOL].

Ítem de ajuste	Visualización	Margen
Compensación de volumen	"V-OF"	-8 — ±0
Sonoridad	"LOUD"	ACTIVADO/DESACTIVADO



- Compensación del volumen:
El volumen de cada fuente puede ajustarse independientemente del volumen básico.
- Sonoridad: Compensación de los registros graves y agudos a bajo volumen.
Cuando está activado, el indicador "LOUD" se ACTIVA.

5 Salga del modo de configuración de audio

Pulse el mando [VOL] durante al menos 1 segundo.

Ajuste de altavoz

Realice el ajuste exacto para que el valor de System Q sea óptimo al ajustar el tipo de altavoz.

1 Acceso al modo de espera

Pulse el botón [SRC].

Seleccione la visualización "STBY".

2 Acceda al modo de Ajuste de Altavoz

Pulse el mando [VOL].

3 Seleccione el tipo de Altavoz

Gire el mando [VOL].

Cada vez que gire el mando, la configuración cambiará como se indica a continuación.

Tipo de altavoz	Visualización
DESACTIVAR	"SP-F"
Para altavoz de 5 y 4 pulgadas	"SP-5"
Para altavoz de 6 y 6x9 pulgadas	"SP-6"
Para altavoz OEM	"SP-O"

4 Salga del modo de Ajuste de Altavoz

Pulse el mando [VOL].

Visualización del reloj

Pulse el botón [CLK].

Cada vez que se pulsa el botón, la visualización del reloj se encenderá o se apagará.

Ajuste del reloj

1 Acceso al modo de espera

Pulse el botón [SRC].

Seleccione la visualización "STBY".

2 Seleccione la visualización del reloj

Pulse el botón [CLK].

3 Acceda al modo de ajuste del reloj

Pulse el botón [CLK] durante más de 2 segundos.

La indicación horaria parpadea.

4 Ajuste las horas

Mueva el mando de control a [FM] o [AM].

Ajuste los minutos

Mueva el mando de control a [◀◀] o [▶▶].

5 Salga del modo de ajuste del reloj

Pulse el botón [CLK].

Control del atenuador de iluminación

Es posible atenuar la visualización de la unidad.

Pulse el botón [ATT] durante más de 1 segundo.

Cada vez que se pulse este botón durante 1 segundo, el control del atenuador de iluminación se activará o desactivará.

Cuando está activada se visualiza "on DI".

DSI (Disabled System Indicator)

Después de retirar la placa frontal de la unidad, parpadea un indicador rojo como advertencia para potenciales ladrones.

1 Apague la unidad (OFF)

Pulse el botón [SRC] durante más de 1 segundo.

2 Ajuste el DSI

Mientras pulsa el botón [1] y [3], pulse el botón [SRC].

Suelte el botón cuando aparezca la pantalla.

Cada vez que se realizan las operaciones de los pasos 1 y 2, el DSI se activa y desactiva.

Placa frontal antirrobo

La placa frontal de la unidad puede extraerla y llevarla con usted para impedir robos.

Extracción de la placa frontal

Pulse el botón de liberación.

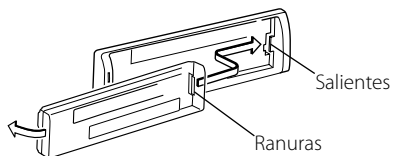
La placa frontal queda desbloqueada permitiendo su extracción.



- La placa frontal es una pieza de precisión y puede resultar dañada por golpes o sacudidas. Por tal motivo, guarde la placa frontal en su estuche especial cuando esté fuera del vehículo.
- No exponga la placa frontal o su estuche a la luz solar directa ni al calor o humedad excesivos. Además deberá evitar sitios con mucho polvo o la posibilidad de que se derrame agua sobre ella.

Colocación de la placa frontal después de haberla extraído

1 Alinee las proyecciones de la unidad con las ranuras en la placa frontal.



2 Deslice la placa frontal hasta que sienta que hace clic.

La placa frontal queda bloqueada en su sitio, permitiendo utilizar la unidad.

Silenciamiento de TEL

El sistema de audio se silencia automáticamente al entrar una llamada telefónica.

Cuando se recibe una llamada

Se visualiza "CALL".

El sistema de audio queda en pausa.

Audición del audio durante una llamada

Pulse el botón [SRC].

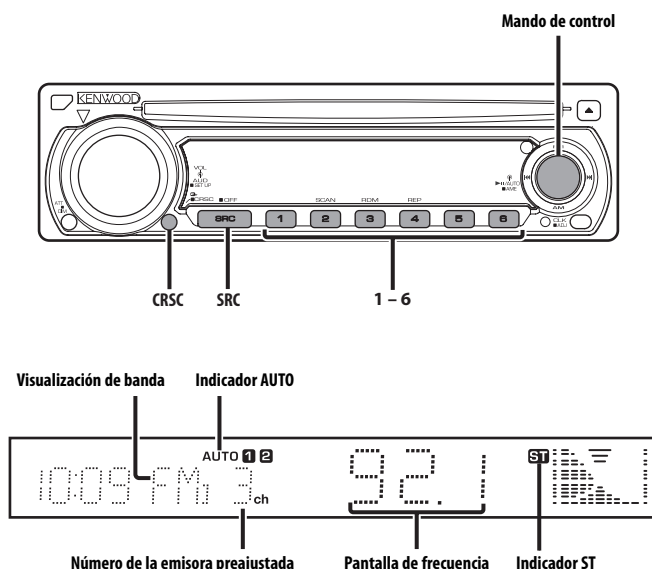
La visualización "CALL" desaparece y el sistema de audio vuelve a ACTIVARSE.

Cuando termina la llamada

Cuelgue el teléfono.

La visualización "CALL" desaparece y el sistema de audio vuelve a ACTIVARSE.

Características del sintonizador



Sintonización

Selección de la emisora.

1 Seleccione la fuente de sintonizador

Pulse el botón [SRC].

Seleccione la visualización "TUnE".

2 Seleccione la banda

Mueva el mando de control a [FM] o [AM].

Cada vez que se coloca el mando en [FM], la banda de recepción cambiará entre FM1, FM2 y FM3.

3 Sintonice la banda hacia arriba o hacia abajo

Mueva el mando de control a [◀◀] o [▶▶].



- Durante la recepción de emisoras en estéreo, el indicador "ST" se activa.

Modo de Sintonización

Elija el modo de sintonización.

Pulse el mando de control.

Cada vez que se pulsa el mando, el modo de sintonización cambia como se indica a continuación.

Modo de Sintonización	Visualización	Funcionamiento
Búsqueda automática	Indicador "AUTO 1"	Búsqueda automática de una emisora.
Búsqueda de emisora predefinida	Indicador "AUTO 2"	Búsqueda de emisoras por orden en la memoria de preajuste.
Manual	—	Control de sintonización manual normal.

Memoria de presintonización de emisoras

Almacenamiento de la emisora en la memoria.

1 Seleccione la banda

Mueva el mando de control a [FM] o [AM].

2 Seleccione la frecuencia para guardarla en la memoria

Mueva el mando de control a [◀◀] o [▶▶].

3 Guarde la frecuencia en la memoria

Pulse el botón [1] — [6] deseado durante al menos 2 segundos.

La visualización del número predefinido parpadea 1 vez.

En cada banda, se puede guardar 1 emisora en la memoria de cada botón [1] — [6].

Entrada de Memoria Automática

Almacenamiento automático de emisoras con buena recepción en la memoria.

1 Seleccione la banda de la Entrada de Memoria Automática

Mueva el mando de control a [FM] o [AM].

2 Abra la Entrada de Memoria Automática

Pulse el mando de control durante al menos 2 segundos.

Cuando se guardan en memoria 6 emisoras que pueden recibirse, la Entrada de Memoria Automática se cierra.

Sintonización preajustada

Recuperación de las emisoras de la memoria

1 Seleccione la banda

Mueva el mando de control a [FM] o [AM].

2 Recupere la emisora

Pulse el botón [1] — [6] deseado.

CRSC (Clean Reception System Circuit) (Circuito de sistema de recepción clara)

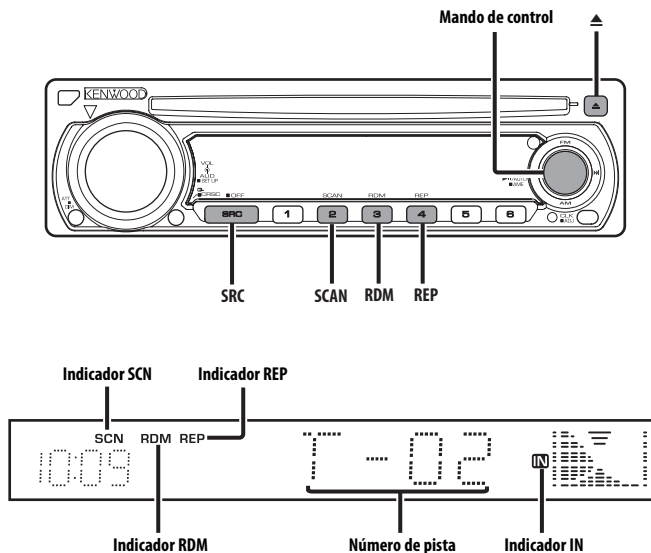
Cambia temporalmente la recepción de estéreo a mono para reducir el ruido de camino múltiple en recepción de la emisora FM.

Pulse el botón [CRSC] durante más de 1 segundo.

Cada vez que se pulsa el botón, el CRSC se activa y se desactiva.

Cuando está activada se visualiza "on CRSC".

Características del reproductor de CD



Reproducción de CD

Cuando hay un CD insertado

Pulse el botón [SRC].

Seleccione la visualización "CD".



- Cuando haya un CD insertado, el indicador "IN" se activa.

Pausa y Reproducción

Pulse el mando de control.

Cada vez que se pulsa el mando, el modo cambia entre pausa y reproducción.

Expulse el CD

Pulse el botón [▲].

Avance rápido y rebobinado

Avance rápido

Mantenga pulsada la parte [▶▶] del mando de control.

Libere el botón en el punto en el que desea reanudar la reproducción.

Inversión

Mantenga pulsada la parte [◀◀] del mando de control.

Libere el botón en el punto en el que desea reanudar la reproducción.

Búsqueda de pista

Selección de la canción que se desea escuchar.

Mueva el mando de control a [◀◀] o [▶▶].

Repetición de pista

Repetición de la canción que esté escuchando.

Pulse el botón [REP].

Cada vez que se pulsa el botón, la repetición de pista se activa y se desactiva.

Cuando está activado, el indicador "REP" se activa.

Reproducción con Exploración

Reproducción de la primera parte de cada canción del disco que esté escuchando y búsqueda de la canción que desee escuchar.

1 Inicie la Reproducción con Exploración

Pulse el botón [SCAN].

El indicador "SCN" se iluminará.

2 Libere cuando se reproduzca la canción que desee escuchar

Pulse el botón [SCAN].

Reproducción aleatoria

Reproducción de todas las canciones del disco en orden aleatorio.

Pulse el botón [RDM].

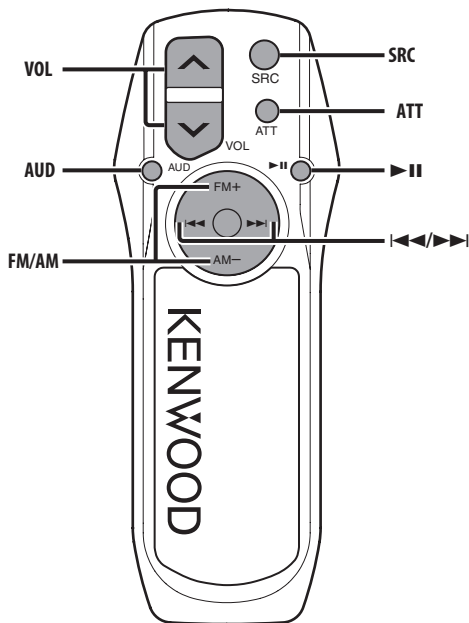
Cada vez que se pulsa el botón, la reproducción aleatoria se activa o desactiva.

Cuando está activado, el indicador "RDM" se activa.



- Cuando se mueve el mando de control a [▶▶], se inicia la siguiente canción seleccionada.

Operaciones básicas del control remoto

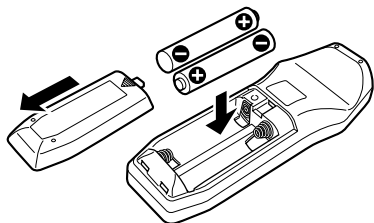


Carga y Recambio de la Pila

Utilice dos pilas tamaño "AA".

Deslice la cubierta del compartimiento de las pilas presionándola ligeramente como se muestra en la figura.

Inserte las pilas con los polos + y - alineados correctamente, siguiendo la ilustración del interior del compartimiento.



⚠ ADVERTENCIA

- Guarde las pilas no utilizadas lejos del alcance de los niños. Llame al médico inmediatamente si la pila fuera tragada por accidente.



- No coloque el mando a distancia sobre sitios calientes como encima del salpicadero.

Operaciones básicas

Botones [VOL]

Ajuste del volumen.

Botón [SRC]

Cada vez que se pulse el botón, la fuente cambiará.

Respecto del orden de cambio de la fuente, remítase a <Selección de la fuente> (página 52).

Botón [ATT]

Baja el volumen rápidamente.

Cuando se pulsa de nuevo, vuelve al nivel anterior.

Control de audio

Botón [AUD]

Seleccione el elemento de Audio para el ajuste.

Botones [VOL]

Ajuste el elemento de Audio.



- Remítase a <Control de audio> (página 53) respecto del método de funcionamiento, como los procedimientos del control de audio y otros.

En fuente Sintonizador

Botones [FM]/ [AM]

Seleccione la banda.

Cada vez que pulse el botón [FM] cambiará entre las bandas FM1, FM2, y FM3.

Botones [◀◀]/ [▶▶]

Sintonice la banda hacia arriba o hacia abajo.

En fuente de Disco

Botones [◀◀]/ [▶▶]

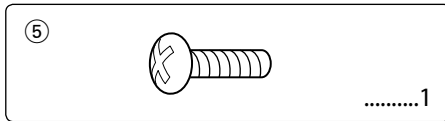
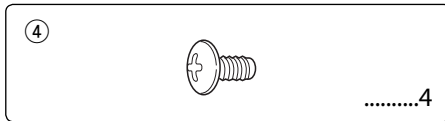
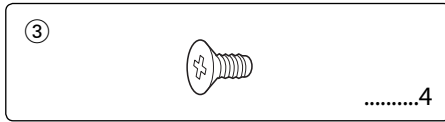
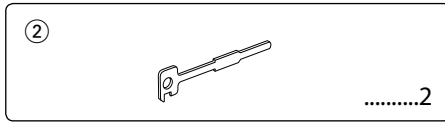
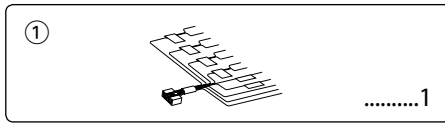
Realiza el movimiento por las pistas hacia adelante o hacia atrás.

Botón [▶II]

Cada vez que se pulse el botón, la canción queda en el estado de pausa o es reproducida.

Accesorios/ Procedimiento de instalación

Accesorios



Procedimiento de instalación

1. Para evitar cortocircuitos, retire la llave del encendido y desconecte el terminal ⊖ de la batería.
2. Conecte correctamente los cables de entrada y de salida de cada unidad.
3. Conecte los cables del altavoz del mazo de conductores.
4. Conecte los cables del mazo de conductores en el siguiente orden: masa, batería, encendido.
5. Conecte el conector del mazo de conductores a la unidad.
6. Instale la unidad en su automóvil.
7. Vuelva a conectar el terminal ⊖ de la batería.
8. Luego pulse el botón de reposición.

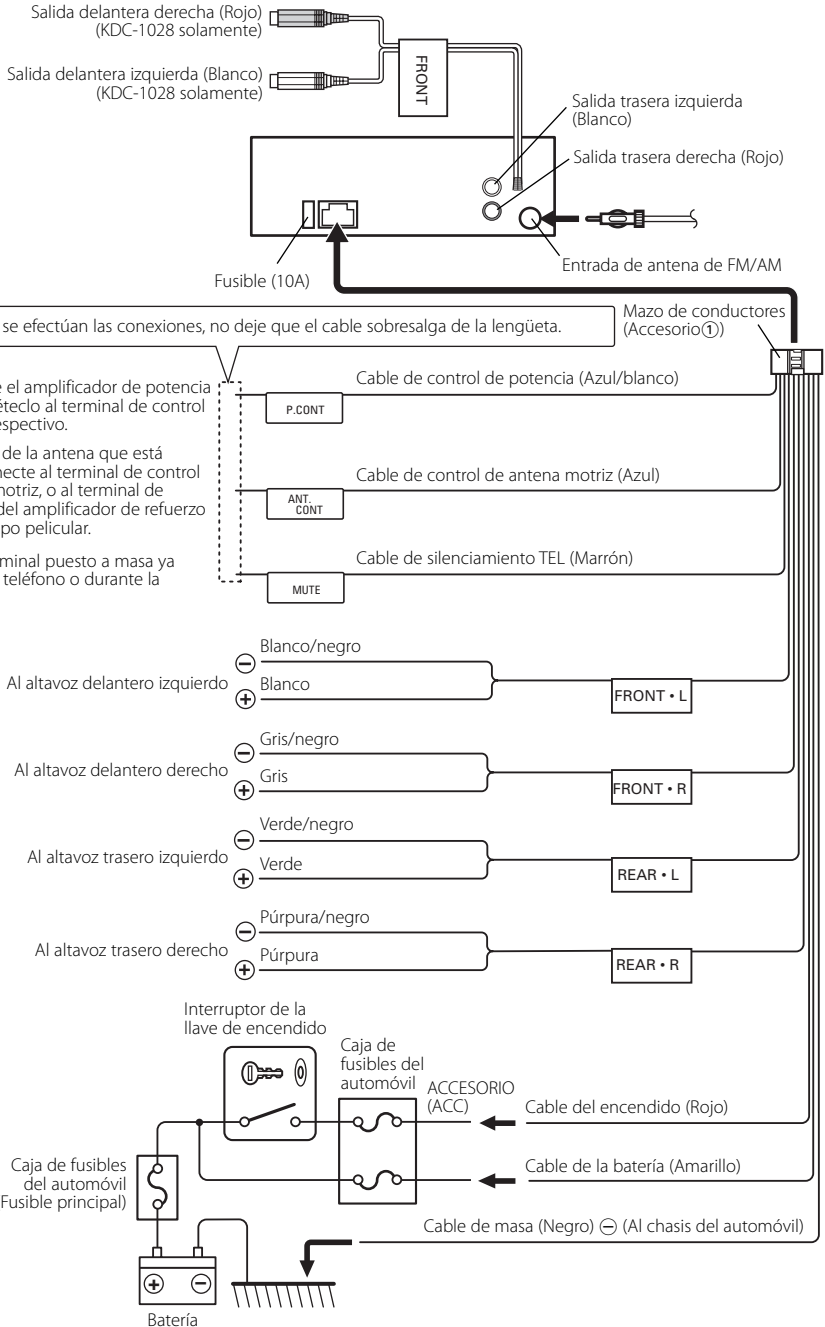
▲ADVERTENCIA

Si conecta el cable de encendido (rojo) y el cable de la batería (amarillo) al chasis del automóvil (masa), podría producir un cortocircuito y esto a su vez, un incendio. Siempre conecte estos cables a la fuente de alimentación que pasa a través de la caja de fusibles.

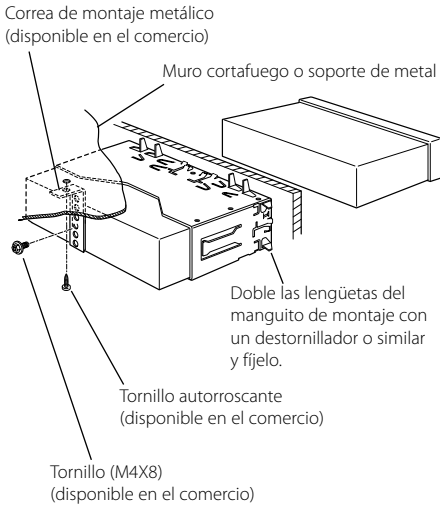


- Si no se enciende la alimentación (o está encendida pero se va a apagar inmediatamente), el cable de altavoz puede que haya sufrido un cortocircuito o haber tocado el chasis del vehículo y se haya activado la función de protección. Por esta razón, deberá comprobarse el cable de altavoz.
- Si el encendido de su automóvil no está provisto de la posición ACCESORIO (ACC), conecte los cables de encendido a una fuente de alimentación que pueda conectarse y desconectarse con la llave de encendido. Si conecta el cable de encendido a una fuente de alimentación que recibe un suministro constante de alimentación tales como los cables de la batería, la batería podría descargarse.
- Si la consola tiene una tapa, asegúrese de instalar la unidad de modo que la placa frontal no golpee la tapa al abrir y cerrar.
- Si se funde el fusible, en primer lugar asegúrese de que los cables no hayan causado un cortocircuito, y luego reemplace el fusible usado por otro del mismo régimen.
- Enrolle los cables no conectados con una cinta de vinilo u otro material similar para que queden aislados. Para evitar cortocircuitos, no retire las tapas de los extremos de los cables o terminales no conectados.
- Conecte los cables de los altavoces a cada uno de los terminales correspondientes. La conexión compartida de los cables ⊖ o la conexión a masa de los mismos a cualquier parte metálica del automóvil podrá dañar la unidad o impedir su correcto funcionamiento.
- Cuando se han conectado solamente dos altavoces al sistema, conecte los conectores ya sea a ambos terminales de salida delanteros, o a ambos terminales de salida traseros (o sea, no mezcle terminales delanteros y traseros). Por ejemplo, si conecta el conector ⊕ del altavoz izquierdo a un terminal de salida delantero, no conecte el conector ⊖ del altavoz derecho a un terminal de salida trasero.
- Después de instalar la unidad, compruebe que las lámparas de freno, las lámparas de destello, el limpiaparabrisas, etc. funcionen satisfactoriamente.
- Instale la unidad en un ángulo de 30° o menos.

Conexión de cables a los terminals



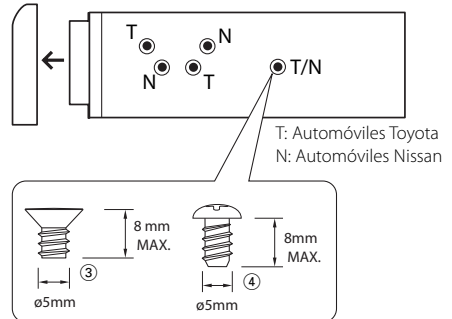
Automóviles no japoneses



- Asegúrese de que la unidad esté firmemente instalada en su lugar. Si está instalada en forma inestable, podrían ocurrir fallas de funcionamiento (p.ej., saltos de sonido).

Automóviles japoneses

- 1 Refiérase a la sección <Extracción del Marco de Goma Dura> (página 66) y retire el marco de goma dura.
- 2 Alinee los orificios de la unidad (dos lugares en cada lado) con la ménsula de montaje del vehículo y fije la unidad con los tornillos suministrados.



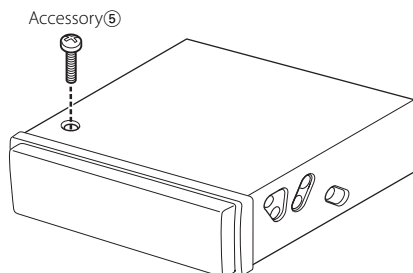
Accesorio③...para automóviles Nissan
Accesorio④...para automóviles Toyota



- Durante la instalación, no utilice otros tornillos que no sean los suministrados. El uso de tornillos diferentes podría causar daños en la unidad principal.
- El apriete excesivo utilizando un destornillador eléctrico o similar durante la instalación podrá ocasionar daños en el chasis.

Fijación de la placa frontal a la unidad

Si desea dejar firmemente sujeta la placa frontal a la unidad, enrosque el tornillo para metales entregado con la unidad en el orificio indicado abajo.

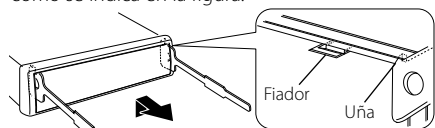


- No inserte nunca los tornillos en otro orificio de tornillo que no sea el especificado. Si los inserta en otro orificio, se contraerá y podrá ocasionar daños a las partes mecánicas del interior de la unidad.

Desmontaje de la unidad

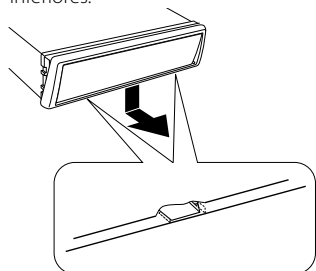
Extracción del Marco de Goma Dura

- 1 Enganche las clavijas de agarre en la herramienta de retirar y quite los dos enganches en el nivel superior. Suba el bastidor y tire de él hacia adelante tal como se indica en la figura.



Accesorio ②
Herramienta de extracción

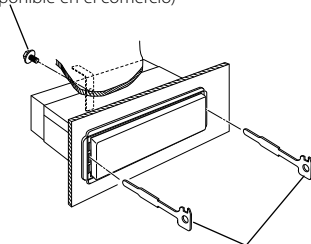
- 2 Al quitar el nivel superior, quite las dos posiciones inferiores.



- Se puede quitar el marco de la parte de abajo de la misma forma.

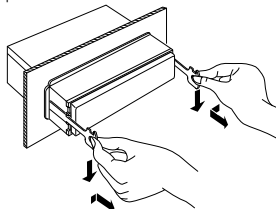
Desmontaje de la unidad

- 1 Refiérase a la sección <Extracción del Marco de Goma Dura> (página 66) y retire el marco de goma dura.
- 2 Quite el tornillo con arandela (M4x8) del panel posterior.
- 3 Inserte profundamente las dos herramientas de extracción en las ranuras de cada lado, tal como se muestra en la figura.
Tornillo (M4X8)
(disponible en el comercio)

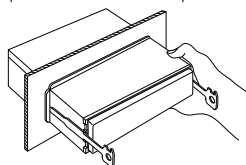


Accesorio ②
Herramienta de extracción

- 4 Mueva la herramienta de extracción hacia abajo, y extraiga la unidad hasta la mitad mientras presiona hacia adentro.



- Preste atención para no lastimarse con las uñas de la herramienta de extracción.
- 5 Termine de sacar la unidad con las manos, prestando atención para no dejarla caer.



Lo que podría parecer un fallo de funcionamiento de su unidad podría ser simplemente el resultado de un pequeño error de operación o de un defecto de conexión. Antes de acudir al servicio, verifique primero el siguiente cuadro sobre los problemas que se podrían presentar.

General

? No se puede conectar la alimentación.

- ✓ El fusible está fundido.
 - ☞ Después de verificar si hay cortocircuitos en los cables, reemplace el fusible por otro del mismo valor.
- ✓ El cable del altavoz se ha cortocircuitado o hace contacto con el chasis del vehículo, por lo que la función de protección se ha activado.
 - ☞ Ate o aisle el cable de altavoz debidamente y pulse el botón de reajuste.

? Hay una fuente que no se puede conmutar.

- ✓ No hay ningún medio insertado.
 - ☞ Ajuste los medios que desea escuchar. Si no hay ningún medio en esta unidad, no se puede conmutar a cada fuente.

? Se borra la memoria al desconectar el encendido.

- ✓ El encendido y el cable de la batería están incorrectamente conectados.
 - ☞ Conecte correctamente el cable, refiriéndose a la sección <Conexión de cables a los terminals>.

? La función del silenciador de TEL no se activa.

- ✓ El cable del silenciador de TEL no está conectado correctamente.
 - ☞ Conecte correctamente el cable, refiriéndose a la sección <Conexión de cables a los terminals>.

? La función del silenciador de TEL se activa aunque no está conectado el cable del silenciador de TEL.

- ✓ El cable del silenciador de TEL está haciendo contacto con una parte metálica del automóvil.
 - ☞ Separe el cable del silenciador de TEL de cualquier parte metálica del automóvil.

? Aún si la sonoridad esta activada, el tono agudo no se compensa.

- ✓ Se selecciona la fuente de sintonizador.
 - ☞ El tono agudo no se compensa cuando está la fuente de sintonizador.

? No se escucha el sonido, o el volumen es bajo.

- ✓ Las configuraciones de desvanecimiento o balance se ajustan todas hacia un lado.
 - ☞ Centre los ajustes de desvanecimiento y balance.
- ✓ Los cables de entrada/salida o el mazo de conductores están conectados incorrectamente.
 - ☞ Vuelva a conectar correctamente los cables de entrada/salida y/o el mazo de conductores. Consulte la sección de <Conexión de cables a los terminals>.
- ✓ Los valores de desviación de volumen son bajos.
 - ☞ Suba la compensación de Volumen, remitiéndose a la sección <Configuración de audio> (página 54).

? Calidad del sonido deficiente o distorsionada.

- ✓ Uno de los cables del altavoz está siendo apretado por uno de los tornillos del automóvil.
 - ☞ Verifique el conexionado del altavoz.
- ✓ Los altavoces no están conectados correctamente.
 - ☞ Vuelva a conectar los cables del altavoz de manera que cada terminal de salida quede conectado a un altavoz diferente.

Fuente de sintonizador

? Recepción de radio deficiente.

- ✓ No está extendida la antena del automóvil.
 - ☞ Extraiga completamente la antena.
- ✓ El cable de control de antena no está conectado.
 - ☞ Conecte correctamente el cable, refiriéndose a la sección <Conexión de cables a los terminals>.

Fuente de Disco

? No se reproduce el disco especificado, sino otro.

- ✓ El CD especificado está muy sucio.
 - ☞ Limpie el CD, refiriéndose a la sección <Limpieza de CD>.
- ✓ El disco está cargado en una ranura diferente de la especificada.
 - ☞ Saque el cartucho del disco y verifique el número del disco especificado.
- ✓ El disco está muy rayado.
 - ☞ Pruebe otro disco.

? El CD es expulsado en cuanto se lo carga.

- ✓ El CD está muy sucio.
 - ☞ Limpie el CD, refiriéndose a Limpieza de CDs de la sección <Acerca de los CDs> (página 51).

? No se puede extraer el disco.

- ✓ La causa de esto es que han transcurrido más de 10 minutos desde que el interruptor ACCESORIO (ACC) del automóvil fue desactivado.
 - ☞ El disco solo se puede extraer durante un término de 10 minutos después de que se ha desactivado el interruptor ACCESORIO (ACC). Si han transcurrido más de 10 minutos, active nuevamente el interruptor ACCESORIO (ACC) y pulse el botón Eject.

? El disco no se insertará.

- ✓ Existe ya otro disco insertado.
 - ☞ Pulse el botón [▲] y extraiga el disco.

? La Búsqueda directa no puede realizarse.

- ✓ Otra función se activa.
 - ☞ Desactive la reproducción aleatoria u otras funciones.

? No se puede realizar la búsqueda de pistas.

- ✓ Para los discos/carpetas primera o última canción.
 - ☞ Para cada disco/carpeta, la Búsqueda de pista no puede realizarse en dirección de retroceso para la primera canción o en dirección de avance para la última canción.

Los mensajes mostrados a continuación presentan las condiciones de su sistema.

- E-04: El CD está muy sucio. El CD está boca abajo. El CD está muy rayado.
☞ Limpie el CD y cárguelo correctamente.
- E-99: Por algún motivo, la unidad funciona en forma defectuosa.
☞ Pulse el botón de reinicio en la unidad. Si el código "E-99" no desaparece, consulte a su centro de servicio más cercano.
- IN (Parpadeo): La sección del reproductor de CD no está funcionando apropiadamente.
☞ Reinserte el CD. Si el CD no se puede expulsar o si la pantalla continua relampagueando aún cuando el CD ha sido reinsertado apropiadamente, por favor desactive la alimentación y consulte con su centro de servicios más cercano.

Especificaciones

Las especificaciones se encuentran sujetas a cambios sin previo aviso.

Sección del sintonizador de FM

- Gama de frecuencias (intervalo 200 kHz)
 - : 87,9 MHz – 107,9 MHz
- Sensibilidad útil (Relación señal/ruido = 30dB)
 - : 9,3 dBf (0,8 μ V/75 Ω)
- Sensibilidad de silenciamiento (Relación señal/ruido = 50dB)
 - : 15,2 dBf (1,6 μ V/75 Ω)
- Respuesta de frecuencia (\pm 3,0 dB)
 - : 30 Hz – 15 kHz
- Relación señal a ruido (MONO)
 - : 70 dB
- Selectividad (\pm 400 kHz)
 - : \geq 80 dB
- Separación estéreo (1 kHz)
 - : 40 dB

Sección del sintonizador de AM

- Gama de frecuencias (intervalo 10 kHz)
 - : 530 kHz – 1700 kHz
- Sensibilidad útil (Relación señal/ruido = 20dB)
 - : 28 dB μ (25 μ V)

Sección del disco compacto

- Diode láser
 - : GaAlAs
- Filtro digital (D/A)
 - : 8 veces sobremuestreo
- Convertidor D/A
 - : 1 Bit
- Velocidad de giro
 - : 500 – 200 rpm (CLV)
- Fluctuación y trémolo
 - : Menos del límite medible
- Respuesta de frecuencia (\pm 1 dB)
 - : 10 Hz – 20 kHz
- Distorsión armónica total (1 kHz)
 - : 0,01 %
- Relación señal a ruido (1 kHz)
 - : 93 dB
- Gama dinámica
 - : 93 dB
- Separación de canales
 - : 85 dB

Sección de audio

- Potencia máxima de salida
 - KDC-1028: 50 W x 4
 - KDC-128/128CR: 45 W x 4
- Potencia completa de todo el ancho de band (a menos del 1% THD)
 - : 22 W x 4
- Acción tonal
 - Graves : 100 Hz \pm 10 dB
 - Registro medio : 1 kHz \pm 10 dB
 - Agudos : 10 kHz \pm 10 dB
- Nivel de salida del preamplificador/carga (durante la reproducción del disco)
 - : 2000 mV/10 k Ω
- Impedancia de salida de preamplificador
 - : \leq 600 Ω

General

- Tensión de funcionamiento (11 – 16V admisibles)
 - : 14,4 V
- Consumo
 - : 10 A
- Tamaño de instalación (An x Al x F)
 - : 182 x 53 x 155 mm
 - 7-3/16 x 2-1/16 x 6-1/10 pulgada
- Peso
 - : 3,1 lbs (1,4 kg)

KENWOOD