

KENWOOD

KDC-X397
KDC-355U
KDC-255U
KDC-155U

KDC-MP255U
KDC-MP155U
KMR-355U

CD-RECEIVER
INSTRUCTION MANUAL
AMPLI-TUNER LECTEUR DE CD
MODE D'EMPLOI
REPRODUCTOR DE DISCOS COMPACTOS RECEPTOR DE FM/AM
MANUAL DE INSTRUCCIONES

JVC KENWOOD Corporation



Take the time to read through this instruction manual.

Familiarity with installation and operation procedures will help you obtain the best performance from your new CD-receiver.

For your records

Record the serial number, found on the back of the unit, in the spaces designated on the warranty card, and in the space provided below. Refer to the model and serial numbers whenever you call upon your Kenwood dealer for information or service on the product.

Model KDC-X397/ KDC-355U/ KDC-255U/ KDC-155U/ KDC-MP255U/ KDC-MP155U/ KMR-355U Serial number _____

US Residents Only

Register Online

Register your Kenwood product at www.Kenwoodusa.com

CONTENTS

BEFORE USE	2
BASICS	3
GETTING STARTED	4
RADIO	5
CD / USB / iPod	6
AUX	7
PANDORA® (for KDC-X397 / KDC-355U / KDC-255U / KDC-155U / KMR-355U)	8
SiriusXM™ (for KDC-X397 / KDC-355U / KMR-355U)	8
AUDIO SETTINGS	10
DISPLAY SETTINGS	11
MORE INFORMATION	11
TROUBLESHOOTING	12
SPECIFICATIONS	13
INSTALLATION / CONNECTION	14

How to read this manual

- Operations explained mainly using buttons on the faceplate.
- **[XX]** indicates the selected items.
- **(→ XX)** indicates references are available on the stated page number.

BEFORE USE

Warning

Do not operate any function that takes your attention away from safe driving.

Caution

Volume setting:

- Adjust the volume so that you can hear sounds outside the car to prevent accident.
- Lower the volume before playing digital sources to avoid damaging the speakers by the sudden increase of the output level.

General:

- Avoid using the USB device or iPod/iPhone if it might hinder driving safety.
- Make sure all important data has been backed up. We shall bear no responsibility for any loss of recorded data.
- Never put or leave any metallic objects (such as coins or metal tools) inside the unit, to prevent a short circuit.
- If a disc error occurs due to condensation on the laser lens, eject the disc and wait for the moisture to evaporate.

Remote control (RC-406):

- Do not leave the remote control in hot places such as on the dashboard.
- The Lithium battery is in danger of explosion if replaced incorrectly. Replace it only with the same or equivalent type.
- The battery pack or batteries shall not be exposed to excessive heat such as sunshine, fire or the like.
- Keep battery out of reach of children and in original package until ready to use. Dispose of used batteries promptly. If swallowed, contact a physician immediately.

CALIFORNIA, USA ONLY

This perchlorate WARNING applies only to the product sold or distributed in California USA "Perchlorate Material—special handling may apply, See www.dtsc.ca.gov/hazardouswaste/perchlorate."

Maintenance

Cleaning the unit: Wipe off dirt on the faceplate with a dry silicon or soft cloth.

Cleaning the connector: Detach the faceplate and clean the connector with a cotton swab gently, being careful not to damage the connector.

Handling discs:

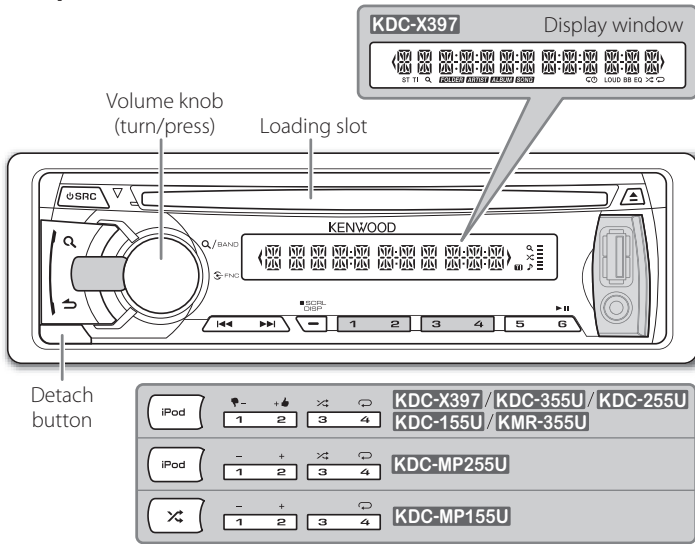
- Do not touch the recording surface of the disc.
- Do not stick tape etc. on the disc, or use a disc with tape stuck on it.
- Do not use any accessories for the disc.
- Clean from the center of the disc and move outward.
- Clean the disc with a dry silicon or soft cloth. Do not use any solvents.
- When removing discs from this unit, pull them out horizontally.
- Remove burrs from the center hole and disc edge before inserting a disc.



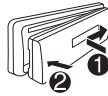
Connector (on the reverse side of the faceplate)

BASICS

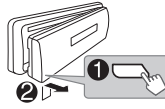
Faceplate



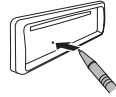
Attach



Detach



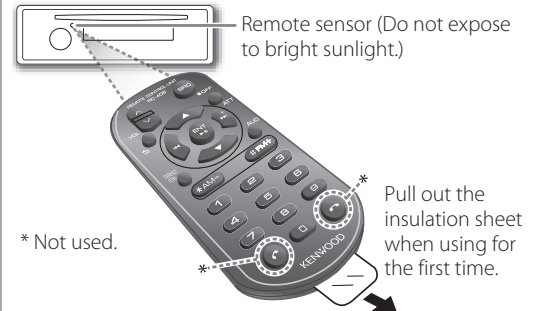
How to reset



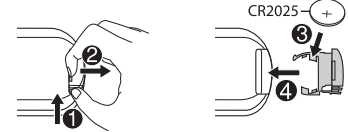
Your preset adjustments will also be erased.

Remote control (RC-406)

(not supplied for **KMR-355U**)



How to replace the battery

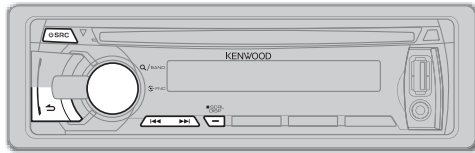


To	Do this (on the faceplate)	Do this (on the remote control)
Turn on the power	Press SRC . • Press and hold to turn off the power.*1	Press and hold SRC to turn off the power. (Pressing SRC does not turn on the power.)
Adjust the volume	Turn the volume knob.	Press VOL \wedge or VOL \vee . Press ATT during playback to attenuate the sound. • Press again to cancel.
Select a source	Press SRC repeatedly.	Press SRC repeatedly.
Change the display information*2	Press SCRL DISP repeatedly. • Press and hold to scroll the current display information.	(not available)

*1 For **KMR-355U**: The power will automatically turn off after 20 minutes when in standby mode (Auto Power Off).

*2 For **KDC-MP255U/ KDC-MP155U**: You can also select to turn off the display information by pressing **SCRL DISP** repeatedly.

GETTING STARTED



1 Cancel the demonstration

When you turn on the power (or after you reset the unit), the display shows: "CANCEL DEMO" → "PRESS" → "VOLUME KNOB"

- 1 Press the volume knob.
[YES] is selected for the initial setup.
- 2 Press the volume knob again.
"DEMO OFF" appears.

For **KMR-355U**, [DEMO OFF] is selected initially.

2 Set the clock

- 1 Press the volume knob to enter [FUNCTION].
- 2 Turn the volume knob to select [SETTINGS], then press the knob.
- 3 Turn the volume knob to select [CLOCK], then press the knob.
- 4 Press the volume knob to select [CLOCK ADJUST]/ [CLOCK ADJ].
- 5 Turn the volume knob to adjust the hour, then press the knob.
- 6 Turn the volume knob to adjust the minute, then press the knob.
Press ◀◀/▶▶ to move between the hour and minute adjustment.
- 7 Press and hold ↵ to exit.

(or)

Press and hold **SCRL DISP** to enter clock adjustment mode directly while in clock display screen.
Then, perform steps **5** and **6** above to set the clock.

3 Set the initial settings

- 1 Press **SRC** to enter [STANDBY].
- 2 Press the volume knob to enter [FUNCTION].
- 3 Turn the volume knob to select [INITIAL SET], then press the knob.
- 4 Turn the volume knob to make a selection (see the table below), then press the knob.
- 5 Press and hold ↵ to exit.

• To return to the previous hierarchy, press ↵.

Default: **XX**

PRESET TYPE	NORMAL/ NORM: Memorizes one station for each preset button in each band (FM1/ FM2/ FM3/ AM). ; MIX: Memorizes one station or SiriusXM channel for each preset button regardless of the selected band or SiriusXM channel.
KEY BEEP	ON: Activates the keypress tone. ; OFF: Deactivates.
PANDORA SRC	(Except for [KDC-MP255U]/ [KDC-MP155U]) ON: Enables PANDORA in source selection. ; OFF: Disables. (→ 8)
BUILT-IN AUX/ BUILTIN AUX	ON: Enables AUX in source selection. ; OFF: Disables. (→ 7)
CD READ	1: Automatically distinguishes between audio file disc and music CD. ; 2: Forces to play as a music CD. No sound can be heard if an audio file disc is played.
SWITCH PRE	(Except for [KDC-X397]/ [KDC-355U]) REAR/ SUB-W: Selects whether rear speakers or a subwoofer are connected to the line out terminals on the rear (through an external amplifier).
SP SELECT	OFF/ 5/4/ 6 × 9/6/ OEM: Selects according to the speaker size (5 inches or 4 inches, 6×9 inches or 6 inches) or OEM speakers for optimum performance.
F/W UPDATE	
F/W UP xx.xx	YES: Starts upgrading the firmware. ; NO: Cancels (upgrading is not activated). For details on how to update the firmware, see: www.kenwood.com/cs/ce/

RADIO



Search for a station

- 1 Press **SRC** to select TUNER.
- 2 Press **Q** repeatedly (or press ***AM-** / **#FM+** on RC-406) to select FM1/ FM2/ FM3/ AM.
- 3 Press **◀▶** to search for a station.
 - **To store a station:** Press and hold one of the number buttons (1 to 6).
 - **To select a stored station:** Press one of the number buttons (1 to 6)

Direct Access Tuning (using RC-406) (except for KMR-355U)

- 1 Press ***AM-** / **#FM+** to select a band.
- 2 Press **DIRECT** to enter Direct Access Tuning.
“- - - . -” (for FM) or “- - - -” (for AM) appears on the display.
- 3 Press the number buttons to enter a frequency.
- 4 Press **◀▶** (+) to search for a frequency.
 - To cancel, press **↵**.
 - If no operation is done for 10 seconds after step 3, Direct Access Tuning is automatically canceled.

Other settings

- 1 Press the volume knob to enter **[FUNCTION]**.
- 2 Turn the volume knob to select **[SETTINGS]**, then press the knob.
- 3 Turn the volume knob to make a selection (see the table on the right), then press the knob.
- 4 Press and hold **↵** to exit.

Default: **XX**

SEEK MODE Selects the tuning method for the **◀▶** buttons.
AUTO1: Automatically searches for a station. ; **AUTO2:** Searches for a preset station. ;
MANUAL: Manually search for a station.

AUTO MEMORY **YES:** Automatically starts memorizing 6 stations with good reception. ; **NO:** Cancels.
 (Selectable only if **[NORMAL]** / **[NORM]** is selected for **[PRESET TYPE]**.) (→ 4)

MONO SET **ON:** Improves the FM reception, but the stereo effect may be lost. ; **OFF:** Cancels.

For KDC-MP255U/ KDC-MP155U:

PTY SEARCH Selects the available Program Type (see below), then, press **◀▶** to start.

TI **ON:** Allows the unit to temporarily switch to Traffic Information. ; **OFF:** Cancels.

CLOCK

TIME SYNC **ON:** Synchronizes the unit's time to the Radio Broadcast Data System station time. ;
OFF: Cancels.

TUNER SET: Selectable only when the source is not TUNER.

TI **ON:** Allows the unit to temporarily switch to Traffic Information. ; **OFF:** Cancels.

• **[MONO SET]/ [PTY SEARCH]/ [TI]** is selectable only when the source is FM.

• Available Program Type:

SPEECH: **NEWS, INFORM** (information), **SPORTS, TALK, LANGUAGE, REL TALK** (religious talk), **PERSNLTY** (personality), **PUBLIC, COLLEGE, HABL ESP** (spanish talk), **MUSC ESP** (spanish music), **HIP HOP, WEATHER**

MUSIC: **ROCK, CLS ROCK** (classic rock), **ADLT HIT** (adult hits), **SOFT RCK** (softrock), **TOP 40, COUNTRY, OLDIES, SOFT, NOSTALGA** (nostalgia), **JAZZ, CLASSICL** (classical), **R & B** (rhythm and blues), **SOFT R&B** (soft rhythm and blues), **REL MUSC** (religious music)

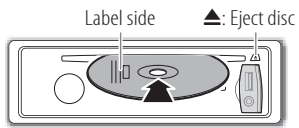
The unit will search for the Program Type categorized under **[SPEECH]** or **[MUSIC]** if selected.

• For **KDC-MP255U/ KDC-MP155U:** If the volume is adjusted during reception of traffic information or alarm, the adjusted volume is memorized automatically. It will be applied the next time traffic information or alarm function is turned on.

CD / USB / iPod

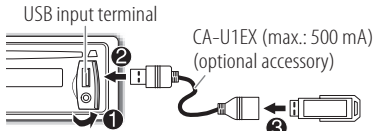
Start playback

CD



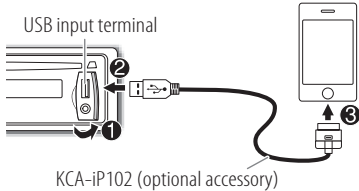
The source changes to CD and playback starts.

USB



The source changes to USB and playback starts.

iPod/iPhone (except for **KDC-MP155U**)



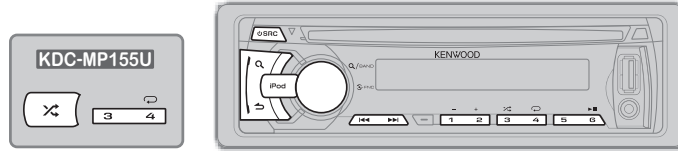
The source changes to iPod and playback starts.

Press and hold **iPod** to select the control mode while in iPod source.

MODE ON: From the iPod*1.

MODE OFF: From the unit.

*1 You can still control play/pause, file selection, fast-forward or reverse files from the unit.



✓ : Applicable
— : Not applicable

To	Do this	CD	USB	iPod
Pause or resume playback	Press 6 ► (or ENT ► on RC-406).	✓	✓	✓
Select a track/file	Press ◀◀ / ▶▶ (or ◀◀ / ▶▶ (+) on RC-406).	✓	✓	✓
Select a folder	Press 1 - / 2 + (or *AM- / #FM+ on RC-406).	✓*2	✓	—
Reverse/Fast-forward	Press and hold ◀◀ / ▶▶ (or ◀◀ / ▶▶ (+) on RC-406).	✓	✓	✓
Select a track/file from a list	<p>1 Press Q.</p> <p>2 Turn the volume knob to make a selection, then press the knob.</p> <ul style="list-style-type: none"> MP3/WMA file: Select the desired folder, then a file. iPod or KENWOOD Music Editor Light (KME Light)/ KENWOOD Music Control (KMC) file*4: Select the desired file from the list (PLAYLISTS, ARTISTS, ALBUMS, SONGS, PODCASTS*5, GENRES, COMPOSERS*5). <ul style="list-style-type: none"> To return to the root folder (or first file), press number button 5. To return to the previous hierarchy, press ◀. To cancel, press and hold ▶. 	✓	✓	✓*3
	<ul style="list-style-type: none"> To skip songs at a specific ratio, press ◀◀ / ▶▶ . (→ 7) 	—	✓*4	✓*3
Repeat play	<p>Press 4 ↻ repeatedly.</p> <ul style="list-style-type: none"> Audio CD: TRACK/ TRAC REPEAT, REPEAT OFF MP3/WMA file: FILE REPEAT, FOLDER/ FOLD REPEAT, REPEAT OFF iPod or KME Light/ KMC file: FILE REPEAT, REPEAT OFF 	✓	✓	✓*3
Random play	<p>Press 3 ⚡ or ⚡ repeatedly.</p> <ul style="list-style-type: none"> Audio CD: DISC RANDOM, RANDOM OFF MP3/WMA/iPod or KME Light/ KMC file: FOLDER/ FOLD RANDOM, RANDOM OFF <p>Press and hold 3 ⚡ or ⚡ to select "ALL RANDOM."</p>	✓	✓	✓*3

*2 Only for MP3/WMA files.

*3 Applicable only when **[MODE OFF]** is selected.

*4 Only for files registered in the database created with KME Light/ KMC. (→ **11**)

*5 Only for iPod.

Direct Music Search (using RC-406)(except for **KMR-355U**)

- 1 Press **DIRECT**.
 - 2 Press the number buttons to enter a track/file number.
 - 3 Press **◀◀ / ▶▶ (+)** to search for music.
- To cancel, press **↵**.
 - Not available if Random Play is selected.
 - Not applicable for iPod, KME Light/ KMC file. (→ 11)

Select a song by name(except for **KDC-MP155U**)

While listening to iPod...

- 1 Press **Q**.
 - 2 Turn the volume knob to select a category, then press the knob.
 - 3 Press **Q** again.
 - 4 Turn the volume knob to select the character to be searched for.
 - 5 Press **◀◀ / ▶▶** to move to the entry position. You can enter up to three characters.
 - 6 Press the volume knob to start searching.
 - 7 Turn the volume knob to make a selection, then press the knob.
- Repeat step 7 until the desired item is selected.
- To search for a character other than A to Z and 0 to 9, enter only "*".
 - To return to the previous hierarchy, press **↵**.
 - To return to the top menu, press number button **5**.
 - To cancel, press and hold **↵**.

Set the skip ratioWhile listening to iPod (except for **KDC-MP155U**) or KME Light/ KMC file...

- 1 Press the volume knob to enter **[FUNCTION]**.
- 2 Turn the volume knob to select **[SETTINGS]**, then press the knob.
- 3 Turn the volume knob to select **[SKIP SEARCH]**, then press the knob.
- 4 Turn the volume knob to make a selection, then press the knob.
0.5% (default)/ **1%**/ **5%**/ **10%**: Sets the skip ratio when searching for a song.
(Holding **◀◀ / ▶▶** skips songs at 10% regardless of the setting made.)
- 5 Press and hold **↵** to exit.

Muting upon the reception of a phone call

Connect the MUTE wire to your telephone using a commercial telephone accessory. (→ 15)

When a call comes in, "CALL" appears.

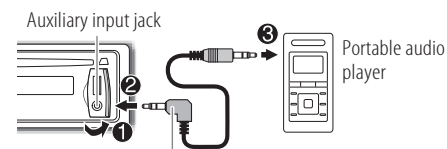
- The audio system pauses.
- To continue listening to the audio system during a call, press **⏻ SRC**. "CALL" disappears and the audio system resumes.

When the call ends, "CALL" disappears.

- The audio system resumes.

Preparation:Select **[ON]** for **[BUILT-IN AUX]** / **[BUILTIN AUX]**. (→ 4)**Start listening**

- 1 Connect a portable audio player (commercially available).



3.5 mm (1/8") stereo mini plug with "L" shaped connector (commercially available)

- 2 Press **⏻ SRC** to select AUX.
- 3 Turn on the portable audio player and start playback.

Set the AUX name

While listening to AUX...

- 1 Press the volume knob to enter **[FUNCTION]**.
- 2 Turn the volume knob to select **[SETTINGS]**, then press the knob.
- 3 Turn the volume knob to select **[AUX NAME SET]/ [AUX NAME]**, then press the knob.
- 4 Turn the volume knob to make a selection, then press the knob.
AUX (default)/ **DVD**/ **PORTABLE**/ **GAME**/ **VIDEO**/ **TV**
- 5 Press and hold **↵** to exit.

PANDORA® (for KDC-X397 / KDC-355U / KDC-255U / KDC-155U / KMR-355U)

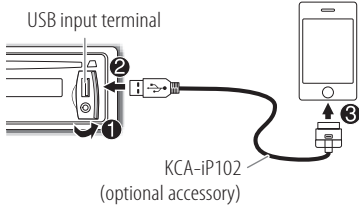
Preparation:

Install the latest version of the Pandora® application into your device (iPhone/ iPod touch), then log in and create an account with Pandora®.

- Select **[ON]** for **[PANDORA SRC]**. (→ 4)

Start listening

- 1 Open the Pandora® application on your device.
- 2 Connect your device to the USB input terminal.



The source changes to PANDORA and broadcast starts.

About Pandora® internet radio

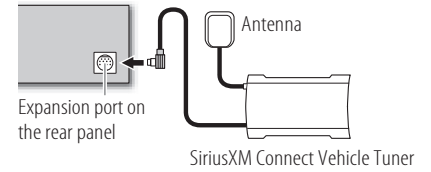
- Pandora® is only available in the US.
- Because Pandora® is a third-party service, the specifications are subject to change without prior notice. Accordingly, compatibility may be impaired or some or all of the services may become unavailable.
- Some functions of Pandora® cannot be operated from this unit.
- For issues using the application, please contact Pandora at pandora-support@pandora.com.
- If the version of the OS of the connected iPhone is earlier than 4.0, start the PANDORA internet radio application before selecting the PANDORA source.

To	Do this
Pause or resume playback	Press 6 ► (or press ENT ► on RC-406).
Thumbs up or thumbs down	Press 1 ↑ / 2 ↓ . • If thumbs down is selected, the current track is skipped.
Skip a track	Press ►▶ .
Create a new station	<ol style="list-style-type: none"> 1 Press and hold the volume knob. 2 Turn the volume knob to select [FROM TRACK] or [FROM ARTIST], then press the knob. A new station is created based on the current song or artist.
Save a station	<p>Press and hold number button 3, 4 or 5 to store.</p> <ul style="list-style-type: none"> • To select a stored station, press the same button (3, 4 or 5).
Search for a registered station	<ol style="list-style-type: none"> 1 Press Q. 2 Turn the volume knob to make a selection, then press the knob (or press ▲/▼ on RC-406). [BY DATE]: According to the registered date. [A-Z]: Alphabetical order. 3 Turn the volume knob to the desired station, then press the knob.

SiriusXM™ (for KDC-X397 / KDC-355U / KMR-355U)

Preparation:

- 1 Connect the optional SiriusXM Connect Vehicle Tuner (commercially available).



- 2 Activate the subscription through www.siriusxm.com/activatenow or call 1-866-635-2349. The Radio ID is required to activate the SiriusXM Connect Vehicle Tuner. The Radio ID is located on the label of the SiriusXM Connect Vehicle Tuner and can also be shown on the unit's display window when you select "Channel 0" after SiriusXM Connect Vehicle Tuner is connected.
- 3 Press **⏻ SRC** to select SIRIUS XM to start updating.

Start listening

- 1 Press **⏻ SRC** to select SIRIUS XM.
- 2 Press **Q** repeatedly to select a band.
- 3 Press and hold **Q**.
- 4 Turn the volume knob to select a category, then press the knob.
If "ALL CHANNEL" is selected, all the available channels will be shown.
- 5 Turn the volume knob to select a channel, then press the knob.
(or)
Press **◀◀ / ▶▶** to search for a channel manually.
• Pressing and holding **◀◀ / ▶▶** changes the channel rapidly.

If a locked channel or a mature channel (**[MATURE CH]** is set to **[ON]**) is selected, a pass code input screen appears. Enter the pass code to receive the channel.

- **To store a channel of the current band:** Press and hold one of the number buttons (1 to 6).
- **To select a stored channel of the current band:** Press one of the number buttons (1 to 6)

Direct Access Tuning (using RC-406) (except for **KMR-355U**)

- 1 Press **DIRECT** to enter Direct Access Tuning.
 - 2 Press the number buttons to enter a channel number, then press **◀/▶(+)** to start searching.
- To cancel, press **↶** or **DIRECT**.

Replay

Press **↶**.
Replay starts from the live position (and “**⏮**” lights up for **KDC-X397**).

During Replay...

- To pause or resume playback, press **6 ▶II**.
- To skip the current song backward/forward, press **◀/▶**.
- To rewind/fast-forward, press and hold **◀/▶**.
- To exit from Replay and go to live, press **↶**.

Other settings

- 1 Press the volume knob to enter **[FUNCTION]**.
- 2 Turn the volume knob to select **[SETTINGS]**, then press the knob.
- 3 Turn the volume knob to make a selection (see table on the right), then press the knob.
- 4 Press and hold **↶** to exit.

SEEK MODE

Selects the tuning method for the **◀/▶** buttons.

CHANNEL: Manually search for a channel. ; **PRESET:** Search for a preset channel of the selected band.

CHANNEL LOCK/ CH LOCK

To unlock settings:

- 1 Turn the volume knob to select a number.
- 2 Press **◀/▶** to move to the entry position.
- 3 Repeat steps 1 and 2 to enter the current pass code.
(Initial pass code is 0000.)
- 4 Press the volume knob to confirm.

CODE SET

- 1 Turn the volume knob to select a number.
- 2 Press **◀/▶** to move to the entry position.
- 3 Repeat steps 1 and 2 to enter a new 4-digit pass code.
- 4 Press the volume knob to confirm.
- 5 Repeat steps 1 to 4 to reconfirm the pass code.

- Make a note of the new pass code to enter channel lock settings from next time.

CHANNEL EDIT/CH EDIT *

- 1 Turn the volume knob to select a category, then press the knob.
- 2 Turn the volume knob to select a channel you want to lock, then press the knob. “L” appears in front of the channel number.
- 3 Press **↶** to exit.

CHANNEL CLEAR/CH CLEAR *

YES: Clears all the locked channels. ; **NO:** Cancels.

MATURE CH

ON: Turns on the Sirius XM-defined lock setting (mature channel). ; **OFF:** Turns off.
• If **[ON]** is selected, your setting (**CHANNEL EDIT/ CH EDIT**) is temporary ignored.

SIGNAL LEVEL/ SIGNAL LVL NO SIGNAL/ WEAK/ GOOD/ STRONG: Shows the strength of the current received signal.

BUFFER USAGE/ BUF USAGE 0% — 100% (0): Shows the memory usage for Replay buffer.

* Displayed only when **[MATURE CH]** is set to **[OFF]**.

AUDIO SETTINGS

While listening to any source...

- 1 Press the volume knob to enter **[FUNCTION]**.
 - 2 Turn the volume knob to select **[AUDIO CONTROL]/ [AUDIO CTRL]**, then press the knob.
 - 3 Turn the volume knob to make a selection (see the table below), then press the knob.
Repeat step 3 until the desired item is selected or activated.
 - 4 Press and hold **↵** to exit.
- To return to the previous hierarchy, press **↶**.

Default: **XX**

SUB-W LEVEL	-15 to +15 (0) : Adjusts the subwoofer output level.
BASS LEVEL	-8 to +8 (0) : Adjusts the level to memorize for each source. (Before making an adjustment, select the source you want to adjust.)
MID LEVEL	-8 to +8 (0) : Adjusts the level to memorize for each source. (Before making an adjustment, select the source you want to adjust.)
TRE LEVEL	-8 to +8 (0) : Adjusts the level to memorize for each source. (Before making an adjustment, select the source you want to adjust.)
EQ PRO (for KDC-X397)	
BASS ADJUST	BASS CTR FRQ 60/ 80/ 100/ 200 : Selects the center frequency.
	BASS LEVEL -8 to +8 (0) : Adjusts the level.
	BASS Q FACTOR 1.00/ 1.25/ 1.50/ 2.00 : Adjusts the quality factor.
	BASS EXTEND ON : Turns on the extended bass. ; OFF : Cancels.
MID ADJUST	MID CTR FRQ 0.5K/ 1.0K/ 1.5K/ 2.5K : Selects the center frequency.
	MID LEVEL -8 to +8 (0) : Adjusts the level.
	MID Q FACTOR 0.75/ 1.00/ 1.25 : Adjusts the quality factor.
TRE ADJUST	TRE CTR FRQ 10.0K/ 12.5K/ 15.0K/ 17.5K : Selects the center frequency.
	TRE LEVEL -8 to +8 (0) : Adjusts the level.
PRESET EQ	NATURAL/ USER/ ROCK/ POPS/ EASY/ TOP40/ JAZZ/ POWERFUL : Selects a preset equalizer suitable to the music genre. (Select [USER] to use the customized bass, middle, and treble settings.)
BASS BOOST	B.BOOST LV1/ B.BOOST LV2/ B.BOOST LV3 : Selects your preferred bass boost level. ; OFF : Cancels.

LOUDNESS	LOUDNESS LV1/ LOUD LV1/ LOUDNESS LV2/ LOUD LV2 : Selects your preferred low and high frequencies boost to produce a well-balanced sound at a low volume level. ; OFF : Cancels.
BALANCE	L15 to R15 (0) : Adjusts the left and right speaker output balance.
FADER	R15 to F15 (0) : Adjusts the rear and front speaker output balance.
SUBWOOFER SET/ SUB-W SET	ON : Turns on the subwoofer output. ; OFF : Cancels.

DETAILED SET/ DETAIL SET

HPF	For KDC-X397/ KDC-355U : THROUGH : All signals are sent to the speakers. ; 100HZ/ 120HZ/ 150HZ : Audio signals with frequencies higher than 100 Hz/ 120 Hz/ 150 Hz are sent to the speakers.
LPF SUBWOOFER/ LPF SUB-W	THROUGH : All signals are sent to the subwoofer. ; 85HZ/ 120HZ/ 160HZ : Audio signals with frequencies lower than 85 Hz/ 120 Hz/ 160 Hz are sent to the subwoofer.
SUB-W PHASE	REVERSE/ REV (180°)/ NORMAL/ NORM (0°) : Selects the phase of the subwoofer output to be in line with the speaker output for optimum performance. (Selectable only if a setting other than [THROUGH] is selected for [LPF SUBWOOFER]/ [LPF SUB-W] .)
SUPREME SET	ON : Creates realistic sound by interpolating the high-frequency components that are lost in MP3/WMA audio compression. ; OFF : Cancels. (Selectable only when playing back an MP3/WMA disc or a USB device, except iPhone/iPod.)
VOLUME OFFSET/ VOL OFFSET (Default: 0)	-8 to +8 (for AUX) ; -8 to 0 (for other sources): Presets the volume adjustment level of each source. (Before adjustment, select the source you want to adjust.)

For **KDC-255U/ KDC-155U/ KDC-MP255U/ KDC-MP155U/ KMR-355U**:

- **[SUB-W LEVEL]/ [SUB-W SET]/ [LPF SUB-W]/ [SUB-W PHASE]** is selectable only if **[SWITCH PRE]** is set to **[SUB-W]**. (→ 4)
- **[SUB-W LEVEL]/ [LPF SUB-W]/ [SUB-W PHASE]** is selectable only if **[SUB-W SET]** is set to **[ON]**.

DISPLAY SETTINGS

- 1 Press the volume knob to enter [FUNCTION].
 - 2 Turn the volume knob to select [SETTINGS], then press the knob.
 - 3 Turn the volume knob to make a selection (see the table below), then press the knob.
Repeat step 3 until the desired item is selected or activated.
 - 4 Press and hold **↵** to exit.
- To return to the previous hierarchy, press **↵**.

Default: **XX**

DISP & KEY (for KDC-X397 / KDC-355U / KDC-255U / KDC-MP255U)	
COLOR SELECT/ COLOR SEL	VARIABLE SCAN/ VARI SCAN/ COLOR 01 — COLOR 24/ USER : Selects your preferred key illumination color. You can create your own color (when [COLOR 01] — [COLOR 24] or [USER] is selected). The color you have created can be selected when you select [USER]. <ol style="list-style-type: none"> 1 Press and hold the volume knob to enter the detailed color adjustment. 2 Press ◀◀/ ▶▶ to select the color (R/ G/ B) to adjust. 3 Turn the volume knob to adjust the level (0 — 9), then press the knob.
DISP DIMMER	ON : Dims the display illumination. ; OFF : Cancels.
TEXT SCROLL	AUTO/ ONCE : Selects whether to scroll the display information automatically, or scroll only once. ; OFF : Cancels.
KEY DIMMER	DIMMER LV1 : Dims the key illumination. ; DIMMER LV2 : Dims the key illumination darker than DIMMER LV1 . ; DIMMER OFF : Cancels.
DISPLAY (for KDC-155U / KDC-MP155U / KMR-355U)	
DISP DIMMER	ON : Dims the display illumination. ; OFF : Cancels.
TEXT SCROLL	AUTO/ ONCE : Selects whether to scroll the display information automatically, or scroll only once. ; OFF : Cancels.

MORE INFORMATION

General

- This unit can only play the following CDs:



- Detailed information and notes about the playable audio files are stated in an online manual on the following site:
www.kenwood.com/cs/ce/audiofile/

Playable files

- Playable Audio file: MP3 (.mp3), WMA (.wma)
 - Playable disc media: CD-R/RW/ROM
 - Playable disc file formats: ISO 9660 Level 1/2, Joliet, Romeo, Long file name.
 - Playable USB device file system: FAT16, FAT32
- Although the audio files are complied with the standards listed above, playback maybe impossible depending on the types or conditions of media or device.

Unplayable discs

- Discs that are not round.
- Discs with coloring on the recording surface or discs that are dirty.
- Recordable/ReWritable discs that have not been finalized.
- 8 cm CD. Attempting to insert using an adapter may cause malfunction.

About USB devices

- This unit can play MP3/WMA files stored on a USB mass storage class device.
- You cannot connect a USB device via a USB hub and Multi Card Reader.
- Connecting a cable whose total length is longer than 5 m may result in abnormal playback.
- This unit cannot recognize a USB device whose rating is other than 5 V and exceeds 1 A.

About iPod/iPhone

Made for

- iPod touch (1st, 2nd, 3rd, and 4th generation)
 - iPod classic
 - iPod with video
 - iPod nano (1st, 2nd, 3rd, 4th, 5th, and 6th generation)
 - iPhone, iPhone 3G, 3GS, 4, 4S
- For the latest compatible list and software versions of iPhone/iPod, see: www.kenwood.com/cs/ce/ipod
 - If you start playback after connecting the iPod, the music that has been played by the iPod is played first.
In this case, "RESUMING" is displayed without displaying a folder name, etc. Changing the browse item will display the correct title, etc.
 - You cannot operate iPod if "KENWOOD" or "✓" is displayed on iPod.

About "KENWOOD Music Editor Light" and "KENWOOD Music Control"

- This unit supports the PC application "KENWOOD Music Editor Light" and Android™ application "KENWOOD Music Control."
- When you use an audio file with database information added using the "KENWOOD Music Editor Light" or "KENWOOD Music Control," you can search for a file by title, album or artist name using Music Search.
- "KENWOOD Music Editor Light" and "KENWOOD Music Control" are available from the following web site:
www.kenwood.com/cs/ce/

TROUBLESHOOTING

Symptom	Remedy
Sound cannot be heard.	<ul style="list-style-type: none"> Adjust the volume to the optimum level. Check the cords and connections.
"PROTECT" appears and no operations can be done.	Check to be sure the terminals of the speaker wires are insulated properly, then reset the unit. If this does not solve the problem, consult your nearest service center.
<ul style="list-style-type: none"> Sound cannot be heard. The unit does not turn on. Information shown on the display is incorrect. 	Clean the connectors. (→ 2)
The unit does not work at all.	Reset the unit. (→ 3)
For [KMR-355U]: The Auto Power Off function (that turns the power off after 20 minutes when in standby mode) does not work.	Make sure [OFF] is selected for [DEMO MODE]. (→ 4)
<ul style="list-style-type: none"> Radio reception is poor. Static noise while listening to the radio. 	<ul style="list-style-type: none"> Connect the antenna firmly. Pull the antenna out all the way.
"NA FILE" appears.	Make sure the disc contains supported audio files. (→ 11)
"NO DISC" appears.	Insert a playable disc into the loading slot.
"TOC ERROR" appears.	Make sure the disc is clean and inserted properly.
"PLS EJECT" appears.	Reset the unit. If this does not solve the problem, consult your nearest service center.
Disc cannot be ejected.	Press and hold ▲ to forcibly eject the disc. Be careful not to drop the disc when it is ejected. If this does not solve the problem, reset the unit. (→ 3)
"READ ERROR" appears.	Copy the files and folders onto the USB device again. If this does not solve the problem, reset the USB device or use another USB device.
"NO DEVICE" appears.	Connect a USB device, and change the source to USB again.
"COPY PRO" appears.	A copy-protected file is played.
"NO MUSIC" appears.	Connect a USB device that contains playable audio files.
"NA DEVICE" appears.	Connect a supported USB device, and check the connections.
"USB ERROR" appears.	<ul style="list-style-type: none"> Remove the USB device, turn the unit off, then turn it on again. Try to connect another USB device.

Symptom	Remedy	
"iPod ERROR" appears.	<ul style="list-style-type: none"> Reconnect the iPod. Reset the iPod. 	
Noise is generated.	Skip to another track or change the disc.	
Tracks do not play back as you have intended them to play.	Playback order is determined when files are recorded.	
"READING" keeps flashing.	Do not use too many hierarchical levels or folders.	
Elapsed playing time is not correct.	This is caused by how the tracks are recorded.	
The number of songs contained in the "SONGS" category of this unit is different from the iPod/iPhone.	Podcast files are not counted on this unit as this unit does not support the playback of podcast files.	
Correct characters are not displayed (e.g. album name).	This unit can only display uppercase letters, numbers, and a limited number of symbols.	
Pandora®	<ul style="list-style-type: none"> "ADD ERROR"/ "ADD ERR" "SEARCH ERROR"/ "SEARCH ERR" 	New station creation is unsuccessful.
	"CHECK DEVICE"/ "CHK DEVICE"	Check the Pandora® application on your device.
	"NO SKIPS"	The skip limit has been reached.
	"NO STATIONS"	No station is found.
	"STATION LIMIT"/ "STATION LIM"	The number of registered stations has reached its limit. Retry after deleting an unnecessary station on your device.
	"UPGRADE APP"	Make sure you have installed the latest version of the Pandora® application on your device.
SiriusXM™	"CH LOCKED"	The selected channel is locked. Enter the correct pass code to unlock. (→ 9)
	"CHAN UNSUB"	The selected channel is unsubscribed. Call 1-866-635-2349 to subscribe.
	"CHAN UNAVAIL"	The selected channel is unavailable.
	"CHECK ANTENNA"/ "CHK ANTENNA"	Check the antenna and its connection are in good condition.
	"CHECK TUNER"	Make sure the SiriusXM Connect Vehicle Tuner is connected to the unit.
	"NO SIGNAL"	Make sure the antenna is mounted outside the vehicle.
	"SUBSCRIPTION UPDATED – ENTER TO CONTINUE." / "SUBSCRIPTN UPDATED – ENTER TO CONTINUE."	Your subscription is updated. Press the volume knob to continue.
"WRONG CODE"	Make sure you have entered the correct pass code. (→ 9)	

SPECIFICATIONS

Tuner	FM Frequency Range	For KDC-X397 / KDC-355U / KDC-255U / KDC-155U / KMR-355U : 87.9 MHz to 107.9 MHz (200 kHz space)
		For KDC-MP255U / KDC-MP155U : 87.5 MHz to 108.0 MHz (50 kHz space)
	Usable Sensitivity (S/N = 26 dB)	11.2 dBf (1.0 μV/75 Ω)
	Quieting Sensitivity (DIN S/N = 46 dB)	19.2 dBf (2.5 μV/75 Ω)
	Frequency Response (±3 dB)	30 Hz to 15 kHz
	Signal-to-Noise Ratio (MONO)	63 dB
	Stereo Separation (1 kHz)	40 dB
AM	Frequency Range	530 kHz to 1 700 kHz (10 kHz space)
	Usable Sensitivity (S/N = 20 dB)	31 dBμ (36 μV)
CD player	Laser Diode	GaAlAs
	Digital Filter (D/A)	8 times over sampling
	D/A Converter	24 Bit
	Spindle Speed	500 rpm to 200 rpm (CLV)
	Wow & Flutter	Below measurable limit
	Frequency Response (±1 dB)	20 Hz to 20 kHz
	Total Harmonic Distortion (1 kHz)	0.01 %
	Signal-to-Noise Ratio (1 kHz)	For KDC-X397 : 110 dB For KDC-355U / KDC-255U / KDC-155U / KDC-MP255U / KDC-MP155U / KMR-355U : 105 dB
	Dynamic Range	90 dB
	MP3 Decode	Compliant with MPEG-1/2 Audio Layer-3
WMA Decode	Compliant with Windows Media Audio	

USB	USB Standard	USB 1.1, USB 2.0 (Full speed)	
	Maximum Supply Current	DC 5 V --- 1 A	
	File System	FAT16/ 32	
	MP3 Decode	Compliant with MPEG-1/2 Audio Layer-3	
WMA Decode	Compliant with Windows Media Audio		
Audio	Maximum Output Power	50 W × 4	
	Full Bandwidth Power	22 W × 4 (at less than 1 % THD)	
	Speaker Impedance	4 Ω to 8 Ω	
	Tone Action	Bass	100 Hz ±8 dB
		Middle	1 kHz ±8 dB
		Treble	12.5 kHz ±8 dB
	Preout Level / Load (CD)	For KDC-X397 : 4 000 mV/10 kΩ For KDC-355U / KDC-255U / KDC-155U / KDC-MP255U / KDC-MP155U / KMR-355U : 2 500 mV/10 kΩ	
	Preout Impedance	≤ 600 Ω	
	Auxiliary	Frequency Response (±3 dB)	20 Hz to 20 kHz
		Input Maximum Voltage	1 200 mV
Input Impedance		10 kΩ	
General	Operating Voltage	14.4 V (11 V to 16 V allowable)	
	Maximum Current Consumption	10 A	
	Installation Size (W × H × D)	182 mm × 53 mm × 160 mm (7-3/16" × 2-1/8" × 6-5/16")	
	Weight	2.65 lbs (1.2 kg)	

Subject to change without notice.

⚠ Warning

- The unit can only be used with a 12 V DC power supply, negative ground.
- Disconnect the battery's negative terminal before wiring and mounting.
- Do not connect Battery wire (yellow) and Ignition wire (red) to the car chassis or Ground wire (black) to prevent a short circuit.
- Insulate unconnected wires with vinyl tape to prevent a short circuit.
- Be sure to ground this unit to the car's chassis again after installation.

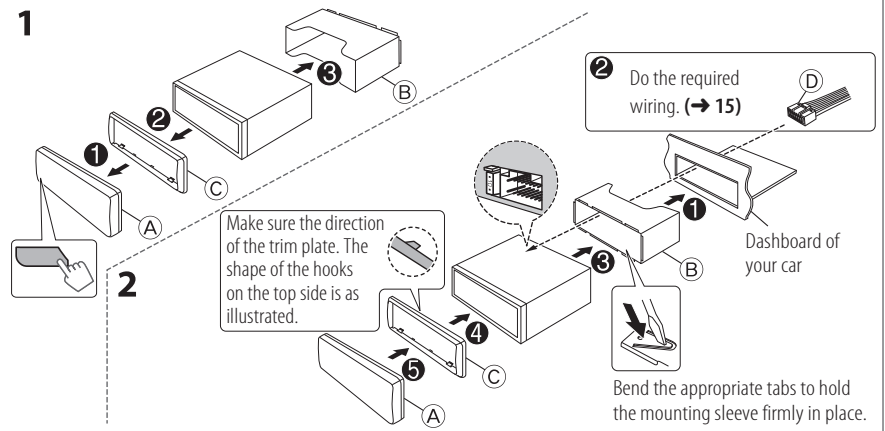
⚠ Caution

- For safety's sake, leave wiring and mounting to professionals. Consult the car audio dealer.
- Install this unit in the console of your vehicle. Do not touch the metal parts of this unit during and shortly after use of the unit. Metal parts such as the heat sink and enclosure become hot.
- Do not connect the \ominus wires of speaker to the car chassis, Ground wire (black), or in parallel.
- Mount the unit with the angle of 30° or less.
- If your vehicle wiring harness does not have the ignition terminal, connect Ignition wire (red) to the terminal on the vehicle's fuse box which provides 12 V DC power supply and is turned on and off by the ignition key.
- After the unit is installed, check whether the brake lamps, blinkers, wipers, etc. on the car are working properly.
- If the fuse blows, first make sure the wires are not touching car's chassis, then replace the old fuse with one that has the same rating.

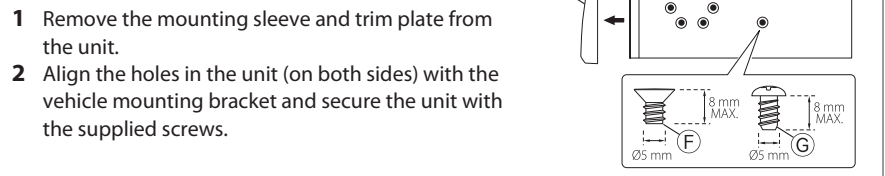
Basic procedure

- 1 Remove the key from the ignition switch, then disconnect the \ominus terminal of the car battery.**
- 2 Connect the wires properly.**
See Wiring connection. (→ 15)
- 3 Install the unit to your car.**
See Installing the unit (in-dash mounting).
- 4 Connect the \ominus terminal of the car battery.**
- 5 Reset the unit. (→ 3)**

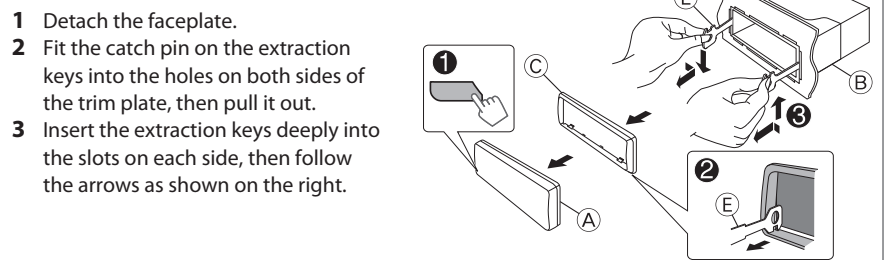
Installing the unit (in-dash mounting)



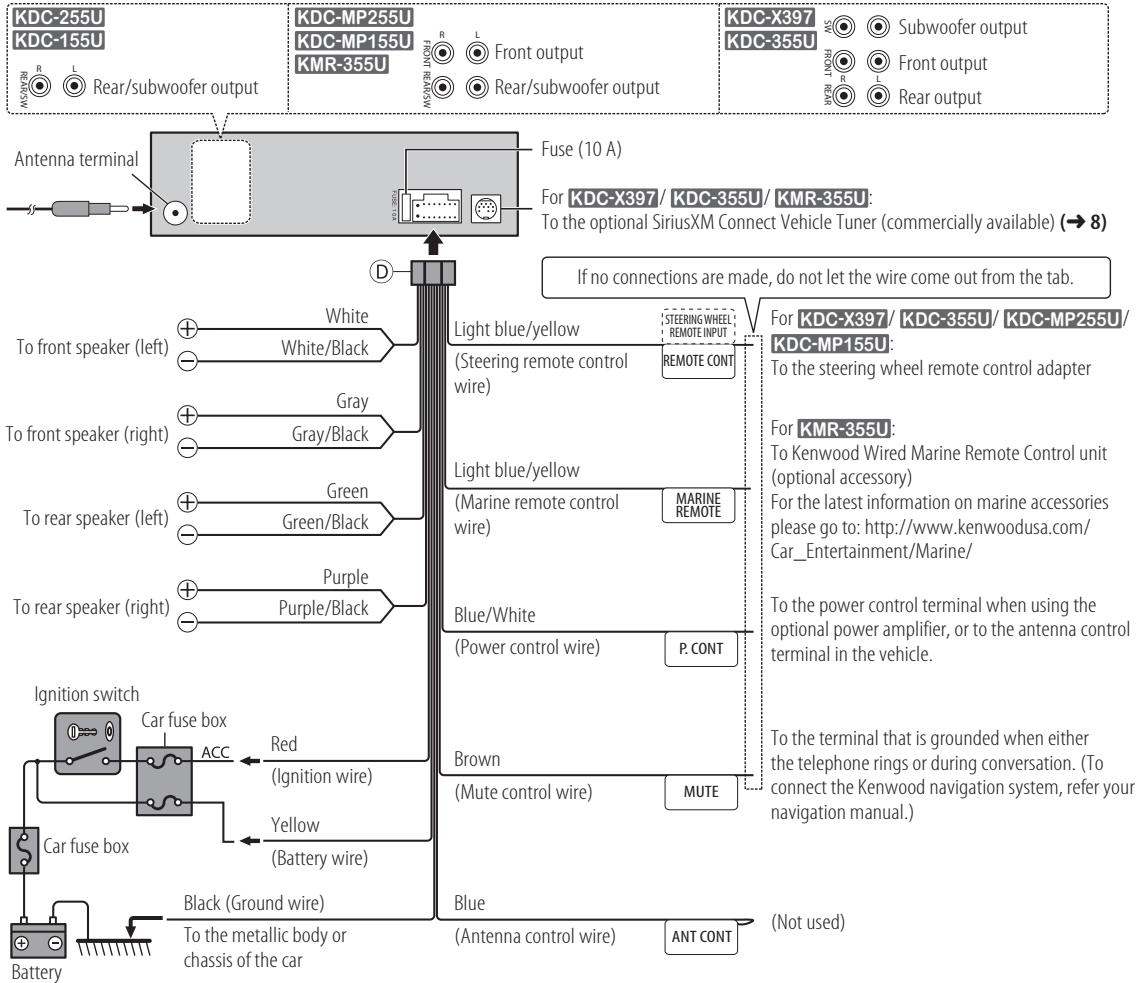
When installing without the mounting sleeve



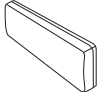
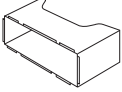
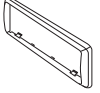
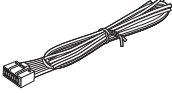
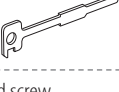


How to remove the unit



Wiring connection



Part list for installation

- A Faceplate  (×1)
- B Mounting sleeve  (×1)
- C Trim plate  (×1)
- D Wiring harness  (×1)
- E Extraction key  (×2)
- F Flat head screw  (×4)
- G Round head screw  (×4)

CAUTION

Use of controls or adjustments or performance of procedures other than those specified herein may result in hazardous radiation exposure. In compliance with Federal Regulations, following are reproductions of labels on, or inside the product relating to laser product safety.

JVC KENWOOD Corporation
2967-3, ISHIKAWA-MACHI,
HACHIOJI-SHI, TOKYO, JAPAN

THIS PRODUCT COMPLIES WITH DHHS RULES 21CFR
SUBCHAPTER J IN EFFECT AT DATE OF MANUFACTURE.

Location : Top Plate

FCC WARNING

This equipment may generate or use radio frequency energy. Changes or modifications to this equipment may cause harmful interference unless the modifications are expressly approved in the instruction manual. The user could lose the authority to operate this equipment if an unauthorized change or modification is made.

FCC NOTE

This equipment has been tested and found to comply with the limits for a Class B digital device, pursuant to Part 15 of the FCC Rules. These limits are designed to provide reasonable protection against harmful interference in a residential installation. This equipment may cause harmful interference to radio communications, if it is not installed and used in accordance with the instructions. However, there is no guarantee that interference will not occur in a particular installation. If this equipment does cause harmful interference to radio or television reception, which can be determined by turning the equipment off and on, the user is encouraged to try to correct the interference by one or more of the following measures:

- Reorient or relocate the receiving antenna.
- Increase the separation between the equipment and receiver.
- Connect the equipment into an outlet on a circuit different from that to which the receiver is connected.
- Consult the dealer or an experienced radio/TV technician for help.

- "Made for iPod," and "Made for iPhone" mean that an electronic accessory has been designed to connect specifically to iPod, or iPhone, respectively, and has been certified by the developer to meet Apple performance standards. Apple is not responsible for the operation of this device or its compliance with safety and regulatory standards. Please note that the use of this accessory with iPod or iPhone may affect wireless performance.
- iPhone, iPod, iPod classic, iPod nano, and iPod touch are trademarks of Apple Inc., registered in the U.S. and other countries.
- Pandora, the Pandora logo, and the Pandora trade dress are trademarks or registered trademarks of Pandora Media, Inc., used with permission.
- Sirius, XM and all related marks and logos are trademarks of Sirius XM Radio Inc. All rights reserved.
- Android is trademark of Google Inc.

Información acerca de la eliminación de equipos eléctricos y electrónicos al final de la vida útil (aplicable a los países que hayan adoptado sistemas independientes de recogida de residuos)

Los productos con el símbolo de un contenedor con ruedas tachado no podrán ser desechados como residuos domésticos. Los equipos eléctricos y electrónicos al final de la vida útil, deberán ser reciclados en instalaciones que puedan dar el tratamiento adecuado a estos productos y a sus subproductos residuales correspondientes. Póngase en contacto con su administración local para obtener información sobre el punto de recogida más cercano. Un tratamiento correcto del reciclaje y la eliminación de residuos ayuda a conservar los recursos y evita al mismo tiempo efectos perjudiciales en la salud y el medio ambiente.


Information on Disposal of Old Electrical and Electronic Equipment (applicable for countries that have adopted separate waste collection systems)

Products with the symbol (crossed-out wheeled bin) cannot be disposed as household waste. Old electrical and electronic equipment should be recycled at a facility capable of handling these items and their waste byproducts. Contact your local authority for details in locating a recycle facility nearest to you. Proper recycling and waste disposal will help conserve resources whilst preventing detrimental effects on our health and the environment.

Warranty Card

KENWOOD

Identification du produit
Modelo do aparelho e numero de série
Model number & serial number

Revendeur & cachet
Nome da loja e carimbo
Dealer & stamp

Date d'achat
Data da compra
Purchase date

Nom & adresse du client
Nome e endereço do cliente
Name & address of customer

Attention:

This card and receipt (or invoice) are necessary to purchase a new panel in case of theft or damage.

Attention:

Vous aurez besoin de cette carte et du reçu (ou de la facture) pour acheter un nouveau panneau en cas de vol ou d'endommagement.

Atenção:

Em caso de dano ou perda do painel frontal, este Certificado de Garantia e a Nota Fiscal de compra serão requisitados para a aquisição de um novo painel.

© B46-0824-00/01 (K) (12/07)

MILITARY

Units purchased through the U.S.A. military exchange service overseas may be serviced under warranty in the continental U.S.A., subject to the following conditions.

- 1) The original warranty is in effect.
- 2) Proof of purchase is provided to the servicer.

WARRANTY FOR MILITARY MARKET

Kenwood Corporation is proud of the quality and workmanship of its audio equipment. This unit has been properly designed, tested and inspected before it was shipped to you. If properly installed and operated in accordance with instructions furnished, it should give you an optimum reliable performance.

WARRANTY PERIOD

This product is warranted for a period of (1) year from the date of the original purchase.

SCOPE OF WARRANTY

Except as specified below, this warranty covers all defects in materials and workmanship of the Kenwood brand products.

During the warranty period, any authorized Kenwood Service Center in the military market listed in the back of this warranty card will provide you free-of-charge both parts and labor required to correct any defect in materials or workmanship.

The following are not covered by this warranty.

1. Voltage conversions.
2. Periodic check-ups which do not disclose any defect covered by the warranty.
3. Cabinets, grilles, other exterior finishes, belts, tape heads, and other non-durable parts and accessories.
4. Units on which the serial number has been effaced, modified or removed.
5. Installation and/or removal charges.
6. Damaged magnetic tapes.
7. House call charges for any repairs.
8. Shipping or delivery charges to or from an authorized Kenwood Service Center.

9. This warranty will not cover any failure that is due to any of the following conditions in accordance with the visual inspection of the authorized Kenwood Service Center:

- * Improper maintenance or repair, including the installation of parts or accessories that do not conform to the quality and specifications of the original parts.
- * Misuse, abuse, neglect, unauthorized product modification or failure to follow instructions contained in the Owner's Manual.
- * Accidental or intentional damages.
- * Repairs or attempted repairs by an unauthorized agency. (All repairs must be performed at an authorized Kenwood Service Center.)
- * Damages or deteriorations caused during shipment (Claims must be presented to the carrier).
- * Damages or deteriorations resulting from removal and/or replacement.

PURCHASER'S RESPONSIBILITIES

As the purchaser of a new Kenwood brand product, you are requested to do the following in order to obtain Kenwood warranty service.

1. Retain your sales slip or other evidence of purchase for proving your eligibility for requesting Kenwood warranty service.
2. Make your unit available to an authorized Kenwood Service Center in the military market for inspection and approved warranty service, or ship your unit in its original carton box or equivalent, fully insured and shipping charges prepaid, to the authorized Kenwood Service Center.

LIMITATION OF IMPLIED WARRANTIES

Any and all implied warranties, including warranties of merchantability and fitness for a particular purpose, shall be limited in duration to the length of this warranty.

EXCLUSION OF CERTAIN DAMAGES

KENWOOD's liability for any defective product is limited to the repair or replacement of said product, at our option, and shall not include damages of any kind, whether incidental, consequential or otherwise, except to the extent prohibited by applicable law.

KENWOOD AUTHORIZED SERVICE CENTERS IN MILITARY MARKET

JAPAN:

Yokota
Kenwood Rep.; c/o
Yokota BX, JAAX AAFES-PAC,
APO San Francisco 96328

Zama

Kenwood Rep.; c/o
Zama PX, JAAX AAFES-PAC,
APO San Francisco 96343

Misawa

Kenwood Rep.; c/o
Misawa BX, JAAX AAFES-PAC,
APO San Francisco 96519

Yokosuka

Kenwood Rep.; c/o
A-33, Yokosuka NEX No. 260-010
FPO Seattle 98760

Atsugi

Kenwood Rep.; c/o
Atsugi NEX No. 260-020 FPO Seattle
98767

Iwakuni

Kenwood Rep.; c/o
Marine Corps Exchange, Marine Corps
Air Station,
FPO Seattle 98764

Sasebo

Sasebo NEX;
Navy Exchange 260-040
F.A. Box 115 FPO Seattle 98766

Okinawa

Kenwood Rep.; c/o
OWAX, AAFES-PAC, APO San Francisco
96230

KOREA:

Kenwood Rep.; c/o
KOAX Repair Shop, AAFES-PAC
DD-Camp Market, APO San Francisco
96488

GUAM:

Kenwood Rep.; c/o
Guam NEX No. 230-010,
FPO San Francisco 96630
Kenwood Rep.; c/o
GUAX, AAFES-PAC, APO San Francisco
96334

U.S.A.:

Hawaii

Kenwood Factory Service
99-994 Iwaena St., Aiea, Hawaii 96701

Alaska

Vista Radio TV;
861 East Loop Road, Anchorage, Alaska
99501
Anchorage Commercial Electronics, Inc.;
1450 East 9th Ave., Anchorage, Alaska
99501

In The Continental U.S.A.

For Nearest Authorized Service Center;
Tel: 1-800-536-9663

Kenwood Service U.S.A.

Kenwood Factory Service;
P.O. Box 22745, 2201 East Dominguez
Street,
Long Beach, California 90801-5745
Tel: (310) 639-5300

EUROPE:

Please inquire at the military resale
outlets where you bought your Kenwood
products, or
KENWOOD ELECTRONICS
DEUTSCHLAND GMBH:
Rembrücker-Str. 15, 63150 Heusenstamm,
Germany
Tel.: 49-06104-69010

Dear Customer,

Thank you for purchasing this Kenwood product. As mentioned in the pages of this booklet, our warranty is only valid in the countries listed. If your country is not listed please contact your retailer for information on warranty procedure, or write to:

JVC KENWOOD Customer Information Center

3-12, Moriyacho, Kanagawa-ku, Yokohama-shi, Kanagawa 221-0022, Japan

U.S.A.	KENWOOD USA CORPORATION
<p>This warranty will be honored only in the U.S.A.</p> <p>KENWOOD LIMITED WARRANTY FOR CAR STEREO COMPONENTS</p> <p>HOW LONG IS THE WARRANTY Kenwood U.S.A. Corporation ("Kenwood") warrants this product for a period of one (1) year from the date of original purchase.</p> <p>WHAT IS COVERED AND WHAT IS NOT COVERED Except as specified below, this warranty covers all defects in material and workmanship in Kenwood car stereo components. The following are not covered by the warranty:</p> <ol style="list-style-type: none"> Any product which is not distributed in the U.S.A. by Kenwood or which is not purchased in the U.S.A. from an authorized Kenwood car stereo dealer or an automobile dealer, unless the product is purchased through the U.S.A. Military Exchange Service. Any product on which the serial number has been defaced, modified or removed. Damage, deterioration or malfunction resulting from: <ol style="list-style-type: none"> Any shipment of the product (claims must be presented to the carrier). Installation or removal of the product. Accident, acts of nature, misuse, abuse, neglect, unauthorized product modification or failure to follow instructions supplied with the product. Repair or attempted repair by anyone not authorized by Kenwood. Any other cause which does not relate to a product defect. 	<p>WHO IS PROTECTED This warranty is enforceable only by the original purchaser.</p> <p>WHAT WE WILL PAY FOR We will pay for all labor and material expenses for covered items. Payment of shipping charges is discussed in the next section of this warranty.</p> <p>HOW TO OBTAIN WARRANTY SERVICE If your KENWOOD product ever needs service:</p> <ol style="list-style-type: none"> Take or ship it to any KENWOOD Authorized Service Center in the U.S.A. along with a complete description of the problem. (If you are uncertain as to whether a Service Center is authorized, please call 1-800-KENWOOD for the nearest Service Center. 1-800-536-9663). Although you must pay any shipping charges if it is necessary to ship the product for warranty service, we will pay the return shipping charges if the repairs are covered by the warranty within the United States. Whenever your units are taken or sent for warranty service, you must include a copy of the original dated sales receipt as proof of warranty coverage. <p>LIMITATION OF IMPLIED WARRANTIES ALL IMPLIED WARRANTIES, INCLUDING WARRANTIES OF MERCHANTABILITY AND FITNESS FOR A PARTICULAR PURPOSE, ARE LIMITED IN DURATION TO THE LENGTH OF THIS WARRANTY.</p> <p>EXCLUSION OF DAMAGES KENWOOD'S LIABILITY FOR ANY DEFECTIVE PRODUCT IS LIMITED TO THE REPAIR OR REPLACEMENT OF THE PRODUCT AT OUR OPTION. KENWOOD SHALL NOT BE LIABLE FOR:</p> <ol style="list-style-type: none"> INSTALLATION OR REMOVAL CHARGES, DAMAGE TO OTHER PROPERTY CAUSED BY ANY DEFECTS IN KENWOOD CAR STEREO COMPONENTS, DAMAGES BASED UPON INCONVENIENCE, LOSS OF USE OF THE PRODUCT; OR ANY OTHER DAMAGES, WHETHER INCIDENTAL, CONSEQUENTIAL OR OTHERWISE. <p>SOME STATES DO NOT ALLOW LIMITATIONS ON HOW LONG AN IMPLIED WARRANTY LASTS AND/OR DO NOT ALLOW THE EXCLUSION OR LIMITATION OF INCIDENTAL OR CONSEQUENTIAL DAMAGES, SO THE ABOVE LIMITATIONS AND EXCLUSIONS MAY NOT APPLY TO YOU.</p> <p>This warranty gives you specific legal rights, and you may also have other rights which vary from state to state.</p> <p>If a problem develops during or after the Limited Warranty Period, or if you have any questions regarding the operation of the product, you should contact your KENWOOD Authorized Dealer or Authorized Service Center. If the problem or your question is not handled to your satisfaction, please contact our Customer Relations Department at the address listed below:</p> <p>KENWOOD USA CORPORATION P.O. Box 22745, 2201 East Dominguez Street, Long Beach, CA 90801-5745 Tel: (310) 639-5300</p>

BRASIL	JVC KENWOOD DO BRASIL COMÉRCIO DE ELETRÔNICOS LTDA
<p>O fabricante garante o produto identificado na Nota Fiscal de venda ao consumidor contra qualquer defeito de fabricação ou de matéria-prima durante o período de garantia. Esta garantia é válida no território brasileiro desde que o produto tenha sido adquirido no Brasil e distribuído pela JVC KENWOOD do Brasil Comércio de Eletrônicos Ltda.</p> <p>PERÍODO DE GARANTIA Este produto é garantido pelo prazo de 01 (um) ano, incluindo o período estabelecido por lei, a partir da data de aquisição, comprovada mediante a apresentação da respectiva Nota Fiscal de venda ao consumidor final.</p> <p>Eventuais reparos realizados no produto durante o período de garantia não implicam na dilatação do seu prazo.</p> <p>EXCLUSÃO DA GARANTIA</p> <ol style="list-style-type: none"> Produtos com o número de série ou certificado de garantia rasurados, adulterados ou ilegíveis; Defeitos resultantes de acidentes (quedas, batidas e etc), uso em desacordo com o manual de instruções, má utilização, ligação à fonte de tensão diferente da especificada no Manual de Instruções, modificações não autorizadas; Danos causados por agentes da natureza (Ex: chuvas, raios, neblina, enchentes e etc); Defeitos ou danos em decorrência de consertos realizados por pessoas não autorizadas; Defeitos ou danos resultantes do uso de peças ou dispositivos não conformes às especificações da JVC KENWOOD; Danos ou deteriorações aos acabamentos externos: partes cosméticas, cabos, chinelos, parafusos de fixação, luvas, alças, bolsas, estojos, adaptadores, antenas, fitas, cabeças gravadoras, CDs ou danos causados por pilhas defeituosas ou com vazamento; Defeitos ou danos devido ao transporte (reclamações devem ser feitas junto à empresa transportadora); Qualquer outra causa que não esteja relacionada a defeitos de matéria-prima e de fabricação; Danos causados por tentativa de roubo ou furto; Danos causados por uso de CDs de má qualidade; Danos decorrentes do desgaste natural do produto; Danos causados por mau uso (derramamento de líquidos e/ou alimentos, corrosão, oxidação, exposição à umidade ou situações climáticas extremas, riscos ou quedas). 	<p>CONCERTO EM GARANTIA É indispensável a apresentação deste Certificado de Garantia devidamente preenchido, acompanhado da respectiva Nota Fiscal de compra do produto, desde que não apresente rasuras ou modificações.</p> <p>O consumidor somente terá direito a estes benefícios, quando o produto for entregue diretamente no balcão de um Serviço Autorizado da JVC KENWOOD.</p> <p>O QUE NÃO É COBERTO PELA GARANTIA Instalação e remoção do produto, despesas de frete, seguro e embalagem são de responsabilidade do proprietário.</p> <p>Este produto é destinado exclusivamente ao uso doméstico.</p> <p>IMPORTANTE: Para qualquer informação sobre seu equipamento JVC KENWOOD, ou para obter o endereço do Serviço Autorizado mais próximo, acesse o site www.kenwood.com.br, ou ligue para a Central de Atendimento JVC KENWOOD - Tel.: +55 (11) 3777-6771 com os dados abaixo preenchidos.</p> <p>JVC KENWOOD DO BRASIL COMÉRCIO DE ELETRÔNICOS LTDA Tel: (11) 3777-6771 www.kenwood.com.br</p> <p>Nome do consumidor: _____</p> <p>Endereço: _____ CEP: _____</p> <p>Cidade: _____ Estado: _____</p> <p>Telefone: _____</p> <p>Data da compra: ____/____/____ Nota Fiscal: _____</p>

CANADA	KENWOOD ELECTRONICS CANADA INC.
<p>KENWOOD WARRANTY KENWOOD ELECTRONICS CANADA INC. (hereinafter called "KENWOOD"), gives the following written warranty to the original customer of each new Kenwood product distributed in Canada by KENWOOD and purchased from a dealer authorized by KENWOOD.</p> <p>KENWOOD warrants that each new Kenwood product, under normal use, is free from any defects, subject to the terms and conditions set forth below. If a defect should occur within the warranty period, repairs will be made free of charge for parts and labour when such defects are determined by KENWOOD or its' authorized service centres to be attributable to faulty materials or workmanship at time of manufacture. Please contact KENWOOD to confirm if a dealer or service centre is authorized by KENWOOD.</p> <p>WARRANTY PERIOD This Kenwood product is warranted for parts and labour for a period of one (1) year from the date of original purchase, lease or rental, except for products which are used in a professional or commercial application, which are warranted for a period of ninety (90) days for parts and labour and are subject to the terms and conditions of the warranty.</p> <p>WARRANTY EXCLUSIONS This warranty excludes:</p> <ol style="list-style-type: none"> Products purchased in a foreign country or purchased in Canada and taken to a foreign country. Products purchased from a dealer not authorized by KENWOOD. Products with the serial number defaced, altered or missing. Periodic check-ups which do not disclose any defects covered by this warranty. 	<p>(e) Defects resulting from disaster, accident, abuse, misuse, lightning, power surges, neglect or lack of periodic maintenance, unauthorized modification or failure to follow instructions in the owner's manual.</p> <p>(f) Defects or damage as a result of repairs performed by a person or party not authorized by KENWOOD.</p> <p>(g) Defects resulting from the use of parts or devices that do not conform to KENWOOD specifications.</p> <p>(h) Damage or deterioration occurring to any exterior finishes, cosmetic parts, tape heads, adaptors, antennas, cables, tapes, discs or faults or damage caused by defective or leaking batteries.</p> <p>(i) Defects or damage occurring during shipping (claims should be presented to the shipping company).</p> <p>(j) Product voltage and /or line frequency conversions.</p> <p>(k) Product installation or removal charges.</p> <p>TO OBTAIN WARRANTY SERVICE Should your Kenwood product require warranty service, deliver it to any authorized KENWOOD service centre and present the original copy of your bill of sale and this warranty card as proof of warranty, or send your product fully insured and freight prepaid to the nearest authorized KENWOOD service centre. To avoid possible shipping damage, make sure the product is properly packed. Include a copy of your original bill of sale and this warranty card as proof of warranty along with your name, home and /or work telephone number(s), a complete return address and a detailed description of the fault(s). Products repaired within warranty will be returned freight prepaid to destinations within Canada. The customer is responsible for all freight and related costs for the return of product(s) to destinations outside Canada.</p> <p>ENTIRE WARRANTY This warranty constitutes the entire written warranty given by KENWOOD. No person, party, dealer or service centre or their agents or employees are authorized to extend or enlarge this warranty on behalf of KENWOOD by any written or verbal statement or advertisement or promotion, including any extended warranty program or plan that may be offered by the dealer or service centre, unless approved in writing by KENWOOD.</p> <p>DISCLAIMER KENWOOD disclaims any responsibility for loss of time or use of the product or any other indirect, incidental or consequential damage to other products or goods, inconvenience or commercial loss.</p> <p>NOTICE TO CONSUMER The provisions contained in this written warranty are not intended to limit, modify, take away, disclaim or exclude any warranties or rights you may have which are set forth in any applicable provincial or federal laws or legislation.</p> <p>IMPORTANT This warranty card by itself is not considered by KENWOOD as a valid proof of purchase. When applying for warranty repairs, you must present the original copy of your bill of sale and this warranty card as proof of warranty, so we recommend that they be kept in a safe place, should they be required in the future.</p> <p>KENWOOD ELECTRONICS CANADA INC. 6070 Kestrel Road, Mississauga, Ontario, Canada L5T 1S8 Tel.: (905) 670-7211 Fax: (905) 670-7248</p>

CANADA	KENWOOD ELECTRONICS CANADA INC.
<p>GARANTIE KENWOOD KENWOOD ELECTRONICS CANADA INC. (ci-après appelée "KENWOOD"), donne par écrit la garantie suivante à l'acheteur original de chaque nouveau produit Kenwood distribué au Canada par KENWOOD et acheté à un concessionnaire autorisé par KENWOOD.</p> <p>KENWOOD garantit, sous réserve des termes et des conditions énoncés ci-dessous, que chaque nouveau produit Kenwood, dans des conditions d'emploi normales, est exempt de tous défauts. Si l'un d'eux se produit pendant la période de garantie, KENWOOD s'engage à assumer le coût des pièces défectueuses et de la main-d'œuvre nécessaires pour effectuer les réparations pourvu que de tels défauts sont attribuables à des pièces défectueuses employées lors de la fabrication du produit Kenwood ou à la main-d'œuvre qui l'a établi par KENWOOD ou par l'un de ses centres de service autorisés. Appelez KENWOOD pour vérifier si un concessionnaire ou un centre de service est autorisé par KENWOOD.</p> <p>PÉRIODE DE GARANTIE Les pièces et la main-d'œuvre nécessaires pour la réparation des produits Kenwood sont garanties pendant la période d'un (1) an à compter de la date d'achat, de bail ou de location originale, sauf dans les cas où les produits Kenwood sont employés dans un but professionnel ou commercial, où la garantie des pièces et de la main-d'œuvre demeure en vigueur pendant une période de quatre-vingt-dix (90) jours sous réserve des termes et des conditions de la garantie.</p> <p>EXCLUSIONS DE GARANTIE Cette garantie ne couvre pas:</p> <ol style="list-style-type: none"> les produits achetés à l'étranger ou achetés au Canada et transportés à l'étranger; les produits achetés à un concessionnaire non autorisé par KENWOOD; les produits dont le numéro de série manque, a été effacé ou modifié; les services d'entretien périodiques qui n'indiquent aucun défaut couvert par cette garantie; 	<p>(e) les défauts causés par les désastres, les accidents, les abus, les emplois incorrects, les échauffements, les surtensions de courant, les manques de soins ou d'entretiens périodiques, les modifications non autorisées ou les manques de respect du mode d'emploi;</p> <p>(f) les défauts ou les dommages causés lors de réparations effectuées par une personne ou par une partie non autorisée par KENWOOD;</p> <p>(g) les défauts causés par l'emploi de pièces ou de dispositifs qui ne se conforment pas aux exigences de KENWOOD;</p> <p>(h) les finitions extérieures, les pièces cosmétiques, les têtes de bandes, les adaptateurs, les antennes, les câbles, les bandes, les disques endommagés ou dépeints, ni les défauts ou dommages causés par des piles défectueuses ou qui fuient;</p> <p>(i) les défauts ou dommages qui se produisent pendant l'expédition des produits Kenwood (On devrait déposer de telles réclamations auprès des compagnies de transport);</p> <p>(j) les conversions de tension et/ou de fréquence du produit;</p> <p>(k) les frais d'installation ou d'enlèvement du produit.</p> <p>COMMENT OBTENIR DU SERVICE SOUS GARANTIE Au cas où un service sous garantie de votre produit Kenwood s'avère nécessaire, veuillez livrer le produit à l'importeur qui est le centre de service KENWOOD et présenter la copie originale du contrat de vente et cette carte de garantie en tant que preuve de garantie ou veuillez faire parvenir votre produit assuré et porté payé au centre de service KENWOOD autorisé le plus proche. Pour éviter toutes possibilités de dommages pendant le transport, veuillez bien emballer le produit. Veuillez inclure une copie du contrat de vente original et cette carte de garantie en tant que preuve de garantie aussi bien que votre nom, numéros de téléphone au poste de travail et/ou au domicile, votre adresse et une description détaillée des défauts. Les produits sous garantie réparés seront retournés porté payé aux destinations à l'intérieur du Canada. Le consommateur sera responsable de tous frais de transport et d'autres frais qui s'y rapportent pour faire expédier les produits à destinations à l'extérieur du Canada.</p> <p>L'ENTIERE GARANTIE Cette garantie représente l'entière garantie donnée par écrit par KENWOOD. KENWOOD ne se tient aucunement responsable de toutes extensions ni de toutes augmentations de cette garantie faites ou entreprises par toutes personnes, parties, concessionnaires ou centres de service ou par leurs agents ou employés au nom de KENWOOD au moyen d'affirmations verbales ou écrites, d'annonces ou de promotions, y compris tous programmes ou plans de garantie étendue que puissent offrir les concessionnaires ou les centres de service, à moins que KENWOOD n'y ait consenti par écrit d'avance.</p> <p>RENONCIATION KENWOOD renonce à tous responsabilités de perte de temps, d'emploi du produit, de tous dommages indirects ou accessoires causés à d'autres produits ou biens, de tous inconvénients ou de toutes pertes commerciales.</p> <p>AVIS AUX CONSOMMATEURS Les stipulations contenues dans la présente garantie écrite n'ont pas pour but de limiter, de modifier, de diminuer, de rejeter ni d'exclure d'autres garanties ni droits énoncés dans n'importe quelles lois ou législations provinciales ou fédérales.</p> <p>IMPORTANT KENWOOD ne considère pas cette garantie toute seule comme étant une preuve d'achat valide. Lorsqu'on demande du service sous garantie, il faut présenter la copie originale du contrat de vente aussi bien que cette carte de garantie en tant que preuve de garantie. On recommande de les conserver dans un lieu sûr au cas où elles s'avèreraient nécessaires à l'avenir.</p> <p>KENWOOD ELECTRONICS CANADA INC. 6070 Kestrel Road, Mississauga, Ontario, Canada L5T 1S8 Téléphone: (905) 670-7211 Télécopieur: (905) 670-7248</p>