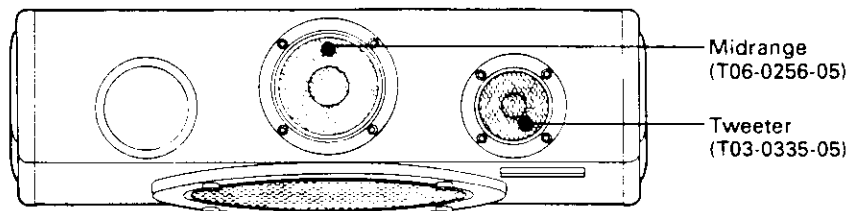


10 in (25cm) 3-WAY SPEAKER SYSTEM
KSC-9903
 SERVICE MANUAL

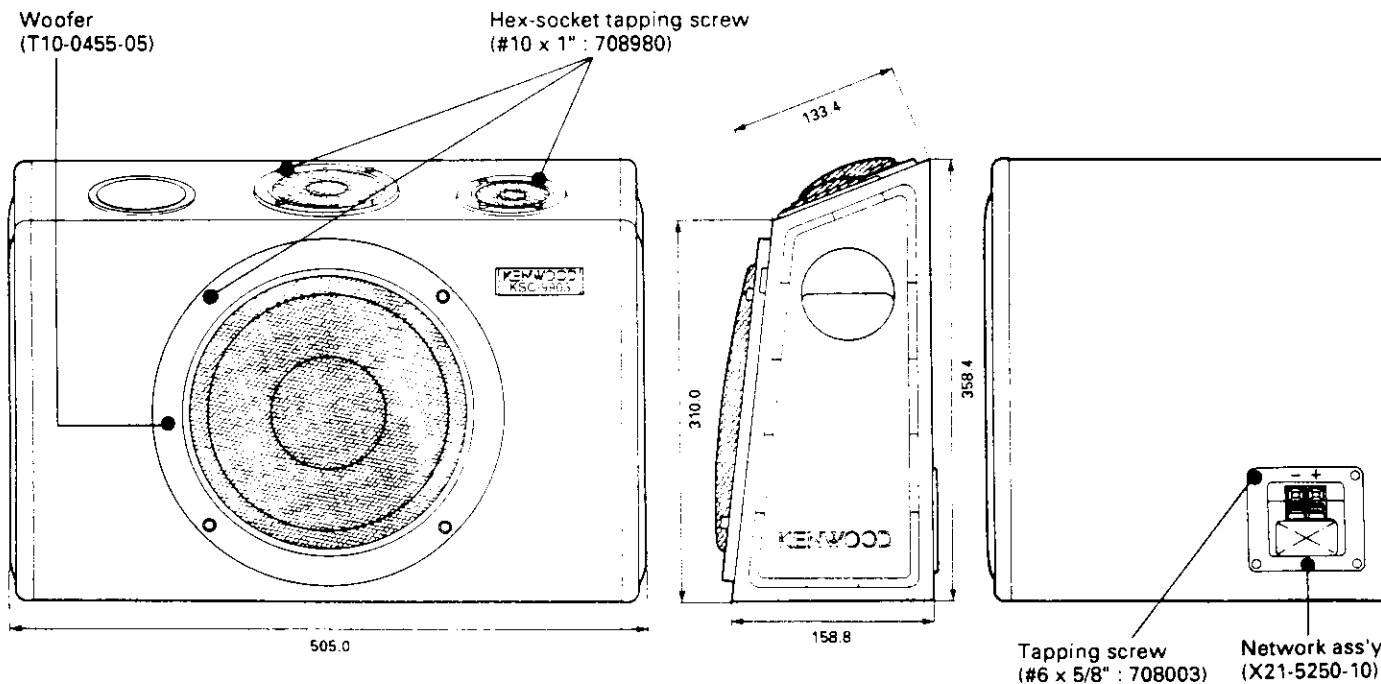
KENWOOD

© 1995-11 PRINTED IN JAPAN
 B51-6912-00(N)368

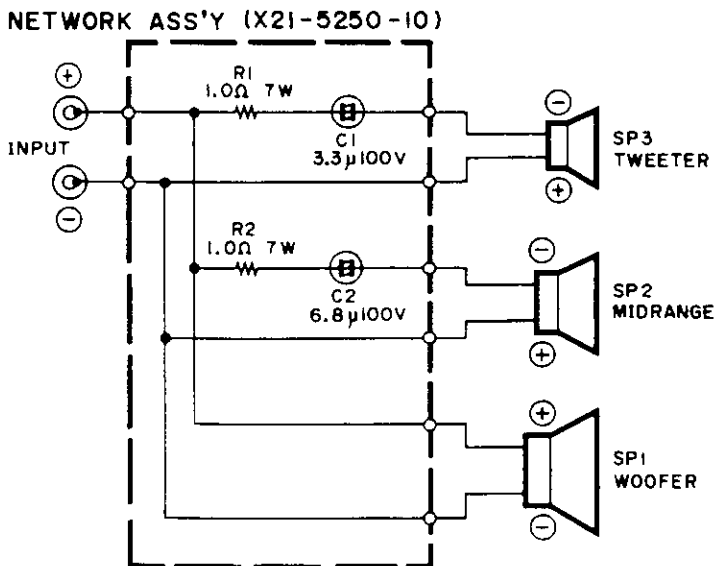
EXTERNAL VIEW



Note: Please contact to KENWOOD U.S.A. CORPORATION California 90810, U.S.A. If any question on service parts.



NETWORK



PARTS LIST

× New Parts

Parts without Parts No. are not supplied.

Les articles non mentionnés dans le Parts No. ne sont pas fournis.

Teile ohne Parts No. werden nicht geliefert.

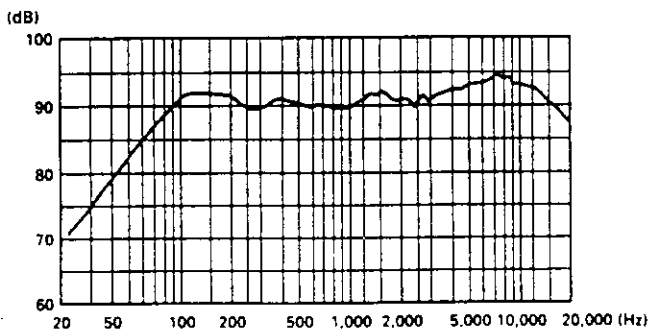
Ref. No. 参照番号	Address 位置	New Parts 新	Parts No. 部品番号	Description 部品名 / 規格	Desti- nation 仕 向	Re- marks 備考
KSC-9903						
SP1			T10-0455-05	WOOFER		
SP2			T06-0256-05	MIDRANGE		
SP3			T03-0335-05	TWEETER		
-			B61-0780-00	INSTRUCTION MANUAL		
-			X21-5250-10	NETWORK ASSY		

SPECIFICATIONS

System	3-Way 3-Speaker System
Enclosure	Bass-Reflex, Portable Type
Mounted drivers	
Woofer	10 in (250mm) Cone Type
Mid-range	3-1/2 in (90mm) Cone Type
Tweeter	2 in (50mm) Cone Type
Nominal impedance	4Ω
Peak input power	200W
Rated input power	100W
Sensitivity	90 dB/W at 1m
Frequency response	40Hz ~ 20,000Hz
Crossover frequency	2,000Hz, 6,000 Hz
Terminals	Push-Lever Type
Dimensions	W : 19-7/8 in (505mm) H : 14-1 / 8 in (358.4mm) D : 6-1 / 4 in (158.8mm)
Net weight	18lbs 12oz (8.5kg) / piece
Enclosure finish	High density particle board, covered with gray carpet.
Accessories	Speaker Wires Length : 13 ft (4m) x 2

Note : KENWOOD follows a policy of continuous advancements in development. For this reason specifications may be changed without notice.

FREQUENCY RESPONSE



KENWOOD CORPORATION

14-6 Dogenzaka 1-chome, Shibuya-ku, Tokyo, 150 Japan
KENWOOD SERVICE CORPORATION
 P.O. BOX 22745, 2201 East Dominguez St., Long Beach, CA 90801 5745 U.S.A.
KENWOOD ELECTRONICS CANADA INC.
 6070 Kestrel Road, Mississauga, Ontario, Canada L5T 1S8
KENWOOD ELECTRONICS LATIN AMERICA S.A.
 P.O. BOX 55-2791, Piso 6 Plaza Chasin, C1-47 y Aquino de la Guardia, Panama, Republic of Panama
TRIO-KENWOOD U.K. LIMITED
 KENWOOD House, Dwight Road, Watford, Herts., WD1 8EB United Kingdom
KENWOOD ELECTRONICS BENELUX N.V.
 Mechelsesteenweg 418 B-1930 Zaventem, Belgium
KENWOOD ELECTRONICS DEUTSCHLAND GMBH
 Rembrucker Str. 15, 65150 Heusenstamm, Germany
TRIO-KENWOOD FRANCE S.A.
 13 Boulevard Ney, 75018 Paris, France
KENWOOD ELECTRONICS ITALIA S.p.A.
 Via G. Sirtori, 79 20129 Milano, Italy
KENWOOD IBERICA S.A.
 Bolivia, 239-08020 Barcelona, Spain
KENWOOD ELECTRONICS AUSTRALIA PTY. LTD. A.C.N. 001 499 074.
 P.O. BOX 504, B Figtree Drive, Australia Centre, Homebush N.S.W. 2140 Australia
KENWOOD & LEE ELECTRONICS LTD.
 Unit 3712-3724, Level 37, Tower One, Millennium, 223 Hing Fung Road, Kwai Fong, N.T., Hong Kong
KENWOOD ELECTRONICS SINGAPORE PTE. LTD.
 No. 11, Spring Lane #02-00, #ENAV1, 11, Spring Lane, Singapore, 1134
KENWOOD ELECTRONICS (MALAYSIA) SDN LTD.
 101H Floor, Block B, Wisma Sumanan, No. 12, Jalan Grogong, Bukit Damansara,
 50490 Kuala Lumpur, Malaysia