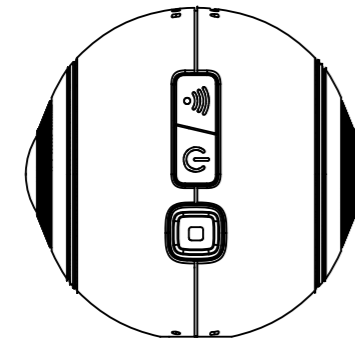


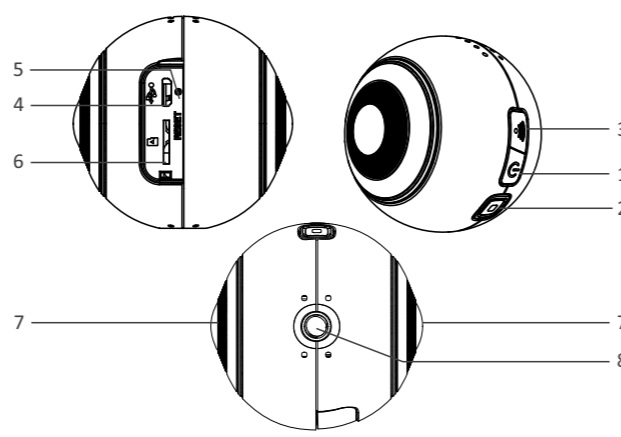
90 mm
360 mm

90 mm

SDV360T2 Quick Start Guide

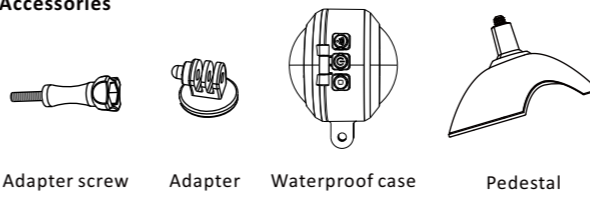


1. Introduction on product parts



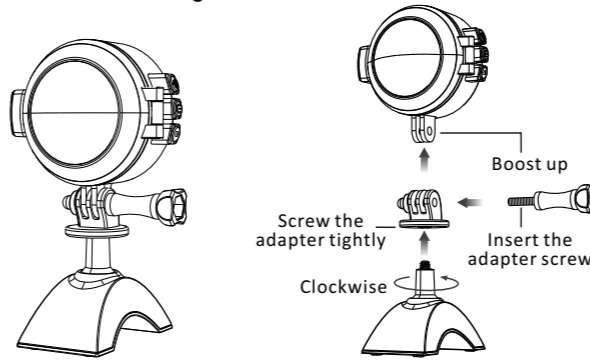
1). Power on/off	5). Reset button
2). Recording / photo button	6). TF card slot
3). Wi-Fi on / off	7). Lens
4). Micro-USB charging port	8). 1/4 inch screw nut

2. Accessories



Adapter screw Adapter Waterproof case Pedestal

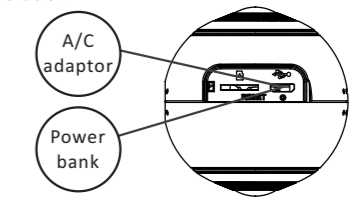
Accessories Connecting Illustration



Screw the adapter tightly Boost up Insert the adapter screw
Clockwise

3. Recharging

This device can be recharging via USB cable with A/C adaptor or power bank and it is recommended to use rating 5V/1.5A or above for this operation.



A/C adaptor Power bank

4. Introduction on normal use


- 1). **Power on / off**
Power on: Long pressing the power button, green light will be flashing till it is solid on.
Power off: Long pressing the power button, the device will be off after the red and green lights flash alternatively.
- 2). **Recording and Photo Taking:**
Recording mode: After powered on, the green light turning solid, the equipment will be in video recording mode by default. Recording will start when the green light flashes after pressing the recording icon on APP or pressing the recording button on the device itself. The green light will stop flashing which will stop recording after pressing the related icon or button one more time.

NOTE: This equipment has been tested and found to comply with the limits for a Class B digital device, pursuant to Part 15 of the FCC Rules. These limits are designed to provide reasonable protection against harmful interference in a residential installation. This equipment generates, uses and can radiate radio frequency energy and, if not installed and used in accordance with the instructions, may cause harmful interference to radio communications. However, there is no guarantee that interference will not occur in a particular installation.

If this equipment does cause harmful interference to radio or television reception, which can be determined by turning the equipment off and on, the user is encouraged to try to correct the interference by one or more of the following measures:

- Reorient or relocate the receiving antenna.
- Increase the separation between the equipment and receiver.
- Connect the equipment into an outlet on a circuit different from that to which the receiver is connected.
- Consult the dealer or an experienced radio/TV technician for help.

This device complies with Part 15 of the FCC Rules. Operation is subject to the following two conditions:
(1) This device may not cause harmful interference, and
(2) This device must accept any interference received, including interference that may cause undesired operation.



7. Basic parameters

Len: F2.0 FOV210
Video specification: 2048*1024 30fps
Storage standard: Micro SDHC/ Micro SDXC
DC input: 5V/1.5A
Operating temperature: -10°C~ +50°C
Typical power consumption: 2.5W

8. Attention



FCC Radiation Exposure Statement
This equipment complies with FCC RF radiation exposure limits set forth for an uncontrolled environment. This transmitter should be installed and operated with a minimum distance of 20 centimeters between the radiator and your body and must not be collocated or conjunction with any antenna or transmitter.


Warning
Changes or modifications to this unit not expressly approved by the party responsible for compliance could void the user's authority to operate the equipment.


ROHS
This product is in compliance with Directive 2011/65/EU of the European Parliament and of the Council of 8 June 2011, on the restriction of the use of certain hazardous substances in electrical equipment.

Operating Instruction for Camera APP

- 1). Please download the related APP according to your smartphone
- 2). Open the APP and connect to the wifi of the camera
- 3). Wireless Parameters
SSID: SDV360T2
Wireless password: 87654321





6. Package Contents

- 1). Quick start guide
- 2). Waterproof case
- 3). Pedestal
- 4). Adapter
- 5). Adapter screw
- 6). USB cable

Photo mode: After power on, short pressing the power button, green light will turn to Red, which means the equipment is in Photo mode. When pressing the photo icon on the APP or photo button on the device itself, the red light will flash once which means it is done. (In case of no card, full or any error, the green light will flash quickly)

- 3). **Wi-Fi on/off**
Wi-Fi on: Pressing the Wi-Fi button, the blue light turns on. When there is data transferring, the blue light will flash.
Wi-Fi off: Pressing the Wi-Fi button, the blue light turns off.
- 4). **Recharging**
Connecting with the USB cable, the red light will turn on and recharging starts. When fully charged, the red light would be off. (When in low battery, the red light will be flashing till the device is powered off)
- 5). **Reset**
Pressing the reset button will cut off the power and the device will be powered off.

5. Camera APP

Connect the SDV360T2 to the wireless of your smartphone or tablet and control it directly from anywhere within the wireless coverage of the camera using the OTCam360 APP. With succinct and stylish designed UI, OTCam360 allows you to manage your camera easily with the basic settings like recording, photo taking, display mode switching, along with advanced configurations like live broadcasting, wireless settings and etc. The OTCam360 works with Android 5.0 (or above) and iOS 8 (or above) devices and you can download the APP from App Store or Google play.

展开尺寸：360*90mm,折后尺寸：90*90mm 80克书写纸，单黑色双面印刷，风琴折页