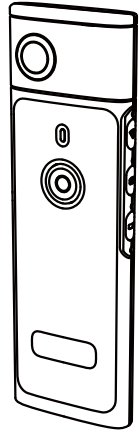


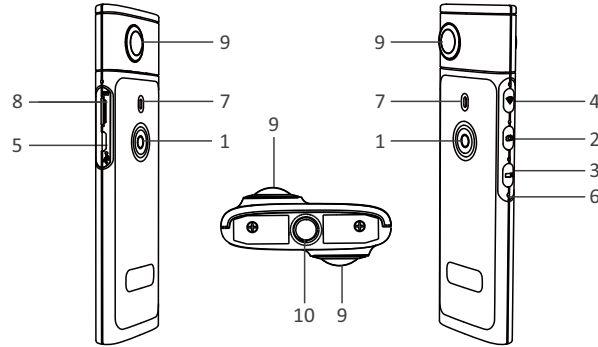
270 mm

90 mm

SDV360T3 Quick Start Guide



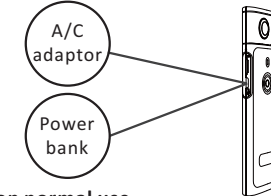
1. Introduction on product parts



- 1). Power on/off
- 2). Photo button
- 3). Recording button
- 4). Wi-Fi on / off
- 5). Micro-USB charging port
- 6). Reset button
- 7). LED indicator
- 8). TF card slot
- 9). Lens
- 10). 1/4 inch screw nut

2. Recharging

This device can be recharging via USB cable with A/C adapter or power bank and it is recommended to use rating 5V/1A or above for this operation. When connected to the USB cable, the red light turns on; when fully charged, the red light turns off.



3. Introduction on normal use

- 1). **Power on / off**
Power on: Long pressing the power button, the green light will be flashing till it is solid on.
Power off: Long pressing the power button, all the LED indicators will be off.
- 2). **Photo Mode:**
 Press the photo button, the photo LED indicator will be solid on. Then press the power button, the power LED indicator in green will flash once which means the photo is done. (In case of no card, full or error, the green light will flash quickly)
- 3). **Recording mode:**
 The device is recording mode by default when it is powered on and the recording LED indicator will be solid on. Then press the power button once, the device will start recording and the power LED indicator in green will be flashing all the time. Pressing the

Warning

Changes or modifications to this unit not expressly approved by the party responsible for compliance could void the user's authority to operate the equipment.

ROHS

This product is in compliance with Directive 2011/65/EU of the European Parliament and of the Council of 8 June 2011, on the restriction of the use of certain hazardous substances in electrical equipment.

NOTE: This equipment has been tested and found to comply with the limits for a Class B digital device, pursuant to Part 15 of the FCC Rules. These limits are designed to provide reasonable protection against harmful interference in a residential installation. This equipment generates, uses and can radiate radio frequency energy and, if not installed and used in accordance with the instructions, may cause harmful interference to radio communications. However, there is no guarantee that interference will not occur in a particular installation.

If this equipment does cause harmful interference to radio or television reception, which can be determined by turning the equipment off and on, the user is encouraged to try to correct the interference by one or more of the following measures:

- Reorient or relocate the receiving antenna.
 - Increase the separation between the equipment and receiver.
 - Connect the equipment into an outlet on a circuit different from that to which the receiver is connected.
 - Consult the dealer or an experienced radio/TV technician for help.
- This device complies with Part 15 of the FCC Rules. Operation is subject to the following two conditions:
 (1) This device may not cause harmful interference, and
 (2) This device must accept any interference received, including interference that may cause undesired operation.



2). Open the APP and connect to the wifi of the camera



3). Wireless Parameters
SSID: SDV360T3
Wireless password: 87654321



5. Basic parameters

Len: F2.0 FOV210
Video specification: 2880*1440 30fps H.264 MP4
Storage standard: Supports Micro SD, SDHC, SDXC (128G)
DC input: 5V/1A
Operating temperature: -10°C~ +50°C
Typical power consumption: 2.5W
Battery support life: More than 2H recording when WiFi is off.

power button one more time, the device will stop recording and the green light will stop flashing.

4). Wi-Fi on/off

Wi-Fi on: Pressing the Wi-Fi button, the blue light turns on. When there is data transferring, the blue light will flash.
Wi-Fi off: Pressing the Wi-Fi button, the blue light turns off.

5). Recharging

Connecting with the USB cable, the red light would be on. When fully charged, the red light would be off.(when in low battery, the red and green light will be flashing alternatively till the device is powered off)

6). Reset

Pressing the reset button will cut off the power and the device will be powered off.

4. Camera APP

Connect the SDV360T3 to the wireless of your smartphone or tablet and control it directly from anywhere within the wireless coverage of the camera using the OTCam360 APP. With succinct and stylish designed UI, OTCam360 allows you to manage your camera easily with the basic settings like recording, photo taking, display mode switching, along with advanced configurations like live broadcasting, wireless settings and etc.The OTCam360 works with Android 5.0 (or above) and iOS 8(or above) devices and you can download the APP from Apple Store or Google play.

Operating Instruction for Camera APP

- 1). Please download the related APP according to your smartphone



展开尺寸：270*90mm,折后尺寸：90*90mm 80克书写纸，单黑色双面印刷，风琴折页

2). Open the APP and connect to the wifi of the camera