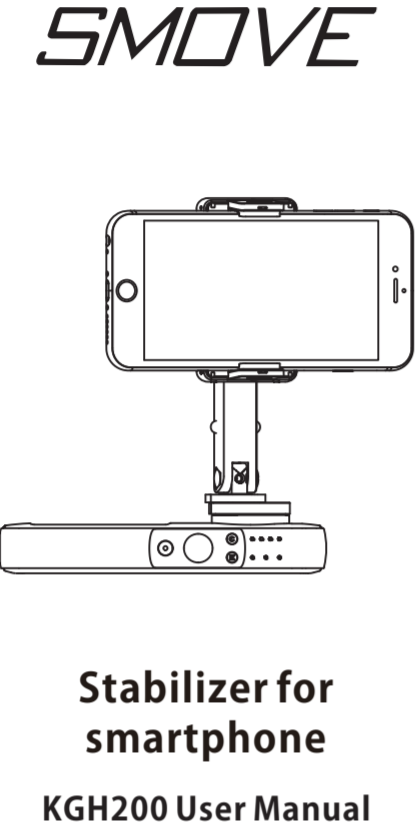


350 mm

135 mm



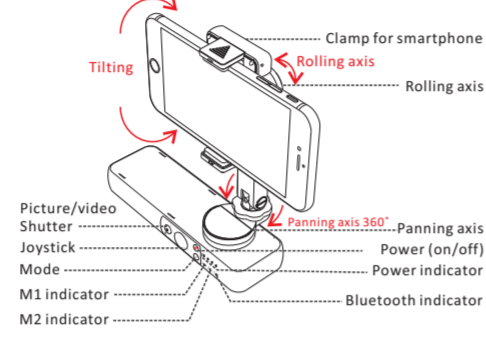
**SMOVE**

**Stabilizer for smartphone**

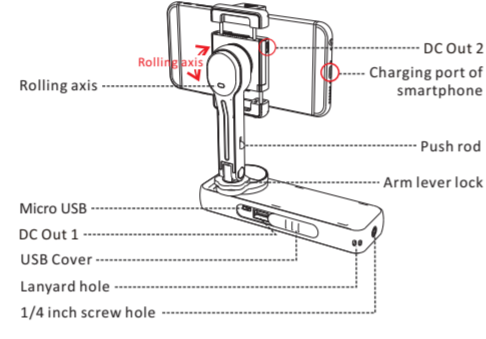
**KGH200 User Manual**

### 1. Introduction

**Product Overview**



Clamp for smartphone  
Rolling axis  
Tilting  
Rolling axis  
Panning axis 360°  
Panning axis  
Picture/video Shutter  
Joystick  
Mode  
M1 indicator  
M2 indicator  
Power (on/off)  
Power indicator  
Bluetooth indicator



Rolling axis  
DC Out 2  
Charging port of smartphone  
Push rod  
Arm lever lock  
Micro USB  
DC Out 1  
USB Cover  
Lanyard hole  
1/4 inch screw hole

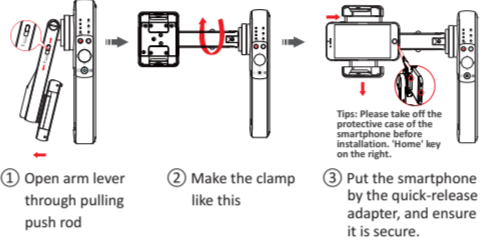
**In the Box**

Micro USB cable x 1      Pouch x 1  
Mini USB cable x 1      User manual x 1

### 2. Installation Guide

**Attention! Please install the smartphone and adjust balance in rolling axis before powering on the stabilizer!**

**2.1 Install the smartphone**



① Open arm lever through pulling push rod      ② Make the clamp like this      ③ Put the smartphone by the quick-release adapter, and ensure it is secure.

④ Adjust the smartphone installation to the best balance.

⑤ Move smartphone to front or back in parallel to rolling axis direction, till keep balance of tilting direction and ensure the smartphone free rotation.

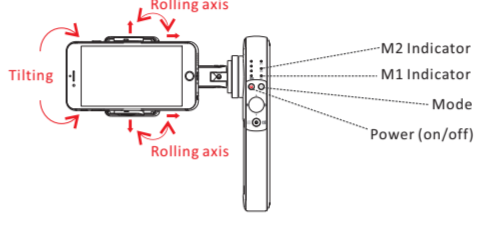
⑥ Twist the arm lever lock to fix the slider position.

**CAUTION**  
Before turn the power on, please keep the smartphone's balance after installation.

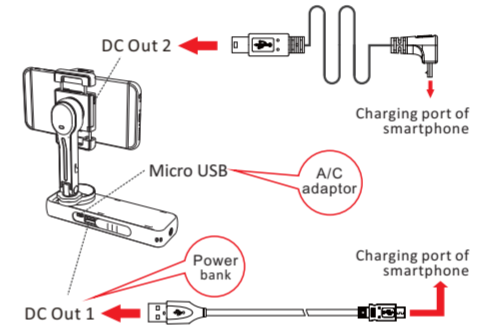
Loose in counter-clockwise direction, Tight in clockwise direction.

**2.2 ON/OFF:** Long press Power Button for 3s and release it until M1 indicator flash 2 times. Default Lock Mode, rolling and tilting (Panning under horizontal handheld) direction are all fixed.




**2.3 Mode switch,** press Mode Button, switch between M1 and M2, which means lock and follow.



**2.4** When the stabilizer is working, connecting the smartphone to DC-Out 2 port in the clamp via the cable supplied for charging the smartphone; when power off, the stabilizer is a power bank, which can charge smartphone with the cable from DC-Out 1 port, just press power button.



### 3. Enter the Smart Follow Mode:

**3.1** Start "Gimbal Engine" app, when bluetooth connected, the bluetooth indicator will be on, single press Picture/Video shutter to take photograph, double press Picture/Video shutter to start/stop video recording.

**3.2** Left/Right direction controlling Joystick to adjust the zoom of smartphone.


**3.3** Up/Down direction controlling Joystick to adjust the angle of tilting (panning under horizontal handheld) under M1 or M2 mode.

**Warning**  
Changes or modifications to this unit not expressly approved by the party responsible for compliance could void the user's authority to operate the equipment

**ROHS**  
This product is in compliance with Directive 2011/65/EU of the European Parliament and of the Council of 8 June 2011, on the restriction of the use of certain hazardous substances in electrical equipment.

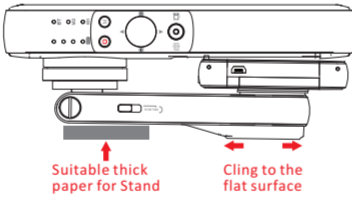
**NOTE:** This equipment has been tested and found to comply with the limits for a Class B digital device, pursuant to Part 15 of the FCC Rules. These limits are designed to provide reasonable protection against harmful interference in a residential installation. This equipment generates, uses and can radiate radio frequency energy and, if not installed and used in accordance with the instructions, may cause harmful interference to radio communications. However, there is no guarantee that interference will not occur in a particular installation. If this equipment does cause harmful interference to radio or television reception, which can be determined by turning the equipment off and on, the user is encouraged to try to correct the interference by one or more of the following measures:  
• Reorient or relocate the receiving antenna.  
• Increase the separation between the equipment and receiver.  
• Connect the equipment into an outlet on a circuit different from that to which the receiver is connected.  
• Consult the dealer or an experienced radio/TV technician for help.

**This device complies with Part 15 of the FCC Rules. Operation is subject to the following two conditions:**  
(1) This device may not cause harmful interference, and  
(2) This device must accept any interference received, including interference that may cause undesired operation.



**Note:** It must put on a horizontal platform, and no vibration between the stabilizer and platform, and easy to see the M1 indicator status.

④ After initialization, switch off the power of stabilizer and restart it, then check success or not, if not, just try again, until it is successful.



Suitable thick paper for Stand      Cling to the flat surface

**No 2: Initialization via firmware upgrading**  
Please visit our official website of Kenxen Limited: <http://www.getsmove.com> download the initialization firmware and operation to initialize.

**9. Attention**  
**Please install and use in accordance to the user manual!**

- Please charge the battery with the provided battery charger.
- Please install the Smartphone securely before powering on the stabilizer.
- Please keep the stabilizer away from the fire
- Prohibit any user for any illegal purpose. Users will be responsible for all behaviors of purchase and products. The Kenxen Limited company does not take any responsibility.
- For any unknown sources of purchasing or using, we will not be at any services.
- The Kenxen Limited assumes no liability for any risks related to or resulting from the debug and use of this product (including the direct, indirect or third-party losses).
- Kenxen Limited reserves the right to amend this manual and the terms and conditions of use the stabilizer at any time.

**6. Use Advice**

- In order to achieve a better shooting performance, keep stable and slow movement when shooting.
- Tilt/pan angle adjustment: when working, control joystick in up/down direction to adjust the tilt/pan angle you want, then press Mode Button to lock the angle.
- Spot shooting: If shoot a stable object, after adjust the tilt/pan angle, enter M1 mode, then you can shoot it for a long time.

**7. Firmware Upgrade**  
Please visit our official website of Kenxen Limited: <http://www.getsmove.com> to download USB the driver, firmware upgrade software and the latest firmware and update operation. Then refer to the manual of update operation to upgrading.

**8. Initialize The Stabilizer**  
**8.1 Stabilizer needs to be initialized whenever the following situations appear after power on:**



- After power on, the angle of tilt/pan is not level with the horizon line;
- After power on, the angle of roll is not parallel with horizon line;
- When the stabilizer is in panning static, the angle of panning moves frequently.

**8.2 Stabilizer initialization method**  
**No 1: Off-line initialization**

- Power on, wait 3s, ensure the stabilizer is working normally
- Long press Mode button over 6s, all motors will be off, meanwhile M1 indicator flash
- Put down the stabilizer like Picture 1 on the right, keep it no vibration, and check M1 indicator, if it is on for 2s, it means initialization finished.


**5. "Gimbal Engine" App Instructions**

- Start bluetooth in the smartphone
- Scan the QR code and enter the download interface





iOS      Android

- According to your smartphone system to download the App "Gimbal Engine"
- Open "Gimbal Engine" APP, connect to the stabilizer



⑤ Enter the Smart Follow Mode:



**4. Working Mode & Operation Instructions**

**LED Indicator!**

Indicator status	Mode	Explanation
M1 light on, M2 light off	Lock	Rolling and panning/tilting directions fixed
M1 light off, M2 light on	Panning/Tilting follow	The smartphone can move to left or right and tilt up and down smoothly along with the handheld moving. The rolling directions fixed.
Power Indicator	4 LEDs	4LEDS-100%, 3LEDS-75%, 2LEDS-50%, 1LEDS-25%
"BT" light on	Bluetooth connected	Enter APP, select more function like face tracing, one-key 360° shoot. etc

**Button Instructions**

Buttons	Operation	Explanation
Power Switch	Long press 3s	M1 indicator flash 2 times means on/off
Mode	Single press	Default M1 mode, single press to switch M1/M2
Joystick	UP/Down Left/Right	Tilting/Panning angle adjustment Adjust smartphone zoom
Picture/Video Shutter (bluetooth connected)	Single press Double press	Take picture Video recording start/stop

**Interface Description**

Port	Function	Explanation
DC Out 1	Output	Charge smartphone when the stabilizer power off
DC Out 2	Output	Charge smartphone when the stabilizer is working
Micro USB	Input	For KGH200 self-charge

**Parameters**

Features	Standard	Range	Remarks
Working Voltage	4.2V	3.3V~5.5V	/
Tilting/Panning Angle	0°(horizontal)	360°	/
Rolling Angle	/	320°	/
Motor overload protection Current	2A		
Dimension	165x85x65mm		
Weight	339.8g( only device)		
Compatibility	iPhone7 Plus/6 Plus/6s Plus,iPhone7/6s/6,iPhone5/5s/5e and similar size android smartphone		

展开尺寸：350\*135mm,折后尺寸：70\*135mm 80克书写纸，单色双面印刷，风琴折页