

## Specifications

### Dimensions

Mullion: 115 mm x 45 mm x 17.5 mm (4 1/2" x 1 3/4" x 11/16")

Wall plate: 121 mm x 76 mm 17.5 mm (4 25/32" x 3" x 11/16")

### Power Requirements

12 VDC, 80 mA

### Read Range

Off metal: up to 12.7 cm (5")

On metal: up to 10.2 cm (4")

### Cable

12" wire pigtail

6 conductor shielded 22 AWG cable—152 metres (500 feet) maximum

### Weight

With mullion:

With wall plate:

### Environmental

Operating Temperature: -40° C to +65° C (-40°F to +149°F)

### Installation

Installation and wiring of systems must be in accordance with the National Electrical Code, ANSI/NFPA 70.

Do Not Connect To A Receptacle Controlled By A Switch.

### Connections

Connections must be in accordance with NFPA 70. Reader and/or control unit power sources must not be on circuits regulated by switches.

### Certifications

CE, ETL



FCC Compliance Statement: This device complies with part 15 of the FCC rules. Operation is subject to the following two conditions: (1) this device may not cause harmful interference, and (2) this device must accept any interference received, including interference that may cause undesired operation.

Product can be used without license conditions or restrictions in all European Union countries, including Austria, Belgium, Bulgaria, Cyprus, Czech Republic, Denmark, Estonia, Finland, France, Germany, Greece, Hungary, Ireland, Italy, Latvia, Lithuania, Luxembourg, Malta, Netherlands, Poland, Portugal, Romania, Slovakia, Spain, Sweden, United Kingdom, as well as other non-EU countries, including Iceland, Norway, and Switzerland

**This device complies with Industry Canada licence-exempt RSS standard(s). Operation is subject to the following two conditions: (1) this device may not cause interference, and (2) this device must accept any interference, including interference that may cause undesired operation of the device.**

*Cet appareil est conforme à Industrie Canada exempts de licence standard RSS (s) . Le fonctionnement*

*est soumis aux deux conditions suivantes :*

*( 1 ) ce dispositif ne peut pas provoquer d'interférences et*

*( 2 ) ce dispositif doit accepter toute interférence , y compris les interférences qui peuvent causer un mauvais fonctionnement du dispositif*

*Note: This equipment has been tested and found to comply with the limits for a Class A Digital device , pursuant to part 15 of the FCC Rules. These limits are designed to provide reasonable protection against harmful interference when the equipment is operated in a commercial environment. This equipment generates, uses, and can radiate radio frequency energy and, if not installed and used in accordance with the instruction manual, may cause harmful interference in which case the user will be required to correct the interference at his own expense.*

*IMPORTANT! Changes or modifications not expressly approved by Keyscan, Inc. could void the user's authority to operate the equipment.*

### Keyscan Inc. A Member of the Kaba Group

901 Burns St., E. Whitby, Ontario, Canada L1N 0E6

1.888.539.7226 (toll free Canada/USA)

905.430.7226 (elsewhere)

www.keyscaan.ca

Technical support hours – 9:00 A.M. to 6:30 P.M. Eastern Time

PROX3 Installation Guide - 03.16 (Document # KD10065-E) 01160-001 Rev 1



## K-PROX3 Proximity Reader

### Installation Guide

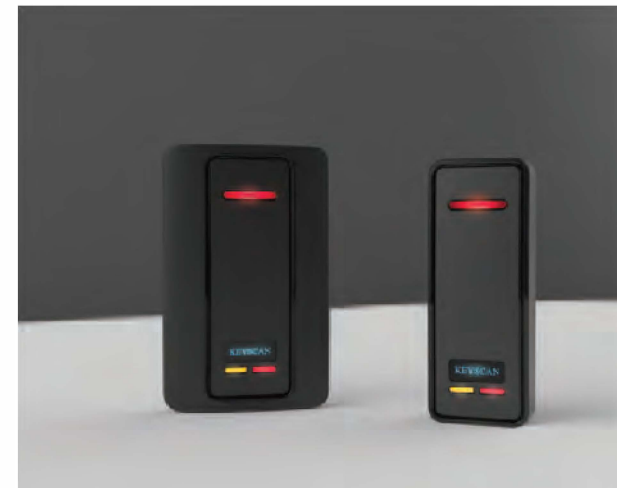
This guide outlines how to connect the K-PROX3 proximity reader. The K-PROX3 has unique LEDs and enhanced security features designed for Keyscan access control systems with compatible firmware. Enhanced security and LED features may not function with non-Keyscan control boards.

Contents		Parts List	
Features	1	K-PROX Proximity Reader	1
Connections	4	Wall Switch Plate	1
Mounting Templates	5, 7	Screw - tbd	1
Specifications	8		

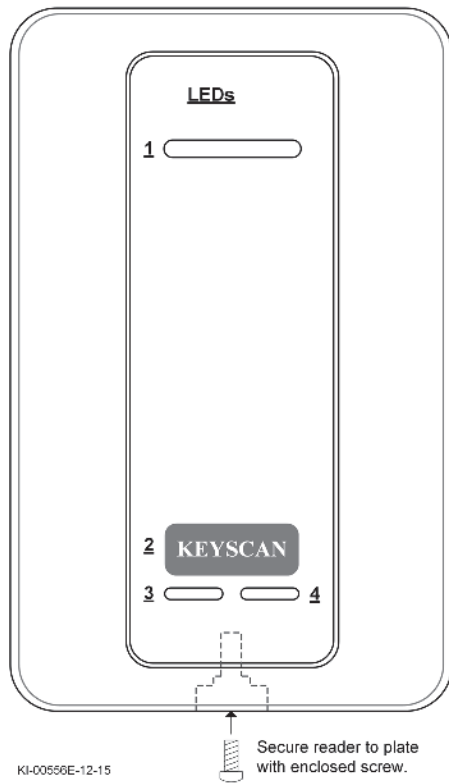
### Features

- ☑ Supports certain HID® 125-kHz proximity protocols
- ☑ Uses proven digital radio frequency identification technology
- ☑ Has dedicated access, power, Present3 and global lockdown LEDs
- ☑ Offers anti-tamper capability for enhanced security (tamper switch not included)
- ☑ Has innovative heartbeat to detect wiring fault or reader damage with alarm reporting triggered by the ACU
- ☑ Designed for indoor or outdoor use
- ☑ Suitable for mullion or single gang mount
- ☑ Electronics sealed in tamper-resistant epoxy potting

### K-PROX3 Proximity Reader



## K-PROX3 - LED Overview



### LEDs and Security Features

The K-PROX3 has four distinct LEDs with each LED designated to report the state of a system-specific function. In addition, the K-PROX3 has an anti-tamper capability and a heartbeat for enhanced reader security. The following sub-headings review the K-PROX3's LED, anti-tamper and heartbeat functions. Control boards require System PROM version x.xx or higher when connected to a K-PROX3 reader.

#### LED 1 – Access/Door Lock State

- Red – indicates door is locked / remains red on an access denied
- Green – indicates door is unlocked / green during relay unlock time on an access granted

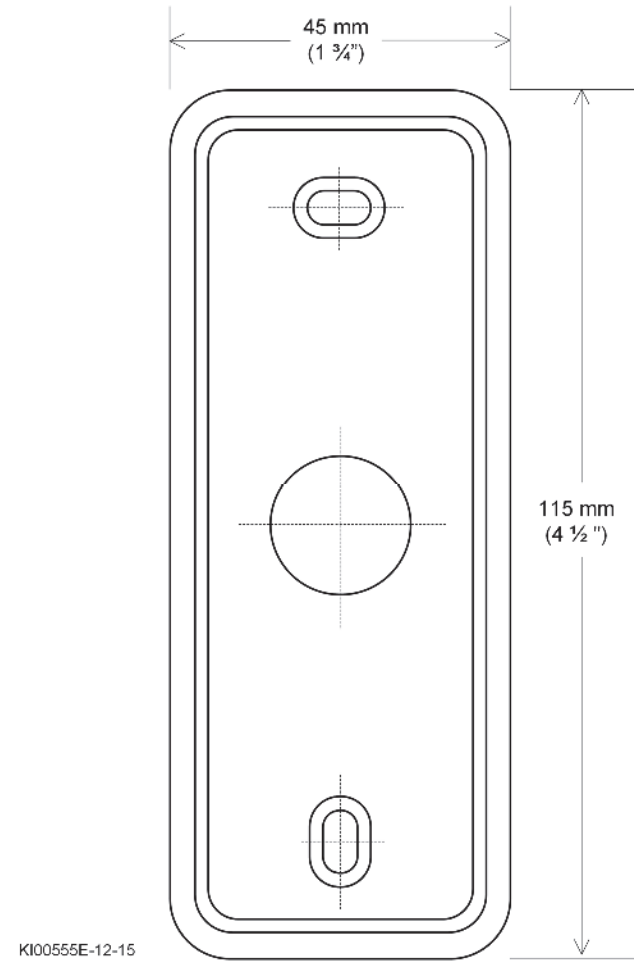
The control board must be configured for Reader LED (Red/Green Enabled) mode.

#### LED 2 – Power

The backlit Keyscan logo indicates reader power:

- Not illuminated – indicates the reader does not have power
- Illuminated blue – indicates the reader has power

## Mullion Template



This page is intentionally blank.

### **LED 3 – Present 3**

When a Present 3 mode has been configured for operation at the reader, LED3 functions as follows:

- Not illuminated – Present 3 is off
- Illuminated green – Present 3 is on

### **LED 4 – Global Lockdown**

The K-PROX3's LED4 is designated as the global lockdown indicator:

- Not illuminated – a global lockdown is not in effect
- Illuminated red – a global lockdown is in effect

The reader must be connected to a control board that has been configured for global lockdown.

#### **Note**

LED 3 – Present3 and LED 4 – Global Lockdown are unique features for Keyscan control boards and require System PROM firmware version x.xx or higher.

### **Anti-Tamper Capability**

When connected to an anti-tamper switch, not supplied, the K-PROX3 offers an enhanced level of security. Connect the K-PROX3's orange conductor as follows:

- With tamper switch – connect the orange wire to the optional tamper switch (normally closed) locally at the reader and connect to GND black wire at reader
- Without tamper switch – connect orange wire to GND black wire at reader

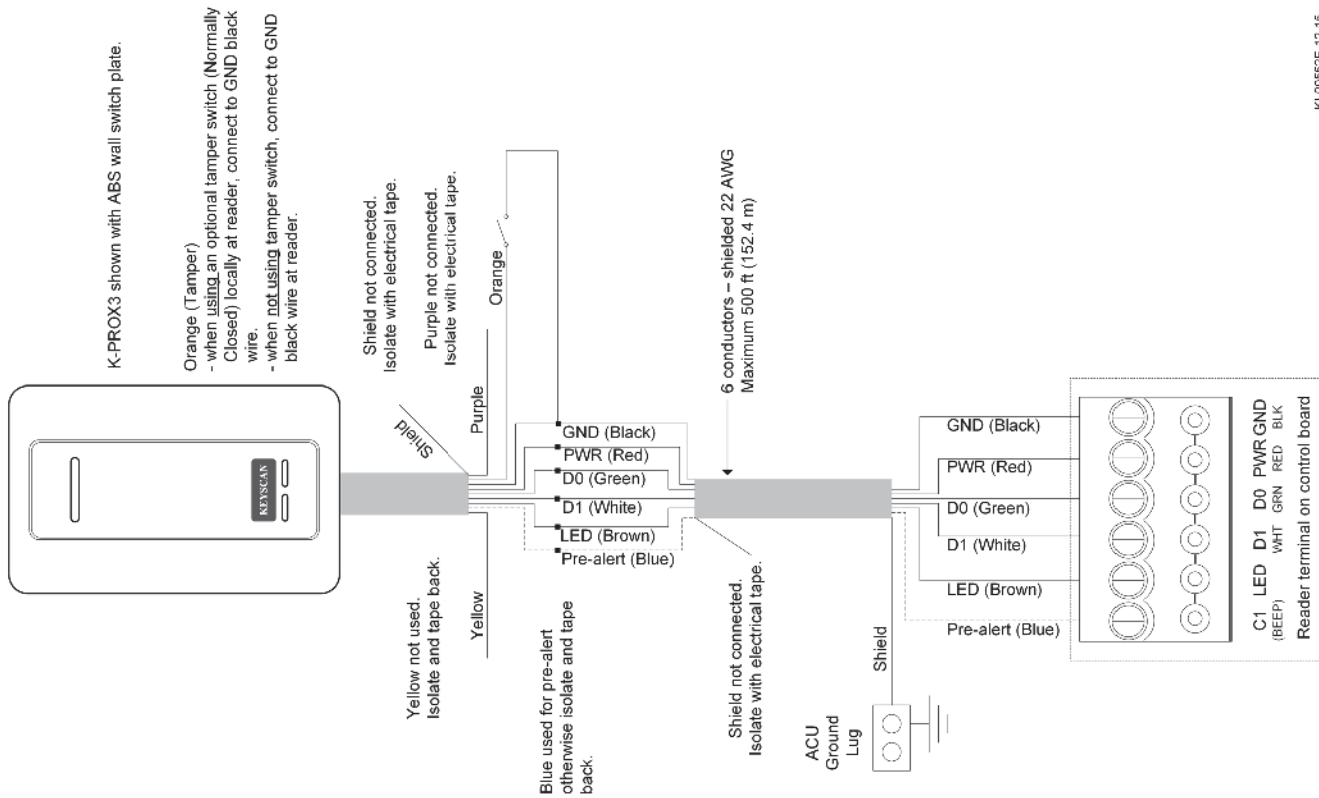
In the event of tampering, the Client software reports a reader tamper alarm.

Refer to the wiring diagram on the following page.

### **Heartbeat**

The K-PROX3 has an innovative heartbeat designed to detect a wiring fault or reader damage. In the event of a wiring fault or reader damage, the Client software reports a reader communication failure.

## K-PROX3 Connection to a PC109x Control Board



KI-00552E-12-15

## ABS Wall Plate Template

