



# KQ5 PREAMP EQUALIZER

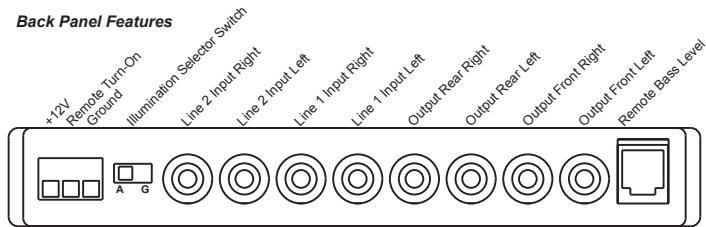
*Congratulations! You have just purchased the one of latest products in signal processing technology to carry the famous KICKER name. Your KICKER KQ5 is designed and built to give you years of trouble-free performance. This installation manual contains valuable information on how to get the most out of your new KQ5 Preamp equalizer. Thanks for buying KICKER. Enjoy!*

## Features & Controls

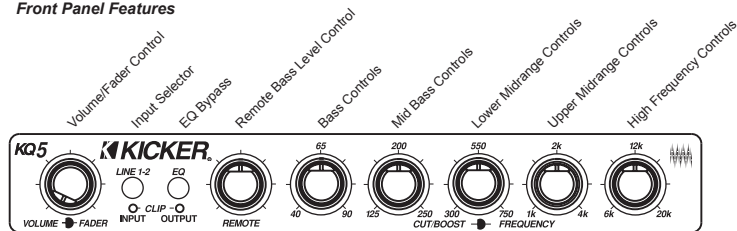
Virtually any car stereo system will benefit from the addition of a Kicker KQ5 Preamp/Equalizer. The built-in preamplifier stage raises the signal level of your head unit before sending it on to the amplifier(s). This reduces the noise floor of your system and increases the dynamic range. The equalizer portion of the Kicker KQ5 has five bands carefully placed across the audible spectrum to allow you to boost or cut specific frequencies and fine-tune your system's performance. Each band has a control which moves its center frequency up and down to precisely target the portion of the music you wish to control. Each band also has a control that allows you to boost or cut information at the chosen frequency up to 12dB.

Other features include illumination in a choice of amber or green, a remote bass level controller for the Kicker KX amplifiers, dual input capability, front to rear fader, and clipping indicator lights for input and output. All this housed in an attractive 1/2 DIN chassis with a fully isolated DC to DC power supply.

### Back Panel Features



### Front Panel Features



# Specifications

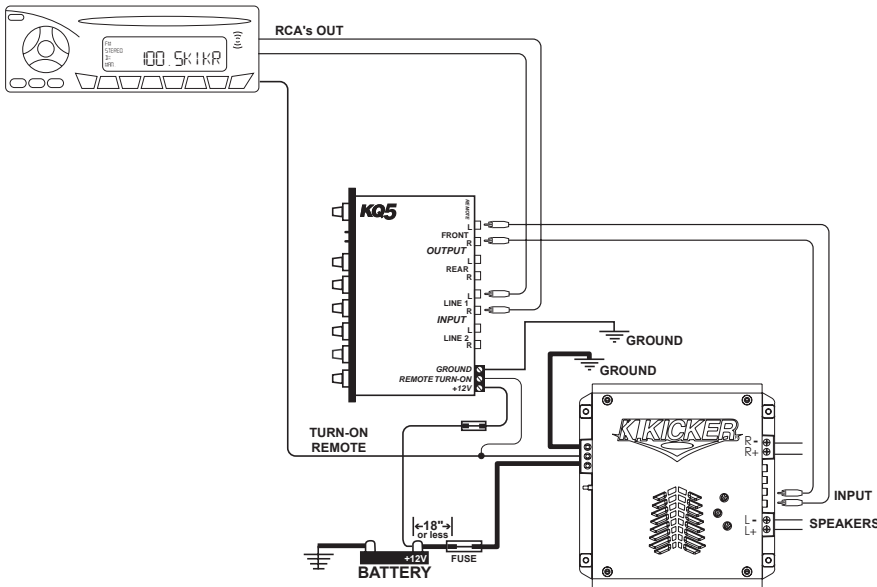
## Variable Frequency Ranges

- Band 1** (40-90Hz)
- Band 2** (125-250Hz)
- Band 3** (300-750Hz)
- Band 4** (1-4kHz)
- Band 5** (6-20kHz)

- Cut/Boost** - 12dB/12dB
- Input Sensitivity** - 950mV-6V
- Output Voltage** - 7.0Vrms
- Signal-to-Noise Ratio** - > 95dB

# Wiring Configurations

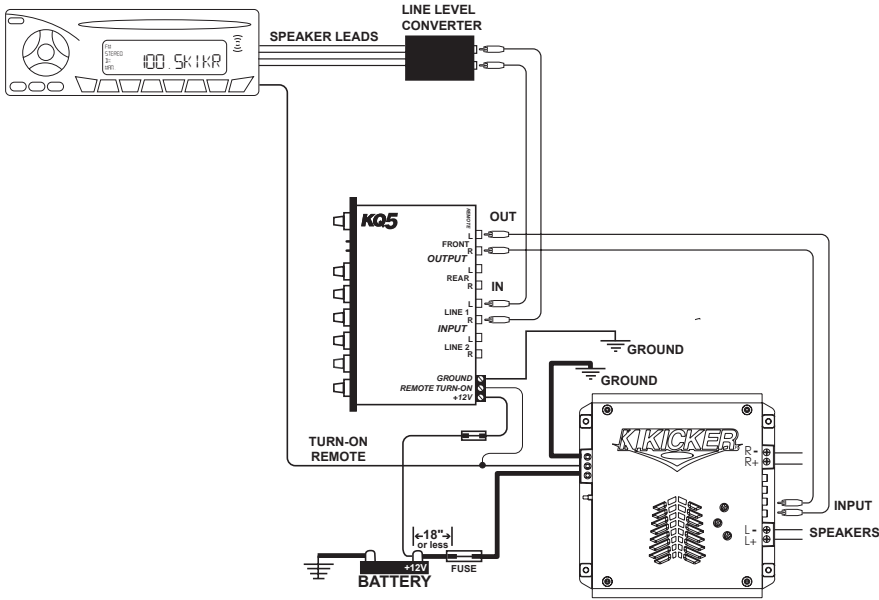
The KICKER KQ5 goes in the signal chain between the head unit(s) and the system's amplifiers. The most basic connection will be with one source unit and one amplifier:



When only one source unit is used it doesn't matter which set of input jacks are used. Just make sure the input selector switch on the KQ5 front panel is in the correct position (in for Line 2 input, out for Line 1 input). Likewise, if only one set of RCA cables are run to your amplifier(s), make sure the Fader Control is turned to the direction that gives you output to the jacks being used (clockwise for rear, counter-clockwise for front).

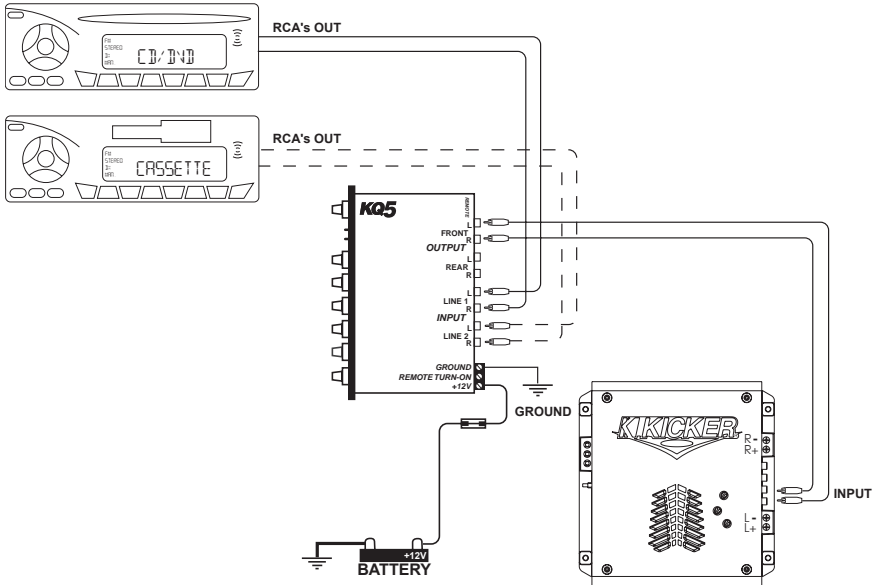
### Additional Wiring Configurations:

If you are using a source unit that does not have RCA jacks, a Line Level Converter must be connected between the speaker output leads and the KQ5. This is to prevent damage to the source unit.



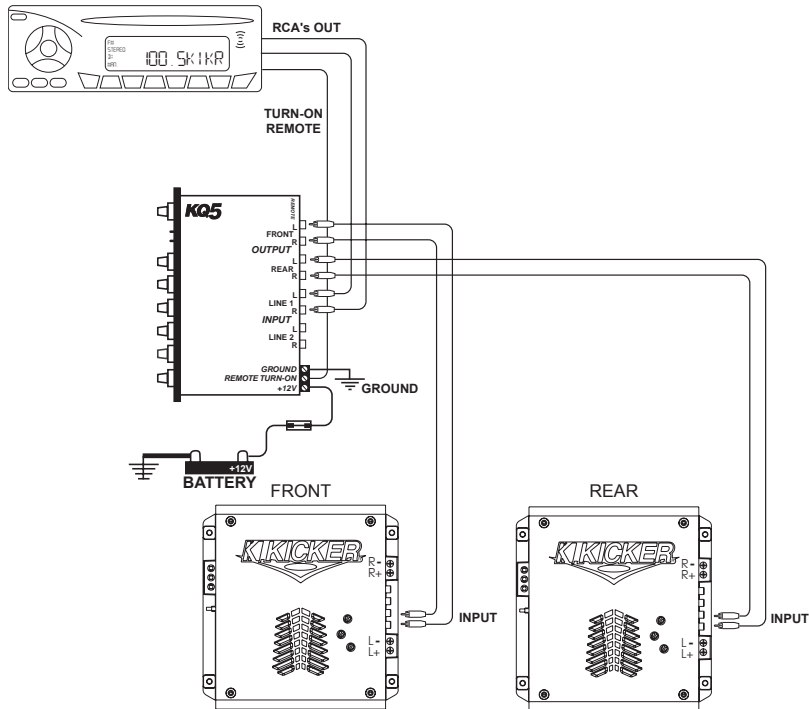
## Using Two Source Units:

Your KQ5 has two different inputs, marked Line 1 and Line 2. The source units can be just about any kind of units normally found in a car stereo system; video, video game, minidisc, portable CD, factory radio or aftermarket stereos with or without cassette or CD. This allows the use of two source units in a system. Separate gain controls allow for level matching of both source units in order to prevent hearing or speaker damage. Separate gain controls allow for level matching of both source units in order to prevent hearing or speaker damage.



## Using Front and Rear Outputs:

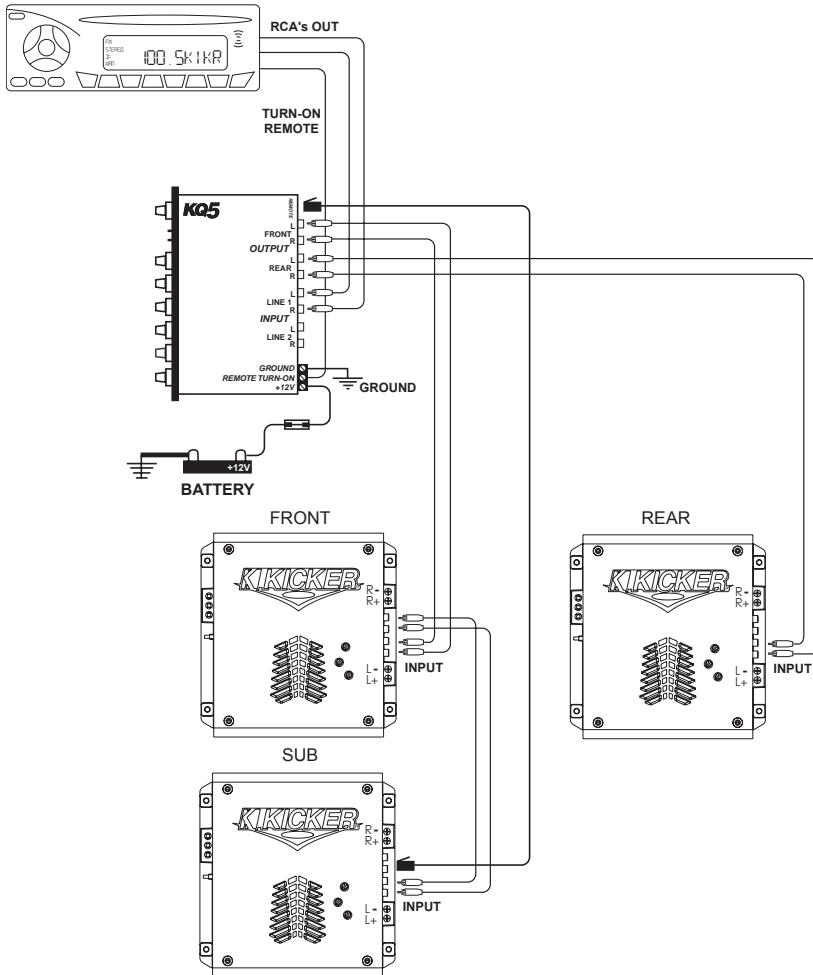
When used in systems with separate amplifier channel for the front and rear speakers, run two sets of RCA cables from the KQ5 to the amplifiers. This will allow the use of the built-in fader.



## Using the Remote Bass Level Control in the KQ5:

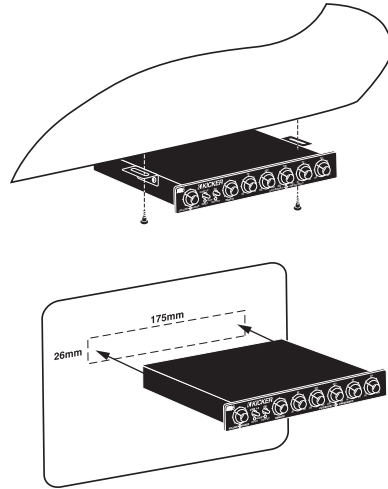
If you are using a KICKER KX amplifier that has a Remote Bass Level Control jack, the amplifier can be controlled from the KQ5. Just plug the phone cable (supplied with the amplifier) into the back of the KQ5 and plug the other end into the input jack on the amplifier. This eliminates the need to dash mount the Remote Bass Level Control knob. The knob labeled REMOTE now controls the KX amplifier (normally this controls the sub bass level). The RCA output jacks shown below are not available on the KX.3, KX.4 and KX.5 amplifiers. Not all KX amplifiers come with a Remote Bass Level Control. Check with your Authorized KICKER Dealer for availability.

**Note:** This control is still compatible with the RGX module in the ZR amplifiers, Impulse 405d amplifier, and the Impulse x3i crossover.



There are two basic mounting options for your KICKER KQ5. One is to mount under the dash with the supplied brackets, the other is to cut a hole through a suitable panel in the dash for a built-in look. If you choose the in-dash mounting method, be careful to cut the right size hole for the best appearance. Also take care not to let your KQ5 and/or its cables interfere with other in-dash components.

Some dash kit manufacturers make a special kit, for some vehicle models, that allows the installation of the KQ5 with a DIN head unit. Check with your local KICKER dealer for detailed information.



### **ADJUSTING AND USING THE KICKER KQ5 PREAMP/EQUALIZER**

Once all the wiring connections are made according to the system diagram which suits your configuration, the gain controls on your KQ5 and your amplifier(s) must be matched using the following procedure.

1. Turn the gain controls on your amplifier(s) all the way down.
2. Turn the volume control on the KQ5 all the way up.
3. Disconnect the remote lead to all amps, then turn on power to the system.
4. Turn up the volume control on source unit to 90% of maximum or until the input clip light starts to flash.
5. Using a small flat blade screwdriver, turn up the gain controls on the top of the KQ5 for the selected input source until the output clip light starts to flash.

Note: If two different source units are used, repeat steps 4 & 5 for the other source unit, making sure the input selector switch is in the correct position for each source.

6. Turn the volume control on the KQ5 all the way down.
7. Reconnect the remote leads to amps.
8. Turn the volume control on the KQ5 up to the desired listening level.

The KQ5 will have enough output to run most amplifiers to full power even when the amplifier gain controls are in the minimum position. If the amplifier doesn't seem to make full power then its gain control may be turned up slightly to reach the desired level. Remember that the gain control on an amplifier is a matching device. The lowest setting the will allow it to make full power is always the best for sound quality, low noise and reliability.

# ELECTRONICS LIMITED WARRANTY

Kicker warrants this product to be free from defects in material and workmanship under normal use for a period of **THREE (3) MONTHS** from date of original purchase. When purchased from and installed by an Authorized KICKER Dealer it is warranted for **TWO (2) YEARS** from date of original purchase, or **ONE (1) YEAR** from date of original purchase if purchased from but not installed by an Authorized KICKER Dealer. If the product is labeled "B Stock" and purchased from an Authorized KICKER Dealer, it is warranted for ONE (1) YEAR from date of purchase, regardless of place of installation. Should service be necessary under this warranty for any reason due to manufacturing defect or malfunction during the warranty period, Kicker will replace or repair (at its discretion) the defective merchandise with equivalent merchandise at no charge. Warranty replacements on "B-Stock" merchandise may have cosmetic scratches and blemishes. Discontinued products may be replaced with more current equivalent products.

This warranty is valid only for the **original purchaser** and is not extended to owners of the product subsequent to the original purchaser. Any applicable implied warranties are limited in duration to a period of the express warranty as provided herein beginning with the date of the original purchase at retail, and no warranties, whether express or implied, shall apply to this product thereafter. Some states do not allow limitations on implied warranties, therefore these exclusions may not apply to you.

This warranty gives you specific legal rights; however you may have other rights that vary from state to state.

## WHAT TO DO IF YOU NEED WARRANTY OR SERVICE

Defective merchandise must be returned to your local Authorized Stillwater Designs (Kicker) Dealer for warranty. Assistance in locating an Authorized Dealer can be obtained by writing or calling Stillwater Designs direct. You can confirm that a dealer is authorized by asking to see a current authorized dealer window decal.

If it becomes necessary for you to return defective merchandise, call the Kicker Customer Service Department at (405)624-8510 for a Return Authorization (RMA) number. Package all defective items in the original container or in a package that will prevent shipping damage, and return to

**Stillwater Designs, 5021 North Perkins Road, Stillwater, OK 74075**

The RMA number must be clearly marked on the outside of the package. Return only defective components. Return of entire cabinets, system packs, pairs, etc. increases your return freight charges. Non-defective items received will be returned freight collect.

Include a dated **proof-of-purchase** stating the Customer name, Dealer name, product purchased and date of purchase. Warranty expiration on items without proof-of-purchase will be determined from type of sale and the manufacturing date code. Freight must be prepaid; items received freight collect will be refused.

Failure to follow these steps may void your warranty. Any questions can be directed to the Kicker Customer Service Department at (405)624-8510.

## WHAT IS NOT COVERED?

This warranty is valid only if the product is used for the purpose for which it was designed. It does not cover:

- Damage due to improper installation
- Subsequent damage to other components
- Damage caused by exposure to moisture, excessive heat, chemical cleaners, and/or UV radiation
- Damage through negligence, misuse, accident or abuse. Repeated returns for the same damage may be considered abuse.
- Any cost or expense related to the removal or reinstallation of product
- Speakers damaged due to amplifier clipping or distortion
- Items previously repaired or modified by any unauthorized repair facility
- Return shipping on non-defective items
- Products with tampered or missing barcode labels
- Products returned without a Return Authorization (RMA) number
- Freight Damage
- The cost of shipping product to Kicker
- Service performed by anyone other than Kicker
- Speaker with any foreign caulk used for gasket material

## HOW LONG WILL IT TAKE?

Kicker strives to maintain a goal of 24-hour service for all returns. Delays may be incurred if lack of replacement inventory or parts is encountered.

## INTERNATIONAL WARRANTY

Contact your International Kicker dealer or distributor concerning specific procedures for your country's warranty policies.



P.O. Box 459 • Stillwater, Oklahoma 74076 • U.S.A. • 405 624-8510

STILLWATER  
Designs®

# WARNING:

KICKER drivers are capable of producing sound levels that can permanently damage your hearing! Turning up a system to a level that has audible distortion is more damaging to your ears than listening to an undistorted system at the same volume level. The threshold of pain is always an indicator that the sound level is too loud and may permanently damage your hearing. Please use common sense when controlling volume!

August 2002