

KICKER®

KS60 & KS80 SUBSTATIONS ENCLOSURE SYSTEMS

The KICKER KS-series Substations are versatile high performance enclosures intended for use as subwoofers in multi-speaker installations. These enclosures are designed to fit in the rear of a hatchback-type car or the trunk of a sedan. There are three different tuning options available, depending on your musical preferences, and with the included Bass Contour Adaptors you have the option of dynamic vented performance, or maximum low bass extension.

GENERAL INSTALLATION INFORMATION

Since these enclosures are designed with the driver on one end and the port on the opposite end, different tuning options are available.

In a truck the boundary loading effect is provided by the corners of the cargo area.

In a hatchback or sedan trunk the boundary effect is provided by the corners of the cargo area (See Diagram 1).

Your musical preference will determine which tuning is best for you.

For Pop, Rock and Universal applications:

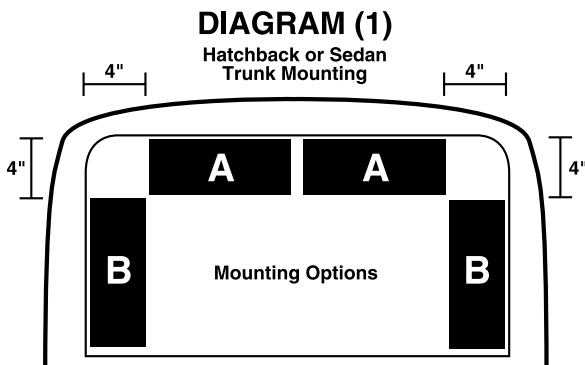
The most efficient and versatile application of KS-Series Enclosures is with the Bass Contour Adaptors out and the ported end of the boxes facing into the corner of the vehicle.

For Rap, Industrial and hard-hitting music:

The best performance for this type of music is achieved by leaving the Bass Contour Adaptors out and facing the woofer end of the boxes into the corners of the vehicle.

For Jazz, R&B and Classical music:

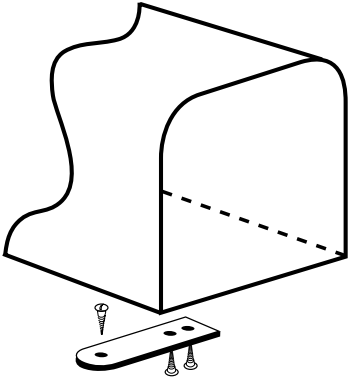
The most extended low frequency response is obtained by leaving the Bass Contour Adaptor in place and mounting the boxes with the ported end facing the corners of the vehicle.



AMERICA'S MUSIC MACHINESSM

After determining the location for your KS-Series Subwoofer Enclosure by trial fitting, find the best placement for the mounting brackets. Each bracket must be positioned so that the rounded end protrudes from under the cabinets firmly to the vehicle (See Diagram 2). In a truck application the KS-Series Enclosure can mount with the flat side towards the back of the cab to allow room for two brackets on the top edge and one bracket on each end.

DIAGRAM 2



If the enclosed brackets are not applicable to your installation, some other means must be utilized to secure the speakers to the vehicle.

For optimum sound quality the KICKER KS-Series Enclosure should be used with some form of low pass crossover. This can be a passive crossover (such as the KICKER SW100) or and electronic crossover used before a dedicated subwoofer amplifier.

When wiring the Substations to your amplifier, connect the positive output from one channel to the red input terminal of one speaker, then connect the negative output from that channel to the black input terminal of the speaker. Repeat this procedure for the other Substation.

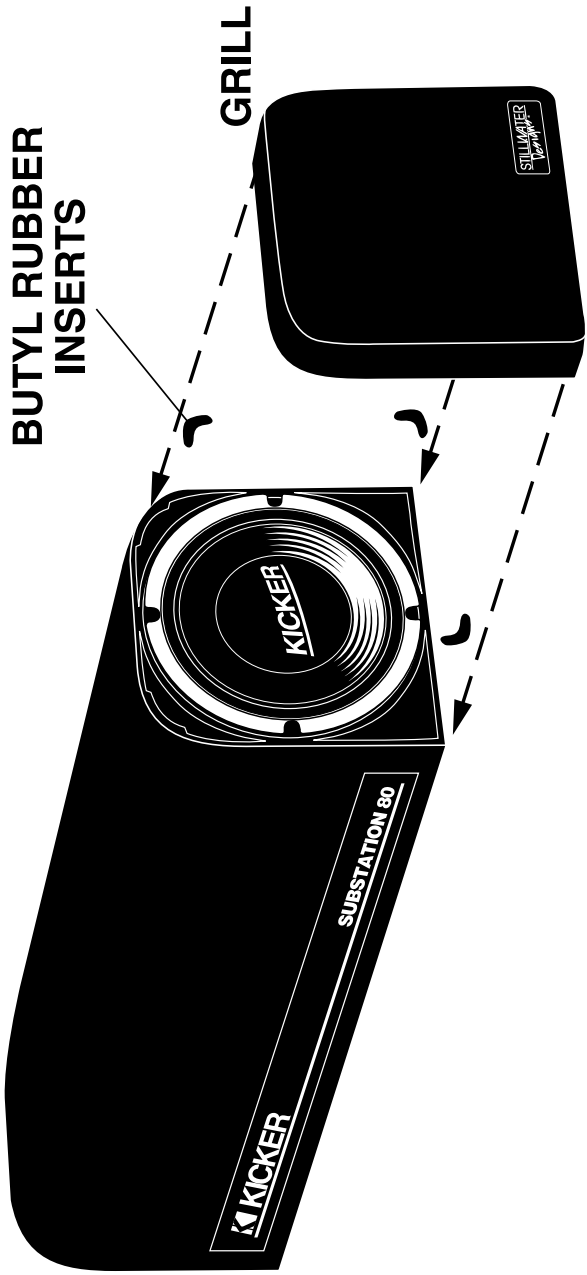
The wiring configuration can vary depending on the impedance capability of your source. For wiring suggestions other than those described above, please consult the manufacturer of your amplifier.

SPECIFICATIONS

Model	KS60	KS80
Frequency Response	32-1kHz	29-1kHz
Maximum Amplifier Power*	100 watts RMS	150 watts RMS
Impedance	4 Ohms	4 Ohms

*Assumes typical music program with minimal amplifier clipping.

DIAGRAM 3 - GRILL INSTALLATION



SPEAKER SYSTEMS LIMITED WARRANTY

Stillwater Designs warrants this product to be free from defects in material and workmanship under normal use for a period of **one (1) year from date of original purchase**, unless this product is labeled "B Stock", in which case it is warranted for ninety (90) days from date of purchase. Should service be necessary under this warranty for any reason due to manufacturing defect or malfunction during the warranty period, Stillwater Designs will replace or repair (at its discretion) the defective merchandise with equivalent merchandise at no charge. Warranty replacements on "B-Stock" may have cosmetic scratches and blemishes. Discontinued products may be replaced with equivalent products.

This warranty is valid only for the **original purchaser** and is not extended to owners of the product subsequent to the original purchaser. Any applicable implied warranties are limited in duration to a period of the express warranty as provided herein beginning with the date of the original purchase at retail, and no warranties, whether express or implied, shall apply to this product thereafter. Some states do not allow limitations on implied warranties, therefore these exclusions may not apply to you.

This warranty gives you specific legal rights; however you may have other rights that vary from state to state.

WHAT TO DO IF YOU NEED WARRANTY OR SERVICE

Defective merchandise must be returned to your local Authorized Stillwater Designs (Kicker/Impulse) Dealer for warranty. Assistance in locating an Authorized Dealer can be obtained by writing or calling Stillwater Designs direct. You can confirm that a dealer is authorized by asking to see a current authorized dealer window decal.

If it becomes necessary for you to return defective merchandise, call the Kicker Customer Service Department at (405)624-8510 for a Return Authorization (RA) number. Package all defective items in the original container or in a package that will prevent shipping damage, and return to

Stillwater Designs, 5021 North Perkins Road, Stillwater, OK 74075

The RA number must be clearly marked on the outside of the package. Return only defective components. Return of entire cabinets, system packs, pairs, etc. increases your return freight charges. Non-defective items received will be returned freight collect.

Include a **dated proof-of-purchase** from an Authorized Dealer. Warranty expiration on items returned without proof-of-purchase will be determined from the manufacturing date code. Coverage may be invalidated if this date is greater than one (1) year previous to the date item is sent in. Freight must be prepaid; items received freight collect will be refused.

Failure to follow these steps may void your warranty. Any questions can be directed to the Kicker Customer Service Department at (405)624-8510.

WHAT IS NOT COVERED?

This warranty is valid only if the product is used for the purpose for which it was designed. It does not cover:

- Install slips (screwdriver holes)
- Damage caused by exposure to water and/or excessive heat.
- Damage through negligence, misuse, or accident.
- Items physically damaged due to abuse.
- Freight damage.
- The cost of shipping product to Stillwater Designs Service.
- Items previously repaired by any unauthorized repair facility.
- Items returned from unauthorized individuals or dealers.
- Return shipping on non-defective items.
- Speakers damaged due to amplifier clipping or distortion.
- Speakers with silicon caulk used for gasket material.

HOW LONG WILL IT TAKE?

Stillwater Designs maintains a goal of 24-hour service for all returns. Delays may be incurred if lack of replacement inventory or parts is encountered.

INTERNATIONAL WARRANTY

Contact your International Stillwater Designs dealer or distributor concerning specific procedures for your country's warranty policies.

STILLWATER
Designs®

P.O. Box 459 • Stillwater, Oklahoma 74076 • U.S.A. • 405 624-8510

WARNING!

KICKER drivers are capable of producing sound levels that can permanently damage your hearing! Turning up a system to a level that has audible distortion is more damaging to your ears than listening to an undistorted system at the same volume level. The threshold of pain is always an indicator that the sound level is too loud and may permanently damage your hearing.

Please use common sense when controlling volume!

MARCH 2000