

# KICKER®



## KX550.3 / KX700.5

---

*Congratulations! You have just purchased the latest in amplifier technology to carry the famous KICKER name. Your KICKER KX series amplifier is designed and built to give you years of powerful and trouble-free performance. This installation manual contains valuable information on how to get the most out of your new KX series amplifier. Thanks for buying KICKER. Enjoy!*

---

### KX Amplifier Features

**NEW for 2002** Radically advanced chassis with removable chassis shroud.

**Low Impedance Operation** Stable into 2 ohm stereo or 4 ohm mono loads.

**Class D Amplification** Used in subwoofer channel for high efficiency.

**SHORT Protection Circuitry** (Short circuit, **O**ver-voltage, **R**everse polarity, **T**hermal) Protects amplifier from accidents and undesired operation.

**MOSFET Power Supply** Provides high efficiency operation.

**KickBass** Variable bass boost circuit which provides up to 18 dB of boost at 40 Hz.

**Built-In Variable Crossover** 12 dB High pass variable from 50-200 Hz. Defeatable for full range operation.

**High & Low level inputs** Allows connection to various sources such as: after-market stereo, factory radio, DVD Player, Video Cassette Player, etc..

**Custom tooled gold plated connectors** Assure maximum power transfer and damping.

**SAMS** (Stereo **A**nd **M**ono **S**imultaneously) Amplifier will operate into a bridged mono load and a stereo load at the same time.

**Remote Bass Level Control** Dash mounted for maximum control.

**Three Year Warranty** When *purchased from and installed by* an Authorized KICKER Dealer.

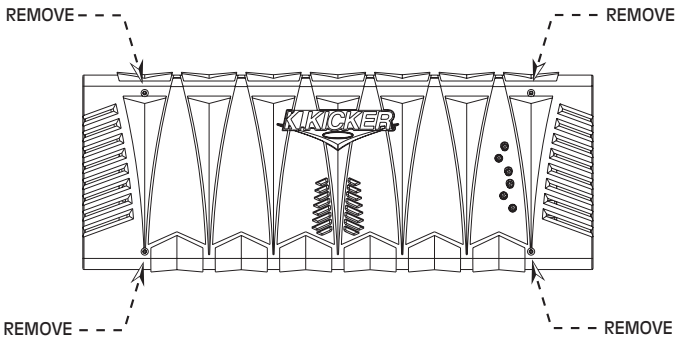
# Mounting Instructions

When selecting a location to mount your Kicker amplifier be sure it is structurally sound and that there are no items behind the area where the screws will be driven that could be damaged. Check for wire harnesses, brake lines, fuel lines, gas tanks, etc.

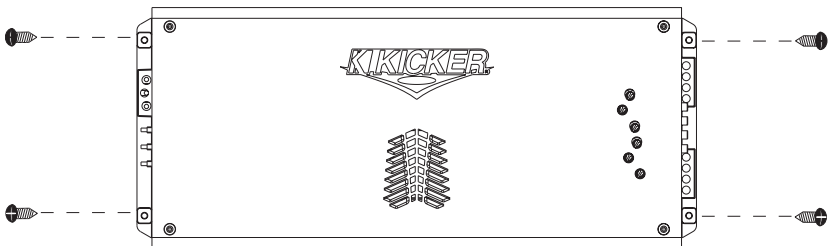
All amplifiers generate heat under normal operation. Be sure to choose a location that allows adequate ventilation for the amplifier. Also consider that the air temperature inside an automobiles trunk can reach upwards of 140 degrees fahrenheit. An amplifier mounted here may require additional cooling tactics such as fans or venting to allow cool operation. If possible, mounting the amp in the passenger compartment will allow cooler operation.

Remember that the controls on top of the amp will need to be accessible for adjustment later. Keep this in mind as you choose your amplifier's mounting location.

Now that you are ready to mount your amplifier, use the supplied 3mm allen wrench to remove the amplifier shroud. This will give you access to the mounting holes in the amplifier and all wiring connections.



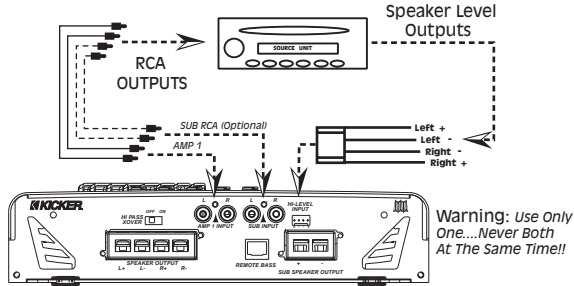
With the shroud removed, you now have access to the four mounting holes in the mounting feet and all wiring connections. Drill 4 holes using a 7/64" drill bit and use the supplied #8 screws to mount the amplifier.



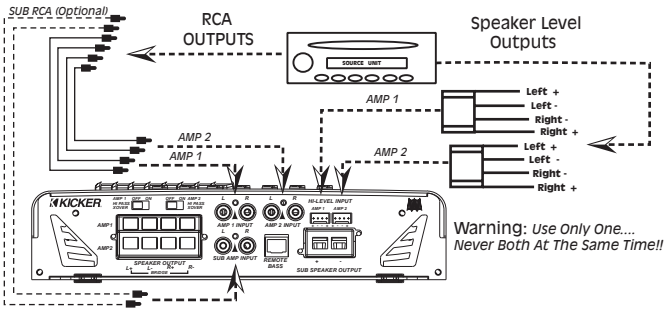
# Wiring Instructions

Signal can be input into the amplifier using either the low level RCA input connections or the high level (speaker level) connections. Using the low level RCA connections is the preferred method. Use the high level inputs only if your head unit does not have low level RCA type outputs.

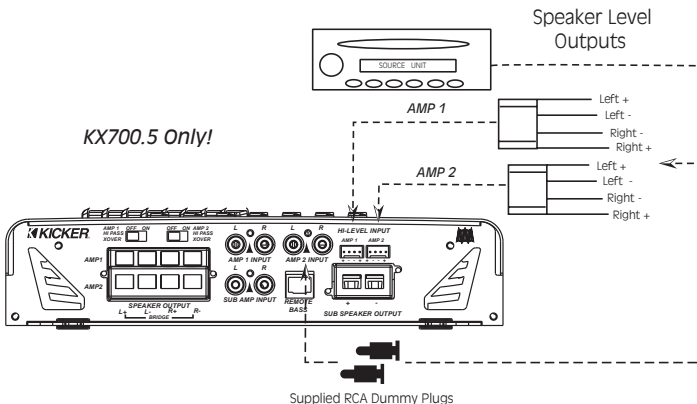
## KX550.3 Wiring



## KX700.5 Wiring



When using both sets of High Level inputs on the KX700.5, the supplied RCA dummy plugs must be inserted into the AMP 2 inputs in order for the fader to work properly. If the amplifier is being used in any other configuration DO NOT USE THE RCA DUMMY PLUGS!



The use of twisted pair interconnects is recommended for all installations to minimize noise. When routing these cables through the automobile, try to keep them away from factory wiring harnesses and other power wiring. If you need to cross any of this wiring do so at a 90 degree angle to reduce the potential of noise problems.

When working with power connections it is always recommended that you disconnect the battery to prevent accidents.

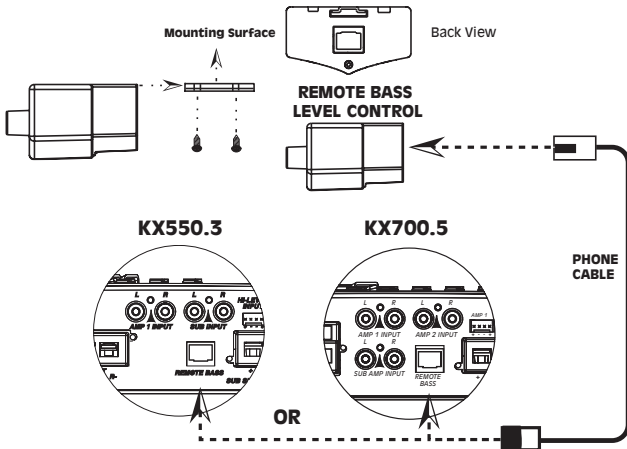
The ground should be connected to the amplifier first before making any of the other connections. This wire should be as short as possible (24 inches or less) and connected to a paint/corrosion free solid metal area of the car's chassis. Use the same gauge wire as recommended for the amplifiers power connection to the battery. Adding an additional ground wire between the car battery's negative post and the car chassis of this same gauge (or larger) is also recommended. If you ever need to remove the amp from the vehicle after it has been installed, the ground wire should be the last wire disconnected from the amplifier, just the opposite as when you installed it.

A fuse must be installed within 18 inches of the battery to protect the power wire feeding your amplifier. This fuse should be of at least the same value used in the amplifier but no higher than the capacity of the wire. See the chart below for wire size and fusing recommendations.

Model	Fuse Size	Wire Size
<b>KX-550.3</b>	60A	4 GA
<b>KX-700.5</b>	90A	4 GA

## Remote Bass Level Control

When using the Remote Bass Level Control you have the ability to control the level of the subs from the driver's seat. To mount the controller simply screw the metal bracket to the chosen location, then slide the housing onto the bracket until it snaps into place. Run the cable from the controller to the appropriate jack on the amplifier chassis.

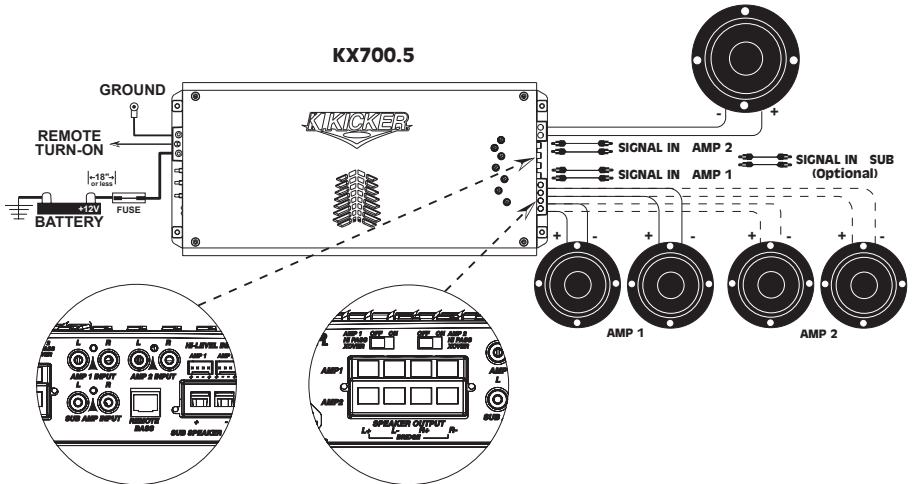
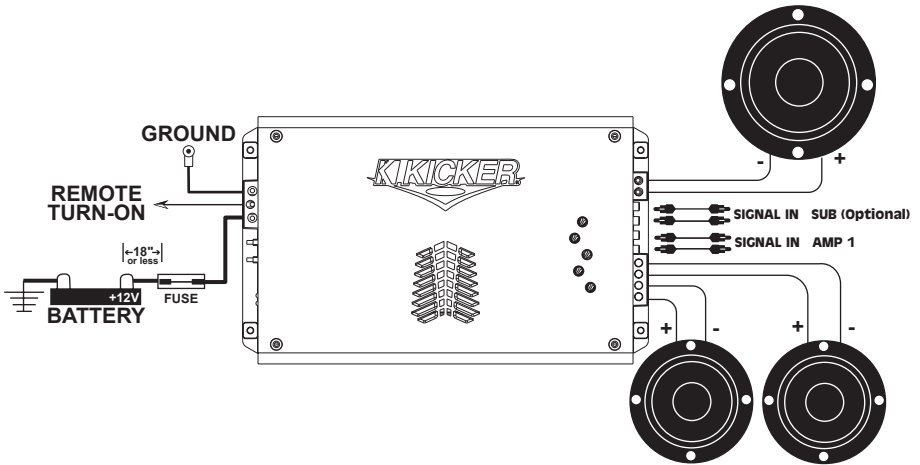


# System Diagrams

The following diagrams show the most common configurations for your system.

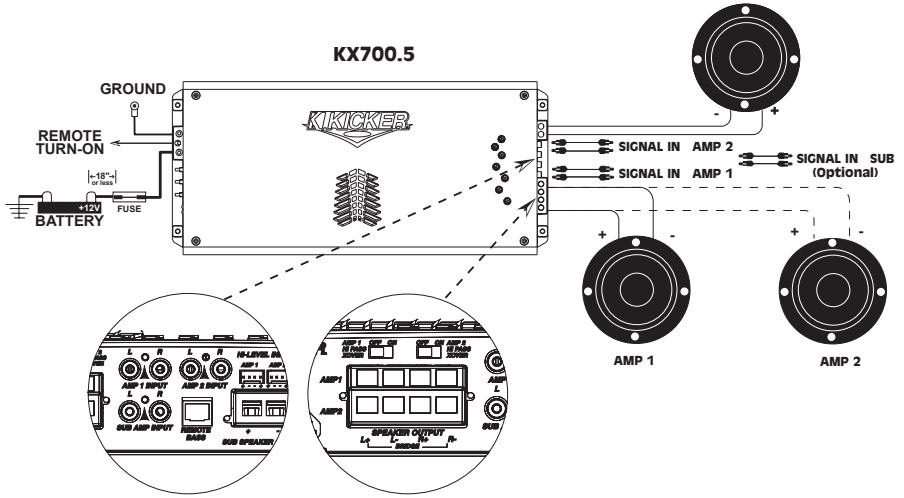
## Stereo Operation with Subwoofer

KX amplifiers are capable of operating into a minimum impedance of 2 ohms per channel in stereo operation and 2 Ohm mono on the subwoofer channel.



## All Channels Bridged

The KX700.5 is capable of bridged operation on AMP 1 and AMP 2. This, for example, would allow you to bridge AMP 1 to run the **Right** side and AMP 2 to run the **Left** side. *But remember AMP 1 and AMP 2 are only stable down to 4 ohm mono.*



# Adjusting Amplifier Controls

On your Kicker amplifier there are Five (Seven on the KX700.5) rotary controls on top and one (two on the KX700.5) switch(es) on the end panel. These controls ensure the reliability and performance of the amplifier, so they need to be set correctly.

## CROSSOVER SWITCH

### NEVER CHANGE THE CROSSOVER SWITCH SETTING WITH THE SYSTEM ON!

The switch located on the end panel next to the RCA jacks is for setting the internal crossover. In the **OFF** position the amplifier passes a full range signal to the speakers. The **HI** position should be selected when connected to any speakers which you do not want to receive sub-bass information.

### BEFORE TURNING ON THE SYSTEM FOR THE FIRST TIME, MAKE SURE THAT THE FIVE (SEVEN ON THE KX700.5) ROTARY CONTROLS ON TOP OF THE AMPLIFIER ARE TURNED FULLY COUNTER-CLOCKWISE!

## GAIN CONTROL

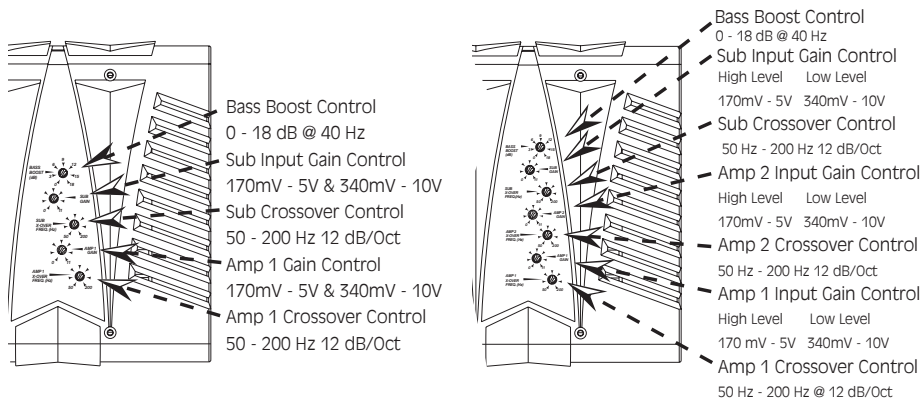
Remember, the gain control is not a volume control, it matches the output of the head unit to the input level of the amplifier and must be adjusted properly for best performance. All the way up or down is not necessarily the best. Turn the head unit up to about 3/4 volume. (eg. If the head unit goes to 30, turn it to 25.) Next, turn (clockwise) the gain on the amplifier up slowly until you can hear audible distortion, then turn it down just a little. AMP 1 should be set first, then AMP 2 (KX700.5 only) and finally the SUB.

## Crossover Control

Where you set the crossover is very subjective and can be fine tuned to match your listening preference or speaker requirements.

## Bass Boost

The BASS BOOST control is designed to give you increased output at 40 Hz. The setting for this control is subjective, however, if you turn it up, you must go back and adjust the gain control to avoid clipping the amplifier.



# Specifications

Model	KX550.3	KX700.5
-------	---------	---------

## RMS Power

In Watts, All Channels Driven

@ 13.8V, 4Ω Stereo, 0.085% THD	40 x 2	40 x 4
@ 13.8V, 2Ω Stereo, 0.2% THD	75 x 2	75 x 4
@ 13.8V, 4Ω Mono, 0.4% THD		150 x 2

SUB Power

In Watts, All Channels Driven

@ 13.8V, 2Ω Mono, 1.5% THD	400 x 1	400 x 1
----------------------------	---------	---------

## Dynamic Power

In Watts, All Channels Driven

@ 14.4V, 4Ω Stereo	70 x 2	70 x 4
@ 14.4V, 2Ω Stereo	80 x 2	80 x 4
@ 14.4V, 4Ω Mono		165 x 2

SUB Power

In Watts, All Channels Driven

@ 14.4V, 2Ω Mono	420 x 1	420 x 1
------------------	---------	---------

Length with Shroud	24.25" (48.90cm)	27.50" (57.15cm)
--------------------	---------------------	---------------------

## Specifications common to all models

Height:	2.5 inches / 6.35 centimeters
Width:	10 inches / 25.4 centimeters
Length without Shroud:	Subtract 5" / 12.7cm from chart above
Frequency Response:	20 Hz - 20 KHz, +0, -1 dB
Input Sensitivity:	170 mV - 5 V low level, 340 mV - 10 V high level
Signal-to-Noise Ratio:	>95 dB, a-weighted, re: rated power
Electronic Crossover:	Variable high or low pass, 50 - 200 Hz, 12 dB/octave
KickBass Boost:	Variable 0 to +18 dB boost @ 40 Hz



# Troubleshooting

If your amplifier does not appear to be working, check obvious things first such as blown fuses, poor or incorrect wiring connections, crossover and gain controls set incorrectly, etc.

There are two LEDs on the end panel of your Kicker KX series amplifier, one green and one red. When the green LED is lit this indicates the amplifier is turned on and no trouble exists. If the green LED turns off and the red LED is lit this indicates that the protection circuitry (**SOFT**) is engaged.

The power indicator on top of the amplifier which illuminates the model badge follows the same function as the green LED.

## ○ Green LED off, no output:

*With a Volt Ohm Meter (VOM) check:*

- ⇒ +12 volt power terminal (should read +12V to +16V).
- ⇒ Remote turn-on terminal (should read +12V to +16V).
- ⇒ Ground terminal.

## ○ Green LED on, no output:

- ⇒ Check RCA connections.
- ⇒ Test speaker outputs with known good speaker.
- ⇒ Substitute known good source unit.
- ⇒ Check for signal on RCA cable with VOM meter in AC position.

## ○ Red LED on, no output:

- 1.) Amp is very hot.
  - ⇒ Thermal protection is engaged. Check for proper impedance at speaker terminals. Also check for adequate airflow around amplifier.
- 2.) Amp shuts down only while vehicle is running.
  - ⇒ Voltage protection is engaged. Voltage to the amplifier is not within the 9-16 volt operating range. Have automobile charging/electrical system inspected.
- 3.) Amp will only play at low volume levels.
  - ⇒ Short circuit protection is engaged. Check for speaker wires shorted to each other or the vehicle chassis. Damaged speakers or operating below minimum impedance will also cause this.

## ○ No output from one channel:

- ⇒ Check balance control on head unit.
- ⇒ Check RCA & speaker connections for that channel.
- ⇒ Swap RCA connections from left to right.
  - If problem changes sides then you have a bad RCA cable or source unit problem.*
- ⇒ Swap speaker connections from left to right.
  - If problem changes sides then you have a bad speaker cable or bad speaker.*

- **Alternator noise (whining sound that varies with engine RPM):**
  - ⇒ Check for damaged RCA cable.
  - ⇒ Check routing of RCA cable.
  - ⇒ Check source unit for good ground.
  - ⇒ Check gain setting, turn down if set too high.
  
- **Poor stereo image or reduced bass response:**
  - ⇒ Check system phasing by turning the balance control from left to right. If there is more bass output when turned to either side then check your speaker wiring for proper positive and negative connections. reverse connections on one channel if necessary.

**CAUTION:** When jump starting the vehicle, be sure that connections made with jumper cables are correct. Improper connections can result in blown amplifier fuses as well as failure in other systems in the vehicle.

If you have more questions about the installation and operation of your new **KICKER** amplifier, see the Authorized **KICKER** Dealer in your area. You may also call our Technical Services Line at (405)624-8583 for assistance or visit our website at [www.KICKER.com](http://www.KICKER.com).

## Notes

# ELECTRONICS LIMITED WARRANTY

Stillwater Designs warrants this product to be free from defects in material and workmanship under normal use for a period of **three (3) years from date of original purchase when purchased from and installed by an Authorized KICKER Dealer or one (1) year from date of original purchase if purchased from and not installed by an Authorized KICKER Dealer.** If this product is labeled "B Stock", it is warranted for one (1) year from date of purchase, regardless of place of installation. Should service be necessary under this warranty for any reason due to manufacturing defect or malfunction during the warranty period, Stillwater Designs will replace or repair (at its discretion) the defective merchandise with equivalent merchandise at no charge. Warranty replacements on "B-Stock" merchandise may have cosmetic scratches and blemishes. Discontinued products may be replaced with equivalent products.

This warranty is valid only for the **original purchaser** and is not extended to owners of the product subsequent to the original purchaser. Any applicable implied warranties are limited in duration to a period of the express warranty as provided herein beginning with the date of the original purchase at retail, and no warranties, whether express or implied, shall apply to this product thereafter. Some states do not allow limitations on implied warranties, therefore these exclusions may not apply to you.

This warranty gives you specific legal rights; however you may have other rights that vary from state to state.

## WHAT TO DO IF YOU NEED WARRANTY OR SERVICE

Defective merchandise must be returned to your local Authorized Stillwater Designs (Kicker) Dealer for warranty. Assistance in locating an Authorized Dealer can be obtained by writing or calling Stillwater Designs direct. You can confirm that a dealer is authorized by asking to see a current authorized dealer window decal.

If it becomes necessary for you to return defective merchandise, call the Kicker Customer Service Department at (405)624-8510 for a Return Authorization (RA) number. Package all defective items in the original container or in a package that will prevent shipping damage, and return to

**Stillwater Designs, 5021 North Perkins Road, Stillwater, OK 74075**

The RA number must be clearly marked on the outside of the package. Return only defective components. Non-defective items received will be returned freight collect.

Include a **dated proof-of-purchase** from an Authorized Dealer. Warranty expiration on items returned without proof-of-purchase will be determined from the manufacturing date code. Coverage may be invalidated if this date is greater than 18 months previous to the date item is sent in. Freight must be prepaid; items received freight collect will be refused.

Failure to follow these steps may void your warranty. Any questions can be directed to the Kicker Customer Service Department at (405)624-8510.

## WHAT IS NOT COVERED?

This warranty is valid only if the product is used for the purpose for which it was designed. It does not cover:

- Products purchased from an unauthorized dealer.
- Damage due to improper installation.
- Damage caused by exposure to water, excessive heat, chemical cleaners, and/or UV radiation.
- Damage through negligence, misuse, accident or abuse. Repeated returns for the same damage may be considered abuse.
- Freight damage.
- The cost of shipping product to Stillwater Designs.
- Items previously repaired or modified by any unauthorized repair facility.
- Items returned from unauthorized individuals or dealers.
- Return shipping on non-defective items.
- Products with tampered or missing barcode labels.
- Products returned without a Return Authorization (RA) number.

## HOW LONG WILL IT TAKE?

Stillwater Designs maintains a goal of 24-hour service for all returns. Delays may be incurred if lack of replacement inventory or parts is encountered.

## INTERNATIONAL WARRANTY

Contact your International Stillwater Designs dealer or distributor concerning specific procedures for your country's warranty policies.



P.O. Box 459 • Stillwater, Oklahoma 74076 • U.S.A. • 405 624-8510

STILLWATER  
Designs®

# WARNING:

KICKER drivers are capable of producing sound levels that can permanently damage your hearing! Turning up a system to a level that has audible distortion is more damaging to your ears than listening to an undistorted system at the same volume level. The threshold of pain is always an indicator that the sound level is too loud and may permanently damage your hearing. Please use common sense when controlling volume!

**KICKER**<sup>®</sup>  
**LIVIN' LOUD**