



RECHARGE BATTERY BEFORE OPERATION!

*Please read entire manual prior to operation.

* Keep box and manual for future reference.

Safety Precautions:

- Children should be aware of dangers associated with playing near water before operating near or around water.
- Always select a safe place to play. Never drive your vehicle on populated street.
- Operate only in fresh water with little to no current.
- Do not operate in water during heavy winds.
- Do not operate during electrical storms.
- Keep fingers, hair and loose clothing away from tires, wheel hubs and motors while the vehicle is on.
- **USE UNDER ADULT'S DIRECT SUPERVISION!**

CAUTION-ELECTRIC TOY : NOT RECOMMENDED FOR CHILDREN UNDER 5 YEARS OF AGE AS WITH ALL ELECTRIC PRODUCTS PRECAUTIONS SHOULD BE OBSERVED DURING HANDLING AND USE TO PREVENT ELECTRIC SHOCK.

MODEL:AD-1230-UL(8) INPUT:AC120V60Hz7W OUTPUT:DC12V300mA

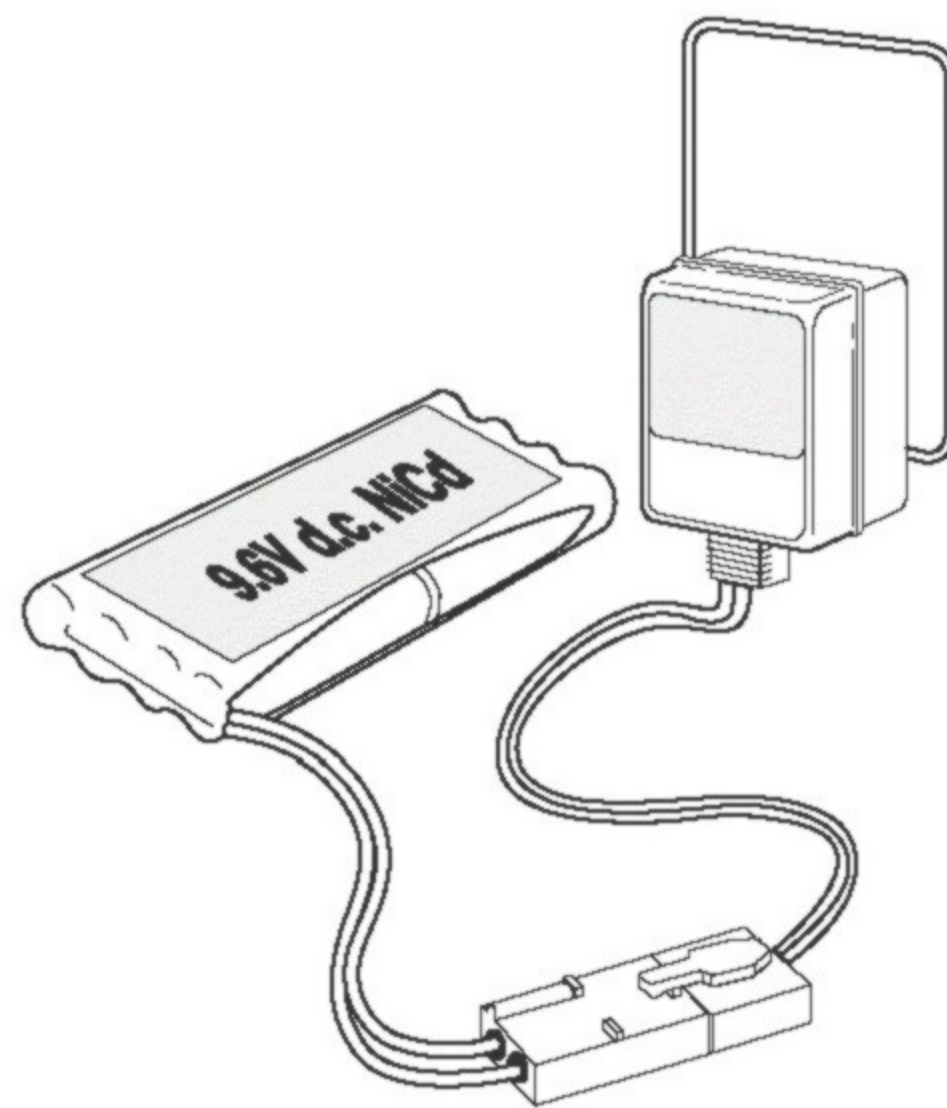
Battery Requirements:

One piece of 9V alkaline battery for controller (not included)

One 9.6V Rechargeable battery with charger (included)

9.6V Battery Charging – Please use under adult supervision

1. Join the connector of the charger to the connector of the battery pack.
2. Plug the charger into an electrical outlet.
3. After charging is complete, detach the charger from the outlet and disconnect the battery from the charger.
4. New battery pack must be charged for 5 1/2 hours the first two times charged. Subsequent charges will require 4 hrs. Charging the battery pack for more than 5 1/2 hrs will not give you a longer running time. 4 hrs is all that required.
5. Unlike alkaline batteries which lose power gradually, a rechargeable battery will run for its normal running time and then lose most of its power at once. That's when you'll know it's time to recharge the battery pack.
6. After use, the battery pack will be hot! Wait until the battery pack cools before recharging. Recharging a warm or hot battery pack will greatly reduce the number of times your battery pack can be recharged.
7. The charger must be disconnected from the electric supply when charging completed.

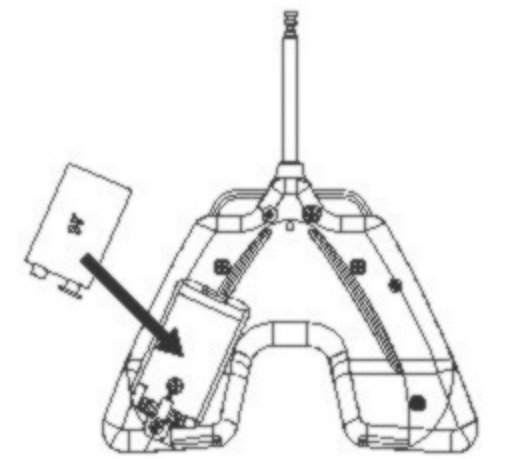


CAUTION:

- Do not charge battery immediately following play- allow battery pack to cool down.
- Avoid short circuits-they can cause overheating, burning and other damages to the battery and charger.
- The Battery Charger should only be used to recharge the included battery pack. Only charge one battery at a time.
- Do not use the charger as an outlet for other electrical appliances.
- Keep the battery pack and charger out of the hands of infants and small children while in use.
- Do not charge near fire, hot temperatures or wet damp areas.
- Charger may become warm while in use, allow sufficient space during this time.
- If the battery pack remains weak after proper charging techniques, dispose of it correctly and replace with a new battery.
- This product uses a NICKEL-CADMIUM rechargeable battery pack. The battery pack must be recycled or disposed of properly.
- Disconnect the supply before making/breaking the battery connection.
- Only use this battery charger for the included battery.
- Regularly examine for damage to the plug, enclosure for damage to the plug, enclosure and other parts. In the event of any damage, the toy must not be used with the charger until the damage has been repaired.
- The charger is not a toy.
- **DO NOT RECHARGE NON-RECHARGEABLE BATTERIES!**

Battery Installation Controller

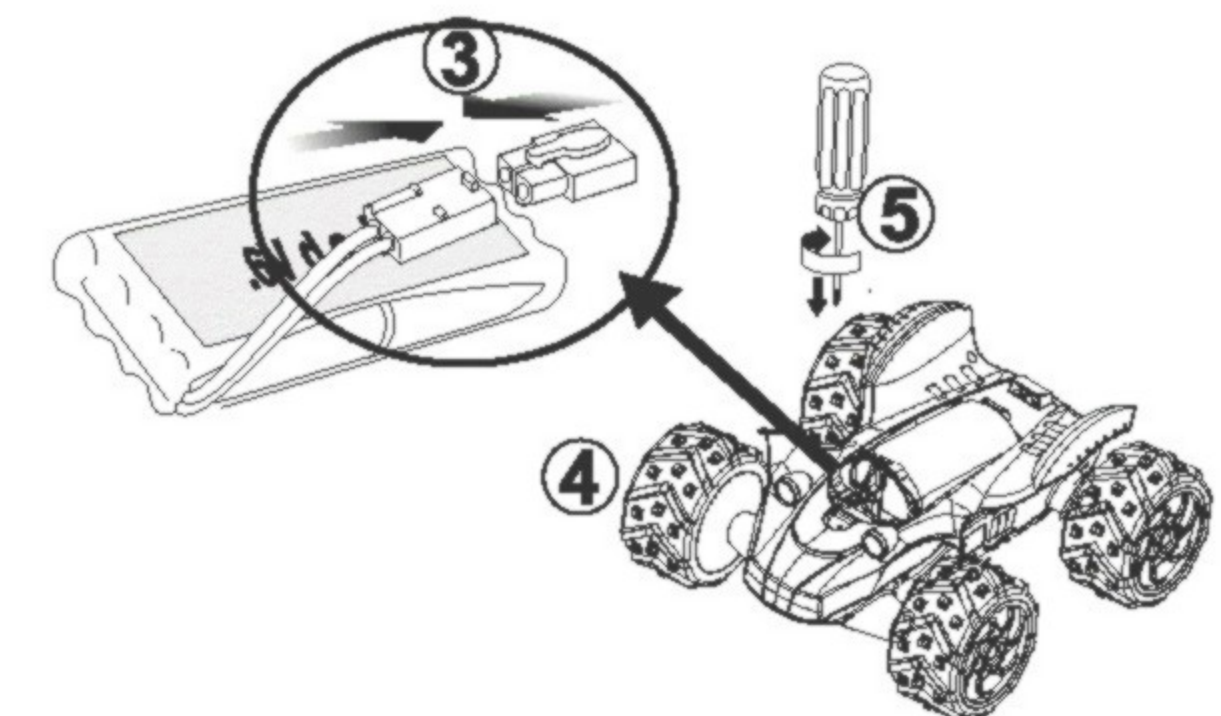
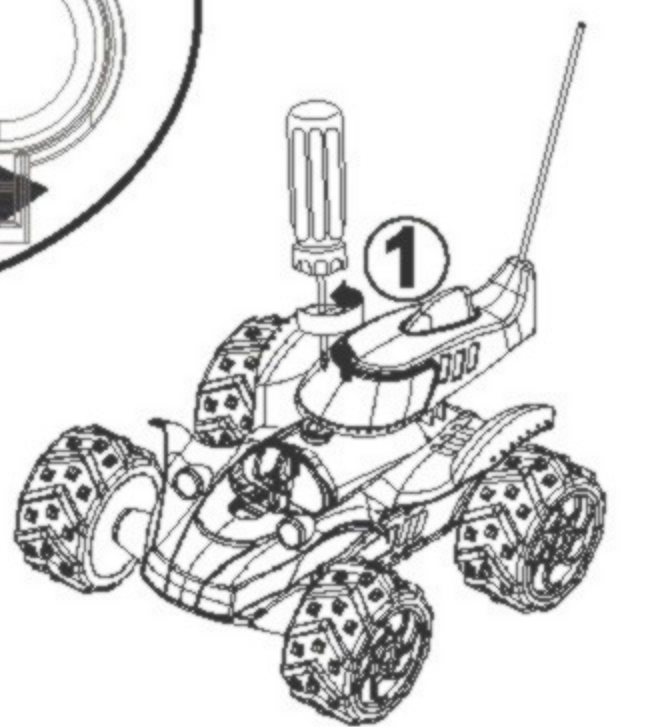
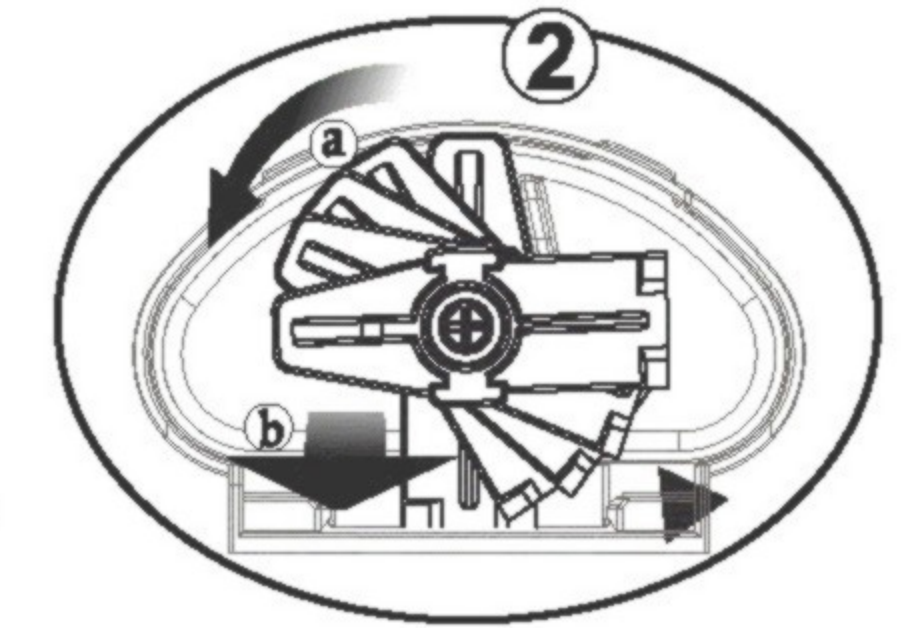
1. Remove the battery compartment cover with a Philips screwdriver and insert 1-9V Alkaline battery into the controller. Be sure the (+) and (-) poles are properly matched.
2. Replace the battery cover.
3. Be sure to dispose of old batteries properly.



Vehicle Battery Installation

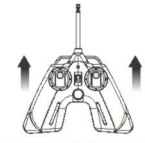
When installing the 9.6V rechargeable battery pack into your Vehicle, it is very important to ensure that the power switch is in "off" position.

1. Remove the battery compartment cover with a Philips screwdriver as illustration 1.
2. Turn the battery compartment knock to left to open the cover. Turn the knock to right to shut the cover. See illustration 2.
3. Insert the 9.6V battery pack with its connector on the same side as Mega X's connector. Ensure that the connectors are properly connected and fit together accordingly. Do not force them. See illustration 3.
4. Place the battery pack connector in best position. Do not force them.
5. Replace the battery compartment cover to ensure a proper fit by using the Philips screwdriver as illustration 2 & 5 shown.

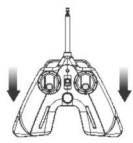


When the front lights are flashing or vehicle running slow, it is time for recharging the battery pack. After use, the battery pack will be HOT! please wait until the battery pack cools before recharging. To protect the life of Mega X, do not fully submerge under water.

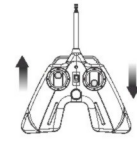
How to Operate



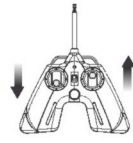
FORWARD



BACKWARD



TURN RIGHT



TURN LEFT

Running Time and Reception

- Please note that the running time of the battery is affected by many variables reasons. This product will operate optimally with a fully charged 9.6V rechargeable battery pack. If the vehicle begins to lose power, remove the battery pack, let it cool for 20 minutes and recharge.
- The ideal transiting range is 60 feet outdoor.
- Although a rare occurrence, you may encounter loss of reception or a loss of vehicle control due to interference, most commonly caused by high tension wires, transformers, narrow buildings, other radio control vehicles or CB radios.
- If you do encounter these types of interference, it is best to find a different location to operate your radio control vehicle.

Troubleshooting

Please follow the tips below if you encounter any problems with your radio control vehicle:

Vehicle does not function

- Ensure that the rechargeable battery located in the vehicle is fully charged. A battery that is not fully charged may result in less than peak performance.
- Inspect the 9V battery in the controller. Make sure that they are not weak or damaged. Also ensure that the "+" and "-" are correctly matched in the controller.
- Ensure that the ON/OFF switch on the vehicle is in the "ON" position. Check the "ON/OFF" switch on the controller as well.
- Decrease the distance between the controller and the vehicle to ensure proper reception.

Vehicle moves without signal

- There may be radio interference in the area. Try moving to a different location.
- Check to see if there is another radio controlled vehicle in close proximity. Their frequency may be interfering with yours.
- Make sure that the transmitter antenna is tightly secured. Also ensure that the antenna on the controller is fully extended.
- Avoid wetting the antenna on the vehicle.
- Avoid reducing the length of the antenna on the vehicle.

Vehicle operates slowly

- The batteries are probably weak. Recharge the 9.6V rechargeable battery or replace the controller battery.
- The rechargeable battery may need to be replaced because it can no longer hold a charge.
- The controller battery is not alkaline or old. Try replacing it with a new alkaline battery.

Maintenance

Please take great care of the Mega X Morphibian to ensure longevity of the internal parts and motors. Here are some tips to help sustain the life of your toy:

- Avoid playing in salt water. This may cause rust to form.
- Mega X Morphibian is designed to take on water. To improve on-water performance, after playing with the vehicle in water, it is advised to drain the water out of the hull.
- Wipe your Mega X Morphibian and dry it with a clean dry towel after playing.
- Periodically check the battery contacts. Ensure they are clean and free of debris.
- Do not put chemicals on the vehicle or controller, they can be deform or damage the product.
- Do not submerge your controller into water. It will damage the controller.

FCC Notice

Warning: Changes or modifications to this unit not expressly approved by the party responsible for compliance could void the user authority to operate the equipment.

NOTE: This equipment has been tested and found to comply with the limits for a Class B digital device, pursuant to Part 15 of the FCC Rules. These limits are designed to provide reasonable protection against harmful interference in a residential installation. This equipment generate, uses and can radiate radio frequency energy and, if not installed and used in accordance with the instructions, may cause harmful interference to radio communications.

However, there is no guarantee that interference will not occur in a particular installation. If this equipment does cause harmful interference to radio or television reception, which can be determined by turning the equipment, off and on, the user is encouraged to try to correct the interference by one or more of the following measures:

- Reorient or relocate the receiving antenna.
- Increase the separation the equipment and receiver.
- Connect the equipment into an outlet on a circuit different from that to which the receiver is needed.
- Consult the dealer or an experienced radio/TV technician for help
- Do not mix old and new batteries.
- Do not mix alkaline, standard (carbon-zinc) or rechargeable (Nickel-cadmium) batteries.
- Dispose of batteries safety and correctly.
- Do not attempt to burn batteries. Remove exhausted batteries.
- Remove batteries if the product will not used for a long period.

Kid Galaxy

Copyright © 2007 Kid Galaxy Inc

 **WARNING:**
CHOKING HAZARD - Small parts
Not for children under 3 years