

IMPORTANT: Keep these instructions. DO NOT DISCARD.

Caution:

Please read these carefully before using:

1. Only adults should install and replace batteries.
2. Rechargeable batteries are only to be charged under adult supervision.
3. Rechargeable batteries are to be removed from the toy before being charged.
4. Non-rechargeable batteries are not to be recharged.
5. If the device has not used for a long time, remove the batteries.
6. Do not mix old and new batteries.
7. Do not mix alkaline, standard (carbon zinc) or rechargeable (nickel cadmium) batteries.
8. Exhausted batteries are to be removed from the toy.
9. The supply terminals are not to be short-circuited.
10. Only batteries of the same or equivalent type as recommended are to be used.
11. Batteries are to be inserted with the correct polarity.
12. Do not dispose of batteries in fire, batteries may explode or leak.
13. Batteries may explode or leak if misused.

Hereby, Kid Galaxy Ltd. declares that this RC toy is in compliance with the essential requirements and other relevant provisions of Directive 1999/5/EC.

WARNING: Changes or modifications to this unit not expressly approved by the party responsible for compliance could void the user authority to operate the equipment.

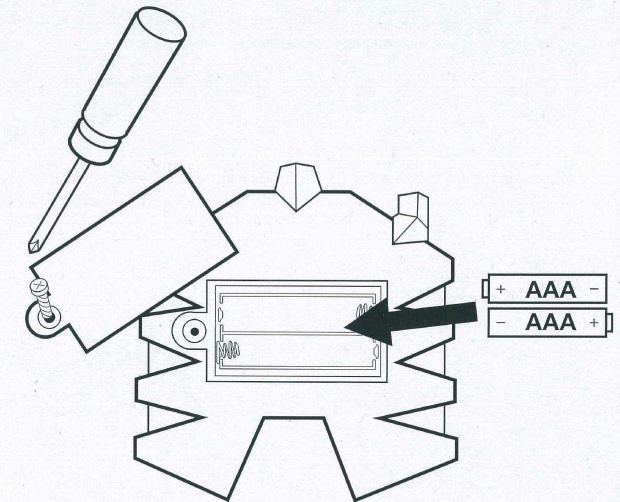
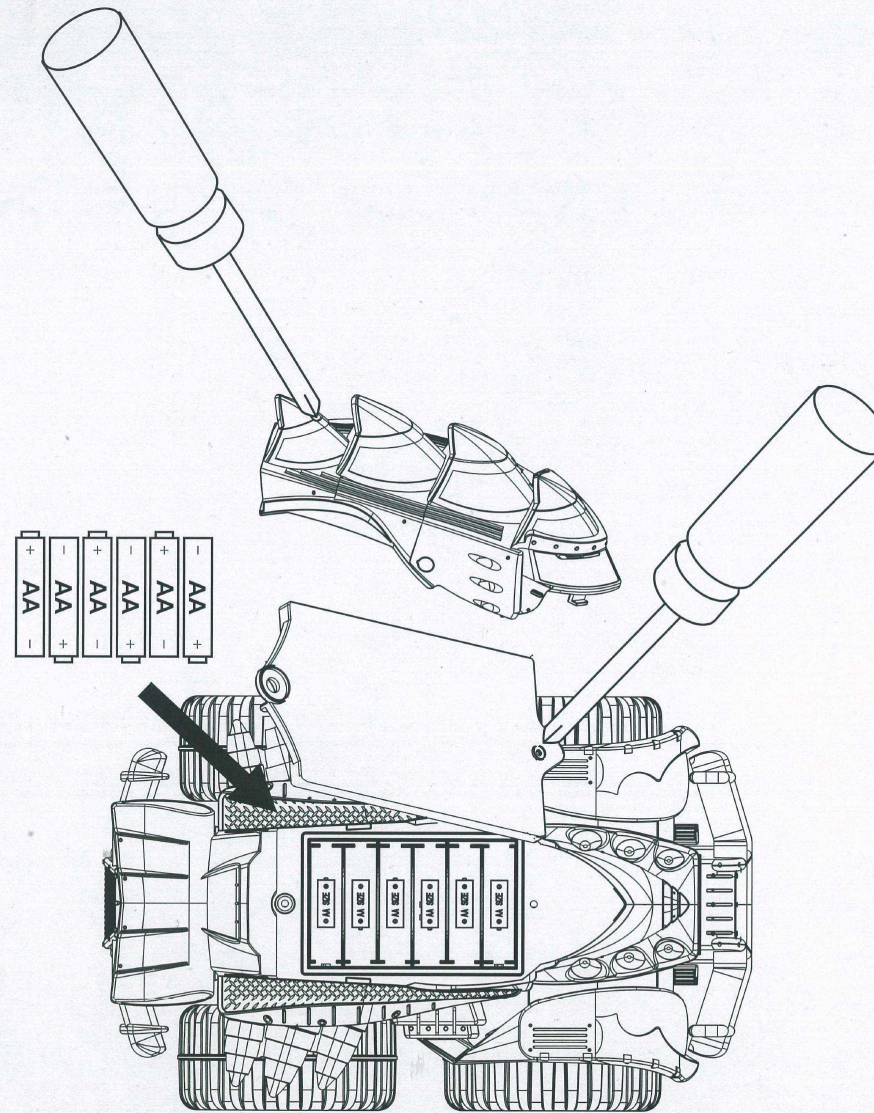
NOTE: This equipment has been tested and found to comply with the limits for a Class B digital device, pursuant to Part 15 of the FCC Rules. These limits are designed to provide reasonable protection against harmful interference in a residential installation. This equipment generates, uses and can radiate radio frequency energy and, if not installed and used in accordance with the instructions, may cause harmful interference to radio communications.

However, there is no guarantee that interference will not occur in a particular installation. If this equipment does cause harmful interference to radio or television reception, which can be determined by turning the equipment off and on, the user is encouraged to try to correct the interference by one or more of the following measures:

- Reorient or relocate the receiving antenna.
- Increase the separation between the equipment and receiver.
- Connect the equipment into an outlet on a circuit different from that to which the receiver is connected.
- Consult the dealer or an experienced radio/TV technician for help.

This device complies with Part 15 of the FCC Rules. Operation is subject to the following two conditions: (1) this device may not cause harmful interference, and (2) this device must accept any interference received, including interference that may cause undesired operation.

The toy is to be operated in water only when fully assembled in accordance with the instructions.



MADE IN CHINA
©2016 Kid Galaxy, Inc.
All Rights Reserved

Kid Galaxy, Inc.
150 Dow St.
Manchester, NH 03101
USA

BATTERIES:

- Vehicle requires 6-AA alkaline batteries (included)
- Controller requires 2-AAA alkaline batteries (included)

1-800-816-1135

Visit our website! www.kidgalaxy.com

Conforms to the safety requirements of ASTM F963 and FCC regulations.
Conforms to the safety requirements of EN71.

This device complies with Industry Canada license-exempt RSS standard(s). Operation is subject to the follow two conditions: (1) this device may not cause interference, and (2) this device must accept any interference, including interference that may cause undesired operation of the device.



Proof of Purchase

