

FCC Warning

This device complies with Part 15 of the FCC Rules. Operation is subject to the following two conditions: (1) This device may not cause harmful interference, and (2) this device must accept any interference received, including interference that may cause undesired operation.

NOTE: This equipment has been tested and found to comply with the limits for a Class B digital device, pursuant to Part 15 of the FCC Rules. These limits are designed to provide reasonable protection against harmful interference in a residential installation. This equipment generates, uses and can radiate radio frequency energy and, if not installed and used in accordance with the instructions, may cause harmful interference to radio communications. However, there is no guarantee that interference will not occur in a particular installation. If this equipment does cause harmful interference to radio or television reception, which can be determined by tuning the equipment off an on, the user is encouraged to try to correct the interference by one or more of the following measure:

- Reorient or relocate the receiving antenna.
- Increase the separation between the equipment and receiver.
- Connect the equipment into an outlet on a circuit different from that to which the receiver is connected.
- Consult the dealer or an experienced radio / TV technician for help.

Caution: Changes or modifications to this unit not expressly approved by the party responsible for the compliance could void the user's authority to operate the equipment.

Troubleshooting

If you are having difficulty adjusting the Microphone, try using a screwdriver with a wooden or plastic handle, as opposed to one with a metal handle.

For best results, hold the Microphone about two inches from your mouth while speaking, while standing less than ten feet from the radio.

The Microphone is only designed to work on the FM dial, with frequencies between 89.5MHz and 91.5 MHz.

If the Microphone does not play, check the batteries. They are most likely weak and need to be replaced with new batteries.

If problems persist, **do not attempt to repair the toy yourself.** See the warranty for factory service information.

Troubleshooting

For questions or comments regarding this or other KIDdesigns products, please call our toll-free number: **1-888-TOP-TOYS**. Please also visit our website: www.toptoysonline.com.

One-Year Limited Warranty Information

KIDdesigns warrants this product to be free from defects in workmanship and materials, under normal use and conditions, for a period of one year from the date of original purchase.

Should service be required by reason of any defect or malfunction, it is best to first return this product and all parts thereof to the store where it was originally purchased. If you need to send the product for service during the warranty period, KIDdesigns will repair or, at its discretion, replace this product without charge (except for a \$6.00 charge for handling, packing, return UPS/postage and insurance). This decision is subject to verification of the defect or malfunction upon delivery of this product to the Factory Service Center listed below. The product must include proof of purchase, including date of purchase. Before returning this product for service, please first replace the batteries (if applicable) with fresh ones, as exhausted or defective batteries are the most common cause of problems encountered.

If service is still required:

1. Remove batteries (if applicable) and pack unit in a well-padded, heavy corrugated box.
2. Enclose a photocopy of your sales receipt, credit card statement, or other proof of the date of purchase.
3. Enclose a check or money order payable to the order of KIDdesigns, for the sum of \$6.00.
4. Send the unit prepaid to the Factory Service Center listed below.

NOTE: This warranty is valid only if the product is used for the purpose for which it was designed. It does not cover (i) products which have been damaged by negligence, misuse or accident, or which have been modified or repaired by unauthorized persons; (ii) cracked or broken cabinets, or units damaged by excessive heat; (iii) damage to CD's or tape cassettes (if applicable); (iv) the cost of shipping this product to the factory service center and its return to the owner.

This warranty is valid only in the United States of America and does not extend to owners of the product subsequent to the original purchaser. Any applicable implied warranties are also limited to one year, and KIDdesigns will not be liable for consequential damages. (Some states do not allow limitations on implied warranties or exclusion of consequential damages, so these restrictions may not apply to you.) This warranty gives you specific legal rights, and you may also have other rights which vary from state to state.

Send unit to:

Consumer Repair Department

KIDdesigns Inc.

1401 Pullman Drive, Suite A El Paso, Texas 79936

BARBIE is a trademark owned by and used under license from Mattel, Inc. © 2003 Mattel, Inc. All Rights Reserved.

Manufactured and Distributed by KIDdesigns, Inc. Rahway, NJ 07065-5024

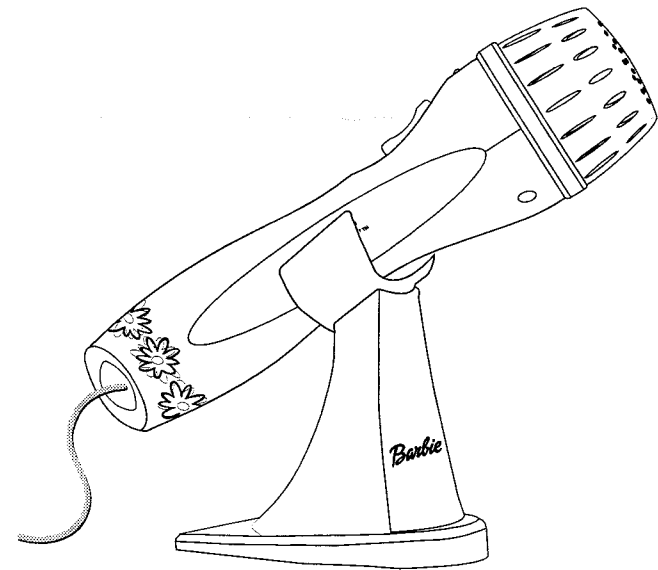
Printed in China

BE-059-102802-6

Barbie™

MODEL BE-059

Wireless Microphone



Important Message to Consumers

Thank you for purchasing one of the Barbie™ brand's many top-quality electronic products. We would appreciate it if you take a few moments to read through these instructions. This will help you explain the safe and proper way to use this toy, and to help give it the long-lasting life that Barbie™ branded products are designed for. **Keep these instructions for future reference as they contain important information**

Installing the Batteries

Batteries should only be installed by an adult.

- 1 The battery compartment is on the opposite side of the Microphone as the Transmit Switch. Find the screw, located near the base, then use a Phillips screwdriver to open the compartment.
- 2 Insert 2 "AA" (R3) batteries into the Microphone, with the flat, "negative" ends facing the speaker.
- 3 Replace the compartment and tighten the screw.

For the Best Possible Performance:

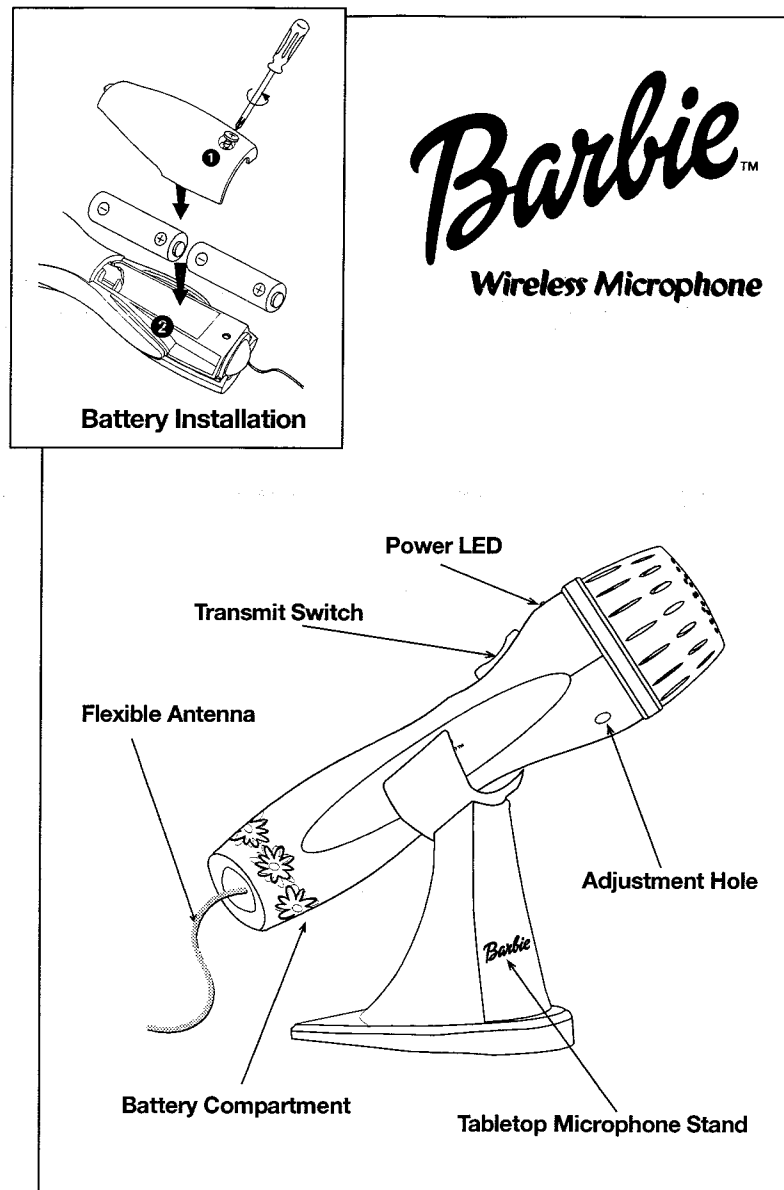
- We recommend using alkaline batteries.
- Do not attempt to recharge any non-rechargeable batteries.
- Remove rechargeable batteries from the toy before charging them.
- Different types of batteries or new and used batteries are not to be mixed. (If removable)
- Rechargeable batteries are only to be charge under adult supervision (If removable).
- Only batteries of the same or equivalent type as recommended are to be used.
- Insert batteries with the correct polarity.
- Remove all exhausted batteries from the toy.
- Supply terminals are not to be short-circuited.
- Remove batteries if the toy is not going to be used for approximately 30 days or more to prevent leakage or damage to the toy.

Playing with the Wireless Microphone

The Barbie Wireless Microphone works with any FM radio to turn you into a star! Read the below to learn how to adjust the Microphone, then have fun hearing your voice transmit through the radio!

Using the Wireless Microphone

1. To get started, turn your radio on, tune it to around 90.5 MHz FM, and set it to a fairly low volume. Your Microphone is preset to this frequency.
 2. Slide the Microphone's Transmit Switch to the ON position (the Power LED will light up) and stand facing the radio, about six feet away.
 3. Speak into the Microphone. If your voice transmits clearly through the radio, increase the volume, return to about six feet from the radio, and try speaking again. If you hear a high-pitch whistling sound, lower the volume and/or stand a little farther away from the radio.
- At this point, if your voice is transmitting clearly, the setup is complete and you can start playing. If it is not, read the adjustment instructions.



Barbie™
Wireless Microphone

Playing with the Microphone (continued)

Adjusting the Microphone: This should only be performed by an adult.

In some areas, local broadcast stations may interfere with the preset around to 90.5 MHz frequency. Follow these steps to find a around to clear frequency.

Note: For the best results, have an adult perform the microphone adjustment standing six feet away from the radio while a second person adjusts the radio's frequency and volume as needed.

Instructions for Radios with Digital Tuning

1. With the radio set to 90.5 MHz, insert a miniature screwdriver (blade 0.08" or smaller) into the Adjustment Hole and slowly turn the screw. We recommend a screwdriver with a wooden or plastic handle.
2. Carefully turn the screw until any static clears, then adjust the volume and attempt to broadcast your voice again.
3. If there is still static or interference at 90.5 MHz, repeat the above at a different FM frequency located between 89.5 MHz and 91.5 MHz.

Instructions for Radios with Analog Dial Tuning

1. Insert a miniature screwdriver (blade 0.08" or smaller) into the Adjustment Hole and turn the screw slightly to either direction. We recommend a screwdriver with a wooden or plastic handle.
2. Remove the screwdriver, then tune the radio slowly between 89.5MHz and 91.5 MHz until any radio static clears.
3. Adjust the radio volume and attempt to broadcast your voice again.
4. If the adjustment is not successful, repeat the above instructions until you are able to broadcast your voice clearly through the radio's speakers.

Maintenance

It is important to keep the Wireless Microphone as dry and clean as possible. Clean the unit with a soft cloth moistened only with mild soap and water. Stronger cleaning agents, such as thinner or similar materials, are not recommended, as they may damage the surface of the case.

Keep the Wireless Microphone away from direct sunlight or sources of excessive heat.

Do not allow dirt, sand, small particles, water, or other liquids to enter the toy's casing.

If the toy is to be left unused for an extended time period, such as a month or longer, have an adult remove the batteries to extend their life and to prevent leaking or corrosion.