

## Getting Started

### Setup and Maintenance

1. Remove the product and all packing materials from the carton.
2. Save the packing materials in case the unit needs to be returned for service. If you do dispose of the packing materials, please do so properly.
3. Place the unit on a level surface, away from direct sunlight and sources of excess dust, dirt, heat, water, moisture, vibrations, and strong magnetic fields.
4. Protect your furniture when placing the unit on natural wood or wood with a lacquered or coated finish. A cloth or other protective material should be placed between the unit and the furniture.
5. Keep the accessories together so they do not become misplaced. A storage drawer is located below the oven. Store Scan Cards in the slots provided.
6. Do not put accessories into dishwasher or use with real appliances or food.

### Battery Installation

Attention: Batteries should only be installed by an adult.

This toy comes with batteries already installed. These are meant for in-store demonstration purposes, and should be replaced with fresh batteries at home.

1. Use a Phillips screwdriver to loosen the screw on the battery compartment door, then open the compartment door.
2. Insert four "C" batteries into the toy, with + and - terminals as indicated in the compartment.
3. Replace the compartment door and tighten the screw. Do not over-tighten.

### For the Best Possible Battery Performance:

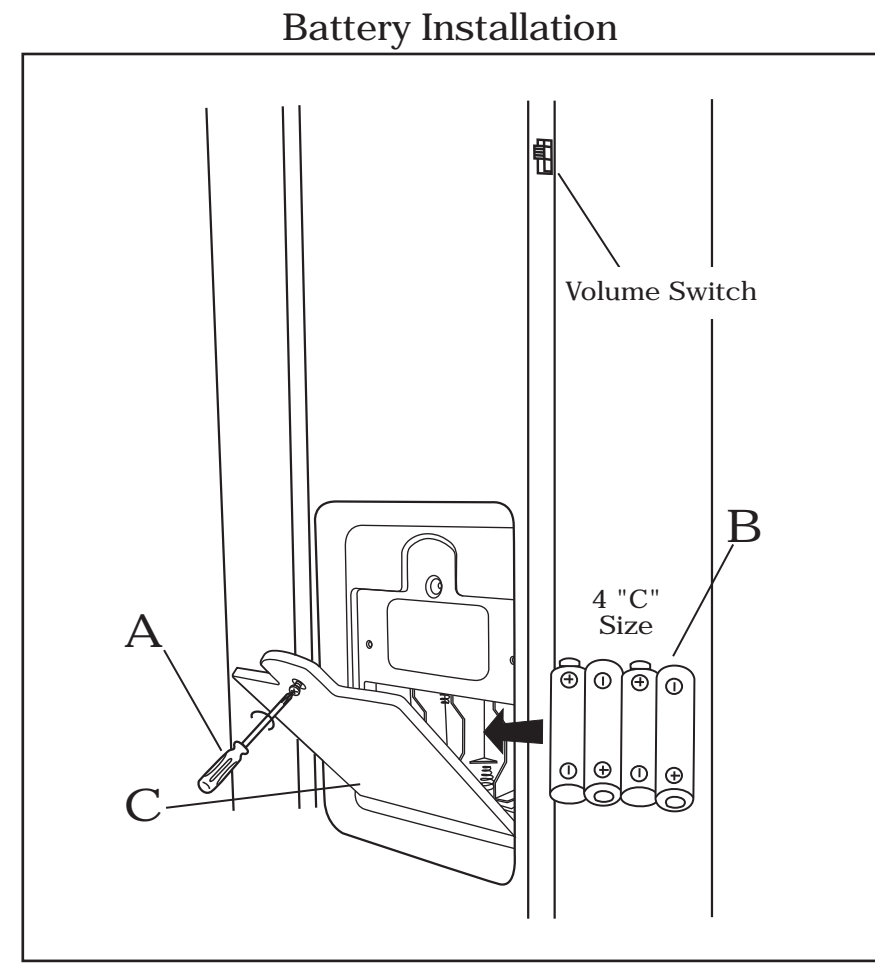
- We recommend the use of alkaline batteries for longer life.
- Different types of batteries or new and used batteries are not to be mixed.
- Only use batteries of the same or equivalent type as listed.
- Batteries are to be inserted with correct polarity.
- Remove exhausted batteries from the unit.
- Do not attempt to recharge non-rechargeable batteries.
- Remove the rechargeable batteries from the unit before charging.
- The supply terminals are not to be short-circuited.
- Batteries should be removed if the item will be used for an extended period of time, such as a month or longer, to prevent battery leakage or damage.

### FCC Information

This device complies with Part 15 of the FCC Rules. Operation is subject to the following two conditions: (1) this device may not cause harmful interference, and (2) this device must accept any interference received, including interference that may cause undesired operation.

Warning: Changes or modifications to this unit not expressly approved by the party responsible for compliance could void the user's authority to operate the equipment.

NOTE: This equipment has been tested and found to comply with the limits for a Class B digital device, pursuant to Part 15 of the FCC Rules. These limits are designed to provide reasonable protection against harmful interference in a residential installation. This equipment generates, uses and can radiate radio frequency energy and, if not installed and used in accordance with the instructions, may cause harmful interference to radio communications.



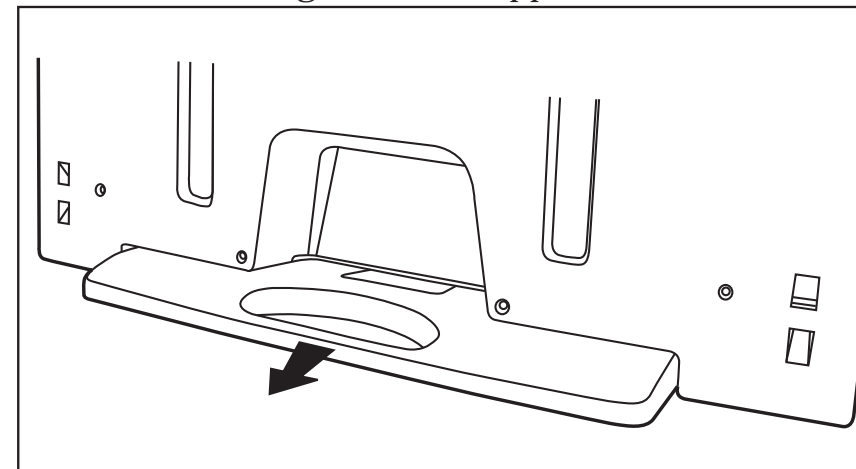
However, there is no guarantee that interference will not occur in a particular installation. If this equipment does cause harmful interference to radio or television reception, which can be determined by turning the equipment off and on, the user is encouraged to try to correct the interference by one or more of the following measures:

- Reorient or relocate the receiving antenna.
- Increase the separation between the equipment and receiver.
- Connect the equipment into an outlet on a circuit different from that to which the receiver is needed.
- Consult the dealer or an experienced radio/TV technician for help.

The product operating temperature is -20°C to 30°C.

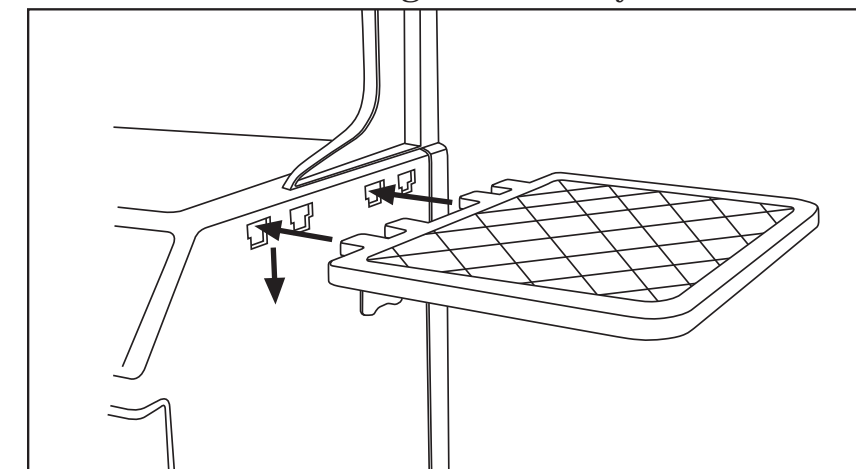
## Smart Kitchen Assembly

### Using the Rear Support



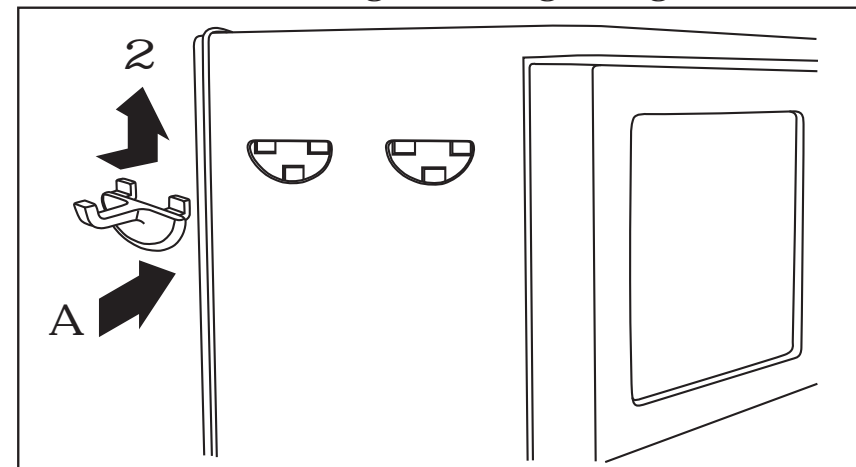
To prevent rocking or shaking, extend the rear support tray, located near the floor on the back of the Smart Kitchen.

### Attaching the Side Trays



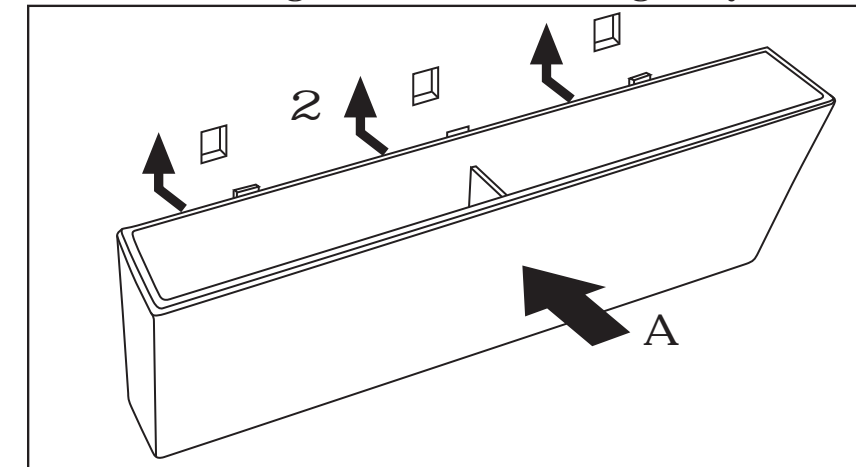
To attach the side trays, line up one of the tray's pegs with the holes on the side of the Smart Kitchen, level with the grill. Push in firmly to lock the tray into place. Repeat for both trays.

### Attaching the Storage Hangers



To attach the storage hangers, line up one of the hanger's lower peg with the large, lower hole located on the left side of the Smart Kitchen. Insert the peg and push down, then up to lock the hanger into place. Repeat the process with the other hanger.

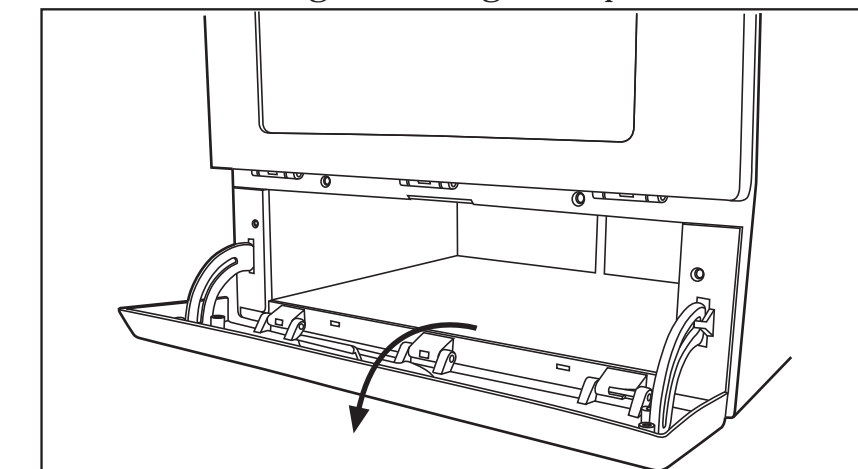
### Attaching the Scan Card Storage Tray



The Smart Kitchen includes a storage tray designed to hold the scan cards. To attach, line up one of the tray's upper hooks with the upper holes located on the right side of the Smart Kitchen. Insert the tray and push up, then down to lock the tray into place.

## Smart Kitchen Assembly

### Using the Storage Compartment



The Smart Kitchen features a storage compartment, located below the oven. All of the accessories will not fit inside the storage compartment. When storing Smart Food, be sure that the Smart Food label is not facing up towards the oven.

## Reset Button

The Reset Button is located on the front panel below keypad. Should the Smart Kitchen seem to "lock up" at any time, press the Reset Button to clear the system, then try playing again.

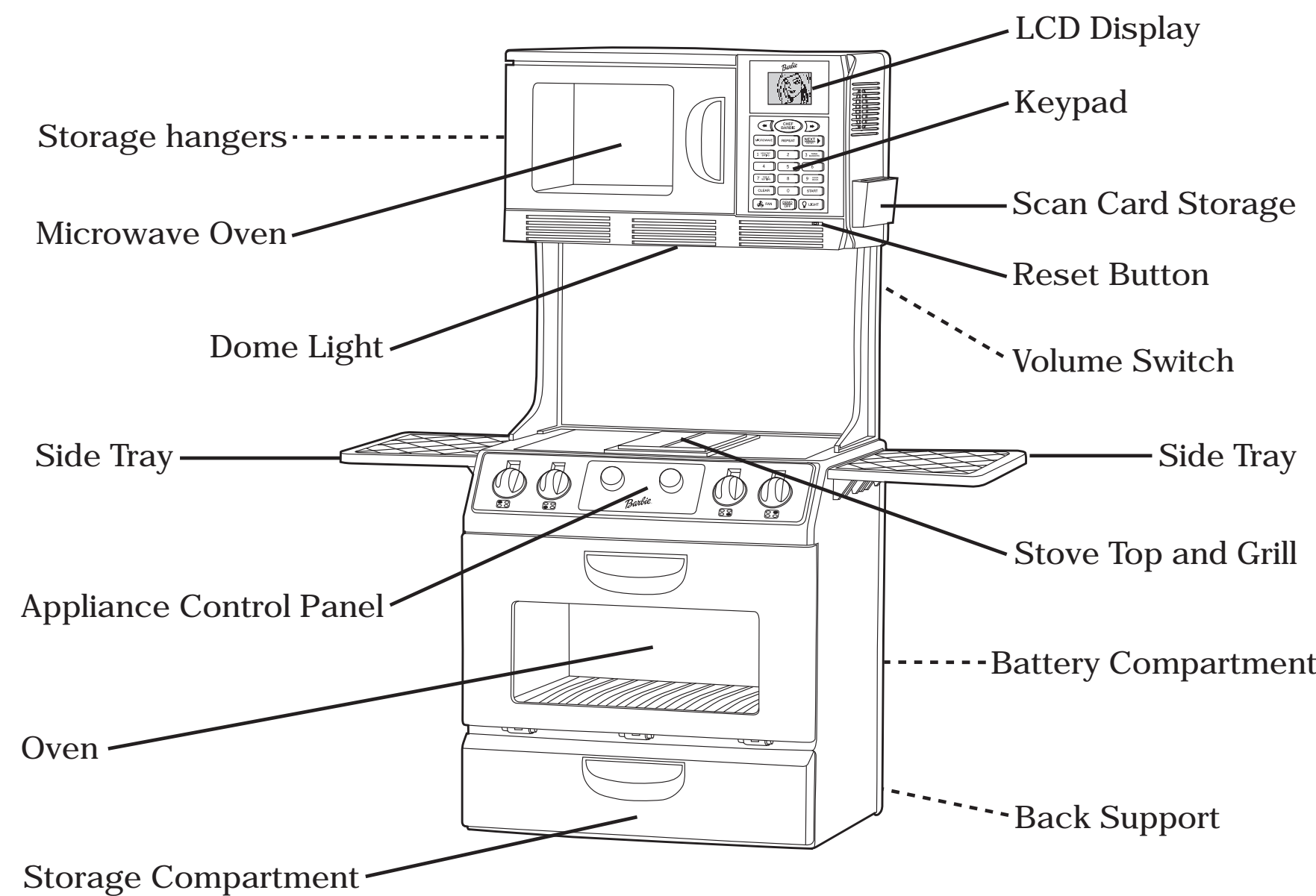
## Adjusting the Volume

The Smart Kitchen features three volume levels: Low, Medium, and High. To adjust the volume, slide the Volume Switch to the desired position. The Volume Switch is located on the back of the toy.

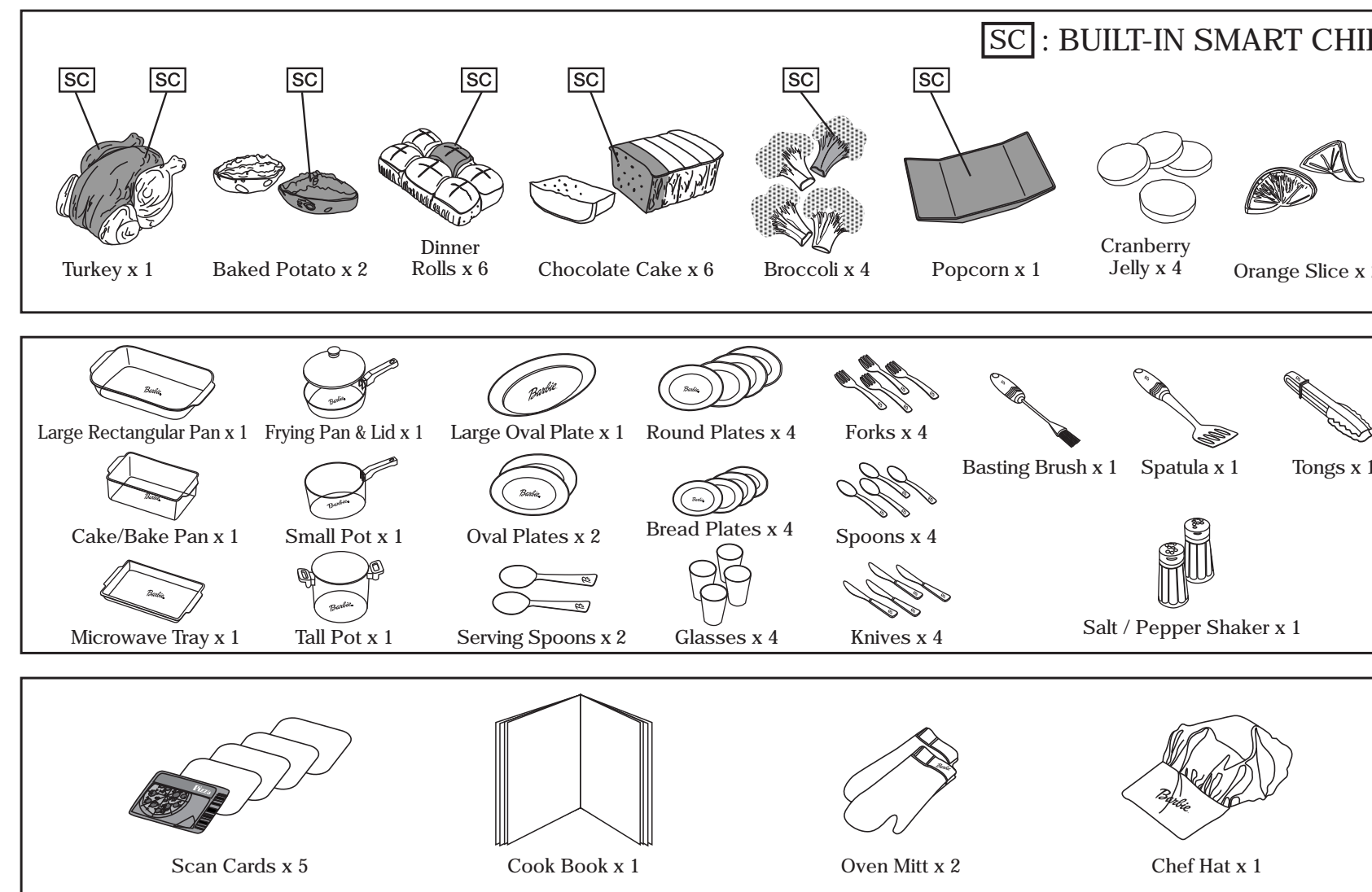
## Three Great Ways to Play!

1. **Cooking Fun** — The Smart Kitchen comes with 26 pieces of food, many of which contain a built-in Smart Chip that triggers playtime action! See *Cooking with Smart Food*.
2. **Scan Cards** — Swipe the Scan Cards to hear helpful kitchen hints and cool sound effects. You can also swipe the Turkey Dinner Meal Card to get instructions on preparing a fun meal. See *Playing with the Scan Cards*.
3. **Cook Book** — Find a fun animation or sound effect in the Cook Book that comes with the Smart Kitchen, then enter the code using the Keypad. See *Using the Cook Book*.

## Smart Kitchen Appliances and Features



## Smart Foods and Accessories



## Using the Smart Kitchen Keypad

### Animated LCD Display

Chef Barbie™ Activity Key  
Press to hear Chef Barbie™ and follow along!

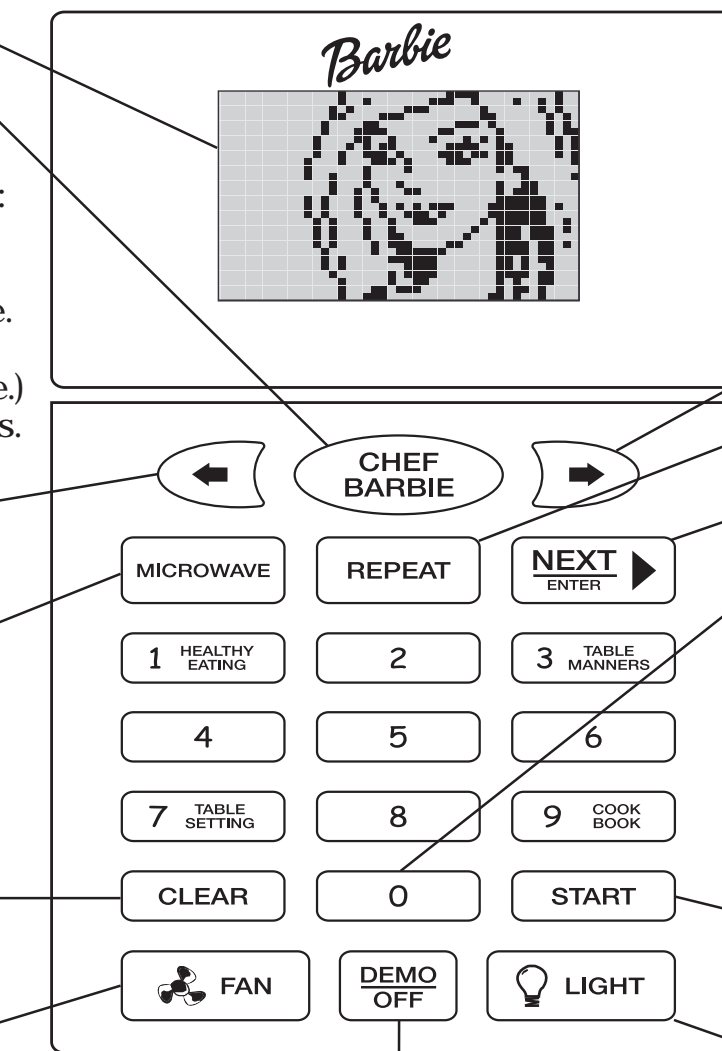
- Follow the prompts and press:
- The 1 Key for Healthy Eating.
  - The 3 Key for Table Manners.
  - The 7 Key for Setting the Table.
  - The 9 Key for Cook Book Fun. (See *Using the Cook Book* page.)
  - The 0 Key for Scan/Meal Cards. (See *0 Key* instructions.)

Back Key  
Scroll backwards.

Microwave Key  
Activate Microwave for cooking.

Clear Key  
Delete spaces during menu entry.

Fan Key  
Play exhaust fan sound effects.



Scan Card Slot  
Swipe cards through slot for cooking tips, sound effects, and meal preparation.

Forward Key  
Scroll forward.  
Repeat Key  
See and hear last animation/SFX again.

Next/Enter Key  
Enter data or run program, as prompted.

0 Key (Play without Scan Cards)  
After pressing Chef Barbie™ button, press 0 to run Scan Card or Smart Meal programs without cards.  
• Use Back and Forward to choose Smart or Scan Fun, then press Enter.  
• Use Back and Forward to select a program, then press Enter.  
• Follow prompts and instructions. (Some Meals feature Smart Food items sold separately.)

Start Key  
Start appliance or program, as directed.

Light Key  
Turn overhead dome light on.

Demo/Off Key  
• Press to play demo.  
• Press again to turn power off.