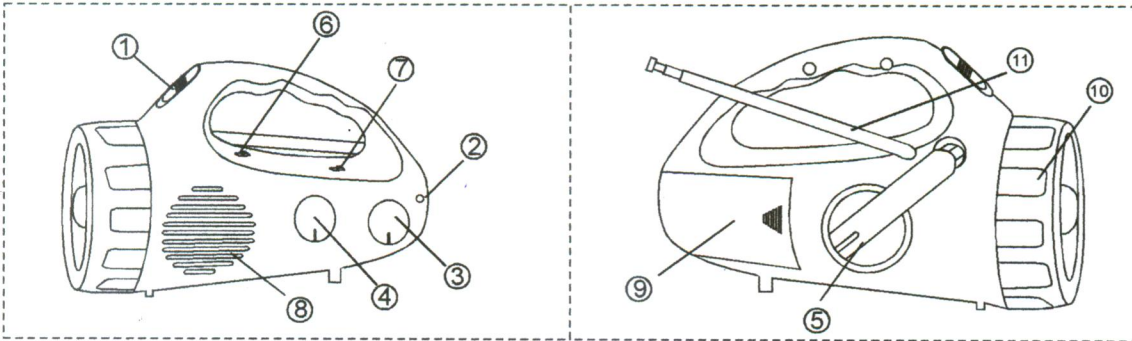


AM/FM RADIO WITH LIGHT AND DYNAMO OPERATING INSTRUCTIONS



1. LIGHT ON/ OFF/ SIREN/
BLINK SWITCH
2. DYNAMO INDICATOR
3. RADIO VOLUME KNOB
4. BAND KNOB

5. DYNAMO CRANK
6. FM/AM SWITCH
7. BATTERY/ DYNAMO SWITCH
8. SPEAKER

9. BATTERY COVER
10. FRONT COVER
11. TELESCOPIC ANTENNA

POWER SOURCE&DYNAMO

- When Using dry battery power, slide switch (7) to BATTERY position, remove battery cover (9) and insert
- three AAA batteries into the compartment observing correct polarity.

When using Rechargeable Battery, slide switch (7) to DYNAMO position , rotate crank clockwise to proceed recharging with DYNAMO indicator on. one minute cranking can sustain radio for 8-10 minutes (at half of the volume)

CAUTIONS:

It is suggested that rechargeable battery not be recharged until it is exhausted to avoid memory effect. poor sound quality indicates weak power.

Radio Operation:

- 1: Slide Switch (1) to OFF position
- 2: Slide Switch (7) to select power source.
- 3: Rotate Volume Knob (3) clockwise to turn on radio with a clicking sound heard. Rotate it counter-clockwise to turn off radio.
- 4: Slide Switch (6) to select either FM or AM.
- 5: Rotate Band Knob (4) to select desired station.
- 6: Pull out antenna for fine WB/FM broadcasting reception.

LIGHT/ SIREN OPERATION:

- 1: Slide Switch (7) to select power source.
- 2: Slide Switch (1) to LIGHT position to turn on light.
- 3: Slide Switch (1) to SIREN/BLINKING position to activate BLINKING, Rotate Radio Volume Knob (3) to shut down this function

CAUTIONS:

- 1: Remove battery when not using your unit for a long time, or battery leaking would cause unit damage.
- 2: Do not shower your unit since it is designed not water- proof.
- 3: Neither mix Alkaline , Standard (carbon-zinc) or rechargeable battery nor mix old battery with new one.

"NOTE: The manufacture is not responsible for any radio or TV interference caused by unauthorized modifications to this equipment. Such modifications. could void the User's authority to operate the equipment. "

This device complies with part 15 of the FCC rules.

Operation is subject to the following two conditions;

- (1) this device may not cause harmful interference, and
- (2) this device must accept any interference received, including interference that may cause undesired operation.