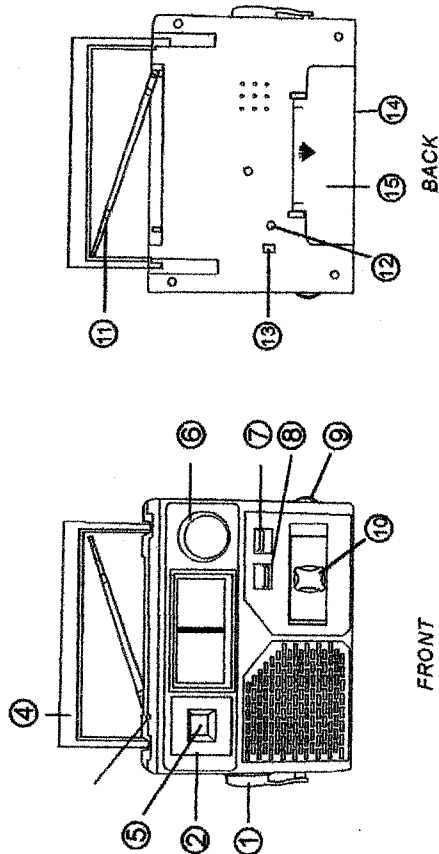


AM/FM, TV1/TV2 RADIO WITH LIGHT AND DYNAMO OPERATING INSTRUCTIONS



LOCATION OF CONTROLS

1. DYNAMO-CRANK
2. COIN OPENING GAP (FOR CHANGING LIGHT OF LED)
3. DYNAMO CHARGING INDICATOR
4. CARRYING HANDLE
5. LIGHT
6. TUNING KNOB
7. POWER SELECTOR (DYNAMO POWER OR BATTERIES AND DC POWER)
8. LIGHT ON/OFF SWITCH

9. VOLUME CONTROL KNOB

10. BAND SELECTOR
11. ROD ANTENNA
12. EARPHONE JACK
13. DC JACK (4.5V)
14. RECHARGEABLE BATTERY (INSIDE THE COMPARTMENT, 3 X AA INCLUDED ON RIGHT SIDE)
15. BATTERY COMPARTMENT

3. Radio operation time depends on the number of turns and time per turn. For example, approximately 2 turns per second for 90 seconds will provide 25-50 minutes of radio operation at a medium to low volume level. This can be done with the radio on or off.
4. Return the crank to the folded position.

Note: (If turning the crank at about 2 turns per second for about 90 seconds does not power the radio for at least 15 minutes, replace the rechargeable battery pack.)

REPLACING THE RECHARGEABLE BATTERY PACK

Replacing the rechargeable battery pack (Ni-CD 3PCS AA, 1.2V, 600 Mah or equivalent).

1. Remove the battery compartment cover.
2. Lift the battery pack out from the slot and unplug the battery's pack connector.
3. Insert the new battery packs plug into the socket; then place the battery into the slot.
4. Replace the compartment cover.

1. Select the power source:

Using the Dynamo Power or DC socket: Rotate the crank until the rechargeable pack has been charged if you want to power the radio using the generator or DC input socket, then switch the power selector to DYNAMO/ADAPTOP position. **QR**

Using the batteries: Remove the battery compartment, install 3AA batteries into the compartment following the diagram on the back of the battery door. To power the radio using the batteries, switch the power selector to "BATTERY".

2. Adjust the volume to the desired listening level.

3. For FM, TV1 reception, switch the "Band Selector" to FM, TV1 band. Select the desired radio station by turning the Tuning Knob.

4. For AM/TV2 reception, select the desired band with the "Band Selector", and select the desired station by turning the tuning knob.

5. For best FM, TV1 or TV2 reception, fully extend the telescopic Antenna.

6. The AM band uses a built-in directional ferrite bar antenna. You can rotate the aerial by turning the radio itself for the best reception.

7. To turn the radio off, select the "Power Off" from the Power Selector.

8. Using the emergency touch light: simply turn the "Light" switch to the ON position.

9. For private listening, insert the earphone plug into the Earphone jack "Ear". The built-in speaker will be switched off automatically, when your earphone has been plugged in the jack

PRECAUTIONS

1. Do not drop and keep away from fire.
2. Do not use abrasive powders to clean the cabinet. Wipe it with a soft cloth moistened with a mild soap and water solution.
3. Do not leave the unit in a location near heat sources, or in a place subject to direct sunlight, excessive dust or mechanical shock.
4. Do not use old and new batteries together or different brands and types together.
5. Always remove the batteries from the radio when it is not going to be used for a long time. This will prevent the batteries from leaking inside the battery compartment.
6. Improper maintenance or repair, including the installation of parts or accessories that do not conform to the quality and specification of the original parts.
7. Misuse, abuse, neglect or improper installation.
8. Accidental or intentional damage.
9. Battery leakage.

"NOTE: The manufacturer is not responsible for any radio or TV interference caused by unauthorized modifications to this equipment. Such modifications could void the User's authority to operate the equipment."

EXTERNAL POWER

A DC input socket has been provided for external power connection, it requires a 4.5V DC power source, negative polarity, 200 milliamperes or greater. Ensure that the polarity is correct.

BATTERY POWER

This radio is designed to operate on three AA batteries (alkaline for longest play-time). Remove the battery compartment cover and fit the batteries in the battery compartment following the diagram on the back of the battery door.

DYNAMO POWER

This radio incorporates a rechargeable battery pack that can be recharged by the dynamo-crank.

1. Switch the power selector to OFF position.
2. Lift the dynamo-crank and rotate it either clockwise or counter-clockwise. (The "Charging LED" will be lighted if it is charging.)