



Service Manual / Manuel de Service

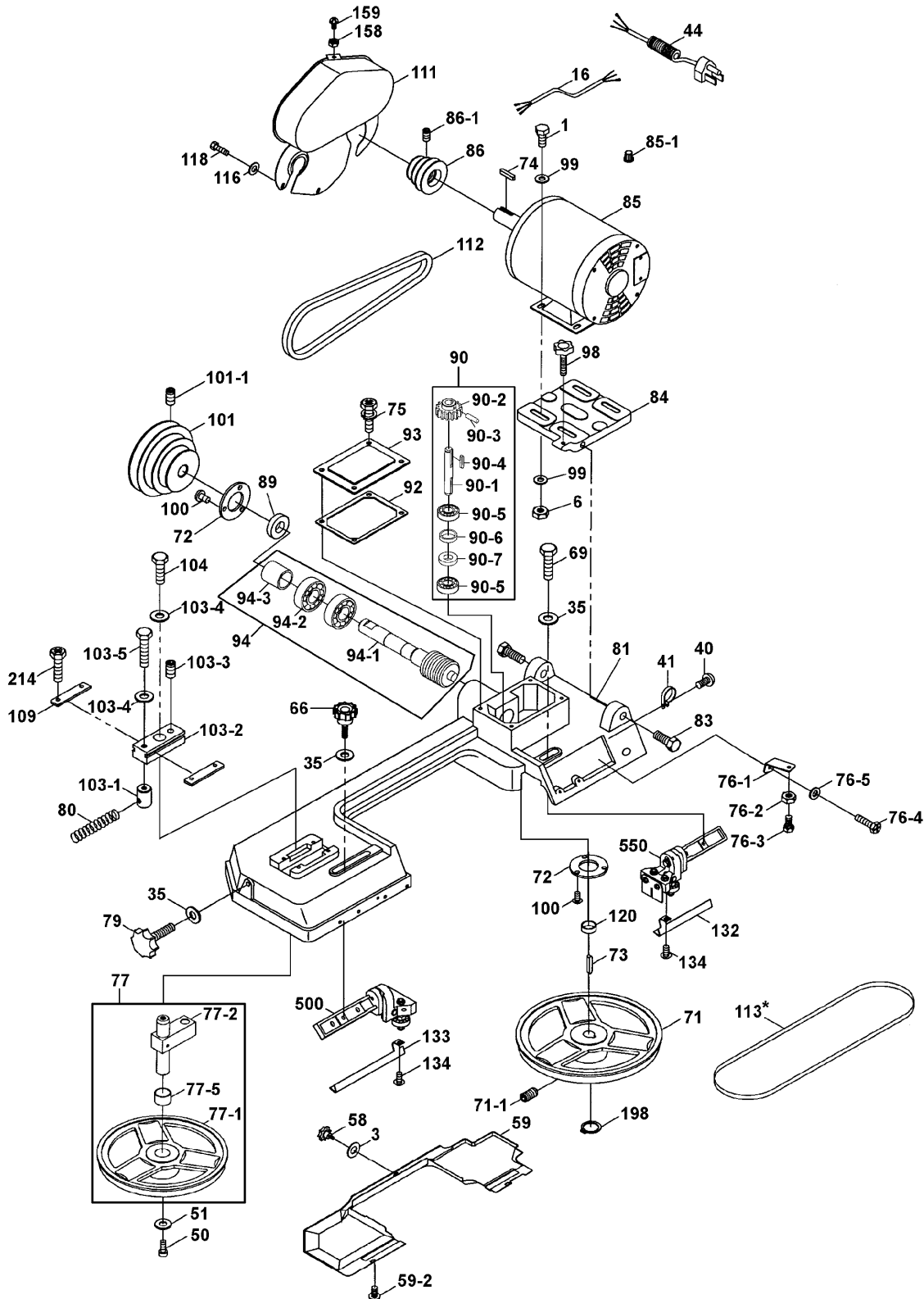
5" x 6" Dual Swivel Metal Cutting Bandsaw Scie à Ruban 5" x 6" pour Métal à Double Pivot



Revised/Revisé 08/2008

Head Diagram / Diagramme de la Tête

KC-129DS





Service Manual / Manuel de Service

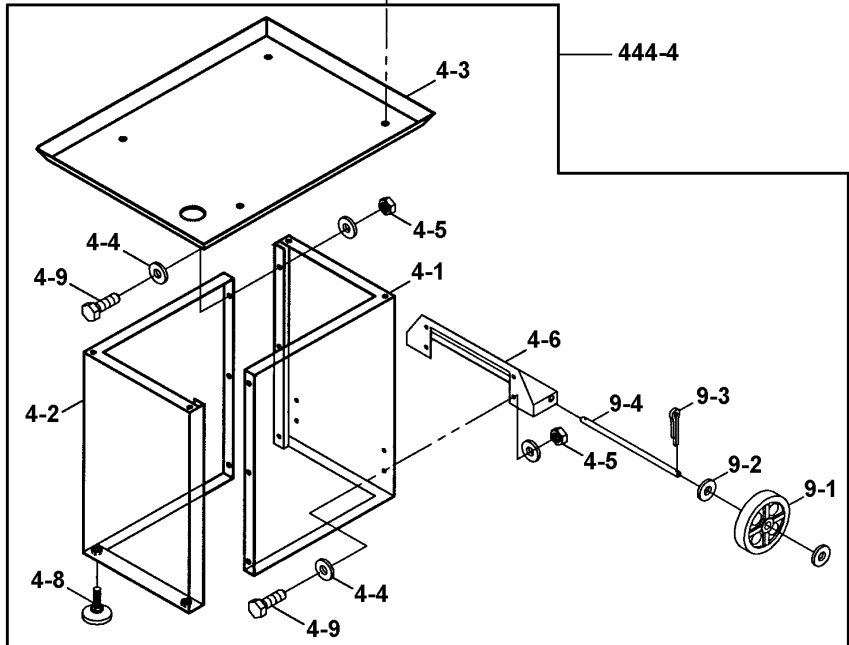
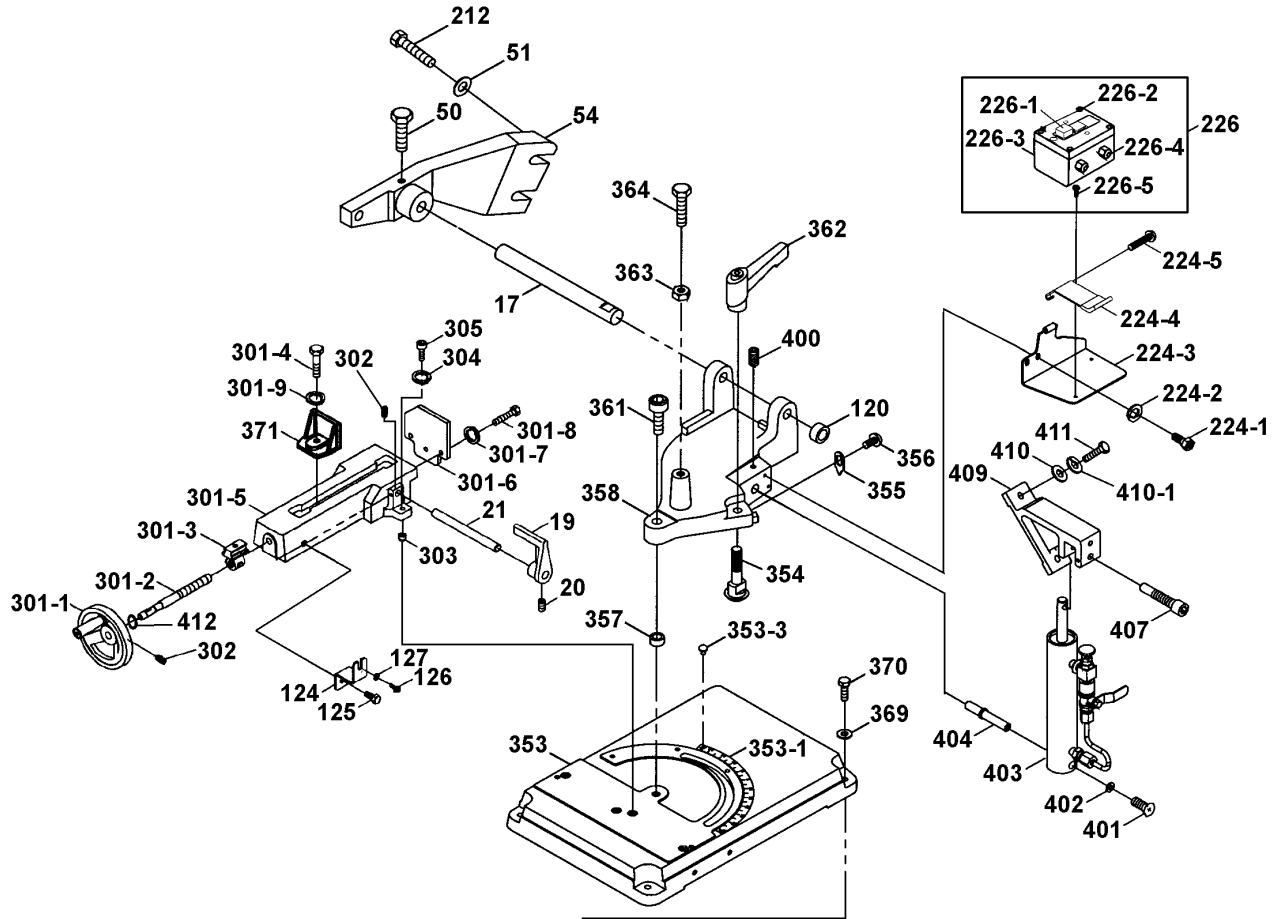
5" x 6" Dual Swivel Metal Cutting Bandsaw Scie à Ruban 5" x 6" pour Métal à Double Pivot



Revised/Revisé 08/2008

Base Diagram / Diagramme de la Base

KC-129DS





Service Manual / Manuel de Service

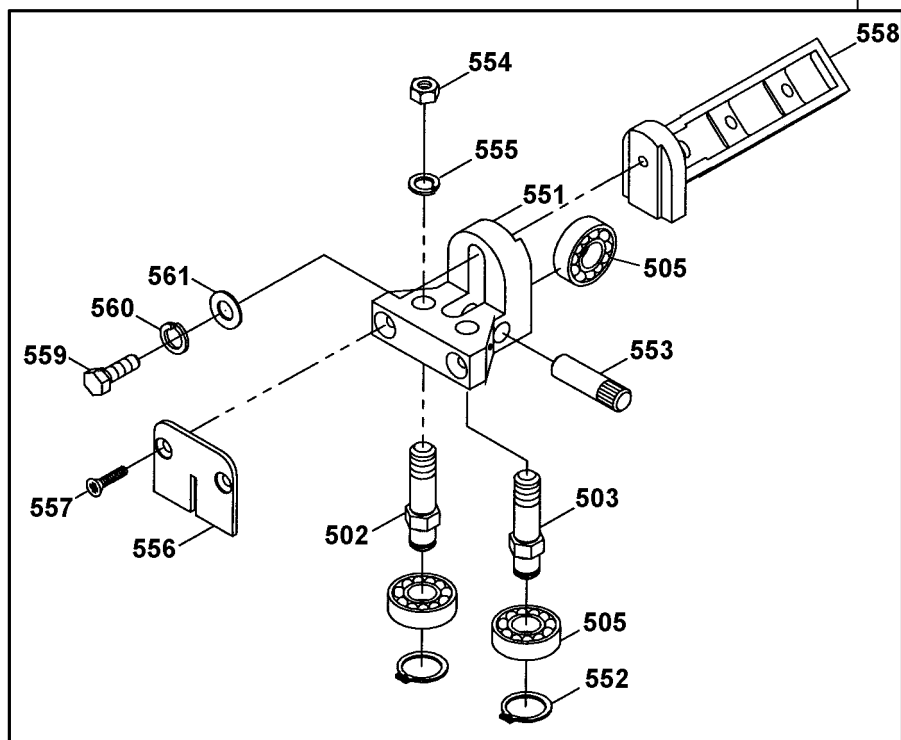
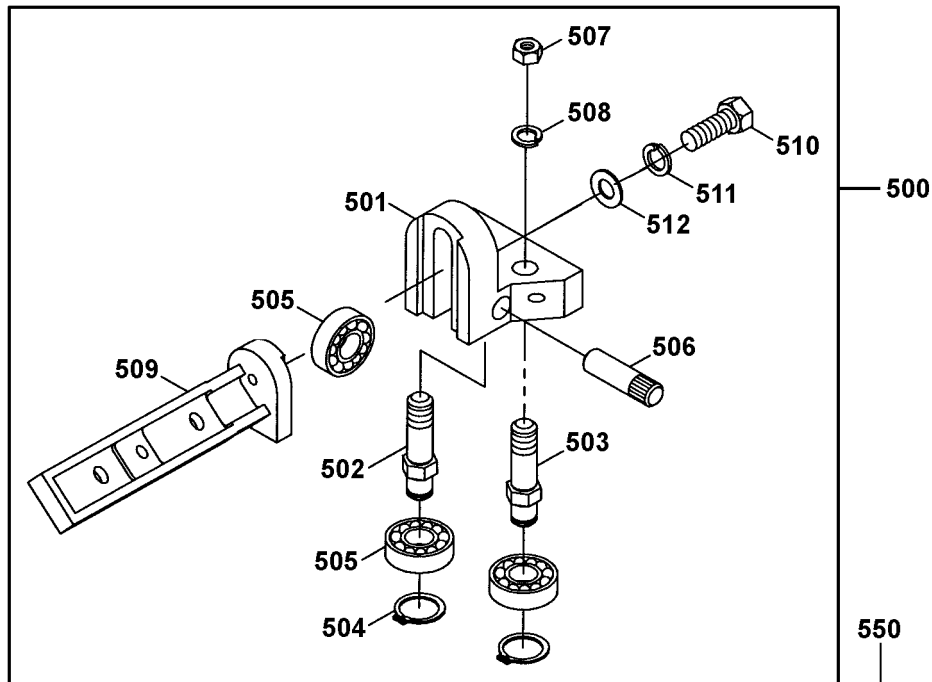
5" x 6" Dual Swivel Metal Cutting Bandsaw Scie à Ruban 5" x 6" pour Métal à Double Pivot



Revised/Revisé 08/2008

Blade Guides Diagram / Diagramme des Guides de Lame

KC-129DS





® Parts Pricing List / Liste de Prix des Pièces **KC-129DS**

Diag.	Order # Com.	English Description	Description Française	Qty./Qté.	Price/Prix
1	1212900010	HEX. BOLT	BOULON HEXAGONAL	4	\$1.73
3	1212900030	WASHER	RONDELLE	1	\$1.73
4-1	1212900041	SIDE PLATE (FOR WHEELS)	PLAQUE DE COTE (POUR ROUES)	1	\$109.19
4-2	1212900042	SIDE PLATE (FOR FEET)	PLAQUE DE COTE (POUR PIEDS)	1	\$109.19
4-3	1212900043	CHIP PAN	PLATEAU DES COPEAUX	1	\$80.44
4-4	1212900044	WASHER	RONDELLE	20	\$1.73
4-5	1212900045	HEX. NUT	ECROU HEXAGONAL	10	\$1.55
4-6	1212900046	WHEEL BASE	BASE DE ROUE	1	\$68.94
4-8	1212900048	RUBBER FOOT	PIED EN CAOUTCHOUC	2	\$6.84
4-9	1212900049	HEX. BOLT	BOULON HEXAGONAL	10	\$1.73
6	1212900060	HEX. NUT	ECROU HEXAGONAL	4	\$1.55
9-1	1212900091	WHEEL	ROUE	2	\$14.89
9-2	1212900092	WASHER	RONDELLE	4	\$2.47
9-3	1212900093	COTTER PIN	GOUPILLE FENDUE	2	\$2.59
9-4	1212900094	WHEEL ROD	TIGE DE ROUE	1	\$34.44
16	1212900160	MOTOR CABLE	CABLE DU MOTEUR	1	\$14.89
17	1212900170	PIVOTING ROD	TIGE DE PIVOTEMENT	1	\$17.19
19	1212900190	DISTANCE SET BRACKET	BUTEE DE COUPE	1	\$16.73
20	1212900200	SET SCREW	VIS SANS TETE	1	\$1.67
21	1212900210	STOCK STOP ROD	TIGE DE LA BUTEE	1	\$10.29
35	1212900350	WASHER	RONDELLE	3	\$1.84
40	1212900400	PAN HD SCREW	VIS A TETE BOMBEE	1	\$1.55
41	1212900410	WIRE RING	BAGUE DE FIL	1	\$2.82
44	1212900440	POWER CORD	CORDON D'ALIMENTATION	1	\$22.94
50	1212900500	HEX. BOLT	BOULON HEXAGONAL	2	\$1.73
51	1212900510	WASHER	RONDELLE	3	\$1.73
54	1212900540	PIVOT	PIVOT	1	\$57.44
58	1212900580	LOCK KNOB	BOUTON DE SERRAGE	1	\$3.74
59	1212900590	SAFETY COVER	COUVERCLE DE SECURITE	1	\$80.44
59-2	1212900592	SPECIAL SCREW	VIS SPECIALE	2	\$3.28
66	1212900660	LOCK KNOB	BOUTON DE SERRAGE	1	\$8.45
69	1212900690	HEX. BOLT	BOULON HEXAGONAL	1	\$2.07
71	1212900710	DRIVE WHEEL	ROUE D'ENTRAINEMENT	1	\$68.94
71-1	1212900711	SET SCREW	VIS SANS TETE	2	\$1.67
72	1212900720	BEARING COVER	COUVERCLE DE ROULEMENT	2	\$7.53
73	1212900730	KEY	CLE DE RETENUE	1	\$2.01
74	1212900740	KEY	CLE DE RETENUE	1	\$2.13
75	1212900750	SPEC. HEX. BOLT W/SPRING WASHER	BOULON HEX. SPEC. A/ROND. A RES.	5	\$2.01
76-1	1212900761	SWITCH CUT-OFF TIP	PLAQUE D'INTERRUPTEUR	1	\$2.59
76-2	1212900762	HEX. NUT	ECROU HEXAGONAL	1	\$1.55
76-3	1212900763	HEX. BOLT	BOULON HEXAGONAL	1	\$1.90
76-4	1212900764	HEX. BOLT	BOULON HEXAGONAL	1	\$2.01
76-5	1212900765	SPRING WASHER	RONDELLE A RESSORT	1	\$1.50
77	1212900770	BLADE WHEEL ASSEMBLY (REAR)	ROUE DE LAME ASS. (ARRIERE)	1	\$91.94
77-1	1212900771	BLADE WHEEL (REAR)	ROUE DE LAME (ARRIERE)	1	\$80.44
77-2	1212900772	BLADE WHEEL BLOCK/SHAFT ASS.	TIGE ET BLOC DE LA ROUE ASS.	1	\$28.69
77-5	1212900775	BUSHING	BAGUE	1	\$13.74

Pricing subject to change without prior notice. / Prix sujet à changement sans préavis.



Parts Pricing List / Liste de Prix des Pièces **KC-129DS**

Diag.	Order # Com.	English Description	Description Française	Qty./Qté.	Price/Prix
79	1212900790	TENSION KNOB	BOUTON DE TENSION	1	\$7.99
80	1212900800	SPRING	RESSORT	1	\$3.28
81	1212900810	BODY FRAME	CORPS	1	\$327.75
83	1212900830	HEX. BOLT	BOULON HEXAGONAL	2	\$2.24
84	1212900840	MOTOR MOUNT PLATE	PLAQUE DU MOTEUR	1	\$32.14
85	1212900850	MOTOR	MOTEUR	1	\$286.35
85-1	1212900851	WIRE GUARD	PROTECTEUR DE FIL	1	\$3.39
86	1212900860	MOTOR PULLEY	POULIE DU MOTEUR	1	\$20.53
86-1	1212900861	SET SCREW	VIS SANS TETE	1	\$1.61
89	1212900890	OIL SEAL	JOINT D'ETANCHEITE	1	\$14.66
90	1212900900	TRANSMISSION SHAFT ASSEMBLY	TIGE DE TRANSMISSION ASSEMBLEE	1	\$68.94
90-1	1212900901	TRANSMISSION SHAFT	TIGE DE TRANSMISSION	1	\$22.94
90-2	1212900902	WORM GEAR	PINION	1	\$42.15
90-3	1212900903	SPRING PIN	GOUPILLE A RESSORT	1	\$1.67
90-4	1212900904	KEY	CLE DE RETENUE	1	\$2.01
90-5	1212900905	BALL BEARING	ROULEMENT A BILLES	2	\$11.44
90-6	1212900906	BUSHING	BAGUE	1	\$1.78
90-7	1212900907	OIL SEAL	JOINT D'ETANCHEITE	1	\$14.66
92	1212900920	GEAR BOX GASKET	JOINT DU BOITIER	1	\$5.69
93	1212900930	GEAR BOX COVER	COUVERCLE DU BOITIER D'ENGRENAGE	1	\$14.89
94	1212900940	WORM GEAR SHAFT ASSEMBLY	TIGE DU PINION ASSEMBLEE	1	\$97.69
94-1	1212900941	WORM GEAR SHAFT	TIGE DU PINION	1	\$42.15
94-2	1212900942	BALL BEARING	ROULEMENT A BILLES	2	\$11.44
94-3	1212900943	BEARING BUSHING	BAGUE DU ROULEMENT	1	\$9.14
98	1212900980	THUMB SCREW	BOUTON	1	\$4.54
99	1212900990	WASHER	RONDELLE	8	\$1.73
100	1212901000	COUNTERSUNK SCREW	VIS A TETE FRAISEE	6	\$1.55
101	1212901010	WORM GEAR PULLEY	POULIE D'ENGRENAGE SANS FIN	1	\$68.94
101-1	1212901011	SET SCREW	VIS SANS TETE	1	\$2.01
103-1	1212901031	SHAFT BLOCK	BLOC DE LA TIGE	1	\$8.80
103-2	1212901032	TENSION SLIDING PLATE	PLAQUE DE GLISSEMENT	1	\$20.64
103-3	1212901033	SET SCREW	VIS SANS TETE	1	\$2.13
103-4	1212901034	WASHER	RONDELLE	2	\$1.73
103-5	1212901035	HEX. BOLT	BOULON HEXAGONAL	1	\$2.01
104	1212901040	HEX. BOLT	BOULON HEXAGONAL	1	\$1.90
109	1212901090	TENSION SLIDING GUIDE	GUIDES DE TENSION	2	\$5.58
111	1212901110	COMPLETE PULLEY COVER	COUVERCLE DES POULIES COMP.	1	\$103.44
112	1212901120	V-BELT	COURROIE EN "V"	1	\$10.29
113	KBB-115	BLADE	LAME	1	-
116	1212901160	WASHER	RONDELLE	2	\$1.55
118	1212901180	HEX. BOLT	BOULON HEXAGONAL	2	\$1.55
120	1212901200	BUSHING	BAGUE	2	\$4.20
124	1212901240	LOCKING LEVER	LEVIER DE VEROUILLAGE	1	\$5.69
125	1212901250	HEX. BOLT	BOULON HEXAGONAL	1	\$1.73
126	1212901260	HEX. BOLT W/SPRING WASHER	BOULON HEXAGONAL A/RON. A RES.	1	\$2.01
127	1212901270	WASHER	RONDELLE	1	\$1.55
132	1212901320	RIGHT SAFETY GUARD	PROTECTEUR DROIT	1	\$14.89

Pricing subject to change without prior notice. / Prix sujet à changement sans préavis.



Parts Pricing List / Liste de Prix des Pièces KC-129DS

Diag.	Order # Com.	English Description	Description Française	Qty./Qté.	Price/Prix
133	1212901330	LEFT SAFETY GUARD	PROTECTEUR GAUCHE	1	\$14.89
134	1212901340	PAN HD SCREW	VIS A TETE BOMBEE	2	\$1.50
158	1212901580	WASHER	RONDELLE	1	\$1.55
159	1212901590	TAPPING SCREW	VIS AUTOTARAUDEUSE	1	\$1.67
198	1212901980	RETAINING RING/SHAFT	ANNEAU DE RETENU/TIGE	1	\$1.55
212	1212902120	HEX. BOLT	BOULON HEXAGONAL	2	\$1.90
214	1212902140	HEX. BOLT	BOULON HEXAGONAL	4	\$2.01
224-1	1212902241	PAN HD SCREW	VIS A TETE BOMBEE	2	\$1.55
224-2	1212902242	WASHER	RONDELLE	2	\$1.50
224-3	1212902243	SWITCH BASE	BASE DE L'INTERRUPTEUR	1	\$22.94
224-4	1212902244	SWITCH OFF LEVER	LEVIER D'ARRET	1	\$14.89
224-5	1212902245	PAN HD SCREW	VIS A TETE BOMBEE	1	\$2.01
226	1212902260	PUSH SWITCH ASSEMBLY	INTERRUPTEUR A POUSSER ASS.	1	\$103.44
226-1	1212902261	PUSH SWITCH	INTERRUPTEUR A POUSSER	1	\$68.94
226-2	1212902262	TAPPING SCREW	VIS AUTOTARAUDEUSE	4	\$1.67
226-3	1212902263	ELECTRICAL BOX (ONLY)	BOITE ELECTRIQUE (SEULEMENT)	1	\$45.94
226-4	1212902264	STRAIN RELIEF	ATTACHE FIL	2	\$2.59
226-5	1212902265	PAN HD SCREW	VIS A TETE BOMBEE	2	\$1.67
301-1	1212903011	HANDWHEEL ASSEMBLY	MANIVELLE D'OPERATION ASS.	1	\$26.28
301-2	1212903012	THREADED ROD	TIGE SANS FIN	1	\$52.84
301-3	1212903013	WISE NUT	ECROU (TIGE SANS FIN)	1	\$19.49
301-4	1212903014	HEX. BOLT	BOULON HEXAGONAL	1	\$1.90
301-5	1212903015	WORKING TABLE	TABLE DE TRAVAIL	1	\$171.35
301-6	1212903016	WISE JAW SLATE	PLAQUE ARRIERE DE L'ETAU	1	\$45.94
301-7	1212903017	SPRING WASHER	RONDELLE A RESSORT	3	\$1.67
301-8	1212903018	HEX. BOLT	BOULON HEXAGONAL	3	\$1.73
301-9	1212903019	WASHER	RONDELLE	1	\$1.84
302	1212903020	SET SCREW	VIS SANS TETE	4	\$1.55
303	1212903030	BUSHING	BAGUE	2	\$10.29
304	1212903040	SPRING WASHER	RONDELLE A RESSORT	2	\$1.67
305	1212903050	CAP SCREW	BOULON A TETE CYLINDRIQUE	2	\$2.07
353	1212903530	TABLE BASE	BASE DE LA TABLE	1	\$281.75
353-1	1212903531	SCALE	ECHELLE	1	\$22.94
353-3	1212903533	RIVET	RIVET	3	\$1.55
354	1212903540	SPECIAL SCREW	VIS SPECIALE	1	\$7.99
355	1212903550	INDICATOR	INDICATEUR	1	\$4.31
356	1212903560	RIVET	RIVET	2	\$1.55
357	1212903570	POSITIONING RING	ANNEAU DE POSITIONNEMENT	1	\$7.99
358	1212903580	UPPER SWIVEL BASE	BASE A ONGLETS	1	\$155.25
361	1212903610	CAP SCREW	BOULON A TETE CYLINDRIQUE	1	\$3.28
362	1212903620	LOCK HANDLE (FEMALE THREAD)	POIGNEE DE VERR. (FILETAGE INT.)	1	\$25.24
363	1212903630	HEX. NUT	ECROU HEXAGONAL	1	\$1.61
364	1212903640	HEX. BOLT	BOULON HEXAGONAL	1	\$2.13
369	1212903690	WASHER	RONDELLE	4	\$1.55
370	1212903700	HEX. BOLT	BOULON HEXAGONAL	4	\$2.13
371	1212903710	MOVABLE VISE PLATE	PLAQUE D'ETAU MOBILE	1	\$52.84
400	1212904000	SET SCREW	VIS SANS TETE	1	\$1.67

Pricing subject to change without prior notice. / Prix sujet à changement sans préavis.



® Parts Pricing List / Liste de Prix des Pièces KC-129DS

Diag.	Order # Com.	English Description	Description Française	Qty./Qté.	Price/Prix
401	1212904010	PAN HD SCREW	VIS A TETE BOMBEE	1	\$1.55
402	1212904020	WASHER	RONDELLE	1	\$1.50
403	1212904030	COMPLETE CYLINDER	CYLINDRE COMPLET	1	\$224.25
404	1212904040	CYLINDER SHAFT	TIGE DU CYLINDRE	1	\$17.19
407	1212904070	SPECIAL CAP SCREW	BOULON A TETE CYLINDRIQUE SPEC.	1	\$6.84
409	1212904090	CYLINDER UPPER BRACKET	SUPPORT DE CYLINDRE DU HAUT	1	\$57.44
410	1212904100	WASHER	RONDELLE	2	\$1.55
410-1	1212904101	SPRING WASHER	RONDELLE A RESSORT	1	\$1.55
411	1212904110	HEX. BOLT	BOULON HEXAGONAL	2	\$1.73
412	1212904120	WASHER	RONDELLE	2	\$1.67
444-4	1212904444	STAND ASSEMBLY	SUPPORT ASSEMBLE	1	\$431.25
500	1212905000	FRONT BLADE GUIDE ASSEMBLY	GUIDE DE LAME AVANT ASSEMBLE	1	\$97.58
501	1212905010	BEARING ADJ. BRACKET (FRONT)	SUPPORT ADJUST./ROULEMENTS (AV.)	1	\$26.28
502	1212905020	BEARING SHAFT	TIGE DU ROULEMENT	2	\$4.20
503	1212905030	RIGHT PIVOT GUIDE	TIGE DU ROULEMENT DROITE	2	\$4.20
504	1212905040	RETAINING RING/SHAFT	ANNEAU DE RETENUE/TIGE	2	\$1.50
505	1212905050	BALL BEARING	ROULEMENT A BILLES	6	\$12.59
506	1212905060	BEARING PIN	GOUPILLE	1	\$5.46
507	1212905070	HEX. NUT	ECROU HEXAGONAL	1	\$1.61
508	1212905080	SPRING WASHER	RONDELLE A RESSORT	1	\$1.55
509	1212905090	LEFT ADJUSTING BRACKET	SUPPORT GAUCHE	1	\$22.94
510	1212905100	HEX. BOLT	BOULON HEXAGONAL	1	\$2.01
511	1212905110	SPRING WASHER	RONDELLE A RESSORT	1	\$1.67
512	1212905120	WASHER	RONDELLE	1	\$1.61
550	1212905500	REAR BLADE GUIDE ASSEMBLY	GUIDE DE LAME ASSEMBLEE	1	\$91.83
551	1212905510	READ BLADE ADJUST	AJUST. DE LAME ARRIERE	1	\$26.28
552	1212905520	RETAINING RING/SHAFT	ANNEAU DE RETENU/TIGE	2	\$1.50
553	1212905530	BEARING PIN	GOUPILLE	1	\$5.46
554	1212905540	HEX. NUT	ECROU HEXAGONAL	1	\$1.61
555	1212905550	SPRING WASHER	RONDELLE A RESSORT	1	\$1.55
556	1212905560	DEFLECTOR PLATE	PLAQUE DU ROULEMENT	1	\$6.15
557	1212905570	SPECIAL SCREW	VIS SPECIALE	2	\$2.24
558	1212905580	RIGHT ADJUSTABLE BRACKET	SUPPORT AJUSTABLE DROIT	1	\$22.94
559	1212905590	HEX. BOLT	BOULON HEXAGONAL	1	\$2.01
560	1212905600	SPRING WASHER	RONDELLE A RESSORT	1	\$1.67
561	1212905610	WASHER	RONDELLE	1	\$1.61
	121290MBIL	BILINGUAL MANUAL KC-129DS	MANUEL BILINGUE KC-129DS	1	\$15.00