



Service Manual / Manuel de Service

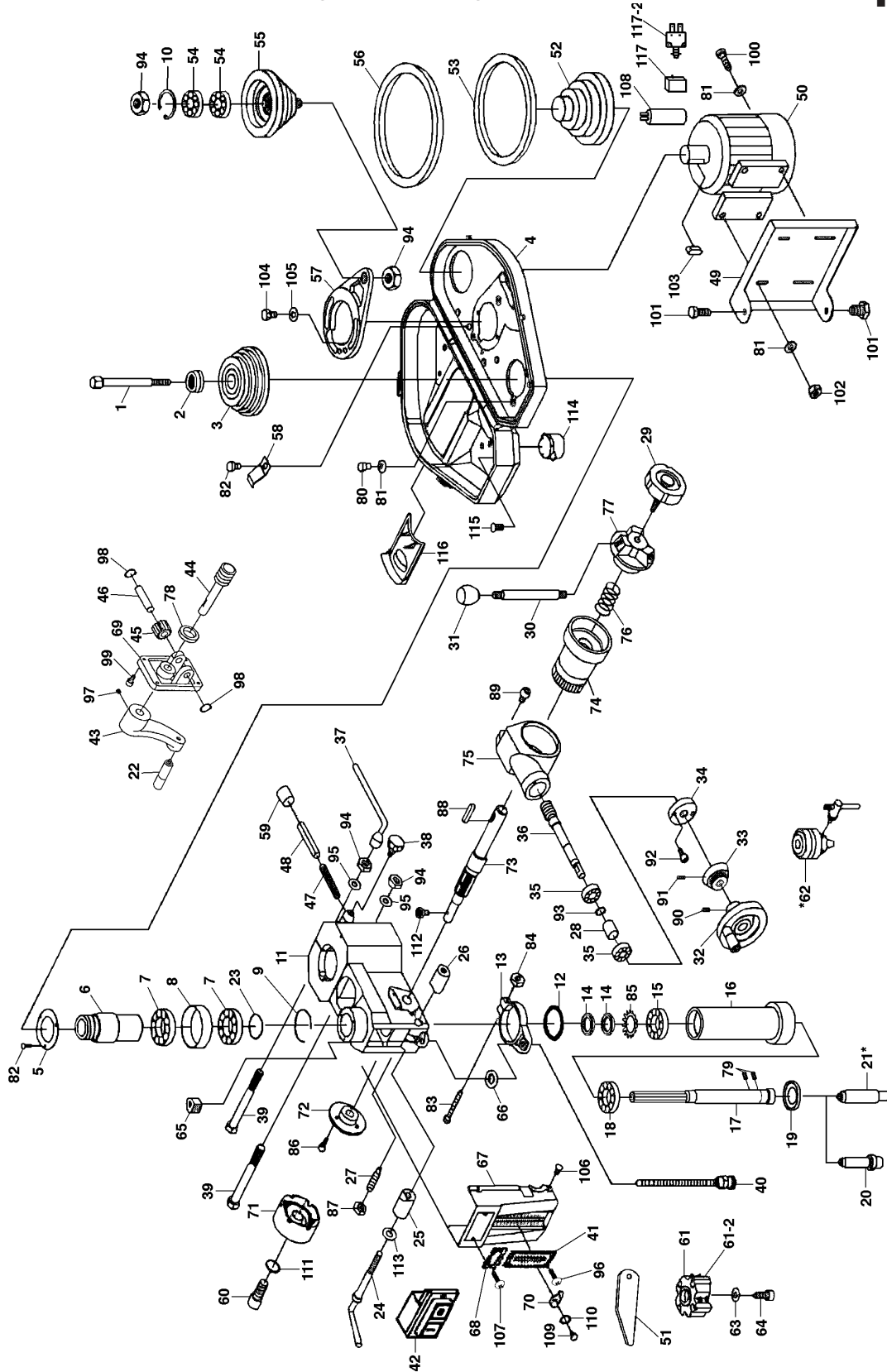
Milling/Drilling Machine Perceuse/Fraiseuse



Revised/Revisé 08/2008

Head Diagram / Diagramme de la Tête

PDM-30





Service Manual / Manuel de Service

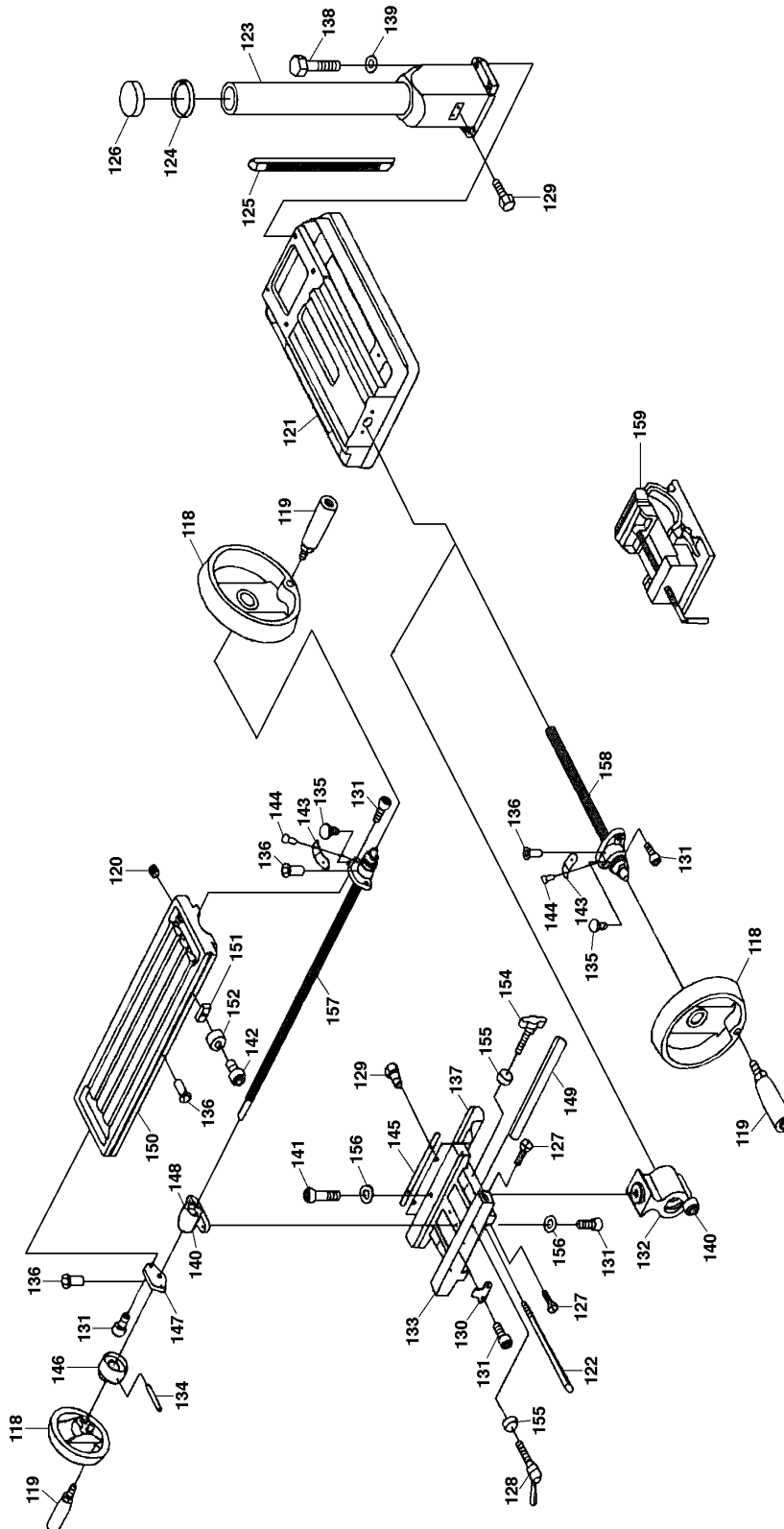
Milling/Drilling Machine Perceuse/Fraiseuse



Revised/Revisé 08/2008

Table Diagram / Diagramme de la Table

PDM-30





Service Manual / Manuel de Service

Milling/Drilling Machine Perceuse/Fraiseuse

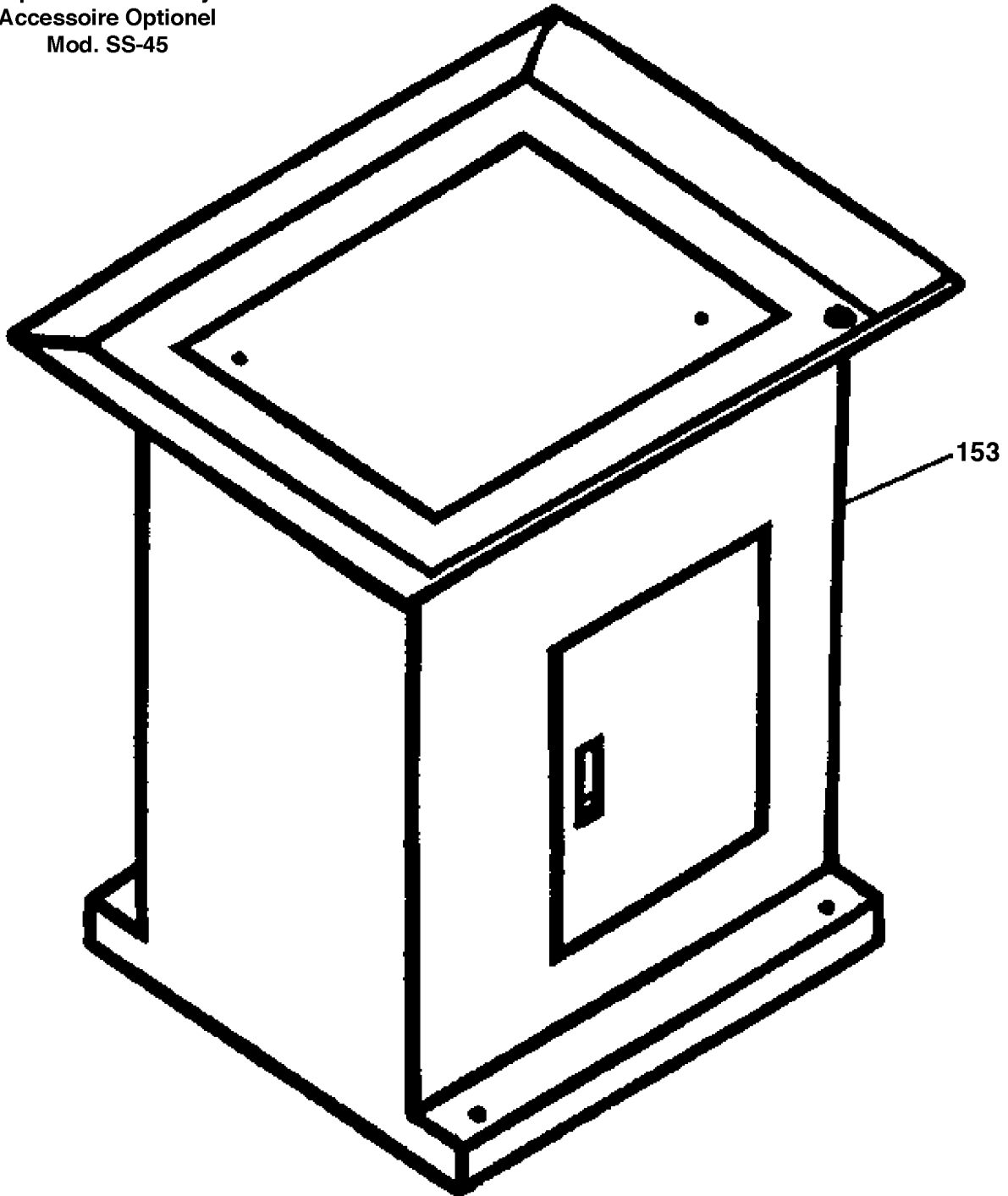


Revised/Revisé 08/2008

Stand Diagram / Diagramme du Support

PDM-30

Optional Accessory
Accessoire Optionnel
Mod. SS-45





Parts Pricing List / Liste de Prix des Pièces

PDM-30

Diag.	Order # Com.	English Description	Description Française	Qty./Qté.	Price/Prix
1	1200303001	CHUCK ARBOR BOLT	BOULON DE L'ARBRE	1	\$52.84
2	1200303002	SPINDLE LOCK NUT	ECROU DE L'ARBRE	1	\$14.55
3	1200303003	SPINDLE PULLEY	POULIE DE L'ARBRE	1	\$189.69
4	1200303004	BELT COVER	COUVRE-COURROIE	1	\$156.23
5	1200303005	OUTER BEARING PLATE	PLAQUE DU ROULEMENT EXTERIEUR	1	\$11.44
6	1200303006	SPINDLE TAPER SLEEVE	MANCHON CONIQUE DE L'ARBRE	1	\$80.33
7	1200303007	BALL BEARING	ROULEMENT A BILLES	2	\$55.14
8	1200303008	BEARING SPACER	ESPACEUR DE ROULEMENT	1	\$12.94
9	1200303009	"C" RETAINING RING	ANNEAU DE RETENU EN "C"	1	\$3.97
10	1200303010	"C" RETAINING RING	ANNEAU DE RETENU EN "C"	1	\$3.74
11	1200303011	HEAD BODY	TETE MAITRESSE	1	\$684.25
12	1200303012	RUBBER FLANGE	BRIDE EN CAOUTCHOUC	1	\$7.99
13	1200303013	FEED BASE	BASE DE L'ALIMENTATION	1	\$63.08
14	1200303014	LOCK NUT	ECROU DE RETENU	2	\$13.63
15	1200303015	TAPER ROLLER BEARING	ROULEMENT CONIQUE	1	\$98.61
16	1200303016	RACK SLEEVE	MANCHON	1	\$155.25
17	1200303017	SPINDLE SHAFT (R8)	TIGE DE L'ARBRE (R8)	1	\$344.60
18	1200303018	TAPER ROLLER BEARING	ROULEMENT CONIQUE	1	\$113.45
19	1200303019	BEARING CAP	CAPUCHON DU ROULEMENT	1	\$11.10
20	1200303020	CUTTER ARBOR	ARBRE DE LA TETE DE COUPE	1	\$86.19
21	1200303021	CHUCK ARBOR	ARBRE DU MANDRIN	1	\$65.49
22	1200303022	COMPLETE HANDLE	POIGNEE COMPLETE	1	\$12.59
23	1200303023	RETAINING RING	ANNEAU DE RETENU	1	\$2.59
24	1200303024	HANDLE ROD	POIGNEE	1	\$34.44
25	1200303025	FIXED TIGHT COLLAR	COLLET DE FIXATION	1	\$11.44
26	1200303026	FIXED TIGHT COLLAR (THREAD)	COLLET VISSE	1	\$12.59
27	1200303027	SCREW KEY	CLE VISSEE	1	\$4.31
28	1200303035	BEARING SPACER	BAGUE DE ROULEMENT	1	\$5.46
29	1200303038	LOCK KNOB	BOUTON DE VERROUILLAGE	1	\$9.72
30	1200303039	HANDLE ROD	TIGE DE POIGNEE	3	\$13.74
31	1200303040	KNOB	BOUTON	3	\$4.20
32	1200303042	FEED HANDLE WHEEL	POIGNEE DE L'ENTRAINEMENT	1	\$25.13
33	1200303044	MICRO ADJUSTING IND. (IMPERIAL)	INDICATEUR D'AJUSTEMENT (IMP.)	1	\$52.84
34	1200303045	WORM COVER	COUVERCLE D'ENGRENAGE SANS FIN	1	\$13.74
35	1200303046	BALL BEARING	ROULEMENT A BILLES	2	\$11.44
36	1200303047	WORM SHAFT	TIGE D'ENGRENAGE	1	\$63.19
37	1200303050	LOCK HANDLE	POIGNEE DE VERROUILLAGE	1	\$37.89
38	1200303051	THUMB SCREW	BOUTON DE VERROUILLAGE	1	\$8.68
39	1200303052	HEAD BODY FIX BOLT	BOULON DE FIXATION DE LA TETE	2	\$7.99
40	1200303054	GRADUATED ROD	TIGE GRADUEE	1	\$68.37
41	1200303055	GRADUATED PLATE	PLAQUE GRADUEE	1	\$9.14
42	1200303056	SWITCH	INTERRUPTEUR	1	\$43.41
43	1200303058	HEAD HANDLE	POIGNEE DE LA TETE	1	\$28.69
44	1200303059	WORM SHAFT	TIGE D'ENGRENAGE SANS FIN	1	\$65.26
45	1200303060	WORM GEAR	ENGRENAGE SANS FIN	1	\$34.33
46	1200303061	WORM GEAR SHAFT	TIGE DE L'ENGRENAGE	1	\$9.14
47	1200303062	COMPRESSION SPRING	RESSORT COMPRESSION	1	\$4.89

*Pricing subject to change without prior notice. / Prix sujet à changement sans préavis.



Parts Pricing List / Liste de Prix des Pièces

PDM-30

Diag.	Order # Com.	English Description	Description Française	Qty./Qté.	Price/Prix
48	1200303063	PIN	GOUPILLE	1	\$9.14
49	1200303066	MOTOR MOUNT	SUPPORT DU MOTEUR	1	\$60.89
50	1200303067	MOTOR	MOTEUR	1	\$573.85
51	1200303068	PUNCH KEY	POINCON (CLAVETTE)	1	\$11.44
52	1200303070	MOTOR PULLEY	POULIE DU MOTEUR	1	\$126.44
53	1200303071	V-BELT	COURROIE EN "V"	1	\$16.04
54	1200303072	BALL BEARING	ROULEMENT A BILLES	2	\$22.94
55	1200303073	INTER PULLEY ASS'Y	POULIE INTERMEDIAIRE ASSEMBLEE	1	\$155.19
56	1200303074	V-BELT	COURROIE EN "V"	1	\$18.34
57	1200303076	SPEED CHANGE INTER PULLEY BASE	SUPPORT DE POULIE/CHANGEMENT	1	\$78.14
58	1200303077	CLIP PLATE	ATTACHE DE PLAQUE	1	\$5.23
59	1200303079	RUBBER COLLAR	COLLIER EN CAOUTCHOUC	1	\$4.20
60	1200303085	CAP SCREW	BOULON A TETE CYLINDRIQUE	1	\$2.07
61	1200303086	4-KNIFE CUTTERHEAD	TETE DE COUPE AVEC 4 COUTEAUX	1	\$149.44
61-2	1200303861	CUTTERHEAD BLADE	COUTEAUX POUR TETE DE COUPE	4	\$45.94
62	KDC-12M	DRILL CHUCK	MANDRIN	1	-
63	1200303088	CUTTERHEAD WASHER	RONDELLE DE LA TETE DE COUPE	1	\$3.16
64	1200303089	CUTTERHEAD CAP SCREW	BOULON A TETE CYLINDRIQUE	1	\$2.24
65	1200303092	SET POSITION BLOCK	BLOC DE POSITION	1	\$26.39
66	1200303093	LOCK NUT	ECROU DE VERROUILLAGE	1	\$6.27
67	1200303096	FRONT COVER PLATE ASS'Y	COUVERCLE AVANT DE LA TETE ASS.	1	\$34.21
68	1200303097	PUSH SWITCH PROTECTION PIECE	PLAQUE DE L'INTERRUPTEUR	1	\$5.69
69	1200303101	HEAD RAISE BRACKET ASS'Y	SUP. DU BOITIER D'ELEVATION ASS.	1	\$63.19
70	1200303102	LIMIT PLATE	PLAQUE DE LIMITE	1	\$4.31
71	1200303104	SPRING ASS'Y	RESSORT ASSEMBLE	1	\$57.21
72	1200303105	SPRING BASE	BASE DU RESSORT	1	\$29.84
73	1200303106	PINION SHAFT	TIGE DU PIGNON	1	\$97.69
74	1200303107	WORM GEAR	ENGRENAGE SANS FIN	1	\$74.69
75	1200303108	FEED COVER	COUVERCLE DE L'ALIMENTATION	1	\$63.19
76	1200303109	SPRING	RESSORT	1	\$3.62
77	1200303110	HANDLE BASE	SUPPORT DES TIGES	1	\$73.31
78	1200303114	BUSHING	BAGUE	1	\$7.99
79	1200303128	SET SCREW	VIS SANS TETE	2	\$1.78
80	1200303131	HEX. BOLT	BOULON HEXAGONAL	4	\$1.67
81	1200303132	WASHER	RONDELLE	12	\$1.73
82	1200303133	PAN HD SCREW	VIS A TETE BOMBEE	4	\$1.67
83	1200303134	HEX. BOLT	BOULON HEXAGONAL	1	\$1.84
84	1200303135	HEX. NUT	ECROU HEXAGONAL	1	\$1.55
85	1200303137	TOOTHED WASHER	RONDELLE ETOILEE	1	\$4.20
86	1200303139	PAN HD SCREW	VIS A TETE BOMBEE	3	\$1.67
87	1200303141	HEX. NUT	ECROU HEXAGONAL	1	\$1.61
88	1200303142	KEY	CLE DE RETENUE	1	\$2.24
89	1200303143	CAP SCREW	BOULON A TETE CYLINDRIQUE	2	\$2.07
90	1200303145	SET SCREW	VIS SANS TETE	1	\$1.67
91	1200303146	SET SCREW	VIS SANS TETE	1	\$1.55
92	1200303147	CAP SCREW	BOULON A TETE CYLINDRIQUE	2	\$1.55
93	1200303148	RETAINING RING/SHAFT	ANNEAU DE RETENU/TIGE	1	\$1.55

*Pricing subject to change without prior notice. / Prix sujet à changement sans préavis.



Parts Pricing List / Liste de Prix des Pièces

PDM-30

Diag.	Order # Com.	English Description	Description Française	Qty./Qté.	Price/Prix
94	1200303150	HEX. NUT	ECROU HEXAGONAL	4	\$2.13
95	1200303151	WASHER	RONDELLE	2	\$2.82
96	1200303152	PAN HD SCREW	VIS A TETE BOMBEE	4	\$2.93
97	1200303153	SET SCREW	VIS SANS TETE	1	\$1.67
98	1200303154	RETAINING RING/SHAFT	ANNEAU DE RETENU/TIGE	2	\$1.55
99	1200303155	CAP SCREW	BOULON A TETE CYLINDRIQUE	4	\$2.76
100	1200303156	HEX. BOLT	BOULON HEXAGONAL	4	\$1.90
101	1200303157	HEX. BOLT	BOULON HEXAGONAL	2	\$1.90
102	1200303158	HEX. NUT	ECROU HEXAGONAL	4	\$1.55
103	1200303159	KEY	CLE DE RETENUE	1	\$2.70
104	1200303160	HEX. BOLT	BOULON HEXAGONAL	2	\$1.90
105	1200303161	WASHER	RONDELLE	2	\$1.73
106	1200303163	PAN HD SCREW	VIS A TETE BOMBEE	4	\$1.67
107	1200303164	PAN HD SCREW	VIS A TETE BOMBEE	2	\$2.93
108	1200303167	STARTING CAPACITOR	CONDENSATEUR DE DEMARRAGE	1	\$45.94
109	1200303184	PAN HD SCREW	VIS A TETE BOMBEE	1	\$1.67
110	1200303185	WASHER	RONDELLE	2	\$1.67
111	1200303187	WASHER	RONDELLE	1	\$2.59
112	1200303188	COUNTERSUNK SCREW	VIS A TETE FRAISEE	1	\$1.55
113	1200303191	WASHER	RONDELLE	1	\$2.13
114	1200303192	SPINDLE COVER	COUVERCLE DE L'ARBRE	1	\$9.14
115	1200303193	SCREW	VIS	2	\$2.24
116	1200303369	SHELF	TABLETTE	1	\$26.39
117	1200303672	RESET (FOR 220V)	DISJONCTEUR (POUR 220V)	1	\$25.13
117-2	1200303673	RESET (FOR 110V)	DISJONCTEUR (POUR 110V)	1	\$25.13
118	1200304010	TABLE HANDLE WHEEL	MANIVELLE DE LA TABLE	3	\$68.71
119	1200304011	COMPLETE WHEEL HANDLE	POIGNEE DE LA MANIVELLE COMP.	3	\$12.59
120	1200304035	TABLE DRAIN PLUG	BOUCHON DE DRAIN DE LA TABLE	2	\$3.74
121	1200304060	BASE	SOCLE	1	\$730.25
122	1200304070	GIB STRIP	GLISSIERE	1	\$45.94
123	1200304080	COLUMN WITH HOLDER	COLONNE AVEC SUPPORT	1	\$707.25
124	1200304090	COLUMN FLANGE RING	ANNEAU BRIDE DE LA COLONNE	1	\$51.69
125	1200304100	RACK	CREMAILLIERE	1	\$68.94
126	1200304110	COLUMN HEAD	TETE DE LA COLONNE	1	\$37.89
127	1200304120	GIB STRIP BOLT	BOULON DE LA GLISSIERE	2	\$4.54
128	1200304130	LEAF SCREW	BOULON A AILETTE	2	\$20.64
129	1200304131	HEX. BOLT	BOULON HEXAGONAL	4	\$1.61
130	1200304140	MOVABLE FIXED BLOCK	BLOC DE MOUVEMENT	1	\$11.44
131	1200304143	CAP SCREW	BOULON A TETE CYLINDRIQUE	10	\$2.07
132	1200304150	TABLE BASE NUT (Y)	ECROU DE LA TABLE (Y)	1	\$72.39
133	1200304160	CENTER BASE	SOCLE DU CENTRE	1	\$488.75
134	1200304166	SPRING PIN	GOUPILLE A RESSORT	1	\$1.67
135	1200304167	ZERO INDICATOR SCREW	VIS INDICATEUR ZERO	2	\$3.39
136	1200304168	OILER	HUILEUR	5	\$2.47
137	1200304170	COMPLETE ANTIDUST APRON	TABLIER ANTI MACHE-FER COMPLET	1	\$13.40
138	1200304172	HEX. BOLT	BOULON HEXAGONAL	4	\$3.39
139	1200304173	SPRING WASHER	RONDELLE A RESSORT	4	\$2.01

*Pricing subject to change without prior notice. / Prix sujet à changement sans préavis.



® **Parts Pricing List / Liste de Prix des Pièces**

PDM-30

Diag.	Order # Com.	English Description	Description Française	Qty./Qté.	Price/Prix
140	1200304174	CAP SCREW	BOULON A TETE CYLINDRIQUE	2	\$2.24
141	1200304175	CAP SCREW	BOULON A TETE CYLINDRIQUE	1	\$2.01
142	1200304176	CAP SCREW	BOULON A TETE CYLINDRIQUE	2	\$1.90
143	1200304177	SCALE INDICATOR	INDICATEUR	2	\$4.31
144	1200304178	RIVET	RIVET	4	\$1.55
145	1200304190	PLATE FOR ANTIDUST APRON	PLAQUE/TABLIER ANTI MACHE-FER	1	\$29.61
146	1200304200	TABLE CLUTCH	ENGRENAGE DE LA TABLE	1	\$68.83
147	1200304220	LEFT FLANGE	BRIDE GAUCHE	1	\$26.39
148	1200304230	TABLE NUT (X)	ECROU DE TABLE (X)	1	\$85.96
149	1200304270	GIB STRIP	GLISSIERE	1	\$40.19
150	1200304280	TABLE	TABLE	1	\$741.75
151	1200304290	FIXED BLOCK	BLOC DE FIXATION	2	\$6.04
152	1200304300	MOVABLE FIXED RING	ANNEAU DE MOUVEMENT	2	\$4.54
153	SS-45	COMPLETE STAND	BASE COMPLETE	1	-
154	1200304320	LOCK KNOB	BOUTON DE VERROUILLAGE	2	\$6.73
155	1200304330	BRASS DISC	DISQUE EN LAITON	4	\$6.84
156	1200304340	SPRING WASHER	RONDELLE RESSORT	3	\$1.67
157	1200304350	COMP. LONGITUDINAL TABLE SCREW	VIS SANS FIN LONG./TABLE COMP.	1	\$212.75
158	1200304360	COMP. TRANSVERSAL TABLE SCREW	VIS SANS FIN TRANS./TABLE COMP.	1	\$224.25
159	1200306241	3" ANGLE VISE	ETAU A ANGLE 3"	1	\$133.34
	120030MENG	ENGLISH MANUAL PDM-30	MANUEL ANGLAIS PDM-30	1	\$15.00
	120030MFRE	FRENCH MANUAL PDM-30	MANUEL FRANCAIS PDM-30	1	\$15.00

*Pricing subject to change without prior notice. / Prix sujet à changement sans préavis.