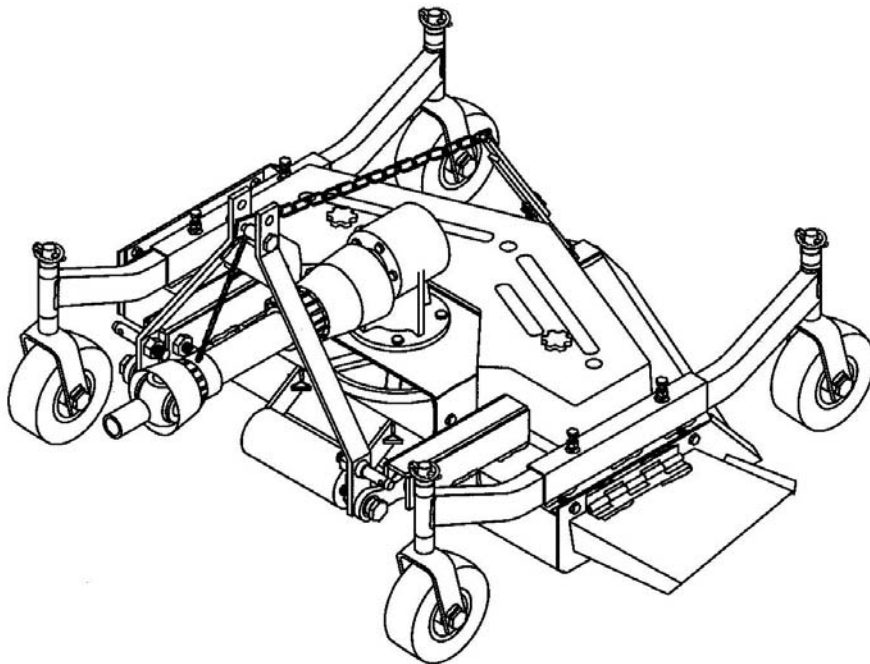


XB

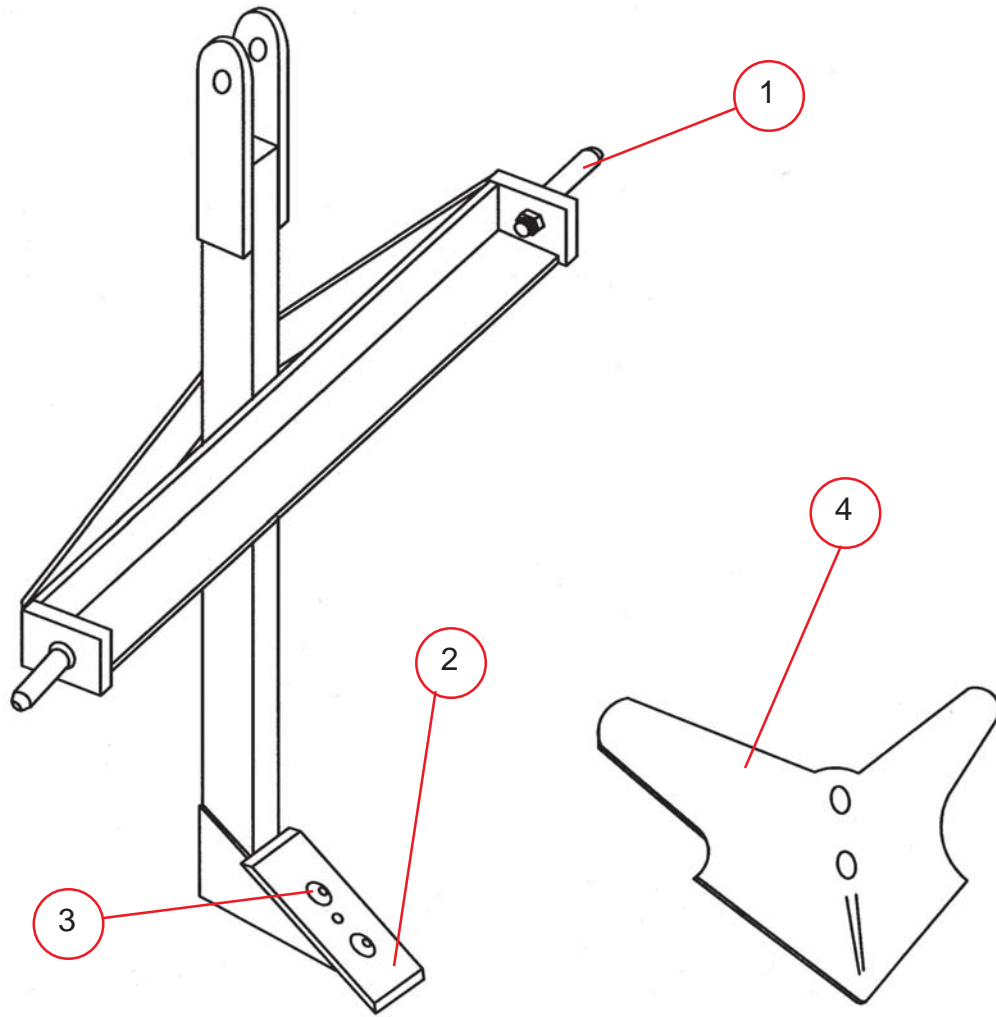
PARTS MANUAL



CONTENTS

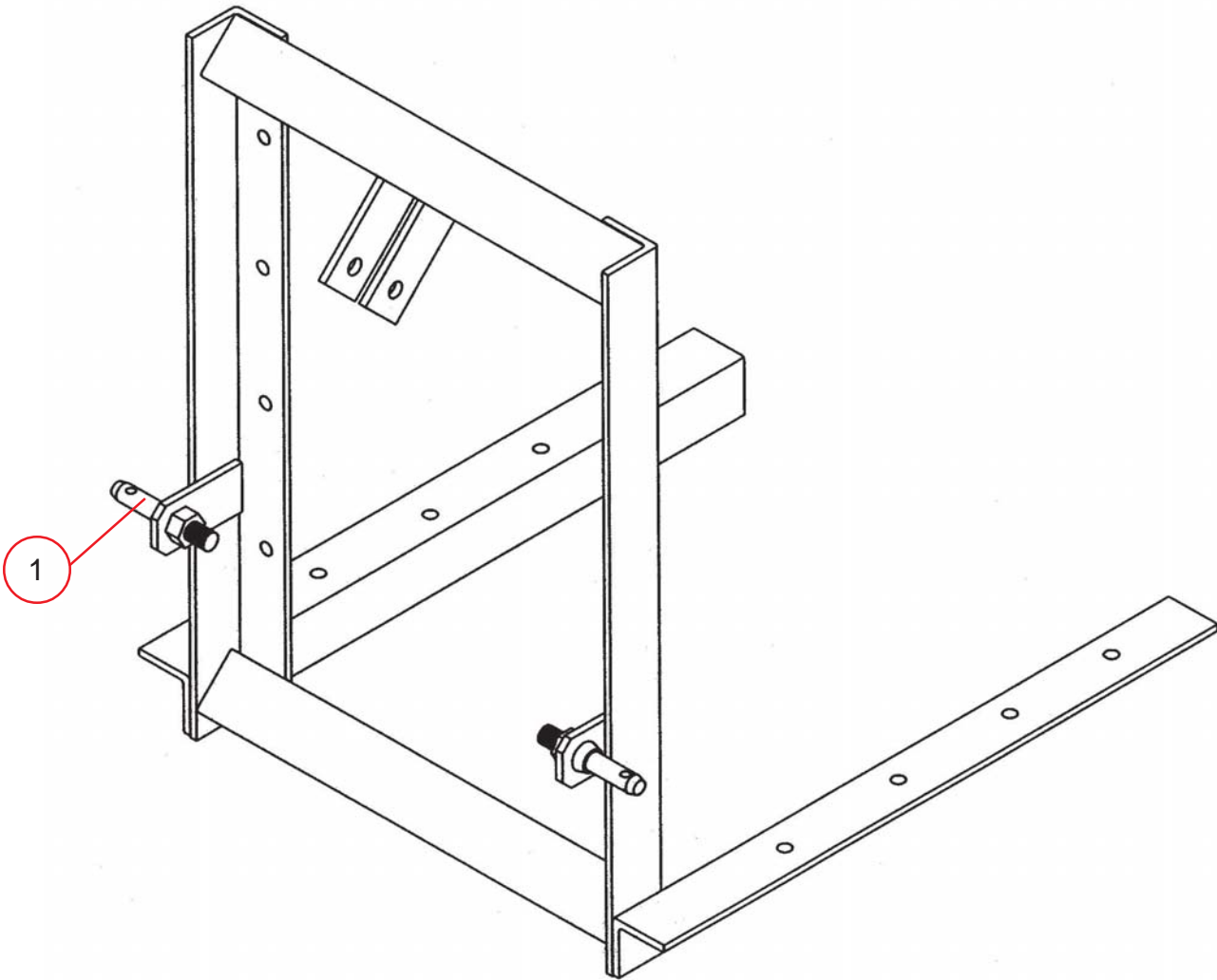
	Page
Middle Buster/ Sub Soiler -----	3
Carry All -----	4
Dirt Scoop -----	5
Yard Rake-----	6
Rear Blade -----	7
Box Blade-----	8
Angle Frame Disc -----	9
Kutter -----	10
Finishing Mower-----	12
40hp Gearbox -----	14
PTO Shaft -----	16
Blade Spindle Unit-----	17

XB MIDDLE BUSTER/SUB-SOILER



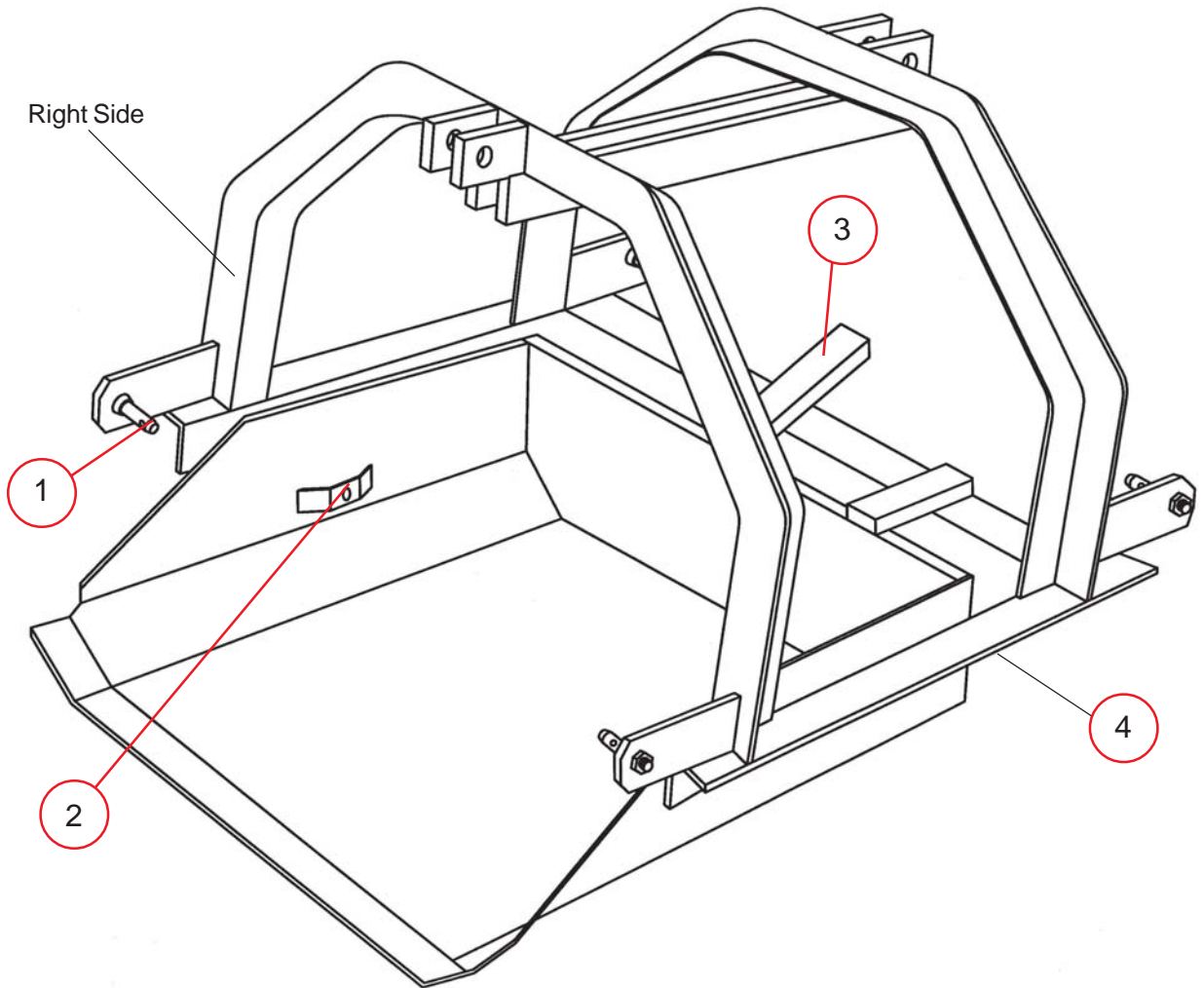
Ref. No.	Part Name	Part No.
1	(Cat 1) Lift Pins (2/pk)	500001
2	Sub-Soiler Point	177008
3	1/2 x 3-1/2 Plow Bolt Set (2/pk)	503002
4	Furrower - 12"	177007

XB CARRY ALL



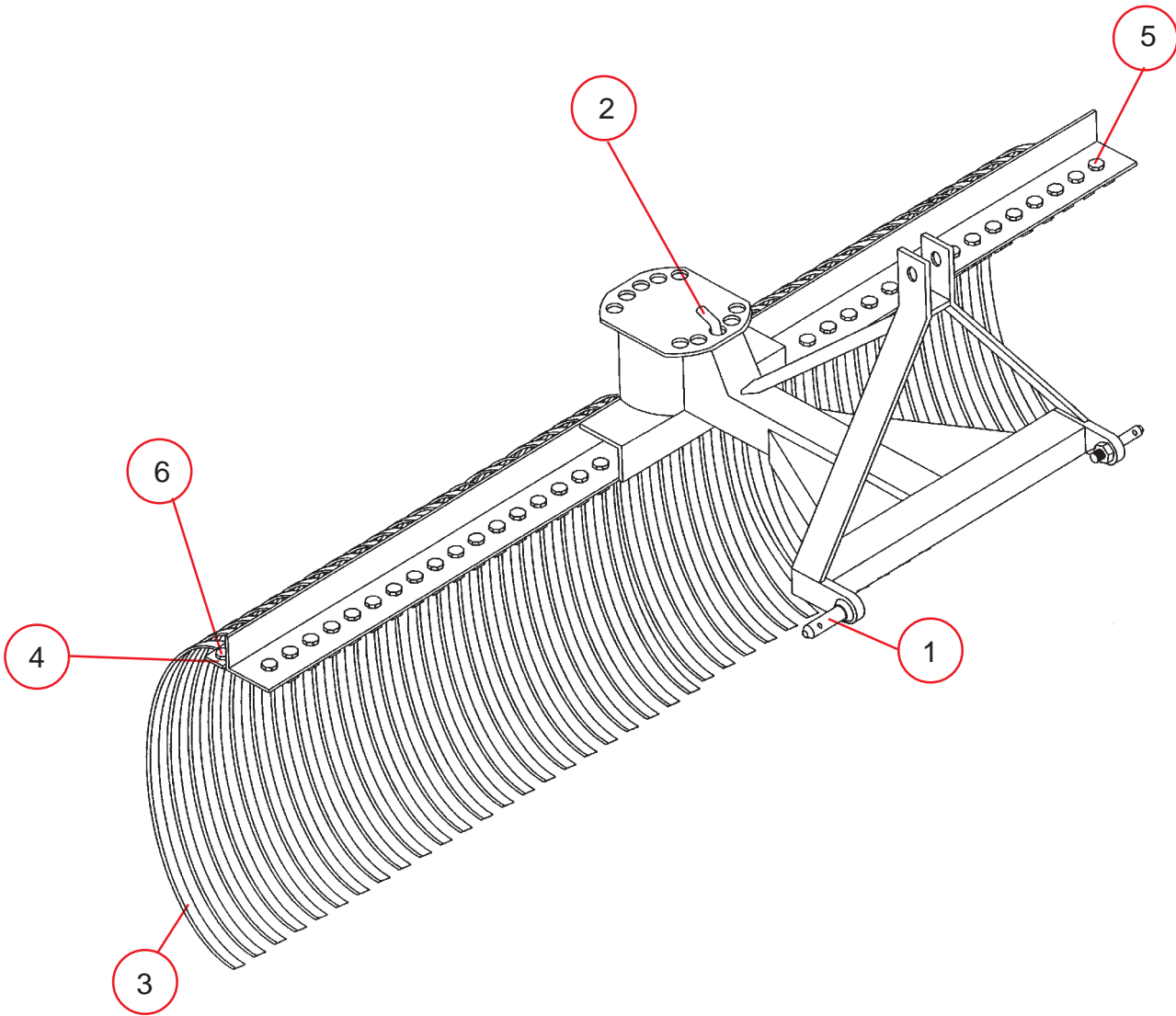
Ref. No.	Part Name	Part #
1	(Cat 1) Lift Pin (2/pk)	500001

XB DIRT SCOOP



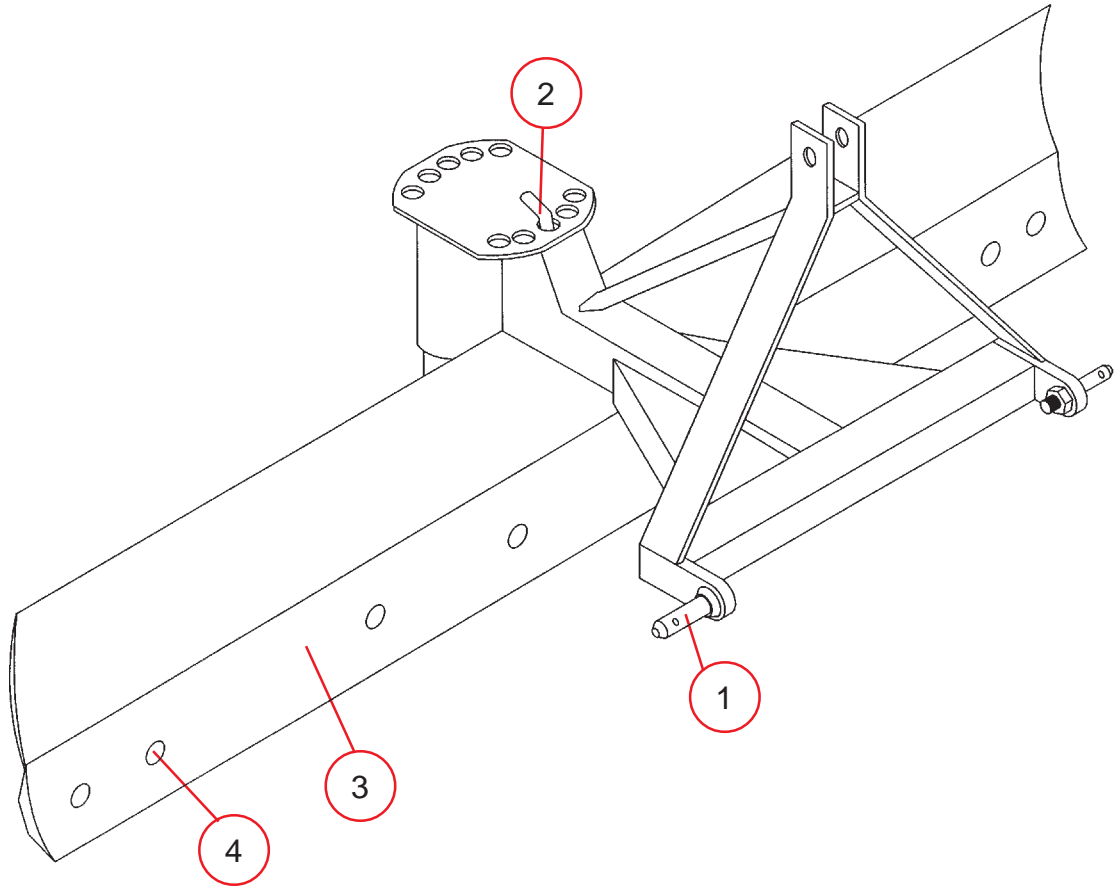
Ref. No.	Part Name	24"
1	(Cat 1) Lift Pin (2/pk)	500001
2	Hinge Pin	505003
3	Frame Latch Handle	325035
4	Latch Roller Assembly (<i>not shown</i>)	505001

XB YARD RAKE



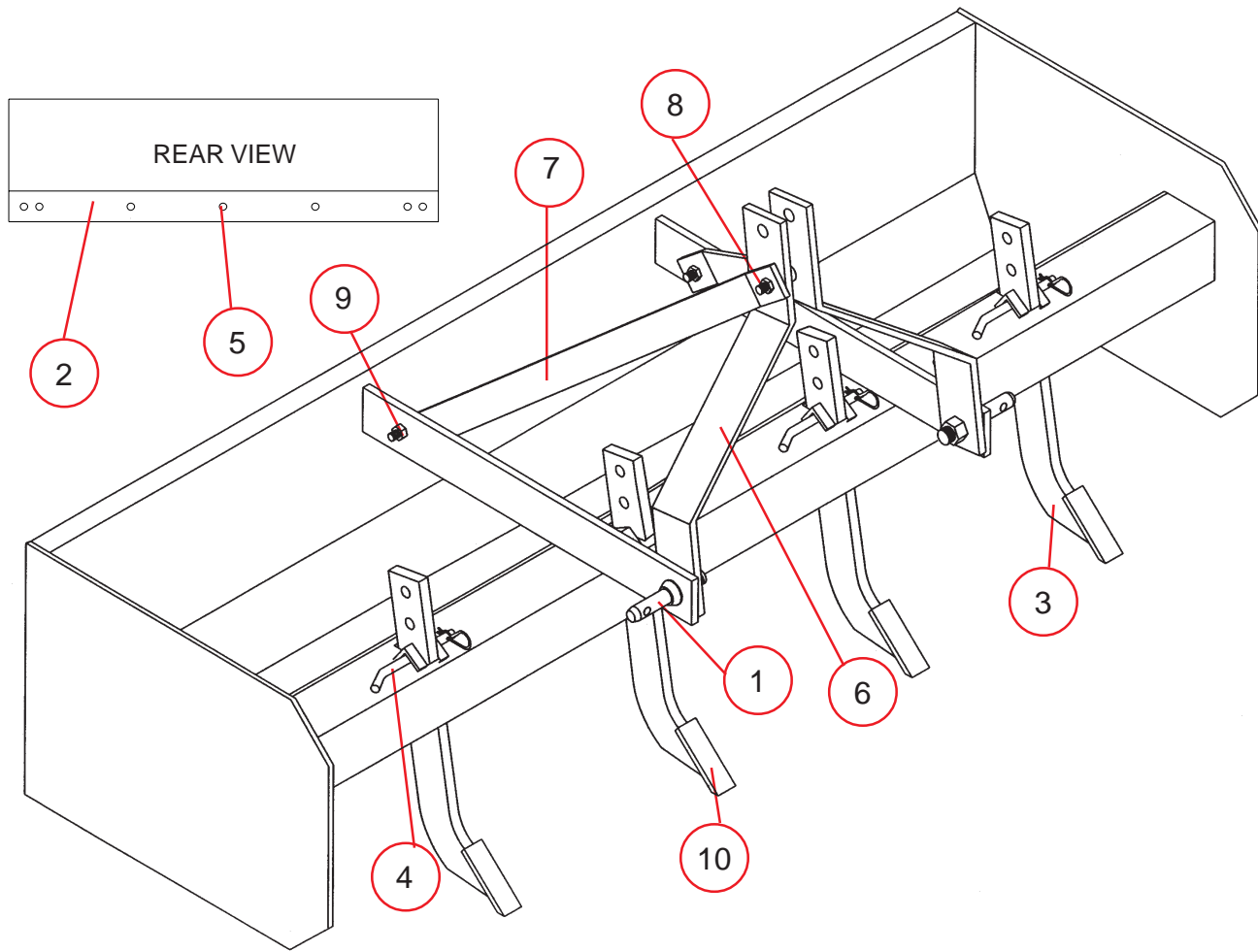
Ref. No.	Part Name	Part No.
1	(Cat 1) Lift Pin (2/pk)	500001
2	Index Pin	340065
3	Tines(5/pk)	503006
4	60" Strap	350063
5	3/8 x 1 Bolt	-
6	3/8 x 1-1/2 Bolt	-

XB REAR BLADE



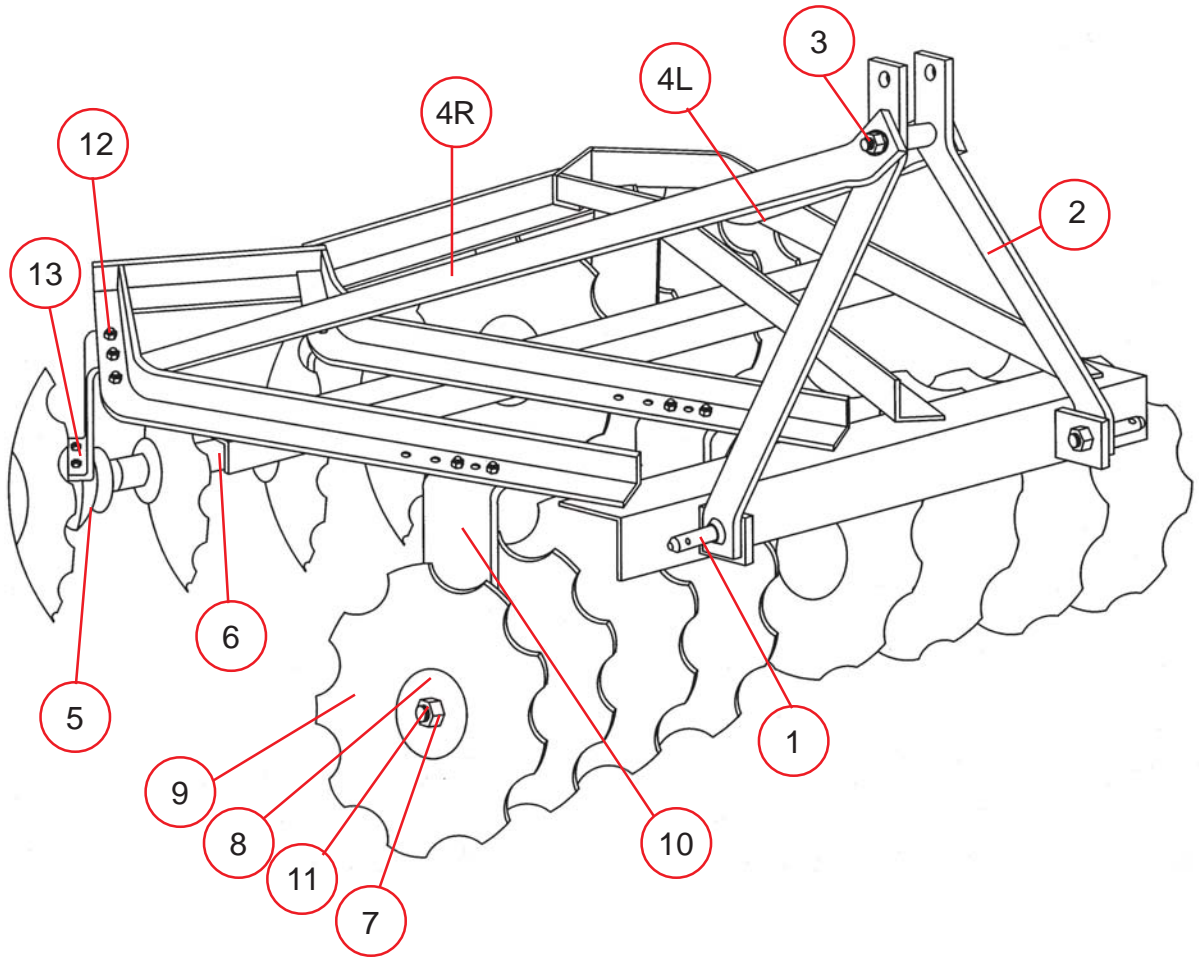
Ref. No.	Part Name	Part No.
1	(Cat 1) Lift Pin (2/pk)	500001
2	Index Pin	340065
3	60" Cutting Edge	188015
4	Cutting Edge Bolt Set (9/pk)	503001

XB BOX BLADE



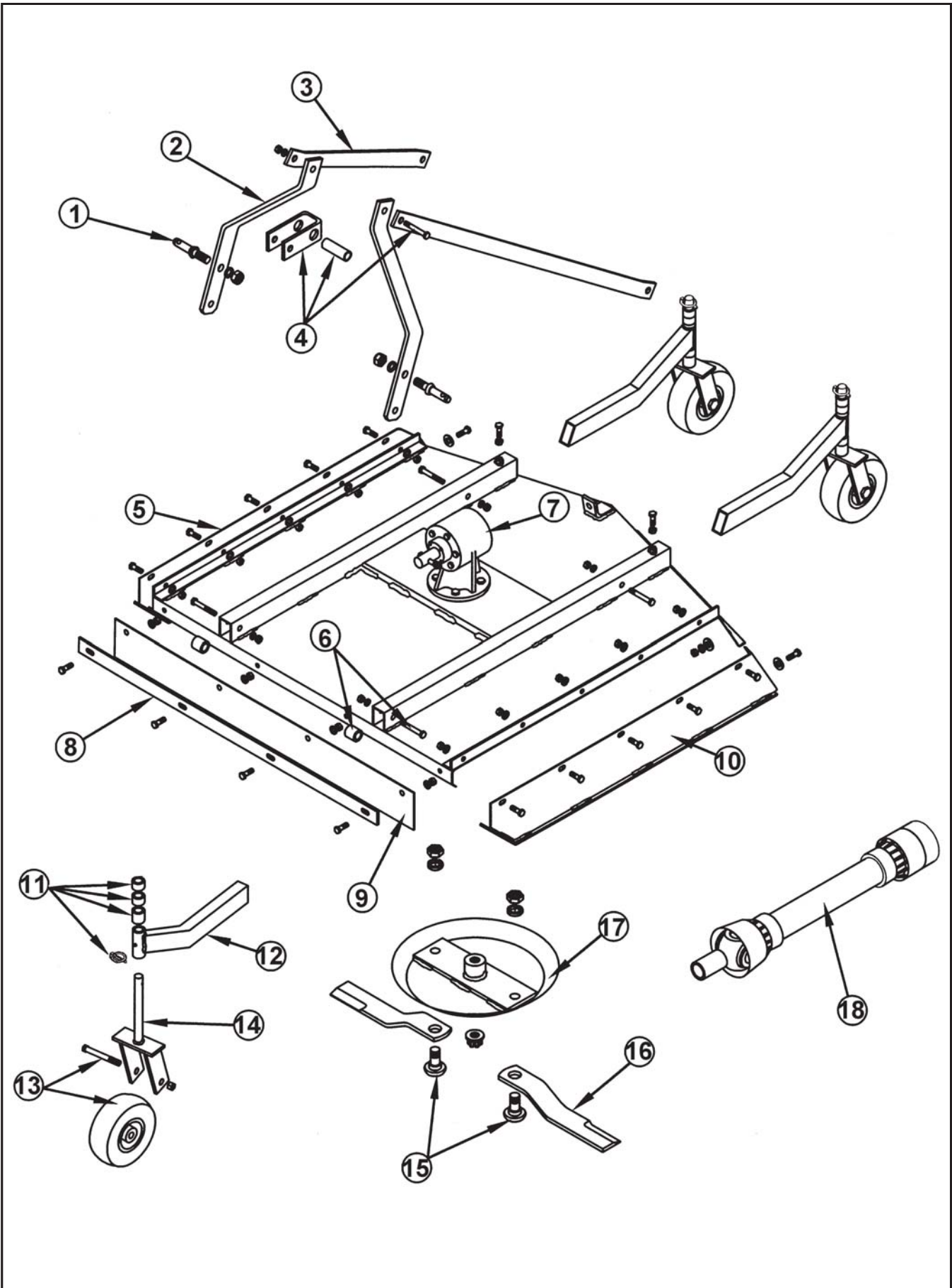
Ref. No.	Part Name	Part Number
1	(Cat 1) Lift Pin (2/pk)	500001
2	48" Cutting Edge	188005
3	Ripper Shank /w Tooth	403012
4	"L" Pin /w Hair Pin	503501
5	Cutting Edge Mounting Bolt Set	503001
6	Lift Arm	311055
7	Lift Arm Brace	311056
8	5/8 x 4-1/2 Lift Arm Spacer Kit	501090
9	5/8 x 2 Bolt	-
10	Tooth (weld on)	174010

XB ANGLE FRAME DISC



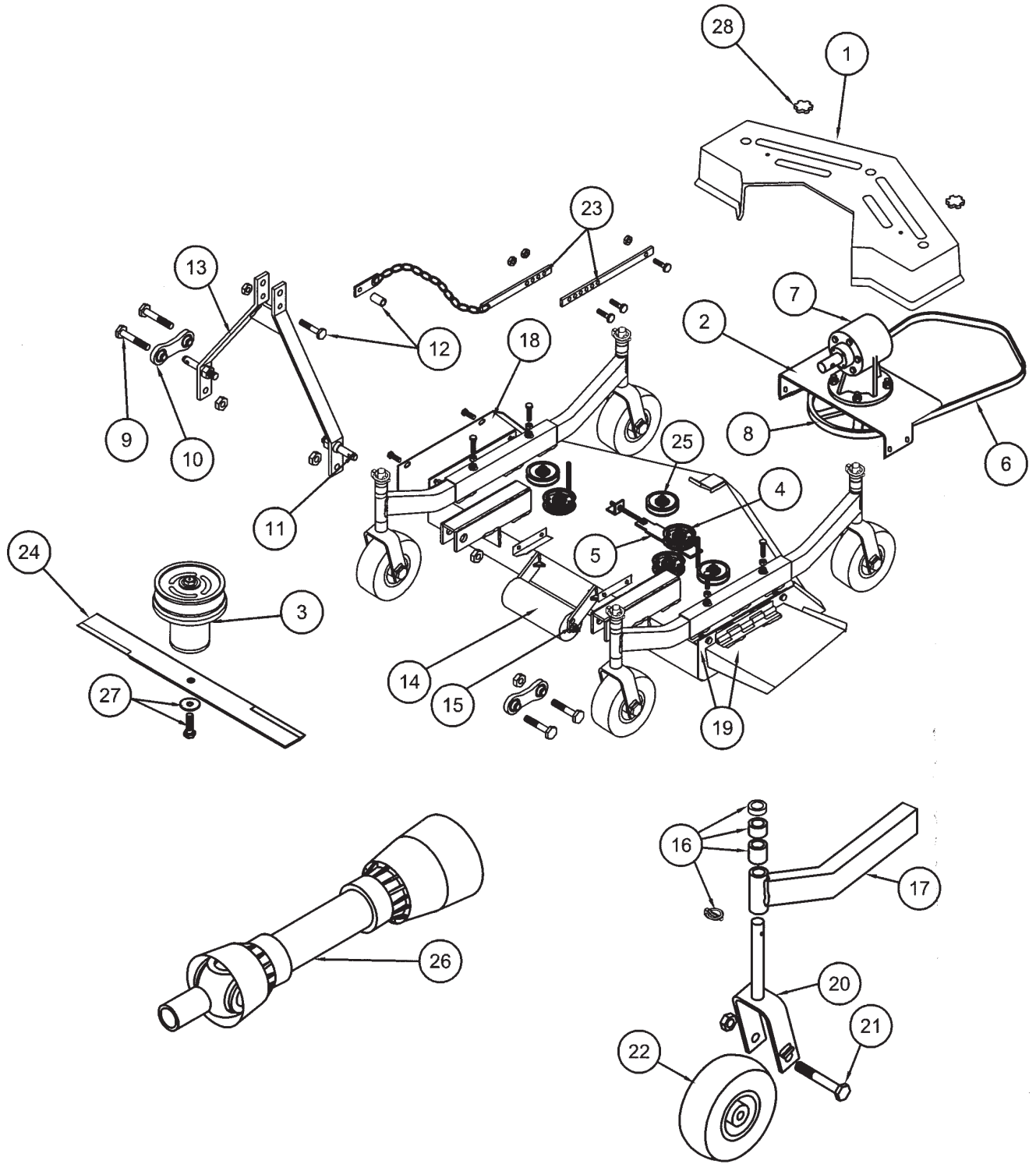
Ref. No.	Part Name	Part Number
1	(Cat 1) Lift Pin (2/pk)	500001
2	Lift Arms	311070
3	Lift Arm Spacer Kit	501090
4L	Lift Arm Brace LH	311071
4R	Lift Arm Brace RH	311072
5	Bearing Caps & Spool	504110
6	Spacer	129500
7	Lock Nuts - 1" (Pkg -4)	504280
8	Axle Washer	322005
9	Disc Blade 14" - Notched	189214
10	Bearing Stand	311068
11	Axle	401035
12	1/2 x 1-1/2 Bolts	-
13	1/2 x 5-1/2 Bearing Cap Bolt Set (2/pk)	504070

XB KUTTER



Ref. No.	Part Name	Part Number 4'
1	CAT 1. Lift Pins (Pkg. of 2)	500001
2	Lift Arm	311100
3	Lift Arm Brace	311099
4	Swivel Link Kit (inc. bolt)	501027
5	Right Side Panel Kit (inc. bolts)	501003
6	Lift Arm Attachment Kit (inc. bolts)	501005
7	Gear Box	184000
8	Belt Guard Kit (inc. belt and strip)	501006
9	Belt Guard	311101
10	Left Side Panel Kit (inc. bolts)	501004
11	Tail Wheel Arm Spacer Kit	501007
12	Tail Wheel Arm	403700
13	Wheel Kit (inc. axle bolt)	502030
14	Tail Wheel Arm Fork	403026
15	Blade Bolt Set (Pkg. of 2)	501001
16	Mower Blade Set(Pkg. of 2)	501118
17	Stump Jumper	403031
18	29" PTO Shaft	147029

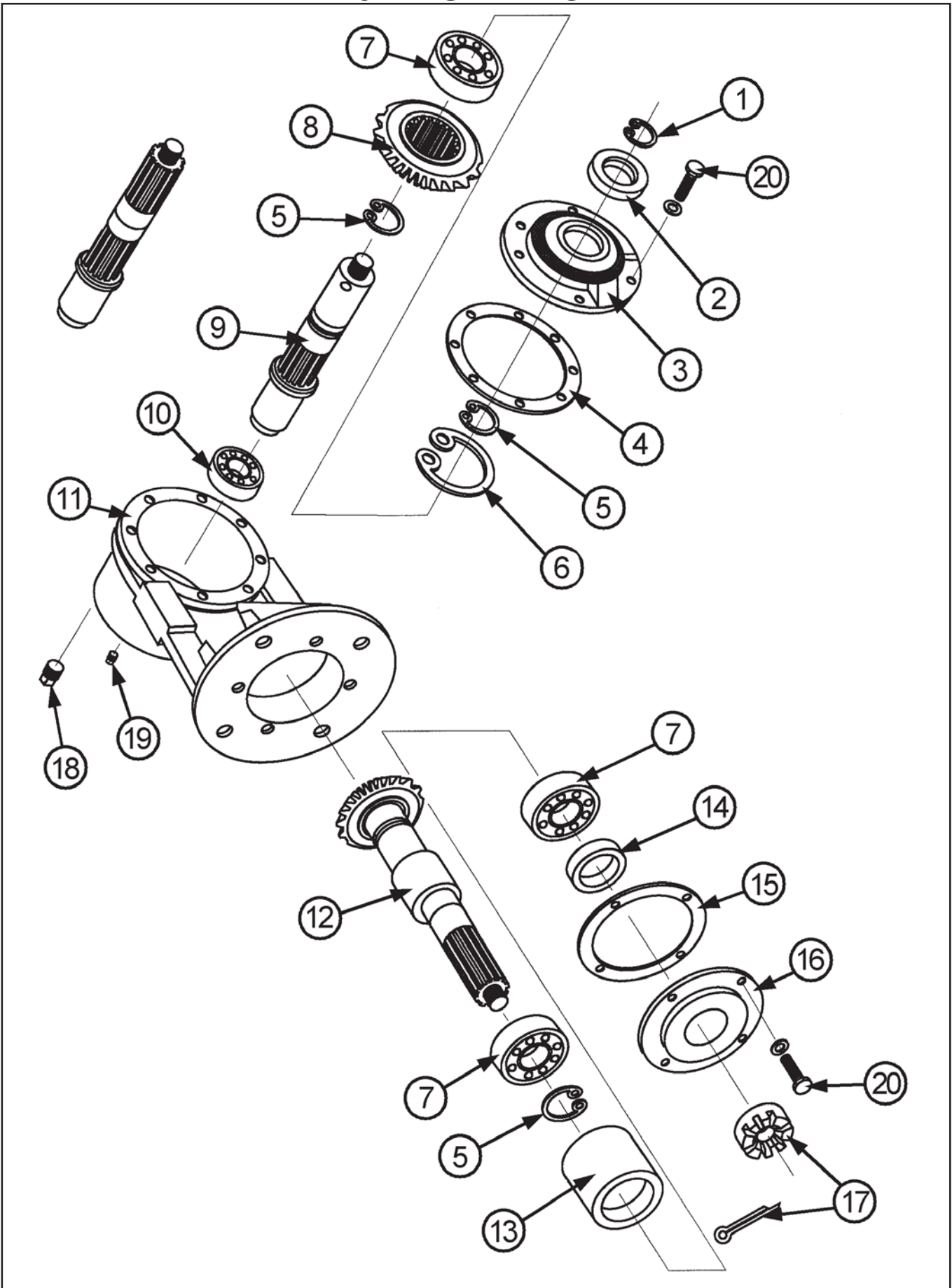
XB FINISHING MOWER



Ref. No.	Part Name	Part Number
1	Top Cover	124684
2	Gear Box Plate	403029
3	Spindle Unit - Single	502303
4	Idler Pulley - Single	164090
5	Belt Adjustment Assembly	403682
6	V-Belt *	167108 ¹
7	Gear Box	184000
8	Main Pulley-Single	165114
9	Bolt 3/4" x 4" /w Nut	502011
10	Swivel Link Set	502010
11	(Cat 1) Lift Pin (2/pk)	500001
12	Lift Arm Spacer /w Bolt & Nut	502012
13	Lift Arm Assembly	403662
14	Center Roller /w Axle	502110
15	Roller Axle	403670
16	Height Adjuster Set	502120
17	Tail Wheel Arm	403700
18	Side Panel-RH	403665
19	Side Panel-LH w/ Chute	403681
20	Wheel Fork	403023
21	Axle Bolt 3/4" x 5"/w Nut	502125
22	Tire & Rim /w Axle & Nut	502015
23	Chain Assembly	502690
24	Blade Set /w Bolts	502316
25	Spindle Pulley - Single	502313
26	22" PTO Shaft	147022
27	LH Blade Bolt Set /w Washer	502310
28	Plastic Knob	502287

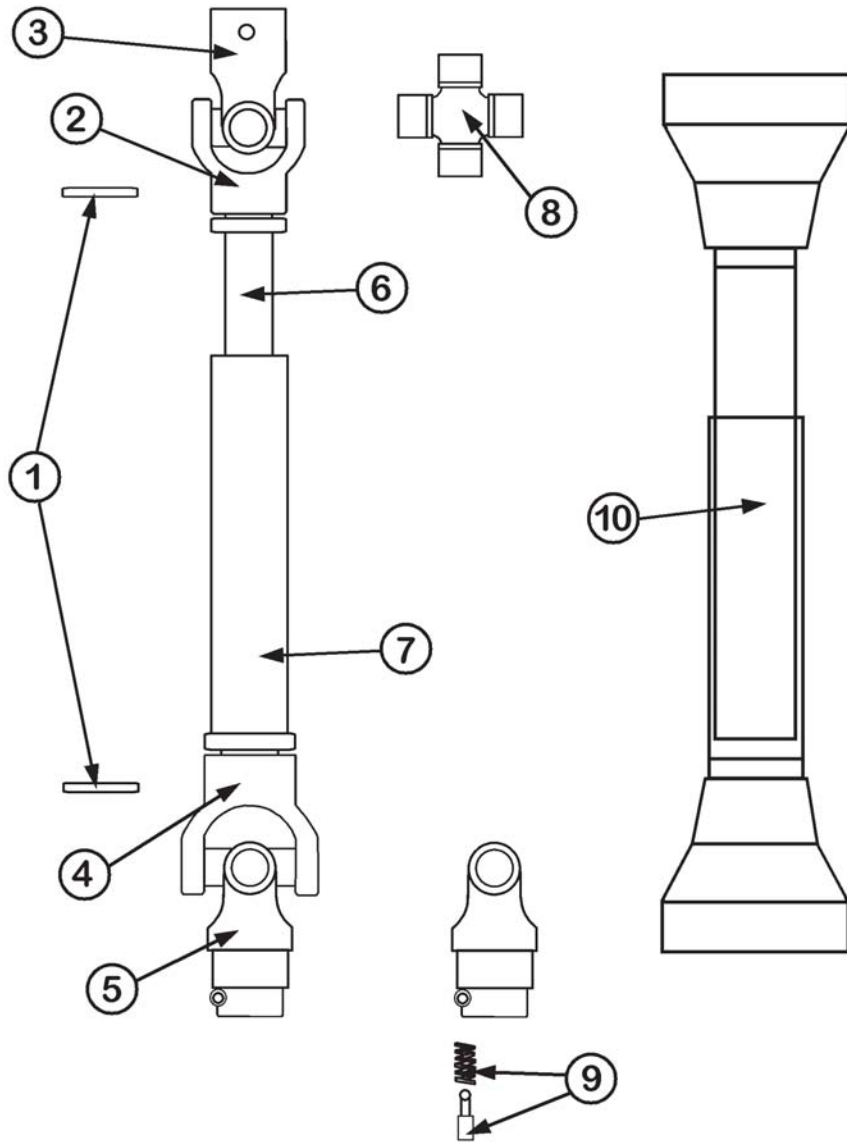
*1B-108

40 HP GEARBOX



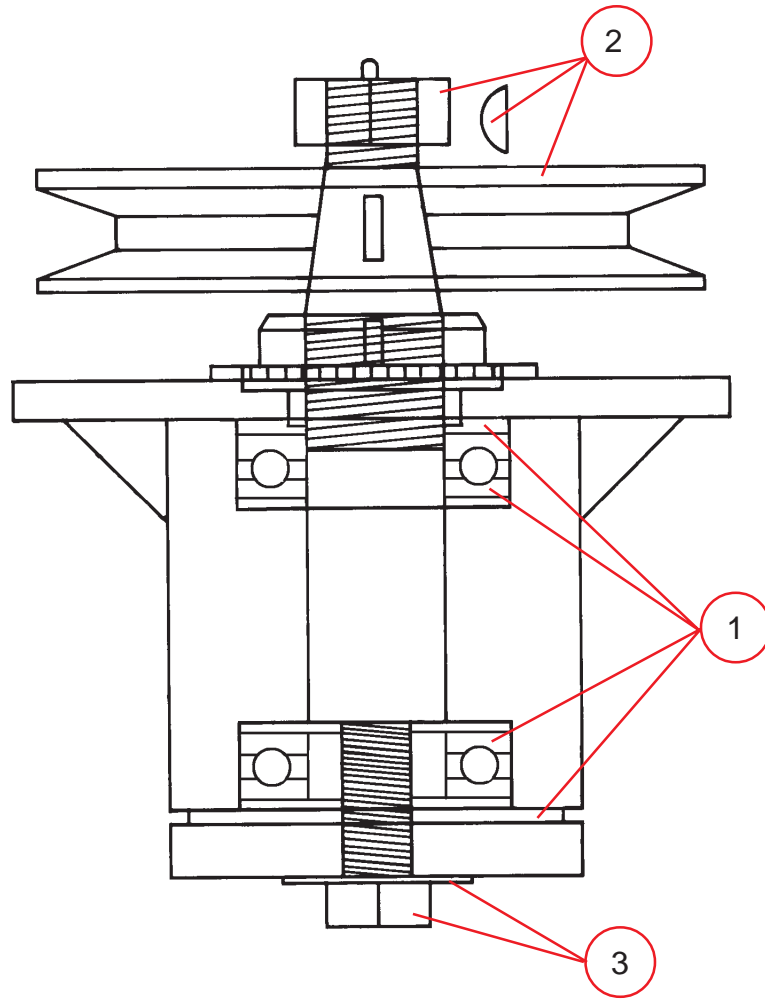
Ref. No.	Part Name	Gearbox 184000
1	Snap Ring	106138
2	Input Seal (NAK35X54X10)	156010
3	Front Cap	129015
4	Front Cap Gasket	124130
5	Snap Ring	131031
6	Snap Ring	131030
7	Bearing (Hoover 208)	155005
8	Input Gear	185007
9	Input Shaft	186010
10	Bearing (NSK6207)	155010
11	Housing	129010
12	Output Shaft	185005
13	Spacer	131045
14	Output Seal (NAK40X54X7)	156005
15	Bottom Cap Gasket	124131
16	Bottom Cap	129005
17	1" Castle Nut/w Washer & Cotter Pin	501110
18	1/2" Pipe Plug	131035
19	1/8" Pipe Plug	131040
20	3/8" x 1" Bolt & Lockwasher	-

SHEAR PIN PTO SHAFT



Ref. No.	Part Name	147029	147022
1	Roll Pin Kit	500131	500131
2	Male Tube End Yoke	151045	151045
3	Implement End Yoke	151040	151040
4	Female Tube End Yoke	151050	151050
5	Tractor End Yoke	151035	151035
6	Inner Tube 14 Series	151090	151090
7	Outer Tube 14 Series	151091	151091
8	Cross Kit #4	170015	170015
9	Quick Disconnect Pin	170110	170110
10	Safety Shield BYPY	124310	124310
10	Safety Shield EUROCARDAN	124311	124311

BLADE SPINDLE UNIT



Ref. No.	Part Name	502303
1	Ball Bearings(6205)(2/pk), Snaprings(4/pk) Seals(2/pk) (TCM 25X52X7TC)*	555009
2	Spindle Pulley /w Nut & Key	502313
3	Blade Bolt Set (3) /w Washer	502310

*Old Style Seal (TCM 32X52X7SC)



1. Limited Warranty.

King Kutter, Inc. ("King Kutter"), P.O. Box 480, Winfield, Alabama 35594, warrants to the original retail purchaser that the product that is the subject of this sale is free from defects in material and workmanship at the time of sale.

Under this warranty, King Kutter will repair the defective product free of charge to the Purchaser, with either new or used and reconditioned replacement parts. All warranty service will be performed at service centers designated by King Kutter. If King Kutter is unable to repair the product to conform to the warranty after a reasonable number of attempts, King Kutter will provide, at its option, one of the following: (a) replacement for the product or, (b) a full refund of the purchase price. Repair, replacement, or refund are the Purchaser's EXCLUSIVE remedies against King Kutter under this limited warranty. King Kutter will not be liable for any special, incidental or consequential damages based upon breach or warranty, breach of contract, negligence, strict tort liability, or any other legal theory. Such damages include, but are not limited to, loss of profits, loss of savings or revenue, loss of use of the product or any associated equipment, cost of capital, cost of any substitute equipment, facilities or services, down time, the claims of third parties including customers, and injury to property. These limitations also apply, to the extent allowed by law, to personal injury.

The purchaser must notify the Seller in writing of any defect in material or workmanship within one (1) year following the date of purchase. If the equipment is used for commercial purposes, the Purchaser must notify the Seller in writing of any defect in material or workmanship within ninety (90) days following the date of purchase. In no event will King Kutter be liable under this warranty unless written notice is received by the Seller within one (1) year from the date of original retail sale.

2. Warranty of Title.

King Kutter warrants that it transfers a good title to the product free of any encumbrances, and free of the rightful claim of any third party for infringement of patent or copyright.

3. What is Not Covered by This Limited Warranty.

King Kutter will not be responsible for damage to or failure in the product which results from accident, misuse, abuse, neglect, installation of attachments not provided by King Kutter, modifications to the product, or damage caused by use of the product for purposes other than those for which it was designed.

4. No Other Warranties.

Unless modified in writing and signed by both parties, this agreement is understood to be the complete and exclusive agreement and warranty between King Kutter and Purchaser, superseding all prior agreements, oral and written, and all other communication between King Kutter and Purchaser related to the subject matter of this agreement.

THIS LIMITED WARRANTY IS IN LIEU OF ALL OTHER WARRANTIES, EXPRESS OR IMPLIED, INCLUDING, BUT NOT LIMITED TO, THE IMPLIED WARRANTY OF MERCHANTABILITY AND THE IMPLIED WARRANTY OF FITNESS FOR A PARTICULAR PURPOSE. No employee of King Kutter nor anyone else is authorized to make any warranty or representation in addition to or different from those made in this agreement.

5. Allocation of Risk.

This agreement allocates the risk of product failure between King Kutter and the Purchaser. This Allocation is recognized by both parties as reflected in the price of the goods. The Purchaser acknowledges that he or she has read this agreement, understands it, and is bound by its terms.

