



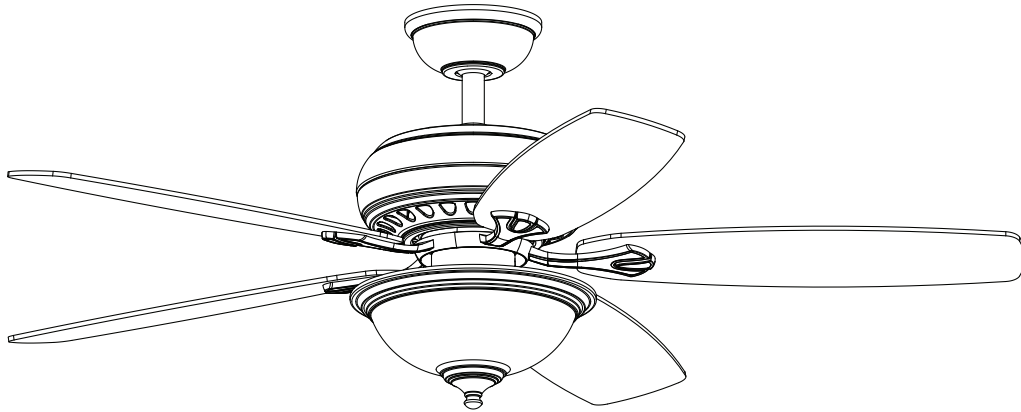
Item # 813-677, 813-545, 813-875

Model # 52371, 52372, 52379

UL Model # 52-RMG

USE AND CARE GUIDE

SOUTHWIND 52-INCH CEILING FAN



Questions, problems, missing parts? Before returning to the store call
Hampton Bay Customer Service
8 a.m. - 6 p.m., EST, Monday-Friday

1-877-527-0313

HAMPTONBAY.COM

THANK YOU

We appreciate the trust and confidence you have placed in Hampton Bay through the purchase of this ceiling fan. We strive to continually create quality products designed to enhance your home. Visit us online to see our full line of products available for your home improvement needs.

Thank you for choosing Hampton Bay!

Table of Contents

Table of Contents	2	Assembly	7
Safety Information	2	Operation	12
Warranty	3	Care and Cleaning	13
Pre-Installation	3	Troubleshooting	14
Installation	6		

Safety Information

1. To reduce the risk of electric shock, ensure the electricity has been turned off at the circuit breaker or fuse box before you begin.
2. All wiring must be in accordance with the National Electrical Code ANSI/NFPA 70-1999 and local electrical codes. Electrical installation should be performed by a qualified licensed electrician.
3. The outlet box and support structure must be securely mounted and capable of reliably supporting a minimum of 35 lbs. (15.9 kg). Use only UL-listed outlet boxes marked "For Fan Support."
4. The fan must be mounted with a minimum of 7 ft (2 m) clearance from the trailing edge of the blades to the floor.
5. Do not operate the reversing switch while the fan blades are in motion. You must turn the fan off and stop the blades before you reverse the blade direction.
6. Do not place objects in the path of the blades.
7. To avoid personal injury or damage to the fan and other items, use caution when working around or cleaning the fan.
8. Electrical diagrams are for reference only. Light kits that are not packed with the fan must be UL listed and marked suitable for use with the model fan you are installing. Switches must be UL General Use Switches. Refer to the instructions packaged with the light kits and switches for proper assembly.
9. After making electrical connections, spliced conductors should be turned upward and pushed carefully up into outlet box. The wires should be spread apart with the grounded conductor and the equipment-grounding conductor on one side of the outlet box.
10. All setscrews must be checked and retightened where necessary before installation.



WARNING: To reduce the risk of personal injury, do not bend the blade brackets (also referred to as flanges) during assembly or after installation. Do not insert objects in the path of the blades.



WARNING: Remove the rubber motor stops on the bottom of the fan before installing the blades or testing the motor.



WARNING: To reduce the risk of fire or electric shock, do not use this fan with any solid-state speed control device.



WARNING: To avoid possible electrical shock, turn the electricity off at the main fuse box before wiring. If you feel you do not have enough electrical wiring knowledge or experience, contact a licensed electrician.



WARNING: Electrical diagrams are for reference only. Optional use of any light kit shall be UL-listed and marked suitable for use with this fan.



WARNING: To reduce the risk of fire or electric shock, this fan should only be used with fan speed control part no. FAN28R-240W, manufactured by Chia Wei Electric Co.,LTD.



CAUTION: To reduce the risk of personal injury, use only the screws provided with the outlet box.



CAUTION: Changes or modifications not expressly approved by the party responsible for compliance could void the user's authority to operate the equipment.

Warranty

The supplier warrants the fan motor to be free from defects in workmanship and material present at time of shipment from the factory for a period of lifetime after the date of purchase by the original purchaser. The supplier also warrants that all other fan parts, excluding any glass or acrylic blades, to be free from defects in workmanship and material at the time of shipment from the factory for a period of one year after the date of purchase by the original purchaser. We agree to correct such defects without charge or at our option replace with a comparable or superior model if the product is returned. To obtain warranty service, you must present a copy of the receipt as proof of purchase. All costs of removing and reinstalling the product are your responsibility. Damage to any part such as by accident or misuse or improper installation or by adding any accessories, is not covered by this warranty. Because of varying climatic conditions this warranty does not cover any changes in brass nish, including rusting, pitting, corroding, tarnishing, or peeling. Brass nishes of this type give their longest useful life when protected from varying weather conditions. A certain amount of "wobble" is normal and should not be considered a defect. Servicing performed by unauthorized persons shall render the warranty invalid. There is no other express warranty. Hampton Bay hereby disclaims any and all warranties, including but not limited to those of merchantability and fitness for a particular purpose to the extent permitted by law. The duration of any implied warranty which cannot be disclaimed is limited to the time period as specified in the express warranty. Some states do not allow a limitation on how long an implied warranty lasts, so the above limitation may not apply to you. The retailer shall not be liable for incidental, consequential, or special damages arising out of or in connection with product use or performance except as may otherwise be accorded by law. Some states do not allow the exclusion of incidental or consequential damages, so the above exclusion or limitation may not apply to you. This warranty gives specific legal rights, and you may also have other rights which vary from state to state. This warranty supersedes all prior warranties. Shipping costs for any return of product as part of a claim on the warranty must be paid by the customer.

Contact the Customer Service Team at 1-877-527-0313 or visit www.hamptonbay.com

Pre-Installation

SPECIFICATIONS

Size	Speed	Volts	Amps	Watts	RPM	CFM	Net Weight	Gross Weight	Cube Feet
52"	Low	120	0.29	11.1	60	1745	18.9 lbs. (8.6 kg)	21.4 lbs. (9.7 kg)	1.68'
	Medium		0.41	26.8	102	3002			
	High		0.52	59.7	162	4961			



NOTE: These are approximate measures. They do not include the Amps and Wattage used by the light kit.

TOOLS REQUIRED



Phillips screwdriver



Flat blade screwdriver



Adjustable wrench



Electrical tape



Wire cutter



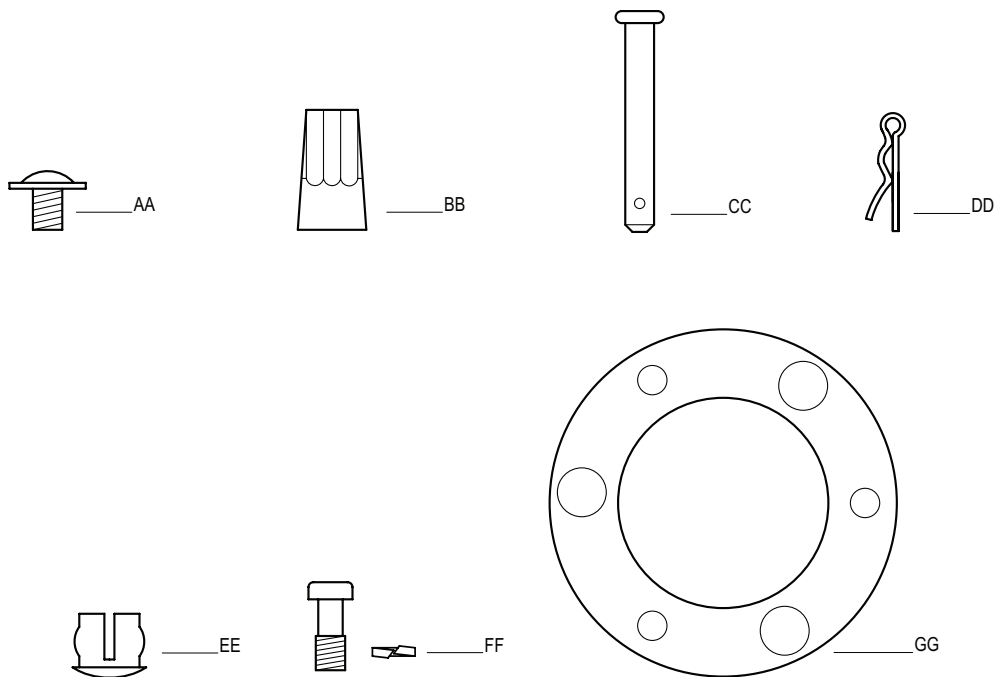
Step ladder

Pre-Installation (continued)

HARDWARE INCLUDED



NOTE: Hardware not shown to actual size.

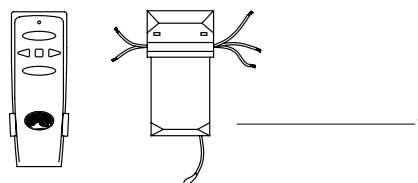
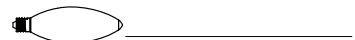
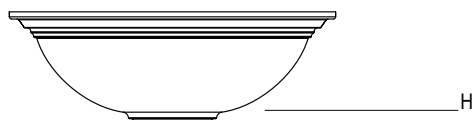
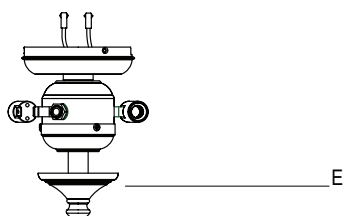
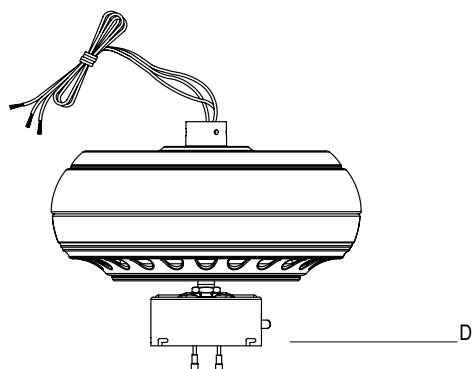


Part	Description	Quantity
AA	Blade attachment hardware	16
BB	Plastic wire connector	3
CC	Hanger pin	1
DD	Locking pin	1

Part	Description	Quantity
EE	Extra plastic plug (to be used for fan without light kit)	1
FF	Extra blade bracket hardware (screw and lockwasher)	1
GG	Close-to-ceiling mount hardware (rubber gasket)	1

Pre-Installation (continued)

PACKAGE CONTENTS



Part	Description	Quantity
A	Slide-on mounting bracket (inside canopy)	1
B	Ball/downrod assembly	1
C	Canopy with canopy ring attached	1
D	Fan-motor assembly	1
E	Light kit fitter assembly	1

Part	Description	Quantity
F	Blade	5
G	Blade bracket (flange), screws pre-installed	5
H	Glass bowl	1
I	Light bulbs, 60-Watt maximum	2
J	Hand unit/receiver (battery included)	1



IMPORTANT: This product and/or components are governed by one or more of the following U.S. Patents: 5,947,436; 5,988,580; 6,010,110; 6,046,416; 6,210,117 and other patents pending.

Installation

MOUNTING OPTIONS

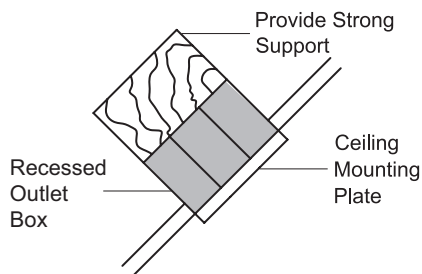
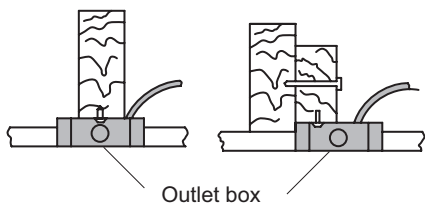
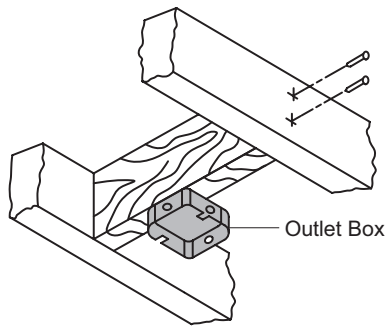


WARNING: To reduce the risk of fire, electric shock, or personal injury, mount the fan to an outlet box marked "acceptable for fan support of 35 lbs. (15.9kg) or less", and use the screws provided with the outlet box. An outlet box commonly used for the support of lighting fixtures may not be acceptable for fan support and may need to be replaced. If in doubt, consult a qualified electrician.

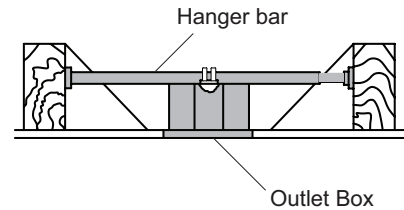
If your ceiling fan does not have an existing UL-listed mounting box, then install one using the following instructions:

- Disconnect the power by removing the fuses or turning off the circuit breakers.
- Secure the outlet box directly to the building structure. Use the appropriate fasteners and materials. The outlet box and its bracing must be able to fully support the weight of the moving fan (at least 35 lbs.). Do not use a plastic outlet box.

The illustrations below show three different ways to mount the outlet box.



NOTE: You may need a longer downrod to maintain proper blade clearance when installing on a steep, sloped ceiling. The maximum angle allowable is 30° away from horizontal.



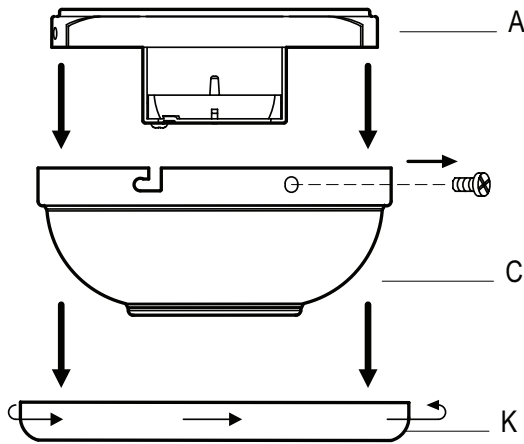
If the canopy touches the downrod, then remove the decorative canopy bottom cover and turn the canopy 180° before attaching the canopy to the mounting plate.

To hang your fan where there is an existing fixture but no ceiling joist, you may need an installation hanger bar as shown above (available at any Home Depot store).

Assembly - Standard Ceiling Mount

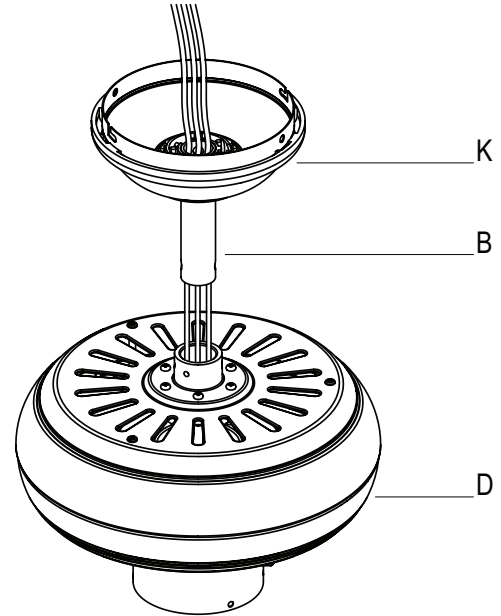
1 Preparation for mounting

- Remove the canopy ring (K) from the canopy (C) by turning the ring to the right until it unlocks.
- Remove the mounting plate (A) from the canopy by loosening the four screws on the top of the canopy (C).
- Remove the two non-slotted screws and loosen the slotted screws. This will enable you to remove the mounting bracket (A).



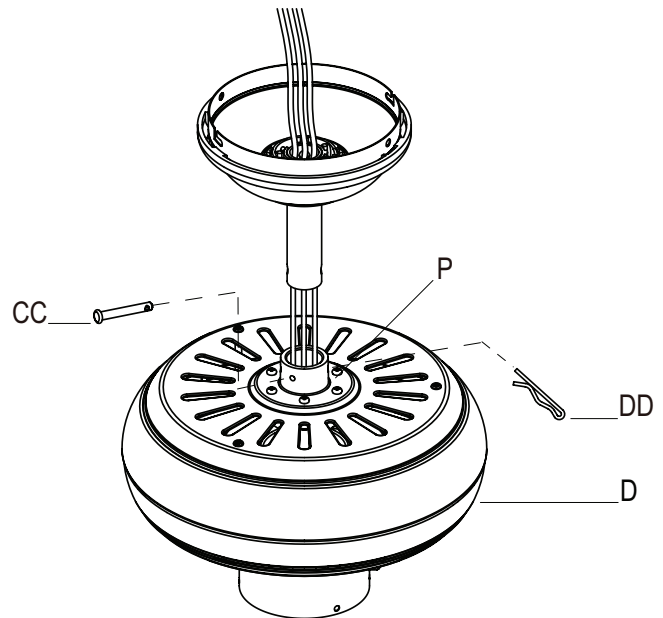
2 Routing the wires

- Route the wires exiting the top of the fan motor (D) and through the canopy ring (K).
- Make sure the slot openings are on top and route the wires through the canopy (C) and then through the ball/downrod assembly (B).



3 Assembling the fan

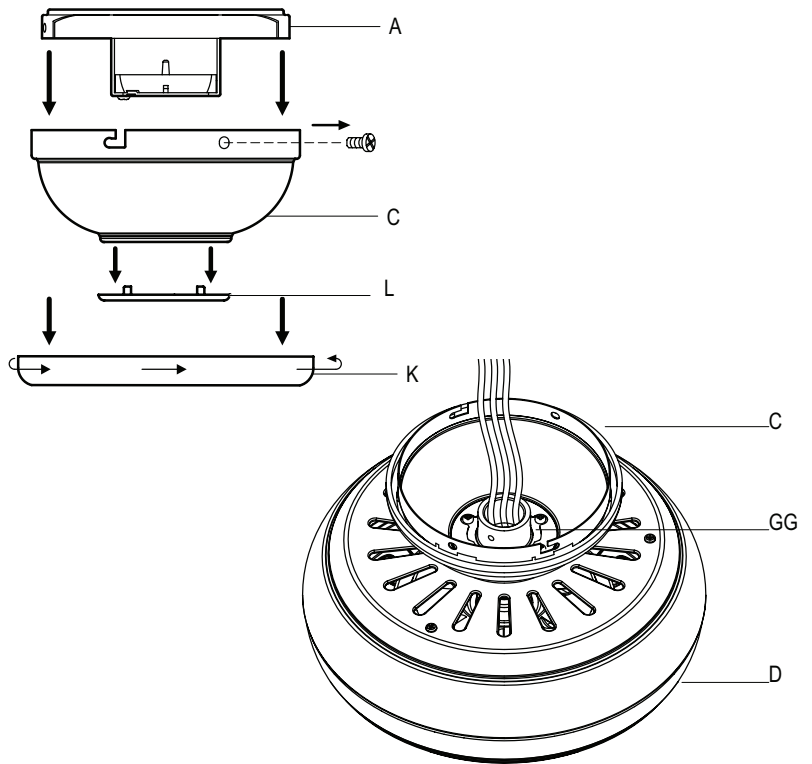
- Loosen, but do not remove, the setscrew on the collar (P) on top of the motor housing.
- Align the holes at the bottom of the downrod (B) with the holes in the collar (P) on top of the motor housing.
- Carefully insert the hanger pin (CC) through the holes in the collar (P) and downrod (B). Be careful not to jam the hanger pin (CC) against the wiring inside the downrod (B).
- Insert the locking pin (DD) through the hole near the end of the hanger pin (CC) until it snaps into its locked position.
- Re-tighten the setscrews on the collar (P) on top of the motor housing.



WARNING: Failure to properly install the locking pin could result in the fan becoming loose and possibly falling.

Assembly - Close-To-Ceiling Mounting

- ❑ Remove canopy ring (K) from the canopy (C) by turning the ring to the right until it unlocks.
- ❑ Remove the mounting bracket (A) from the canopy (C) by loosening the four screws on the top of the canopy (C). Remove the two non-slotted screws and loosen the slotted screws.
- ❑ Remove the decorative canopy bottom cover (L) from the canopy (C) by depressing the three studs.
- ❑ Remove three of the six screws and lock washers (every other one) securing the motor collar to the top of the fan motor housing.
- ❑ Place the rubber gasket (GG) over the remaining three screws, route the wires exiting the top of the fan motor through the canopy ring (make sure the slot opening are on top), then proceed to place the ceiling canopy (C) over the collar at the top of the motor.
- ❑ Align the mounting holes with the holes in the motor and fasten, using the three screws and lock-washers removed previously. Tighten the mounting screws securely.



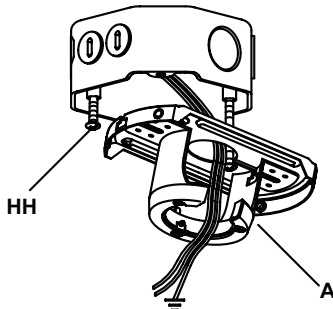
Assembly - Hanging the Fan

4 Attaching the fan to the electrical box



WARNING: To reduce the risk of fire, electric shock, or other personal injury, mount the fan to an outlet box or supporting system marked acceptable for fan support and use the mounting screws provided with the outlet box.

- ❑ Pass the 120-Volt supply wires through the center hole in the mounting bracket (A).
- ❑ Install the ceiling mounting plate on the outlet box by sliding the mounting bracket (A) over the two screws (HH) provided with the outlet box. If necessary, use leveling washers (not included) between the mounting bracket (A) and the outlet box. Note that the flat side of the mounting bracket (A) is toward the outlet box.
- ❑ Securely tighten the two mounting screws (HH).

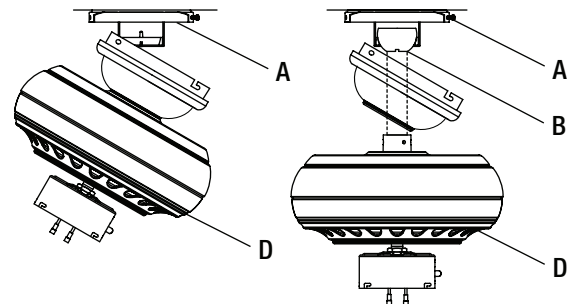


5 Hanging the fan

- ❑ Carefully lift the fan motor assembly (D) up to the mounting bracket (A).
- ❑ Seat the hanger ball portion of the ball/downrod assembly (B) in the mounting bracket (A) socket. Ensure that the tab on the mounting bracket (A) socket is properly seated in the groove in the hanger ball. If using close-to-ceiling mounting, hang the fan on the hook provided by utilizing one of the holes at the outer rim of the ceiling canopy.



WARNING: The hook as shown is only to balance fan while attaching wiring. Failure to hang as shown may result in hook breaking, causing the fan to fall. Hook must pass from inside to outside of canopy.



Assembly - Hanging the Fan (continued)

6 Setting the code



NOTE: This remote is equipped with 16 code combination. To prevent possible interference from or to other remote units such as garage door openers, car alarm or security system, simply change the combination code but be sure that the code on both the hand held transmitter and receiver in the fan are matched.



NOTE: The battery will weaken with age and should be replaced before leaking takes place as this will damage the hand unit. Dispose of used battery properly and keep the battery out of the reach of children.

- Setting the code on the transmitter
 - a. Remove the battery cover. Press firmly below arrow and slide battery cover off.
 - b. Slide code switches to your choice of up or down position. (factory setting is all up).
- Setting the code on the receiver
 - a. Slide code switches to the same position as set on your transmitter.
 - b. Install the 9 volt battery (included)
 - c. Replace battery cover on the transmitter.

Controller Model: FAN28R-240W

7 Installing the receiver for use with remote control option



WARNING: To reduce the risk of fire or electric shock, remember to disconnect power. The electrical wiring must meet all local and national electrical code requirements. The electrical source and fan must be 110/120 volt, 60Hz. Do not use this product in conjunction with any variable wall control. Incorrect wire connection can damage this receiver.

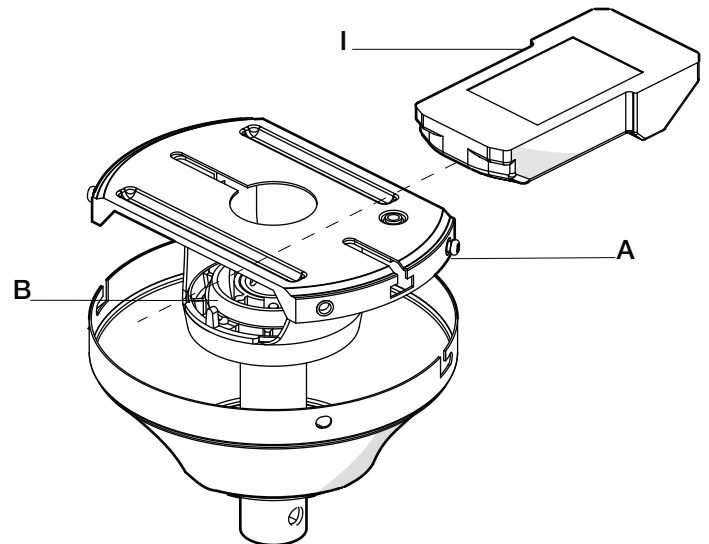


CAUTION: If other fan wires are a different color, have this unit installed by a licensed electrician.



CAUTION: Do not install in a damp location or immerse in water (For indoor use only). Do not pull on or cut leads shorter. Do not drop or bump the unit.

- Position the supply wires to the left side of the slide-on mounting bracket (A); position the fan wires to the right side. Partially insert the remote control receiver (I) (flat side up) until one end rests on the ball/downrod assembly (B).
- Wire Connection:
 - Fan Green Wire.....Bare Supply Wire
 - Red Receiver Wire (AC IN L).....Black Supply Wire
 - White Receiver Wire (AC IN N).....White Supply Wire
 - White Receiver Wire (TO MOTOR N).....White Fan Wire
 - Black Receiver Wire (TO MOTOR L).....Black Fan Wire
 - Blue Receiver Wire (FOR LIGHT).....Blue Light Wire
- Lay the brown antenna wire on top of the receiver, and slide the receiver into the mounting bracket.



Assembly - Hanging the Fan (continued)

8 Making the electrical connection



IMPORTANT: Use the wire connecting nuts supplied with your fan. Secure the connectors with electrical tape and ensure there are no loose strands or connections.

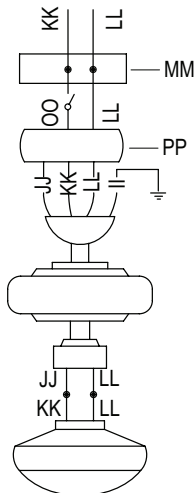
- ❑ Connect the two green fan wires (II) to the household wire (II).
- ❑ If you are using the optional light kit, connect the blue fan wire (JJ) and the black fan wire (KK) to the black household wire (KK).
- ❑ Connect the fan motor white wire (LL) to the receiver (PP) white wire (LL) using a wire nut.
- ❑ Connect the fan motor black wire (KK) to the receiver (PP) black wire (KK) using a wire nut.
- ❑ Connect the fan motor blue wire (JJ) to the receiver (PP) blue wire (JJ) using a wire nut.
- ❑ Connect the receiver (PP) red wire (OO) to the supply black (hot) wire (KK) using a wire nut.
- ❑ Connect the receiver (PP) white wire (LL) to the supply white wire (neutral) (LL) wire using a wire nut.
- ❑ Spread the wires apart so that the green (II) and white (LL) wires are on the side of the outlet box (MM) and the black wire (KK) is on the other side.
- ❑ Turn the wire connecting nuts upward and push the wiring into the outlet box (MM).



NOTE: The frequencies on your receiver and transmitter have been preset at the factory. Before installing the receiver, make sure the dip switches on the receiver and transmitter are set to the same frequency. The dip switches on the transmitter are located inside the battery compartment.



WARNING: Each wire not supplied with this fan is designed to accept up to one 12-gauge house wire and two wires from the fan. If you have larger than 12-gauge house wiring or more than one house wire to connect to the fan wiring, consult an electrician for the proper size wire nuts to use.

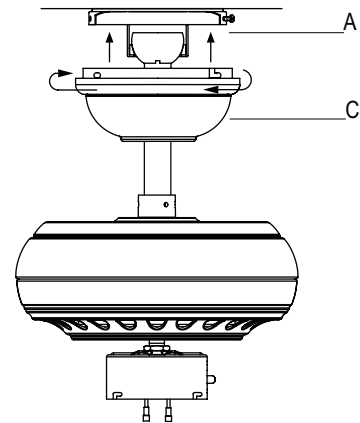


9 Mounting the fan



WARNING: When using the standard ball/downrod mounting, the tab in the ring at the bottom of the mounting bracket must rest in the groove of the hanger ball. Failure to properly seat the tab in the groove could cause damage to the wiring.

- ❑ Align the locking slots of the ceiling canopy (C) with the two screws in the mounting bracket (A). Push up to engage the slots and turn clockwise to lock in place.
- ❑ Firmly tighten the two mounting screws.
- ❑ Install the remaining two mounting screws into the holes in the canopy (C) and tighten firmly.
- ❑ Install the decorative canopy ring by aligning the ring's slots with the screws in the canopy (C). Rotate the ring counter-clockwise to lock in place.



Close-to-Ceiling Mounting

- ❑ Carefully unhook the fan from the mounting bracket (A) and align the locking slots of the ceiling canopy (C) with the two screws in the mounting bracket (A). Push up to engage the slots and turn clockwise to lock in place. Immediately tighten the two mounting screws firmly.
- ❑ Install the remaining two mounting screws into the holes in the canopy (C) and tighten firmly.
- ❑ Install the decorative canopy ring by aligning the ring's slots with the screws in the canopy (C). Rotate the ring counter-clockwise to lock in place.
- ❑ You may now proceed to attaching the fan blades.

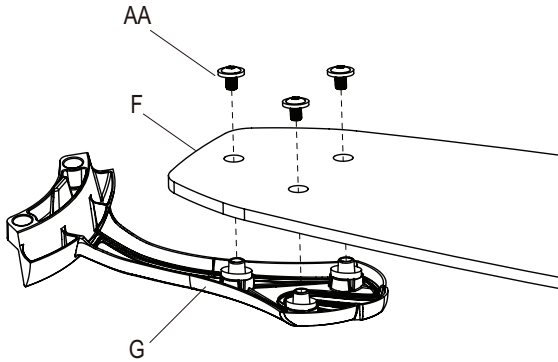


WARNING: Locking slots of ceiling canopy are provided only as an aid to mounting. Do not leave fan assembly undattended until all four canopy screws are engaged and firmly tightened.

Assembly - Attaching the Fan Blades

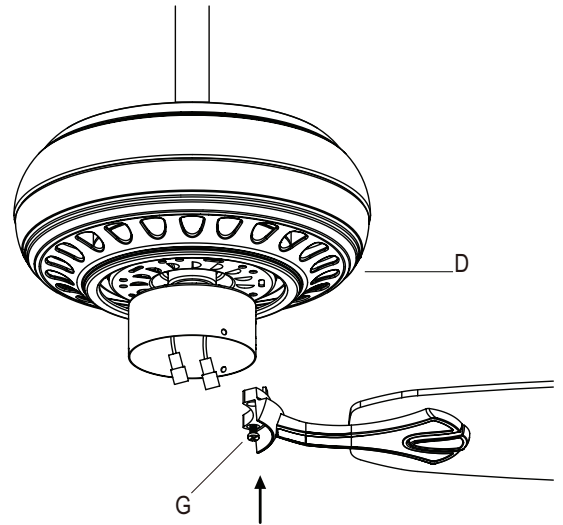
10 Attaching the blades to the blade brackets

- Attach a blade (F) to a blade bracket (G) by inserting screws (AA) into the holes in the blade and through the blade bracket. Note that the rubber washers are preattached to the blade bracket.
- Tighten each screw securely.
- Repeat these steps for each blade (F) and blade bracket (G).



11 Fastening the blade assemblies to the motor

- Fasten the blade assembly to the motor (D) by inserting the alignment post into the slot on the bottom of the motor and tightening the blade bracket (G) screws. The blade bracket screws are pre-installed into the blade bracket (G).
- Repeat this step for the remaining blade assemblies.



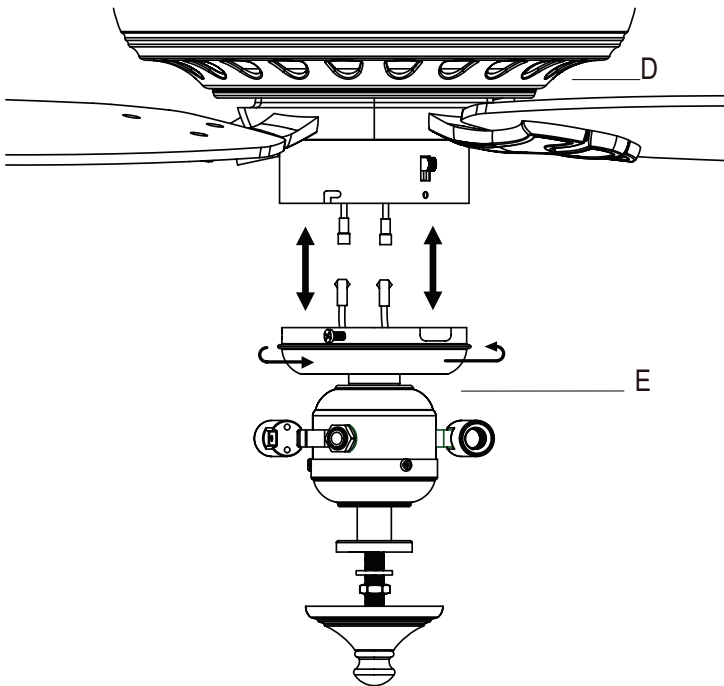
Assembly - Attaching the Fan Blades

12 Attaching the light kit fitter assembly

- Loosen the three screws on the switch cup cover of the light kit fitter assembly (E).
- Connect the wires from the light kit fitter assembly (E) to the wires from the switch cup of the fan motor assembly (D) by connecting the molded adaptor plugs together (blue to black, white to white). Carefully tuck all wires and splices in the switch cup.
- Align the three screws on the switch cup cover of the light kit fitter assembly with the three key slots in the switch cup. Make sure the notch in the switch cup cover of the light kit fitter assembly clears the reversing switch in the switch cup. Position the light kit fitter assembly on the switch cup and turn it clockwise until it locks. Tighten the three screws that were loosened in first step to secure the light kit fitter assembly (E).



CAUTION: To reduce the risk of electric shock, disconnect the electrical supply circuit to the fan before installing the light fixture.



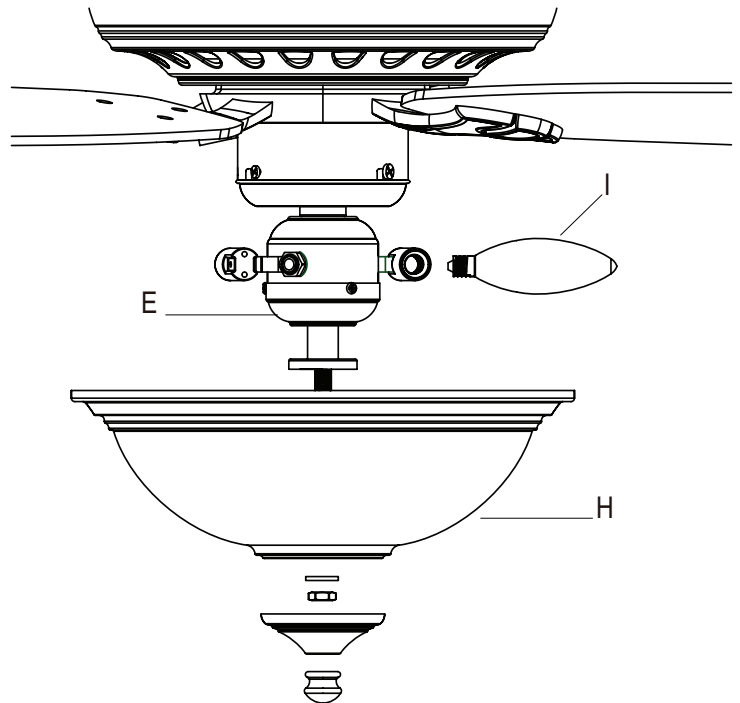
NOTE: Notice the location of the fan's slide switch. This is the switch used to change the fan's directional rotation. For more information on the operation of this switch, see Operating Your Fan and Remote Control on page 12.

13 Installing the bulbs and attaching the glass bowl

- Remove the rubber washer, hex nut, bottom cover and finial from the threaded nipple of the light kit fitter assembly (E).
- With power off, install the two incandescent bulbs (I) by screwing into the light bulb sockets.
- Position the glass bowl (H) over the threaded nipple.
- Re-install the rubber washer, hex nut and bottom cover to the threaded nipple to secure the glass shade properly.
- Re-install and tighten the finial.



CAUTION: Do not over tighten the hex nut, overtightening the hex nut may cause the glass to break.

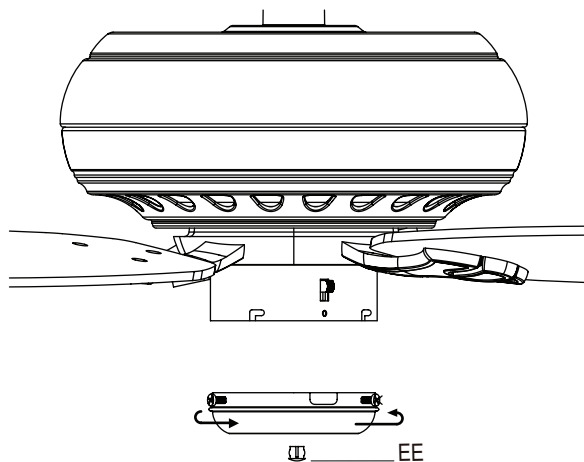


WARNING: Over lamping the fan will result in the fan lights shutting down until the proper wattage of bulbs are installed. Reset the lights by turning off, replace bulbs with the correct wattage bulbs, turn on.

Assembly - Assembling the Fan Without the Light Kit

14 Assembling the fan without the light kit

- In order to use the fan without the light kit, remove the switch cup cover from the top of the light kit fitter assembly (E) by removing the center hex nut inside the switch cup cover, and then thread the switch cup cover off of the threaded nipple on the top of the light kit fitter assembly (E). Remove three screws.
- Press the plastic plug (EE) (provided) into the center hole of the switch cup cover.
- Align the three screw holes in the switch cup cover with the three key slots in the switch cup. Make sure the notch in the switch cup cover clears the reversing switch in the switch cup.
- Position the switch cup cover onto the switch cup and install the three screws that were removed in first step.
- Turn the switch cup cover clockwise until it locks and tighten the three screws.



Operating Your Fan and Remote Control

Remote Control - Your fan is equipped with a remote control to operate the speed and lights of your new ceiling fan. For more information on how to install the remote control, see the remote control instruction along with the remote control components.

Speed setting for warm or cool weather depends on factor such as the room size, ceiling height, number of fans and so on.

The fan shipped from the factory with the reversing switch positioned to circulate air downward. If airow is desired in the opposite direction, turn your fan off and wait for the blades to stop turning, then slide the reversing switch (located in switch cup) to opposite position, and turn fan on again. The fan blades will turn in the opposite direction and reverse airflow.

1. **Speed** - The remote features Low, Med, Hi and Off buttons to select the desired speed of operation and turn the fan On or Off.
2. **Light** - To control the light kit, the remote features a Light/Dimmer button.



NOTE: Wait for fan to stop before reversing the direction of blade rotation.

Warm weather - (Forward) A downward airflow creates a cooling effect. This allows you to set your air conditioner on a higher setting without affecting your comfort.

Cool weather - (Reverse) An upward air ow moves warm air off the ceiling. This allows you to set your heating unit on a lower setting without affecting your comfort.

Operating the fan

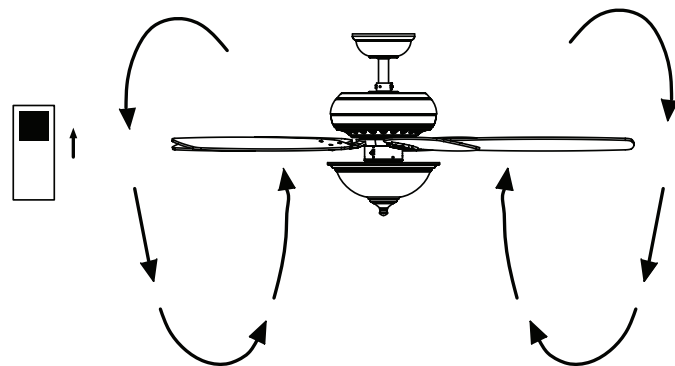
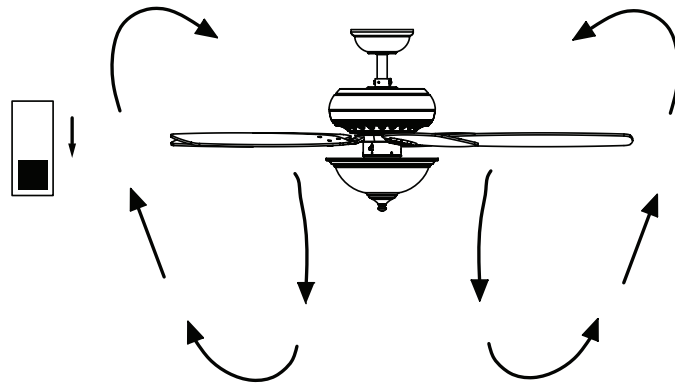
High button = High speed

Medium button = Medium speed

Low button = Low speed

Off button = Power off

Light/Dimmer button = Dims light with memory



Care and Cleaning



WARNING: Make sure the power is off before cleaning your fan.

- Because of the fan's natural movement, some connections may become loose. Check the support connections, brackets, and blade attachments twice a year. Make sure they are secure. It is not necessary to remove fan from ceiling.
- Clean your fan periodically to help maintain its new appearance over the years. Do not use water when cleaning, as this could damage the motor, or the wood, or possibly cause an electrical shock. Use only a soft brush or lint-free cloth to avoid scratching the finish. The plating is sealed with a lacquer to minimize discoloration or tarnishing.
- You can apply a light coat of furniture polish to the wood for additional protection and enhanced beauty. Cover small scratches with a light application of shoe polish.
- You do not need to oil your fan. The motor has permanently lubricated sealed ball bearings.

Troubleshooting

Problem	Solution
The fan will not start	<ul style="list-style-type: none"><input type="checkbox"/> Check the main and branch circuit fuses or breakers.<input type="checkbox"/> Check the line wire connections to the fan and switch wire connections in the switch housing.<input type="checkbox"/> Check battery in transmitter.<input type="checkbox"/> Ensure you are in the normal range of 10-20 feet.<input type="checkbox"/> Ensure the dip switches settings are in the same on the transmitter and receiver.<input type="checkbox"/> Remember to turn power off power supply before checking the dip switches settings.
The fan is noisy	<ul style="list-style-type: none"><input type="checkbox"/> Ensure all motor housing screws are snug.<input type="checkbox"/> Ensure the screws that attach the fan blade bracket to the motor hub are tight.<input type="checkbox"/> Ensure the wire nut connections are not rattling against each other or the interior wall of the switch housing.<input type="checkbox"/> Allow a 24-hour "breaking in" period. Most noises associated with a new fan disappear during this time.<input type="checkbox"/> If you are using the Ceiling Fan light kit, ensure the screws securing the glassware are tight. Check that the light bulbs are also secure.<input type="checkbox"/> Ensure the canopy is a short distance from the ceiling. It should not touch the ceiling.<input type="checkbox"/> Ensure your outlet box is secure and rubber isolator pads were used between the mounting plate and outlet box.
The fan wobbles	<ul style="list-style-type: none"><input type="checkbox"/> Check that all blade and blade arm screws are secure.<input type="checkbox"/> Most fan wobble problems are caused when blade levels are unequal. Check this level by selecting a point on the ceiling above the tip of one of the blades. Measure from a point on the center of each blade to the point on the ceiling. Measure this distance. Rotate the fan until the next blade is positioned for measurement. Repeat for each blade. Any measurement deviation should be within 1/8 in. Run the fan for ten minutes. If the fan continues to wobble please contact Customer Service and a balancing kit will be sent to you at no charge.

This equipment has been tested and found to comply with the limits for a Class B digital device, pursuant to Part 15 of the FCC Rules. These limits are designed to provide reasonable protection against harmful interference in a residential installation. This equipment generates, uses and can radiate radio frequency energy and, if not installed and used in accordance with the instructions, may cause harmful interference to radio communications. However, there is no guarantee that interference will not occur in a particular installation. If this equipment does cause harmful interference to radio or television reception, which can be determined by turning the equipment off and on, the user is encouraged to try to correct the interference by one or more of the following measures:

--Reorient or relocate the receiving antenna.

--Increase the separation between the equipment and receiver.

--Connect the equipment into an outlet on a circuit different from that to which the receiver is connected.

--Consult the dealer or an experienced radio/TV technician for help.

CAUTION:

Any changes or modifications not expressly approved by the grantee of this device could void the user's authority to operate the equipment.

This device complies with Part 15 of the FCC Rules. Operation is subject to the following two conditions: (1) This device may not cause harmful interference, and (2) this device must accept any interference received, including interference that may cause undesired operation.



Questions, problems, missing parts? Before returning to the store call

Hampton Bay Customer Service

8 a.m. - 6 p.m., EST, Monday-Friday

1-877-527-0313

HAMPTONBAY.COM

Retain this manual for future use.

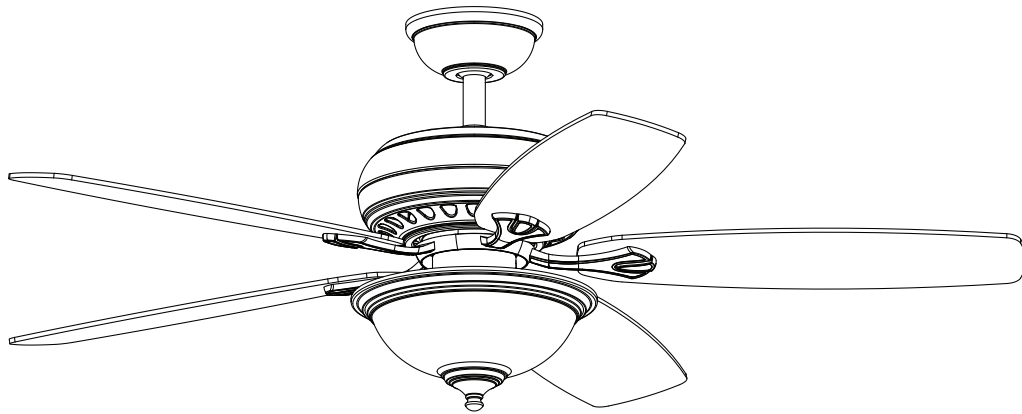
X000000000-A



Artículo Núm. 813-677, 813-545, 813-875
Modelo Núm. 52371, 52372, 52379
UL Modelo Núm. 52-RMG

GUÍA DE USO Y MANTENIMIENTO

VENTILADOR DE TECHO GLENDALE, DE 1,32 m



¿Preguntas, problemas o piezas faltantes? Antes de volver a la tienda, llama al Servicio al Cliente de Hampton Bay de lunes a viernes de 8 a.m. a 6 p.m., Hora Estándar del Este

1-877-527-0313

HAMPTONBAY.COM

GRACIAS POR TU COMPRA

Apreciamos la confianza que has depositado en Hampton Bay al comprar este ventilador de techo. Nos esforzamos para continuamente crear productos de calidad diseñados para tu hogar. Visítanos en Internet para ver nuestra línea completa de productos disponibles para las necesidades de mejoras de tu hogar. ¡Gracias por elegir Hampton Bay!

Índice

Índice	2	Ensamblaje.....	7
Información de Seguridad	2	Operación.....	12
Garantía	3	Cuidado y Mantenimiento.....	13
Preinstalación	3	Solución de problemas	14
Instalación.....	6		

Información de Seguridad

1. Para disminuir el riesgo de descarga eléctrica, asegúrate de que la electricidad ha sido apagada en el cortacircuitos o la caja de fusibles antes de comenzar la instalación.
2. Todo el cableado debe cumplir con el Código Nacional de Electricidad “ANSI/NFPA 70-1999” y con los códigos locales de electricidad. La instalación eléctrica debe ser hecha por un electricista certificado y calificado.
3. La caja eléctrica y estructura de soporte deben montarse de forma segura y tener capacidad para sostener de manera confiable un mínimo de 35 lb. (15.9 kg). Usa solamente cajas eléctricas aprobadas por UL marcadas como “aprobada como soporte de ventiladores de 35 lb. (15,9 kg) o menos”.
4. El ventilador debe ir montado con un mínimo de 7 pies (2 m) de separación entre el borde trasero de las aspas y el piso.
5. No operes el interruptor de reversa mientras las aspas del ventilador estén en movimiento. Debes apagar el ventilador y detener las aspas antes de revertir la dirección de las aspas.
6. No coloques objetos en la trayectoria de las aspas.
7. Para evitar lesiones físicas o daños al ventilador y otros artículos, ten cuidado al limpiar o trabajar cerca del ventilador.
8. Los diagramas eléctricos son sólo para referencia. Los kits de luces no empaquetados con el ventilador deben estar aprobados por UL y marcados como apropiados para ser usados con el modelo de ventilador a instalar. Los interruptores deberán estar clasificados por el UL como de Uso General. Consulta las instrucciones adjuntas a los juegos de luces e interruptores para obtener información sobre el montaje adecuado.
9. Después de concluir con las conexiones eléctricas, debes voltear los conductores empalmados hacia arriba y empujarlos con cuidado hacia dentro de la caja eléctrica. Los cables deben estar separados, con el cable a tierra y el conductor a tierra del equipo hacia uno de los lados de la caja eléctrica.
10. Todos los tornillos colocados se deben verificar y ajustar donde sea necesario antes de la instalación.



ADVERTENCIA: Para reducir el riesgo de lesiones personales, no dobles los soportes de las aspas (también llamados “rebordes”) durante o después de la instalación. No coloques objetos en la trayectoria de las aspas.



ADVERTENCIA: Retira los toques de goma del motor en la parte inferior del ventilador antes de instalar las aspas o probar el motor.



ADVERTENCIA: Para reducir el riesgo de incendio o descarga eléctrica, no utilices este ventilador con ningún dispositivo de control de velocidad de estado sólido.



ADVERTENCIA: Para evitar una posible descarga eléctrica, asegúrate de que la electricidad esté apagada en la caja de fusibles principal antes de instalar el cableado. Si crees que no tienes suficiente experiencia o conocimientos para instalar el cableado eléctrico, contrata a un electricista con licencia.



ADVERTENCIA: Los diagramas eléctricos son sólo para referencia. El uso opcional de cualquier kit de luces debe estar aprobado por UL y estar marcado como adecuado para ser usado con este ventilador.



ADVERTENCIA: Para disminuir el riesgo de incendio o descarga eléctrica este ventilador sólo debe ser usado con un control de velocidad con el Núm. de pieza FAN28R-240W, fabricado por Chia Wei Electric Co., Ltd.



PRECAUCIÓN: Para reducir el riesgo de lesiones físicas, usa sólo los tornillos incluidos con la caja eléctrica.



PRECAUCIÓN: Los cambios o modificaciones sin previa aprobación expresa de la parte responsable de su cumplimiento podrían anular el derecho del usuario a operar el equipo.

Garantía

El proveedor garantiza de por vida, a partir de la fecha en que el comprador original lo adquiere, que el motor del ventilador no presenta defectos de fabricación ni de material al momento en que es enviado desde la fábrica. El proveedor también garantiza por un período de un año, a partir de la fecha de compra por el comprador original, que las demás piezas del ventilador, sin incluir ninguna aspa de vidrio o acrílico, no presentarán ningún defecto de fabricación o de material en el momento de su salida de la fábrica. Acordamos reparar todos los defectos del tipo antes mencionado, sin cargo alguno, o a nuestra discreción, reemplazar el producto por un modelo de calidad comparable o superior si el producto es devuelto. Para obtener un servicio de garantía, debe presentar una copia del recibo como comprobante de compra. Todos los costos de retiro y reinstalación del producto son su responsabilidad. Los daños a cualquiera de las piezas como resultado de accidentes, instalación o uso incorrectos o debidos a la instalación de cualquier accesorio, no están cubiertos bajo esta garantía. Debido a que las condiciones climáticas pueden variar, esta garantía no cubre ningún cambio en el acabado en bronce, incluyendo óxido, perforación, corrosión, manchas o descascaramiento. Los acabados en bronce de este tipo tienen una vida útil más prolongada cuando se protegen de las condiciones climáticas cambiantes. Es normal cierta "oscilación" y no se considerará una falla. Cualquier servicio técnico conducido por personas no autorizadas anulará la garantía. No hay ninguna otra garantía expresa. Mediante la presente Hampton Bay se exime de cualquier garantía, incluyendo pero sin limitarse a aquellas de comercialización e idoneidad para un fin particular, de acuerdo a lo contemplado por la ley. La duración de cualquier garantía implícita que no se pueda eximir, está limitada al período de tiempo especificado en la garantía explícita. Algunos estados no permiten una limitación en la duración de la garantía, por consiguiente la limitación anterior puede no aplicarse a su caso. El minorista no será responsable por daños directos, indirectos o especiales que resulten o deriven del uso o rendimiento del producto excepto en casos en que lo estipule la ley. Algunos estados no permiten la exclusión o limitación de daños directos o indirectos, por lo que la limitación o exclusión anterior podría no aplicarse a usted. Esta garantía le otorga derechos legales específicos pero es posible que también tenga otros derechos que varían de un estado a otro. Esta garantía sustituye todas las garantías anteriores. Los costos de envío de cualquier devolución de productos hecha como parte de una reclamación de garantía deben ser pagados por el cliente.

Comunícate con el Equipo de Servicio al Cliente al 1-877-527-0313 o visita www.hamptonbay.com

Pre-Instalación

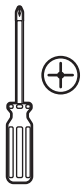
ESPECIFICACIONES

Tamaño	Velocidad	Voltios	Amperios	Vatios	RPM	PIES CÚB. X MIN.	Peso Neto	Peso Bruto	Pies Cúbicos
52"	Baja	120	0.29	11.1	60	1745	18.9 lbs. (8.6 kg)	21.4 lbs. (9.7 kg)	1.68'
	Media		0.41	26.8	102	3002			
	Alta		0.52	59.7	162	4961			



NOTA: Estas medidas son aproximadas. No incluyen ni el amperaje ni el vataje consumido por el kit de luces.

HERRAMIENTAS NECESARIAS



Destornillador Phillips



Destornillador para aspa plana



Llave ajustable



Cinta eléctrica



Cortador de cable



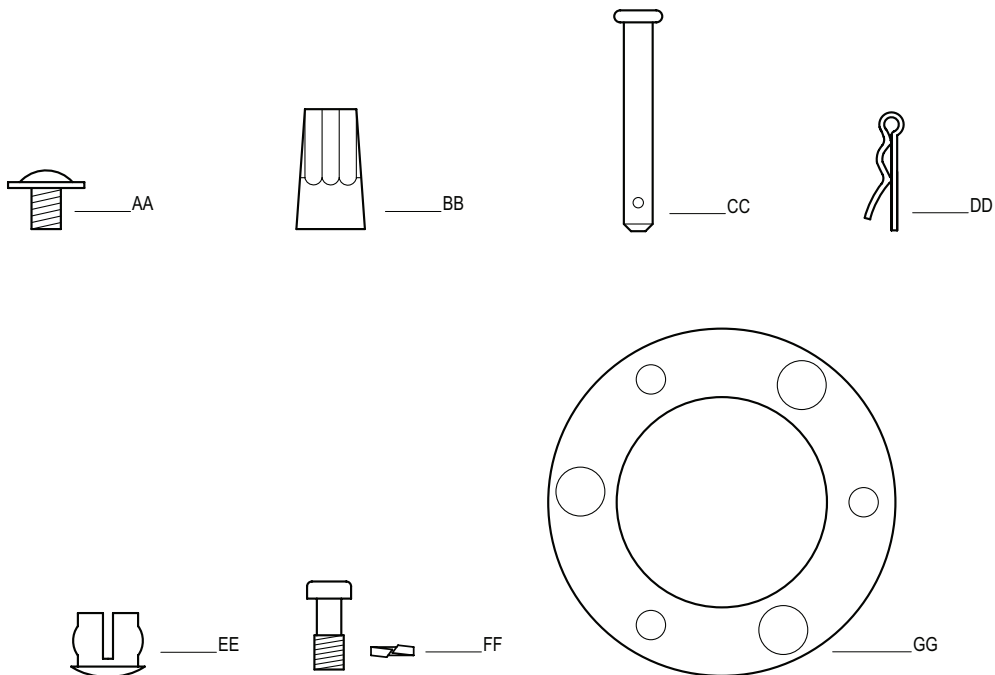
Escalera de tijera

Pre-Instalación (continuación)

HERRAJES INCLUIDOS



NOTA: No se muestra el tamaño real de los herrajes.

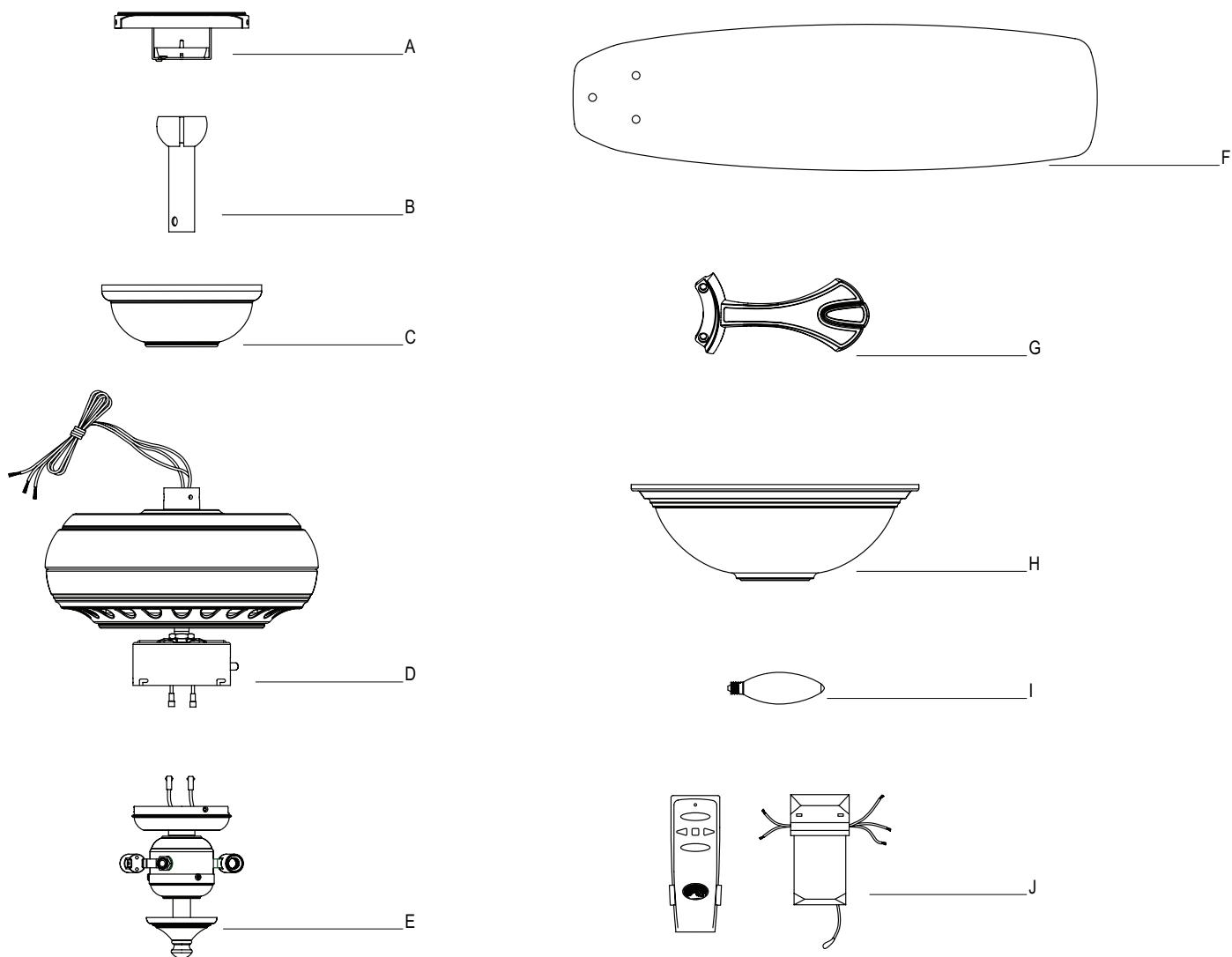


Pieza	Descripción	Cantidad
AA	Herrajes para montaje de las aspas	16
BB	Conector plástico para cable	3
CC	Pasador de soporte	1
DD	Pasador de cierre	1

Pieza	Descripción	Cantidad
EE	Enchufe adicional de plástico (para utilizar con el ventilador sin kit de luces)	1
FF	Herrajes adicionales para montaje de aspas (1 tornillo y arandela de seguridad)	1
GG	Herrajes para montaje "Cerca del Techo" (1 junta de goma)	1

Pre-Instalación (continuación)

CONTENIDO DEL PAQUETE



Pieza	Descripción	Cantidad
A	Soporte deslizante de montaje (dentro de la cubierta)	1
B	Ensamblado de tubo bajante/bola	1
C	Cubierta con aro incorporado colocado	1
D	Ensamblaje del motor del ventilador	1
E	Ensamblaje del soporte del kit de luces	1

Pieza	Descripción	Cantidad
F	Aspa	5
G	Soporte (reborde) de aspa, tornillos preinstalados	5
H	Tazón de vidrio	1
I	Bombillas, máximo de 60 Watts	2
J	Unidad de mano/receptor (incluye batería)	1



IMPORTANTE: Este producto y/o componentes están gobernados por una o más de las siguientes Patentes estadounidenses: 5,947,436; 5,988,580; 6,010,110; 6,046,416, 6,210,117 y otras patentes pendientes.

Instalación

OPCIONES DE MONTAJE

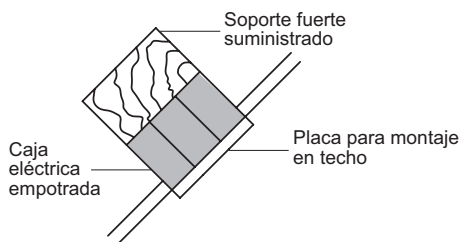
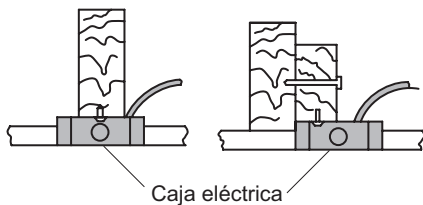
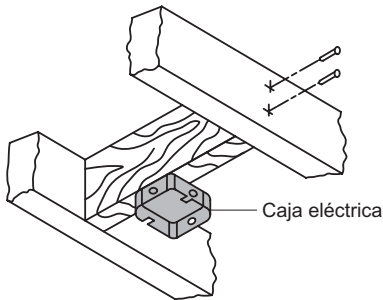


ADVERTENCIA: Para disminuir el riesgo de incendio, descarga eléctrica o lesiones personales, instala el ventilador en una caja eléctrica marcada como “aprobada como soporte de ventiladores de 35 lb. (15,9 kg) o menos”, y usa los tornillos de montaje que vienen con la misma. Las cajas eléctricas utilizadas comúnmente para el soporte de lámparas pueden no servir como soporte de ventilador, y tal vez deban reemplazarse. En caso de duda, consulta a un electricista calificado.

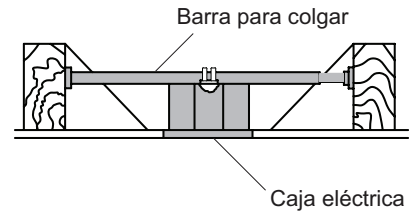
Si tu ventilador de techo no posee una caja de montaje aprobada por UL, instala una siguiendo las instrucciones a continuación:

- Desconecta la energía retirando los fusibles o apagando los cortacircuitos.
- Asegura la caja eléctrica directamente a la estructura del edificio. Usa sujetadores y materiales apropiados. La caja eléctrica y su soporte deben sostener completamente el peso del ventilador en movimiento (al menos 35 lb). No uses una caja eléctrica de plástico.

Las ilustraciones a continuación muestran tres formas diferentes de montar la caja eléctrica.



NOTA: Tal vez necesites un tubo bajante más largo para mantener la altura mínima adecuada de las aspas, al instalar el ventilador en un techo inclinado. El ángulo máximo permitido es de 30° de la posición horizontal.



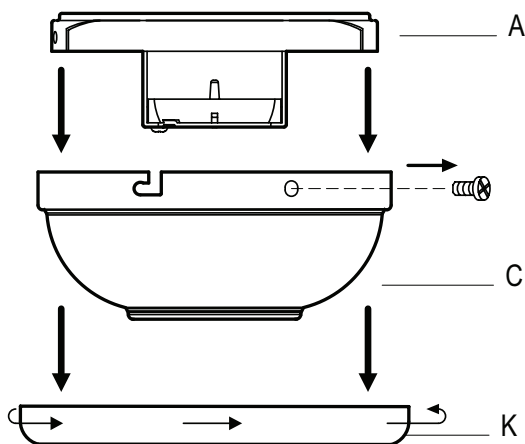
Si la cubierta toca el tubo bajante, retira la cubierta inferior decorativa y gira la cubierta 180° antes de fijar la cubierta a la placa de montaje.

Para colgar tu ventilador donde haya una lámpara pero ninguna viga de techo, tal vez necesites una barra colgante de instalación como se muestra arriba (disponible en cualquier tienda de The Home Depot).

Ensamblaje – Montaje Estándar en Techo

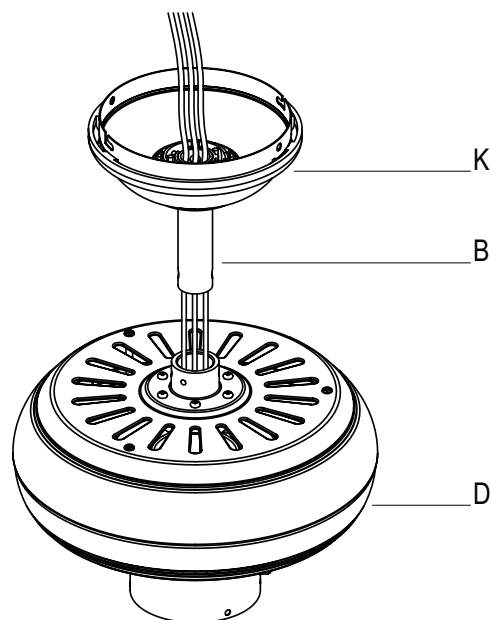
1 Preparativos para la instalación

- ❑ Retira el aro de la cubierta (K), girándolo hacia la derecha hasta soltarlo.
- ❑ Retira el soporte de montaje (A) de la cubierta aflojando los cuatro tornillos en la parte superior de la cubierta (C).
- ❑ Quita los dos tornillos sin ranura y afloja los tornillos ranurados. Esto te permitirá retirar el soporte de montaje (A).



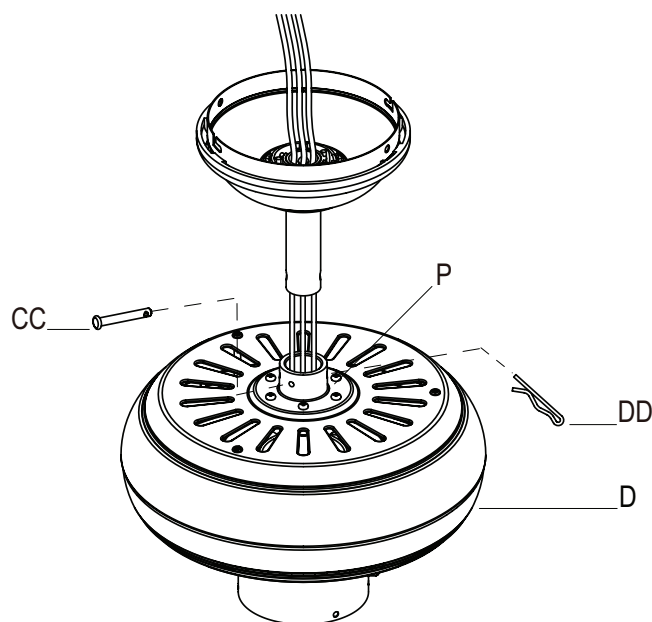
2 Disposición de los cables

- ❑ Inserta los cables que salen por la parte superior del motor del ventilador (D) a través del aro de la cubierta (K).
- ❑ Asegúrate de que las ranuras estén en la parte superior y pasa los cables a través de la cubierta (C) y luego a través del ensamblaje del tubo bajante/bola (B).



3 Ensamblar el ventilador

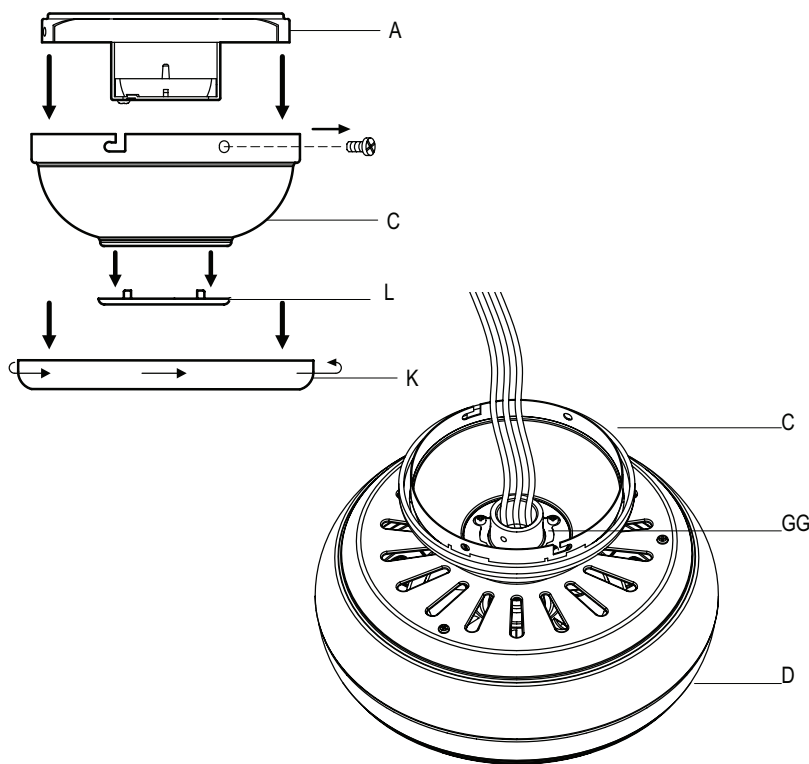
- ❑ Afloja, sin quitarlos, los tornillos en el collarín (P) ubicado en la parte superior de la carcasa del motor.
- ❑ Alinea los orificios en la parte inferior del tubo bajante (B) con los orificios en el collarín (P) de la parte superior de la carcasa de motor.
- ❑ Inserta con cuidado el pasador de soporte (CC) a través de los orificios del collarín (P) y del tubo bajante (B). Ten cuidado de no forzar el pasador de soporte (CC) contra el cableado dentro del tubo bajante (B).
- ❑ Inserta el pasador de cierre (DD) en el orificio cercano al extremo del pasador de soporte (CC) hasta que quede encajado en su posición.
- ❑ Vuelve a ajustar los tornillos del collarín (P) en la parte superior de la carcasa del motor.



ADVERTENCIA: Si no instalas correctamente el pasador de cierre es posible que el ventilador se afloje y caiga.

Ensamblaje – Montaje “Cerca del Techo”

- ❑ Retira el aro de la cubierta (K), girándolo hacia la derecha hasta soltarlo.
- ❑ Retira el soporte de montaje (A) de la cubierta (C) aflojando los cuatro tornillos en la parte superior de la cubierta (C). Quita los dos tornillos sin ranura y afloja los tornillos ranurados.
- ❑ Retira la cubierta inferior decorativa (L) de la cubierta (C) oprimiendo los tres pernos.
- ❑ Retira tres de los seis tornillos y arandelas de seguridad (dejando uno de por medio) que sujetan el collarín del motor a la parte superior de la carcasa del motor del ventilador.
- ❑ Coloca la junta de hule (GG) sobre los tres tornillos restantes, pasa los cables que salen de la parte superior del motor del ventilador a través del aro de la cubierta (asegúrate de que las aberturas de las ranuras miren hacia arriba) y luego coloca la cubierta de techo (C) sobre el collarín de la parte superior del motor.
- ❑ Alinea los orificios de montaje con los orificios del motor y asegura con los tres tornillos y arandelas de seguridad retirados anteriormente. Asegúrate de ajustar bien los tornillos de montaje.



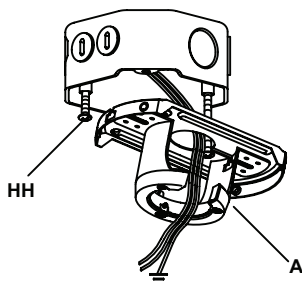
Ensamblado – Colgar el Ventilador

4 Instalar el ventilador en la caja eléctrica



ADVERTENCIA: Para reducir el riesgo de incendio, descarga eléctrica o lesiones físicas, sólo instala el ventilador en una caja eléctrica o sistema de soporte aprobados para ventiladores y usa los tornillos de montaje que vienen con la caja eléctrica.

- ❑ Pasa los cables de suministro de 120 voltios a través del orificio central en el soporte de montaje (A).
- ❑ Instala la placa de montaje de techo sobre la caja eléctrica deslizando el soporte de montaje (A) sobre los dos tornillos suministrados con la caja eléctrica (HH). Si es necesario, usa arandelas niveladoras (no incluidas) entre el soporte de montaje (A) y la caja eléctrica. Nota que el lado plano del soporte de montaje (A) está hacia la caja eléctrica.
- ❑ Ajusta firmemente los dos tornillos de montaje (HH).

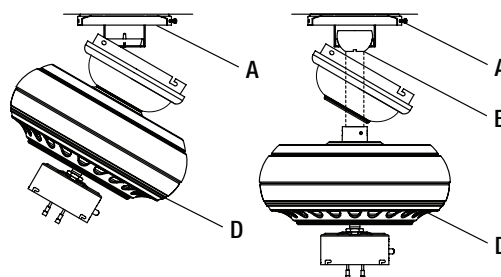


5 Colgar el ventilador

- ❑ Con cuidado alza el ensamblado del motor del ventilador (D) hasta el soporte de montaje (A).
- ❑ Coloca la bola de soporte del ensamblado de tubo bajante/bola (B) en el soporte de montaje. Asegúrate de que la pestaña sobre el soporte de montaje (A) encaje bien dentro de la ranura de la bola de soporte. Si usas el montaje cerca del techo, cuelga el ventilador del gancho suministrado usando uno de los orificios en el borde exterior de la cubierta de techo.



ADVERTENCIA: El gancho usado como se muestra es sólo para sostener el ventilador mientras se conectan los cables. Si no se cuelga como se muestra puede romperse el gancho, y el ventilador se caerá. El gancho debe pasar de adentro hacia fuera de la cubierta.



Ensamblado – Colgar el Ventilador

6 Cómo configurar el código



NOTA: Este control remoto está equipado con 16 combinaciones de códigos. Para evitar posibles interferencias desde o hacia otras unidades remotas como los abrepuertas de garajes, alarmas de autos o sistemas de seguridad, simplemente cambia el código de combinación pero asegúrate de que el código del transmisor de mano y del receptor del ventilador sean iguales.



NOTA: La batería se debilitará con el tiempo y deberá ser reemplazada antes de que se produzca alguna fuga ya que esto dañará la unidad de mano. Desecha la batería adecuadamente, y mantenla fuera del alcance de los niños.

- Configurar el código del transmisor
 - a. Retira la cubierta de la batería. Presiona con firmeza debajo de la flecha y retira la cubierta de la batería deslizándola.
 - b. Desliza los interruptores de código como desees, hacia arriba o hacia abajo, (la configuración de fábrica es totalmente hacia arriba).
- Configurar el código del receptor
 - a. Desliza los interruptores de código hacia la misma posición que elegiste para el transmisor.
 - b. Instala una batería de 9 voltios (incluida).
 - c. Vuelve a colocar la cubierta de la batería del transmisor.

Modelos de controlador: FAN28R-240W

7 Cómo instalar el receptor para usar con la opción de control remoto



WARNING: Para reducir el riesgo de incendio o de descarga eléctrica, recuerda desconectar la electricidad. El cableado eléctrico debe cumplir todos los requisitos del código nacional de electricidad y los códigos locales de electricidad. Las fuentes de energía y los ventiladores deben ser de 110/120 voltios y 60 Hz.

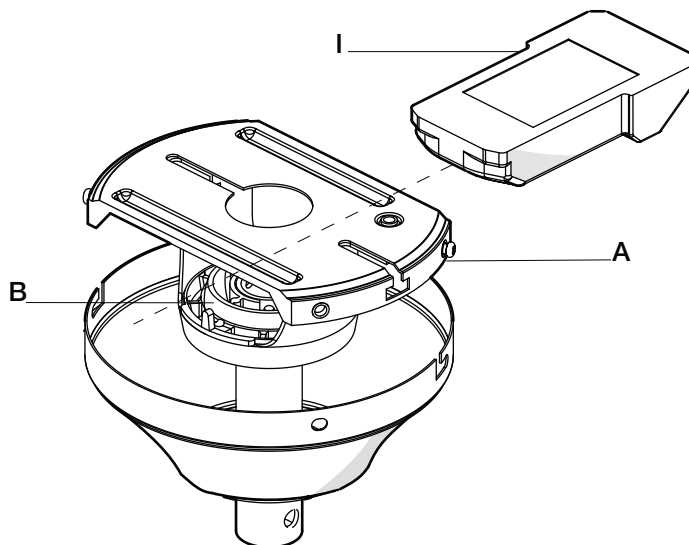


NOTA: Si otros cables del ventilador son de color diferente, un electricista certificado deberá instalar esta unidad.



PRECAUCIÓN: No instalar en lugares húmedos ni sumergir en agua (sólo para uso en interiores). No hales ni cortes los cables. No dejes caer ni golpees la unidad.

- Ubica los cables de suministro en el lado izquierdo del soporte de montaje deslizante (A), y coloca los cables del ventilador en el lado derecho. Inserta parcialmente el receptor del control remoto (I) (con el lado plano hacia arriba) hasta que un extremo descansa sobre el ensamblaje del tubo bajante/bola (B).
- Conexión de los cables:
Cable verde del ventilador: Cable de suministro desnudo
Cable rojo del receptor (CA EN L): Cable de suministro negro
Cable blanco del receptor (CA EN N): Cable de suministro blanco
Cable blanco del receptor (AL MOTOR N): Cable blanco del ventilador
Cable negro del receptor (AL MOTOR L): Cable negro del ventilador
Cable azul del receptor (PARA LA LUZ): Cable azul de la luz
- Coloca el cable de antena marrón sobre la parte superior del receptor y desliza este último dentro del soporte de montaje.



Ensamblaje – Colgar el Ventilador (continuación)

8 Hacer las conexiones eléctricas



IMPORTANTE: Usa las tuercas de conexión de cables que vienen con tu ventilador. Sujeta los conectores con cinta de electricista y asegúrate de que no hayan conexiones o cables sueltos.

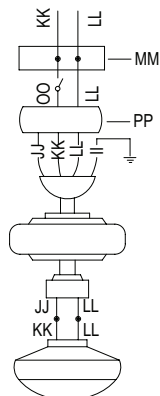
- ❑ Conecta los dos cables verdes del ventilador (II) al circuito eléctrico de la casa (II).
- ❑ Si vas a utilizar el kit de luces opcional, conecta el cable azul del ventilador (JJ) y el cable negro del ventilador (KK) al cable negro del circuito eléctrico de la casa (KK).
- ❑ Conecta el cable blanco del motor del ventilador (LL) al cable blanco (LL) del receptor (PP) con la tuerca para cables.
- ❑ Conecta el cable negro del motor del ventilador (KK) al cable negro (KK) del receptor (PP) con la tuerca para cables.
- ❑ Conecta el cable azul del motor del ventilador (JJ) al cable azul (JJ) del receptor (PP) con la tuerca para cables.
- ❑ Conecta el cable rojo (OO) del receptor (PP) al cable negro de suministro de energía (KK) (positivo) usando una tuerca para cable.
- ❑ Conecta el cable blanco (LL) del receptor (PP) al cable blanco de suministro (neutral) (LL) usando una tuerca para cable.
- ❑ Separa los cables de modo que el cable verde (II) y el cable blanco (LL) queden hacia un lado la caja eléctrica (MM), y el cable negro (KK) hacia el otro.
- ❑ Gira hacia arriba las tuercas de conexión de cable e introduce el cableado dentro de la caja eléctrica (MM).



NOTA: Las frecuencias del receptor y transmisor han sido preconfiguradas en la fábrica. Antes de instalar el receptor, asegúrate de que los interruptores del receptor y del transmisor estén configurados en la misma frecuencia. Los interruptores del transmisor están ubicados dentro del compartimento de la batería.



ADVERTENCIA: Cada tuerca para cable provista con este ventilador está diseñada para aceptar cables domésticos de máximo calibre 12 y dos cables del ventilador. Si tienes un cableado doméstico de calibre superior a 12 o más de un cable doméstico para conectar el cableado del ventilador, consulta a un electricista para el tamaño adecuado de tuercas de cable.

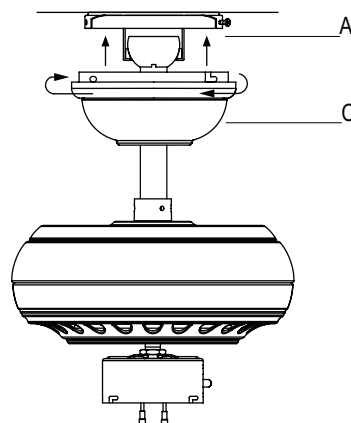


9 Montaje del ventilador



ADVERTENCIA: Cuando uses el montaje de tubo bajante y bola estándar, la pestaña en el aro en la parte inferior del soporte de montaje debe encajar en la ranura de la bola de soporte. Si la pestaña no se asienta correctamente en la ranura, se puede dañar el cableado.

- ❑ Alinea las ranuras de cierre de la cubierta de techo (C) con los dos tornillos del soporte de montaje (A). Alza para enganchar las ranuras y gira de izquierda a derecha para asegurar en su sitio.
- ❑ Ajusta firmemente los dos tornillos de montaje.
- ❑ Instala los dos tornillos de montaje restantes en los orificios de la cubierta (C) y aprieta firmemente.
- ❑ Instala el aro de cubierta decorativa alineando las ranuras del aro con los tornillos en la cubierta (C). Rota el aro en sentido contrario a las manecillas del reloj para fijarlo.



Montaje Cerca del Techo

- ❑ Con cuidado desengancha el ventilador del soporte de montaje (A) y alinea las ranuras de cierre de la cubierta del techo (C) con los dos tornillos en el soporte de montaje (A). Alza para enganchar las ranuras y gira de izquierda a derecha para asegurar en su sitio. Ajusta con firmeza los dos tornillos de montaje.
- ❑ Instala los dos tornillos de montaje restantes en los orificios de la cubierta (C) y aprieta firmemente.
- ❑ Instala el aro de cubierta decorativa alineando las ranuras del aro con los tornillos en la cubierta (C). Rota el aro en sentido contrario a las manecillas del reloj para fijarlo.
- ❑ Ahora puedes proceder a montar las aspas del ventilador.

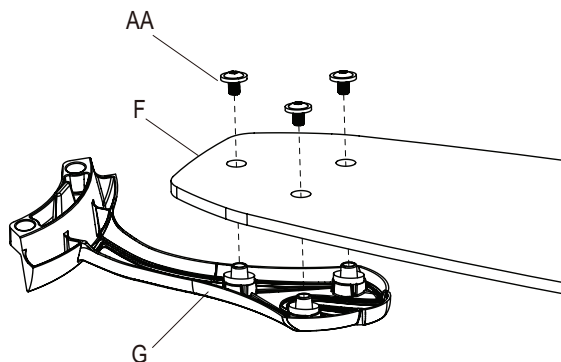


ADVERTENCIA: Las ranuras de cierre de la cubierta del techo sólo sirven de ayuda durante la instalación. No dejes sin supervisión el ensamblaje del ventilador hasta que los cuatro tornillos de la cubierta se fijen y ajusten firmemente.

Assembly - Attaching the Fan Blades

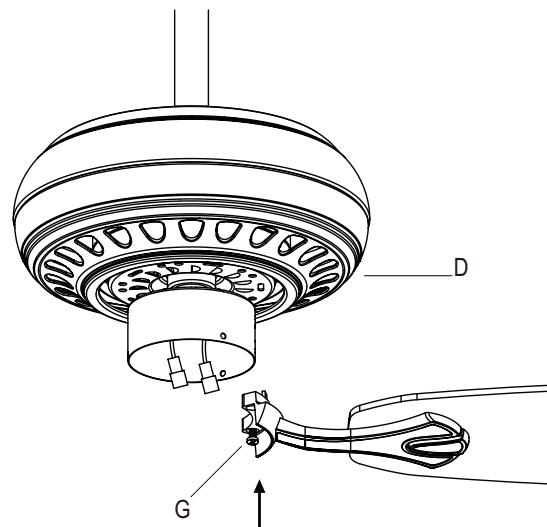
10 Conexión las aspas los soportes de las aspas

- Coloca un aспа (F) en el soporte del aспа (G) con los tornillos (AA) en los orificios en el aспа y por el soporte del aспа. Asegúrate de que las arandelas de goma están fijadas en el soporte del aспа.
- Aprieta todos los tornillos firmemente.
- Repite estos pasos para cada aспа (F) y soporte del aспа (G).



11 Ajustar los Ensamblajes de las aspas al motor

- Ajusta el ensamblaje del aспа al motor (D) insertando el poste de alineación dentro de la ranura de la parte inferior del motor y apretando los tornillos del soporte del aспа (G). Los tornillos del soporte de aспа vienen preinstalados en el soporte del aспа (G).
- Repite este paso para los ensamblajes de las aspas restantes.



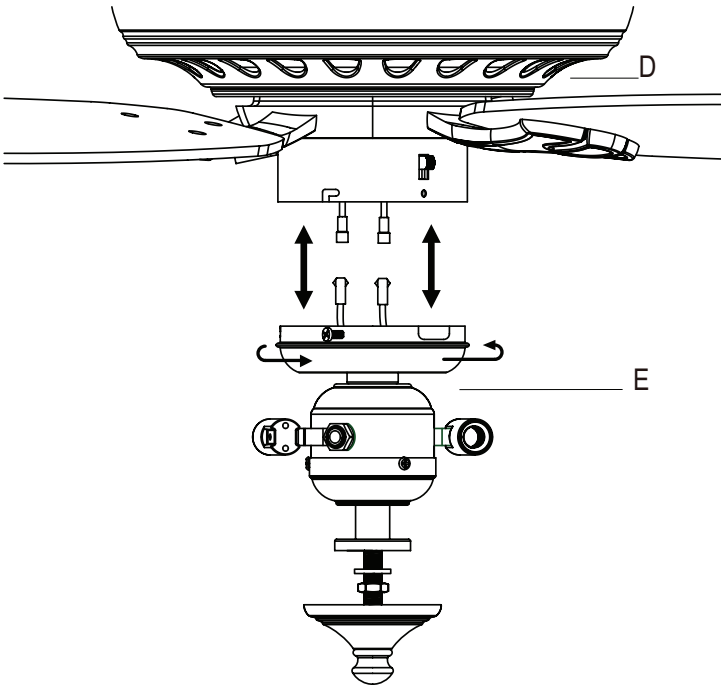
Ensamblaje – Montar los Accesorios

12 Ensamblaje del soporte del kit de luces

- Afloja los tres tornillos dentados en la cubierta de la caja del interruptor del soporte del kit de luces (E).
- Conecta los cables del ensamblaje del kit de luces (E) a los cables de la caja del interruptor del ensamblaje del motor del ventilador (D), usando los enchufes con adaptadores moldeados. (azul con negro, blanco con blanco). Coloca con cuidado todos los cables y empalmes dentro de la caja del interruptor.
- Alinea los tres tornillos dentados de la cubierta de la caja del interruptor del soporte del kit de luces con las tres ranuras tipo ojo de llave en la caja del interruptor. Asegúrate de que la muesca en la cubierta de la caja del interruptor del soporte del kit de luces, permita que el interruptor de reversa en la caja del interruptor se mueva libremente. Coloca el soporte del kit de luces en la caja del interruptor y hazlo girar de izquierda a derecha hasta fijar. Ajusta los tres tornillos dentados aflojados en el paso 1 para asegurar el soporte del kit de luces (E).



PRECAUCIÓN: Para disminuir el riesgo de descarga eléctrica, desconecta el circuito de energía del ventilador antes de instalar la lámpara.



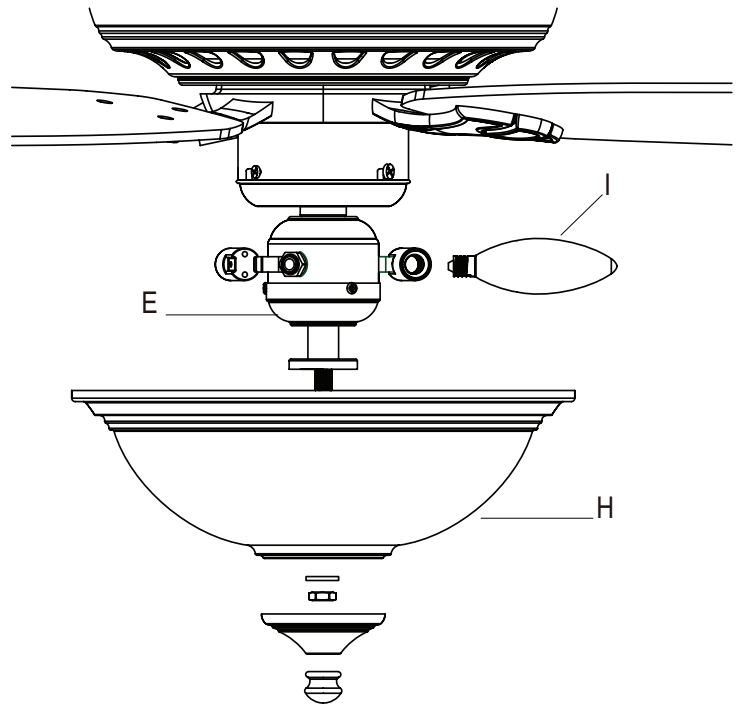
NOTA: Marca la posición de los orificios del interruptor deslizante del ventilador. Este es el interruptor utilizado para cambiar la dirección de la rotación del ventilador. Para obtener más información sobre el funcionamiento de este interruptor, consulta Cómo usar el ventilador y el control remoto en la página 12.

13 Instalar las bombillas y colocar el tazón de vidrio

- Retira la arandela de goma, la tuerca hexagonal, la cubierta inferior y el remate del soporte de la boquilla enroscada del kit de luces (E).
- Con la electricidad apagada, instala las dos bombillas fluorescentes (de 60 W Máximo, incluidas) enroscándolas en los portabombillas.
- Coloca el tazón de vidrio sobre la boquilla roscada (H).
- Reinstala la arandela de goma y la tuerca hexagonal en la boquilla roscada para asegurar el tazón de vidrio correctamente.
- Reinstala el remate y apriétalo con los dedos.



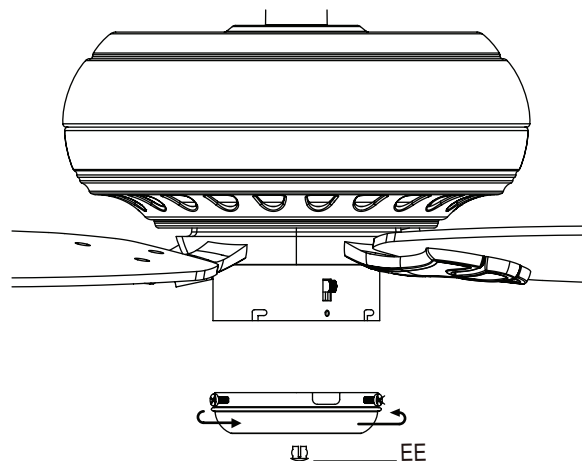
PRECAUCIÓN: No aprietes demasiado la tuerca hexagonal y el remate, ya que podrías romper el vidrio.



ADVERTENCIA: Colocar bombillas de vataje incorrecto hará que las luces del ventilador se apaguen hasta que se instale las bombillas adecuadas. Apaga la lámpara y reemplaza las bombillas con otras de vataje correcto, enciende la electricidad.

14 Cómo ensamblar el ventilador sin la lámpara

- Con el fin de utilizar el ventilador sin el kit de luces, retira la cubierta de la caja del interruptor ubicado en la parte superior del soporte del kit de luces (E), retirando la tuerca hexagonal del centro dentro de la cubierta de la caja del interruptor; y luego, desenrosca la cubierta de la caja del interruptor de la boquilla roscada sobre el soporte del kit de luces (E). Retira los tornillos.
- Empuja el tapón plástico (EE) (incluido) dentro del orificio central de la cubierta de la caja del interruptor.
- Alinea los tres orificios para tornillos en la cubierta de la caja del interruptor con las tres ranuras tipo ojo de llave en la caja del interruptor. Asegúrate de que la muesca en la cubierta de la caja del interruptor permita que el interruptor de reversa en la caja se mueva libremente.
- Coloca la cubierta de la caja del interruptor sobre esta última e instala los tres tornillos que retiraste en el paso 1.
- Gira la cubierta de la caja del interruptor hacia la derecha hasta que cierre, ajusta los tres tornillos dentados.



Cómo usar el ventilador y el control remoto


Control remoto - Tu ventilador está equipado con un control remoto que controla la velocidad y las luces de tu ventilador de techo. Para más información sobre cómo instalar el control remoto, consulta las instrucciones del control remoto y revisa los componentes incluidos con éste.

Las configuraciones de velocidad para clima cálido o frío dependen de factores como tamaño de la habitación, altura del techo, cantidad de ventiladores y demás.

Este ventilador se envía desde la fábrica con el interruptor de reversa posicionado para hacer circular el aire hacia abajo. Si deseas dirigir la corriente de aire en la dirección contraria, apaga el ventilador y espera que las aspas se detengan, luego desliza el interruptor de reversa (ubicado en la caja del interruptor) hacia la dirección opuesta y vuelve a prender el ventilador. Las aspas del ventilador girarán en sentido contrario y revertirán la dirección de la corriente de aire.

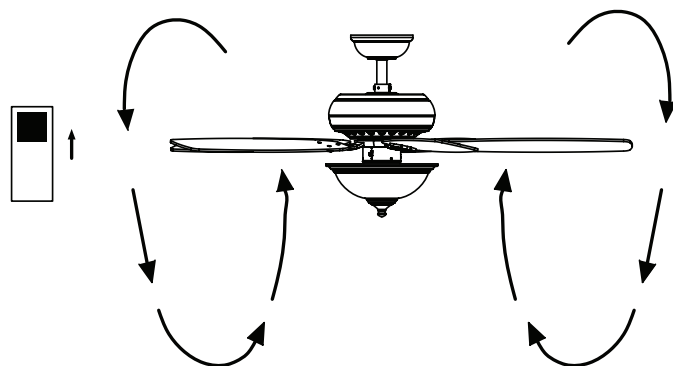
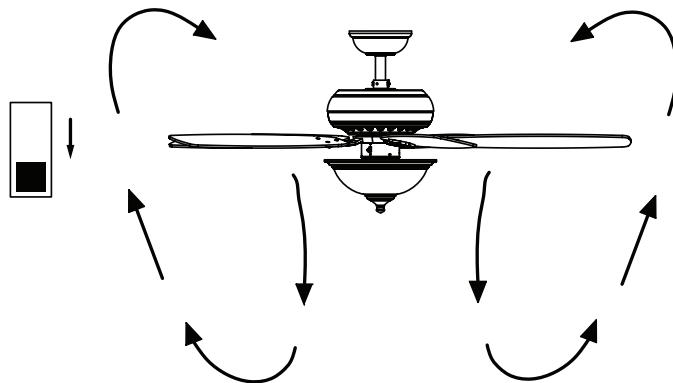
1. Velocidad - El control remoto tiene teclas de Bajo (Low), Medio (Med), Alto (Hi) y Apagado (Off) para seleccionar la velocidad de funcionamiento deseada y para apagar o encender el ventilador.

2. Luces - Para controlar el kit de luces, el control remoto tiene un botón para luces/regulador de intensidad.

 NOTE: Espera a que se detenga el ventilador antes de invertir la dirección de giro de las aspas.

Clima cálido - (Hacia adelante) Un flujo de aire hacia abajo crea un efecto refrescante. Esto te permite fijar tu aire acondicionado en una configuración más alta sin afectar tu comodidad.

Clima frío - (Reversa) Un flujo de aire hacia arriba mueve el aire cálido lejos del techo. Esto te permite fijar tu unidad de calefacción en una configuración más baja sin afectar tu comodidad.



Cómo poner en funcionamiento el ventilador

Tecla Hi = Velocidad Alta

Tecla Med = Velocidad Media

Tecla Low = Velocidad Baja

Tecla Off = Apagado

Tecla Luz/Regulador de intensidad = Regula la intensidad de la luz, con memoria

Mantenimiento y Limpieza



ADVERTENCIA: Asegúrate de que la corriente esté apagada antes de limpiar el ventilador.

- Debido al movimiento natural del ventilador, algunas conexiones pueden aflojarse con el tiempo. Revisa las conexiones de soporte, soportes y accesorios de aspas dos veces al año. Verifica que estén seguros. No es necesario desmontar el ventilador del techo.
- Limpia tu ventilador con frecuencia, para que luzca como nuevo a pesar de los años. No uses agua al limpiar, esto puede dañar el motor o la madera, o causar descargas eléctricas. Usa solamente un cepillo suave o un paño sin pelusas para evitar arañar el acabado. El revestimiento está sellado con laca para minimizar la decoloración u opacidad.
- Puedes aplicar una fina capa de pulimento para muebles a la madera para una mayor protección y belleza. Cubre los arañazos pequeños con una leve aplicación de lustrador para calzado.
- Tu ventilador no necesita lubricación. El motor tiene cojinetes de bola sellados permanentemente lubricados.

Solución de problemas

Problema	Solución
El ventilador no enciende	<ul style="list-style-type: none">□ Verifica los fusibles o disyuntores principales y secundarios.□ Verifica las conexiones de cables en línea al ventilador y conexiones de cables del interruptor en la caja de interruptores.□ Revise la batería en el transmisor.□ Asegúrese de que están en el rango normal de 10-20 pies.□ Asegúrese de que los interruptores DIP están en la misma en el transmisor y el receptor.□ Recuerde que para apagar la fuente de alimentación antes de comprobar los interruptores DIP.
El ventilador hace ruido	<ul style="list-style-type: none">□ Asegúrate de que los tornillos de la carcasa del motor estén ajustados.□ Asegúrate de que los tornillos que unen el soporte de aspa al cuerpo del motor están bien ajustados.□ Asegúrate de que las conexiones de tuerca de cable no choquen unas con otras o con la pared interior de la caja del interruptor.□ Permite un período de 24 horas de “adaptación”. La mayoría de los ruidos asociados con un nuevo ventilador desaparecen en ese período.□ Si usas el kit de luces de Ventilador de Techo, asegúrate de que los tornillos que sujetan el vidrio estén bien colocados. Verifica que las bombillas estén bien aseguradas.□ Asegúrate de que la cubierta esté a una corta distancia del techo. No debería tocar el techo.□ Asegúrate de que tu caja eléctrica esté bien segura y las almohadillas aislantes de goma se hayan instalado entre la placa de montaje y la caja eléctrica.
El ventilador oscila	<ul style="list-style-type: none">□ Verifica que todas las aspas y tornillos de los brazos de aspas estén seguros.□ La mayoría de los problemas de oscilación del ventilador se deben a que las aspas no están a un mismo nivel. Verifica este nivel seleccionando un punto en el techo sobre la punta de una de las aspas. Mide desde un punto en el centro de cada aspa al punto en el techo. Mide esta distancia. Gira el ventilador hasta que la próxima aspa quede posicionada para medir. Repite para cada aspa. Las desviaciones de la medición deben estar dentro de un rango de 0.3 cm. Enciende el ventilador durante diez minutos. Si el ventilador continúa oscilando, comunícate con el servicio al cliente y te enviarán un kit de compensación de aspas, sin costo alguno.

Este equipo ha sido comprobado y se determinó que cumple con los límites establecidos para un dispositivo digital Clase B, de acuerdo con la Parte 15 de las Normas de la FCC. Estos límites fueron establecidos para ofrecer protección razonable contra la interferencia dañina durante uso residencial. Este equipo genera, usa y puede irradiar energía de radiofrecuencia; si no se instala y usa de acuerdo con las instrucciones, puede causar interferencia dañina a comunicaciones radiales. Sin embargo, no hay garantía de que no ocurrirá interferencia en una instalación particular. Si este equipo causa interferencia que perjudica la recepción de radio o televisión, lo cual puede determinarse encendiendo y apagando el equipo, se recomienda al usuario que trate de corregir la interferencia con una o más de las siguientes medidas:

- reorientar o reubicar la antena receptora.
- incrementar la distancia entre los equipos y el receptor.
- conectar el equipo a un tomacorriente en un circuito distinto al que el receptor está conectado.
- consultar al distribuidor o algún técnico de radio/TV con experiencia.

PRECAUCIÓN:

Los cambios o modificaciones sin aprobación expresa del responsable de este dispositivo podrían anular el derecho del usuario a operar el equipo.

Este dispositivo cumple con la Parte 15 de las Normas de FCC. Su operación está sujeta a las dos condiciones siguientes: (1) Este dispositivo no debe causar interferencia dañina, y (2) tiene que aceptar cualquier interferencia recibida, incluyendo aquella que pudiera afectar su funcionamiento.



¿Preguntas, problemas o piezas faltantes? Antes de volver a la tienda, llama al Servicio al Cliente de Hampton Bay de lunes a viernes de 8 a.m. a 6 p.m., Hora Estándar del Este

1-877-527-0313

HAMPTONBAY.COM

Guarda este manual para uso futuro.

X000000000-A