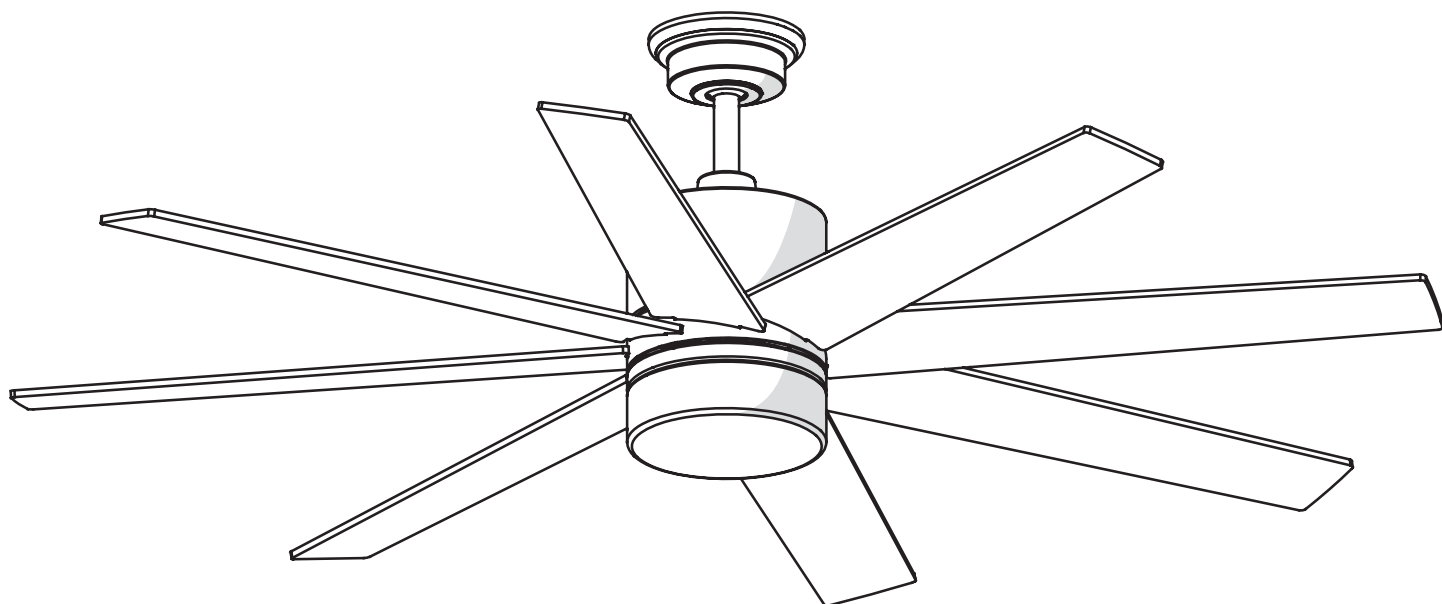


HOME
DECORATORS
COLLECTION

Item # 1001 xxx xxx
Model # 51608
ETL Model # 60-KBK

USE AND CARE GUIDE

KINGSBROOK 60-INCH CEILING FAN



Questions, problems, missing parts? Before returning to the store,
call Home Decorators Collection Customer Service
8 a.m. - 7 p.m., EST, Monday-Friday, 9 a.m. - 6 p.m., EST, Saturday.

1-800-986-3460

HOMEDEPOT.COM/HOMEDECORATORS

THANK YOU

We appreciate the trust and confidence you have placed in Home Decorators Collection through the purchase of this ceiling fan. We strive to continually create quality products designed to enhance your home. Visit us online to see our full line of products available for your home improvement needs. Thank you for choosing Home Decorators Collection!

Table of Contents

Table of Contents	2	Assembly	7
Safety Information	2	Operation	14
Warranty	3	Care and Cleaning	16
Pre-Installation	3	Troubleshooting	16
Installation	6		

Safety Information

READ AND SAVE THESE INSTRUCTIONS.

1. To reduce the risk of electric shock, ensure the electricity has been turned off at the circuit breaker or fuse box before you begin.
2. All wiring must be in accordance with the National Electrical Code ANSI/NFPA 70 and local electrical codes. Electrical installation should be performed by a qualified licensed electrician.
3. The outlet box and support structure must be securely mounted and capable of reliably supporting a minimum of 35 lbs. (15.9 kg). Use only UL-listed outlet boxes marked "Acceptable for Fan Support of 35 lbs. (15.9 kg) or less."
4. The fan must be mounted with a minimum of 7 ft (2.1 m) of clearance from the trailing edge of the blades to the floor.
5. Do not place objects in the path of the blades.
6. To avoid personal injury or damage to the fan and other items, use caution when working around or cleaning the fan.
7. After making electrical connections, spliced conductors should be turned upward and pushed carefully up into the outlet box. The wires should be spread apart with the grounded conductor and the equipment-grounding conductor on one side of the outlet box.
8. All set screws must be checked and retightened where necessary before installation.



WARNING: To reduce the risk of personal injury, do not bend the blade brackets (also referred to as flanges) during assembly or after installation. Do not insert objects in the path of the blades.



WARNING: To reduce the risk of fire or electric shock, do not use this fan with any solid-state speed control device.



WARNING: To avoid possible electrical shock, turn the electricity off at the main fuse box before wiring. If you feel you do not have enough electrical wiring knowledge or experience, contact a licensed electrician.



WARNING: To reduce the risk of fire, electric shock or personal injury, mount to outlet box marked "Acceptable for fan support of 35 lbs. (15.9 kg) or less", and use screws provided with the outlet box.



WARNING: Electrical diagrams are for reference only. If you are using a light kit, refer to the light kit instructions manual to make the electrical connections. Optional use of any light kit shall be UL-listed and marked suitable for use with this fan.



WARNING: To reduce the risk of fire or electric shock, this fan should only be used with fan speed control part no. XXXXXXX, manufactured by Satellite Electronic Co., LTD.



WARNING: To reduce the risk of electric shock, this fan must be installed with an isolating wall switch.



CAUTION: To reduce the risk of personal injury, use only the screws provided with the outlet box.



CAUTION: Do NOT use this fan with a dimmer switch or wall control. Using a dimmer switch or wall control will damage the fan.



CAUTION: Changes or modifications not expressly approved by the party responsible for compliance could void the user's authority to operate the equipment.

This device complies with part 15 of the FCC rules, operation is subject to the following two conditions. (1) this device may not cause harmful interference and (2) this device must accept any interference received, including interference that may cause undesired operation.

Warranty


The supplier warrants the fan motor to be free from defects in workmanship and material present at time of shipment from the factory for a lifetime after the date of purchase by the original purchaser. The supplier also warrants that all other fan parts, excluding any glass or acrylic blades, to be free from defects in workmanship and material at the time of shipment from the factory for a period of two years after the date of purchase by the original purchaser. We agree to correct such defects without charge or at our option replace with a comparable or superior model if the product is returned. To obtain warranty service, you must present a copy of the receipt as proof of purchase. All costs of removing and reinstalling the product are your responsibility. Damage to any part such as by accident or misuse or improper installation or by affixing any accessories, is not covered by this warranty. Because of varying climatic conditions this warranty does not cover any changes in brass finish, including rusting, pitting, corroding, tarnishing, or peeling. Brass finishes of this type give their longest useful life when protected from varying weather conditions. A certain amount of "wobble" is normal and should not be considered a defect. Servicing performed by unauthorized persons shall render the warranty invalid. There is no other express warranty. Home Decorators Collection hereby disclaims any and all warranties, including but not limited to those of merchantability and fitness for a particular purpose to the extent permitted by law. The duration of any implied warranty which cannot be disclaimed is limited to the time period as specified in the express warranty. Some states do not allow a limitation on how long an implied warranty lasts, so the above limitation may not apply to you. The retailer shall not be liable for incidental, consequential, or special damages arising out of or in connection with product use or performance except as may otherwise be accorded by law. Some states do not allow the exclusion of incidental or consequential damages, so the above exclusion or limitation may not apply to you. This warranty gives specific legal rights, and you may also have other rights which vary from state to state. This warranty supersedes all prior warranties. Shipping costs for any return of product as part of a claim on the warranty must be paid by the customer.

Contact the Customer Service Team at 1-800-986-3460 or visit www.HomeDepot.com/homedecorators.

Pre-Installation

SPECIFICATIONS

Size	Speed	Volts	Fan Power Consumption (without lights) WATT	Airflow CFM	Airflow Efficiency (Higher Is Better) CFM/WATT	Net Weight	Gross Weight	Cubic Feet
60 in.	1	120	X.0	XXXX	XXXX	XX.XX lbs (X.X kgs)	XX.XX lbs (X.X kgs)	X.X pies ³ (0.X m ³)
	2		X.0	XXXX	XXXX			
	3		X.0	XXXX	XXXX			
	4		X.0	XXXX	XXXX			
	5		X.0	XXXX	XXXX			
	6		X.0	XXXX	XXXX			
	7		X.0	XXXX	XXXX			
	8		X.0	XXXX	XXXX			
	9		X.0	XXXX	XXXX			

 **NOTE:** These are approximate measures. They do not include the Amps and Wattage used by the light kit.



Pre-Installation (continued)

TOOLS REQUIRED



Phillips screwdriver



Flat blade screwdriver



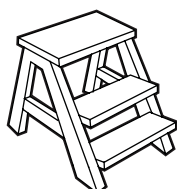
Adjustable wrench



Electrical tape



Wire cutter / Stripper



Step ladder

HARDWARE INCLUDED



NOTE: Hardware not shown to actual size.



AA

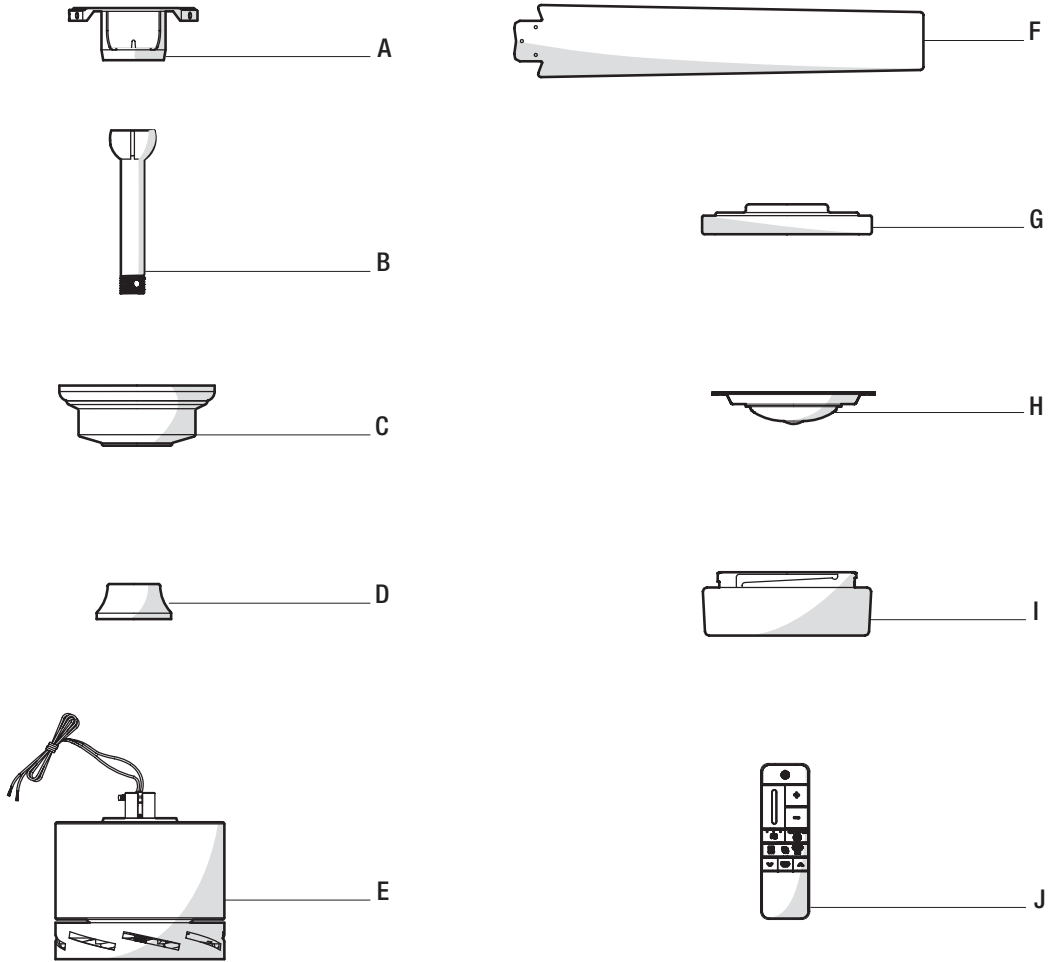


BB

Part	Description	Quantity
AA	Blade attachment screws	25
BB	Plastic wire connecting nut	3

Pre-Installation (continued)

PACKAGE CONTENTS



Part	Description	Quantity
A	Slide-on mounting bracket (inside canopy)	1
B	Ball/downrod assembly	1
C	Canopy with canopy ring attached	1
D	Decorative motor collar cover	1

Part	Description	Quantity
E	Fan-motor assembly	1
F	Blade	8
G	Light kit pan	1
H	Light kit fitter assembly (LED included)	1
I	Glass bowl	1
J	Remote control (batteries included)	1



IMPORTANT: This product and/or components are governed by one or more of the following U.S. Patents: 5,947,436; 5,988,580; 6,010,110; 6,046,416; 6,210,117 and other patents pending.

Installation

MOUNTING OPTIONS

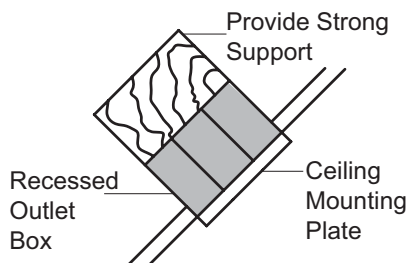
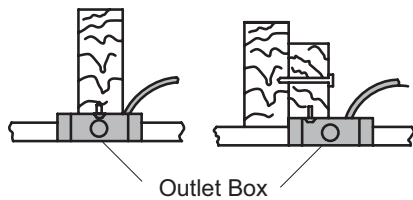
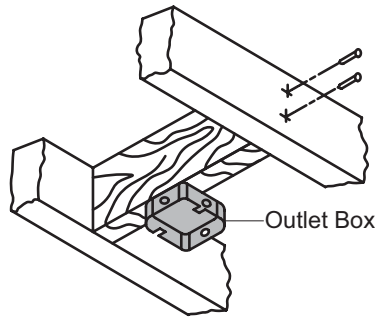


WARNING: To reduce the risk of fire, electric shock or personal injury, mount to outlet box marked "Acceptable for fan support of 35 lbs. (15.9 Kg) or less", and use screws provided with the outlet box. An outlet box commonly used for the support of lighting fixtures may not be acceptable for fan support and may need to be replaced. If in doubt, consult a qualified electrician.

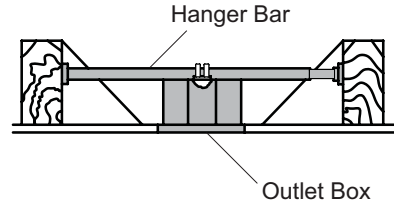
If your ceiling fan does not have an existing UL-listed mounting box, then install one using the following instructions:

- Disconnect the power by removing the fuses or turning off the circuit breakers.
- Secure the outlet box directly to the building structure. Use the appropriate fasteners and materials. The outlet box and support structure must be securely mounted and capable of reliably supporting a minimum of 35 lbs. (15.9kg). Use only UL-listed outlet boxes marked "Acceptable for fan support of 35 lbs. (15.9 Kg) or less" Do not use a plastic outlet box.

The illustrations below show three different ways to mount the outlet box.



NOTE: You may need a longer downrod to maintain proper blade clearance when installing on a steep, sloped ceiling. The maximum angle allowable is 30° away from horizontal.



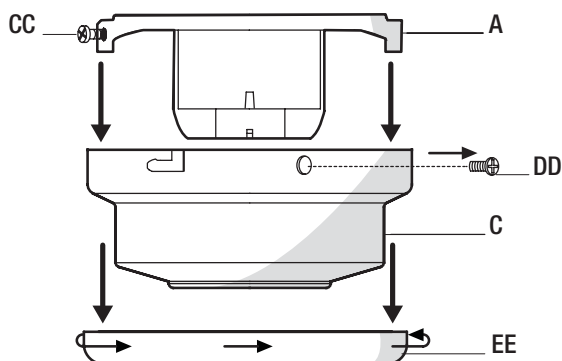
If the canopy touches the downrod, then remove the decorative canopy bottom cover, and turn the canopy 180° before attaching the canopy to the mounting plate.

To hang your fan where there is an existing fixture but no ceiling joist, you may need an installation hanger bar as shown above (available at any Home Depot store).

Assembly - Standard Ceiling Mount

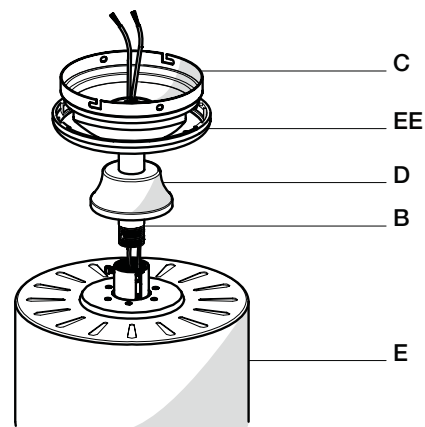
1 Preparing for mounting

- Remove the canopy ring (EE) from the canopy (C) by turning the ring counterclockwise until it unlocks.
- Remove the mounting bracket (A) from the canopy (C) by loosening the two canopy screws (CC) located in the “L shaped” slots.
- Remove and save the two canopy screws (DD) in the round holes. This will enable you to remove the mounting bracket (A).



2 Routing the wires

- Route the wires exiting the top of the fan-motor assembly (E) through the center of the canopy ring (EE).
- Insert the ball/downrod (B) through the canopy (C) and slide the decorative motor collar cover (D) onto the end of the ball/downrod (B). Make sure the slots on the canopy (C) are on top.
- Route the wires exiting the top of the fan motor assembly (E) through the downrod as shown.



3 Assembling the fan

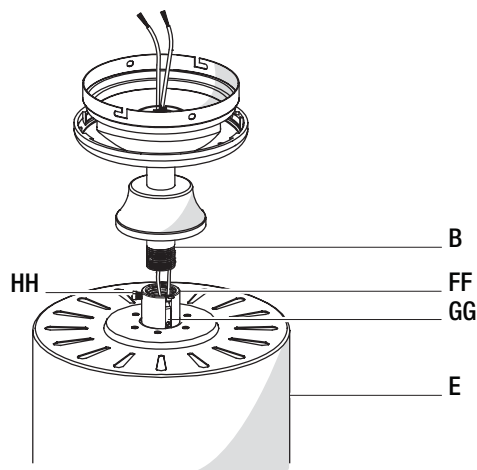


CAUTION: To ensure wobble-free operation and to avoid damage to the fan, the downrod (B) and the setscrew (HH) must be completely tightened



NOTE: This fan is equipped with a safety tab (GG). Should the setscrew (HH) ever become loose while the fan is running in reverse, the safety tab (GG) will engage and stop the fan from falling.

- Remove the setscrew (HH) by turning it counterclockwise.
- Install the downrod (B) by inserting it into the motor collar (FF), and turning it clockwise until it is tight.
- Reinstall the setscrew (HH) turning clockwise until tight.



Assembly - Hanging the Fan

1 Attaching the fan to the electrical box

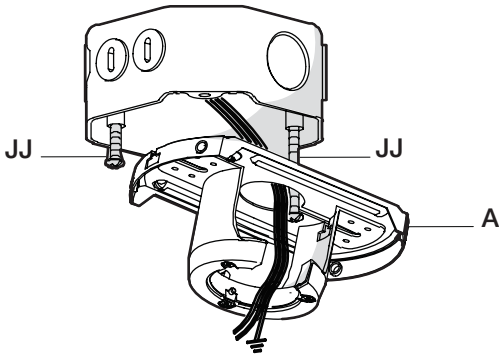


WARNING: To reduce the risk of fire, electric shock or personal injury, mount to outlet box marked "Acceptable for fan support of 35 lbs. 15.9 kg) or less", and use screws provided with the outlet box.



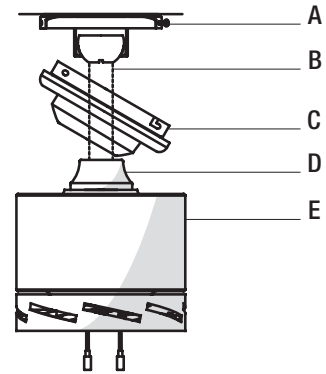
NOTE: The mounting bracket (A) is designed to slide into place on an outlet box with the outlet box screws (JJ) installed.

- Loosen the two mounting screws (JJ) in the outlet box.
- Pass the 120-Volt supply wires through the center hole in the mounting bracket (A).
- Slide the mounting bracket (A) on to the mounting screws (JJ) and center the mounting bracket (A) in relation to the outlet box. If necessary, use leveling washers (not included) between the slide-on mounting bracket (A) and the outlet box. The flat side of the slide-on mounting bracket (A) should face toward the outlet box, as shown.
- Securely tighten the two mounting screws (JJ).



2 Hanging the fan

- Carefully lift the fan-motor assembly (E) up to the slide-on mounting bracket (A).
- Insert the ball portion of the ball/downrod assembly into the socket of the slide-on mounting bracket (A).
- Turn the ball/downrod assembly clockwise until it is seated with the tab of the slide-on mounting bracket (A) aligned with the slot in the ball.



Assembly - Hanging the Fan (continued)

3 Making the electrical connection



WARNING: Each wire not supplied with this fan is designed to accept up to one 12-gauge house wire and two wires from the fan. If you have larger than 12-gauge house wiring or more than one house wire to connect to the fan wiring, consult an electrician for the proper size wire nuts to use.

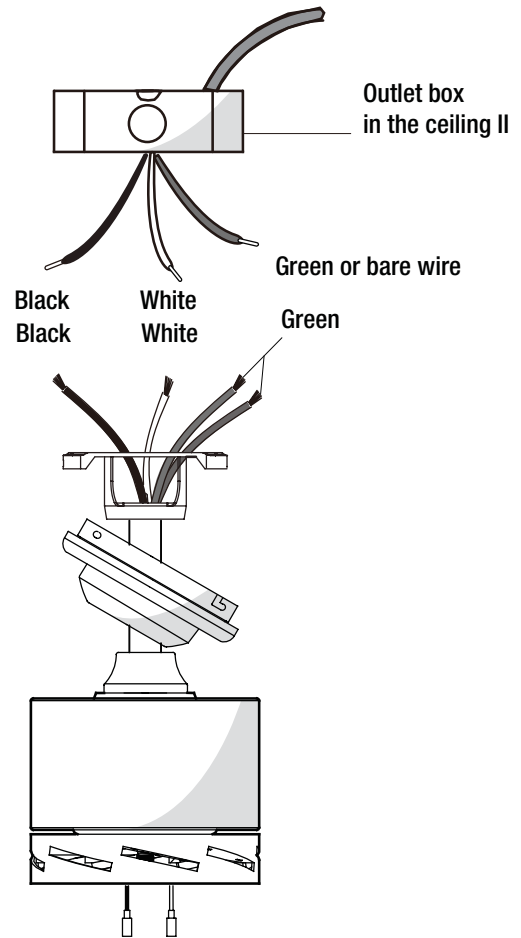


IMPORTANT: Use the plastic wire connectors (BB) supplied with your fan. Secure the connectors with electrical tape and ensure there are no loose strands or connections.



NOTE: The fan comes with 78 in. lead wires for use with an extended ball/ downrod assembly. If using the 6 in. ball/downrod assembly (B) provided, you can cut the lead wires to your desired length (no shorter than 12 in.)

- The fan comes with 78 in. lead wires for use with an extended ball/ downrod assembly. If using the 6 in. ball/downrod assembly (B) provided, you can cut the lead wires to your desired length (no shorter than 12 in.). This will make extra room in the canopy (C), if you do not wish to cut the wires, you will need to neatly wrap them.
- Connect the fan motor green wires to the household green or bare wire using a wire connecting nut (BB).
- Connect the fan motor white wires to the household white wire using a wire connecting nut (BB).
- Connect the fan motor black wires to the household black wire using a wire connecting nut (BB).
- Secure each wire connecting nut using electrical tape.
- Turn the wire connecting nut (BB) upward and push the wiring into the outlet box (II).



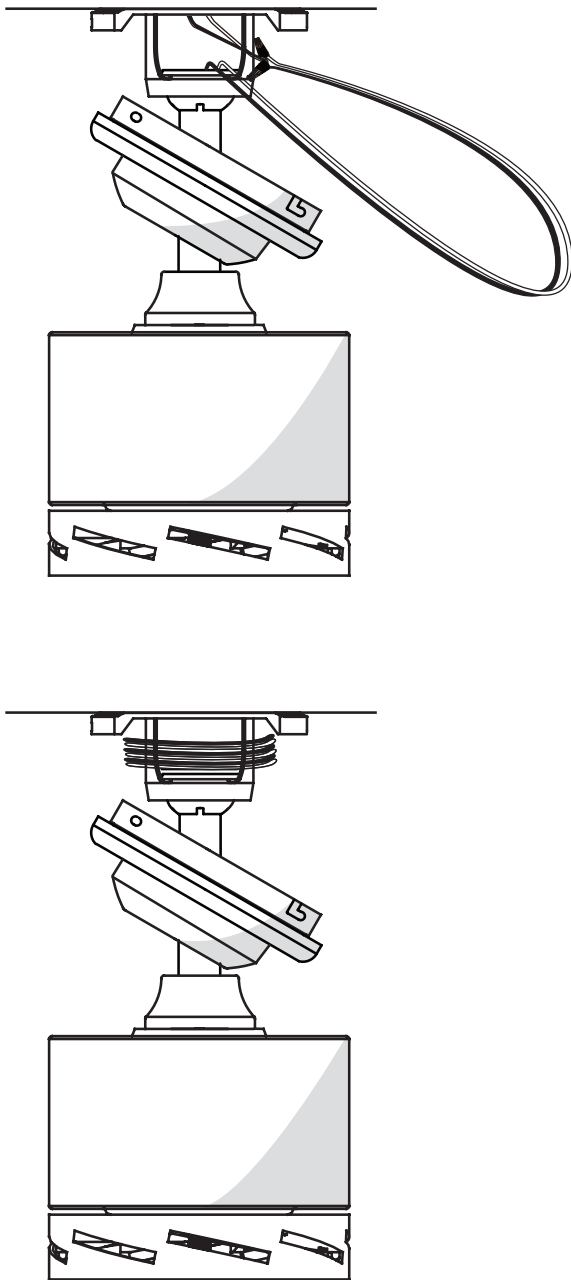
Assembly - Hanging the Fan (continued)

4 Wrapping the extra wire



NOTE: Follow this step **ONLY** if you did not cut the extra length off from the wires coming from the ceiling fan.

- Gently wrap the excess wire around the mounting bracket.
- Secure with electrical tape.



5 Mounting the fan-motor assembly (standard mount)

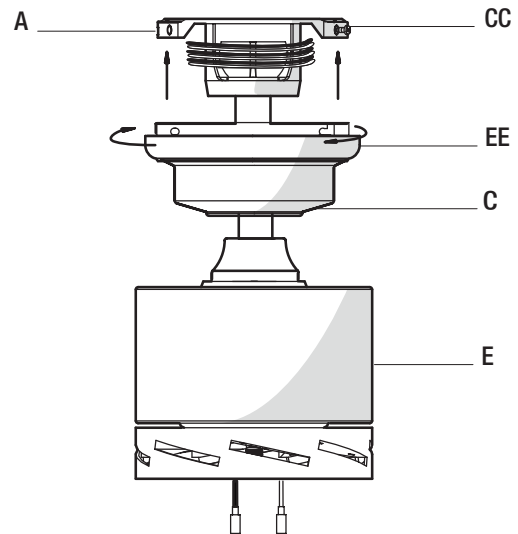


WARNING: When using the standard ball/downrod mounting, the tab in the ring at the bottom of the mounting bracket must rest in the groove of the hanger ball. Failure to properly seat the tab in the groove could cause damage to the wiring.



WARNING: The locking slots of ceiling canopy are provided only as an aid to mounting. Do not leave the fan assembly unattended until all four canopy screws are engaged and firmly tightened.

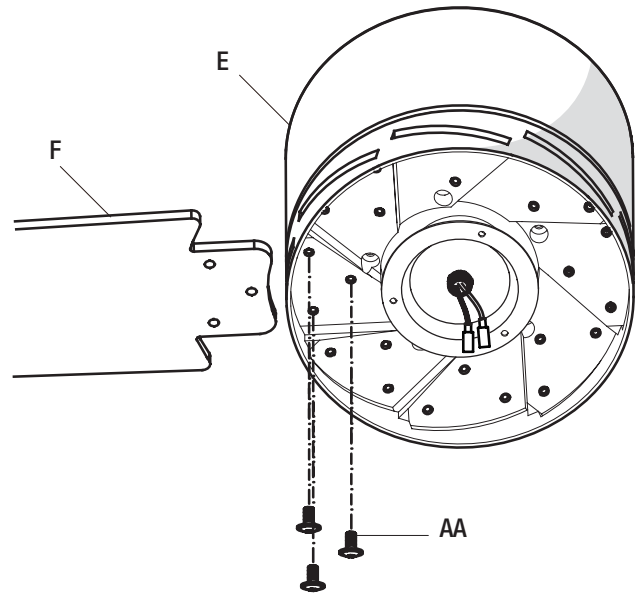
- Align the locking slots of the ceiling canopy (C) with the two screws (CC) in the slide-on mounting bracket (A). Push up to engage the slots, and turn clockwise to lock the canopy (C) in place.
- Firmly tighten the two mounting screws (CC).
- Install the two mounting screws (saved from Assembly Step 1 "Preparing for mounting") into the holes in the canopy (C) and tighten firmly.
- Install the decorative canopy ring (EE) by aligning the ring's slots with the screws in the canopy (C). Rotate the canopy ring (EE) counterclockwise to lock it in place.



Assembly - Hanging the Fan (continued)

5 Attaching the fan blades

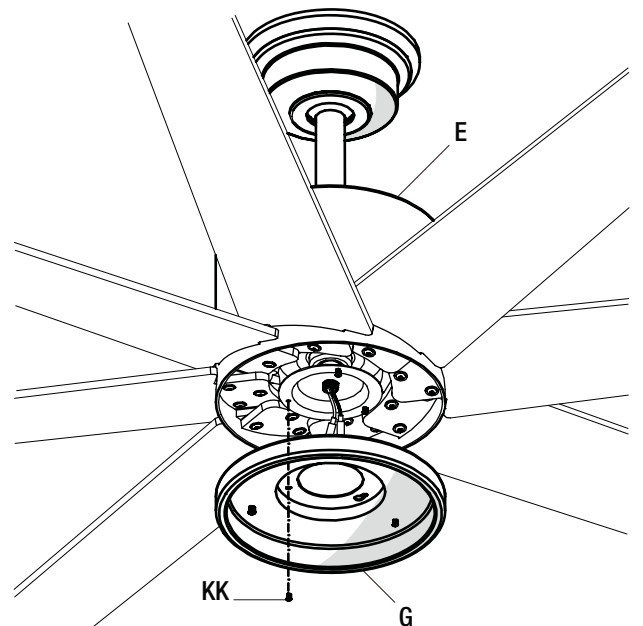
- Attach a blade (F) to the fan-motor assembly (E) by inserting the blade (F) into slots in the side of the fan motor housing and aligning the three screw holes in the blade with the holes in the center flywheel and secure with screws (AA).
- Make sure all the screws are firmly tightened.
- Repeat these steps for the remaining blades.



Assembly - Attaching the Accessories

1 Installing the light kit pan

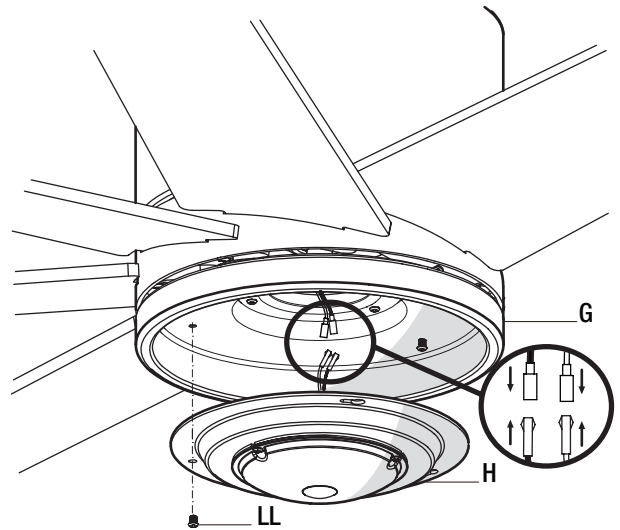
- Remove one screw (KK) from the black bracket below fan motor assembly (E), and loosen but do not remove the other two screws.
- Push the light kit pan (G) up to the fan motor assembly (E) so that the two loosened screw heads fit into the keyhole slots. Turn the light kit pan (G) clockwise.
- Re-install the screw (KK) that was removed in step 1.
- Make sure all the screws are firmly tightened.



Assembly - Attaching the Accessories

2 Attaching the light kit fitter assembly

- Remove one screw (LL) from the light kit pan, and loosen, but do not remove the other two screws.
- Connect the blue wire exiting the bottom of the fan motor assembly (E) with the black wire from the top of the light kit fitter assembly (H).
- Connect the white wire exiting the bottom of the fan motor assembly (E) with the white wire from the top of the light kit fitter assembly (H).
- Push the light kit fitter assembly (H) up to the light kit pan so that the two loosened screw heads fit into the keyhole slots. Turn the light kit fitter assembly (H) clockwise to secure.
- Re-install the screw that was removed in step 1.
- Make sure all the screws are firmly tightened.

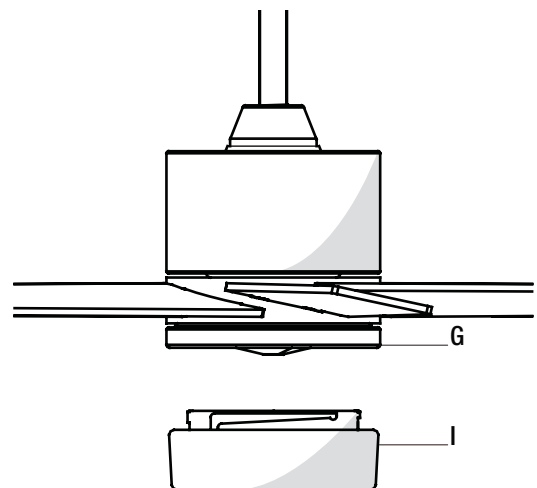


3 Installing the shade



WARNING: Do not overtighten when installing the shade into the light kit. Allow the shade to cool completely before removing.

- Place the glass bowl (I) into the light kit, aligning the three flat areas on the top of the flange of the glass bowl (I) with the three raised dimples in the light kit. Turn the shade clockwise until it stops.



Operating Your Fan and Remote Control

Installing the batteries

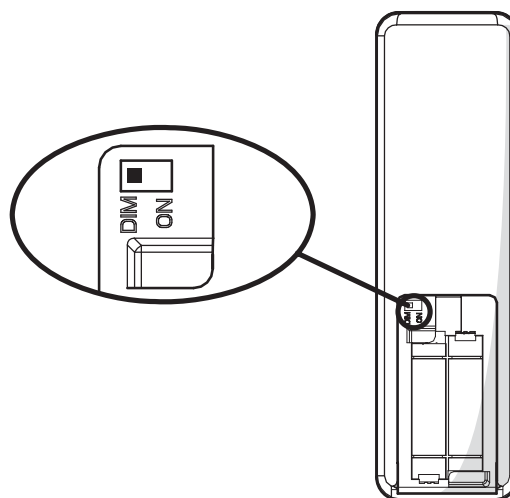


NOTE: The battery will weaken with age and should be replaced before leaking takes place as this will damage the remote control. Dispose of used battery properly and keep the battery out of the reach of children.



NOTE: The remote ships from the factory with the dip switch set to DIM. The light's dimming capability will be lost if the dip switch is switched to the ON position.

- ❑ Remove the battery cover by pressing firmly on the arrow and sliding the cover off.
- ❑ Install two 1.5V AAA batteries (included).
- ❑ Replace the battery cover on the remote control.



Learning process



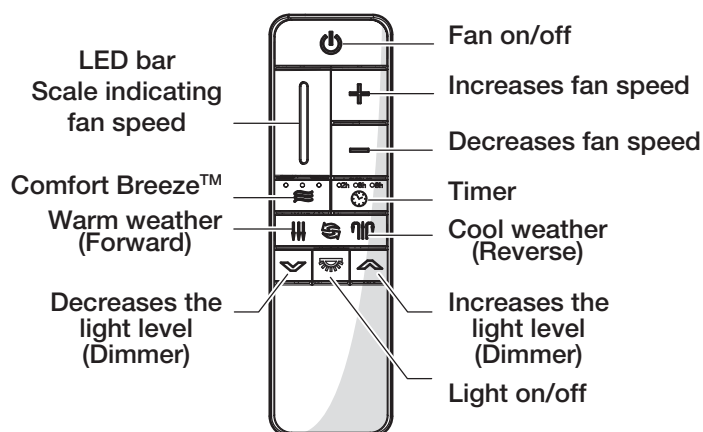
NOTE: After the AC power is on, do not press any other button on the remote control before pressing the (FAN ON/OFF) button. Doing so will cause the procedure to fail.





NOTE: The remote control can learn multiple receivers. Make sure no other receivers are operating during the learning process. Separate the fan power switches by approximately 2 meters.


Should you desire to use another remote control unit with your new fan, install one using the steps below:

- ❑ Turn the main power source off to begin the learning process.
- ❑ Return the power to the unit.
- ❑ Within 30 seconds of turning the fan's AC power ON, Press and hold the button for 5 seconds to enter the learning function. Once the receiver has detected the set frequency, the down light of your fan, if applicable, will blink twice. There is no indication if your fan is not equipped with a light.




Operating Your Fan and Remote Control

1. Fan  button. - Press and release the  button to turn the fan on or off.

- Press and hold the  button for 5 seconds to enter the learning function.
- Fan on. The fan memory function will resume the speed set on the fan prior to the power being turned off. The LED bar will display the current settings for 5 seconds after the button is released.



Note: If you are currently using Comfort Breeze™ mode, pressing the  button will cancel Comfort Breeze™ mode and resume normal fan operation.

- Fan off. The fan memory function will store the current setting for the next time the fan is in use.



Note: You must turn the fan on prior to using the timer function.

2. Speed functions

+ button, increases the fan speed

- Pressing and releasing the + button one time will increase the speed of the fan. Each setting increase will cause the LED bar to illuminate slightly more, until the fan has reached the maximum speed setting. At that time the LED bar will be fully illuminated.
- Pressing and holding the + button will increase the fan speed automatically through the speed settings and the increments will be denoted on the LED bar. When the LED bar is fully illuminated, the fan has reached maximum speed setting.
- Pressing the + button while in Comfort Breeze™ mode, will automatically cancel the Comfort Breeze™ mode and resume normal fan operation.

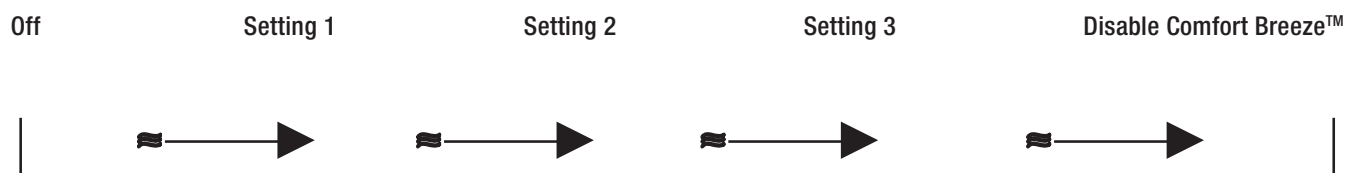
- button, decreases fan speed

- Pressing and releasing the - button one time will decrease the speed of the fan. Each setting decrease will cause the LED bar to dim slightly more, until the fan has reached the minimum speed setting. At that time the LED bar will be approximately 25% illuminated.
- Pressing and holding the - button will decrease the fan speed automatically through the speed settings and the increments will be denoted on the LED bar. When the LED bar is 25% illuminated, the fan has reached the minimum speed setting.
- Pressing the - button while in Comfort Breeze™ mode, will automatically cancel the Comfort Breeze™ mode and resume normal fan operation.

3. Comfort Breeze™

There are three Comfort Breeze™ settings. Pressing the  button will activate the Comfort Breeze™ mode and LED bar will illuminate slowly from bottom to top to display the current setting.

- Setting 1: Alternates through speeds 1 – 3, the LED bar should fill approximately 33%.
- Setting 2: Alternates through speeds 1 – 6, the LED bar should fill approximately 66%.
- Setting 3: Alternates through speeds 1 – 9, the LED bar should be fully illuminated.



Operating Your Fan and Remote Control

4. Timer 🕒

- ❑ Pressing the timer button will automatically turn fan and light (if light is on) off after 2, 4, or 8 hours. When you activate the timer mode, the LED to the left of the time above the clock will illuminate.



5. Fan reverse button (Must be pushed when the fan is in operation)

- ❑ Warm weather: ☀️ LED bar will illuminate and the lights will flow from high to low.
- ❑ Cool weather: ❄️ LED bar will illuminate and the lights will flow from low to high.

6. Light 🏠

- ❑ Press and release the light button to turn the light on or off
- ❑ Light on: The fan memory function will resume the light setting (on or off and dim) on the fan prior to the power being turned off.

7. Dimmer.

- ❑ Press ⬆️ to increase desired light level.
- ❑ Press ⬇️ to decrease the desired light level.

Remote Control - Your fan is equipped with a remote control to operate the speed and lights of your new ceiling fan.

Speed setting for warm or cool weather depend on factors such as the room size, ceiling height, number of fans and so on.

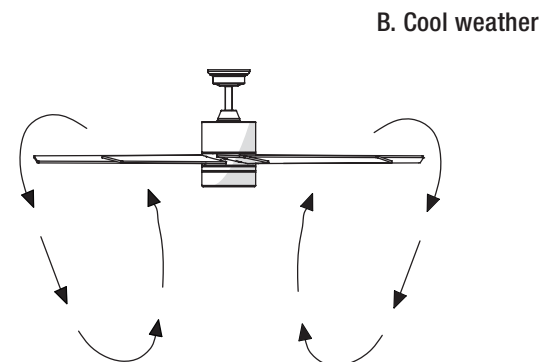
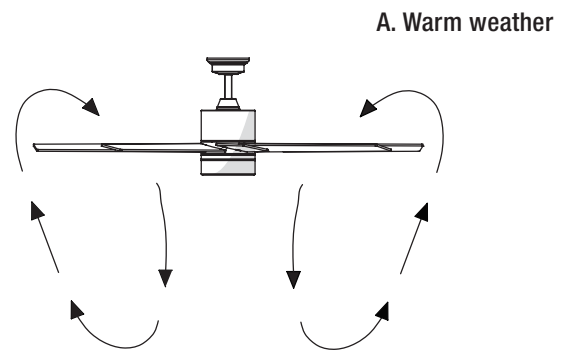
A. Warm weather - (Forward) A downward airflow creates a cooling effect.

This allows you to set your air conditioner on a higher setting without affecting your comfort.

B. Cool weather - (Reverse) An upward airflow moves warm air off of the ceiling. This allows you to set your heating unit on a lower setting without affecting your comfort.



NOTE: Do not wait for the fan to stop before pressing the reverse button. The fan will not reverse direction if the fan is not moving.



Care and Cleaning



WARNING: Make sure the power is off before cleaning your fan.

- Because of the fan's natural movement, some connections may become loose. Check the support connections, brackets, and blade attachments twice a year. Make sure they are secure. It is not necessary to remove the fan from the ceiling.
- Clean your fan periodically to help maintain its new appearance over the years. Do not use water when cleaning, as this could damage the motor, or the wood, or possibly cause an electrical shock. Use only a soft brush or lint-free cloth to avoid scratching the finish.
- You can apply a light coat of furniture polish to the wood for additional protection and enhanced beauty. Cover small scratches with a light application of shoe polish.
- You do not need to oil your fan. The motor has permanently-lubricated sealed ball bearings.

Troubleshooting

Problem	Solution
The fan will not start.	<ul style="list-style-type: none"><input type="checkbox"/> Check the main and branch circuit fuses or breakers.<input type="checkbox"/> Check the line wire connections to the fan and switch wire connections in the switch housing.<input type="checkbox"/> Check the battery in the remote control.<input type="checkbox"/> Ensure you are in the normal range of 10-20 feet.<input type="checkbox"/> Remember to turn off the power supply before checking the dip switch settings.
The fan is noisy.	<ul style="list-style-type: none"><input type="checkbox"/> Ensure all motor housing screws are snug.<input type="checkbox"/> Ensure the screws that attach the fan blade bracket to the motor hub are tight.<input type="checkbox"/> Ensure the wire nut connections are not rattling against each other or the interior wall of the switch housing.<input type="checkbox"/> Allow a 24-hour "breaking in" period. Most noises associated with a new fan disappear during this time.<input type="checkbox"/> If you are using the Ceiling Fan light kit, ensure the screws securing the glassware are tight. Check that the light bulbs are also secure.<input type="checkbox"/> Ensure the canopy is a short distance from the ceiling. It should not touch the ceiling.<input type="checkbox"/> Ensure your outlet box is secure and rubber isolator pads were used between the mounting plate and outlet box.
The fan wobbles.	<ul style="list-style-type: none"><input type="checkbox"/> Check that all blade and blade arm screws are secure.<input type="checkbox"/> Most fan wobble problems are caused when blade levels are unequal. Check this level by selecting a point on the ceiling above the tip of one of the blades. Measure from a point on the center of the blade to the point on the ceiling. Rotate the fan until the next blade is positioned for measurement, and measure from the same point on each blade to the ceiling. Repeat for each blade. Any measurement deviation should be within 1/8 in. Run the fan for ten minutes. If the fan continues to wobble please contact Customer Service and a balancing kit will be sent to you at no charge.

HOME DECORATORS COLLECTION

Questions, problems, missing parts? Before returning to the store,
call Home Depot Customer Service
8 a.m. - 7 p.m., EST, Monday-Friday, 9 a.m. - 6 p.m., EST, Saturday.

1-800-986-3460

[HOMEDEPOT.COM/HOMEDECORATORS](https://www.homedepot.com/homedecorators)

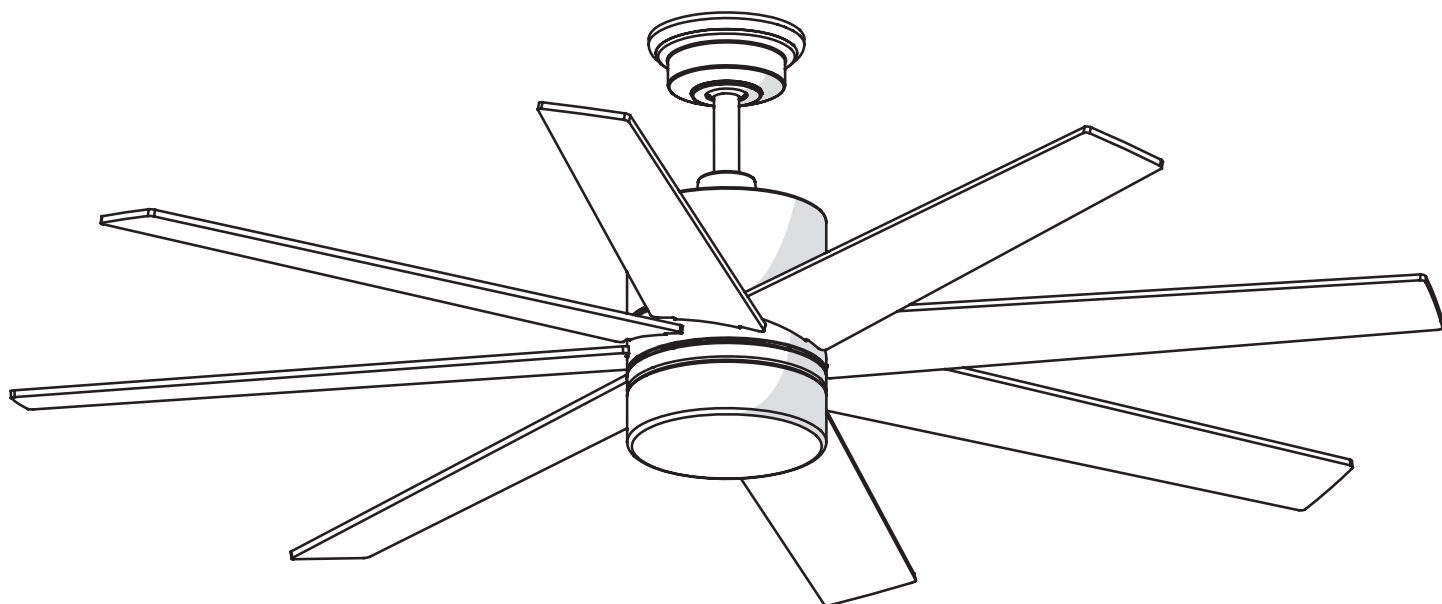
Retain this manual for future use.

HOME
DECORATORS
COLLECTION

Artículo núm. 1001 xxx xxx
Modelo núm. 51608
Modelo ETL núm. 60-KBK

GUÍA DE USO Y MANTENIMIENTO

KINGSBROOK - VENTILADOR DE TECHO, DE 1.52 M



¿Preguntas, problemas o piezas faltantes? Antes de devolver a la tienda, llama al servicio al cliente de Home Decorators Collection, De lunes a viernes, entre 8:00 a.m. y 7:00 p.m. (hora estándar del Este), y los sábados de 9:00 a.m. a 6:00 p.m. (hora estándar del Este).

1-800-986-3460

HOMEDEPOT.COM/HOMEDECORATORS

GRACIAS POR TU COMPRA

Apreciamos la confianza que has depositado en Home Decorators Collection al comprar este ventilador de techo. Nos esforzamos en crear continuamente productos de calidad diseñados para mejorar tu hogar. Visítanos por Internet para ver nuestra línea completa de productos disponibles con vistas a las necesidades de mejoras de tu hogar. ¡Gracias por elegir Home Decorators Collection!

Tabla de contenido

Tabla de contenido	2	Ensamblaje.....	7
Información de seguridad.....	2	Funcionamiento.....	14
Garantía.....	3	Mantenimiento y limpieza.....	16
Pre-instalación.....	3	Solución de problemas	16
Instalación.....	6		

Información de seguridad

LEE Y GUARDA ESTAS INSTRUCCIONES.

1. Para disminuir el riesgo de descarga eléctrica, asegúrate de cortar la electricidad del cortacircuitos o la caja de fusibles antes de comenzar.
2. Todo el cableado debe cumplir con el Código Nacional de Electricidad ANSI/NFPA 70 y con los códigos locales de electricidad. La instalación eléctrica debe hacerse por un electricista certificado y calificado.
3. La caja eléctrica y la estructura de soporte tienen que montarse de forma segura y tener capacidad para sostener de manera confiable un mínimo de 35 lb. (15.9 kg). Usa sólo cajas eléctricas aprobadas por UL y marcadas como apropiadas para sostener ventiladores de 35 lb (15.9 kg) o menos.
4. El ventilador tiene que montarse con un mínimo de 2.1 m de separación entre el borde trasero de las aspas y el piso.
5. No coloques objetos en la trayectoria de las aspas.
6. Para evitar lesiones físicas o daños al ventilador y otros artículos, ten cuidado al limpiarlo o al trabajar cerca de él.
7. Después de concluir las conexiones eléctricas, debes voltear los conductores empalmados hacia arriba y meterlos con cuidado en la caja eléctrica. Los cables deben separarse con el cable a tierra y el conductor a tierra del equipo hacia uno de los lados de la caja eléctrica.
8. Todos los tornillos de fijación se deben verificar y ajustar donde sea necesario antes de la instalación.



PRECAUCIÓN: Los cambios o modificaciones sin previa aprobación expresa de la parte responsable de su cumplimiento podrían anular el derecho del usuario a operar el equipo.



ADVERTENCIA: Para reducir el riesgo de lesiones, no dobles los soportes de las aspas (también llamados bridas) durante el ensamblaje o después de la instalación. No coloques objetos en la trayectoria de las aspas.



ADVERTENCIA: Para disminuir el riesgo de incendio o descarga eléctrica, no utilices este ventilador con ningún dispositivo de control de velocidad de estado sólido.



ADVERTENCIA: Para evitar una posible descarga eléctrica, corta la energía eléctrica en la caja principal de fusibles antes de instalar el cableado. Si crees que no tienes suficiente experiencia o conocimientos sobre cableado eléctrico, contrata a un electricista con licencia.



ADVERTENCIA: Para reducir el riesgo de incendio, descarga eléctrica o lesiones personales, instala sólo en caja eléctrica clasificada como "apropiada para sostener ventiladores de 35 lb (15.9 Kg) o menos", y usa sólo los tornillos incluidos con la caja eléctrica.



ADVERTENCIA: Los diagramas eléctricos son sólo para referencia. Si usas un kit de luces, consulta el manual de instrucciones del kit de luces para hacer las conexiones eléctricas. Cualquier juego de luces opcional debe estar aprobado por UL y marcado como adecuado para ser usado con este ventilador.



ADVERTENCIA: Para reducir el riesgo de incendio o descarga eléctrica este ventilador sólo debe ser usado con un control identificado con el núm. de pieza JY1028, fabricado por Satellite Electronic Co., LTD.



ADVERTENCIA: A fin de reducir el riesgo de descargas eléctricas, este ventilador debe instalarse con un interruptor de aislamiento para montaje en pared.



PRECAUCIÓN: Para reducir el riesgo de lesiones, usa sólo los tornillos incluidos con la caja eléctrica.



PRECAUCIÓN: No usar este ventilador con control de pared o interruptor con regulador de intensidad. Usar uno u otro dañará este ventilador.

Este dispositivo cumple con la Parte 15 de las Regulaciones de la FCC. El uso está sujeto a las dos siguientes condiciones: (1) este dispositivo no debe causar interferencia dañina, y (2) tiene que aceptar cualquier interferencia recibida, incluyendo aquella que pudiera afectar su funcionamiento.

Garantía

El proveedor garantiza de por vida, a partir de la fecha de adquisición por el comprador original, que el motor del ventilador no presenta defectos de fabricación ni de materiales al momento del envío desde la fábrica. El proveedor también garantiza, por un periodo de dos años a partir de la fecha de adquisición por el comprador original, que todas las demás piezas del ventilador, sin incluir aspas de vidrio o acrílico, no presentarán ningún defecto de fabricación ni de material al momento del envío desde la fábrica. Acordamos reparar tales defectos sin cargo alguno o, a nuestra discreción, reemplazar el producto, si es devuelto, por un modelo de calidad igual o superior. Para obtener servicio de garantía, tiene que presentarse una copia del recibo como prueba de compra. Todos los costos de retiro y reinstalación del producto correrán por cuenta del cliente. No están cubiertos bajo esta garantía los daños a ninguna de las piezas como resultado de accidentes, instalación o uso incorrectos ni por instalación de cualquier accesorio. Puesto que las condiciones climáticas pueden variar, esta garantía no cubre ningún cambio en el acabado en bronce, incluyendo óxido, perforación, corrosión, manchas o descascaramiento. Este tipo de acabados en bronce brinda la vida útil más larga al dar protección contra condiciones climáticas cambiantes. Cierta "oscilación" es normal y no debe considerarse un defecto. Cualquier servicio prestado por personal no autorizado invalidará la garantía. No hay ninguna otra garantía expresa. Por este medio, Home Depot Decorators Collection queda exento de todas y cada una de las garantías, incluyendo, pero sin limitarse a, aquellas de comercialización e idoneidad para determinado propósito, en el alcance permitido por la ley. La duración de cualquier garantía implícita que no se pueda eximirse está limitada al periodo de tiempo especificado en la garantía explícita. Algunos estados no permiten limitar la duración de la garantía; por consiguiente, la limitación anterior pudiera no aplicarse a su caso. El minorista no será responsable por daños directos, indirectos o especiales que resulten o deriven del uso o funcionamiento del producto, excepto en los casos estipulados por la ley. Algunos estados no permiten excluir ni limitar daños directos o indirectos, así que la limitación o exclusión anterior pudiera no aplicarse a su caso. Esta garantía otorga derechos legales específicos y es posible que usted tenga también otros derechos, que varían de un estado a otro. Esta garantía sustituye todas las garantías anteriores. Los costos de envío de cualquier devolución de productos como parte de una reclamación de garantía corren por cuenta del cliente.

Comuníquese con el equipo de servicio al cliente por el teléfono 1-800-986-3460 o visite www.HomeDepot.com/homedecorators.

Pre-instalación

ESPECIFICACIONES

Tamaño	Velocidad	Voltios	Consumo de energía del ventilador (sin luces) WATT	Flujo de aire CFM	Eficiencia de flujo de aire (Mientras más alta, mejor) CFM/WATT	Peso neto	Peso bruto	Pies cúbicos
1.5 m	1	120	X.0	XXXX	XXXX	XX.XX lb (X.X kg)	XX.XX lb (X.X kg)	X.X pies ³ (0.X m ³)
	2		X.0	XXXX	XXXX			
	3		X.0	XXXX	XXXX			
	4		X.0	XXXX	XXXX			
	5		X.0	XXXX	XXXX			
	6		X.0	XXXX	XXXX			
	7		X.0	XXXX	XXXX			
	8		X.0	XXXX	XXXX			
	9		X.0	XXXX	XXXX			



NOTA: Estas medidas son aproximadas. No incluyen ni el amperaje ni el vataje consumido por el kit de luces.



Preinstalación (continuación)

HERRAMIENTAS NECESARIAS



Destornillador
Phillips



Destornillador
plano



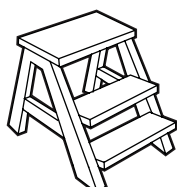
Llave
ajustable



Cinta de
electricista



Corta cables
/ Pela cables



Escalera de tijera

HERRAJES INCLUIDOS



NOTA: Los herrajes no se muestran
en tamaño real.



AA

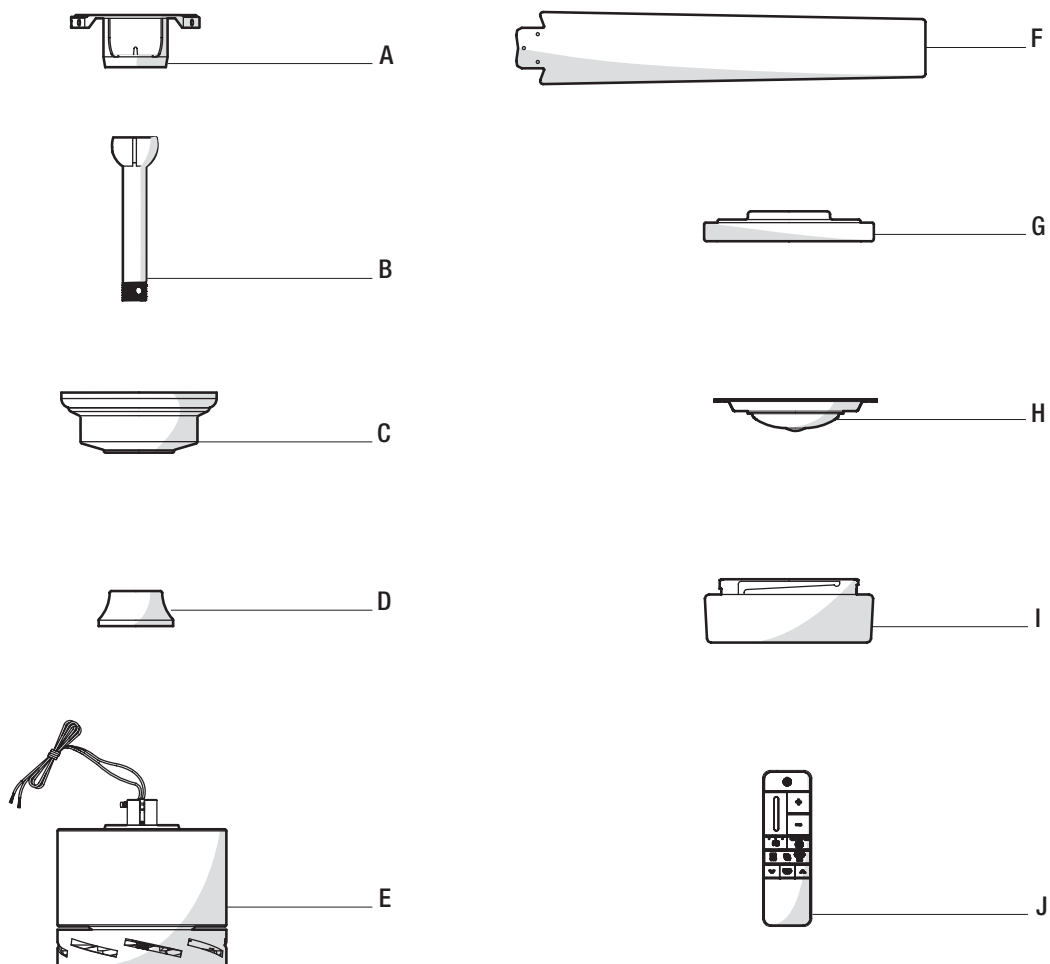


BB

Pieza	Descripción	Cantidad
AA	Tornillos para montaje de aspas	25
BB	Tuerca de plástico para conectar cables	3

Preinstalación (continuación)

CONTENIDO DEL PAQUETE



Pieza	Descripción	Cantidad
A	Soporte de montaje deslizante (dentro de la cubierta)	1
B	Ensamblaje de tubo bajante/bola	1
C	Cubierta con anillo de cubierta incorporado	1
D	Cubierta decorativa del collarín del motor	1

Pieza	Descripción	Cantidad
E	Ensamblado del motor del ventilador	1
F	Aspa	8
G	Carcasa del kit de luces	1
H	Ensamblaje del soporte del kit de luces (incluye LED)	1
I	Pantalla de vidrio	1
J	Control remoto (incluye baterías)	1



IMPORTANTE: Este producto o sus componentes están protegidos por una o más de las siguientes patentes de los EE. UU.: 5,947,436; 5,988,580; 6,010,110; 6,046,416; 6,210,117, así como por otras patentes pendientes.

Instalación

OPCIONES DE MONTAJE

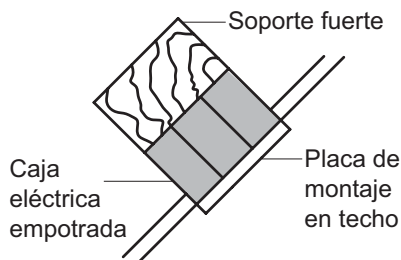
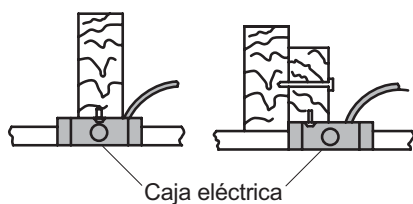
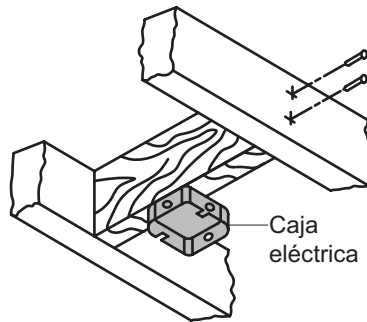


ADVERTENCIA: Para reducir el riesgo de incendio, descarga eléctrica o lesiones personales, instala sólo en una caja eléctrica clasificada como “apropiada para sostener ventiladores de 35 lb (15.9 Kg) o menos”, y usa sólo los tornillos incluidos con la caja eléctrica. Las cajas eléctricas utilizadas comúnmente para el soporte de lámparas pueden no servir como soporte de ventilador y tal vez deban reemplazarse. En caso de duda, consulta a un electricista calificado.

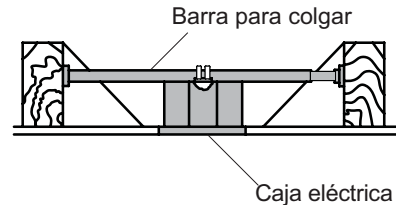
Si tu ventilador de techo no tiene una caja de montaje aprobada por UL, instala una siguiendo las instrucciones a continuación:

- Desconecta la energía retirando los fusibles o apagando los cortacircuitos.
- Asegura la caja eléctrica directamente a la estructura de la edificación. Usa los sujetadores y materiales apropiados. La caja eléctrica y la estructura de soporte tienen que montarse de forma segura y tener capacidad para sostener de manera confiable un mínimo de 35 lb. (15.9 kg). Usa sólo cajas eléctricas aprobadas por UL y marcadas como apropiadas para sostener ventiladores de 35 lb (15.9 kg) o menos. No uses una caja eléctrica de plástico.

Las ilustraciones más abajo muestran tres formas distintas de montar la caja eléctrica.



NOTA: Tal vez necesites un tubo bajante más largo para mantener la altura mínima adecuada de las aspas, al instalar el ventilador en un techo inclinado. El ángulo máximo permitido es 30° con respecto a la horizontal.

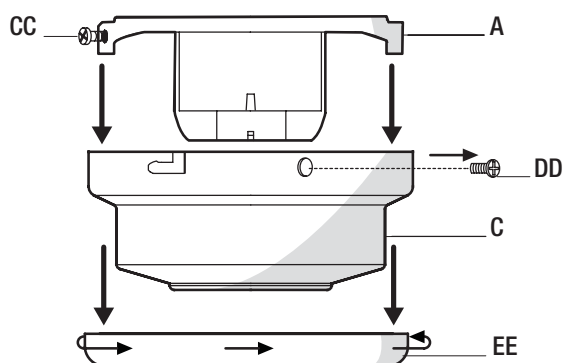


Si la cubierta toca el tubo bajante, retira la tapa inferior decorativa de la cubierta y gira 180° esta última antes de fijarla a la placa de montaje. Para colgar el ventilador donde ya haya una lámpara, pero ninguna viga de techo, tal vez necesites una barra colgante como se muestra más arriba (disponible en cualquier tienda de The Home Depot).

Ensamblaje - Montaje estándar en techo

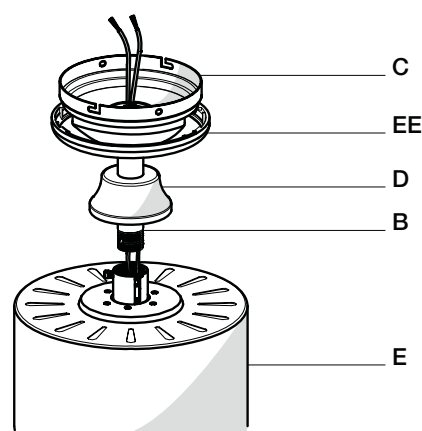
1 Preparación para el montaje

- ❑ Retira el aro (EE) de la cubierta (C) girándolo en sentido contrario a las manecillas del reloj hasta que se libere.
- ❑ Retira el soporte de montaje (A) de la cubierta (C) aflojando los dos tornillos de la cubierta (CC) ubicados en las ranuras en forma de "L".
- ❑ Quita y guarda los dos tornillos de la cubierta (DD) en los orificios redondos. Esto te permitirá retirar el soporte de montaje (A).



2 Disposición de los cables

- ❑ Inserta los cables que salen por la parte superior del conjunto motor-ventilador (E) a través del centro del anillo de la cubierta (EE).
- ❑ Inserta el tubo bajante/bola (B) a través de la cubierta (C) y desliza la cubierta decorativa del collarín del motor (D) en el extremo del tubo bajante/bola (B). Asegúrate de que las ranuras de la cubierta (C) estén en la parte superior.
- ❑ Inserta los cables que salen por la parte superior del ensamblaje del motor del ventilador (E) a través del tubo bajante, como se muestra.



3 Cómo ensamblar el ventilador

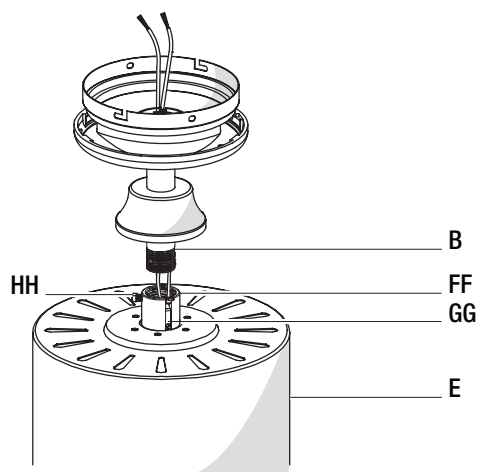


PRECAUCIÓN: Para asegurarte de que no haya oscilación y evitar dañar el ventilador, el tubo bajante (B) y el tornillo del fijación (HH) deben estar completamente ajustados



NOTA: Este ventilador está equipado con una pestaña de seguridad (GG). Si el tornillo de fijación (HH) se afloja mientras el ventilador está funcionando en reversa, la pestaña de seguridad (GG) se enganchará y evitará que el ventilador se caiga.

- ❑ Quita el tornillo de fijación (HH) girándolo en sentido contrario a las manecillas del reloj.
- ❑ Instala el tubo bajante (B) insertándolo en el collarín del motor (FF) y girándolo en el sentido de las manecillas del reloj hasta que quede apretado.
- ❑ Vuelve a instalar el tornillo de fijación (HH) girándolo en el sentido de las manecillas del reloj hasta quedar apretado.



Ensamblaje - Cómo colgar el ventilador

1 Cómo fijar el ventilador a la caja eléctrica

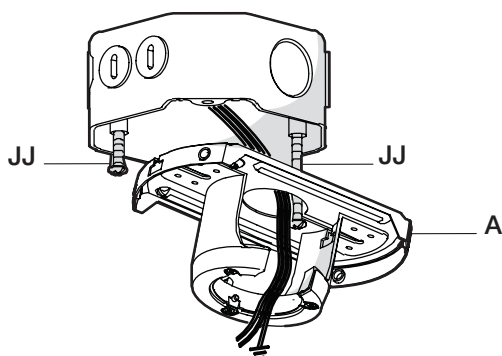


ADVERTENCIA: Para reducir el riesgo de incendio, descarga eléctrica o lesiones personales, instala sólo en caja eléctrica clasificada como “apropiada para sostener ventiladores de 35 lb 15.9 kg) o menos”, y usa sólo los tornillos incluidos con la caja eléctrica.



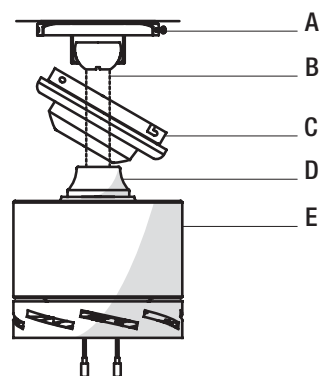
NOTA: El soporte de montaje (A) está diseñado para ser colocado sobre una caja eléctrica con los tornillos de esta (JJ) ya instalados.

- Afloja los dos tornillos de montaje (JJ) de la caja eléctrica.
- Pasa los cables de suministro de 120 voltios a través del orificio central en el soporte de montaje (A).
- Desliza el soporte de montaje (A) en los tornillos de montaje (JJ) y centra el soporte (A) en relación con la caja eléctrica. Si es necesario, usa arandelas niveladoras (no se incluyen) entre el soporte de montaje deslizante (A) y la caja eléctrica. El lado plano del soporte de montaje deslizante (A) debe mirar hacia la caja eléctrica, como se muestra.
- Ajusta firmemente los dos tornillos de montaje (JJ).



2 Cómo colgar el ventilador

- Con cuidado, levanta el conjunto del motor del ventilador (E) hasta el soporte de montaje deslizante (A).
- Inserta la bola del ensamblaje de tubo bajante/bola en el casquillo del soporte de montaje deslizante (A).
- Gira el ensamblaje de tubo bajante/bola en el sentido de las manecillas del reloj hasta que quede encajado y con la pestaña del soporte de montaje deslizante (A) alineada con la ranura de la bola.



Ensamblaje - Cómo colgar el ventilador (continuación)

3 Cómo hacer las conexiones eléctricas



ADVERTENCIA: Cada cable no suministrado con este ventilador debe estar diseñado para aceptar hasta un cable eléctrico doméstico calibre 12 y dos cables del ventilador. Si tienes un cableado doméstico que exceda del calibre 12 o más de un cable doméstico para conectar al cableado del ventilador, consulta a un electricista para el tamaño adecuado de las tuercas para cables a usar.

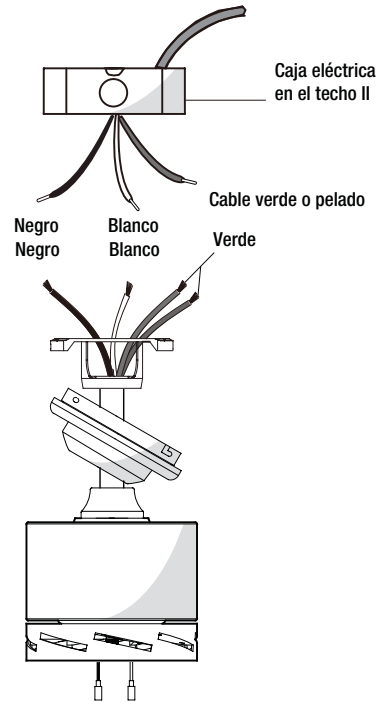


IMPORTANTE: Usa los conectores de cables plásticos (BB) incluidos con tu ventilador. Sujeta los conectores con cinta de electricista y asegura que no haya conexiones ni cables sueltos.



NOTA: El ventilador viene con cables terminales de 1.98 m para usar con un ensamblaje extendido de tubo bajante/bola. Si usas el ensamblaje de tubo bajante/bola (B) de 15.2 cm incluido, puedes recortar los cables terminales al largo deseado (no menos de 30.5 cm).

- El ventilador viene con cables terminales de 1.98 m para usar con un ensamblaje extendido de tubo bajante/bola. Si usas el ensamblaje de tubo bajante/bola (B) de 15.2 cm incluido, puedes recortar los cables terminales al largo deseado (no menos de 30.5 cm). Esto dejará más espacio en la cubierta (C). Si no quieres cortar los cables, deberás enrollarlos cuidadosamente.
- Conecta los cables verdes del motor del ventilador al cable verde o pelado del hogar usando una tuerca de conexión de cables (BB).
- Conecta los cables blancos del motor del ventilador al cable blanco del hogar usando una tuerca de conexión de cables (BB).
- Conecta los cables negros del motor del ventilador al cable negro del hogar usando una tuerca de conexión de cables (BB).
- Asegura cada tuerca de conexión de cables con cinta de electricista.
- Gira la tuerca de conexión de cables (BB) hacia arriba y coloca el cableado dentro de la caja eléctrica (II).



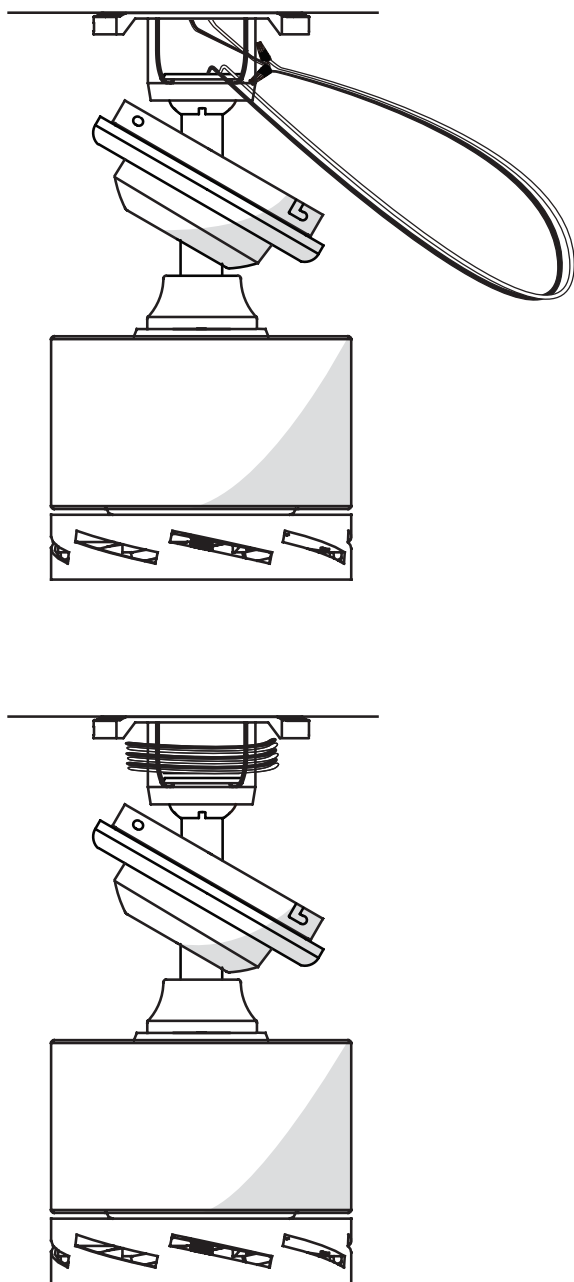
Ensamblaje - Cómo colgar el ventilador (continuación)

4 Cómo enroscar el cable sobrante



NOTA: Sigue estos pasos SOLO si no cortaste el cable sobrante del ventilador de techo.

- Con cuidado, enrolla el exceso de cable alrededor del soporte de montaje.
- Asegura con cinta de electricista.



5 Cómo montar el conjunto del motor del ventilador (montaje estándar)

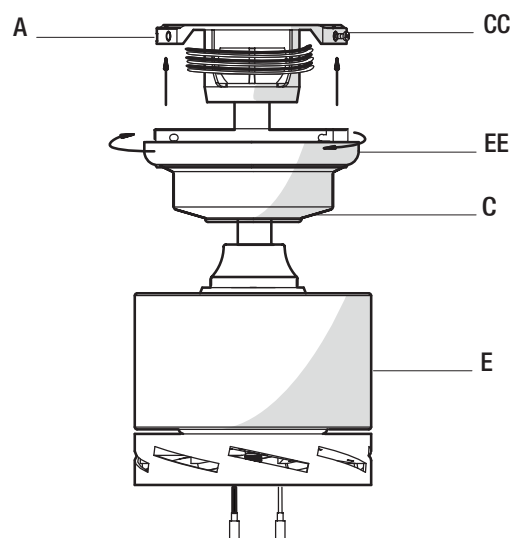


ADVERTENCIA: Cuando uses el montaje estándar del tubo bajante/bola, la pestaña en el aro en la parte inferior del soporte de montaje tiene que encajar en la ranura de la bola de soporte. Si la pestaña no se asienta correctamente en la ranura, se puede dañar el cableado.



ADVERTENCIA: Las ranuras de cierre de la cubierta del techo sólo sirven de ayuda durante la instalación. No dejes sin supervisión el ensamblaje del ventilador hasta que los cuatro tornillos de la cubierta estén fijos y firmemente apretados.

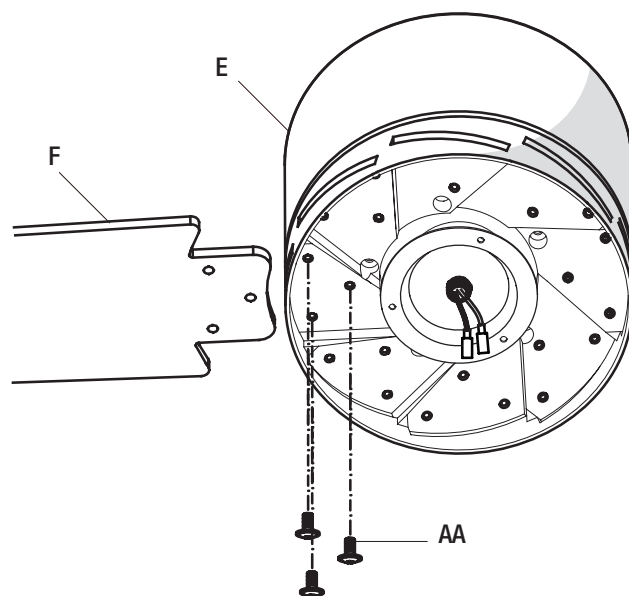
- Alinea las ranuras de cierre de la cubierta de techo (C) con los dos tornillos (CC) del soporte de montaje deslizante (A). Alza para enganchar las ranuras y gira en el sentido de las manecillas del reloj para asegurar la cubierta (C) en su lugar.
- Ajusta firmemente los dos tornillos de montaje (CC).
- Instala los dos tornillos de montaje (guardados en el paso 1 del ensamblaje, "Cómo preparar la instalación") en los orificios de la cubierta (C) y aprieta firmemente.
- Instala el aro (EE) de la cubierta decorativa alineando las ranuras del aro con los tornillos en la cubierta (C). Rota el aro de la cubierta (EE) en sentido contrario a las manecillas del reloj para fijarlo en su lugar.



Ensamblaje - Cómo colgar el ventilador (continuación)

5 Cómo fijar las aspas del ventilador

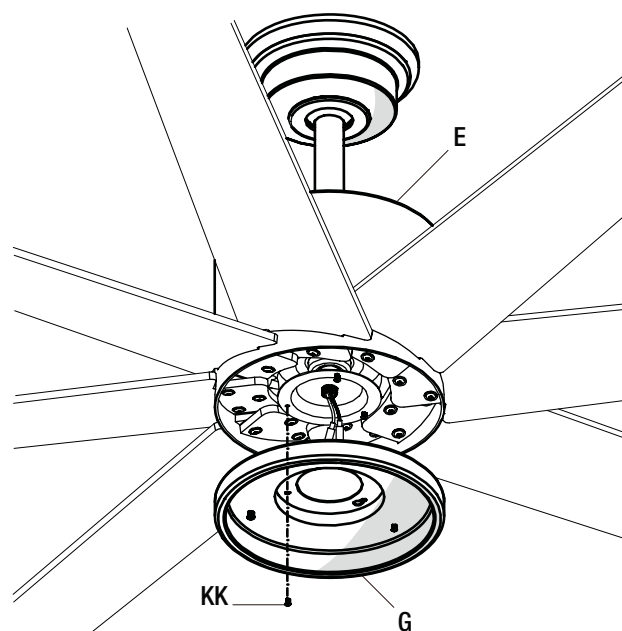
- Asegura el aspa (F) al conjunto motor -ventilador (E) insertando el aspa (F) en las ranuras del costado de la carcasa del motor y alineando los tres orificios de tornillo en el aspa con los orificios en el volante central; asegura con tornillos (AA).
- Asegura que todos los tornillos estén firmemente apretados.
- Repite estos pasos para ensamblar las aspas restantes.



Ensamblaje – Cómo montar los accesorios

1 Cómo instalar la carcasa del kit de luces

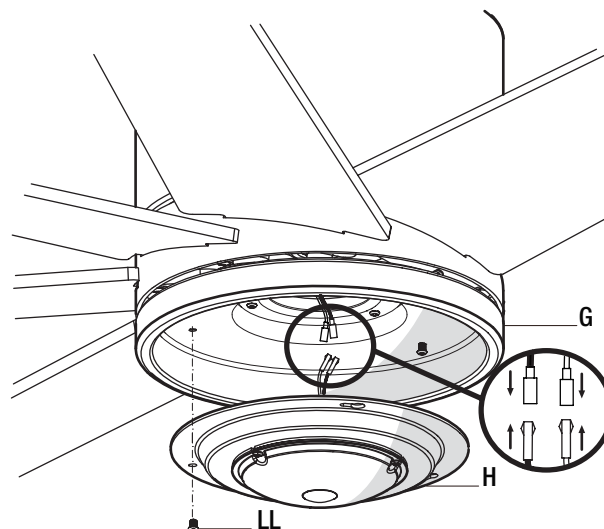
- Quita un tornillo (KK) del soporte negro bajo el ensamblado del motor del ventilador (E) y afloja los otros dos tornillos, pero sin quitarlos.
- Empuja la carcasa del kit de luces (G) hacia el ensamblado del motor (E), de manera que los dos tornillos aflojados encajen en los orificios tipo ojo de cerradura. Gira la carcasa del kit de luces (G) en el sentido de las manecillas del reloj.
- Reinstala el tornillo (KK) que retiraste en el paso 1.
- Asegura que todos los tornillos estén firmemente apretados.



Ensamblaje – Cómo montar los accesorios

2 Cómo instalar el ensamblaje del soporte del kit de luces

- ❑ Quita un tornillo (LL) de la carcasa del kit de luces y afloja los otros dos tornillos, pero sin quitarlos.
- ❑ Conecta el cable azul que sobresale por debajo del conjunto motor- ventilador (E) con el cable negro de la parte superior del ensamblado del soporte del kit de luces (H).
- ❑ Conecta el cable blanco que sobresale por debajo del conjunto motor-ventilador (E) con el cable blanco de la parte superior del ensamblado del soporte del kit de luces (H).
- ❑ Empuja el ensamblaje del soporte del kit de luces (H) hacia la carcasa del kit de luces, de manera que los dos tornillos aflojados encajen en las ranuras tipo ojo de cerradura. Gira el conjunto del soporte del kit de luces (H) en el sentido de las manecillas del reloj para asegurarlo.
- ❑ Reinstala el tornillo que retiraste en el paso 1.
- ❑ Asegura que todos los tornillos estén firmemente apretados.

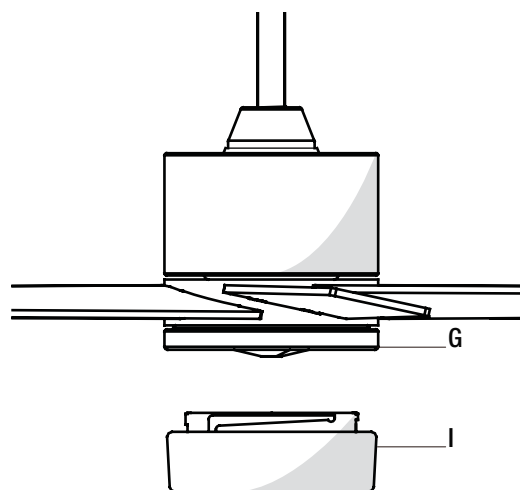


3 Cómo instalar la pantalla



ADVERTENCIA: No aprietes demasiado al instalar la pantalla en el ensamblaje del kit de luces. Espera que la pantalla se enfríe completamente antes de retirarla.

- ❑ Coloca la pantalla de vidrio (I) en el kit de luces, alineando las tres áreas planas en la parte superior de la brida de la pantalla de vidrio (I) con las tres muescas salientes del kit de luces. Gira la pantalla en el sentido de las manecillas del reloj hasta que se detenga.



Cómo usar tu ventilador y el control remoto

Cómo instalar las baterías

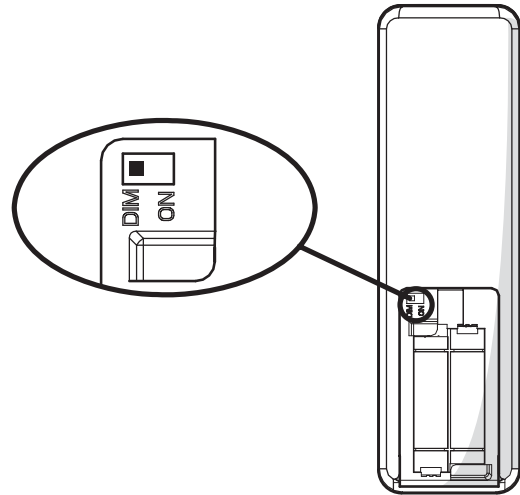


NOTA: La batería se debilitará con el tiempo y deberá ser reemplazada antes de que se produzca alguna fuga, ya que esto dañará el control remoto. Desecha la batería adecuadamente y mantenla fuera del alcance de los niños.



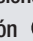
NOTA: El control remoto se envía desde la fábrica con el interruptor en línea hacia la opción DIM (regular). La capacidad de regulación de la luz se perderá si el interruptor en línea pasa a la posición ON (encendido).

- ❑ Quita la cubierta de la batería presionando con firmeza en la flecha y deslizando la cubierta hasta soltarla.
- ❑ Instala 2 baterías AAA de 1.5 V (incluidas).
- ❑ Coloca de nuevo la cubierta en el control remoto.



Proceso de memorización




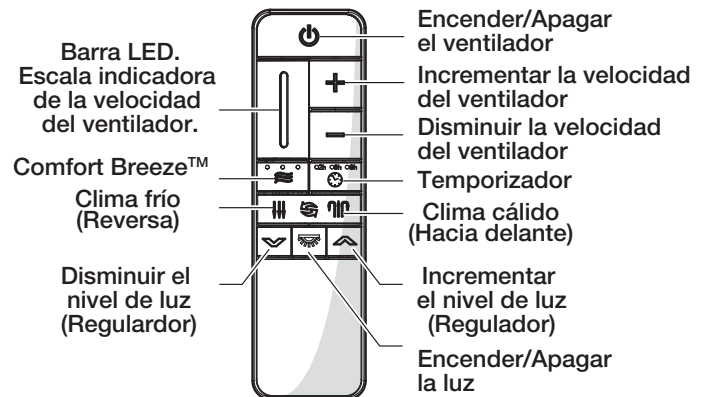
NOTA: Después de que la corriente alterna (CA) está encendida, no presiones ningún otro botón del control remoto antes de presionar el botón  (FAN ON/OFF). Si lo haces, el procedimiento puede fallar.



NOTA: El control remoto puede memorizar múltiples receptores. Asegura que ningún otro receptor esté funcionando durante el proceso de memorización. Separa los interruptores de corriente del ventilador aproximadamente a 2 metros.


Si deseas usar otra unidad de control remoto con tu nuevo ventilador, instala una siguiendo los pasos a continuación:

- ❑ Apaga la fuente principal de electricidad para comenzar el proceso de memorización.
- ❑ Vuelve a conectar la electricidad a la unidad.
- ❑ Dentro de los 30 segundos siguientes a encender la CA del ventilador, mantén presionado el botón  por 5 segundos para ingresar la función de memorización. Una vez que el receptor haya detectado la frecuencia establecida, la luz del ventilador parpadeará dos veces, si corresponde. No habrá indicación si tu ventilador no está equipado con una luz.



Cómo usar tu ventilador y el control remoto

1. Botón  del ventilador. Presiona y suelta el  botón para encender o apagar el ventilador.

- Mantén presionado el  botón durante 5 segundos para ingresar a la función de memorización.
- Ventilador encendido. La función de memoria del ventilador reiniciará la velocidad configurada antes de haber cortado el suministro de electricidad. La barra de luz LED mostrará la configuración actual durante 5 segundos después que sueltes el botón.



Nota: Si estás usando el modo Comfort Breeze™, al presionar el botón , este modo se cancelará y se reiniciará el funcionamiento normal del ventilador.

- Ventilador apagado. La función de memoria del ventilador almacenará la configuración actual para la próxima vez que esté en uso.



Nota: Tienes que encender el ventilador antes de usar la función del temporizador.

2 Funciones de velocidad

El botón + aumenta la velocidad del ventilador

- Al presionar y soltar el botón + una vez, la velocidad del ventilador aumentará. Cada incremento en la configuración hará que la barra de luz LED se ilumine un poco más hasta que el ventilador haya alcanzado la configuración de máxima velocidad posible. En ese momento, la barra LED estará completamente iluminada.
- Al mantener oprimido el botón + la velocidad del ventilador se incrementará automáticamente a través de la configuración de velocidades y los incrementos se reflejarán en la barra de luz LED. Cuando la barra de luz LED esté completamente iluminada, el ventilador ha alcanzado la configuración máxima de velocidad.
- Si presionas el botón + en el modo Comfort Breeze™, este modo se cancelará automáticamente y se reiniciará el funcionamiento normal del ventilador.

El botón - reduce la velocidad del ventilador

- Al presionar y soltar el botón - una vez, la velocidad del ventilador disminuirá. Cada descenso en la configuración hará que la barra de luz LED disminuya su intensidad un poco más hasta que el ventilador haya alcanzado la configuración de mínima velocidad posible. En ese momento, la barra LED estará iluminada en un 25% aproximadamente.
- Al mantener oprimido el botón - la velocidad del ventilador disminuirá automáticamente a través de la configuración de velocidades y las disminuciones se reflejarán en la barra de luz LED. Cuando la barra de luz LED esté iluminada en un 25%, el ventilador ha alcanzado la configuración mínima de velocidad.
- Si presionas el botón - en el modo Comfort Breeze™, este modo se cancelará automáticamente y se reiniciará el funcionamiento normal del ventilador.

3. Comfort Breeze™

Hay tres configuraciones de Comfort Breeze™. Al presionar el botón , se activará el modo Comfort Breeze™ y la barra de luz LED se iluminará lentamente desde abajo hasta arriba para mostrar la configuración actual.

- Configuración 1: Alterna entre las velocidades 1 a 3 y la barra de luz LED deberá iluminarse hasta un 33% aproximadamente.
- Configuración 2: Alterna entre las velocidades 1 a 6 y la barra de luz LED deberá iluminarse hasta un 66% aproximadamente.
- Configuración 3: Alterna entre las velocidades 1 a 9 y la barra de luz LED deberá iluminarse completamente.

Apagado

Configuración 1

Configuración 2

Configuración 3

Deshabilitar Comfort Breeze™



Cómo usar tu ventilador y el control remoto

4. Temporizador ⌚

- Al presionar el botón Timer, el ventilador y la luz (si está encendida) se apagarán automáticamente después de 2, 4 u 8 horas. Cuando activas el modo Timer, se iluminará la luz LED a la izquierda del tiempo sobre el reloj en la parte superior.

Apagado 2H 4H 8H Deshabilitar el temporizador



5. Botón de reversa del ventilador (Tiene que presionarse cuando el ventilador esté funcionando)

- Clima cálido: ☀️ La barra de luz LED se iluminará y las luces irán de alta a baja intensidad.
- Clima frío: ❄️ La barra de luz LED se iluminará y las luces irán de baja a alta intensidad.

6. Luces 🏠

- Oprime y suelta el botón Light para encender o apagar la luz.
- Luz encendida: La función de memoria del ventilador reiniciará la configuración de luz (encendida, apagada o regulada) antes de haber cortado el suministro de energía.

7. Regulador de intensidad.

- Presiona ⬆️ para incrementar el nivel de luz deseado.
- Presiona ⬇️ para reducir el nivel de luz deseado.

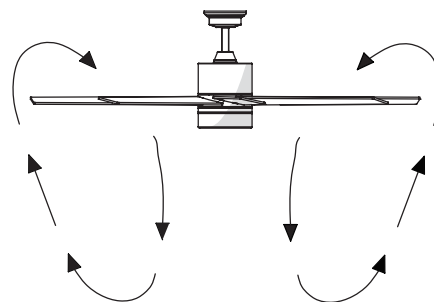
Control Remoto: Tu ventilador está equipado con un control remoto que controla la velocidad y las luces de tu ventilador de techo.

Las configuraciones de velocidad para clima cálido o frío dependen de factores como el tamaño de la habitación, la altura del techo, la cantidad de ventiladores y otras.

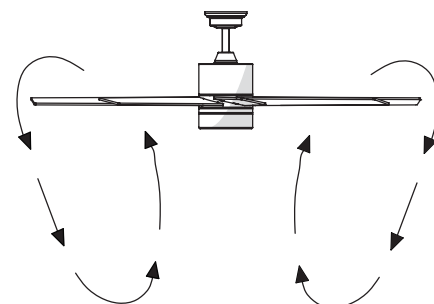
A. Clima cálido: (Hacia delante) Un flujo de aire descendente surte un efecto refrescante. Esto te permite fijar tu aire acondicionado en una configuración más alta sin afectar tu comodidad.

B. Clima frío: (Reversa) Un flujo de aire hacia arriba desplaza el aire cálido del techo. Esto te permite fijar tu unidad de calefacción en una configuración más baja sin afectar tu comodidad.

A. Clima cálido



B. Clima frío



NOTA: No esperes a que el ventilador se detenga antes de presionar el botón de reversa. Si el ventilador no está en movimiento, no cambiará de dirección.

Mantenimiento y limpieza



ADVERTENCIA: Asegúrate de que la electricidad esté apagada antes de limpiar el ventilador.

- Por causa del movimiento natural del ventilador, algunas conexiones pueden aflojarse. Revisa dos veces al año las conexiones de soporte, los soportes y los accesorios de las aspas. Verifica que estén seguros. No es necesario desmontar el ventilador del cielo raso.
- Limpia el ventilador con frecuencia para que luzca como nuevo al paso de los años. No uses agua al limpiar. Esto puede dañar el motor o la madera e incluso es posible que provoque descarga eléctrica. Usa sólo un cepillo suave o un paño sin pelusas para evitar arañar el acabado.
- Puedes aplicar a la madera una fina capa de pulimento para muebles y dar así más protección y belleza. Cubre los arañazos pequeños con una leve aplicación de lustrador para calzado.
- No necesitas lubricar el ventilador. El motor tiene cojinetes de bola sellados y permanentemente lubricados.

Solución de problemas

Problema	Solución
El ventilador no enciende.	<ul style="list-style-type: none"><input type="checkbox"/> Verifica los fusibles o cortacircuitos principales y secundarios.<input type="checkbox"/> Verifica las conexiones de cables en línea al ventilador y de cables del interruptor en la caja de interruptores.<input type="checkbox"/> Revisa la batería del control remoto.<input type="checkbox"/> Asegura el rango normal de 3 a 6 metros.<input type="checkbox"/> Recuerda desconectar la electricidad antes de verificar las configuraciones del interruptor.
El ventilador hace ruido.	<ul style="list-style-type: none"><input type="checkbox"/> Asegura que todos los tornillos de la carcasa del motor estén ajustados.<input type="checkbox"/> Asegura que los tornillos que unen el soporte de aspa al cuerpo del motor estén bien apretados.<input type="checkbox"/> Asegura que las conexiones de tuerca de cable no choquen unas con otras ni con la pared interior de la caja del interruptor.<input type="checkbox"/> Espera que transcurra un período de “adaptación” de 24 horas. En ese período desaparecen la mayoría de los ruidos asociados con un ventilador nuevo .<input type="checkbox"/> Si usas el kit de luces de ventilador de techo, asegúrate de que los tornillos que sujetan el vidrio estén bien colocados. Verifica que las bombillas estén bien aseguradas.<input type="checkbox"/> Asegura que la cubierta esté a corta distancia del cielo raso. No debe tocar el cielo raso.<input type="checkbox"/> Asegura que la caja eléctrica esté bien ajustada y que las almohadillas aislantes de goma se hayan instalado entre la placa de montaje y la caja eléctrica.
El ventilador oscila.	<ul style="list-style-type: none"><input type="checkbox"/> Verifica que todas las aspas y los tornillos de sus brazos estén bien ajustados.<input type="checkbox"/> La mayoría de los problemas de oscilación del ventilador se deben a que las aspas no están al mismo nivel. Verifica este nivel seleccionando un punto en el cielo raso sobre la punta de una de las aspas. Mide desde un punto en el centro de cada aspa a un punto en el techo. Rota el ventilador hasta que la siguiente aspa esté en posición para medir y mide desde el mismo punto en cada aspa hasta el cielo raso. Repite el procedimiento para cada aspa. Las desviaciones de la medición no deben pasar de 0.3 cm (1/8 de plg). Enciende el ventilador durante diez minutos. Si el ventilador continúa oscilando, comunícate con el servicio al cliente y te enviarán un kit de compensación de aspas, sin costo alguno.

HOME DECORATORS COLLECTION

¿Preguntas, problemas o piezas faltantes? Antes de devolver a la tienda,
llama al servicio al cliente de The Home Depot
De lunes a viernes, entre 8:00 a.m. y 7:00 p.m. (hora estándar del Este),
y los sábados de 9:00 a.m. a 6:00 p.m. (hora estándar del Este).

1-800-986-3460

[HOMEDEPOT.COM/HOMEDECORATORS](https://www.homedepot.com/homedecorators)

Conserva este manual para uso futuro.