

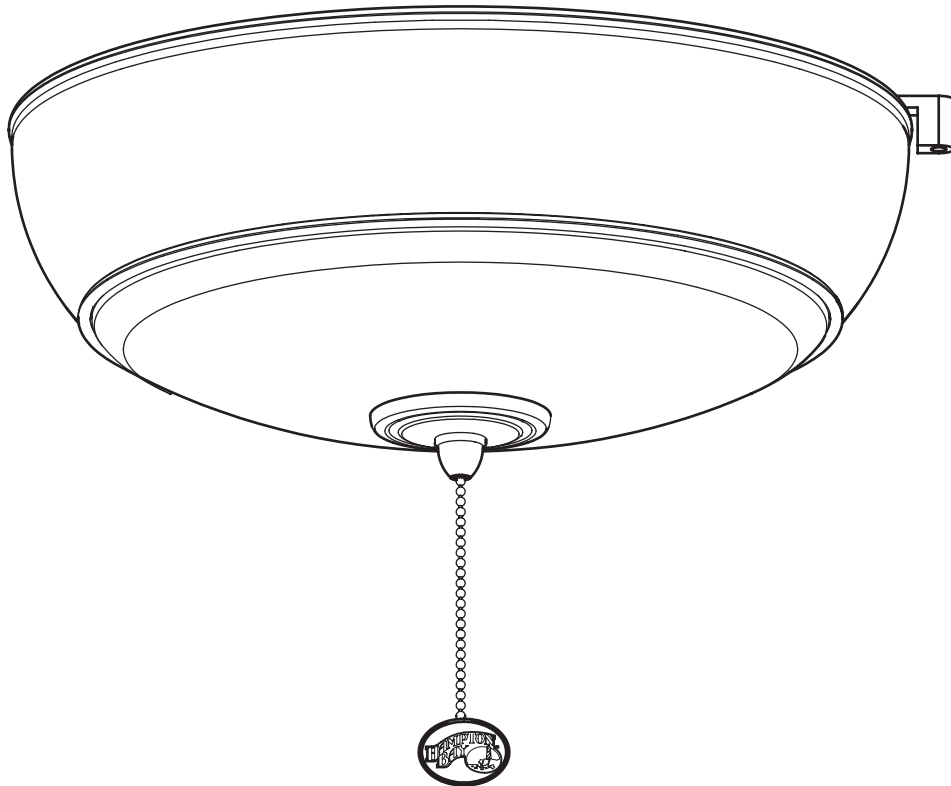


Item #xxx-xxx  
Model #28556/28557/28558/28559  
ETL Model #28556/28557/28558/28559

## USE AND CARE GUIDE

---

### UNIVERSAL AUDIO LIGHT KIT WITH BLUETOOTH® TECHNOLOGY



Questions, problems, missing parts? Before returning to the store,  
call Hampton Bay Customer Service  
8 a.m. - 6 p.m., EST, Monday-Friday.

1-855-HD-HAMPTON

HAMPTONBAY.COM

---

#### THANK YOU

*We appreciate the trust and confidence you have placed in Hampton Bay through the purchase of this light kit. We strive to continually create quality products designed to enhance your home. Visit us online to see our full line of products available for your home improvement needs.*

*Thank you for choosing Hampton Bay!*

# Table of Contents

Table of Contents .....	2	Pre-Installation .....	3
Safety Information .....	2	Installation.....	4
Warranty .....	2		

# Safety Information

## READ AND SAVE THESE INSTRUCTIONS.



**CAUTION:** To reduce the risk of electrical shock, before starting installation, disconnect the power by turning off the circuit breaker or removing the fuse at the fuse box. Turning the power off using the fan switch is not sufficient.



**CAUTION:** All glass is fragile, use care when handling the glass bowl.



**CAUTION:** To avoid accidental burning, allow the bulb and glass bowl to cool completely before touching or replacing the glass bowl or bulbs.



**CAUTION:** To reduce the risk of electrical shock, this light should be used only with the fan models listed below:

Models: 728-046, 513-394, 513-708

Manufactured by company:

Chein Luen Industries (Zhongshan) LTD



**CAUTION:** To reduce the risk of electrical shock, The Universal Light Kit with Bluetooth® Technology suitable to be used in damp locations.



**WARNING:** Changes or modifications to this unit not expressly approved by the party responsible for compliance could void the user's authority to operate the equipment.

# Warranty

The supplier warrants the light kit to be free from defects in workmanship and material present at time of shipment from the factory for one year after the date of purchase by the original purchaser. The supplier also warrants that all other light kit parts, excluding any glass, to be free from defects in workmanship and material at the time of shipment from the factory for a period of three years after the date of purchase by the original purchaser. We agree to correct such defects without charge or at our option replace with a comparable or superior model if the product is returned. To obtain warranty service, you must present a copy of the receipt as proof of purchase. All costs of removing and reinstalling the product are your responsibility. Damage to any part such as by accident, misuse, improper installation or by affixing any accessories, is not covered by this warranty. Because of varying climatic conditions this warranty does not cover any changes in brass finish, including rusting, pitting, corroding, tarnishing, or peeling. Brass finishes of this type give their longest useful life when protected from varying weather conditions. Servicing performed by unauthorized persons shall render the warranty invalid. There is no other express warranty. Hampton Bay hereby disclaims any and all warranties, including but not limited to those of merchantability and fitness for a particular purpose to the extent permitted by law. The duration of any implied warranty which cannot be disclaimed is limited to the time period as specified in the express warranty. Some states do not allow a limitation on how long an implied warranty lasts, so the above limitation may not apply to you. The retailer shall not be liable for incidental, consequential, or special damages arising out of or in connection with product use or performance except as may otherwise be accorded by law. Some states do not allow the exclusion of incidental or consequential damages, so the above exclusion or limitation may not apply to you. This warranty gives specific legal rights, and you may also have other rights which vary from state to state. This warranty supersedes all prior warranties. Shipping costs for any return of product as part of a claim on the warranty must be paid by the customer.

Contact the Customer Service Team at 1-855-HD-HAMPTON or visit [www.hamptonbay.com](http://www.hamptonbay.com).



FCC ID: RGB-ADBTLK2855X This device complies with part 15 of the FCC rules. Operation is subject to the following two conditions (1) this device may not cause harmful interference, and (2) this device must accept any interference received, including interference that may cause undesired operation. Changes or modifications not expressly approved by the party responsible for compliance could void the user's authority to operate the equipment.

# Pre-Installation

## TOOLS REQUIRED



⊕  
Phillips  
screwdriver



Electrical  
tape

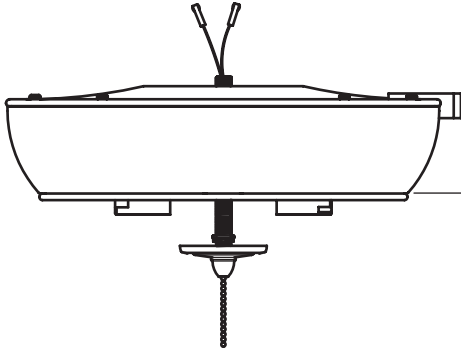


Wire  
cutter



Step  
ladder

## PACKAGE CONTENTS



A



B



C

Part	Description	Quantity
A	Light kit fitter assembly	1
B	Light bulbs, 14W CFL's	2
C	Glass bowl	1

## HARDWARE INCLUDED



AA



BB



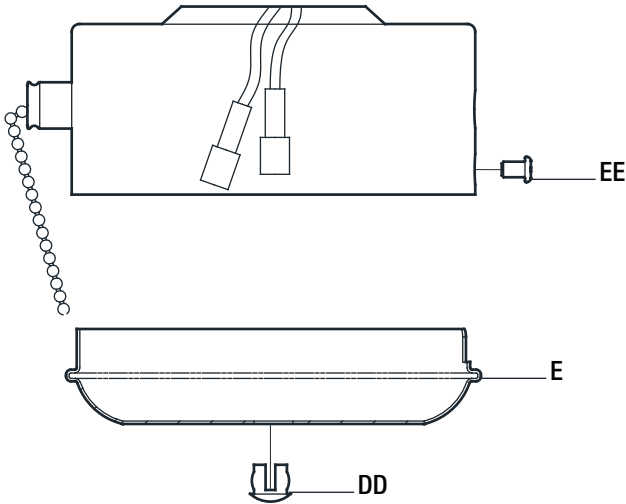
CC

Part	Description	Quantity
AA	Hex nut	1
BB	Lockwasher	1
CC	Pull Chain	2

# Installation - Ceiling Fan Light Kit

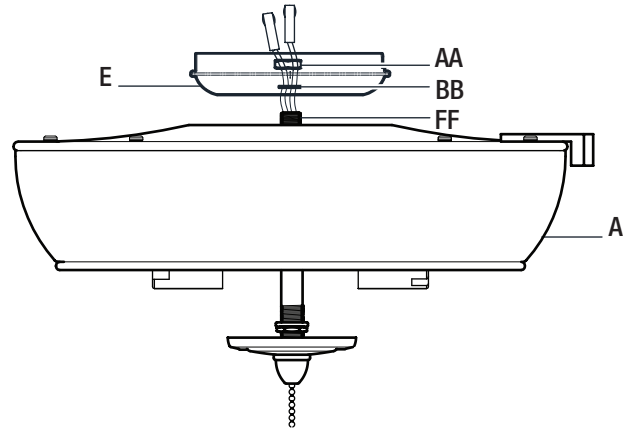
## 1 Preparing the fan

- Remove the ceiling fan switch cup cover (E) from the ceiling fan assembly by removing the three mounting screws (EE).
- Remove the center plug (DD) from the switch cup cover (E).



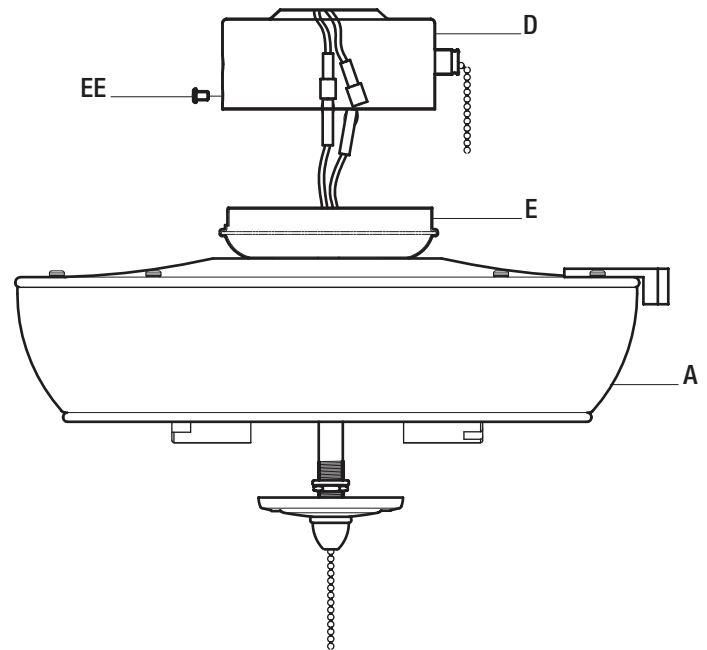
## 2 Preparing the light kit

- Insert the black wire and white wire from the light kit through the center hole of the ceiling fan switch cup cover (E).
- Thread the ceiling fan switch cup cover (E) onto the threaded nipple (FF) on the top of the light kit (A).
- Take out the lockwasher (BB) and hex nut (AA) from the hardware pack. Inert the black wire and white wire through the lockwasher (BB) and hex nut (AA), tighten them securely.



## 3 Wiring the light kit to the fan

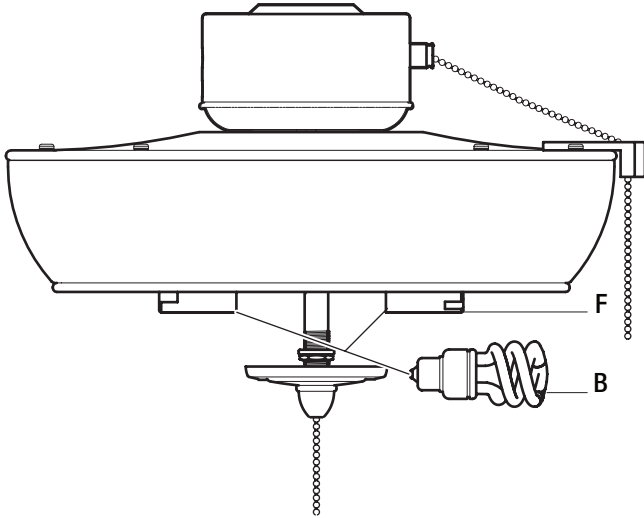
- Locate the blue and white wires inside the ceiling fan switch cup (D) for light connection.
- Connect the blue wire from the ceiling fan switch cup to the black wire from the light kit (A).
- Connect the white wire from the ceiling fan switch cup to the white wire from the light kit (A) by connecting the molded plugs together.
- Reattach the switch cup cover (E) to the ceiling fan switch cup (D) and secure with the screws (EE) that were removed in step 1.



# Installation (continued)

## 4 Installing the bulbs

- Install two 14 watt Medium base CFL bulbs (B) (provided) into the light kit bulb sockets (F).

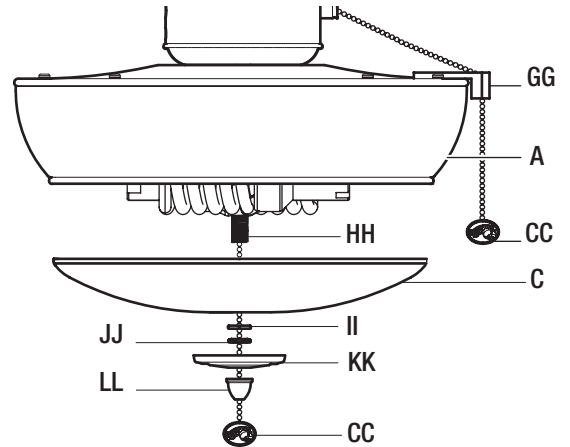


## 5 Installing the glass bowl for fans with pull chains



**CAUTION:** Do not over-tighten the hex nut. Over-tightening the hex nut may cause the glass bowl (C) to crack or break.

- Pass the fan switch chain through the hole of the pull chain guide (GG).
- Remove the pre-installed finial (LL), outer bowl cap (KK), hex nut (JJ) and rubber washer (II) from the light kit (A) and save them for later use.
- Align the glass bowl (C) over the threaded nipple (HH) and raise the glass bowl up to the light kit (A).
- Pass the chain through rubber washer (II), hex nut (JJ) and tighten them with the screw driver.
- Pass the chain through the outer bowl cap (KK) and align it on the threaded nipple (HH) and lock it with the finial (LL) by finger tight.
- Attach the pull chain extensions (CC) to the light switch chain and the fan switch chain.

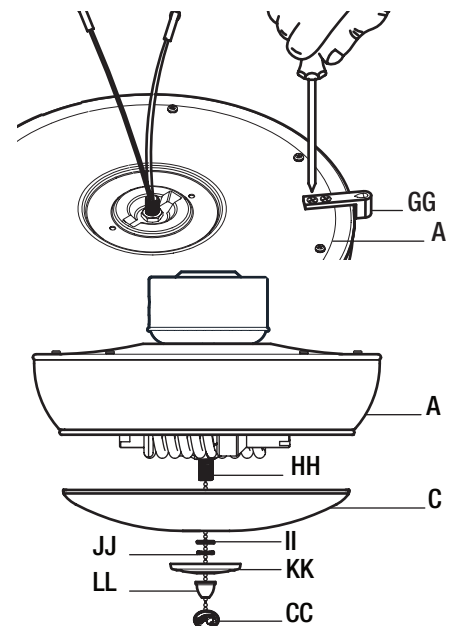


## 6 Installing the glass bowl for fans without pull chains



**CAUTION:** Do not over-tighten the hex nut. Over-tightening the hex nut may cause the glass bowl (C) to crack or break.

- Before installing the light kit (A) to the fan, remove the pull chain guide (GG) with screw driver from the top cover.
- Follow steps 1-4 to install the light kit to the fan and bulbs to the light kit.
- Remove the pre-installed finial (LL), outer bowl cap (KK), hex nut (JJ) and rubber washer (HH) from the light kit (A) and save them for later use.
- Align the glass bowl (C) over the threaded nipple (HH) and raise the glass bowl up to the light kit (A).
- Pass the chain through the rubber washer (II), hex nut (JJ) and tighten them with a screw driver.
- Pass the chain through the outer bowl cap (KK) and align it on the threaded nipple (HH) and lock it with the finial (LL). Finger tighten.
- Attach the pull chain extensions (CC) to the light switch chain.



## 1 Bluetooth® Pairing



**NOTE:** The Universal Light Kit with Bluetooth® Technology is compatible with iPhone, iPad, Android, Blackberry, or similar devices whose Bluetooth protocol is compatible with 3.0+EDR protocol. To pair, ensure the light kit is powered up.

- ❑ Pull the chain switch of the light kit to ensure the light kit is powered up. The Bluetooth® function turns on automatically.
- ❑ On your Bluetooth® device, search for a new Bluetooth® device called “Audio Light \*\*\*\*” under the list of devices available. Please note that \*\*\*\* is a number that corresponds to your specific audio light kit.
- ❑ If you are asked for a password, enter ‘1234’. Pairing is successful when you hear a short confirmation tone from the audio light kit.
- ❑ Start streaming audio from your music source.
- ❑ When the audio light kit is turned on, it will automatically search for the last device it was connected to if the device is within the efficient range. Most of the Bluetooth® audio sources support this function, but some of them might not. In this case, you must manually set up the connection again. If the previous Bluetooth® device is not available, the audio light kit will search for new devices.
- ❑ For some Bluetooth® devices and mobile phones, ‘Stereo Speaker’ mode should be enabled to stream audio wirelessly.
- ❑ The audio light kit is compatible with the 3.0+EDR protocol. Full Bluetooth® functionality and volume control cannot be guaranteed if the audio source has an older Bluetooth protocol.
- ❑ To pair to a new Bluetooth® device, you need to disable the current paired device. Open searching function of the new Bluetooth® device and repeat the pairing steps as previously mentioned.

## 2 Bluetooth® Audio Play

- ❑ Once paired, you will be able to control the playback and volume through your device.
- ❑ If available on your device, access the sound settings or equalizer settings. Selecting the correct audio profile or sometimes turning on the equalizer will improve the quality and maximum volume of the playback.
- ❑ If you wander out of range of the Bluetooth® device, simply move closer to the audio light kit. No pairing actions will be needed if the lost connection; the devices will regain the lost connection automatically.
- ❑ The Universal Light Kit with Bluetooth® Technology features a built-in privacy mode which disconnects speaker playback when a phone call is being received from the device. It will automatically resume playback when the call is completed.



**NOTE:** This equipment has been tested and found to comply with the limits for a Class B digital device, pursuant to Part 15 of the FCC Rules and a Consumer ISM equipment, pursuant to Part 18 of the FCC Rules. These limits are designed to provide reasonable protection against harmful interference in a residential installation. This equipment generates, uses and can radiate radio frequency energy and, if not installed and used in accordance with the instructions, may cause harmful interference to radio communications. This product may cause interference to radio equipment and should not be installed near maritime safety communications equipment, ships at sea or other critical navigation or communications equipment operating between 0.45-30 MHz. However, there is no guarantee that interference will not occur in a particular installation. If this equipment does cause harmful interference to radio or television reception, which can be determined by turning the equipment off and on, the user is encouraged to try to correct the interference by one or more of the following measures:

- ❑ Reorient or relocate the receiving antenna.
- ❑ Increase the separation between the equipment and receiver.
- ❑ Connect the equipment into an outlet on a circuit different from that to which the receiver is connected.
- ❑ Consult the dealer or an experienced radio/TV technician for help.



Questions, problems, missing parts? Before returning to the store,  
call Hampton Bay Customer Service  
8 a.m. - 6 p.m., EST, Monday-Friday

**1-877-HD-HAMPTON**

**HAMPTONBAY.COM**

Retain this manual for future use.

Net Weight 5.75 Lbs. (2,6 KG)

This device complies with Part 18 of the FCC Rules. Importer: King of Fans Inc., Address: 1951 N.W. 22 STREET FORT LAUDERDALE, FLORIDA 33311



Artículo núm.: xxx-xxx  
Modelo núm.: 28556/28557/28558/28559  
Modelo ETL núm.: 28556/28557/28558/28559

# GUÍA DE USO Y MANTENIMIENTO

## KIT DE LUCES UNIVERSAL CON AUDIO Y TECNOLOGÍA BLUETOOTH®



¿Preguntas, problemas o piezas faltantes? Antes de regresar a la tienda, llama al servicio al cliente de Hampton Bay de lunes a viernes entre 8 a.m. y 6 p.m. (hora estándar del Este).

1-855-HD-HAMPTON

HAMPTONBAY.COM

### GRACIAS

*Apreciamos la confianza que has depositado en Hampton Bay al comprar este kit de luces. Nos esforzamos para continuamente crear productos de calidad diseñados para mejorar tu hogar. Visítanos por Internet para ver nuestra línea completa de productos disponibles para las necesidades de mejoras de tu hogar. ¡Gracias por elegir Hampton Bay!*



# Tabla de contenido

Tabla de contenido .....	2
Información de seguridad.....	2
Garantía .....	2
Preinstalación .....	3
Instalación.....	4

## Información de seguridad

### LEE LAS INSTRUCCIONES Y GUÁRDALAS.



**PRECAUCIÓN:** Para reducir el riesgo de descarga eléctrica, antes de empezar la instalación, apaga el cortacircuitos o retira el fusible en la caja de fusibles para cortar el suministro de electricidad. Cortar el suministro de electricidad con el interruptor del ventilador no es suficiente.



**PRECAUCIÓN:** Todas las piezas de vidrio son frágiles; ten cuidado cuando manipules la pantalla de vidrio.



**PRECAUCIÓN:** Para evitar quemaduras accidentales, espera que la bombilla y la pantalla de vidrio se enfríen completamente antes de tocarlas o reemplazar la pantalla de vidrio o las bombillas.



**PRECAUCIÓN:** Para minimizar el riesgo de incendio y descarga eléctrica, este kit de luces debe usarse sólo con los siguientes modelos de ventilador:

**Modelos:** 728-046, 513-394, 513-708  
**Fabricado por la compañía:**  
Chein Luen Industries (Zhongshan) LTD



**ADVERTENCIA:** Los cambios o modificaciones a esta unidad sin previa aprobación expresa de la parte responsable de su cumplimiento podrían anular el derecho del usuario a operar el equipo.

## Garantía

El proveedor garantiza por uno año, a partir de la fecha en que el comprador original lo adquiera, que el kit de luces no presenta defectos de fabricación ni de materiales al momento en que es enviado desde la fábrica. El proveedor también garantiza por un período de tres años, a partir de la fecha de compra por el comprador original, que todas las demás piezas del kit de luces, sin incluir ninguna de vidrio, no presentarán ningún defecto de fabricación o de material en el momento de su salida de la fábrica. Acordamos reparar todos los defectos del tipo antes mencionado, sin costo alguno o, a nuestra discreción, reemplazar el producto por un modelo de igual calidad o superior si el producto es devuelto. Para obtener servicio de garantía, debe presentar una copia del recibo como comprobante de compra. Todos los costos de retiro y reinstalación del producto son su responsabilidad. Los daños a cualquiera de las piezas como resultado de accidentes, uso inadecuado, instalación inadecuada, o debidos a la instalación de cualquier accesorio, no están cubiertos bajo esta garantía. Debido a que las condiciones climáticas pueden variar, esta garantía no cubre ningún cambio en el acabado en latón, incluyendo óxido, perforación, corrosión, manchas o descascaramiento. Los acabados en latón de este tipo tienen una vida útil más prolongada cuando se les protege de las condiciones climáticas cambiantes. Cualquier servicio realizado por personal no autorizado invalidará la garantía. No existe ninguna otra garantía expresa. Mediante la presente, Hampton Bay se exime de cualquier garantía, incluyendo pero sin limitarse a aquellas de comercialización e idoneidad para un fin particular, de acuerdo a lo contemplado por la ley. La duración de cualquier garantía implícita que no se pueda eximir está limitada al período de tiempo especificado en la garantía explícita. Algunos estados no permiten una limitación en la duración de la garantía, por consiguiente la limitación anterior puede no aplicarse a su caso. El minorista no será responsable por daños directos, indirectos o especiales que resulten o deriven del uso o rendimiento del producto excepto en casos en que lo estipule la ley. Algunos estados no permiten la exclusión o limitación de daños directos o indirectos, por lo que la limitación o exclusión anterior podría no aplicarse a su caso. Esta garantía le otorga derechos legales específicos, y es posible que también tenga otros derechos que varían de un estado a otro. Esta garantía sustituye todas las garantías anteriores. Los costos de envío de cualquier devolución de productos hecha como parte de una reclamación de garantía están a cargo del cliente.

Comuníquese con el equipo de servicio al cliente al 1-855-HD-HAMPTON o visite [www.hamptonbay.com](http://www.hamptonbay.com).



ID de la FCC: RGB-ADBTLK2855X Este dispositivo cumple con la parte 15 de las regulaciones de la FCC. La operación está sujeta a las dos condiciones siguientes: (1) este dispositivo no debe causar interferencia dañina y (2) este dispositivo debe aceptar cualquier interferencia, incluso aquella que pueda afectar su funcionamiento correcto. Los cambios o modificaciones que no estén expresamente aprobados por la parte responsable de su cumplimiento podrían anular el derecho del usuario para operar el equipo.

# Preinstalación

## HERRAMIENTAS NECESARIAS



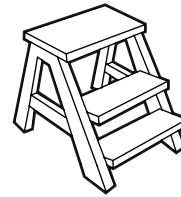
Destornillador  
Phillips



Cinta de  
electricista

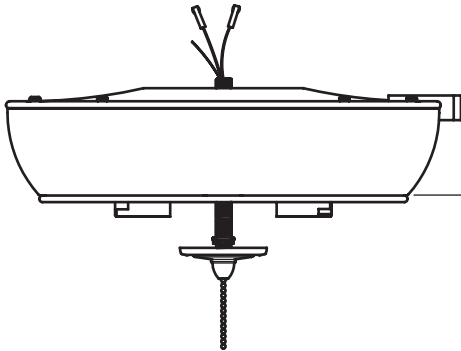


Cortacables



Escalera  
de tijera

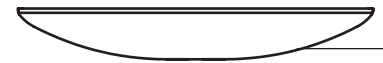
## CONTENIDO DEL PAQUETE



A



B



C

Pieza	Descripción	Cantidad
A	Ensamblaje del soporte del kit de luces	1
B	Bombillas CFL de 14 W	2
C	Pantalla de vidrio	1

## HERRAJES INCLUIDOS



AA



BB



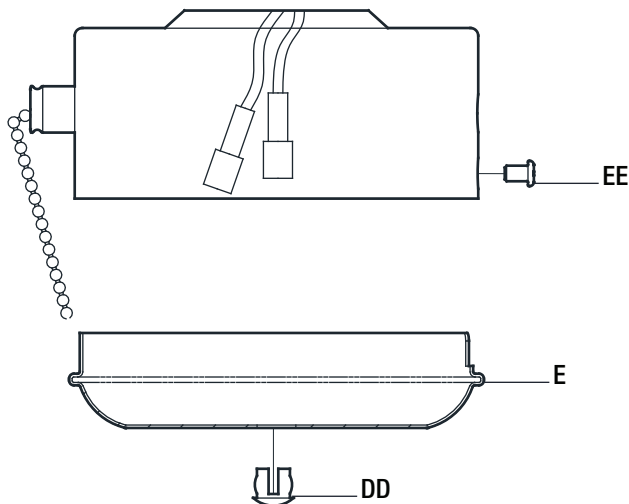
CC

Pieza	Descripción	Cantidad
AA	Tuerca hexagonal	1
BB	Tuerca estriada	1
CC	Interruptor de cadena	2

# Instalación - Kit de luces para ventilador de techo

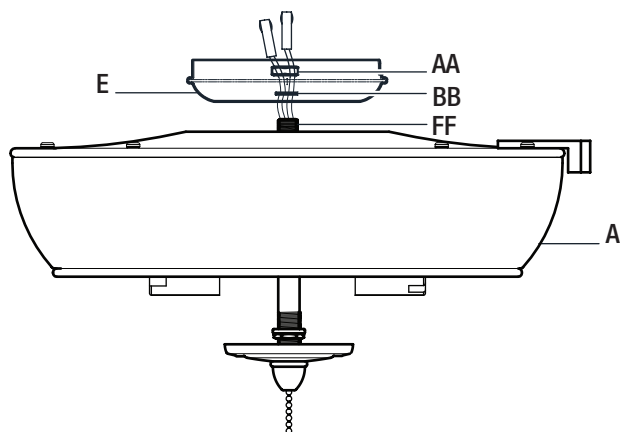
## 1 Cómo preparar el ventilador

- ❑ Retira la cubierta de la caja del interruptor del ventilador de techo (E) del ensamblaje del mismo quitando los tres tornillos de montaje (EE).
- ❑ Retira el tapón central (DD) de la cubierta de la caja del interruptor (E).



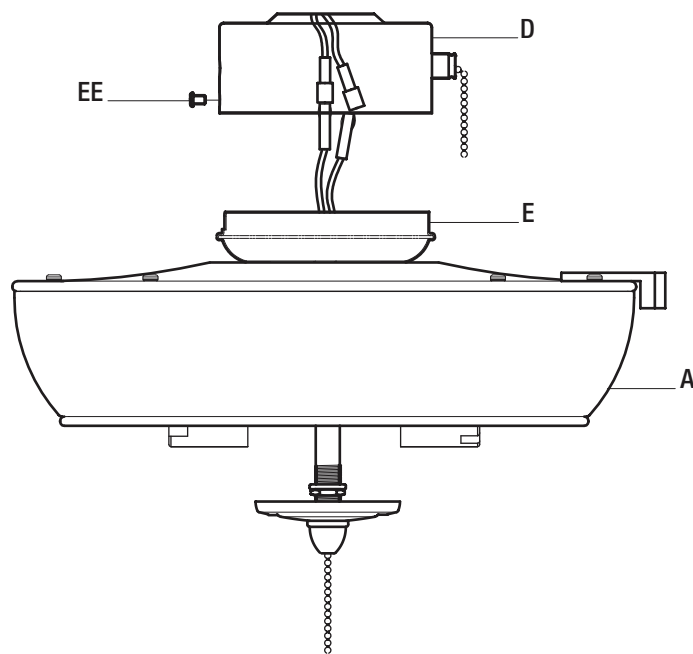
## 2 Cómo preparar el kit de luces

- ❑ Pasa los cables negro y blanco del kit de luces a través del orificio central de la cubierta de la caja del interruptor (E) del ventilador de techo.
- ❑ Enrosca la cubierta de la caja del interruptor (E) del ventilador de techo en la boquilla enroscada (FF) de la parte superior del kit de luces (A).
- ❑ Sacar la arandela de seguridad (BB) y la tuerca hexagonal (AA) del paquete de herrajes. Pasa los cables negro y blanco a través de la arandela de seguridad (BB) y la tuerca hexagonal (AA), y ajústalas completamente.



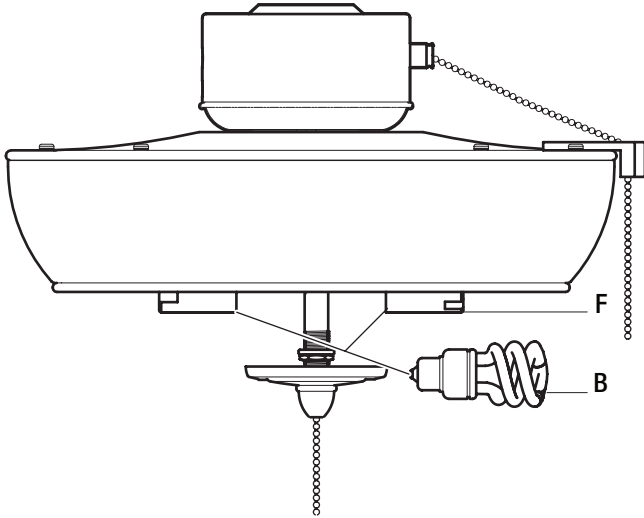
## 3 Cómo instalar el cableado del kit de luces al ventilador

- ❑ Localiza los cables azul y blanco dentro de la caja del interruptor del ventilador de techo (D) para conectar las luces.
- ❑ Conecta el cable azul de la caja del interruptor del ventilador de techo al cable negro del kit de luces (A).
- ❑ Conecta el cable blanco de la caja del interruptor del ventilador de techo al cable blanco del kit de luces (A) conectando los enchufes moldeados juntos.
- ❑ Alinea nuevamente la cubierta de la caja del interruptor (E) con la caja del interruptor del ventilador de techo (D) y fija con los tornillos (EE) retirados en el paso 1.



## 4 Cómo instalar las bombillas

- Instala dos bombillas CFL de 14 W de base media (B) (incluidas) en los portabombillas del kit de luces (F).

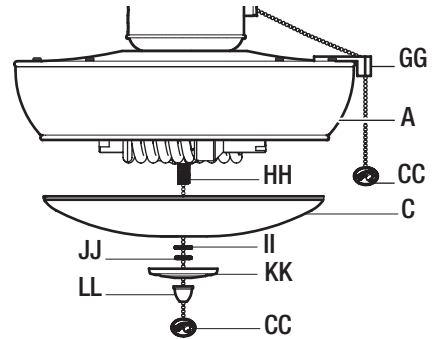


## 5 Cómo instalar la pantalla de vidrio en ventiladores con interruptores de cadena



**PRECAUCIÓN:** No aprietes demasiado la tuerca hexagonal, ya que esto podría provocar que la pantalla de vidrio (C) se agriete o rompa.

- Pasa la cadena del interruptor del ventilador a través del orificio guía del interruptor de cadena (GG).
- Quita el remate preinstalado (LL), la tapa exterior de la pantalla de vidrio (KK), la arandela hexagonal (JJ) y la arandela de goma (II) del kit de luces (A) y guárdalos para usarlos más tarde.
- Alinea la pantalla de vidrio (C) sobre la boquilla enroscada (HH) y levanta la pantalla de vidrio hasta el kit de luces (A).
- Pasa la cadena a través de la arandela de goma (II) y la arandela hexagonal (JJ), apriétalas con un destornillador.
- Pasa la cadena a través de la tapa exterior de la pantalla de vidrio (KK), alinéala con la boquilla enroscada (HH) y asegúrala al remate (LL) apretándola con los dedos.
- Instala las extensiones del interruptor de cadena (CC) a las cadenas del interruptor de la lámpara y del ventilador.

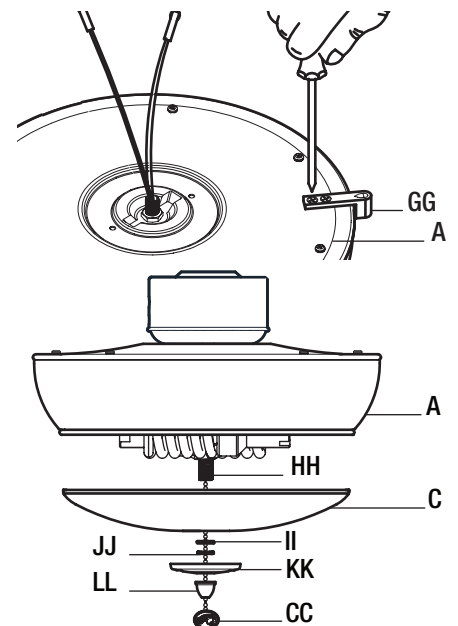


## 6 Cómo instalar la pantalla de vidrio en ventiladores sin interruptores de cadena



**PRECAUCIÓN:** No aprietes demasiado la tuerca hexagonal. Esto podría provocar que la pantalla de vidrio (C) se agriete o rompa.

- Antes de instalar el kit de luces (A) al ventilador, quita la guía del interruptor de cadena (GG) de la parte superior con un destornillador.
- Sigue los pasos 1 al 4 para instalar el kit de luces al ventilador y las bombillas al kit de luces.
- Quita el remate preinstalado (LL), la tapa exterior de la pantalla de vidrio (KK), la arandela hexagonal (JJ) y la arandela de goma (II) del kit de luces (A) y guárdalos para usarlos más tarde.
- Alinea la pantalla de vidrio (C) sobre la boquilla enroscada (HH) y levanta la pantalla de vidrio hasta el kit de luces (A).
- Pasa la cadena a través de la arandela de goma (II) y la arandela hexagonal (JJ) y apriétalas con un destornillador.
- Pasa la cadena a través de la tapa exterior de la pantalla de vidrio (KK), alinéala con la boquilla enroscada (HH) y asegúrala al remate (LL). Aprieta con la mano.
- Instala las extensiones del interruptor de cadena (CC) al interruptor de cadena de la lámpara.



## 1 Emparejamiento con Bluetooth®



**NOTA:** El kit de luces universal con tecnología Bluetooth® es compatible con iPhone, iPad, Android, BlackBerry o dispositivos similares cuyo protocolo Bluetooth sea compatible con el protocolo 3.0+EDR. Para emparejar, asegúrate de que el kit de luces esté cargado.

- Hala el interruptor de cadena del kit de luces para asegurarte de que esté encendido. La función de Bluetooth® se enciende automáticamente.
- En tu dispositivo con Bluetooth®, busca un nuevo dispositivo con Bluetooth® llamado "Audio Light\*\*\*\*" (Luz con audio) bajo la lista de dispositivos disponibles. Ten en cuenta que \*\*\*\* es un número que corresponde específicamente a tu kit de luces con audio.
- Si te solicita una contraseña, ingresa "1234". La conexión ha sido exitosa si oyes un tono corto de confirmación emitido por el kit de luces con audio.
- Comienza a transmitir el audio de tu fuente de música.
- Cuando el kit de luces con audio se enciende, buscará automáticamente el último dispositivo al que haya estado conectado si éste está dentro del rango en que sea posible. La mayoría de las fuentes de audio con Bluetooth® soportan esta función, pero es posible que algunas no. En este caso, debes configurar de nuevo la conexión manualmente. Si el dispositivo con Bluetooth® anterior no está disponible, el kit de luces con audio buscará dispositivos nuevos.
- Para algunos dispositivos con Bluetooth® y teléfonos móviles, debe seleccionarse la modalidad 'Stereo Speaker' (altavoz estéreo) para transmitir el audio de manera inalámbrica.
- El kit de luces con audio es compatible con el protocolo 3.0+EDR. No se pueden garantizar la funcionalidad completa del Bluetooth® ni el control de volumen si la fuente de audio tiene un protocolo Bluetooth más antiguo.
- Para emparejar a un nuevo dispositivo con Bluetooth®, debes deshabilitar el dispositivo actualmente emparejado. Abre la función de búsqueda del nuevo dispositivo con Bluetooth® y repite los pasos de emparejamiento como se mencionó anteriormente.

## 2 Reproducción de audio con Bluetooth®

- Una vez emparejados, podrás controlar la reproducción y el volumen a través de tu dispositivo.
- Si están disponibles en tu dispositivo, accede a las opciones de sonido o las opciones de ecualizador. Seleccionar el perfil de audio adecuado, o en ocasiones encender el ecualizador, mejorará la calidad y el volumen máximo de la reproducción.
- Si te alejas del alcance de tu dispositivo Bluetooth®, simplemente acércate al kit de luces con audio. No será necesario realizar ninguna acción de emparejamiento si hay pérdida de la conexión. El dispositivo recuperará automáticamente la conexión perdida.
- El kit de luces universal con tecnología Bluetooth® tiene una modalidad de privacidad incorporada que desconecta la reproducción en el altavoz cuando el dispositivo recibe una llamada. Reiniciará la reproducción automáticamente cuando la llamada haya terminado.



**NOTA:** Este equipo ha sido probado, determinándose que cumple con los límites establecidos para un dispositivo digital Clase B, de acuerdo con la Parte 15 de las normas de la FCC y un equipo ISM para consumidores, de acuerdo con la Parte 18 de las normas de la FCC. Estos límites han sido diseñados para brindar una protección razonable contra la interferencia perjudicial en una instalación residencial. Este equipo genera, usa y puede irradiar energía de radiofrecuencia y, si no se instala y se usa de acuerdo con las instrucciones, puede causar una interferencia dañina a comunicaciones de ondas radiales. Este producto puede interferir con las transmisiones de un equipo de radio y no debe ser instalado cerca de equipos de comunicaciones de seguridad marítima, barcos en el mar o cualquier otro equipo vital de navegación o comunicaciones que opere en la banda entre los 0.45 a 30 MHz. Sin embargo, no hay garantía de que no ocurrirá interferencia en una instalación particular. Si este equipo causa interferencia perjudicial a la recepción de radio o televisión, lo cual puede determinarse encendiendo y apagando el equipo, se recomienda al usuario que trate de corregir la interferencia con una o más de las siguientes medidas:

Reorientar o reubicar la antena receptora.

- Incrementar la distancia entre el equipo y el receptor.
- Conectar el equipo a un tomacorriente de un circuito distinto al que el receptor esté conectado.
- Consultar al distribuidor o algún técnico de radio/TV con experiencia.



¿Preguntas, problemas o piezas faltantes? Antes de regresar a la tienda, llama al servicio al cliente de Hampton Bay de lunes a viernes, de 8:00 a.m. a 6:00 p.m. (hora estándar del Este)

**1-877-HD-HAMPTON**

**HAMPTONBAY.COM**

Conserva este manual para uso en el futuro.