



BOOMER IMPULSE LED Bluetooth Speaker

KTS-806



Instruction Manual

Please read carefully before use and keep for future reference.

Thank You

We know you have many choices when it comes to technology; thank you for choosing us here at Naxa Electronics. Established in 2001 in Los Angeles, California, we are dedicated to delivering products that entertain and delight.

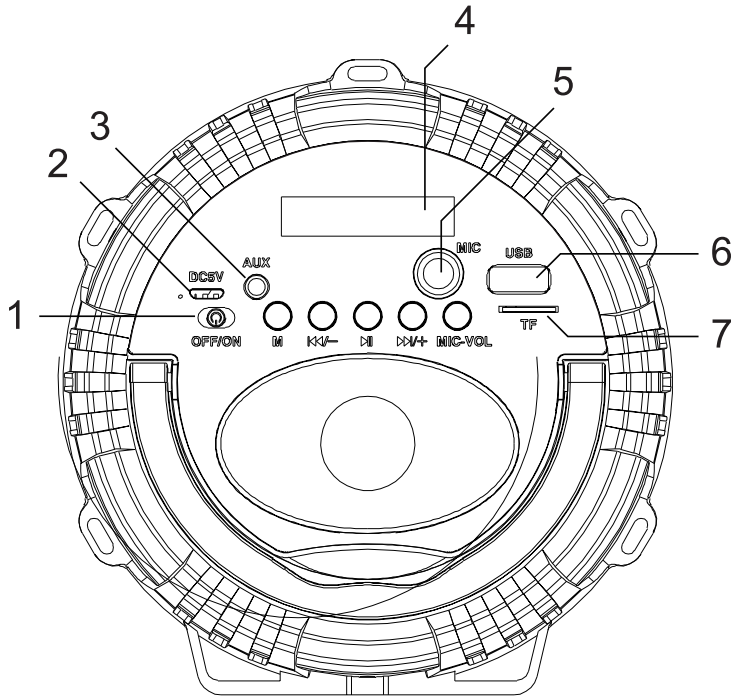
We trust that you will be happy with your purchase. Please read this manual carefully and save it for reference. You may also find the latest FAQ, documentation, and other product material at our website. Come visit us on the web at **www.naxa.com** and see all that we have to offer!

In the Box

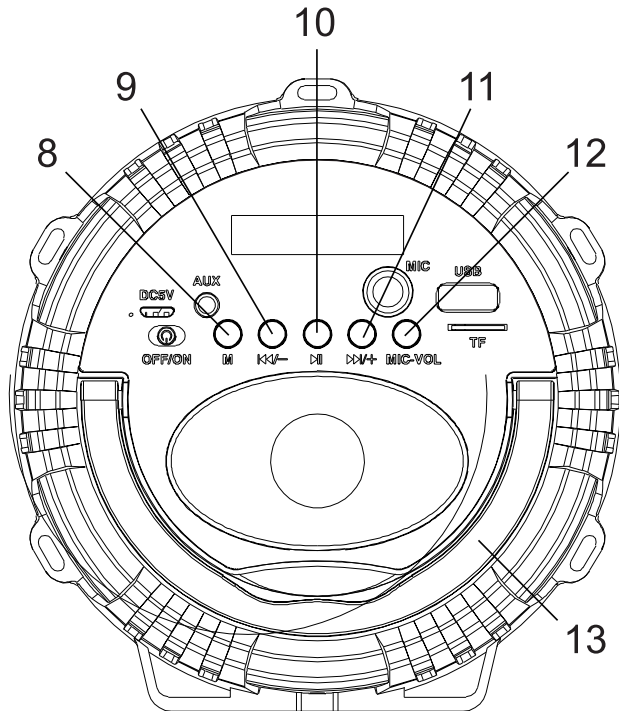
Please take a moment to make sure that you have everything in the list below. Although we make every effort to ensure that each Naxa device is securely packed and sealed, we know a lot can happen in between us and you. If anything is missing, check back with your local retailer to get immediate assistance. If they cannot help you, please contact our Naxa Support team at **www.naxa.com/supportcenter/**.

- KTS-806
- Charge cable
- AUX cable
- Carrying strap

At a Glance




1	OFF/ON	Set the switch to the “ON” position to turn the speaker on. Set the switch to the “OFF” position to turn the speaker off.
2	DC 5V charge port	Connect to a USB power source with the included cable.
3	AUX connector	AUX mode. 3.5mm stereo connection for devices with 3.5mm line-out or headphone output.
4	Display	Indicates which mode the speaker is in.
5	MIC	MIC mode. 6.35 mm input connection for a microphone. The microphone will work in all modes.
6	USB port	USB mode. Load USB memory sticks here.
7	TF reader	CARD mode. Load microSD memory cards here.



8	M	Press to change the active mode (Blue-tooth®, FM tuner, LINE, Music (USB or SD)). Press and hold to turn the LED light on or off.
9	⏮/-	Press to skip to the previous track during playback. Press and hold to decrease the volume.
10	⏸	Press to pause or resume playback.
11	⏭/+	Press to skip to the next track during playback. Press and hold to increase the volume.
12	MIC-VOL	Adjust the microphone level. There are 6 microphone levels.
13	Handle	Flip out the handle for a convenient way to carry the boombox without a strap.

Connecting Power

Your speaker has an integrated rechargeable battery. Upon initial use, the battery should be charged fully to ensure optimal performance and battery life.

 *It takes approximately 4 hours to charge the unit fully when connected to a standard USB port.*

Use the included USB charging cable to connect the speaker to a USB power source to charge the battery.

- Connect the small end of the cable to the DC 5V USB charge port [2] of the unit.
- Connect the large end of the cable to a high-power USB port of a computer. The computer should be powered on.

A red LED will light when the battery is charging.



The battery used in this device may present a fire or chemical burn if mistreated. Do not disassemble, incinerate, or heat the battery. Do not leave the battery in a place

subject to direct sunlight, or in a car with its windows closed.

Do not connect the unit to a power source other than that which is indicated here or on the label as this may result in the risk of fire or electric shock.

Using Bluetooth® Mode

Use Bluetooth mode to stream music from a Bluetooth enabled player (e.g., smartphone or tablet).

- The boombox will automatically enter Bluetooth mode when you turn it on.

Pairing a Device with Bluetooth®

A device must be paired with the boombox before using them together for the first time.

Make sure Bluetooth is enabled on your device and that it is next to the boombox before attempting to pair it.

1. Turn on the boombox; the boombox will be in Bluetooth mode. If it doesn't detect a paired device, it will announce that "The Bluetooth device is ready to pair" and the display will flash "BLUE."
2. Use your device to search for nearby Bluetooth devices. The boombox will be listed as "NAXA NAS-3084." (This function is usually in the Bluetooth settings menu; refer to your device's instruction manual to learn more.)
3. Select "NAXA NAS-3084" from the list of found/available devices.
4. If your device asks for a passcode, use "0000" to complete the pairing process.

When the boombox is paired and connected to the device, it will announce "The Bluetooth device has paired successfully."

You can now start playback on the device to start streaming music to the speakers.



When you turn on the speaker, it will automatically search for a paired device. If it finds a paired device, it will connect to it automatically, and you're ready to play music from that device.


If it does not detect a paired device, it will switch to Pairing mode.

The speakers can be paired with one device at a time.

Bluetooth® Speaker Controls

When the boombox is connected to a Bluetooth® device:

To do this...	...do this
Start, pause, or resume audio playback	Press ▶ .
Skip to the previous track	Press ◀◀/− .
Skip to the next track	Press ▶▶/+ .
Adjust the volume level	Press and hold ◀◀/− or ▶▶/+ .


 *You may also use your device to control playback. Some devices may not support remote Bluetooth controls.*

Set the volume level of the connected Bluetooth device to maximum. Use the boombox to adjust the volume to a comfortable level.

Using Music Mode (USB/SD)

Install a USB drive or microSD memory card that contains MP3 files for playback.


- Press **M** [8] to set the active mode to USB or SD. The boombox will announce the mode has been set to “music.”
- The boombox will automatically detect the USB drive or card and attempt to play the MP3 files on it.

 *Install either a USB drive or microSD card. The boombox can only play from one source at a time.*

To do this...	...do this
Start, pause, or resume playback.	Press ▶ .
Skip to the next track.	Press ⏮/– .
Skip to the previous track.	Press ▶▶/+ .
Adjust the volume level	Press and hold ⏮/– or ▶▶/+ .

Using FM Radio Mode

Press **M** [8] to set the active mode to FM. The boombox will announce the mode has been set to “FM tuner.”

 ***You must connect the included AUX cable to the AUX connector [3] in order to use the FM radio. The AUX connector is also used for FM radio reception.***

To optimize reception, extend the connected AUX cable and adjust its position.

Automatic Station Scan

Use the station scan feature to find stations within broadcast reception range and save them to preset memory.

1. Press **▶▶** once. The speaker will search for and store stations automatically.



Scan for new stations any time you move the speaker. Scanning for new stations will replace the old stations.

FM Radio Controls

To do this...	...do this
Tune to the next preset station	Press ▶▶/+ .
Tune to the previous preset station.	Press ◀◀/- .
Scan for stations and auto save them to preset memory	Press and hold ▶▶ .

Using the AUX Input Connector



Connect devices without Bluetooth® by using the AUX connection. A 3.5mm stereo patch cable is required to make this connection.

1. Use the included AUX cable to connect the device's headphone or line-out jack to the AUX connector [2] of the boombox.
2. Press **M** [8] to switch to AUX mode. The boombox will announce that it is in "Line In" mode.
3. Turn on the device and the speaker. Lower the volume on both.
4. Set the device volume to 80% of its maximum and then start playback.
5. Press and hold **◀◀/-** or **▶▶/+** to adjust the volume to a comfortable level.



Use the connected AUX device to control all functions in AUX mode. The boombox can only be used to adjust the volume.

Warnings and Precautions

	CAUTION WARNING: SHOCK HAZARD. DO NOT OPEN. AVIS: RISQUE DE CHOC ELECTRIQUE. NE PAS OUVRIIR	
CAUTION: TO REDUCE THE RISK OF FIRE AND ELECTRIC SHOCK, DO NOT REMOVE THE COVER (OR BACK) OF THE UNIT. REFER SERVICING ONLY TO QUALIFIED SERVICE PERSONNEL.		



The lightning flash with arrowhead symbol within an equilateral triangle is intended to alert the user to the presence of uninsulated “dangerous voltage” within the product’s enclosure that may be of significant magnitude to constitute risk of electric shock



The exclamation point within an equilateral triangle is intended to alert the user to the presence of important operation and servicing instructions in the literature accompanying the appliance.

CAUTION

- Do not block the ventilation openings or holes.
- Do not place any naked flames (such as lighted candles) on the apparatus.
- When discarding batteries, follow all local rules and laws governing the disposal of batteries. Consider the environmental impact of your actions!
- To prevent fire or shock hazard, do not expose this appliance to rain or moisture.

Important Safety Information

1. **Read Instructions:** All the safety and operating instructions should be read before the product is operated.
2. **Retain Instructions:** The safety and operating instruction should be retained for future reference.
3. **Heed Warnings:** All warnings on the product and in the operating instructions should be adhered to.
4. **Follow Instructions:** All operating and usage instructions should be followed.
5. **Cleaning:** Unplug this product from the wall outlet before cleaning. Do not use liquid cleaners or aerosol cleaners. Use a damp cloth for cleaning.
6. **Attachments:** Use only attachments recommended by the manufacturer. Use of other attachments may be hazardous.
7. **Water and Moisture:** Do not use this product near water (e.g., near a bathtub, washbowl, kitchen sink, laundry tub, in wet basements, or near a swimming pool and the like).
8. **Accessories:** Do not place this product on an unstable cart, stand, tripod, bracket, or table. Use only with carts, stands, tripods, brackets, or tables recommended by the manufacturer or sold with the product. Any mounting of the product should follow the manufacturer’s instructions and should use a mounting accessory recommended by the manufacturer. A product and cart combination should be moved with care. Quick stops, excessive force, and uneven surfaces may cause the product and cart combination to overturn.



9. **Ventilation:** Slots and openings in the cabinet are provided for ventilation to ensure reliable operation of the product and to protect it from overheating. These openings should never be blocked by placing the product on a bed, sofa, rug, or other similar surface. This product should not be placed in a built-in installation such as a bookcase or rack unless proper ventilation is provided or the manufacturer instructions have been adhered to.
10. **Power Sources:** This product should be operated only from the type of power source indicated on the rating label. If you are not sure of the type of power supply to your home, consult your product dealer or local power company. For products intended to operate from battery power or other sources, refer to the operating instructions.
11. **Grounding or Polarization:** This product may be equipped with a polarized alternating-current line plug that has one blade wider than the other. This plug will only fit into the power outlet in one direction. This is a safety feature. If you are unable to insert the plug fully into the outlet, try reversing the direction of the plug. If the plug should still fail to fit, contact an electrician to replace the obsolete outlet. Do not defeat the safety purpose of the polarized plug.
12. **Power-Cord Protection:** Power supply cords should be routed so that they are not likely to be walked on or pinched by items placed upon or against them, paying particular attention to cords at plugs, convenience receptacles, and at the point which they exit from the product.
13. **Protective Attachment Plug:** The product may be equipped with an attachment plug with overload protection. This is a safety feature. See the operating instructions for replacement or directions to reset the protective device. If replacement of the plug is required, be sure the service technician has used a replacement plug that has the same overload protection as the original plug as specified by the manufacturer.
14. **Lightning:** For added protection for this product, unplug it from the wall outlet during a lightning storm or when it is left unattended and unused for long periods of time. This will prevent damage to the product due to lightning or power-line surges.
15. **Overloading:** Do not overload wall outlets, extension cords, or integral convenience receptacles as this can result in a risk of fire or electric shock.
16. **Object and Liquid Entry:** Never push objects of any kind into this product through openings as they may touch dangerous voltage points or short-out parts that could result in a fire or electric shock. Never spill liquid of any kind on the product.
17. **Servicing:** Do not attempt to service this product yourself as opening or removing covers may expose you to dangerous voltage or other hazards. Refer all servicing to qualified service personnel.
18. **Damage Requiring Service:** Unplug this product from the wall outlet and refer servicing to qualified service personnel under the following conditions: a) when the power-supply or plug is damaged; b) if liquid has been spilled or if objects have fallen into the product; c) if the product has been exposed to rain or water; d) if the product does not operate normally by following the operating instructions. Adjust only those controls that are covered by the operating instructions as improper adjustment of other controls may result in damage and will often require extensive work by a qualified technician to restore the product to its normal operation; e) if the product has been dropped or damaged in any way; f) when the product exhibits a distinct change in performance—this indicates a need for service.
19. **Replacement Parts:** When replacement parts are required, be sure that your service technician has used replacement parts specified by the manufacturer or have the same characteristics as the original part. Unauthorized substitutions may result in fire, electric shock, or other hazards.

20. **Safety Check:** Upon completion of any service or repairs to this product,ask the service technician to perform safety checks to ensure that the product is in proper operating condition.
21. **Wall or Ceiling Mounting:** The product should be mounted to a wall or ceiling only as recommended by the manufacturer.
22. **Heat:** The product should be situated away from heat sources such as radiators,heat registers, stoves, or other products (including amplifiers) that produce heat.

WARNING:

This product contains lead, a chemical known to the State of California to cause cancer and birth defects or other reproductive harm. ***Wash hands after handling.***

FCC NOTICE

This device complies with Part 15 of the FCC Rules. Operation is subject to the following two conditions: (1) this device may not cause harmful interference, and (2) this device must accept any interference received, including interference that may cause undesired operation.

Note: This equipment has been tested and found to comply with the limits for a Class B digital device, pursuant to Part 15 of the FCC Rules. These limits are designed to provide reasonable protection against harmful interference in a residential installation. This equipment generates, uses and can radiate radio frequency energy and, if not installed and used in accordance with the instructions, may cause harmful interference to radio communications. However, there is no guarantee that interference will not occur in a particular installation. If this equipment does cause harmful interference to radio or television reception, which can be determined by turning the equipment off and on, the user is encouraged to try to correct the interference by one or more of the following measures:

- Reorient or relocate the receiving antenna.
- Increase the separation between the equipment and receiver.
- Connect the equipment into an outlet on a circuit different from that to which the receiver is connected.
- Consult the dealer or an experienced radio/TV technician for help.

FCC Radiation Exposure Statement:

This equipment complies with FCC radiation exposure limits set forth for an uncontrolled environment . This transmitter must not be co-located or operating in conjunction with any other antenna or transmitter.

CAUTION ON MODIFICATIONS

Any changes or modifications not expressly approved by the grantee of this device may void the authority granted by the FCC to operate the equipment.

Trademark & Regulatory Statements

Bluetooth® is a registered trademark of Bluetooth SIG, Inc. SD, SDHC and SDXC are trademarks or registered trademarks of SD-3C, LLC in the United States, other countries or both. Also, microSD and microSDHC are all trademarks or registered trademarks of SD-3C, LLC in the United States, other countries or both. Other trademarks and names are those of their respective owners.

Troubleshooting Guide

This guide lists common problems and their solutions. Please refer to this guide before requesting service. If you need further assistance, please contact Naxa Technical Support (www.naxa.com/supportcenter/).

Symptom	Possible Cause	Possible Solution
There is no power.	The battery is exhausted.	Connect the unit to a USB power source to charge it.
	The Power switch is set to OFF.	Make sure that the Power switch is set to the ON position.
The device is unable to connect to the speaker.	The speaker is not in pairing mode.	Reset the speaker (turn it off and then on again.) Wait for the display to flash "BLUE."
	Bluetooth may be disabled on your device.	Make sure Bluetooth is enabled on your device. Turn it on if it isn't.

Symptom	Possible Cause	Possible Solution
The device is connected but there is no sound.	Your device may be beyond the effective range of the speaker.	Move closer to the speaker. Range may be affected adversely by environmental conditions.
	Your device may not be in playback mode.	Ensure that your device is operating correctly. Start playback on your device.

Specifications

Speakers	Total output power: 5 W RMS Driver size: 4 inches
Frequency Response	100–20,000 Hz
Removable Memory Support	USB, microSD/microSDHC File system format: FAT32 Max size: 32 GB
Playable Media Formats	MP3
Radio Tuner	FM (87.5–108.0 MHz)
Input	Bluetooth® 2.1 AUX (3.5 mm) MIC (6.35 mm)
Power	USB charge (DC 5 V)
Battery	Rechargeable battery (800 mAh)

Note: Product are improved continuously. We reserve the right to modify the product and specifications without prior notice.

Support

If you have problems with your device, please consult the instructions in this manual. Please also visit us on the web at www.naxa.com to get up to the minute news, alerts, and documentation for your device. For additional assistance, please contact Naxa Technical Support.

NAXA Technical Support

2320 East 49th St.

Vernon, CA 90058

<http://www.naxa.com/supportcenter/>