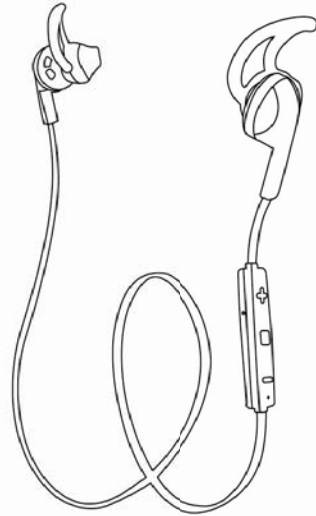


TZUMI

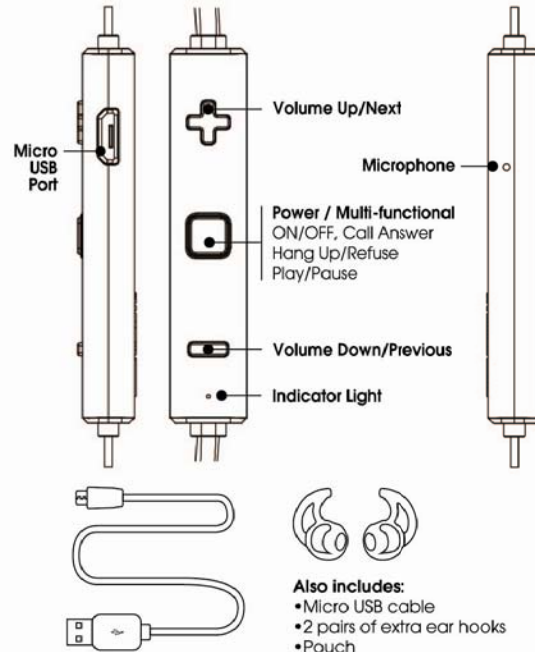


ProBuds SportSeries Wireless Stereo EarBuds



User Guide

PRODUCT OVERVIEW



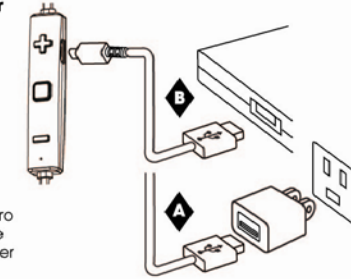
1

CHARGING THE EARBUDS

These earbuds have an internal rechargeable battery. The battery must be fully charged prior to use. Charging time is approximately 1 hr. Your earbuds cannot be used while charging.

A Via AC Adapter Wall Charger

Using the provided Micro USB cable, connect the Earbuds (Micro USB port) to the AC Adapter (USB port).



B Via Computer

Using the provided Micro USB cable, connect the Earbuds to the computer or laptop (USB port).

PAIRING THE EARBUDS TO BLUETOOTH DEVICE

Make sure the Bluetooth function is available on your cell phone. Specific pairing procedures will be different depending on different cell phone. For detailed information, please refer to your cell phone's User Guide.

- If no device connection is made within 5 minutes of the earbuds being switched on, the earbuds will automatically be switched off to save power.
- After a successful pairing devices will memorize each. Therefore, no pairing will be needed next time.

over →

2

PAIRING TO BLUETOOTH DEVICE (CONTINUED):

1. Turn OFF the earbuds by pressing and holding the multifunction key for about 3 seconds. Turn it back on by pressing and holding the multifunction button.
2. Keep the distance between the cell phone and the earbuds within 3 feet (for pairing only).
3. Activate the Bluetooth function of the cell phone, to search for the Bluetooth devices. After finishing the search, select "TZUMI EARBUDS" in the device list displayed.
4. Press "yes" or "enter" key to confirm the successful pairing.
5. After the successful connection, the blue light of the earbuds will flash quickly twice every four seconds.

CONNECTING TO OTHER BLUETOOTH DEVICES

This earbuds can set up connection with two Bluetooth devices at the same time (at most), and one of the connections is for hands-free profile (hfp).

1. First pair the earbuds with the Bluetooth transmitter (refer to PAIRING TO BLUETOOTH CELL PHONE section).
2. Switch off the Bluetooth transmitter.
3. Pair and connect the earbuds with Bluetooth cell phone (refer to PAIRING TO BLUETOOTH CELL PHONE section).
4. Switch on the transmitter again, and the transmitter will automatically initiate the connection to the earbuds.

FAQ's

Q: Why can't I turn the headset on?

A: Make sure your device is fully charged before using it for the first time. Your device can not be turned on if battery level is very low. Refer to Charging the Earbuds section of the manual.

Q: There is no sound during playback.

A: Check the connection between your device with phone or computer. If the connection is not established, please reconnect again. And adjust the volume level to a suitable level.

3

EARBUDS CONTROLS

Making and receiving calls

You can use your earbuds in various ways for handling calls.

- Answer call _____ Press
- End a call _____ Press
- Reject call _____ Press and hold for 2 seconds
- Redial last call _____ Quickly press 2 times

Listening to music

- Play music _____ Press
- Pause/resume music _____ Press
- Go to next song _____ Press and hold
- Go to previous song _____ Press and hold
- Power ON/OFF _____ Press and hold

Changing the volume

When needed, adjust the volume by pressing the keys (up) or (down) during a call or when listening to music.

4

IMPORTANT SAFEGUARDS

- Do not use this unit for anything other than its intended use.
- Keep the unit away from heat source, direct sunlight, humidity, water or any other liquid.
- Do not expose the device to extremely high or low temperatures, as it may damage the battery.
- Do not operate the unit if it has been wet or moist to prevent against electric shock and/or injury to yourself and damage to the unit.
- Do not use the unit if it has been dropped or damaged in any way.
- Repairs to electrical equipment should only be performed by a qualified electrician. Improper repairs may place the user at serious risk.
- Keep the unit out of reach of children.
- This unit is not a toy.

BATTERY DISPOSAL:

This product contains a lithium polymer battery. Lithium Polymer batteries are environmentally safe when fully discharged. Please refer to your local and state laws for battery disposal procedures.

SPECIFICATIONS

Bluetooth Version	Bluetooth V4.1 + EDR
Distance	Up to 49ft (15m)
Battery	Rechargeable lithium battery: 75mAh
Frequency	2.4GHz
Standby Time	Up to 180 hours
Charging Time	1 hour
Play Time	up to 7 hours
Input	80mA / 5V

TZUMI™ BT SPORT EARBUDS Distributed by TZUMI™ INC. NY, NY 10016
©Copyright 2015 TZUMI™ All Rights Reserved. Made In China.

The Bluetooth trademarks are owned by Bluetooth SIG, Inc. Other trademarks and trade names in this document are those of their respective owners. © 2015 Bluetooth SIG, Inc. Subject to change without prior notice.

FCC WARNING

This device complies with Part 15 of the FCC Rules. Operation is subject to the following two conditions:

- (1) This device may not cause harmful interference, and
- (2) this device must accept any interference received, including interference that may cause undesired operation.

NOTE 1: Any changes or modifications to this unit not expressly approved by the party responsible for compliance could void the user's authority to operate the equipment.