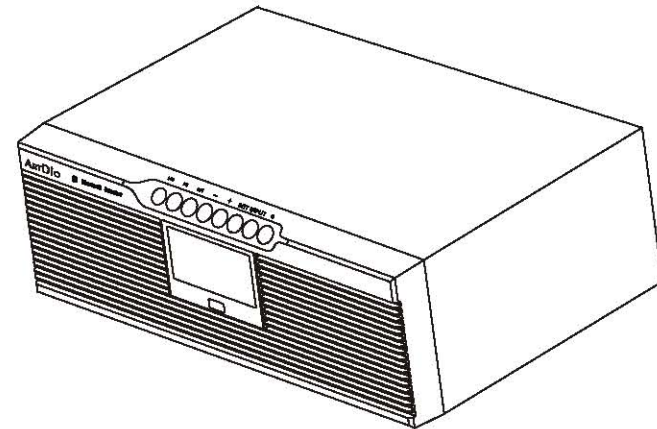


ARTDio[®]

BT-325

2.0 BLUETOOTH[®] STEREO SPEAKER

 **KINYO | ARTDio**
www.kinyo.com



Please read and understand all safety instruction before use.
The Bluetooth[®] word mark and logos are owned by the Bluetooth SIG, Inc. and any use of such marks by Kinyo Company is under license.

LIMITED WARRANTY

Kinyo Company Inc. (KINYO) warrants this product to the original purchaser against defects in material and workmanship for a period of one (1) year from the date of purchase. Kinyo will, at its option, repair or replace the defective product at no cost to you during the warranty period.

The warranty will not apply if the unit has been subject to accident, misuse, abuse, disassembly, altered or operated contrary to the instructions contained in the accompanying manual.

To obtain warranty service, proof of purchase, in the form of retail receipt, bill of sale or invoice must be presented as evidence that the unit is within the warranty period. The product must be packaged either in its original package or in such a way as to reasonably protect it from shipping damage. Properly fill out the warranty card with description of problem. Send the product freight prepaid or deliver to:

**ATTN: SERVICE DEPT. KINYO COMPANY INC.
14235 LOMITAS AVE. LA PUENTE, CA 91746**

ONE YEAR LIMITED WARRANTY CERTIFICATE

NAME		
ADDRESS		
CITY	STATE	ZIP
PHONE	EMAIL	
DATE OF PURCHASE	WHERE PURCHASED	
PROBLEM		
SIGNATURE		

**This warranty is only valid in the United States of America.*



14235 LOMITAS AVE, LA PUENTE, CA 91746

WWW.KINYO.COM

IMPORTANT SAFETY INSTRUCTIONS

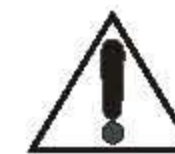
Please read and understand all safety instructions before use.

- Read these instructions.
- Keep these instructions.
- Heed all warnings.
- Do not use this apparatus near water.
- Clean only with dry cloth.
- Do not block any ventilation openings. Install in accordance with the manufacturer's instructions.
- Do not push objects into apparatus vents or slots because fire or electric shock hazards could result.
- Maintain a minimum distance of at least 6 inches around apparatus for sufficient ventilation
- Ventilation should not be impeded by covering the ventilation openings with items such as newspapers, table cloth, curtains, etc.
- No naked (open) flame sources, such as lighted candles, should be placed on or near apparatus.
- Place apparatus in a stable location so it will not fall causing product damage or bodily harm.
- Do not install near any heat sources such as radiators, heat registers, stoves, or other apparatus (including amplifiers) that produce heat.
- Do not defeat the safety purpose of the polarized plug. A polarized plug has two blades with one wider than the other. The wide blade is provided for your safety. If the provided plug does not fit into your outlet, consult an electrician for replacement of the obsolete outlet.
- Operate the apparatus only from the low level audio line output jack of the computer or of an audio device.
- Protect the power cord from being walked on or pinched particularly at plugs, convenience receptacles, and the point where they exit from the apparatus.
- Only use attachments/ accessories specified by the manufacturer.
- Unplug this apparatus during lightning storms or when unused for long periods of time.
- Refer all servicing to qualified service personnel. Servicing is required when the apparatus has been damaged in any way, such as power-supply cord or plug is damaged liquid has been spilled or objects have fallen into the apparatus, the apparatus has been exposed to rain or moisture, does not operate normally, or has been dropped.
- The apparatus shall be disconnected from the mains by placing the power/standby switch in the standby position and unplugging the power cord of the apparatus from the AC mains receptacle.
- The socket-outlet shall be installed near the equipment and shall be easily accessible.



**WARNING TO REDUCE THE RISK OF FIRE OR ELECTRIC SHOCK, DO NOT EXPOSE THIS APPLIANCE TO RAIN OR MOISTURE.
CAUTION PILOT LAMP SOLDERED IN PLACE. TO REDUCE THE RISK OF ELECTRIC SHOCK, REFER TO QUALIFIED SERVICE PERSONNEL.**

ENVIRONMENTAL PROTECTION RECOMMENDATION
At the end of its working life, this product should not be disposed of with standard household waste, but rather dropped off at a collection point for the disposal of Waste Electrical and Electronic Equipment (WEEE) for recycling.
This is confirmed by the symbol found on the product, user manual or packaging.



The exclamation point within an equilateral triangle is intended to alert the user to the presence of important operating and maintenance (servicing) instructions in the literature accompanying the appliance.



The lightning flash with a arrowhead symbol with an equilateral triangle is intended to alert the user to the presence of uninsulated dangerous voltage within the product's enclosure that may be of sufficient magnitude to constitute a risk of electric shock to persons.

CE 0984

Is herewith confirmed to comply with the requirements set out in the Council Directive on the Approximation of the Laws of the Member States relating to Electromagnetic Compatibility (2004/108/EC), Low-voltage Directive (2006/95/EC) and the Amendment Directive (93/68/EEC), the procedures given in European Council Directive 99/5/EC and 2004/108/EC.

The equipment was passed. The test was performed according to the following European standards:

ETSI EN 301 489-17 V1.2.1: 2002
ETSI EN 300 328 V1.7.1: 2006
EN60950-1:2006

INTRODUCTION

The BT-325 *Bluetooth* Stereo Speaker from ArtDio supports *Bluetooth* A2DP¹ and AVRCP² profiles. ArtDio's BT-325 will stream music from mobile phones, media players, PDA's, computers and all audio sources containing *Bluetooth* A2DP technology. The BT-325 speaker and *Bluetooth* audio source will operate best within an open space range of 10 meters (33 feet).

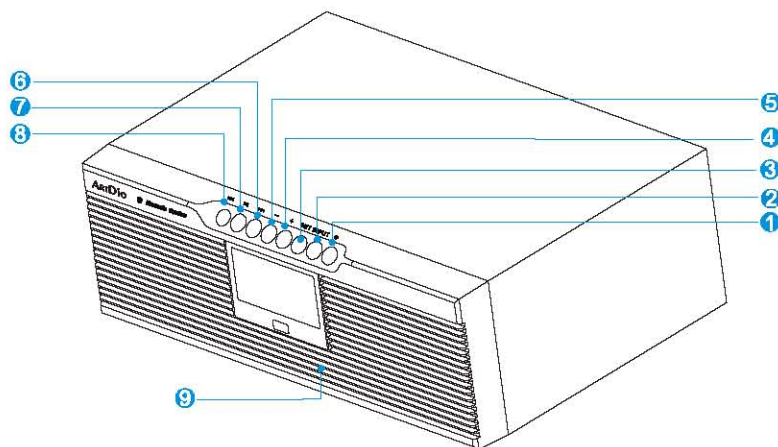
A built-in FM radio allows you to pre-set up to twenty (20) radio stations and contains a backlit digital LCD clock which operates on a 12 hour or 24 hour time setting. The clock also comes with time memory features. It has a dual alarm clock along with sure alarm features. The buzzer alarm will sound in a power failure for up to 2 hours. You can set the alarm clock to wake-to or sleep-to, alarm. (Buzzer or Radio) Also contains an automatic snooze function.

This system is compatible with most audio sources that have a Line in connection.

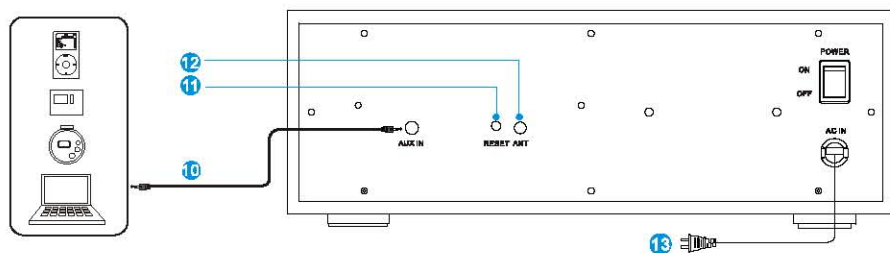
1. The playback and its plug-in *Bluetooth* adapter/transmitter/device needs to support A2DP (Advanced Audio Distribution Profile).
2. The playback and its plug-in *Bluetooth* adapter/transmitter/device needs to support AVRCP (Audio/Video Remote Control Profile).


PRODUCT OVERVIEW

FRONT



REAR



- 1 **⏻**: Press to turn system on, press again for standby.
- 2 **Input**:
 - a) While system is ON press to select audio input source, *Bluetooth*, Auxiliary or Radio.
 - b) System is turned ON, press and hold button will enter Sleep setting.
 - c) System is set to standby, press button for Alarm 1 or Alarm 2 setting.
- 3 **SET**:
 - a) Press to enter clock and alarm setting mode.
 - b) In FM mode, press to confirm and save preset FM radio station.
- 4 **VOL +**:
 - a) Increases volume.
 - b) In FM mode, navigate for selecting preset FM station.
- 5 **VOL -**:
 - a) Decreases volume.
 - b) In FM mode, navigate down for selecting preset FM station.
- 6 **▶▶**:
 - a) Plays next song (only during *Bluetooth* connection).
 - b) Hold button to scan for next FM radio station.
 - c) Adjusts FM radio frequency for better reception.
- 7 **▶||**:
 - a) To manually start the *Bluetooth* pairing process, press and hold the "▶||" button for 3 seconds. *Bluetooth* icon will display on the LCD indicating the system is entering the pairing mode. Icon will show . Please see detailed pairing instructions on page 7.
 - b) Plays or pauses music (only during *Bluetooth* connection).
 - c) Press to answer an incoming call only while the speaker is connected to a *Bluetooth* cell phone during *Bluetooth* connection. Press again will end the call.
 - d) When in FM mode, press button will select and play the preset FM radio station.
 - e) Press button during clock or alarm settings to confirm or exit settings.
- 8 **◀◀**:
 - a) Plays the previous song (only during *Bluetooth* connection).
 - b) Hold button to scan for FM station in reverse.
 - c) Adjusts FM radio frequency for better reception.
- 9 **Built-In Microphone**
- 10 **Aux In**:

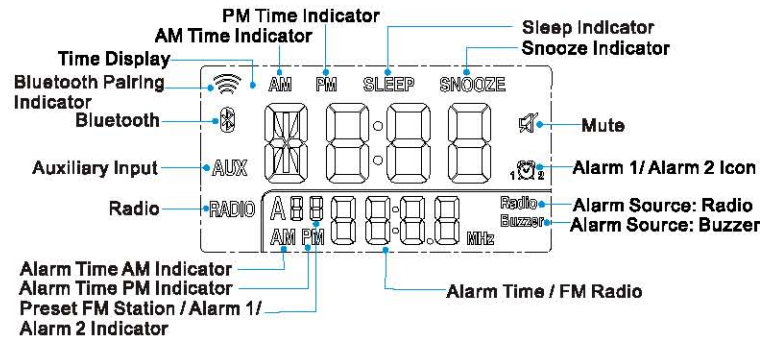
To connect to other Auxiliary input insert the 3.5mm stereo input cable (included) to the "AUX IN" jack. Connect the end with other audio source. Please see detailed instructions on page 9.
- 11 **Reset**:

Pressing will reset to default settings.
- 12 **FM ANT**:

Connect antenna cable to FM ANT jack for best reception.
- 13 **AC Plug**:

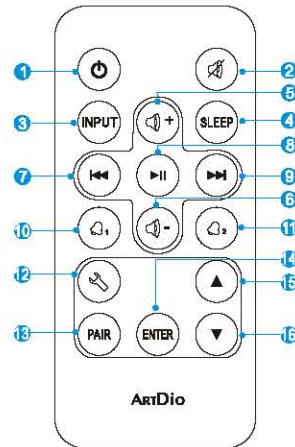
Connect the AC plug to outlet for power.

LCD DISPLAY



REMOTE CONTROL

- 1 : Press to turn system on, press again for standby.
- 2 : Mute button
- 3 **INPUT** : Select audio input sources from *Bluetooth*, *Radio* or *Auxiliary Input*.
- 4 **SLEEP**: Sleep time settings.
- 5 : Adjust volume up.
- 6 : Adjust volume down.
- 7 : a) Plays the previous song (only during *Bluetooth* connection).
b) Hold button to scan for FM station in reverse.
c) Adjusts FM radio frequency for better reception.
- 8 : a) Plays or pauses music (only during *Bluetooth* connection).
b) Press to answer call from a *Bluetooth* cell phone (only during *Bluetooth* connection). Press again to end the call .
- 9 : a) Plays the next song (only during *Bluetooth* connection).
b) Hold to scan for next FM radio stations.
c) Adjusts FM radio frequency for better reception.
- 10 : Press to turn on or off the Alarm 1.
- 11 : Press to turn on or off the Alarm 2.
- 12 : Press to enter the Clock or Alarm time settings.
- 13 **PAIR**: Press to initiate *Bluetooth* pairing.
- 14 **ENTER**: a) Press to enter or exit settings.
b) In FM mode, press to confirm and save preset FM radio station.
- 15 : a) In FM mode, navigate to select the preset FM station.
b) In FM mode, navigate to play the desired preset FM radio station.
c) Navigate during settings.
- 16 : a) In FM mode, navigate down to select the preset FM station.
b) In FM mode, navigate down to play the desired pre-set FM radio station.
c) Navigate down during settings.



SYSTEM SETUP

Power Source: AC Power

Connect the AC plug into outlet for power. The system will be on Standby.

CLOCK SETTING

Note: Make sure the system is on STANDBY while setting the clock.

1. When AC power source is plugged in the system is on Standby. The LCD will show the default time 00:00 flashing. If the clock has not been set in 10 seconds the LCD will display default time 00:00.
2. Make sure the system is on Standby. Press [] button to enter the time setting, the default time format "24H" will flash on LCD.
3. Press []/[] buttons on the panel or []/[] buttons on remote to select "24 Hour" or "12 Hour" time format.
4. Press [] button on the panel or [ENTER] button on remote control to confirm time format.
5. The hours will flash on LCD. Enter the desired hour by pressing []/[] buttons on the panel or []/[] buttons on remote.
6. Press [] button on the panel or [ENTER] button on remote to confirm hour.
7. The minutes will flash on LCD. Enter the minutes by pressing []/[] buttons on the panel or []/[] buttons on remote.
8. Press [] button on the panel or [ENTER] button on remote to confirm the minutes and exit time setting. The LCD will now display the time.

ALARM SETTING

Note: Make sure the system is on STANDBY while setting the alarm time.

1. The system has dual alarm functions allowing you to wake up to either the Radio or the Buzzer.
2. Press [Set] button to enter alarm settings. Select Alarm 1 or Alarm 2. The AL1 or AL2 will display on LCD when selected.
3. The default alarm source "Buzzer" will flash on LCD. Press []/[] buttons on the panel or []/[] buttons on remote to select the alarm source between "Radio" or "Buzzer".
4. Press [] button on the panel or [ENTER] button on remote to confirm alarm source.
5. The hours will flash. Enter the hours by pressing []/[] buttons on the panel or []/[] buttons on remote.
6. Press [] button on the panel or [ENTER] button on remote to confirm the hours on the alarm.
7. The minutes will flash. Enter the minutes by pressing []/[] buttons on the panel or []/[] buttons on remote.
8. Press [] button on the panel or [ENTER] button on remote to confirm the minutes and exit Alarm 1 or Alarm 2 setting.

If the alarm is not set in 20 seconds, the LCD will return to current time display.

ALARM: TURN ON/OFF

Note: Make sure the system is on STANDBY while turning the Alarm on or off.

1. When the system is standby, press the [INPUT] button on the panel to turn the alarm ON or OFF. See sequence below:



2. To turn on Alarm using the remote control, press the "☺₁" button. The "☺₁" icon will display on LCD; Press a second time and it will turn off. Press "☺₂" button and Alarm 2 will turn on. The "☺₂" icon will display on LCD; press again will turn off.
3. When the system is on STANDBY the alarm will go off to the chosen source. Either Radio or Buzzer.
4. If the alarm is set to Radio, radio will begin playing at a volume 10 until the volume level previously set. If the alarm is set to Buzzer, the Buzzer will sound and get increasingly louder. The alarm icon will flash.
5. If the system remains ON only the BUZZER will work. When the BUZZER sounds, the music volume will decrease to a volume 10 level. The AL1/AL2 indicator, alarm time and alarm source (Radio or Buzzer indicator) will flash simultaneously on the LCD.

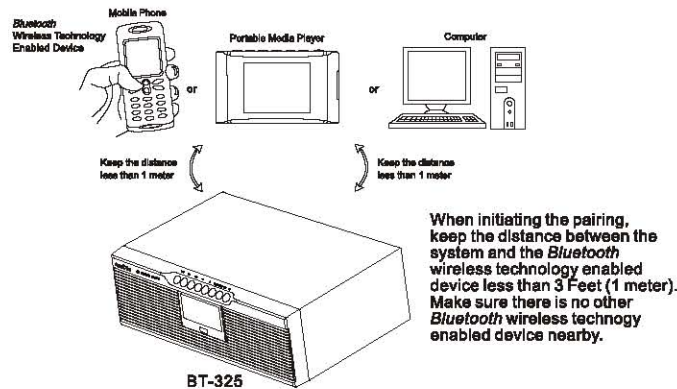
SNOOZE

Note: Snooze function only works when the system is on stand by and set to Buzzer.

1. The Buzzer alarm will sound for one minute. Then repeat in 3 times in 9 minute intervals. The "SNOOZE" indicator will display on LCD.
2. Press any button on the panel to stop the alarm. The alarm icon and "SNOOZE" indicator will turn off. The AL1/AL2 indicator, alarm time and alarm source (Radio or Buzzer indicator) will flash simultaneously on LCD.

PAIRING WITH BLUETOOTH ENABLED DEVICES

Note: You are required to pair the system with your Bluetooth enabled devices (mobile phone, MP3 player, PDA and computer) before use.



1. Turn on the system. Press [INPUT] button until the Bluetooth icon "📶" is displayed on the LCD to select Bluetooth. This will automatically initiate the Bluetooth pairing process. The "📶" Bluetooth pairing signal (wave) will flash to indicate you are in the pairing mode.

2. Alternative: To manually start the Bluetooth pairing process, press and hold [▶|] button on the panel or [Pair] button on the remote control. When the "📶" Bluetooth pairing signal (wave) is flashing, you are in the pairing mode.
3. Turn on the Bluetooth service on your Bluetooth enabled devices to perform a search for the Bluetooth enabled devices in range.
4. When the search is completed, your Bluetooth enabled device will display a new device named "ARTDIO" in the list of Bluetooth devices. Select "ARTDIO" from the Bluetooth device list.
5. You will be prompted to enter a passkey. Please enter the default passkey 0000.
6. When you hear a "beep" sound, the system is connected with your Bluetooth enabled device via Bluetooth connection. The Bluetooth icon will display "📶" constantly on the LCD.
Note: If the pairing cannot be completed in 90 seconds, the pairing will be terminated. The Bluetooth icon will only display "📶". Please restart the pairing process again.
7. Now you can select music from your Bluetooth enabled device and play it wirelessly through the system.
8. To disconnect the Bluetooth connection, simply press [INPUT] button and select other audio source. For alternative way, press and hold [▶|] button on the panel or [Pair] button on remote to disconnect the Bluetooth connection. The Bluetooth icon will only display "📶".

USING THE BLUETOOTH SPEAKER

1. Select and play music from your Bluetooth enabled device.
2. Press [VOL+]/[VOL-] to increase or decrease the volume (0-30).
3. Press [▶|] buttons to play or pause the music.
4. Press [◀|] / [▶|] buttons to play previous or next song.
5. If the phone rings from your Bluetooth enabled device, press the [▶|] button to answer the phone. Enjoy your conversation hands-free through built-in microphone. End the call by pressing the [▶|] button again. Music will resume after the call.
6. You can use the remote control to control your Bluetooth speaker (please see the Remote Control on page 5 for details).

FM RADIO STATION SETTINGS

Setting and Tuning Radio Stations










Note: Connect the antenna cable to the FM ANT jack on the back of system for better reception. Extend the antenna cable for best reception.

1. Press "📶" button to turn on the system. Press [INPUT] button to select Radio. The "RADIO" indicator will display on the LCD.
2. The Radio station default is 87.5MHz. This will come up the very first time you turn on the radio.



3. Search and scan radio stations by pressing and holding [◀|] / [▶|] buttons. Once the radio station is located, the search will stop.
4. If the radio reception is weak, press [◀|] / [▶|] buttons to for better radio frequency.

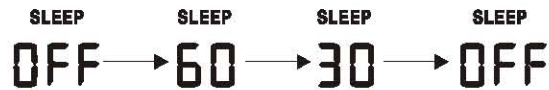
Program Pre-set Radio Station

1. Select desired station by repeating above steps 1-4 ("Setting Radio Stations")
2. To preset a station press [] button on the panel or [ENTER] button on remote. The program preset station number will flash.
3. Press []/[] buttons on the panel or []/[] buttons on remote to select the preset station numbers from 01-20.
4. Press [] button on the panel or [ENTER] button on remote to program the preset FM station.
5. The system allows you to store up to 20 preset FM radio stations.
6. To listen to the preset radio station press [] button on the panel or []/[] buttons on the remote control.

SLEEP TIMER SETTING

Note: Be sure the system is turned ON to set the sleep timer.

1. Turn system ON by pressing the "⏻" button.
2. To set the sleep timer, Press and hold [INPUT] button on the panel or [Sleep] button on the remote control. The "SLEEP" indicator will display the sleep timer sequence as shown:



3. Release the button to select the sleep time desired. Once the sleep timer is selected, the sleep timer will appear for 10 seconds, and the "SLEEP" indicator will display on LCD. Then the LCD will return to the current time display.
4. When time reaches the selected sleep time the system will turn OFF and remain in STANDBY. The "SLEEP" indicator will turn off and the LCD will return to the current time display.

CONNECTING TO OTHER AUDIO SOURCES

The BT-326 includes an auxiliary input jack that allows you to connect to an alternate audio sources, such as iPod, MP3 player, portable CD player, portable DVD player, etc.

1. Press [INPUT] button to select the audio source to Auxiliary Input until "AUX" indicator is displayed on the LCD.
2. Insert one end of the 3.5mm stereo input cable into the "AUX IN" jack on the back of the system. Insert the other end of the 3.5mm audio cable into your audio source.
3. Turn on audio source and play music.
4. Press the [VOL +]/[VOL -] buttons to increase or decrease the volume.

ACCESSORIES:



FM Cable X1



3.5mm Stereo
Input Cable X1



Remote Control X1

Federal Communication Commission Interference Statement

This equipment has been tested and found to comply with the limits for a Class B digital device, pursuant to Part 15 of the FCC Rules. These limits are designed to provide reasonable protection against harmful interference in a residential installation. This equipment generates, uses and can radiate radio frequency energy and, if not installed and used in accordance with the instructions, may cause harmful interference to radio communications. However, there is no guarantee that interference will not occur in a particular installation. If this equipment does cause harmful interference to radio or television reception, which can be determined by turning the equipment off and on, the user is encouraged to try to correct the interference by one of the following measures:

- Reorient or relocate the receiving antenna.
- Increase the separation between the equipment and receiver.
- Connect the equipment into an outlet on a circuit different from that to which the receiver is connected.

• Consult the dealer or an experienced radio/TV technician for help.
FCC Caution: Any changes or modifications not expressly approved by the party responsible for compliance could void the user's authority to operate this equipment.

This device complies with Part 15 of the FCC Rules. Operation is subject to the following two conditions: (1) This device may not cause harmful interference, and (2) this device must accept any interference received, including interference that may cause undesired operation.

IMPORTANT NOTE:

FCC Radiation Exposure Statement:

This equipment complies with FCC radiation exposure limits set forth for an uncontrolled environment. This equipment should be installed and operated with minimum distance 20cm between the radiator & your body.