



QUICK INSTRUCTION MANUAL

TP620

Digital Portable Radio

DIGITAL

<http://en.kirisun.com>

Quick Instruction Manual
TP620
Digital Portable Radio

We are very grateful for your purchasing KIRISUN brand two-way radios produced by Kirisun Communications Co., Ltd.

We believe KIRISUN two-way radio, which always incorporates the latest technology, can bring great convenience to your life and work.

We also believe that the quality and function of KIRISUN two-way radio can meet your demands for reliable communication.

Contents

1	UNPACKING AND CHECKING	1
2	PRODUCT OVERVIEW	5
3	BASIC OPERATION	12
4	RECEIVING AND RESPONDING TO THE CALL	15
5	MAKING A RADIO CALL	15
6	TEXT MESSAGE FEATURES	16
7	TROUBLESHOOTING	17

Declaration of Conformity

CE0700!

We, Kirisun Communications Co.,Ltd. 3-6Flrs, ROBETA Building, No.1, QiMin Road, Song Ping Shan Area, Science&Industry Park, Nanshan District Shenzhen 518057 P.R. China

Declare on our sole responsibility that this equipment complies with the Annex IV of Council Directive 1999/5/EC on radio equipment and telecommunications equipment and the mutual recognition of their conformity, and that any applicable Essential Test Suits measurement has been performed.

Description of equipment: UHF DMR Portable

Model No.: Kirisun/TP620

This compliances is based on conformity with the following harmonized standards or documents:

- (1) .ETSI EN 300 086-2 V1.3.2
ETSI EN 300 113-2 V1.5.1
- (2). ETSI EN 301 489-1 V1.9.2(2011-09)
ETSI EN 301 489-5 V1.3.1(2002-08)
- (3) EN 60950-1:2006+A11:2009+A1:2010+A12:2011

(4) EN 50385:2002

FCC

We, Kirisun Communications Co.,Ltd. 3-6Flrs, ROBETA Building, No.1, QiMin Road, Song Ping Shan Area, Science&Industry Park, Nanshan District Shenzhen 518057 P.R. China

Declare on our sole responsibility that this equipment complies with the FCC Part15 rules. These limits are designed to provide reasonable protection against harmful interference in a residential installation. This equipment generates and can radiate radio frequency energy and, if not installed and used in accordance with the instructions, may cause harmful interference to radio communications. However, there is no guarantee that interference will not occur in a particular installation. If this equipment does cause harmful interference to radio or television reception, which can be determined by turning the equipment off and on, the user is encouraged to try to correct. The interference by one or more of the following measures:

- Reorient or relocate the receiving antenna. Increase the separation between the equipment and receiver.
- Connect the equipment into an outlet on a circuit different from that to which the receiver is

connected.

- Consult the dealer or an experienced radio/TV technician for help. Operation is subject to the following two conditions: 1.This device may not cause harmful interference, and 2. This device must accept any interference received, including interference that may cause undesired operation.

Note:” Changes or modifications to this unit not expressly approved by the party responsible for compliance could void the user’s authority to operate the equipment.”

1. Safety

Before using this radio, read this operating instruction carefully for safe and convenient usage.

This product can only be maintained by the professional technicians. Do not disassemble the radio by yourself.

To avoid of the problems caused by electromagnetic interference or electromagnetic compatibility, turn off the radio in any facilities where posted notices instruct you to do so, such as hospital and other health care facilities. And when on board an aircraft, turn off the radio if instructed to do so too.

In the vehicle with an air bag, do not place the radio in the area over an air bag or in the air bag deployment area.

Turn off the radio before entering any area with a potentially explosive atmosphere or blasting caps. Do not operate the radio, disassemble or charge the battery in the potentially flammable and explosive atmosphere (such as gas station, coal gas station, etc.).

Do not place the radio under the direct sunlight or near the area with heating devices.

Do not place the radio in the area with great dust, moisture or drips, or on the unstable surface.

Contact us or your local dealer for help if you want to redevelop or modify the radio.

Do not use any portable radio that has a damaged antenna. If a damaged antenna comes into contact with your skin, a minor burn can result.

Make sure the antenna is correctly installed when using. The radio without antenna may cause damage in the process of transmission.

2. First Use

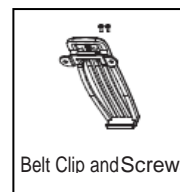
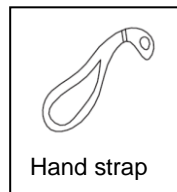
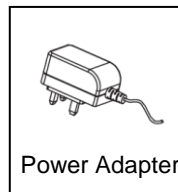
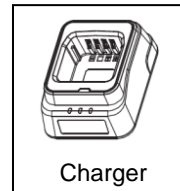
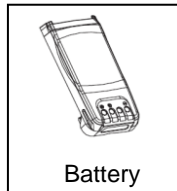
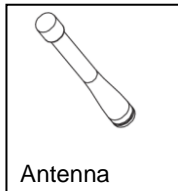
2.1 Unpacking and Checking

■ Standard Accessories

Please unpack carefully and check all the items listed in the following table before discarding the

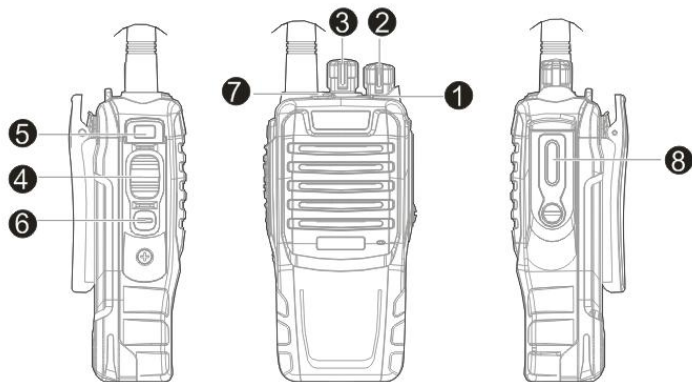
packing material. If any damage or loss occurs during shipment, please contact your dealer.

Item	Quantity
Antenna	1
Belt Clip	1
Charger	1
Battery	1
Hand Strap	1
Power Adapter	1
Instruction Manual	1



2.2 Product Overview

■ Identification of buttons



No	Part Name	No	Part Name
1	LED Indicator	5	Side Button1
2	Power/Volume Switch	6	Side Button2
3	Channel Knob	7	Top Button
4	PTT Button	8	External speaker / microphone interface

■ Programmable Buttons

Authorized Dealer can program the programmable buttons as shortcuts to various radio features. Each button can have two features and can be activated through Long Press or Short Press.



Note:

Short Press – Pressing and releasing quickly

Long press – Pressing and holding for the programmed duration

■ LED Status Indicator

The LED indicator shows the operational status of your radio.

Solid red – Radio is transmitting

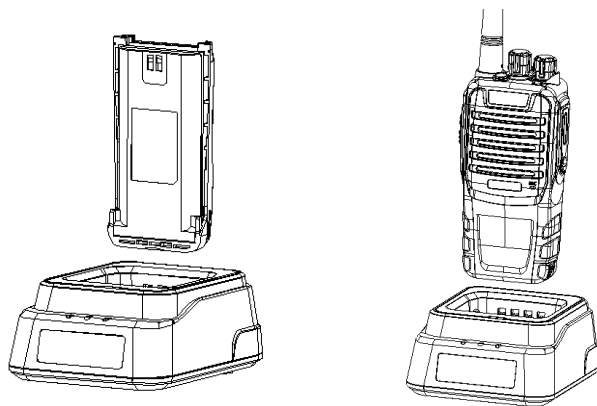
Solid green- Radio is powering up or receiving a non-privacy-enabled call or data, or detecting activity over the air.

2.3 Preparing your product for use

■ Charging the Battery

Please refer to the following steps to charge your batter.

- 1) Plug the adaptor in the rear power jack of the intelligent charger, and plug the adaptor into the suitable AC socket. The three LED lights will flash for about one second and turn green when everything is properly set.
- 2) Put the battery or the radio with battery into the charger, and please turn off the radio before charging.
- 3) Make sure the battery is properly attached to the charger. The charging begins when the red light is on.
- 4) The red light is off after five-hour charging, and then the green light is on, indicating the charging is completed.

**Note:**

The yellow light flashing indicates abnormality in charging temperature or in the circuit, and the charger will then enter the state of protection. During this state, do not impose charging anymore and take out the battery before unplugging the charger.

Please use only the charger and battery provided by Kirusun.

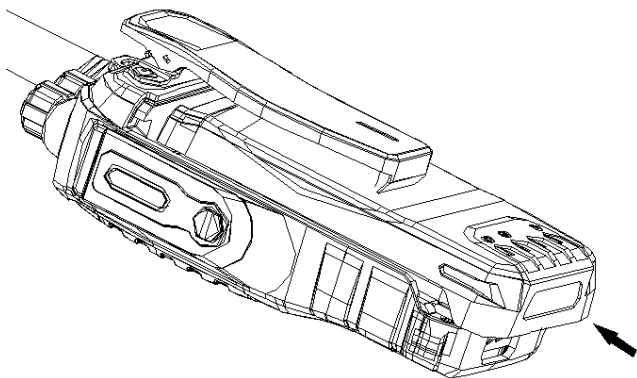
Charging LED Indicator

LED	Charging Status
Yellow light flashes.	Abnormality in charging temperature or in the circuit.
The red led lights.	The battery is in charging.
The green led lights.	The battery is full charged or Standby(no load)

■ Installing/Uninstalling the Battery

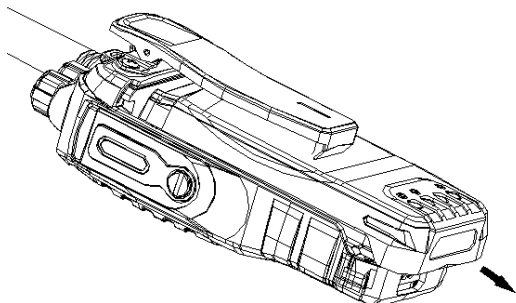
Installing the Battery

Press the top of the belt clip, and align the battery with the slots on the back of the radio. Press the battery firmly, and slide upward until the latch snaps into place.



Uninstalling the Battery

For detaching the battery, push downward the battery latch at the radio bottom and then push the battery in the direction of the arrow shown in the picture until the battery is completely detached from the radio.

**Note:**

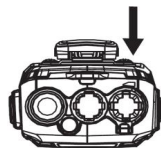
Please do not throw the short-circuit battery terminal or battery into fire. Please do not short-circuit the battery terminal or throw the battery into fire.

Do not disassemble the battery casing by yourself

3. Basic Operation

■ Powering on/off

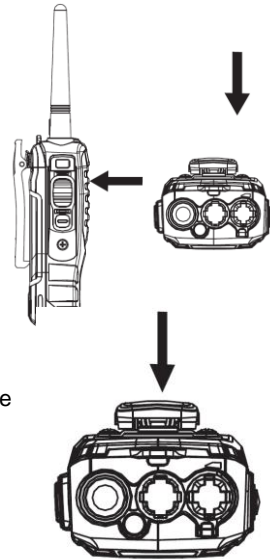
Turn the power/volume knob clockwise for powering on. If the dealer



set an alert tone, the radio will make a beep. Turn the power/volume knob counterclockwise for powering off.

■ Adjusting the Volume

To increase the volume, turn the Volume Knob clockwise. To decrease the volume, turn this knob counterclockwise.



■ Selecting a Channel

Turn the channel knob to select the channel you need. A sound from the speaker indicates that the valid signal is received.

■ Push-To-TALK (PTT) Button

The PTT button in the radio's side (Push To Talk, press to talk), this button have functions below:

To initiate a new call;

In the talking process, you can call other user of this channel.

Operation Steps:

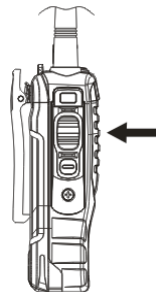
Hold the radio vertically 1 to 2 inches (2.5-5.0 cm) from your mouth. Then press and hold the PTT button and speak clearly into the microphone. Release PTT button to receive.

■ Selecting a Zone

A zone is a group of channels. Your radio supports up to a maximum 2 zones with every zone supporting up to a maximum of 16 channels.

Procedure:

- 1) Press the programmed zone button
- 2) A positive alert tone indicates the radio switched from zone 1 to zone 2.



A negative alert tone indicates the radio switched from zone 2 to zone 1.

■ **Selecting a Radio Channel Procedure:**

Once the required zone is programmed (if you have multiple zones in your radio), turn the Channel Selector Knob to select the channel.

4. Making/Receiving a Call

■ **Making a Call**

Hold down the PTT button to initial a call to the default contact which has set for current channel in programming software. The contact can be set to private call, group call or all call by programming software.

■ **Receiving and Answering a Call**

When a call is receive, the green LED lights on, you can hear the talking. After receiving, you can press and hold on the PTT button to reply this call within call hang time duration.

5. Other Functions

Except making a call and receiving a call, the radio also supports many other functions. These functions need to be programmed before using. You can connect your local dealer to use these functions.

Functions	
Send a Message	You can send a quick message by one touch button
Radio Enable encode	Allows stolen/lost radios to be enabled over the air.
Radio Disable encode	Allows stolen/lost radios to be disabled over the air.
Radio Check Decode	It checks whether radios are active on system without disturbing user.
Call Alert	Enables a user to page another and request a return call when convenient.
Remote Monitor Decode	Enables supervisor radios to listen in on remote radios to maximize employee safety and

	instantly assess situation.
Digital Encryption	Enhance communication security.
Emergency	Variety emergency calls can be confirmed to maximize employee safety.
Scan	A scan helps ensure all relevant calls are heard.
DTMF Encode and Decode	DTMF function can allow users to send a PTT ID or realize kinds of calls.

6. Troubleshooting

No.	Problem	Causes and Solutions
1	Powered-on Failure	<p>A. The battery may be used up. Charge or change the battery to try again.</p> <p>B. The On/Off key may be in poor contact. Clean the metal dome with alcohol and try again.</p>

		<p>C. The power binding post isn't connected with battery. Re-install it and try again.</p>
2	Communication Failure	<p>A. The frequency settings may be different from others. Set your TX/RX frequencies to be the same as others.</p> <p>B. The CTCSS/CDCSS signaling maybe different from others. Set your CTCSS/CDCSS signaling to be the same as others.</p> <p>C. Beyond the radio's coverage area. Your place may be too far from the others.</p>
3	Failed Receiving of Signal	<p>A. The antenna may get loose or may be improperly installed – Re-install the antenna.</p> <p>B. The frequency settings may be different from others. Set your TX/RX frequencies to be the same as others.</p> <p>C. Beyond the radio's coverage area. Your place may be too far from the others.</p>

4	The LED lights up solid green without any voice received	A. Check whether the volume level is at its lowest or not. Increase the volume level and try again. B. Check whether the speaker is broken or not. Change the speaker and try again.
5	Failed CPS Programming	A. Wrong wire connection. Check and try again. B. Check if the USB driver is installed or not. Install a USB driver and try again. C. Poor contact of the earpiece interface board – Change the earpiece interface board and try again.

FCC Statements:

Any Changes or modifications not expressly approved by the party responsible for compliance could void the user' s authority to operate the equipment.

This device complies with part 15 of the FCC Rules. Operation is subject to the following two conditions:

- 1) This device may not cause harmful interference, and
- 2) this device must accept any interference received, including interference that may cause undesired operation.

FCC Radiation Exposure Statement:

This equipment complies with FCC radiation exposure limits set forth for an controlled environment.

This transmitter must not be co-located or operating in conjunction with any other antenna or transmitter.

RF Exposure Compliance and Control Guidelines and Operating Instructions

To control your exposure and ensure compliance with the occupational/controlled environment exposure limits always adhere to the following procedures.

Guidelines:

Do not remove the RF Exposure Label from the device.

User awareness instructions should accompany device when transferred to other users.

Do not use this device if the operational requirements described herein are not met.

Attention:

This radio complieswith IEEE and ICNIRP exposure limits for occupational/controlled RF exposure environment at operating duty factors of up to 50% and is authorized by the FCC for occupational use only.

An appropriate warning label is affixed to all units. In order to comply with RF exposure requirements, a minimum distance of 2.5cm must be maintained when held-to-face, and body-worn operations are restricted to the approved original accessories (belt clip).

Do not use this device when antenna shows obvious damages

IC RSS warning

This device complies with Industry Canada licence-exempt RSS standard (s). Operation is subject to the following two conditions: (1) this device may not cause interference, and (2) this device must accept any interference, including interference that may cause undesired operation of the device.

Le présent appareil est conforme aux CNR d'Industrie Canada applicables aux appareils radio exempts de licence. L'exploitation est autorisée aux deux conditions suivantes:

(1) l'appareil ne doit pas produire de brouillage, et

(2) l'utilisateur de l'appareil doit accepter tout brouillage radioélectrique subi, même si le brouillage est susceptible d'en compromettre le fonctionnement.

Under Industry Canada regulations, this radio transmitter may only operate using an antenna of a type and maximum (or lesser) gain approved for the transmitter by Industry Canada. To reduce potential radio interference to other users, the antenna type and its gain should be so chosen that, the equivalent isotropically radiated power (e.i.r.p.) is not more than that necessary for successful communication.

Conformément à la réglementation d'Industrie Canada, le présent émetteur radio peut fonctionner avec une antenne d'un type et d'un gain maximal (ou inférieur) approuvé pour l'émetteur par Industrie Canada.

Dans le but de réduire les risques de brouillage radioélectrique à l'intention des autres utilisateurs, il faut choisir le type d'antenne et son gain de sorte que la puissance isotrope rayonnée équivalente (p.i.r.e.) ne dépasse pas l'intensité nécessaire à l'établissement d'une communication satisfaisante.



Kirisun Communications Co.,Ltd.
<http://en.kirisun.com>