

DOOR AND PANEL PARTS

For Models: KUDS30FXBLO, KUDS30FXWH0, KUDS30FXSS0

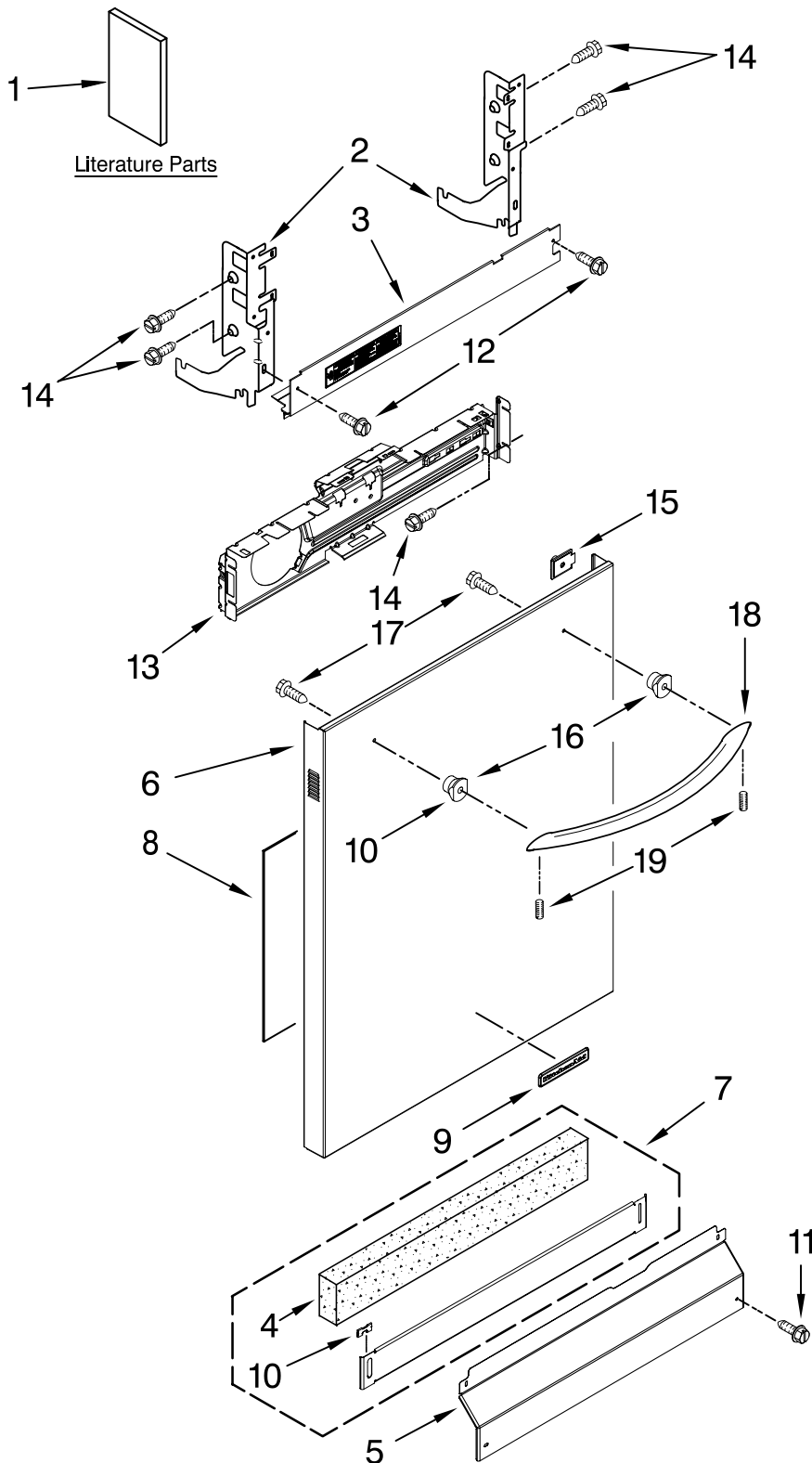
KitchenAid®

(Black)

(White)

(Stainless)

UNDERCOUNTER
DISHWASHER

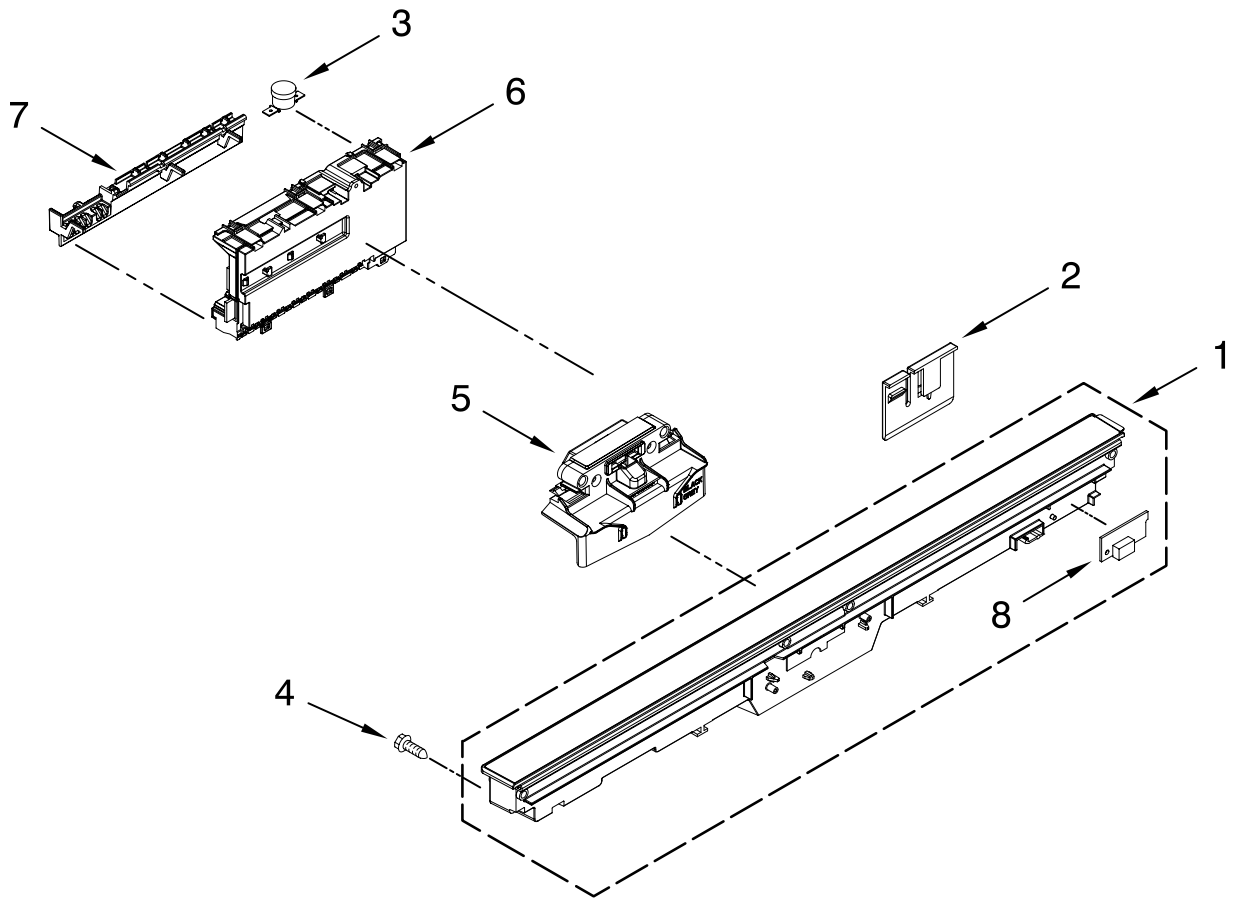


Illus. No.	Part No.	DESCRIPTION
1		Literature Parts
	W10300598	Instructions, Installation
	W10300932	Energy Guide
	W10300928	Guide, Use & Care English/French
	W10300596	Guide, Use & Care Spanish
	W10195615	Tech Sheet/English
	W10195616	Tech Sheet/French
2		Arm, Hinge
	8534854	Left
	8534853	Right
3	W10321449	Vapor Barrier Assembly
4	8268581	Insulation Toe Panel
5		Access Panel
	W10195777	Black
	W10195778	White
6		Panel, Full Front (Includes Items 9 & 15)
	W10195873	Black
	W10195872	White
	W10195870	Stainless
7		Toe Panel (Includes Item 15)
	8558252	Black
	8558253	White
8	W10315897	Insulation Front Panel
9		Nameplate
	W10243392	Black
	W10243393	White
	W10243391	Stainless
10	8269016	Clip, Grounding
11		Screw
	302868	Black
	3400836	White
12	304392	Screw
13	W10194911	Bracket, Panel Control
14	3400071	Screw
15	W10319007	Light, Pipe
16	W10195726	Stud
17	W10316572	Screw
18		Handle, Assembly
	W10195735	Black
	W10195736	White
	W10195738	Stainless
19	W10307614	Screw

FOR ORDERING INFORMATION REFER TO PARTS PRICE LIST

CONTROL PANEL PARTS

For Models: KUDS30FXBL0, KUDS30FXWH0, KUDS30FXSS0
 (Black) (White) (Stainless)

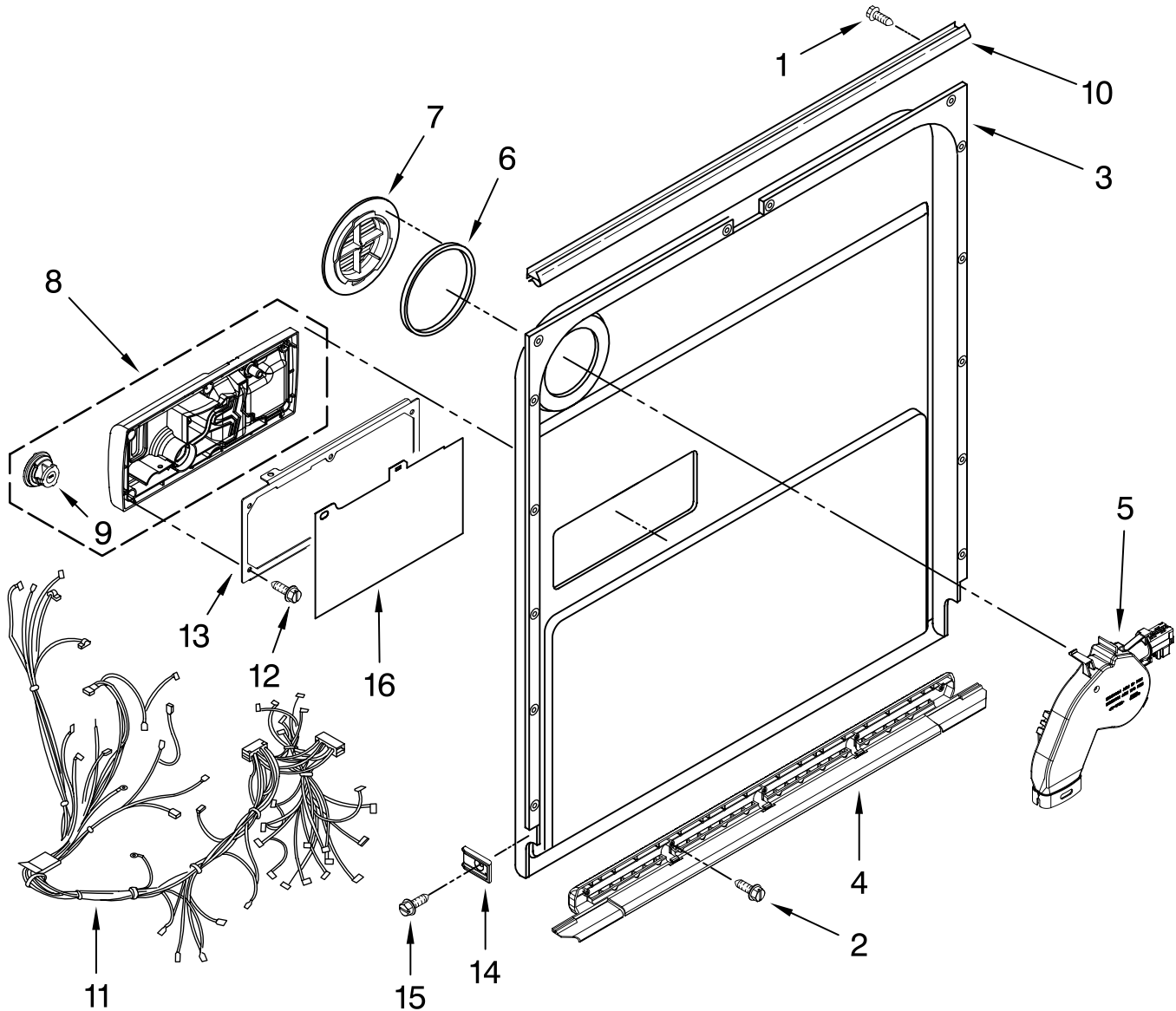


Illus. No.	Part No.	DESCRIPTION
1	W10195563	Console Assembly Black
	W10195564	White
	W10195793	Stainless
2	W10195237	Clip, Control
3	W10195528	Bi-Metal
4	3369051	Screw
5	W10195093	Latch Assembly (Includes Switch)
6	W10195348	Control, Electronic
7	W10194937	Brace, Connector
8	W10195836	Light, Status

FOR ORDERING INFORMATION REFER TO PARTS PRICE LIST

INNER DOOR PARTS

For Models: KUDS30FXBL0, KUDS30FXWH0, KUDS30FXSS0
(Black) (White) (Stainless)



Illus. No.	Part No.	DESCRIPTION
1	3369051	Screw, Door
2	8281217	Screw
3	W10195604	Inner Door & Mastic Assembly (Also Order Item 6)
4	W10195543	Seal-Door Bottom

Illus. No.	Part No.	DESCRIPTION
5	W10195031	Vent Assembly (Also Order Item 6)
6	8269259	Gasket, Vent
7	W10195032	Deflector, Vent (Also Order Item 6)
8	W10195174	Dispenser, Assembly
9	W10077881	Knob, Rinse Aid
10	W10195007	Seal, Console/Door

Illus. No.	Part No.	DESCRIPTION
11	W10195525	Wiring Harness
12	W10177098	Screw
13	8535637	Bracket Dispenser
14	W10195837	Barrier, Vapor Door
15	3400071	Screw
16	W10319030	Shield, Dispenser

FOR ORDERING INFORMATION REFER TO PARTS PRICE LIST

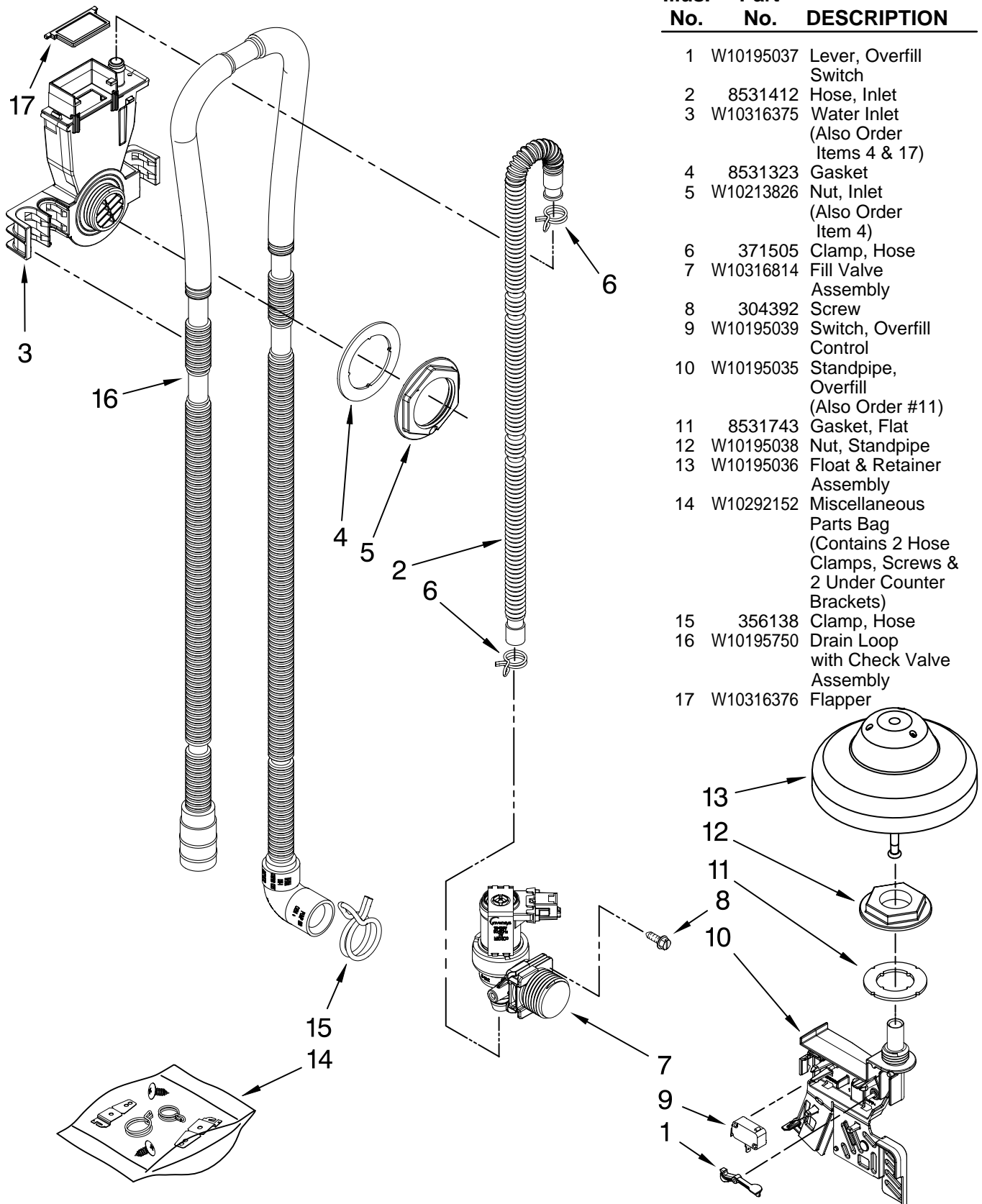
FILL, DRAIN AND OVERFILL PARTS

For Models: KUDS30FXBL0, KUDS30FXWH0, KUDS30FXSS0

(Black)

(White)

(Stainless)

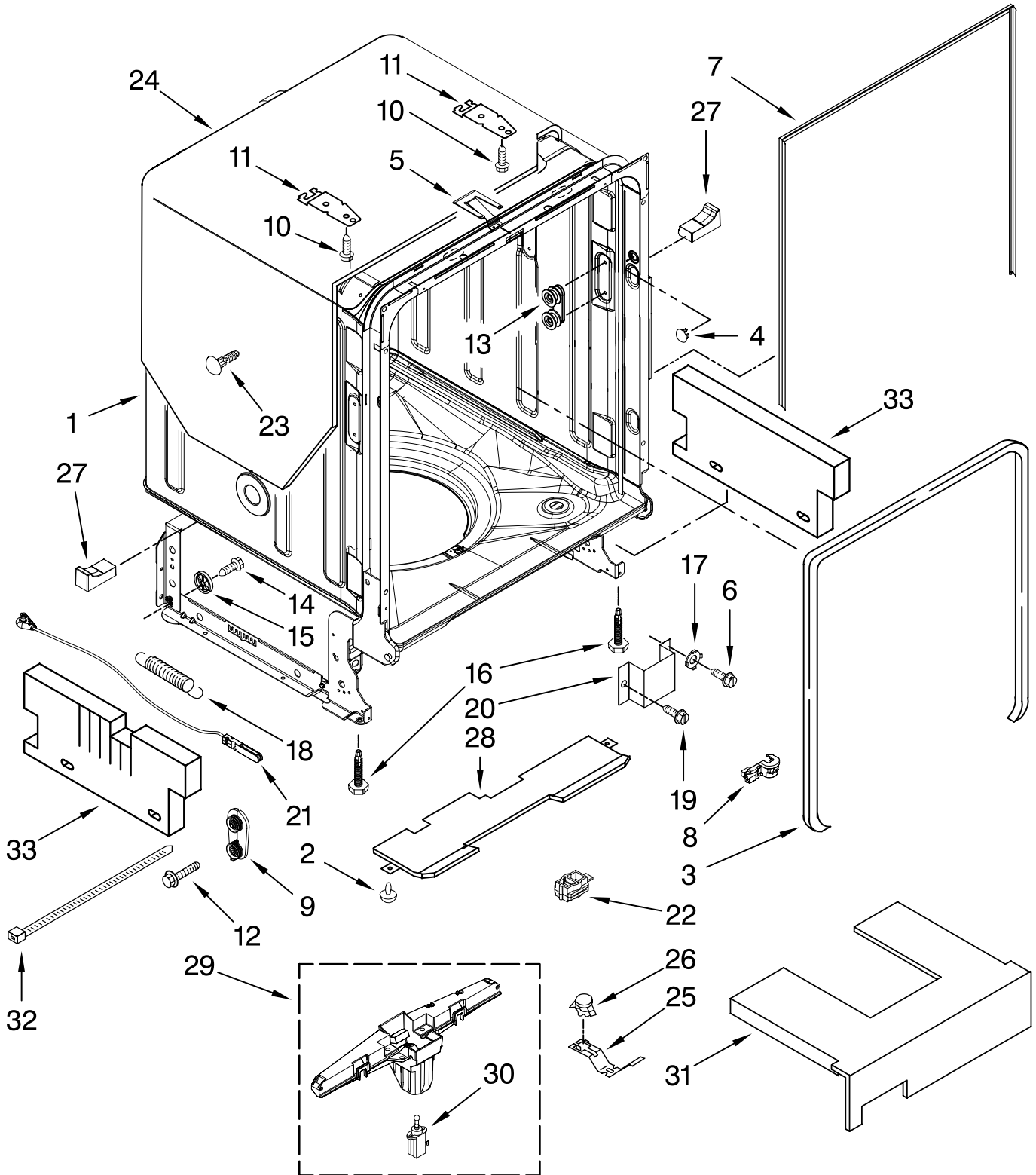


Illus. No.	Part No.	DESCRIPTION
1	W10195037	Lever, Overflow Switch
2	8531412	Hose, Inlet
3	W10316375	Water Inlet (Also Order Items 4 & 17)
4	8531323	Gasket
5	W10213826	Nut, Inlet (Also Order Item 4)
6	371505	Clamp, Hose
7	W10316814	Fill Valve Assembly
8	304392	Screw
9	W10195039	Switch, Overflow Control
10	W10195035	Standpipe, Overflow (Also Order #11)
11	8531743	Gasket, Flat
12	W10195038	Nut, Standpipe
13	W10195036	Float & Retainer Assembly
14	W10292152	Miscellaneous Parts Bag (Contains 2 Hose Clamps, Screws & 2 Under Counter Brackets)
15	356138	Clamp, Hose
16	W10195750	Drain Loop with Check Valve Assembly
17	W10316376	Flapper

FOR ORDERING INFORMATION REFER TO PARTS PRICE LIST

TUB AND FRAME PARTS

For Models: KUDS30FXBL0, KUDS30FXWH0, KUDS30FXSS0
(Black) (White) (Stainless)



FOR ORDERING INFORMATION REFER TO PARTS PRICE LIST

TUB AND FRAME PARTS

For Models: KUDS30FXBL0, KUDS30FXWH0, KUDS30FXSS0

(Black)

(White)

(Stainless)

Illus. No.	Part No.	DESCRIPTION
1	W10194904	Tub Assembly (Also Includes Heater Assembly)
2	3400924	Retainer, Push
3	W10300924	Seal, Door
4	W10082838	Plug, Tub
5	W10195163	Strike, Plate
6	3400014	Screw
7	W10179427	Seal, Cabinet
8	8573061	Strain Relief
9	W10084086	Door, Balance Assembly
10	3367670	Screw
11	8269145	Bracket, Undercounter
12	3400074	Screw
13	W10195330	Wheel, Tub
14	3370389	Screw
15	8268977	Wheel Leg
16	8524584	Leveler, Leg
17	3378128	Washer Pronged Cup
18	8270020	Spring, Door Balance
19	3400892	Screw
20	8268991	Cover, Terminal Box
21	W10158291	Cable, Door Assembly
22	W10292870	Protector
23	304666	Retainer, Push
24	8573239	Shield, Sound Tub
25	W10195090	Bracket, Thermostat
26	W10195091	Thermostat
27		Spacer, Tub/Brace
	W10195630	Left
	W10195631	Right
28	W10195367	Insulation Bottom
29	8572661	Actuator Assembly
30	W10082769	Motor, Wax
31	W10084568	Absorber, Motor
32	8539404	Wrap-Tie
33	W10275523	Side Shield (Right & Left)

FOR ORDERING INFORMATION REFER TO PARTS PRICE LIST

PUMP, WASHARM AND MOTOR PARTS

For Models: KUDS30FXBL0, KUDS30FXWH0, KUDS30FXSS0

(Black)

(White)

(Stainless)

Illus. No.	Part No.	DESCRIPTION
1	8534952	Accumulator Assm.
2	8283527	Shield
3	W10348405	Screw
4	8572618	Sump With Seal
5	8268375	Check Valve, Sump
6	W10083957	Chopper Assm.
7	9741232	Screw
8	8531857	Protector Inlet
9	W10239404	Motor Assembly
10	3400217	Screw
11	W10084567	Screen, Separation
12	W10237169	Sump & Motor Assembly
13	W10300599	Tab, Sump
14	8533949	Nut
15	8558995	Pump, Drain
16	W10142656	Volute w/Seal (Also Order Items 19 & 21)
17	8269144	Hose, Drain
18	W10239401	Motor
19	8531018	Washer
20	8531018	Washer (Also Order Item 19)
21	8268403	Face Seal Assembly (Also Order Item 19)
22	8269146	Clamp, Hose
23	W10134017	Optical Water Indicator
24	W10334457	Capacitor

FOR ORDERING INFORMATION REFER TO PARTS PRICE LIST

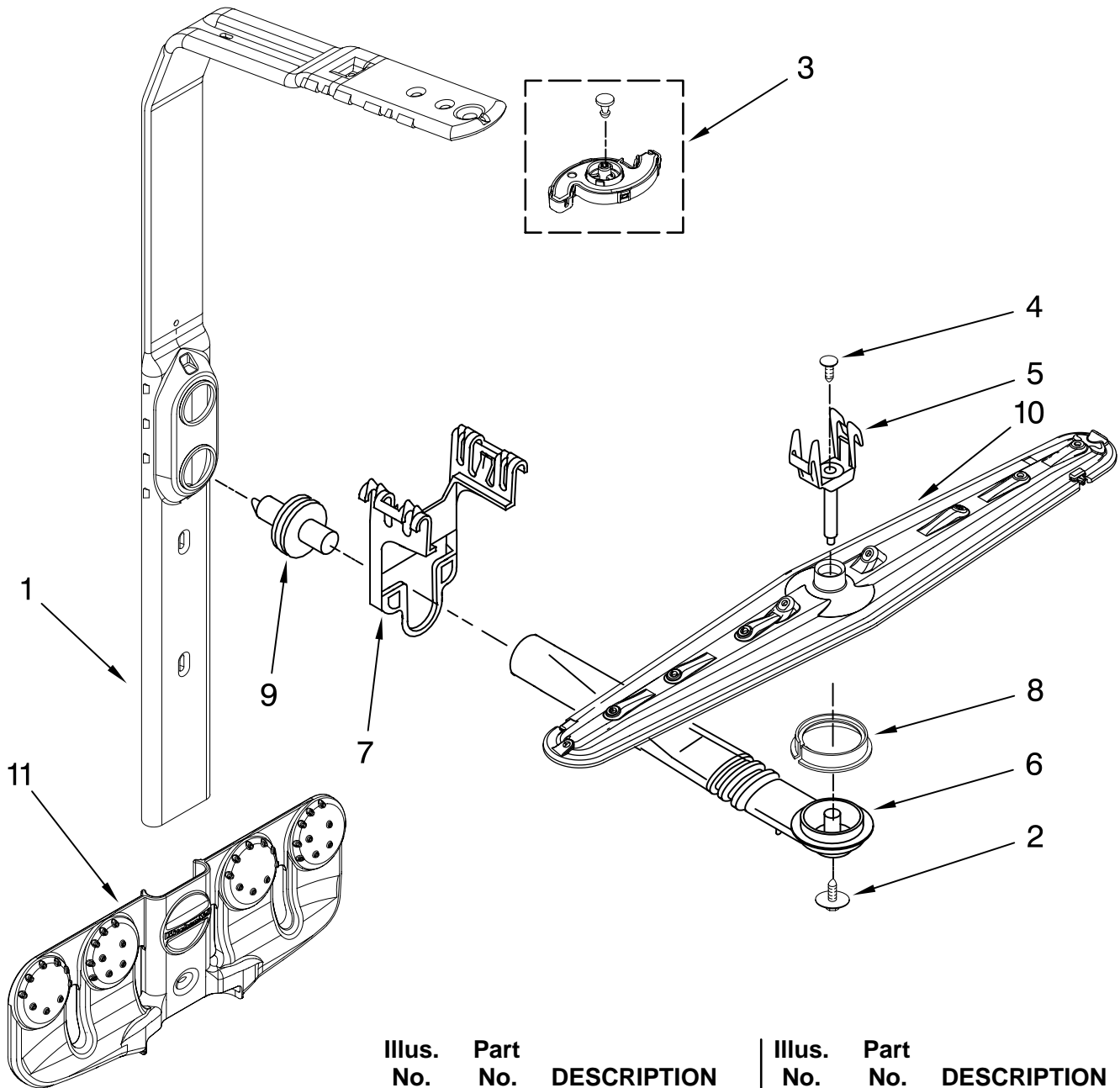
UPPER WASH AND RINSE PARTS

For Models: KUDS30FXBL0, KUDS30FXWH0, KUDS30FXSS0

(Black)

(White)

(Stainless)



Illus. No.	Part No.	DESCRIPTION
------------	----------	-------------

- | | | |
|---|-----------|--|
| 1 | W10077859 | Feed Tube Assembly
(Also Includes Item 3) |
| 2 | 8533889 | Screw |
| 3 | 8557720 | Sprayarm, 3rd Level |
| 4 | W10118464 | Cover, Screw |
| 5 | W10082867 | Mount |

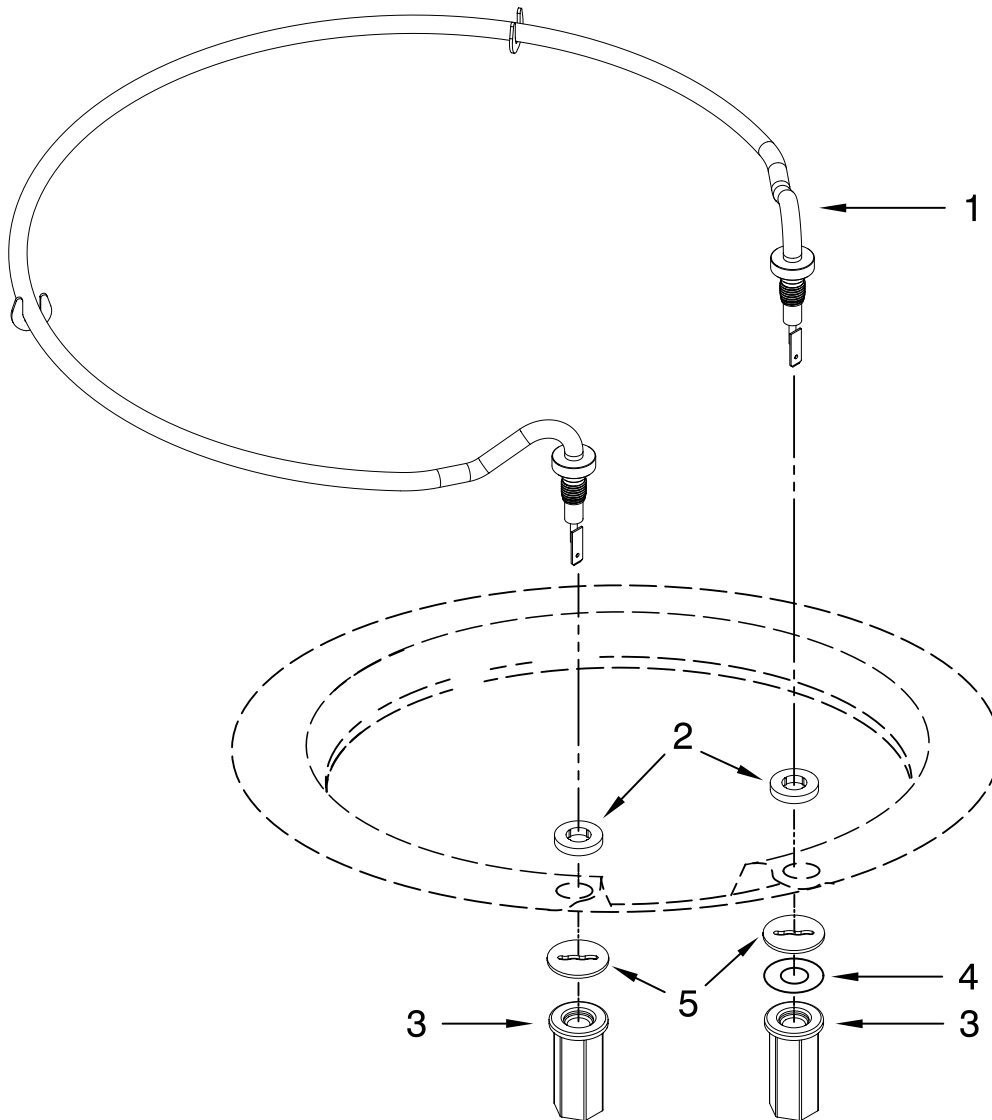
Illus. No.	Part No.	DESCRIPTION
------------	----------	-------------

- | | | |
|----|-----------|--------------------------|
| 6 | W10323424 | Manifold |
| 7 | W10082832 | Hanger |
| 8 | 8268433 | Seal, Sprayarm |
| 9 | W10082831 | Probe, Manifold |
| 10 | W10082841 | Sprayarm |
| 11 | W10077600 | Manifold Turbozone |
| 12 | W10077903 | Valve Assembly, Manifold |

FOR ORDERING INFORMATION REFER TO PARTS PRICE LIST

HEATER PARTS

For Models: KUDS30FXBL0, KUDS30FXWH0, KUDS30FXSS0
 (Black) (White) (Stainless)



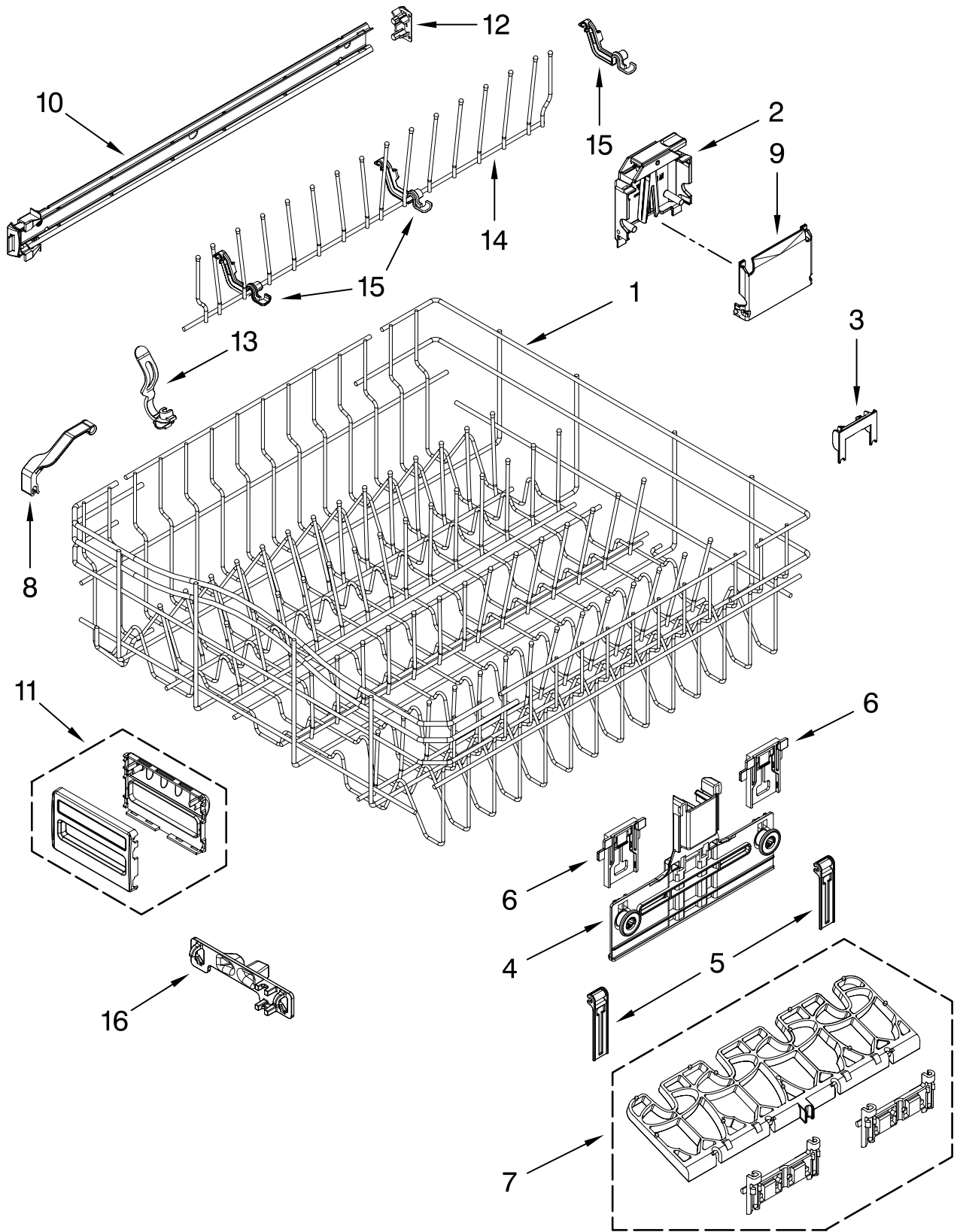
Illus. No.	Part No.	DESCRIPTION
1	W10195052	Heater Element Assembly (Also Includes Item 2)
2	717273	Washer, Heater Element
3	8268548	Nut, Heater Element
4	3400931	Retainer, Spring Grip
5	W10343251	Shield, Heater Nut

NOTE: If heater element is removed, it must be replaced.

FOR ORDERING INFORMATION REFER TO PARTS PRICE LIST

UPPER RACK AND TRACK PARTS

For Models: KUDS30FXBL0, KUDS30FXWH0, KUDS30FXSS0
(Black) (White) (Stainless)



FOR ORDERING INFORMATION REFER TO PARTS PRICE LIST

UPPER RACK AND TRACK PARTS

For Models: KUDS30FXBL0, KUDS30FXWH0, KUDS30FXSS0

(Black)

(White)

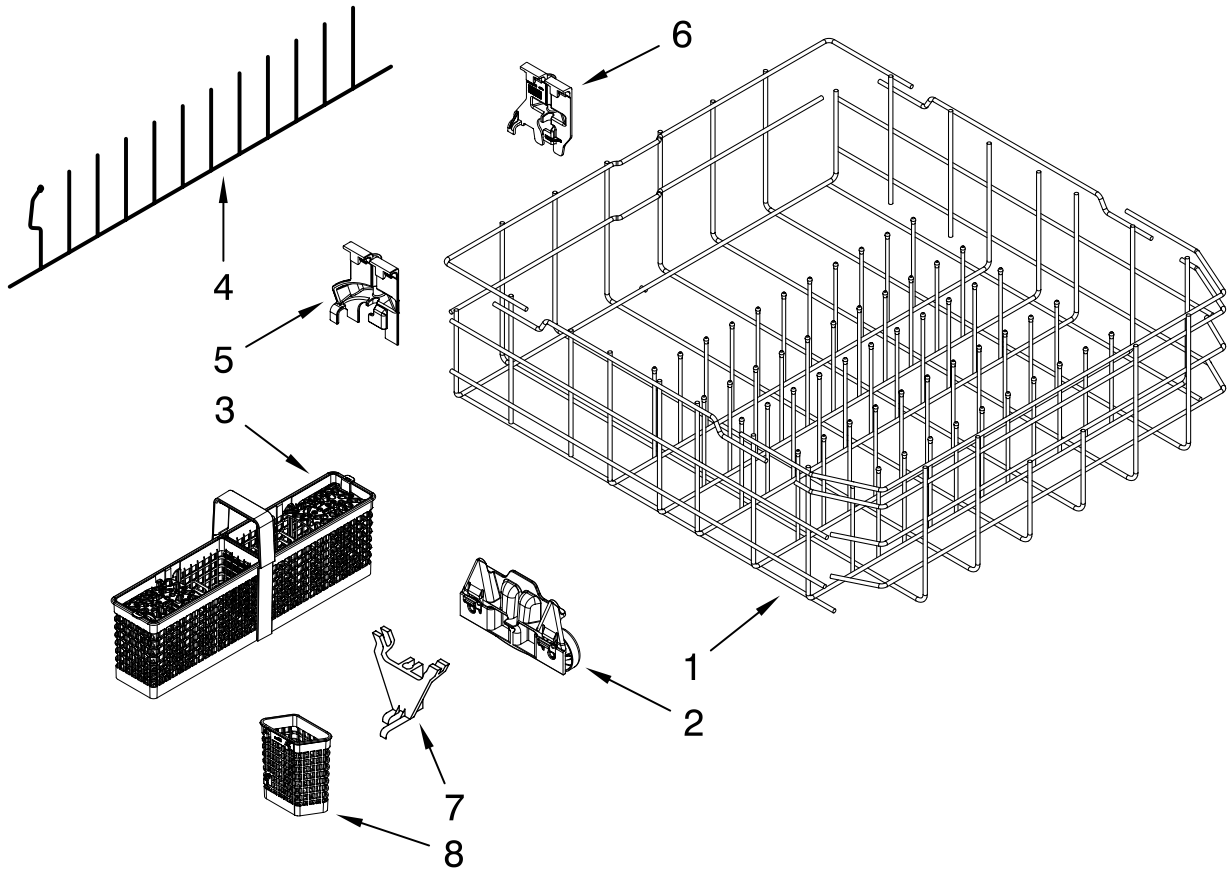
(Stainless)

Illus. No.	Part No.	DESCRIPTION
1	W10312791	Dishrack, Upper
2		Housing, Adjuster
	W10320664	Left Hand
	W10320665	Right Hand
3	W10250160	Clip-Lock Adjuster Arm
4	W10253546	Adjuster Assembly
5	W10195839	Strap, Tether Adjuster
6	W10195840	Positioner, Adjuster
7	W10082649	Cup, Shelf
8	W10267076	Clip, Dispenser Guard
9	W10250162	Cover, Adjuster
10	W10324563	Track, Assembly
11	W10282826	Handle, Dishrack
12	W10195622	Stop, Track Non-Removable
13	W10077844	Clip, No Flip
14	8562030	Tine Row
15	W10082853	Clip, Pivot
16	8539102	Positioner, Dual

FOR ORDERING INFORMATION REFER TO PARTS PRICE LIST

LOWER RACK PARTS

For Models: KUDS30FXBL0, KUDS30FXWH0, KUDS30FXSS0
 (Black) (White) (Stainless)



Illus. No.	Part No.	DESCRIPTION
1	W10056271	Lower Rack
2	W10195416	Wheel & Transport Assembly
3	W10195723	Basket, Silverware
4	W10056272	Tine, Row
5	W10078215	Retainer, Tine Row (Combo)
6	W10175279	Retainer, Tine Row (Single)
7	W10078227	Clip, Pivot
8	W10195661	Basket, Utensil

FOR ORDERING INFORMATION REFER TO PARTS PRICE LIST

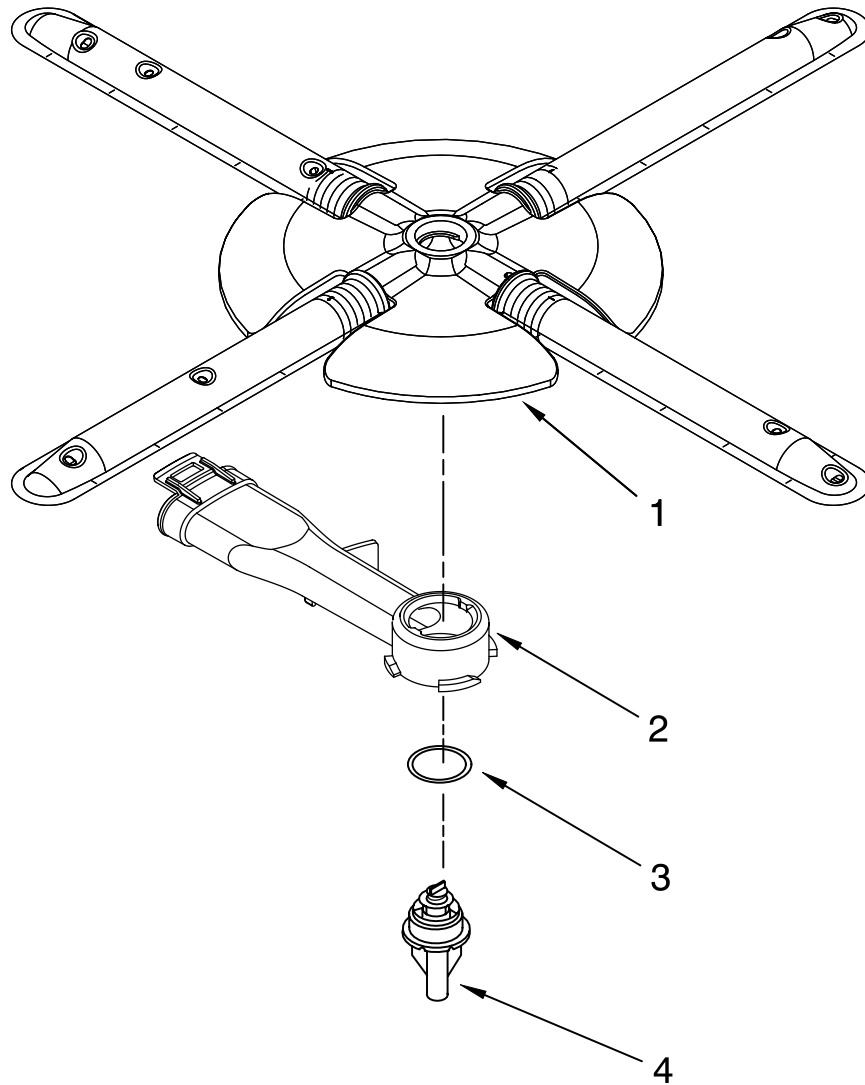
LOWER WASHARM AND STRAINER PARTS

For Models: KUDS30FXBL0, KUDS30FXWH0, KUDS30FXSS0

(Black)

(White)

(Stainless)



Illus. No.	Part No.	DESCRIPTION
1	W10320510	Washarm Assembly
2	W10077899	Cap, Internal Rear Feed (Also Order Item 3)
3	8268340	Seal, Sprayarm
4	W10077898	Hub, Lower Sprayarm (Also Order Item 3)

FOR ORDERING INFORMATION REFER TO PARTS PRICE LIST

OPTIONAL PARTS (NOT INCLUDED)

For Models: KUDS30FXBL0, KUDS30FXWH0, KUDS30FXSS0

(Black)

(White)

(Stainless)

Illus. No.	Part No.	DESCRIPTION
<u>ACCESSORIES</u>		
	Side Panel Kits	
	8171656	White
	8171657	Black
	8171658	Biscuit
	8171659	Stainless Steel
	Custom Panel & Trim Kit	
	8212489	Black
	Architect II Handles	
	W10195738A	Stainless Steel
	W10195735A	Black
	W10195736A	White
	W10195737A	Biscuit
	Drain Hose	
	3385556	12 Ft.
	Vinyl Touch-Up (4oz.)	
	676453	White
	676455	Grey
	4396853	Silver Atlantis
	Moisture Barrier Kit	
	4396277	Kit

Illus. No.	Part No.	DESCRIPTION
<u>PAINT, TOUCH-UP (1/2oz.)</u>		
	72017	White
	72032	Black
	4392899	Biscuit
	4396603	Meteorite
<u>PAINT, PRESSURIZED SPRAY (12 oz.)</u>		
	350930	White
	285006	Superior Black
	4392901	Biscuit
<u>PAINT, BULK (1 qt.)</u>		
	799344	White (Uncut)
	4392900	Biscuit

Illus. No.	Part No.	DESCRIPTION
<u>POWER CORD KIT</u>		
	4317824	Power Cord Kit (Includes Power Cord & Misc. Hardware)
<u>ANTI-TIP KIT</u>		
	8171477	Floor Mount Kit
	8212560	Side Mount Kit
<u>DISHRACK REPAIR</u>		
	4396838	White
	4396840	Grey
	4396854	Silver Atlantis

FOR ORDERING INFORMATION REFER TO PARTS PRICE LIST