



COMMERCIAL STYLE DUAL FUEL CONVECTION RANGES WITH STEAM-ASSIST

Use & Care Guide

For questions about features, operation/performance, parts, accessories or service, call: 1-800-422-1230

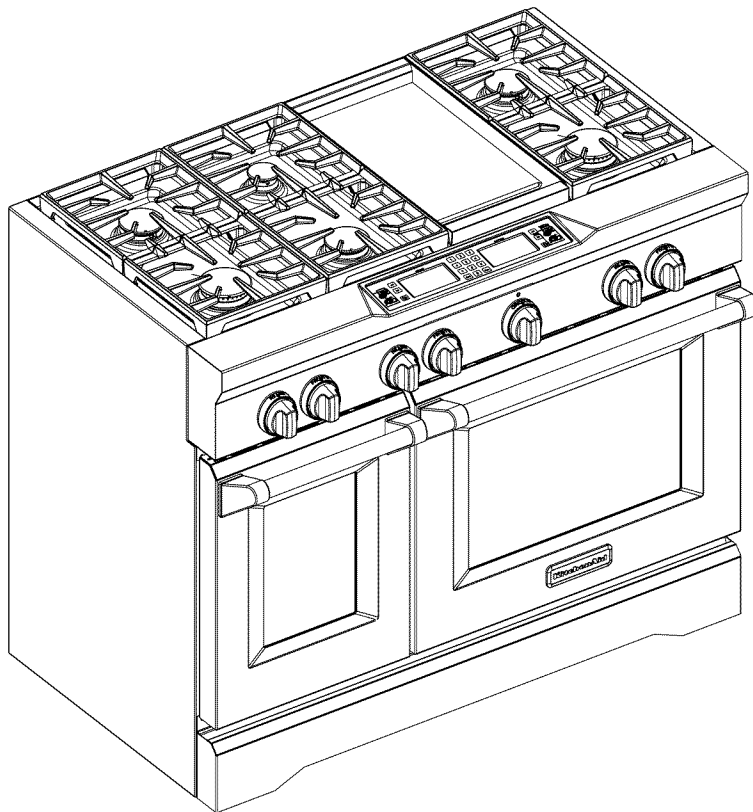
In Canada, for assistance, installation and service, call: 1-800-807-6777 or visit our website at www.kitchenaid.com or www.KitchenAid.ca

CUISINIÈRES À CONVECTION AVEC INJECTION DE VAPEUR - STYLE COMMERCIAL À BI-COMBUSTIBLE

Guide d'utilisation et d'entretien

Au Canada, pour assistance, installation ou service composez le 1-800-807-6777 ou visitez notre site web à www.KitchenAid.ca

Table of Contents/Table des matières..... 2



Models/Modèles KDRU707 KDRU763 KDRU767 KDRU783

W10285549A

TABLE OF CONTENTS

RANGE SAFETY	4	Oven Vent	22
The Anti-Tip Bracket	5	Baking and Roasting	22
PARTS AND FEATURES	7	True-Broil™ Reflector Full and Center Broiling	22
COOKTOP USE	9	Dual Fan True Convection Cooking	23
Cooktop Controls	9	Convection Bake	24
Cooktop Surface	10	Convection Roast	25
Sealed Surface Burners	10	Convection Broil	25
Even-Heat™ Chrome Electric Griddle	11	EasyConvect™ Conversion	26
Cookware	12	Proofing Bread	26
Home Canning	12	STEAM-ASSISTED COOKING	27
ELECTRONIC OVEN CONTROLS	13	Auto Steam	27
Control Panel	13	Auto Steam Settings	27
Glass-Touch Menu Driven Display	13	Manual Steam	29
Main Menus	14	Keep Warm	29
Menu Demonstration	15	Temperature Probe	30
Settings	16	Timed/Delay Cooking	31
Sound (Tones)	16	COOKING CHARTS	32
Display Contrast	16	Bread Baking Chart	32
Temp Format (Fahrenheit and Celsius)	16	Casseroles Baking Chart	33
Calibration (Oven Temperature Control)	16	Desserts Baking Chart	33
Water Filter/Filtration System	16	Auto Steam Vegetable Cooking Chart	34
Learn Mode	17	Auto Steam Seafood Cooking Chart	34
Sabbath Mode	17	Manual Steam Cooking Chart	34
Languages	19	Auto Steam Meats and Poultry Roasting Chart	35
Clock	19	RANGE CARE	37
Start	19	Self-Cleaning Cycle	37
Timer	19	Water Filter Cartridge Replacement	38
Off	19	General Cleaning	38
Control Lock	19	Oven Lights	39
OVEN USE	20	Oven Door	39
About Your Oven	20	TROUBLESHOOTING	40
Aluminum Foil	20	ASSISTANCE OR SERVICE	41
Bakeware	20	In the U.S.A.	41
Positioning Racks and Bakeware	20	Accessories	42
SatinGlide™ Roll-Out Extension Rack	21	In Canada	42
Meat Thermometer	21	WARRANTY	43

TABLE DES MATIÈRES

SÉCURITÉ DE LA CUISINIÈRE	46	Réflecteur True-Broil™	
La bride antibasculement.....	47	Cuisson au gril à pleine puissance et centrale	68
PIÈCES ET CARACTÉRISTIQUES	50	Cuisson par convection véritable à double ventilateur.....	69
UTILISATION DE LA TABLE DE CUISSON	52	Cuisson au four par convection.....	70
Commandes de la table de cuisson	52	Rôtissage par convection	71
Surface de la table de cuisson.....	53	Cuisson au gril par convection.....	71
Brûleurs de surface scellés	53	Conversion EasyConvect™	72
Plaque à frire chromée électrique Even-Heat™	54	Levée du pain	72
Ustensiles de cuisson	55	CUISSON AVEC INJECTION DE VAPEUR	73
Préparation de conserves à la maison	55	Cuisson à la vapeur automatique	73
COMMANDES ÉLECTRONIQUES DU FOUR	56	Réglages de cuisson à la vapeur automatique.....	73
Tableau de commande	57	Cuisson à la vapeur manuelle	75
Écran tactile en verre à menus.....	57	Garder au chaud.....	76
Menus principaux.....	58	Sonde thermométrique	77
Démonstration de menu	58	Cuisson minutée/différée	77
Réglages.....	59	TABLEAUX DE CUISSON	79
Sons (signaux sonores).....	60	Tableau de cuisson du pain	79
Contraste d'affichage.....	60	Tableau de cuisson des mets en sauce	80
Format de température (Fahrenheit et Celsius).....	60	Tableau de cuisson des desserts	81
Calibrage (commande de la température du four)	60	Tableau de cuisson à la vapeur automatique des légumes	81
Filtre à eau/système de filtration de l'eau.....	61	Tableau de cuisson à la vapeur automatique des fruits de mer	82
Mode d'apprentissage	61	Tableau de cuisson à la vapeur manuelle.....	82
Mode Sabbat.....	61	Tableau de rôtissage des viandes et de la volaille avec cuisson à la vapeur automatique	83
Langues	64	ENTRETIEN DE LA CUISINIÈRE	85
Horloge.....	64	Programme d'autonettoyage	85
Start (mise en marche)	64	Remplacement de la cartouche du filtre à eau.....	86
Minuterie.....	64	Nettoyage général	86
Off (arrêt).....	65	Lampes du four	88
Verrouillage de la commande	65	Porte du four.....	88
UTILISATION DU FOUR	65	DÉPANNAGE	89
À propos du four	65	ASSISTANCE OU SERVICE	91
Papier d'aluminium	65	Accessoires	92
Ustensiles de cuisson	66	GARANTIE	93
Positionnement des grilles et des ustensiles de cuisson	66		
Grille coulissante déployante SatinGlide™	67		
Thermomètre à viande	67		
Évent du four	67		
Cuisson au four et rôtissage	68		

RANGE SAFETY

Your safety and the safety of others are very important.

We have provided many important safety messages in this manual and on your appliance. Always read and obey all safety messages.



This is the safety alert symbol.

This symbol alerts you to potential hazards that can kill or hurt you and others.

All safety messages will follow the safety alert symbol and either the word “DANGER” or “WARNING.” These words mean:

⚠ DANGER

You can be killed or seriously injured if you don't immediately follow instructions.

⚠ WARNING

You can be killed or seriously injured if you don't follow instructions.

All safety messages will tell you what the potential hazard is, tell you how to reduce the chance of injury, and tell you what can happen if the instructions are not followed.

WARNING: If the information in this manual is not followed exactly, a fire or explosion may result causing property damage, personal injury or death.

- Do not store or use gasoline or other flammable vapors and liquids in the vicinity of this or any other appliance.
- WHAT TO DO IF YOU SMELL GAS:
 - Do not try to light any appliance.
 - Do not touch any electrical switch.
 - Do not use any phone in your building.
 - Immediately call your gas supplier from a neighbor's phone. Follow the gas supplier's instructions.
 - If you cannot reach your gas supplier, call the fire department.
- Installation and service must be performed by a qualified installer, service agency or the gas supplier.

WARNING: Gas leaks cannot always be detected by smell.

Gas suppliers recommend that you use a gas detector approved by UL or CSA.

For more information, contact your gas supplier.

If a gas leak is detected, follow the “What to do if you smell gas” instructions.

State of California Proposition 65 Warnings:

WARNING: This product contains a chemical known to the State of California to cause cancer.

WARNING: This product contains a chemical known to the State of California to cause birth defects or other reproductive harm.

The Anti-Tip Bracket

The range will not tip during normal use. However, the range can tip if you apply too much force or weight to the open door without the anti-tip bracket fastened down properly.



⚠ WARNING

Tip Over Hazard

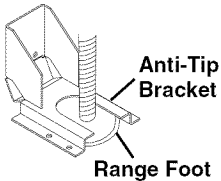
A child or adult can tip the range and be killed.

Connect anti-tip bracket to rear range foot.

Reconnect the anti-tip bracket, if the range is moved.

See the installation instructions for details.

Failure to follow these instructions can result in death or serious burns to children and adults.



Making sure the anti-tip bracket is installed:

- Slide range forward.
- Look for the anti-tip bracket securely attached to floor or wall.
- Slide range back so rear range foot is under anti-tip bracket.

IMPORTANT SAFETY INSTRUCTIONS

WARNING: To reduce the risk of fire, electrical shock, injury to persons, or damage when using the range, follow basic precautions, including the following:

- **WARNING:** TO REDUCE THE RISK OF TIPPING OF THE RANGE, THE RANGE MUST BE SECURED BY PROPERLY INSTALLED ANTI-TIP DEVICES. TO CHECK IF THE DEVICES ARE INSTALLED PROPERLY, SLIDE RANGE FORWARD, LOOK FOR ANTI-TIP BRACKET SECURELY ATTACHED TO FLOOR OR WALL, AND SLIDE RANGE BACK SO REAR RANGE FOOT IS UNDER ANTI-TIP BRACKET.
- **WARNING:** TO REDUCE THE RISK OF BURNS, DO NOT MOVE THE RANGE WHILE HOT. THIS RANGE IS PROVIDED WITH WHEELS TO FACILITATE MOVEMENT. TO REDUCE THE RISK OF INJURY DUE TO TIPPING OF THE APPLIANCE, VERIFY THE REINSTALLATION OF THE RANGE INTO THE ANTI-TIP DEVICE PROVIDED, AND EXTEND LEVELING FEET AFTER RETURNING THE RANGE TO THE ORIGINAL INSTALLED POSITION.
- **WARNING:** NEVER use this appliance as a space heater to heat or warm the room. Doing so may result in carbon monoxide poisoning and overheating of the oven.
- **WARNING:** NEVER cover any slots, holes or passages in the oven bottom or cover an entire rack with materials such as aluminum foil. Doing so blocks air flow through the oven and may cause carbon monoxide poisoning. Aluminum foil linings may also trap heat, causing a fire hazard.
- **CAUTION:** Do not store items of interest to children in cabinets above a range or on the backguard of a range – children climbing on the range to reach items could be seriously injured.
- Do Not Leave Children Alone – Children should not be left alone or unattended in area where the range is in use. They should never be allowed to sit or stand on any part of the range.

- Wear Proper Apparel – Loose-fitting or hanging garments should never be worn while using the range.
- User Servicing – Do not repair or replace any part of the range unless specifically recommended in the manual. All other servicing should be referred to a qualified technician.
- Storage in or on the Range – Flammable materials should not be stored in an oven or near surface units.
- Do Not Use Water on Grease Fires – Smother fire or flame or use dry chemical or foam-type extinguisher.
- Use Only Dry Potholders – Moist or damp potholders on hot surfaces may result in burns from steam. Do not let potholder touch hot heating elements. Do not use a towel or other bulky cloth.
- DO NOT TOUCH SURFACE UNITS OR AREAS NEAR UNITS – Surface units may be hot even though they are dark in color. Areas near surface units may become hot enough to cause burns. During and after use, do not touch, or let clothing or other flammable materials contact surface units or areas near units until they have had sufficient time to cool. Among those areas are the cooktop and surfaces facing the cooktop.
- Never Leave Surface Units Unattended at High Heat Settings – Boilover causes smoking and greasy spillovers that may ignite.
- Glazed Cooking Utensils – Only certain types of glass, glass/ceramic, ceramic, earthenware, or other glazed utensils are suitable for range-top service without breaking due to the sudden change in temperature.

SAVE THESE INSTRUCTIONS

IMPORTANT SAFETY INSTRUCTIONS

- Utensil Handles Should Be Turned Inward and Not Extend Over Adjacent Surface Units – To reduce the risk of burns, ignition of flammable materials, and spillage due to unintentional contact with the utensil, the handle of a utensil should be positioned so that it is turned inward, and does not extend over adjacent surface units.
 - Clean Cooktop With Caution – If a wet sponge or cloth is used to wipe spills on a hot cooking area, be careful to avoid steam burn. Some cleaners can produce noxious fumes if applied to a hot surface.
 - Use Care When Opening Door – Let hot air or steam escape before removing or replacing food.
 - Do Not Heat Unopened Food Containers – Build-up of pressure may cause container to burst and result in injury.
 - Keep Oven Vent Ducts Unobstructed.
 - Placement of Oven Racks – Always place oven racks in desired location while oven is cool. If rack must be moved while oven is hot, do not let potholder contact hot heating element in oven.
 - DO NOT TOUCH HEATING ELEMENTS OR INTERIOR SURFACES OF OVEN – Heating elements may be hot even though they are dark in color. Interior surfaces of an oven become hot enough to cause burns. During and after use, do not touch, or let clothing or other flammable materials contact heating elements or interior surfaces of oven until they have had sufficient time to cool. Other surfaces of the appliance may become hot enough to cause burns – among these surfaces are oven vent openings and surfaces near these openings, oven doors, and windows of oven doors.
 - Proper Installation – The range, when installed, must be electrically grounded in accordance with local codes or, in the absence of local codes, with the *National Electrical Code, ANSI/NFPA 70*. In Canada, the range must be electrically grounded in accordance with Canadian Electrical Code. Be sure the range is properly installed and grounded by a qualified technician.
 - Disconnect the electrical supply before servicing the appliance.
 - Injuries may result from the misuse of appliance doors or drawers such as stepping, leaning, or sitting on the doors or drawers.
 - Maintenance – Keep range area clear and free from combustible materials, gasoline, and other flammable vapors and liquids.
 - Top burner flame size should be adjusted so it does not extend beyond the edge of the cooking utensil.
- For self-cleaning ranges –**
- Do Not Clean Door Gasket – The door gasket is essential for a good seal. Care should be taken not to rub, damage, or move the gasket.
 - Do Not Use Oven Cleaners – No commercial oven cleaner or oven liner protective coating of any kind should be used in or around any part of the oven.
 - Clean Only Parts Listed in Manual.
 - Before Self-Cleaning the Oven – Remove broiler pan and other utensils. Wipe off all excessive spillage before initiating the cleaning cycle.
- For units with ventilating hood –**
- Clean Ventilating Hoods Frequently – Grease should not be allowed to accumulate on hood or filter.
 - When flambéing foods under the hood, turn the fan on.

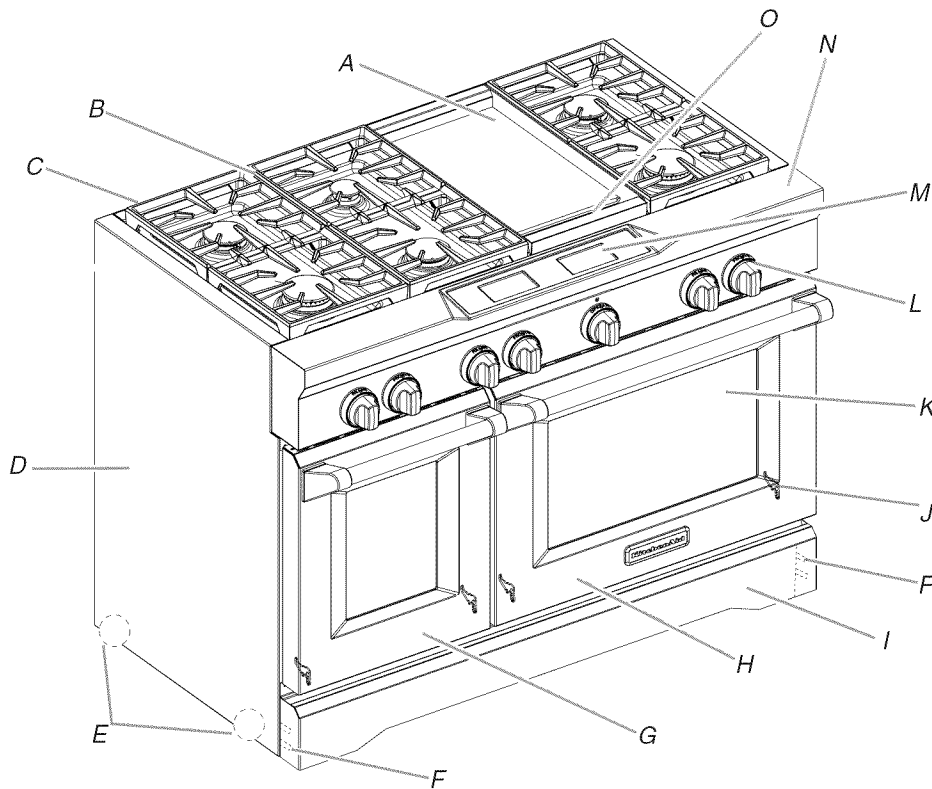
SAVE THESE INSTRUCTIONS

PARTS AND FEATURES

This manual covers several different models. The range you have purchased may have some or all of the items listed. The locations and appearances of the features shown here may not match those of your model.

NOTE: Burner ratings listed are for Natural gas.

Range

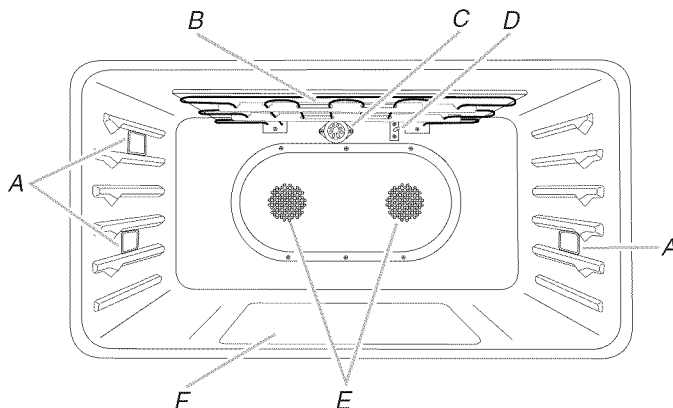


- A. Even-Heat™ chrome electric griddle (on some models)
- B. Heavy-duty single grate design
- C. Island trim
- D. Stainless steel panels
- E. Roller feet
- F. Leveling rods
- G. T.H.E.™ 18" (45.7 cm) true convection oven with steam assist [48" (121.9 cm) range only]
- H. Dual fan true convection oven with steam assist
- I. Removable lower panel
- J. Balanced hinged doors
- K. Large viewing window
- L. Commercial style die cast metal control knobs
- M. Glass touch control with menu driven display
- N. Culinary ledge
- O. Drip tray

Not shown:

- Optional 9" (22.9 cm), 22" (55.9 cm) and adjustable backguards
- Optional griddle cover
- Optional wok ring
- Optional broil pan and roasting rack
- Hefty slide-out racks with handle
- SatinGlide™ roll-out extension rack with handle
- Optional stainless steel knobs

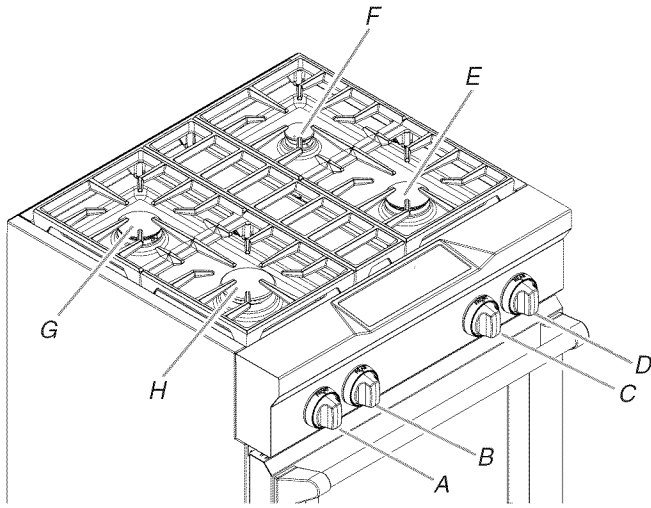
Oven Interior



- A. Halogen lights
- B. Broil elements with True-Broil™ reflector
- C. Steam orifice
- D. Oven cavity sensor
- E. Convection fan(s)
- F. CleanBake™ hidden element

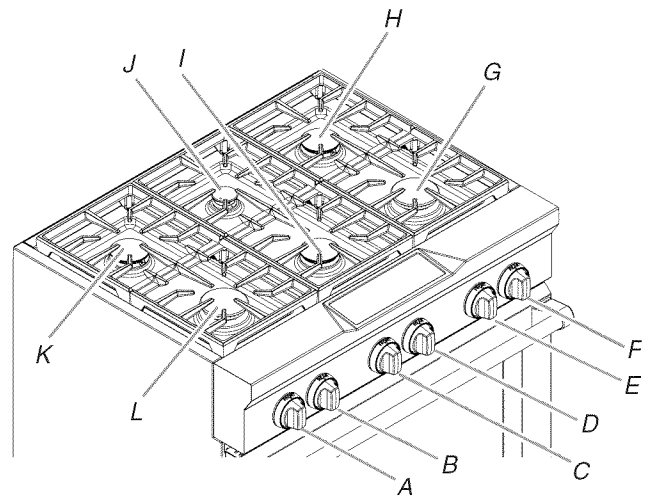
Control Panels

KDRU707



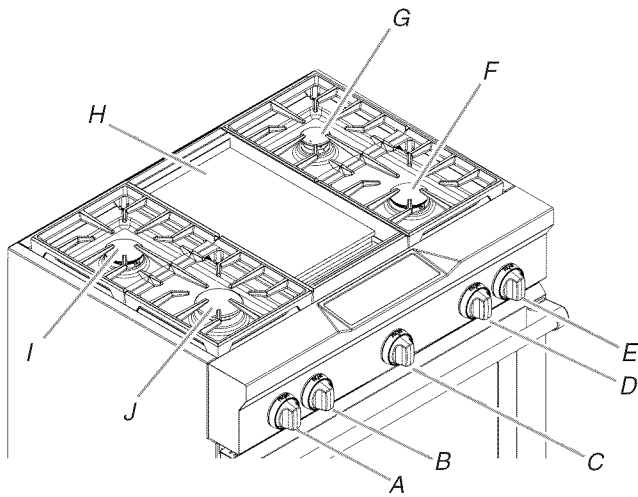
- A. Left rear control knob
- B. Left front control knob
- C. Right rear control knob
- D. Right front control knob
- E. 15,000 Btu/h burner
- F. 5,000 Btu/h burner
- G. 15,000 Btu/h burner
- H. 20,000 Btu/h burner

KDRU767



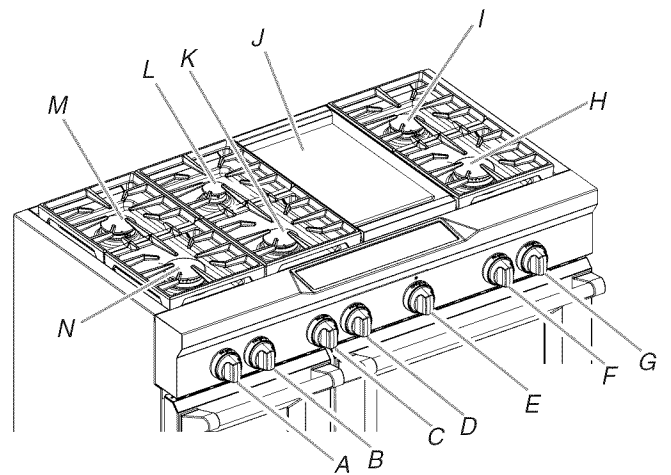
- A. Left rear control knob
- B. Left front control knob
- C. Center rear control knob
- D. Center front control knob
- E. Right rear control knob
- F. Right front control knob
- G. 20,000 Btu/h burner
- H. 15,000 Btu/h burner
- I. 15,000 Btu/h burner
- J. 5,000 Btu/h burner
- K. 15,000 Btu/h burner
- L. 20,000 Btu/h burner

KDRU763



- A. Left rear control knob
- B. Left front control knob
- C. Griddle control knob
- D. Right rear control knob
- E. Right front control knob
- F. 15,000 Btu/h burner
- G. 5,000 Btu/h burner
- H. Even-Heat™ chrome electric griddle
- I. 15,000 Btu/h burner
- J. 20,000 Btu/h burner

KDRU783



- A. Left rear control knob
- B. Left front control knob
- C. Center rear control knob
- D. Center front control knob
- E. Griddle control knob
- F. Right rear control knob
- G. Right front control knob
- H. 20,000 Btu/h
- I. 15,000 Btu/h
- J. Even-Heat™ chrome electric griddle
- K. 15,000 Btu/h
- L. 5,000 Btu/h
- M. 15,000 Btu/h
- N. 20,000 Btu/h

COOKTOP USE

Cooktop Controls

WARNING



Fire Hazard

Do not let the burner flame extend beyond the edge of the pan.

Turn off all controls when not cooking.

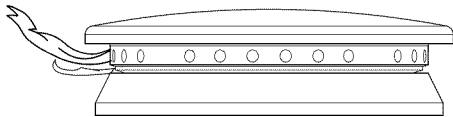
Failure to follow these instructions can result in death or fire.

IMPORTANT: Your cooktop is factory-set for use with Natural gas. If you wish to use LP gas, an LP Gas Conversion Kit is included with your new range. See the instructions included in the Installation Instructions for details on making this conversion.

Electric igniters automatically light the surface burners when control knobs are turned to LITE.

Three different sizes of burners are provided: 20,000 Btu/h [British Thermal Units], 15,000 Btu/h, and 5,000 Btu/h.

The 20,000 Btu/h UltraPower™ dual-flame burner has an upper and lower level of flame.



The Power Hi setting uses both flame levels at full power to provide the highest heat and is ideal for cooking large quantities of food or liquid, and using large pots and pans. The Simmer Hi and Lo settings use the lower flame only and allow for accurate simmer control and cooking of smaller quantities of food.

The 5,000 Btu/h burner reaches a low of 500 Btu/h, and is ideal for cooking smaller quantities of food and melting chocolate or butter.

Before setting a control knob, place filled cookware on the grate. Do not operate a burner using empty cookware or without any cookware on the grate.

NOTE: Visually check that the burner has lit. If the burner does not ignite, listen for the clicking sound. If you do not hear the igniter click, turn off the burner. Check for a tripped circuit breaker or blown fuse.

Check that the control knob is pressed completely down on the valve shaft. If the spark igniter still does not operate, call a trained repair specialist.

Proper grounding and polarity are necessary for correct operation of the electric ignition system. If the wall receptacle or junction box does not provide correct polarity, the igniter will become grounded and occasionally click, even after the burner has ignited. Contact a trained repair specialist to check the wall receptacle or junction box to see whether it is wired with the correct polarity.

Reignition Feature

During cooktop use, if one or more burners are extinguished due to external causes (such as water spillage, wind or ventilation draft), the ignition system will turn on to reignite the flame. When the flame comes back on, the system will stop sparking. If the draft in the room is not removed, occasional sparking may continue. Sparking may also occasionally occur when using the low setting on a burner.

To Set:

1. Push in and turn knob counterclockwise to LITE.
All surface burners will click. Only the burner with the control knob turned to LITE will produce a flame.
2. Turn knob counterclockwise to anywhere between HI and LO. Push in one more time to get from LO to Simmer HI.

Use the following charts as a guide when setting heat levels.

20,000 Btu/h Ultra Power™ Dual-Flame Burner

SETTING	RECOMMENDED USE
LITE (Light)	■ Light the burner.
HI (High)	■ Start food cooking. ■ Bring liquid to a boil. ■ Preheat skillets/pans. ■ Quickly brown or sear food.
MED (Medium)	■ Fry or sauté foods. ■ Hold a boil.
LO (Low)	■ Cook soups, sauces and gravies.
Simmer HI (High)	■ Start cooking thicker foods such as tomato sauce, chili, etc.
Simmer LO (Low)	■ Hold a gentle simmer.

Simmer Burner Settings

To Set:

1. Push in and turn knob counterclockwise to LITE.
All surface burners will click. Only the burner with the control knob turned to LITE will produce a flame.
2. Turn knob counterclockwise to anywhere between HI and LO.
Use the following chart as a guide when setting heat levels.

15,000 Btu/h Professional Burner

SETTING	RECOMMENDED USE
LITE (Light)	<ul style="list-style-type: none"> Light the burner.
HI (High)	<ul style="list-style-type: none"> Start food cooking. Bring liquid to a boil. Preheat skillets/pans. Quickly brown or sear food.
MED (Medium)	<ul style="list-style-type: none"> Fry or sauté foods. Hold a boil.
LO (Low)	<ul style="list-style-type: none"> Cook soups, sauces and gravies. Stew or steam foods.

5,000 Btu/h Simmer/Melt Burner

SETTING	RECOMMENDED USE
LITE (Light)	<ul style="list-style-type: none"> Light the burner.
HI (High)	<ul style="list-style-type: none"> Cook soups, sauces and gravies. Stew or steam foods.
LO (Low)	<ul style="list-style-type: none"> Melt chocolate or butter.

REMEMBER: When range is in use or (on some models) during the Self-Cleaning cycle, the entire cooktop area may become hot.

Power Failure

In case of prolonged power failure, the surface burners can be lit manually. Hold a lit match near a burner and turn knob counterclockwise to HI. After burner lights, turn knob to setting.

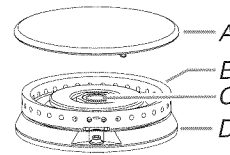
Cooktop Surface

Wiping off the cooktop, grates and caps after each use will help keep it free from stains.

Food spills containing acids, such as vinegar and tomato, should be cleaned as soon as the entire appliance is cool. These spills may affect the finish.

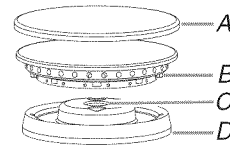
For more information, see the “Sealed Surface Burners” and “General Cleaning” sections.

Sealed Surface Burners



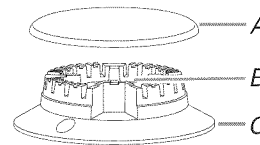
20,000 Btu/h Ultra Power™ Dual-Flame Burner

- A. Burner cap
- B. Burner head
- C. Gas opening
- D. Burner base



15,000 Btu/h Professional Burner

- A. Burner cap
- B. Burner head
- C. Gas opening
- D. Burner base



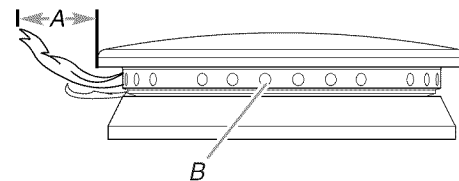
5,000 Btu/h Simmer/Melt Burner

- A. Burner cap
- B. Gas opening
- C. Burner base

IMPORTANT: Do not obstruct the flow of combustion and ventilation air around the burner grate edges.

Burner cap: Always keep the burner cap in place when using a surface burner. A clean burner cap will help avoid poor ignition and uneven flames. Always clean the burner cap after a spillover and routinely remove and clean the caps according to the “General Cleaning” section.

Gas opening: Gas must flow freely throughout the gas opening for the burner to light properly. Keep this area free of soil and do not allow spills, food, cleaning agents or any other material to enter the gas opening. Keep spillovers out of the gas opening by always using a burner cap.



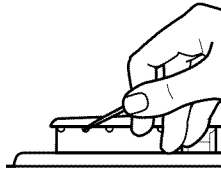
- A. 1-1½" (25-38 mm)
- B. Burner ports

Burner ports: Check burner flames occasionally for proper size and shape as shown above. A good flame is blue in color, not yellow. Keep this area free of soil and do not allow spills, food, cleaning agents or any other material to enter the burner ports.

To Clean:

IMPORTANT: Before cleaning, make sure all controls are off and the oven and cooktop are cool. Do not use oven cleaners, bleach or rust removers.

1. Remove the burner cap and burner head (15,000 and 5,000 Btu/h burners) from the burner base and clean according to "General Cleaning" section.
2. Clean the gas opening with a damp cloth.
3. Clean clogged burner ports with a straight pin as shown. Do not enlarge or distort the port. Do not use a wooden toothpick. If the burner needs to be adjusted, contact a trained repair specialist.



4. Replace the burner cap, making sure the alignment pins are properly aligned with the burner cap.

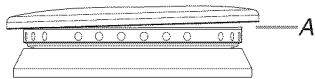
20,000 Btu/h Ultra Power™ Dual-Flame Burner



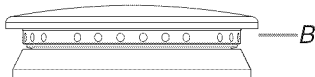
A. Incorrect
B. Correct



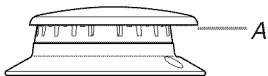
15,000 Btu/h Professional Burner



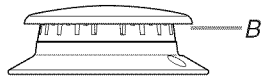
A. Incorrect
B. Correct



5,000 Btu/h Simmer/Melt Burner

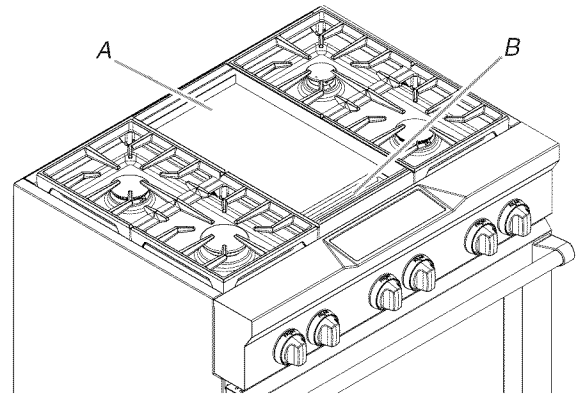


A. Incorrect
B. Correct



5. Turn on the burner. If the burner does not light, check cap alignment. If the burner still does not light, do not service the sealed burner yourself. Contact a trained repair specialist.

Even-Heat™ Chrome Electric Griddle (on some models)



A. Griddle
B. Drip tray

The Even-Heat™ chrome electric griddle system provides an evenly heated and easy to clean cooking surface.

- Remove plastic film and clean with hot, soapy water prior to first use.
- To avoid scratching the griddle, do not place any pots or pans on the griddle.
- To avoid scratching the griddle, use only heat resistant plastic or wooden utensils.
- The griddle surface is ready to use, and does not need to be seasoned.
- Pouring cold water on a hot griddle may warp the griddle, resulting in an uneven cooking surface.

To Use:

1. Position the drip tray under the front edge of the griddle to catch grease and food residue.
2. Push in and turn the control knob to desired temperature.
3. Refer to the griddle Preheat Chart for preheat times.

The griddle light will turn off when the griddle has finished preheating. The griddle light will turn on and off during use to indicate that the griddle element is maintaining the selected surface temperature.

4. Place food on the griddle and cook to desired doneness.

Griddle Charts

The settings and times are guidelines only and may need to be adjusted for individual tastes.

Preheat Chart

TEMPERATURE	TIME TO PREHEAT (in minutes)
250°F (121°C)	10
300°F (149°C)	14
350°F (177°C)	15
400°F (204°C)	20
450°F (232°C)	25
500°F (260°C)	27

Cooking Chart

FOOD	SETTING	COOK TIME TOTAL MINUTES
Sausage patties and links	325°F (163°C)	12-18
Bacon slices	350°F (177°C)	7-11
Ham steak (fully cooked)	325°F (163°C)	5-7
Frankfurters and precooked sausages	325°F (163°C)	8-15
Ground meat patties	350°F (177°C)	10-15
Grilled sandwiches	325°F (163°C)	3-5
Fish steaks, fillets	325°F (163°C)	8-15
Eggs	300°F (149°C)	3-5
Hash brown potatoes	400°F to 425°F (204°C to 218°C)	8-12
French toast	350°F (177°C)	5-7
Pancakes	350°F (177°C)	2-4

After Each Use:

1. Turn the griddle off and let cool.
2. Scrape griddle residue into drip tray using heat resistant plastic or wooden utensils.
3. Rinse griddle with hot, soapy water.
4. Remove and clean the drip tray and the area below. Gently tip the drip tray so that the contents are not spilled when removing.
5. Clean using a nylon scrub pad with soapy water and rinse with hot water.
6. Dry griddle, drip tray and area below griddle with paper towels to remove excess grease and oil.

Cookware

IMPORTANT: Do not leave empty cookware on a hot surface cooking area, element or surface burner.

Ideal cookware should have a flat bottom, straight sides, and a well-fitting lid and the material should be of medium-to-heavy thickness.

Rough finishes may scratch the cooktop. Aluminum and copper may be used as a core or base in cookware. However, when used as a base they can leave permanent marks on the cooktop or grates.

Cookware material is a factor in how quickly and evenly heat is transferred, which affects cooking results. A nonstick finish has the same characteristics as its base material. For example, aluminum cookware with a nonstick finish will take on the properties of aluminum.

Cookware with nonstick surfaces should not be used under the broiler.

Use the following chart as a guide for cookware material characteristics.

COOKWARE	CHARACTERISTICS
Aluminum	<ul style="list-style-type: none">■ Heats quickly and evenly.■ Suitable for all types of cooking.■ Medium or heavy thickness is best for most cooking tasks.
Cast iron	<ul style="list-style-type: none">■ Heats slowly and evenly.■ Good for browning and frying.■ Maintains heat for slow cooking.
Ceramic or Ceramic glass	<ul style="list-style-type: none">■ Follow manufacturer's instructions.■ Heats slowly, but unevenly.■ Ideal results on low to medium heat settings.
Copper	<ul style="list-style-type: none">■ Heats very quickly and evenly.
Earthenware	<ul style="list-style-type: none">■ Follow manufacturer's instructions.■ Use on low heat settings.
Porcelain enamel-on-steel or cast iron	<ul style="list-style-type: none">■ See stainless steel or cast iron.
Stainless steel	<ul style="list-style-type: none">■ Heats quickly, but unevenly.■ A core or base of aluminum or copper on stainless steel provides even heating.

Home Canning

When canning for long periods, alternate the use of surface burners between batches. This allows time for the most recently used areas to cool.

- Center the canner on the grate.
- Do not place canner on 2 surface burners at the same time.
- For more information, contact your local agricultural department. Companies that manufacture home canning products can also offer assistance.

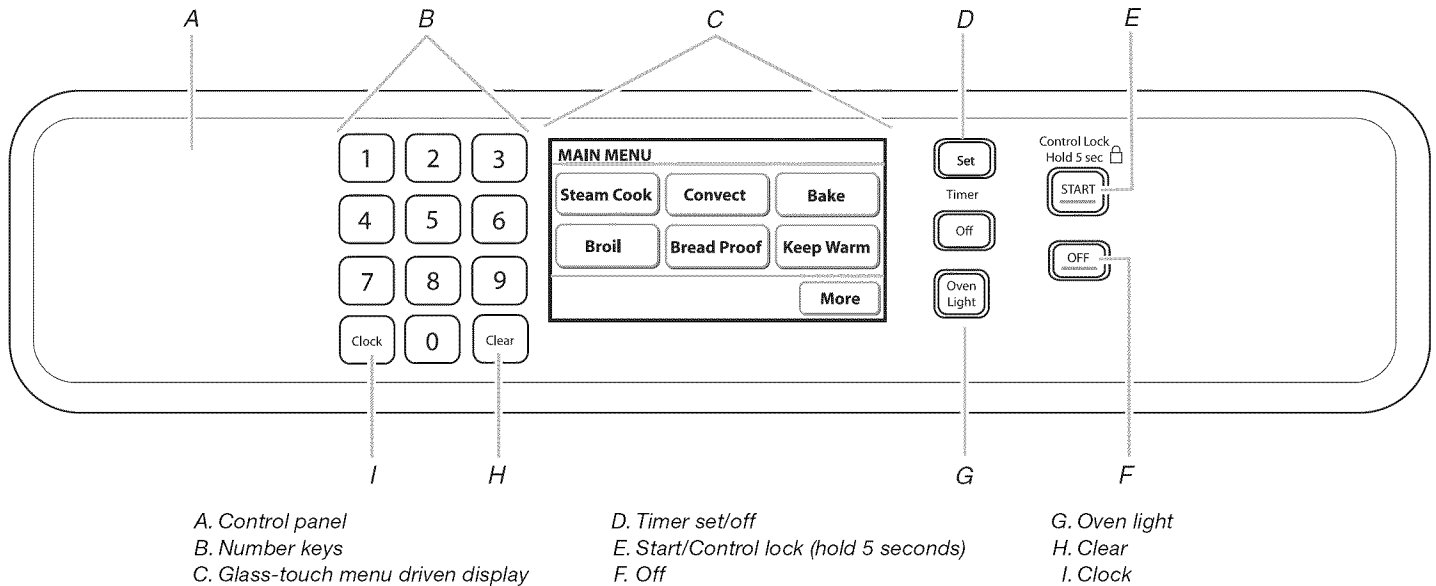
ELECTRONIC OVEN CONTROLS

This manual covers different models. The oven you have purchased may have some or all of the items listed. The locations and appearances of the items shown here may not match those of your model.

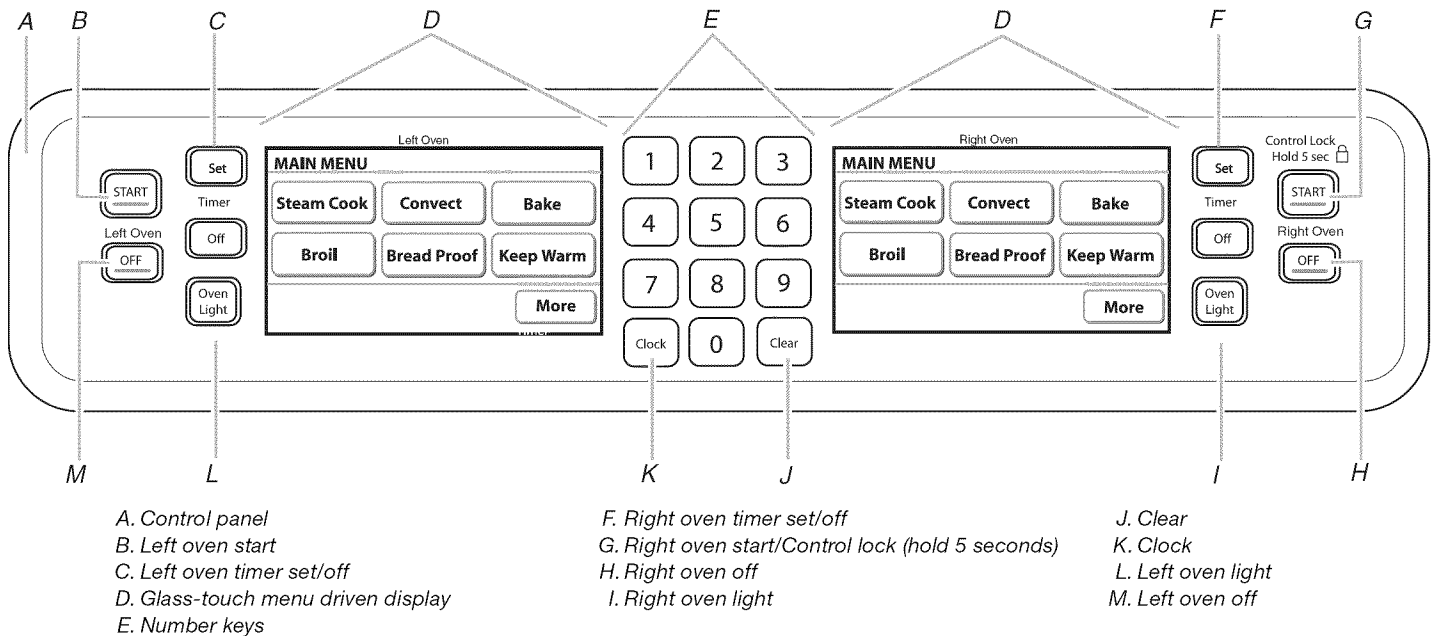
The oven's controls are accessed through its control panel and interactive touch display.

NOTE: Due to the sensitivity of the control panel, we have provided special instructions for cleaning the panel as well as the touch screen display. See "General Cleaning" section for cleaning instructions.

30" (76.2 cm) and 36" (91.4 cm) Range Control Panel



48" (121.9 cm) Range Control Panel



Control Panel

The control panel houses the control menu and function controls. The control pads are very sensitive, and require only a light touch to activate.

For more information about the individual controls, see their respective sections in this manual.

Glass-Touch Menu Driven Display

The display area functions as both a display and an interactive, menu-driven touch control. It is designed to be easily navigable, guiding you through the menus, offering multiple selections, accepting your input and executing your commands. It also provides instructions, tips and graphics. To view the main menu screens, see "Main Menus" section.

Display

When power is first supplied to the appliance or, when power has been interrupted for more than 10 seconds, the clock will be set to 12:00 P.M. To set the time, follow the instructions under "Clock" section. To bypass setting the clock and begin using the oven, touch Start, Off or Clear.

On 48" (121.9 cm) ranges, the left display shows the 18" (45.7 cm) oven and the right display shows the 30" (76.2 cm) oven.

When the oven(s) are in use (active mode), the display shows the oven temperature, heat source(s) and timer, if set.

After approximately 2 minutes of inactivity, the display will go into standby (sleep) mode. When the oven is in operation, the display will remain active.

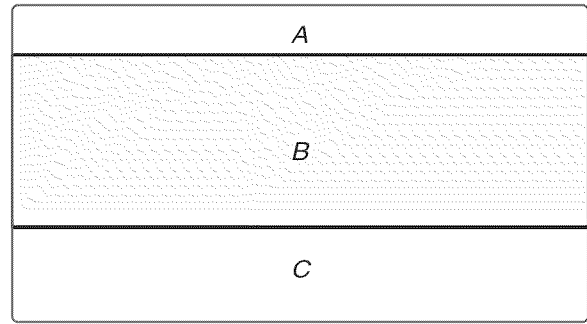
On 30" (76.2 cm) and 36" (91.4 cm) ranges, if the range is not in use (sleep mode), the display shows the time of the day. To turn the clock display on/off, see "Clock" section.

On 48" (121.9 cm) ranges, if the range is not in use (sleep mode) the right display shows the time of day. To turn the clock display on/off, see "Clock" section.

During programming, the display shows menus and the appropriate selections for the respective cooking function.

Touch Screen

The LCD touch screen is used to make menu selections, adjust settings and input commands.

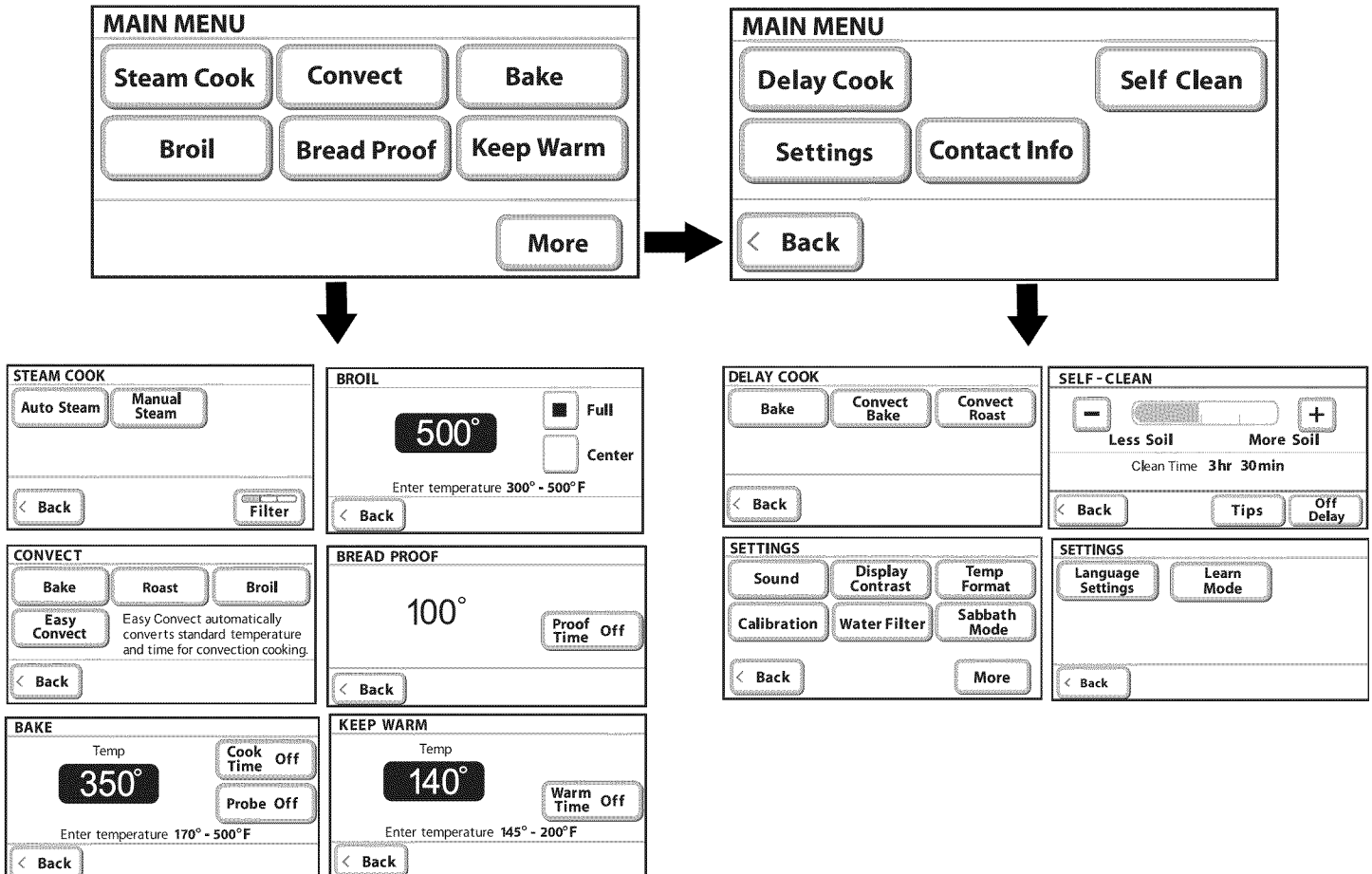


- A. Title/description region
- B. Menu and selection/settings input region
- C. Command input region

Menu selections and input adjustments are made in the center portion of the screen, and the command inputs (OK, Adjust Settings, Browning, Back, etc.) are made in the bottom portion of the screen. Screen titles and descriptions are displayed in the top portion of the screen, which accepts no input. A light to medium pressure touch of the fingertip will activate the menu selection.


Main Menu

From the Main Menu, all automatic cooking programs can be activated; all manual cooking can be programmed; settings can be adjusted; and instructions, preparation and tips can be accessed.



Menu Demonstration

⚠ WARNING



Burn Hazard

Use an oven mitt to remove temperature probe.

Do not touch broil element.

Failure to follow these instructions can result in burns.

- To cook using the temperature probe, touch PROBE and enter the desired food temperature, using the numerical keys.

AUTO STEAM - Poultry

Probe

Temp 325°

Cook Time Off

Enter temperature 130° - 180°F

< Exit

Browning

- To change the level of browning, touch BROWNING. Touch “plus” (+) or “minus” (-) to increase or decrease the desired level. Touch OK.

BROWNING

-

+

Off Low Med High

Adjust browning to your preference.

OK

- Once the setup is complete, the start key will light up. When settings are correct, touch START. You will be prompted to place the food in the oven and connect the temperature probe. Place the food in the oven, connect the temperature probe and touch OK.

Place Food in Oven


Use broiler pan grid and roasting rack for best results.

Connect Probe

OK

- Once the oven starts running, the Off key will light up. Touch OFF if you need to shut off the oven during cooking.

AUTO STEAM - Poultry



Temp
325°


Probe
140°
Set 160°

Browning **Med**

Adjust Settings

- When the set probe temperature is reached, the Check Food message appears on the display. The probe temperature begins to blink, and the end of cycle tone will sound. Touch OK.

CHECK FOOD



Temp
325°

Probe
160°
Set 160°

Browning **Med**

OK

The following demonstrates how to cook a turkey from the Auto Steam menu using a temperature probe.

- From the Main menu, touch STEAM COOK.

MAIN MENU

Steam Cook

Convect

Bake

Broil

Bread Proof

Keep Warm

More

- From the Steam Cook menu, touch AUTO STEAM.

STEAM COOK

Auto Steam

Manual Steam

< Back

Filter

- From the Auto Steam menu, touch POULTRY.

AUTO STEAM

Meats

Poultry

Seafood

Breads

Vegetables

Desserts

< Back

More

- From the Auto Steam - Poultry menu, you can input a variety of selections. The menu will display the default settings.

AUTO STEAM - Poultry

Temp
325°

Cook Time 1:30

Probe Off

Enter temperature 250° - 450°F

< Exit

Browning

To change the temperature, input the desired temperature using the numerical keys.

10. Touch OFF when finished cooking.

Always unplug and remove the temperature probe from the oven when removing food. The probe symbol will remain lit in the display until the probe is unplugged.

Settings

Your oven provides you with the ability to control several of the default settings and access information through the on-screen display. These include: Sound, Display Contrast, Temp Format, Calibration, Water Filter, Learn Mode, Sabbath Mode, and Languages.

To access the Settings menu, see the following sections.

Sound (Tones)

Tones are audible signals, indicating the following:

One beep

- Valid key touch
- Function has been entered

One chime

- Preheat cycle has been completed

Two chimes

- End of a cooking cycle

Three beeps

- Invalid key touch

Four chimes

- When timer reaches zero
Includes using the Timer for functions other than cooking.

Tone Volume (Sound)

- The preset volume can be changed. On double ovens, you can change the sound from either display. Changing the sound on one display changes the sound for both ovens.

To Change:

1. From the Main menu, touch MORE.
2. Touch SETTINGS.
3. Touch SOUND.
4. To change the sound level, touch the “plus” (+) or “minus” (-) signs to increase or decrease to the desired level.
5. Touch OK.

NOTE: To turn the sound off, touch “minus” (-) until the bar disappears to the left.

Display Contrast

To Adjust Display Contrast:

1. From the Main menu, touch MORE.
2. Touch SETTINGS.
3. Touch DISPLAY CONTRAST.
4. Touch + (plus) or - (minus) to increase/decrease the display contrast to the desired setting.
5. Touch OK.

Temp Format (Fahrenheit and Celsius)

The temperature is preset in Fahrenheit; however, it can be changed to Celsius.

To Change:

1. From the Main menu, touch MORE.
2. Touch SETTINGS.
3. Touch TEMP FORMAT.
4. Touch °F (Fahrenheit) or °C (Celsius).
5. Touch OK.

Calibration (Oven Temperature Control)

IMPORTANT: Do not use a thermometer to measure oven temperature because opening the oven door during cycling may give incorrect readings.

The oven provides accurate temperatures; however, it may cook faster or slower than your previous oven, so the temperature calibration can be adjusted. It can be changed in Fahrenheit or Celsius.

A minus sign means the oven will be cooler by the displayed amount. The absence of a minus sign means the oven will be warmer by the displayed amount. Use the following chart as a guide.

ADJUSTMENT °F (AUTOMATIC °C CHANGE)	COOKS FOOD
10°F (5°C)	...a little more
20°F (10°C)	...moderately more
30°F (15°C)	...much more
0°F (0°C)	...default setting
-10°F (-5°C)	...a little less
-20°F (-10°C)	...moderately less
-30°F (-15°C)	...much less

To Adjust Oven Temperature Calibration:

1. From the Main menu, touch MORE.
2. Touch SETTINGS.
3. Touch CALIBRATION.
4. Touch the + (plus) or - (minus) to increase or decrease the temperature.
5. Touch OK.

Water Filter/Filtration System

The Water Filter setting allows you to check the status of the water filter and reset the system after the filter has been replaced.

IMPORTANT: The oven will shut off the steam functions until the filter is replaced.

To Check Filter Status:

1. From the main menu, touch MORE.
2. Touch SETTINGS.
3. Touch WATER FILTER.
4. The status will be displayed. There are 3 water filter states: Good, Replace Filter Soon and Replace Filter. If the filter status is Replace Filter Soon or Replace Filter, the Reset key becomes available.

NOTE: See “Water Filter Cartridge Replacement” section.

5. After replacing the filter, touch and hold RESET for approximately 3 seconds to reset the system. The status will change to Good.

NOTE: If you reset the system without replacing the filter, the system will continue to notify you that the filter needs to be replaced. The oven will shut off the steam functions until the filter is replaced. Continuing to reset the system without replacing the filter may cause damage to the oven.

For information on ordering replacement filters, touch ORDER INFO or see "Assistance or Service" section.

6. Touch OK to return to the Settings Menu.

NOTE: It is normal to hear sounds during steam cooking cycles related to the opening and closing of the water inlet valve and water flowing into the steam system.

Learn Mode

The oven has a learn mode which can show you the oven functions and allow you to become comfortable with the controls. When in the learn mode, the oven does not actually turn on and will not warm food.

To Use Learn Mode:

1. From the Main menu, touch MORE.
2. Touch SETTINGS.
3. Touch MORE.
4. Touch LEARN MODE.
5. The Learn Mode Main menu will be displayed.


Sabbath Mode

The Sabbath Mode sets the oven(s) to remain on in a bake setting until turned off. A timed Sabbath Mode can also be set to keep the oven on for only part of the Sabbath.

When the Sabbath Mode is set, only the number and start keys will function, no tones will sound, and the displays will not show messages or temperature changes. The heat source icons will appear lit on the oven display throughout the Sabbath Mode.

When the oven door is opened or closed, the oven light will not turn on or off and the heating elements will not turn on or off immediately.

If a power failure occurs when the Sabbath Mode is set, the oven(s) will remain in Sabbath Mode but will no longer be actively cooking. When power returns, the display will read "SABBATH MODE - Power outage has occurred." Touch OFF to return to the normal operating mode (non-Sabbath Mode, not cooking).



WARNING

Burn Hazard

Use an oven mitt to remove temperature probe.

Do not touch broil element.

Failure to follow these instructions can result in burns.

NOTE: If you touch Sabbath Mode while the temperature probe is set, a message will appear saying "Probe not available." Remove the probe and touch CONTINUE to enter the untimed Sabbath Mode. Touch CANCEL to return to the Bake mode.

To Enable:

Before the Sabbath Mode can be regularly set, the oven(s) must first be enabled with a one time only setup. On 48" (121.9 cm) models, both ovens are enabled at the same time using either the Right oven or the Left oven touch display.

1. From the Main menu, touch MORE.
2. Touch SETTINGS. Touch MORE.
3. Touch SABBATH MODE.
4. Touch Enable Sabbath Mode option when baking.
5. Touch OK.

To Disable:

The oven(s) can be disabled of the ability to set the Sabbath Mode by repeating the previous steps. See the "To Enable" section. When disabled "SABBATH DISABLED" will appear on the display and remain on for approximately 5 seconds.

The Sabbath Mode cannot be regularly set until re-enabled.

To Set Regularly Untimed:

Sabbath Mode must be enabled before starting the Bake cycle. See the "To Enable" section.

On 30" (76.2 cm) and 36" (91.4 cm) Models:

1. From the Main menu, touch BAKE.
2. To change the preset temperature, enter the desired temperature using the numerical keys. The temperature can be set to between 170°F and 500°F (77°C and 260°C).
3. Do not enter a cook time.
4. When settings are correct, touch START.
5. If the oven temperature is below the set temperature, the Preheat Bar will be displayed showing the status of the preheat cycle. When preheat is complete, a tone will sound*.
6. Once in the Bake cycle, a Sabbath Mode key will appear in the lower right hand section of the display.
7. Touch SABBATH MODE. (If Sabbath Mode does not appear in the Bake cycle, refer to the "To Enable" section.)
8. Once in the Sabbath Mode, an End Mode key will appear in the lower right hand section of the display. Touch and hold END MODE for approximately 3 seconds to return to the regular Bake cycle.
9. Touch OFF at anytime to turn off the oven.

*Once the oven is placed in Sabbath Mode, the Sabbath Mode screen will appear and no tone will sound upon completion of the preheat cycle.

On 48" (121.9 cm) Models:

Each oven can be independently set in Sabbath Mode.

To set the untimed Sabbath Mode on one of the ovens, follow steps 1-9 above. If one oven is set in Sabbath Mode, the other oven will not operate.

To set the untimed Sabbath Mode on both ovens, each oven must be set in a regular bake cycle before touching the Sabbath Mode key. Follow steps 1-4 above for each oven.

1. Once each oven is in a regular Bake cycle and the Sabbath Mode key has appeared in the lower right hand section of the displays, touch SABBATH MODE on either display and both ovens will enter the Sabbath Mode.
2. Once in the Sabbath Mode, an End Mode key will appear in the lower right hand section of each display. Touch and hold END MODE on either display for approximately 3 seconds and both ovens will return to the regular Bake cycle.
3. Touch OFF at anytime during Sabbath Mode to simultaneously turn off both ovens.

To Regularly Set Timed:

⚠ WARNING

Food Poisoning Hazard

Do not let food sit in oven more than one hour before or after cooking.

Doing so can result in food poisoning or sickness.

Sabbath Mode must be enabled before starting the Bake cycle. See the "To Enable" section.

On 30" (76.2 cm) and 36" (91.4 cm) Models:

1. From the Main menu, touch BAKE.
2. To change the preset temperature, enter the desired temperature using the numerical keys. The temperature can be set to between 170°F and 500°F (77°C and 260°C).
3. To enter a cook time, touch COOK TIME. Enter the desired cook time using the numerical keys.
4. When settings are correct, touch START.
5. If the oven temperature is below the set temperature, the Preheat Bar will be displayed showing the status of the preheat cycle. When preheat is complete, a tone will sound*.
6. Once in the Bake cycle, a Sabbath Mode key will appear in the lower right hand section of the display.
7. Touch SABBATH MODE. (If Sabbath Mode does not appear in the Bake cycle, refer to the "To Enable" section.)
8. Once in the Sabbath Mode, an End Mode key will appear in the lower right hand section of the display. Touch and hold END MODE for approximately 3 seconds to return to the regular Bake cycle.
9. Once Cook Time has reached 0:00, the Sabbath Mode Complete message is displayed. The completed time information is updated every minute, but no End of Cycle tone will sound.
10. Touch OK to return to the Main Menu.
11. Touch OFF at anytime to turn off the oven.

*Once the oven is placed in Sabbath Mode, the Sabbath Mode screen will appear and no tone will sound upon completion of the preheat cycle.

On 48" (121.9 cm) Models:

Each oven can be independently set in Sabbath Mode.

To set a timed Sabbath Mode on one of the ovens, follow steps 1-11 above. If one oven is in Sabbath Mode, the other oven will not operate.

To set a timed Sabbath Mode on both ovens, each oven must be set in a regular timed bake cycle before touching the Sabbath Mode key. Follow steps 1-4 above for each oven.

1. Once each oven is in a regular timed Bake cycle and the Sabbath Mode key has appeared in the lower right hand section of the displays, touch SABBATH MODE on either display and both ovens will enter the Sabbath Mode.
2. Once in the Sabbath Mode, an End Mode key will appear in the lower right hand section of each display. Touch and hold END MODE on either display for approximately 3 seconds, and both ovens will return to the regular Bake cycle.
3. Touch OFF at anytime during Sabbath Mode to simultaneously turn off both ovens.

NOTE: On 48" (121.9 cm) models, one oven can be set in a timed Sabbath Mode and one oven can be set in an untimed Sabbath Mode, if both ovens are set prior to touching the Sabbath Mode key.

To Set Delayed:

Sabbath Mode must be enabled before starting the Bake cycle. See the "To Enable" section.

On 30" (76.2 cm) and 36" (91.4 cm) Models:

1. From the Main menu, touch MORE.
2. Touch DELAY COOK.
3. Touch BAKE.
4. To change the preset temperature, enter the desired temperature using the numerical keys. The temperature can be set to between 170°F and 500°F (77°C and 260°C).
5. Touch COOK TIME. Enter the desired cook time using the numerical keys.
6. Touch DELAY TIME. Enter the amount of time you wish to delay the start of cooking using the numerical keys.
7. When settings are correct, touch START.
8. Once the delay time is reached, if the oven temperature is below the set temperature, the Preheat Bar will be displayed showing the status of the preheat cycle. When preheat is complete, a tone will sound*.
9. Once in the Delay Cook cycle, a Sabbath Mode key will appear in the lower right hand section of the display.
10. Touch SABBATH MODE. (If Sabbath Mode does not appear in the Bake cycle, refer to the "To Enable" section.)
11. Once in the Sabbath Mode, an End Mode key will appear in the lower right hand section of the display. Touch and hold END MODE for approximately 3 seconds to return to the regular Bake cycle.
12. Once Cook Time has reached 0:00, the Sabbath Mode Complete message is displayed. The completed time information is updated every minute, but no End of Cycle tone will sound.
13. Touch OK to return to the Main Menu.
14. Touch OFF at anytime to turn off the oven.

*Once the oven is placed in Sabbath Mode, the Sabbath Mode screen will appear and no tone will sound upon completion of the preheat cycle.

On 48" (121.9 cm) Models:

Each oven can be independently set in Sabbath Mode.

To set a delayed Sabbath Mode on one of the ovens, follow steps 1-14 above. If one oven is set in Sabbath Mode, the other oven will not operate.

To set a delayed Sabbath Mode on both ovens, each oven must be set in a regular delayed bake cycle before the Sabbath Mode key is touched. Follow steps 1-7 above for each oven.

1. Once each oven is in a regular delayed Bake cycle and the Sabbath Mode key has appeared in the lower right hand section of the displays, touch SABBATH MODE on either display and both ovens will enter the Sabbath Mode.
2. Once in the Sabbath Mode, an End Mode key will appear in the lower right hand section of each display. Touch and hold END MODE on either display for approximately 3 seconds, and both ovens will return to the regular Bake cycle.
3. Touch OFF at anytime during Sabbath Mode to simultaneously turn off both ovens.

On 48" (121.9 cm) models, one oven can be set in a delayed Sabbath Mode and one oven can be set in a regular timed or untimed Sabbath Mode provided both ovens are set prior to touching the Sabbath Mode key.

NOTE: The Sabbath Mode screen will be displayed when the oven is set in a delayed Sabbath Mode. The temperature change keys referenced in the next section will not function before the beginning of the Bake cycle. These become active once the Bake cycle begins.

Temperature Change

The oven temperature can be changed when the oven(s) are in the Sabbath Mode. No tones will sound, and the display will not change. The heating elements will not turn on or off for a random time, anywhere from 16 to 24 seconds. It may take up to 30 minutes for the oven to change temperature.

On 48" (121.9 cm) ranges, both oven cavities can be set for independent temperatures.

If you wish to change the temperature on both ovens, wait at least 1 minute from the time you change the temperature on the first oven until you change the temperature on the second oven.

Number keys 1 through 0 represent temperatures.

Use the following chart as a guide.

NUMBER KEY	OVEN TEMPERATURE
1	170°F (77°C)
2	200°F (95°C)
3	225°F (107°C)
4	250°F (120°C)
5	300°F (149°C)
6	325°F (163°C)
7	350°F (177°C)
8	375°F (191°C)
9	400°F (204°C)
0	450°F (232°C)

To Change Temperature:

1. Touch the number key from the chart.
2. Touch START.

Languages

To Change Language Setting:

1. From the Main menu, touch MORE.
2. Touch SETTINGS.
3. Touch MORE.
4. Touch LANGUAGES.
5. Touch ENGLISH or FRANÇAIS (French).
6. Touch OK.

Clock

This is a 12-hour clock. Before setting, make sure the oven(s), Timer and Timed Cooking are off.

To Set:

1. Touch CLOCK SET/START.
2. Enter the desired time by touching the numerical keys to set the time of day.
3. Touch AM or PM.
4. Touch OK.
5. To turn the clock display off, touch CLOCK SET/START.
6. Touch ON DISPLAY or OFF DISPLAY.
7. Touch OK.

Start

The Start key begins all oven functions except Sabbath Mode. Once a cooking setup function is complete, the Start key will light up until touched. If not touched within 2 minutes after entering a cooking function, the display will return to the sleep mode and the programmed function will be canceled.

Timer

The Timer is set in hours and minutes and counts down the set time. Times of more than 1 hour will count down by the minute. In the last hour, the time will count down by minute and second.

NOTE: The Timer does not start or stop the oven.

To Set:

1. Touch TIMER SET.
2. Use + (plus) or - (minus) keys to adjust the time or enter the desired timer setting by touching the numerical keys.
3. Touch START TIMER.
If Start Timer is not touched, the control will continue to wait. When the set time ends, if enabled, end-of-cycle tones will continuously repeat until the "Timer Off" key is touched.
4. Touch TIMER OFF anytime to cancel the Timer or stop the reminder tones.

If Right Oven Off or Left Oven Off key is touched, the respective oven will turn off; however, the timer can only be turned off using the Timer Off key.

Off

The Off keys stop oven functions except for the Clock, Timer, and Control Lock. The oven cooling fan may continue to operate even after an oven function has been canceled or completed, depending on the oven temperature.

If the Off key is touched, the cooking function will be canceled and the display will return to the Main Menu from any menu.

Control Lock

The Control Lock shuts down the control panel keys to avoid unintended use of the oven(s). The Control Lock will remain set after a power failure, if set before the power failure occurs.

When the control is locked, only the TIMER SET, TIMER OFF and OVEN LIGHT keys will function.

The Control Lock is preset unlocked, but can be locked.

To Lock Control: Touch and hold START for approximately 5 seconds, until "controls locked" and a lock icon appears in the display and a confirmation tone sounds indicating the oven control has been locked. "Controls locked" and lock icon will appear in the display for approximately 5 seconds.

If a key is touched while the controls are locked, the invalid key touch tone will sound and a reminder message will be displayed indicating the controls are locked.

To Unlock Control: Repeat to unlock the control. A tone will sound, and a controls unlocked message will be displayed for approximately 5 seconds.

OVEN USE

About Your Oven

Odors and smoke are normal when the oven is used the first few times, or when it is heavily soiled.

During oven use, the heating elements will not remain on, but will cycle on and off throughout oven operation.

IMPORTANT: The health of some birds is extremely sensitive to the fumes given off. Exposure to the fumes may result in death to certain birds. Always move birds to another closed and well-ventilated room.

The oven is equipped with a water filtration system. This system is required for the use of the steam cooking functionality.

IMPORTANT: The oven will shut off the steam functions until the filter is replaced.

The water filter needs to be changed occasionally. The life of the filter will depend on factors such as the amount of steam cooking done and the hardness of the water in your home. The oven has a sensor to determine when the filter needs to be changed.

NOTE: It is normal to hear sounds during steam cooking cycles related to the opening and closing of the water inlet valve and water flowing into the steam system.

Aluminum Foil

IMPORTANT: To avoid permanent damage to the oven bottom finish, do not line the oven bottom with any type of foil or liner.

- For best cooking results, do not cover entire rack with foil because air must be able to move freely.
- To catch spills, place foil on rack below dish. Make sure foil is at least ½" (1.3 cm) larger than the dish and that it is turned up at the edges.

Bakeware

The bakeware material affects cooking results. Follow manufacturer's recommendations and use the bakeware size recommended in the recipe. Use the following chart as a guide.

BAKEWARE/ RESULTS	RECOMMENDATIONS
Light colored aluminum	■ Use temperature and time recommended in recipe.
■ Light golden crusts	
■ Even browning	
Dark aluminum and other bakeware with dark, dull and/or nonstick finish	■ May need to reduce baking temperatures slightly.
■ Brown, crisp crusts	■ Use suggested baking time.
	■ For pies, breads and casseroles, use temperature recommended in recipe.
	■ Place rack in center of oven.
Insulated cookie sheets or baking pans	■ Place in the bottom third of oven.
■ Little or no bottom browning	■ May need to increase baking time.

BAKEWARE/ RESULTS	RECOMMENDATIONS
Stainless steel	■ May need to increase baking time.
■ Light, golden crusts	
■ Uneven browning	
Stoneware/Baking stone	■ Follow manufacturer's instructions.
■ Crisp crusts	
Ovenproof glassware, ceramic glass or ceramic	■ May need to reduce baking temperatures slightly.
■ Brown, crisp crusts	

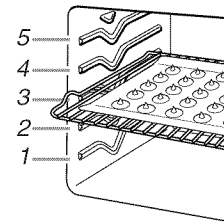
Positioning Racks and Bakeware

IMPORTANT: To avoid permanent damage to the porcelain finish, do not place food or bakeware directly on the oven door or bottom.

RACKS

- Position racks before turning on the oven.
- Do not position racks with bakeware on them.
- Make sure racks are level.

To move a rack, pull it out to the stop position, raise the front edge, then lift out. Use the following illustration and charts as a guide.



Traditional Cooking

FOOD	RACK POSITION
Large roasts, turkeys, angel food, bundt cakes, quick breads, pies	1 or 2
Yeast breads, casseroles, meat and poultry	2
Cookies, biscuits, muffins, cakes	1 and 4 or 2 and 4 or 3 for single rack baking

Convection Cooking

OVEN SETTING	NUMBER OF RACKS USED	RACK POSITION(S)
Convection Bake	1	1, 2 or 3
Convection Bake	2	1 and 4 or 2 and 4
Convection Bake	3	1, 3 and 5
Convection Roast	1	1, 2 or 3
Convection Broil	1	3 or 4

BAKEWARE

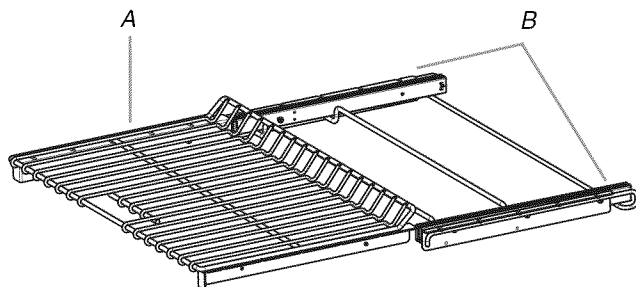
To cook food evenly, hot air must be able to circulate. For traditional cooking, allow 2" (5 cm) of space around bakeware and oven walls. For convection cooking, allow 1" (2.5 cm) of space around bakeware and oven walls. Use the following chart as a guide.

NUMBER OF PAN(S)	POSITION ON RACK
1	Center of rack.
2	Side by side or slightly staggered.
3 or 4	Placement that gives best result. Make sure that no bakeware piece is directly over another.

SatinGlide™ Roll-Out Extension Rack

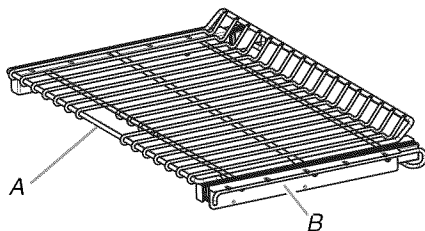
The SatinGlide™ roll-out extension rack allows easy access to position and remove food in the oven. It can be used in rack positions 1 through 4. The SatinGlide™ roll-out extension rack will not fit in position 5.

Open Position



A. SatinGlide™ Roll-out extension rack
B. Sliding shelf

Closed and Engaged Position

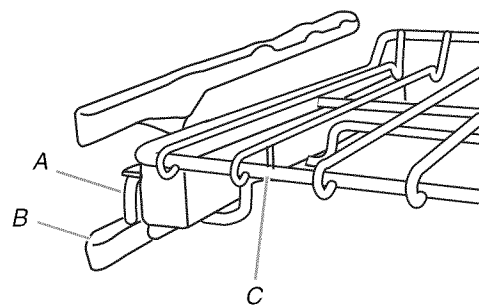


A. SatinGlide™ Roll-out extension rack
B. Sliding shelf

To Remove SatinGlide™ Roll-Out Extension Rack:

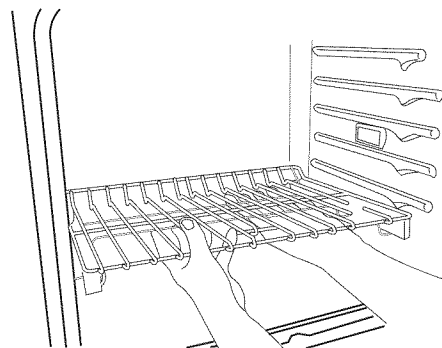
1. Slide the rack in completely so that it is closed and engaged with the sliding shelf.
2. Using 2 hands, lift up on the front edge of the rack and the sliding shelf together. Slowly push both to the back wall of the oven so the front edge of the sliding shelf sits on the rack guide located on the sides of the oven.

The front edge of the rack and the sliding shelf should be higher than the back edge.



A. Sliding shelf
B. Rack guide
C. SatinGlide™ Roll-out extension rack

3. Using 2 hands, lift up the back of the rack and the sliding shelf so that the back and front are level on the rack guide.



4. Pull the rack and the sliding shelf out.

To Replace SatinGlide™ Roll-out Extension Rack

1. Using 2 hands, grasp the front of the closed rack and the sliding shelf. Place the closed rack and the sliding shelf on the rack guide.
2. Slowly push the rack and the sliding shelf to the back of the oven until the back edge of the sliding shelf drops.
3. Pull the rack and the sliding shelf slightly forward until the front edge drops and the sliding shelf is on the rack guide.

To avoid damage to the sliding shelves, do not place more than 25 lbs (11.4 kg) on the rack.

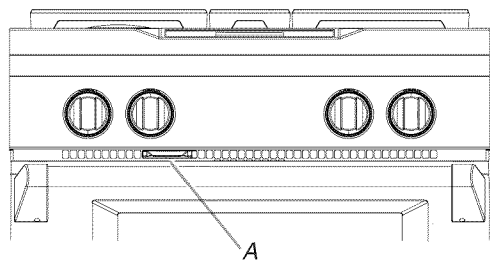
Do not clean the SatinGlide™ roll-out extension rack in a dishwasher. It may remove the rack's lubricant and affect its ability to slide.

See the "General Cleaning" section for more information.

Meat Thermometer

When not using the supplied temperature probe, use a meat thermometer to determine whether meat, poultry and fish, are cooked to the desired degree of doneness. The internal temperature, not appearance, should be used to determine doneness. A meat thermometer is not supplied with this appliance. Follow manufacturer's directions for using a meat thermometer.

Oven Vent



A. Oven vent

The oven vent should not be blocked or covered since it allows the release of hot air and moisture from the oven. Blocking or covering the vent will cause poor air circulation, affecting cooking and cleaning results. Do not set plastics, paper or other items that could melt or burn near the oven vent.

Baking and Roasting

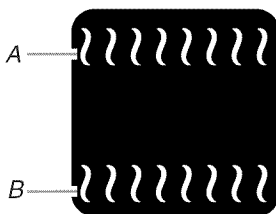
⚠ WARNING



Burn Hazard

- Use an oven mitt to remove temperature probe.**
- Do not touch broil element.**
- Failure to follow these instructions can result in burns.**

During baking or roasting, the bake and broil elements will cycle on and off in intervals to maintain the oven temperature.



A. Broil elements
B. Bake element

If the oven door is opened during baking or roasting, the heating elements (bake, both broils, and convection fan) will turn off approximately 30 seconds after the door is opened. They will turn on again approximately 30 seconds after the door is closed.

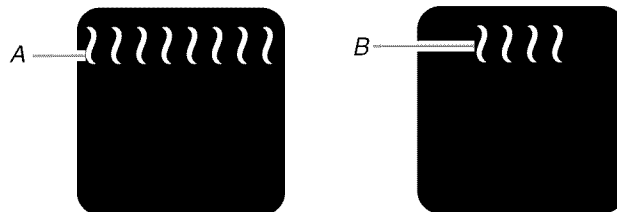
To Bake or Roast:

Before baking or roasting, position racks according to the "Positioning Racks and Bakeware" section. When roasting, it is not necessary to wait for the oven to preheat before putting food in, unless recommended in the recipe.

1. From the Main menu, touch BAKE.
2. To change the preset temperature, enter the desired temperature using the numerical keys. The temperature can be set to between 170°F and 500°F (77°C and 260°C).

3. To enter a cook time, touch COOK TIME. Enter the desired cook time using the numerical keys.
4. If using the temperature probe, touch PROBE. Enter the desired food temperature using the numerical keys.
5. Once a cooking setup function is complete, the Start key will light up.
6. When settings are correct, touch START.
7. If the oven temperature is below the set temperature, the Preheat Bar will be displayed showing the status of the preheat cycle. When preheat is complete a tone will sound.
8. During the preheat and cooking cycle an Adjust Settings key appears on the lower right hand corner of the display. Touch ADJUST SETTINGS to change the desired time, temperature and/or probe settings. Touch START to enter new settings.
9. If the Cook Time has been set or the temperature probe has been used, the Check Food message will appear at the end of the cook time or once the set temperature has been reached. If enabled, end-of-cycle tones will sound, then reminder tones will sound every minute. Touch OK to clear the message, stop reminder tones, and continue the current cooking cycle.
10. Touch OFF when finished cooking.

True-Broil™ Reflector Full and Center Broiling



A. Full broil
B. Center broil

Broiling uses direct radiant heat to cook food.

During full broiling, both the inner and outer broil elements heat. During center broiling, only the inner broil element heats. The element(s) cycle on and off in intervals to maintain the oven temperature.

If the oven door is opened during broiling, the broil element(s) will turn off in approximately 30 seconds. When the oven door is closed, the elements will come back on approximately 30 seconds later.

- For best results, use a broiler pan and grid. It is designed to drain juices and help avoid spatter and smoke. If you would like to purchase a Broiler Pan Kit, it may be ordered. See "Assistance or Service" section to order. Ask for Part Number W10123240.
- For proper draining, do not cover the grid with foil. The bottom of the broiler pan may be lined with aluminum foil for easier cleaning.
- Trim excess fat to reduce spattering. Slit the remaining fat on the edges to avoid curling.
- Pull out oven rack to stop position before turning or removing food. Use tongs to turn food to avoid the loss of juices. Very thin cuts of fish, poultry or meat may not need to be turned.
- After broiling, remove the pan from the oven when removing the food. Drippings will bake on the pan if left in the heated oven, making cleaning more difficult.

To Broil:

Before broiling, position rack according to the Broiling Chart.

When broiling, changing the temperature allows more precise control. The lower the temperature, the slower the cooking. Thicker cuts and unevenly shaped pieces of meat, fish and poultry may cook better at lower broiling temperatures.

Position food on the grid on the broiler pan, then place it in the center of the oven rack with the longest side parallel to the door. It is not necessary to wait for the oven to preheat before putting food in, unless recommended in the recipe.

Close the door.

1. From the Main menu, touch BROIL.
2. To change the preset temperature, enter the desired temperature using the numerical keys. The broil temperature can be set to between 300°F and 500°F (149°C and 260°C).
3. The oven defaults to Full broil. On 30" (76.2 cm) and 36" (91.4 cm) ovens only, touch CENTER if desired.
4. Once a cooking setup function is complete, the Start key will light up.
5. When settings are correct, touch START.
6. During the cooking cycle an Adjust Settings key appears on the lower right hand corner of the display. Touch ADJUST SETTINGS to change the desired temperature and/or Full/Center settings. Touch START to enter new settings.
7. Touch OFF when finished cooking.

BROILING CHART

For best results, place food more than 3" (7.0 cm) from the broil elements, rack position 3 is recommended. For diagram, see the "Positioning Racks and Bakeware" section.

A temperature setting of 500°F (260°C) is recommended for most food.

Times are guidelines only and may need to be adjusted for individual foods and tastes.

FOOD	COOK TIME (in minutes)
Beef	
Steak 1" to 1¼" (2.5 cm to 3 cm) thick	
medium-rare	6-12
medium	10-15
well-done	13-18
Pork	
Pork chops 1" (2.5 cm) thick	
medium	11-16
Lamb	
Lamb chops 1" (2.5 cm) thick	
medium-rare	6-13
medium	11-16
Ground Meats	
Ground beef, pork or lamb patties* ¾" (2 cm) thick	
well-done	10-14

FOOD	COOK TIME (in minutes)
Chicken	
Chicken bone-in pieces** (2" to 2½" [5 cm to 6.3 cm])	25-35
boneless pieces (4 oz., [113 g])	11-17
Fish	
Fish Fillets ½" to ¾" (1.25 to 2 cm) thick	5-9
Steaks 1" (2.5 cm) thick	12-17

*Place up to 12 patties, equally spaced, on broiler grid.

**A temperature setting of 450° (232°C) is recommended.

Dual Fan True Convection Cooking

Dual fan true convection cooking uses 2 fans (18" [45.7 cm] ovens [on some models] have 1 fan) in the oven to circulate hot air continually. This distributes heat more evenly than the natural movement of air in a standard thermal oven. The movement of hot air helps maintain a consistent temperature throughout the oven, cooking foods more evenly, crisping surfaces while sealing in moisture and yielding crustier breads.

It is normal for the convection fan to cycle on and off during a cooking cycle.

Baked goods and casseroles can be cooked by lowering cooking temperatures 25°F (14°C). It is not necessary to reduce temperature when cooking meats and poultry. Cooking times for large turkeys and other poultry may be shorter when using the convection function.

- It is important not to cover foods with lids or aluminum foil so that surface areas remain exposed to the circulating air, allowing browning and crisping.
- Keep heat loss to a minimum by opening the oven door only when necessary.
- Choose cookie sheets without sides and roasting pans with lower sides to allow air to move freely around the food.
- Test baked goods for doneness a few minutes before the minimum cooking time using a method such as a toothpick.

⚠ WARNING



Burn Hazard

Use an oven mitt to remove temperature probe.


Do not touch broil element.

Failure to follow these instructions can result in burns.

- Use a meat thermometer or the temperature probe to determine the doneness of meats and poultry. Check the temperature of pork and poultry in 2 or 3 places.

Convection Bake

⚠ WARNING



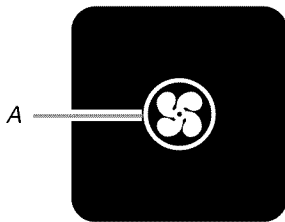
Burn Hazard

Use an oven mitt to remove temperature probe.

Do not touch broil element.

Failure to follow these instructions can result in burns.

A convection element is hidden in the rear panel of the oven cavity, and assisted by the convection fan, provides balanced, efficient heating.



A. Convection element (hidden) and fan

Convection baking can be used for baking delicate cakes and pastries, as well as foods on multiple racks. It is helpful to stagger items on the racks to allow a more even flow of heat. If the oven is full, extra cooking time may be needed.

When cooking an oven meal with several different types of foods, be sure to select recipes that require similar temperatures. Cookware should sit in the oven with at least 1" (2.5 cm) of space between the cookware and the sides of the oven.

During convection baking preheat, the convection element, broil element, and the CleanBake™ element all heat the oven cavity. After preheat, the convection element, the CleanBake™ element, and the fan will cycle on and off in intervals to maintain oven temperature.

If the oven door is opened during convection baking, the fan turns off immediately when the door is opened and turns on immediately when the door is closed. Convection, Bake and Broil (only during preheating) elements will turn off approximately 30 seconds after the door is opened. They will turn on again approximately 30 seconds after the door is closed.

- Reduce recipe temperature 25°F (14°C). The cook time may need to be reduced also.

To Convection Bake:

Before convection baking, position racks according to the "Positioning Racks and Bakeware" section. When using 2 racks, place on guides 1 and 4. When using 3 racks, place on guides 1, 3 and 5.

1. From the Main menu, touch CONVECT.
2. Touch BAKE.
3. To change the preset temperature, enter the desired temperature on the numerical keys. The convection bake temperature can be set to between 170°F and 500°F (77°C and 260°C).
4. To set the cook time, touch COOK TIME. Enter the desired cook time using the numerical keys.
5. If using the temperature probe, touch PROBE and enter the desired food temperature using the numerical keys.
6. Once a cooking setup function is complete, the Start key will light up.
7. When settings are correct, touch START.
8. During the preheat and cooking cycle an Adjust Settings key appears on the lower right hand corner of the display. Touch ADJUST SETTINGS to change the desired time, temperature and/or probe settings. Touch START to enter new settings.
9. If the oven temperature is below the set temperature, the Preheat Bar will be displayed showing the status of the preheat cycle. When preheat is complete a tone will sound.
10. If the Cook Time has been set or the temperature probe has been used, the Check Food message will appear at the end of the cook time or once the set temperature has been reached.

If enabled, end-of-cycle tones will sound, then reminder tones will sound every minute. Touch OK to clear the message, stop reminder tones, and continue the current cooking cycle.
11. Touch OFF when finished cooking.

Convection Roast

WARNING



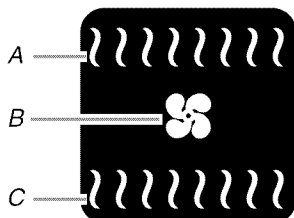
Burn Hazard

Use an oven mitt to remove temperature probe.

Do not touch broil element.

Failure to follow these instructions can result in burns.

Convection roasting is used for roasting meats and poultry. During convection roasting, the CleanBake™ and broil elements will cycle on and off in intervals to maintain oven temperature, while the fan constantly circulates the hot air.



A. Broil heat
B. Convection fan
C. Bake heat

If the oven door is opened during convection roasting, the fan turns off immediately when the door is opened and turns on immediately when the door is closed. Broil and bake elements will turn off approximately 30 seconds after the door is opened. They will turn on again approximately 30 seconds after the door is closed.

- It is not necessary to reduce oven temperature when roasting with convection. Roasting time may be shorter for poultry.
- For best results, use a broiler pan, grid and roasting rack, designed to drain juices and help avoid spatter and smoke.

If you would like to purchase a Broiler Pan Kit, it may be ordered. See “Assistance or Service” section to order. Ask for Part Number W10123240.

To Convection Roast:

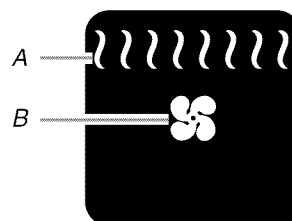
Before convection roasting, position racks according to the “Positioning Racks and Bakeware” section. It is not necessary to wait for the oven to preheat before putting food in, unless recommended in the recipe.

Use a roasting rack on top of the broiler pan and grid. This holds the food above the grid and allows air to circulate completely around all surfaces.

1. From the Main menu, touch CONVECT.
2. Touch ROAST.
3. To change the preset temperature, enter the desired temperature on the numerical keys. The convection roast temperature can be set to between 170°F and 500°F (77°C and 260°C).
4. To change the cook time, touch COOK TIME. Enter the desired cook time using the numerical keys.
5. If using the temperature probe, touch PROBE and enter the desired food temperature using the numerical keys.

6. Once a cooking setup function is complete, the Start key will light up.
7. When settings are correct, touch START.
8. During the preheat and cooking cycle an Adjust Settings key appears on the lower right hand corner of the display. Touch ADJUST SETTINGS to change the desired time, temperature and/or probe settings. Touch START to enter new settings.
9. If the oven temperature is below the set temperature, the Preheat Bar will be displayed showing the status of the preheat cycle. When preheat is complete a tone will sound.
10. If the Cook Time has been set or the temperature probe has been used, the Check Food message will appear at the end of the cook time or once the set temperature has been reached.
If enabled, end-of-cycle tones will sound, then reminder tones will sound every minute. Touch OK to clear the message, stop reminder tones, and continue the current cooking cycle.
11. Touch OFF when finished cooking.

Convection Broil



A. Broil heat
B. Convection fan

During convection broiling, the broil elements will cycle on and off in intervals to maintain oven temperature, while the fan constantly circulates the hot air.

The temperature is preset at 325°F (163°C), but can be changed to a different temperature. Cooking times will vary depending on the rack position and temperature and may need to be adjusted.

If the oven door is opened during convection broiling, the fan turns off immediately when door is opened and turns on again immediately when door is closed. Broil elements will turn off approximately 30 seconds after the door is opened. They will turn on again approximately 30 seconds after the door is closed.

To Convection Broil:

Before convection broiling, see “Full and Center Broiling” section for general broiling guidelines. Position rack.

Allow the oven to preheat for 5 minutes. Position food on the unheated grid on the broiler pan, then place it in the center of the oven rack with the longest side parallel to the door.

Close the door.

1. From the Main menu, touch CONVECT.
2. Touch BROIL.
3. To change the preset temperature, enter the desired temperature on the numerical keys. The convection broil temperature can be set between 300°F and 500°F (149°C and 260°C).
4. Once a cooking setup function is complete, the Start key will light up.
5. When settings are correct, touch START.
6. Touch OFF when finished cooking.

EasyConvect™ Conversion

Convection temperatures and times can differ from those of standard cooking. EasyConvect™ conversion will automatically reduce standard recipe temperatures and/or times for convection cooking.

The conversion may not be exact because foods are grouped in general categories. To ensure optimal cooking results, the oven will prompt a food check at the end of a non-delayed cook time. Use the following chart as a guide.

SETTING	FOODS
Meats & Poultry	Roasts: Pork, Beef and Ham Chicken: Whole and Pieces Meat Loaf Baked potatoes Turkey and large poultry are not included because their cook times vary.
Cookies & Cakes	Cookies, Cakes
Pizza & Snack Foods	Pizza, Convenience foods: french fries, nuggets, and fish sticks
Biscuits & Bread	Biscuits, Breads: Quick and Yeast
Casseroles & Fish	Fish, Casseroles: Including frozen entrees and soufflés
Pies	Pies: Fruit and Custard

To Use:

1. From the Main menu, touch CONVECT.
2. Touch EASYCONVECT.
3. Select the appropriate food category using the chart as a reference.
4. Enter the standard temperature using the numerical keys.
5. Enter the standard cook time using the numerical keys.
6. Once a cooking setup function is complete, the Start key will light up.
7. When settings are correct, touch START. The control will automatically adjust the time and/or temperature for convection cooking.

8. If the oven temperature is below the set temperature, the Preheat Bar will be displayed showing the status of the preheat cycle. When preheat is complete a tone will sound.
9. During the preheat and cooking cycle an Adjust Settings key appears on the lower right hand corner of the display. Touch ADJUST SETTINGS to change the desired time and temperature. Touch START to enter new settings.
10. The Check Food message will appear at the end of the cook time or once the set temperature has been reached.
If enabled, end-of-cycle tones will sound, then reminder tones will sound every minute. Touch OK to clear the message, stop reminder tones, and continue the current cooking cycle.
11. Touch OFF when finished cooking.

Proofing Bread

Proofing bread prepares dough for baking by activating the yeast. Proofing twice is recommended unless the recipe directs otherwise.

To Proof:

Before first proofing, place dough in a lightly greased bowl and cover loosely with wax paper coated with shortening. Place bowl on rack position 2. See "Positioning Racks and Bakeware" for diagram. Close door.

1. From the main menu, select Bread Proof. The display will show 100°F (38°C).
2. To set a proof time, touch PROOF TIME.
3. Enter the desired time using the numerical keys.
4. Once a proofing setup function is complete, the Start key will light up.
5. When settings are correct, touch START.
Let dough rise until nearly doubled in size, check at 20 to 25 minutes. Proofing time may vary depending on dough type and quantity.
6. If the Proof Time has been set, the Check Food message will appear at the end of the cook time.
If enabled, end-of-cycle tones will sound, then reminder tones will sound every minute. Touch OK to clear the message, stop reminder tones, and continue the current cooking cycle.
7. Touch OFF when finished proofing.

Before second proofing, shape dough, place in baking pan(s) and cover loosely with plastic wrap coated with cooking spray. Follow same placement, and control steps above. Before baking, remove plastic wrap.

STEAM-ASSISTED COOKING

Steam-assisted cooking builds on the benefits of convection cooking by helping to retain moisture, texture and flavor in food. Steam or moisture is automatically added during the cooking cycles.

There are 2 categories of steam-assisted cooking: Auto Steam and Manual Steam.

- Steam eliminates the need for the use of parchment paper wraps (for cooking fish), water baths and spritzing during the cooking process.
- When cooking with steam, place meat, poultry, seafood, vegetables, desserts, and casseroles into a cool oven. For best cooking results, allow the oven to cool down from previous cooking before steam cooking. If the oven temperature is above 170°F (77°C), a message will appear telling you the oven is above 170°F (77°C) and recommending you let it cool before proceeding.
- If oven is warm from use, cooking times may be shorter.
- Optimum levels of moisture are introduced at the appropriate time during the cooking cycles.
- Specially developed cycles enhance browning on meats, poultry and bread.
- When baking bread, preheating is required.
- The convection fan will run continuously during all steam functions except Seafood and Desserts.
- When a steam-assisted set cook time has elapsed, the oven cooking cycle will continue to run until Off is pressed.

Reference the “Cooking Charts” section when using steam-assisted cooking and to help you convert your own recipes.

Auto Steam

Auto Steam has 7 settings: Meats, Poultry, Seafood, Breads, Vegetables, Desserts and Casseroles. Auto Steam settings have preset temperature and time settings to guide the cooking process. Choose the type of food being cooked, and a suggested temperature and time will appear on the display. If desired, both the temperature and time can be changed according to recipe recommendation.

NOTE: For optimal cooking results, avoid opening door during steam-assisted cooking. If the oven door is opened, steam production is automatically shut off until the door is closed. If the door is opened during steam cooking, a message will appear telling you the door is open and you must close the door to resume cooking.

Auto Steam Time and Temperature Chart

Auto Steam Function	Default Temperature	Browning	Cook Time	Probe
Meats	325°F (160°C)	Medium	1:30	Off
Poultry	325°F (160°C)	Medium	1:30	Off
Seafood	250°F (170°C)	Off	0:25	
Breads	400°F (205°C)		0:30	
Vegetables	250°F (135°C)	Off	0:20	
Desserts	275°F (135°C)		0:30	
Casseroles	350°F (160°C)	Off	0:30	

Auto Steam Settings

Meats

The Meats setting gives best results with tender cuts of meat that would typically be dry roasted.

The Meats setting has 2 phases. During the first phase, the oven temperature will automatically rise above the set temperature for optimal browning conditions.

- Most of the browning will occur during this phase; this is normal.

During the second phase, the temperature is reduced to the set temperature. Steam is added to provide a moist environment to maintain the juiciness of your meat.

- During this phase, very little exterior browning will occur.

NOTE: Restarting the cycle will overcook and/or overbrown food. Instead, change the time and/or temperature.

When using the Meats setting:

- For best results, use a broiler pan, grid and roasting rack, designed to drain juices and help avoid spatter and smoke. If you would like to purchase a Broiler Pan Kit, it may be ordered. See “Assistance or Service” section to order. Ask for Part Number W10123240.
- Preheating is not recommended.
- Lower standard baking temperature by 25°F (15°C).
- Roasting time may need to be reduced by up to 20 percent compared to convection and traditional roasting times.
- Use a meat thermometer to gauge doneness of food.

With traditional roasting, standing time is included before carving. The internal temperature will usually increase 5°F to 10°F (2°C to 5°C) during standing time. When roasting with the Auto Steam Meats setting, the internal temperature may increase 15°F to 20°F (5°C to 10°C) during standing time; therefore, it is necessary to stop cooking and remove the meat at a lower internal temperature than with conventional roasting.

Poultry

The Poultry setting gives best results with poultry that would typically be roasted without steam.

The Poultry setting has 2 phases. During the first phase, the oven temperature will automatically rise above the set temperature for optimal browning conditions.

- Most of the browning will occur during this phase. This is normal.

During the second phase, the temperature is reduced to the set temperature. Steam is added to provide a moist environment to maintain the juiciness of your poultry.

- During this phase, very little exterior browning will occur.

NOTE: Restarting the cycle will overcook and/or overbrown food. Instead, change the time and/or temperature.

When using the Poultry setting:

- For best results, use a broiler pan, grid and roasting rack.
- Preheating is not recommended.
- Roasting time may need to be reduced up to 20 percent compared to convection and traditional roasting times.
- Use a meat thermometer to gauge doneness of food.

Seafood

The Seafood setting bakes at a lower temperature than traditional baking. This gives you moist, tender, evenly-cooked fish with results similar to those achieved when steaming fish in parchment paper. You can cook shellfish, fillets, steaks or whole fish with this setting.

- For best results, use a broiler pan and grid or a low-sided baking pan.
- Preheating is not recommended.
- The convection fan will turn on mid-cycle and remain on for the rest of the cycle.
- Very little to no browning will occur throughout the cycle. If browning is desired, use a higher browning level.

Breads

The Breads setting gives best results when baking yeast breads. With the addition of steam to the cycle, you no longer need to spritz with water or to add moisture into the oven to achieve a crispy crust and moist interior.

- Preheating is required.
- Lower standard baking temperature by 25°F (15°C).
- Baking times may be slightly less than with standard baking.
- If you are using a baking stone, place it in the oven on rack position 1 before beginning the cycle. For other bread baking, use rack position 1 or 2.

The oven will preheat to a temperature higher than the set temperature. It will then begin adding steam so the bread dough will go into a moist, hot environment, which is best for rising and crust development.

After preheat, place the bread dough in the oven as quickly as possible and close the door. The oven temperature will reduce to the set temperature, and a small amount of moisture will be added. The remainder of the cycle is dry heat for optimal browning.

Vegetables

The Vegetables setting gives results similar to steaming on a cooktop or in a microwave oven. This setting also allows you to steam a larger quantity of vegetables than a cooktop or microwave oven.

- Preheating is not recommended.
- When steaming vegetables use the default setting of 250°F and arrange the vegetables in a single layer on a low-sided baking pan. Corn on the cob can be cooked directly on the oven rack.
- Check vegetables for doneness early. Freshness of the vegetable affects the required cooking time.
- Steaming artichokes, beets, green beans and broccoli is not recommended.

Desserts

The Desserts setting gives best results for delicate desserts such as crème brulee and cheesecake that are typically baked in a water bath. This setting also works well for other custard based dishes, and souffles.

- Preheating is not recommended.
- The convection fan will turn on mid-cycle and turn off before the end of the cycle.
- Lower standard baking temperature by 25°F to 50°F (15°C to 30°C).
- Allows the center of a dessert to bake without overcooking the outer edges.
- It is not necessary to cook with a water bath.

Casseroles

The Casseroles setting allows you to bake an uncovered casserole without over browning the edges or drying it out.

- Preheating is not recommended.
- Covering the food is not recommended.
- Cooking time may need to be reduced up to 20 percent compared to traditional cooking times.
- Lower standard baking temperature by 25°F (15°C).
- Allows the center of the casserole to bake without overcooking the outer edges.
- Amount of browning can be controlled by adjusting the browning level.

To Cook with Auto Steam:

⚠ WARNING



Burn Hazard

Use an oven mitt to remove temperature probe.

Do not touch broil element.

Failure to follow these instructions can result in burns.

Before baking and roasting, position racks according to the “Positioning Racks and Bakeware” section.


1. From the Main menu, touch STEAM COOK.
2. Touch AUTO STEAM.
3. Touch the desired Auto Steam setting.
4. To change the temperature, enter the desired temperature using the numerical keys.
5. To change the cook time, touch COOK TIME. Enter the desired cook time using the numerical keys.

6. If using the temperature probe, touch PROBE and enter the desired food temperature using the numerical keys.
7. To change the level of browning, touch BROWNING. Touch the + (plus) or - (minus) to increase or decrease to the desired level. Touch OK.
8. Once a cooking setup function is complete, the Start key will light up.
9. When settings are correct, touch START.
A message will appear telling you to Place Food in Oven. Place the food in the oven and touch OK. Connect the temperature probe if appropriate.
10. During the cooking cycle an Adjust Settings key appears on the lower right hand corner of the display. Touch ADJUST SETTINGS to change the desired time, temperature, probe and/or Browning settings. Touch START to enter new settings.
11. If the Cook Time has been set or the temperature probe has been used, the Check Food message will appear at the end of the cook time or once the set temperature has been reached.
If enabled, end-of-cycle tones will sound, then reminder tones will sound every minute. Touch OK to clear the message, stop reminder tones, and continue the current cooking cycle.
12. Touch OFF when finished cooking.

NOTE: For breads, if the oven temperature is below the set temperature, the Preheat Bar will be displayed showing the status of the preheat cycle. When preheat is complete, a tone will sound and message telling you to Place Food in Oven will appear.

Manual Steam

⚠ WARNING



Burn Hazard

Use an oven mitt to remove temperature probe.

Do not touch broil element.

Failure to follow these instructions can result in burns.

Manual steam allows you to set the temperature, cook time, preheat cycle, browning level, and the amount of steam used during the cooking process.

To Cook with Manual Steam:

- Before baking and roasting, position racks according to the "Positioning Racks and Bakeware" section.
1. From the Main menu, touch STEAM COOK.
 2. Touch MANUAL STEAM.
 3. Touch the Manual Steam setting.
 4. To change the temperature, enter the desired temperature using the numerical keys.
 5. To change the cook time, touch COOK TIME. Enter the desired cook time using the numerical keys.

6. If using the temperature probe, touch PROBE and enter the desired food temperature using the numerical keys.
7. To preheat, touch PREHEAT. Touch ON. Touch OK.
8. To change the level of browning, touch BROWNING. Touch the + (plus) or - (minus) to increase or decrease to the desired level. Touch OK.
9. To change the level of steam intensity, touch STEAM. Touch the + (plus) or - (minus) to increase or decrease to the desired level. Touch OK.
10. Once a cooking setup function is complete, the Start key will light up.
11. When settings are correct, touch START.
A message will appear telling you to Place Food in Oven. Place the food in the oven and touch OK. Connect the temperature probe if appropriate.
12. During the preheat (if used) and cooking cycle an Adjust Settings key appears on the lower right hand corner of the display. Touch ADJUST SETTINGS to change the desired time, temperature, probe and/or Browning settings. Touch START to enter new settings.
13. If the Cook Time has been set or the temperature probe has been used, the Check Food message will appear at the end of the cook time or once the set temperature has been reached.
If enabled, end-of-cycle tones will sound, then reminder tones will sound every minute. Touch OK to clear the message, stop reminder tones, and continue the current cooking cycle.
14. Touch OFF when finished cooking.

NOTE: Preheating when cooking with steam is generally only recommended for breads. If preheat is selected and the oven temperature is below the set temperature, the Preheat Bar will be displayed showing the status of the preheat cycle. When preheat is complete, a tone will sound and message telling you to Place Food in Oven will appear.

Keep Warm

⚠ WARNING

Food Poisoning Hazard

Do not let food sit in oven more than one hour before or after cooking.

Doing so can result in food poisoning or sickness.

IMPORTANT: Food must be at serving temperature before placing it in the warmed oven.

The steam-assisted Keep Warm function adds moisture into the oven to keep food from drying out, keeping food warm and moist before serving.

- Do not use Keep Warm to heat cold food. Use only cooked, hot foods with Keep Warm.
- Follow manufacturer's recommendations when warming empty serving bowls and plates.
- For best results, do not cover food with foil or lids during the first hour. After that, check food occasionally and cover if necessary.
- Use rack positions 1-4. Do not place food on top rack.
- For best results, hold food in Keep Warm for no longer than 4 hours.

The following chart provides recommendations for different foods within a range of temperatures. The temperature range can be set to between 140°F and 200°F (60°C and 93°C). Use these temperatures as a guideline and adjust as required for smaller or larger pieces and quantities of food.

Keep Warm Chart

Setting	Recommended Foods
140°F-160°F (60°C-71°C)	Bread, rolls Fruit pies Coffee cake/pastries
165°F-180°F (74°C-82°C)	Appetizer Casseroles Custard, pumpkin pies Egg dishes Fish* Meats** Poultry Vegetables
185°F-200°F (85°C-93°C)	Bacon*** French toast Pancakes Waffles***

*Fish must be cooked thoroughly until opaque and flaky.

**Beef must be cooked to at least an internal temperature of 140°F (60°C).

***Arrange in a single layer on a wire cooling rack. Set rack on a baking sheet.

To Use:

1. From the Main menu, touch KEEP WARM.
2. To change the temperature, enter the desired temperature using the numerical keys.
3. To change the warm time, touch WARM TIME. Enter the desired warm time using the numerical keys.
4. Once a cooking setup function is complete, the Start key will light up.
5. When settings are correct, touch START.
6. During the warming cycle an Adjust Settings key appears on the lower right hand corner of the display. Touch ADJUST SETTINGS to change the desired time and/or temperature. Touch START to enter new settings.
7. If the Warm Time has been set, the Check Food message will appear at the end of the warm time has been reached. If enabled, end-of-cycle tones will sound, then reminder tones will sound every minute. Touch OK to clear the message, stop reminder tones, and continue the current cooking cycle.
8. Touch OFF when finished warming.

Temperature Probe

⚠ WARNING



Burn Hazard

Use an oven mitt to remove temperature probe.

Do not touch broil element.

Failure to follow these instructions can result in burns.

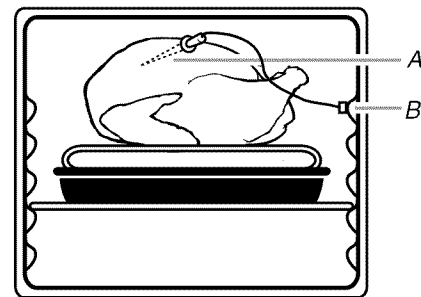
The temperature probe accurately measures the internal temperature of meat, poultry and casseroles with liquid and should be used in determining the doneness of meat and poultry. It should not be used during full and center broiling, convection broiling or proofing bread.

Always unplug and remove the temperature probe from the oven when removing food.

The temperature probe is available on most cycles including: Auto Steam, Manual Steam, Bake, Convection Bake, Convection Roast, and EasyConvection™ Conversion (Meats, Poultry, Casseroles, or Fish).

To Use:

Before using, insert the probe into the center of the thickest portion of meat or into the inner thigh or breast of poultry, away from fat or bone at an angle as shown in following diagram. Place food in oven and connect the temperature probe to the jack. Keep probe as far away from heat source as possible. Close oven door.



A. Temperature probe
B. Temperature probe jack

1. From the entry selection menu of those cooking functions where a temperature probe is used, touch PROBE.
2. Touch the number keys to enter a probe temperature, if other than 160°F (75°C). The probe temperature is the desired internal temperature of the food when it is done. The temperature can be set to between 130°F and 180°F (55°C and 82°C).

NOTE: When using the probe, the Cook Time function may not be used.

3. If the probe is set and connected to the oven, the probe icon is displayed in the oven cavity icon.

If the probe is set and not connected to the oven, a "Probe Not Connected" message will be displayed. The probe icon will be displayed and the icon will blink until the probe is connected.

4. Once the Start key is touched, the probe display appears. If the current probe temperature is below 130°F (54°C), the display shows “Below 130°F (54°C)”.
The display shows the current probe temperature once it reaches 130°F (54°C).
5. During cooking cycle an Adjust Settings key appears on the lower right hand corner of the display. Touch ADJUST SETTINGS to change the desired probe temperature. Touch START to enter new settings.
6. When the set probe temperature is reached, the Check Food message appears on the oven display, the probe temperature begins to blink.
If enabled, end-of-cycle tones will sound, then reminder tones will sound every minute. Touch OK to clear the message, stop reminder tones, and continue the current cooking cycle.
7. Touch OFF when finished cooking.
8. Always unplug and remove the temperature probe from the oven when removing food. The probe symbol will remain lit in the display until the probe is unplugged.

Timed/Delay Cooking

! WARNING

Food Poisoning Hazard

Do not let food sit in oven more than one hour before or after cooking.

Doing so can result in food poisoning or sickness.

Timed Cooking allows the oven(s) to cook for a set length of time. Delay Cooking allows the oven(s) to be set to turn on at a certain time of day. Delay start should not be used for food such as breads and cakes because they may not bake properly.

Timed Cooking is available on most cycles including: Bake, Convection Bake, Convection Roast, Easy Convection™ Conversion, Bread Proof, and Keep Warm.

Delay Cooking is available on the Bake, Convection Bake, and Convection Roast cycles.

To Set a Cooking Time:

1. From the entry selection menu of those cooking functions where Cook Time is available, touch COOK TIME.
2. Use the numerical keys to input the desired cook time.
3. Once the Start key is touched, the cook time will be displayed.
4. During cooking cycle an Adjust Settings key appears on the lower right hand corner of the display. Touch ADJUST SETTINGS to change the desired cook time. Touch START to enter new settings.
5. When the end of the cook time is reached, the Check Food message will appear in the oven display.
If enabled, end-of-cycle tones will sound, then reminder tones will sound every minute. Touch OK to clear the message, stop reminder tones, and continue the current cooking cycle.
6. Touch OFF when finished cooking.

NOTE: For best cooking results, when the temperature probe is being used, the Cook Time function cannot be used.

To Set a Delay Cooking Time:

Before setting, make sure the clock is set to the correct time of day. See “Clock” section.

1. From the Main menu, touch MORE.
2. Touch DELAY COOK.
3. Use the numerical keys to enter the desired delay time. For example, if you would like the oven to turn on in 1 hour and 20 minutes, enter 1:20.
4. Set the cooking time and adjust cooking temperature.
5. Once the Start key is touched, the Cooking Delayed message appears on the oven display, showing the settings.
A countdown timer will be displayed in the lower left hand portion of the display showing the time remaining until cooking begins.
6. When the start time is reached, the oven will automatically turn on. The minute time countdown will appear on the oven display.
7. When the end of the cook time is reached, the Bake Complete message will appear in the oven display.
If enabled, end-of-cycle tones will sound, then reminder tones will sound every minute. Touch OK to clear the message, stop reminder tones, and continue the current cooking cycle.
8. Touch OFF when finished cooking.

COOKING CHARTS

Traditional baking oven temperatures and baking times from these charts are given to help you learn to convert your own recipes.

Bread Baking Chart

For best cooking results, bake on rack positions 1 or 2.

Yeast Breads

FOOD	OVEN TEMPERATURE	BAKING TIME (in minutes)
Basic White Bread (8½" x 4½" x 2½" [21.6 cm x 11.4 cm x 6.4 cm] pan)		
Recipe: Bake	400°F (200°C)	30*
Auto Steam Breads	375°F (190°C)	25*
Convection Bake	375°F (190°C)	25*
Yeast Rolls		
Recipe: Bake	425°F (220°C)	12*
Auto Steam Breads	375°F (190°C)	12*
Convection Bake	400°F (200°C)	8*
French Bread (approximately 1½ lbs [680 g] loaves)		
Recipe: Bake	450°F (230°C)	30
Auto Steam Breads	400°F (200°C)	30
Convection Bake	425°F (220°C)	30
Honey Oatmeal Bread (8½" x 4½" x 2½" [21.6 cm x 11.4 cm x 6.4 cm] pan)		
Recipe: Bake	375°F (190°C)	40
Auto Steam Breads	325°F (165°C)	35
Convection Bake	350°F (175°C)	37
Light Rye Bread (approximately 1¼ lbs [567 g] loaves)		
Recipe: Bake	350°F (175°C)	30-45
Auto Steam Breads	325°F (165°C)	34-36
Convection Bake	325°F (165°C)	34-36
Cinnamon Rolls (12 rolls in a 13" x 9" x 2" [33 cm x 22.9 cm x 5 cm] pan)		
Recipe: Bake	350°F (175°C)	20-25
Auto Steam Breads	325°F (165°C)	19-20
Convection Bake	325°F (165°C)	18-20
Pizza Crust (14" [35.6 cm] pizza pan with toppings)		
Recipe: Bake	450°F (230°C)	15-20
Auto Steam Breads	425°F (220°C)	12-13
Convection Bake	425°F (220°C)	12-13

*Or until golden brown.

Quick Breads

FOOD	OVEN TEMPERATURE	BAKING TIME (in minutes)
Banana Nut Bread (9" x 5" x 3" [22.9 cm x 12.7 cm x 7.6 cm] pan)		
Recipe: Bake	350°F (175°C)	40-45
Auto Steam Breads	325°F (165°C)	38-40
Convection Bake	325°F (165°C)	40-45
Baking Powder Biscuits (2" [5 cm] biscuits, rolled to ½" [1.3 cm] thickness)		
Recipe: Bake	450°F (230°C)	12-15
Auto Steam Breads	425°F (220°C)	9-11
Convection Bake	425°F (220°C)	11-13
Bran Muffins (2¾" x 1¼" [7 cm x 3.2 cm] cup size)		
Recipe: Bake	400°F (200°C)	20*
Auto Steam Breads	375°F (190°C)	16*
Convection Bake	375°F (190°C)	15*

*Or until a toothpick inserted into the center comes out clean.

Other Foods

FOOD	OVEN TEMPERATURE	BAKING TIME (in minutes)
Lemon-Poppy Seed Popovers		
Recipe: Bake	400°F (200°C)	40
Auto Steam Breads	375°F (190°C)	40
Convection Bake	375°F (190°C)	30-35
Brie Baked in Pastry		
Recipe: Bake	350°F (175°C)	30-40
Auto Steam Breads	350°F (175°C)	40
Beef Wellington, 2½ lbs (1.1 kg) roast		
Recipe: Bake	400°F (200°C)	50-55*
Auto Steam Breads	375°F (190°C)	60-65*

*To medium-rare and crust golden brown.

Casseroles Baking Chart

For best cooking results, bake Casseroles on rack positions 1 or 2.

FOOD	OVEN TEMPERATURE	BROWNING	BAKING TIME (in minutes)
Spicy Chicken and Rice – chicken pieces over rice/vegetable mixture (3 qt [2.8 L] rectangular baking dish)			
Recipe: Bake (covered)	375°F (190°C)		50-60
Auto Steam Casseroles	350°F (175°C)	Low	40-45 or until chicken is done and rice is tender
Macaroni and Cheese (1 qt [0.9 L] casserole)			
Recipe: Bake	350°F (175°C)		25-30
Auto Steam Casseroles	325°F (165°C)	Low	20 or until hot and bubbly
Tuna-Noodle – covered in bread crumbs (1½ qt [1.4 L] casserole)			
Recipe: Bake	375°F (190°C)		20
Auto Steam Casseroles	350°F (175°C)	Off	17-20 or until hot and bubbly
Hamburger Pie – hamburger/vegetable mix topped with mashed potato mounds (1½ qt [1.4 L] casserole)			
Recipe: Bake	375°F (190°C)		20-25
Auto Steam Casseroles	350°F (175°C)	Off	20 or until heated through

Desserts Baking Chart

For best cooking results, bake on rack positions 1, 2 or 3.

FOOD	OVEN TEMPERATURE	BAKING TIME (in minutes)
Bread Pudding (8" x 8" x 2" [20.3 cm x 20.3 cm x 5 cm] baking dish)		
Recipe: Bake	325°F (165°C)	35-40
Auto Steam Desserts	275°F (135°C)	35 or until knife inserted in center comes out clean
Chocolate Souffle (2 qt [1.9 L] souffle dish)		
Recipe: Bake	375°F (190°C)	35-40
Auto Steam Desserts	300°F (150°C)	40-45 or until knife inserted under "top hat" comes out clean
Banana Souffle (1½ qt [1.4 L] souffle dish)		
Recipe: Bake	375°F (190°C)	35
Auto Steam Desserts	300°F (150°C)	37-40 or until golden brown
Cheese Souffle (2 qt [2 L] souffle dish)		
Recipe: Bake	350°F (175°C)	50
Auto Steam Desserts	300°F (150°C)	55 or until knife inserted near center comes out clean
Sweet Potato Puff (9" [22.9 cm] pie plate)		
Recipe: Bake	400°F (200°C)	30
Auto Steam Desserts	350°F (175°C)	28 or until set

Auto Steam Vegetable Cooking Chart

FOOD	OVEN TEMPERATURE	BROWNING	COOKING TIME (in minutes)
Asparagus Spears	250°F (120°C)	Off	12-16
Acorn Squash 1-1½ lbs (454-680 g)	250°F (120°C)	Off	23-25
Carrots (whole)	250°F (120°C)	Off	20-25
Cauliflower (flowerets)	250°F (120°C)	Off	16-18
Cauliflower (whole)	260°F (127°C)	Off	24-30
Corn on the Cob (without husk)	250°F (120°C)	Off	20-25
Corn on the Cob (with husk, no soaking required)	250°F (120°C)	Off	22-24
Mushrooms (small, whole)	250°F (120°C)	Off	11-12
Potatoes (tiny, new)	250°F (120°C)	Off	25-26
Zucchini (sliced)	250°F (120°C)	Off	11-12
Scalloped Corn (2 qt [1.9 L] dish)			
Recipe: Bake	325°F (165°C)		40-50
Auto Steam Vegetables	300°F (150°C)	Off	27
Stuffed Green Peppers (4 servings)			
Recipe: Bake	375°F (190°C)		15
Auto Steam Vegetables*	325°F (163°C)	Off	20 or until heated through

*Use raw peppers, do not put in boiling water.

Auto Steam Seafood Cooking Chart

FOOD	OVEN TEMPERATURE	BROWNING	COOKING TIME (in minutes)
Filletts, ¼" (0.6 cm) thick	250°F (120°C)	Off	11-12
Filletts, ½" (1.3 cm) thick	250°F (120°C)	Off	11-13
Filletts, 1" (2.5 cm) thick	300°F (150°C)	Off	17-20
Whole, dressed 1" (2.5 cm) thick	340°F (170°C)	Low	13-14
Scallops (U-10 ct)	250°F (120°C)	Off	13-14
Shrimp (16-20 ct)	250°F (120°C)	Off	11-12
Shrimp (26-30 ct)	250°F (120°C)	Off	11-13
Lobster Tail (10-12 oz [283-340 g])	250°F (120°C)	Off	18-19

Manual Steam Cooking Chart

For best cooking results, use rack position 1 or 2 when Manual Steam cooking.

FOOD	PREHEAT	OVEN TEMPERATURE	BROWNING	STEAM PERCENT	COOKING TIME (in minutes)
Crusty Pizza Dough (14" [35.6 cm] pizza pan with toppings)					
Recipe: Bake		450°F (230°C)			15-20
Manual Steam	On	425°F (220°C)	Off	80	10-11
Lasagna (2 qt [2 L] rectangular baking dish)					
Recipe: Bake		375°F (190°C)			30-35
Manual Steam	Off	350°F (175°C)	Off	100	23-25 or until heated through

FOOD	PREHEAT	OVEN TEMPERATURE	BROWNING	STEAM PERCENT	COOKING TIME (in minutes)
Oven Frittata (10" [25.4 cm] ovenproof skillet)					
Recipe: Bake*		350°F (175°C)			15
Manual Steam	Off	325°F (165°C)	Off	100	11-13 or until knife inserted near center comes out clean
(*Cook vegetables in skillet, add eggs and place in oven.)					
Bratwurst (fresh)					
Manual Steam	Off	250°F (120°C)	Medium	100	18-20 or 165°F (74°C) internal temperature
Chicken Breasts (boneless, skinless, 7-8 oz [218-249 g])					
Manual Steam	Off	350°F (175°C)	Low	80	23 or 165°F (74°C) internal temperature
Meat Loaf (7" x 3" x 2" [17.8 cm x 7.6 cm x 5 cm] loaf) 1 lb (454 g) meat					
Recipe: Bake		350°F (175°C)			45-50
Manual Steam	Off	350°F (175°C)	Off	60	40 or 160°F (71°C) internal temperature
Shrimp (26-30 ct)	On	250°F (120°C)	Off	100	3-4

Auto Steam Meats and Poultry Roasting Chart

- Place meat or poultry on the convection roasting rack set on top of the broiler pan.
- Insert a meat thermometer or use the temperature probe provided with the oven.
- For best cooking results, start with meat or poultry at refrigerated temperature and roast on rack position 1 or 2.
- Start in an unheated oven.
- Roast at the oven temperature recommended for the time given or until the thermometer or temperature probe reaches the specified temperature for doneness.
- Cover with foil and let stand for 10 to 20 minutes before carving.
- The temperature will rise during standing time.
- For best cooking results, place small poultry items into the oven legs first.


FOOD	OVEN TEMPERATURE	BROWNING	COOKING TIME (in hours and minutes)	MINUTES PER 1 LB (454 g)	INTERNAL TEMPERATURE
Beef					
Semi-Boneless Standing Beef Rib Roast (4-5 lbs [1.8-2.3 kg])					
Auto Steam Meats					
medium-rare	325°F (160°C)	Medium	1:39-2:08	24-26	130°F (54°C)
medium	325°F (160°C)	Medium	1:50-2:22	27-28	145°F (63°C)
Beef Rib Eye Roast, boneless (4-4½ lbs [1.8-2 kg])					
Auto Steam Meats					
medium-rare	325°F (160°C)	Medium	1:33-1:56	22-26	130°F (54°C)
medium	325°F (160°C)	Medium	1:47-2:10	24-29	145°F (63°C)
Beef Sirloin Roast, boneless (4-5 lbs [1.8-2.3 kg])					
Auto Steam Meats					
medium-rare	325°F (160°C)	High	1:22-1:42	19-21	130°F (54°C)
medium	325°F (160°C)	High	1:35-1:56	22-24	145°F (63°C)

FOOD	OVEN TEMPERATURE	BROWNING	COOKING TIME (in hours and minutes)	MINUTES PER 1 LB (454 g)	INTERNAL TEMPERATURE
Pork					
Pork Top Loin Roast, single loin (boneless 2-2½ lbs [1-1.1 kg])					
Auto Steam Meats	325°F (160°C)	High	0:44-0:57	22-25	145°F (63°C)
Pork Top Loin Roast, double loin, tied (boneless 3-4 lbs [1.4-1.8 kg])					
Auto Steam Meats	325°F (160°C)	High	1:15-1:42	19-29	145°F (63°C)
Pork Loin Center Rib Roast (3-4 lbs [1.4-1.8 kg])					
Auto Steam Meats	325°F (160°C)	Medium	1:13-1:40	24-25	145°F (63°C)
Pork Tenderloin (1 lb [454 g])					
Auto Steam Meats	425°F (220°C)	High	0:28-0:31	28-31	145°F (63°C)
Ham, fully cooked shank (9½-10 lbs [4.3-4.5 kg])					
Auto Steam Meats	300°F (150°C)	Low	2:20-2:29	14-15	130°F (54°C)
Lamb					
Leg of Lamb (6-7 lbs [2.7-3.1 kg])					
Auto Steam Meats	325°F (165°C)	Medium	1:30-1:46	15-18	130°F (54°C)
Lamb Loin Roast (1½-1¾ lbs [0.7-0.8 kg])					
Auto Steam Meats	400°F (200°C)	Medium	0:31-0:50	19-29	130°F (54°C)
Chicken					
Chicken, broiler-fryer (3½-4½ lbs [1.6-2 kg])					
Auto Steam Poultry	350°F (175°C)	High or Medium	0:42-0:49	11-13	165°F (74°C)
Chicken, roasting (4-5 lbs [1.8-2.3 kg])					
Auto Steam Poultry	350°F (175°C)	High or Medium	0:49-0:52	10-12	165°F (74°C)
Chicken, roasting (6-6½ lbs [2.7-2.9 kg])					
Auto Steam Poultry	350°F (175°C)	High or Medium	1:04-1:15	11-12	165°F (74°C)
Turkey					
Turkey (10-12 lbs [4.5-5.4 kg])					
Auto Steam Poultry	325°F (165°C)	Medium	0:59-1:33	6-8	165°F (74°C)
Turkey (14-17 lbs [6.4-7.7 kg])					
Auto Steam Poultry	325°F (165°C)	Medium	1:15-1:45	5-6	165°F (74°C)
Turkey (20-22 lbs [9-10 kg])					
Auto Steam Poultry	300°F (150°C)	Medium	2:00-2:12	6-7	165°F (74°C)
Turkey Breast, whole (7½-9 lbs [3.4-4.1 kg])					
Auto Steam Poultry	325°F (165°C)	Medium	1:15-1:40	9-11	165°F (74°C)
Duck					
Duck (5-6 lbs [2.3-2.7 kg])					
Auto Steam Poultry	350°F (175°C)	Medium	1:07-1:12	11-13	165°F (74°C)
Cornish Hens					
Cornish Hens (22 oz [624 g])					
Auto Steam Poultry	350°F (175°C)	High or Medium	0:37-0:38	26-27	165°F (74°C)

RANGE CARE

Self-Cleaning Cycle

⚠ WARNING



Burn Hazard

Do not touch the oven during the Self-Cleaning cycle.

Keep children away from oven during Self-Cleaning cycle.

Failure to follow these instructions can result in burns.

IMPORTANT: The health of some birds is extremely sensitive to the fumes given off during the Self-Cleaning cycle. Exposure to the fumes may result in death to certain birds. Always move birds to another closed and well-ventilated room.

Self-clean the oven before it becomes heavily soiled. Heavy soil results in longer cleaning and more smoke.

Keep the kitchen well-ventilated during the Self-Cleaning cycle to help get rid of heat, odors, and smoke.

Do not block the oven vent(s) during the Self-Cleaning cycle. Air must be able to move freely. Depending on your model, see "Oven Vent" or "Oven Vents" section.

Do not clean, rub, damage or move the oven door gasket. The door gasket is essential for a good seal.

Prepare Oven:

- Remove the broiler pan, grid, cookware and bakeware and, on some models, the temperature probe from the oven.
- Remove oven racks to keep them shiny and easy to slide. See "General Cleaning" section for more information.
- Remove any foil from the oven because it may burn or melt, damaging the oven.
- Hand clean inside door edge and the 1½" (3.8 cm) area around the inside oven cavity frame, being certain not to move or bend the gasket. This area does not get hot enough during self-cleaning to remove soil. Do not let water, cleaner, etc. enter slots on door frame. Use a damp cloth to clean this area.
- Wipe out any loose soil to reduce smoke and avoid damage. At high temperatures, foods react with porcelain. Staining, etching, pitting or faint white spots can result. This will not affect cooking performance.

How the Cycle Works

IMPORTANT: The heating and cooling of porcelain on steel in the oven may result in discoloring, loss of gloss, hairline cracks and popping sounds.

The Self-Cleaning cycle uses very high temperatures, burning soil to a powdery ash.

The oven is preset for a 4 hour clean cycle; however the time can be changed. Suggested clean times are 3 hours 30 minutes for light soil and between 4 hours and 4 hours 30 minutes for average to heavy soil.

Use the following chart as a guide to determine the desired cleaning level.

CLEANING LEVEL	TOTAL CLEANING TIME (includes a 30 minute cool down time)
1 (Quick)	3 hours 30 minutes
2	3 hours 45 minutes
3 (Regular)	4 hours
4	4 hours 15 minutes
5 (Maxi)	4 hours 30 minutes

Once the oven has completely cooled, remove ash with a damp cloth. If soil remains after wiping, that means the length of the clean cycle was not long enough for the amount of soil in the oven. Repeat the self-clean cycle if desired, or the soil will be removed during the next clean cycle. To avoid breaking the glass, do not apply a cool damp cloth to the inner door glass before it has completely cooled.

The oven lights will not work during the Self-Cleaning cycle.

On 48" (121.9 cm) ranges, only one oven can self-clean at a time. If one oven is self-cleaning, the other oven cannot be set or turned on.

NOTE: The oven has a 2 speed cooling fan motor. During self-cleaning the fan(s) will operate at its highest speed to increase airflow to better exhaust the hotter air through the oven vent(s). An increase of noise may be noticeable during and after the self-cleaning cycle until the oven cools.

To Self-Clean:

Before self-cleaning, make sure the door is closed completely or it will not lock and the cycle will not begin.

1. From the Main menu, touch MORE.
2. Touch SELF CLEAN.
3. Touch + or - to increase or decrease the clean time to the desired level.
4. Touch TIPS to receive instructions on preparing your oven for self-clean. Touch OK to return to the Self-Clean menu.
5. Once the self-clean setup function is complete, the Start key will light up.
6. When settings are correct, touch START.
7. When the end of the self-clean time is reached, the oven will shut off automatically and the Complete message will be displayed. If enabled, end-of-cycle tones will sound, then reminder tones will sound every minute. Touch OK to clear this message, stop reminder tones and return to the Main Menu.

To Delay Start Self-Clean:

1. From the Main menu, touch MORE.
2. Touch SELF CLEAN.
3. Touch + or - to increase or decrease the clean time to the desired level.
4. Touch TIPS to receive instructions on preparing your oven for self-clean. Touch OK to return to the Self-Clean menu.
5. Touch OFF DELAY.
6. Use the + or - to increase or decrease the delay time or use the numerical keys to enter the desired amount of time. Touch OK.

7. Once the self-clean setup function is complete, the Start key will light up.
8. When settings are correct, touch START.
9. Once the Start key is touched, the Delayed Self-Clean will be displayed showing the settings. A countdown timer will be displayed in the lower left hand portion of the display showing the time remaining until self-cleaning begins.
10. When the start time is reached, the oven will automatically turn on. The countdown timer will appear on the oven display. If the door is opened before the self-clean cycle begins, the self-clean cycle will be canceled and a message will appear. Touch OK to return to the Main Menu.
11. When the end of the self-clean time is reached, the oven will shut off automatically and the Complete message will be displayed. If enabled, end-of-cycle tones will sound, then reminder tones will sound every minute. Touch OK to clear this message, stop reminder tones and return to the Main Menu

Once the self-clean cycle starts, the door will automatically lock and "DOOR LOCKED" will appear on the display.

The door will not unlock until the oven cools and the Complete message appears.

To Stop Self-Clean anytime:

Touch OFF. If the oven temperature is too high, the door will remain locked. It will not unlock until the oven cools.

Water Filter Cartridge Replacement

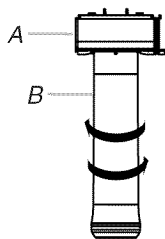
Water filter cartridge should be replaced when "REPLACE FILTER" appears in the control panel display, or after 1 year of use.

For further information or to order a replacement water filter cartridge, visit www.whirlpool.com or call 1-866-986-3223. Ask for Part Number 8212695.

To Replace Water Filter:

Turn filter cartridge to the left to remove cartridge from the filter head.

Install new cartridge. Turn cartridge to the right to reattach to the filter head.



A. Filter head
B. Filter cartridge

If you need Assistance or Service:

Please reference the "Assistance or Service" section.

General Cleaning

IMPORTANT: Before cleaning, make sure all controls are off and the oven is cool. Always follow label instructions on cleaning products.

Soap, water and a soft cloth or sponge are suggested first unless otherwise noted.

STAINLESS STEEL (on some models)

To avoid damage to stainless steel surfaces, do not use soap-filled scouring pads, abrasive cleaners, Cooktop Cleaner, steel-wool pads, gritty washcloths or abrasive paper towels.

Cleaning Method:

Rub in direction of grain to avoid damaging.

- KitchenAid® Stainless Steel Cleaner and Polish Part Number 4396920 (not included) or KitchenAid® Stainless Steel Wipes Part Number 8212510 (not included):

See "Assistance or Service" section to order.

- Liquid detergent or all-purpose cleaner:
Rinse with clean water and dry with soft, lint-free cloth.

PORCELAIN-COATED GRATES AND CAPS

Food spills containing acids, such as vinegar and tomato, should be cleaned as soon as the cooktop, grates and caps are cool. These spills may affect the finish.

To avoid chipping, do not bang grates and caps against each other or hard surfaces such as cast iron cookware.

Do not reassemble caps on burners while wet.

Do not clean in the Self-Cleaning cycle.

Do not clean in dishwasher.

Cleaning Method:

- Nonabrasive plastic scrubbing pad and mildly abrasive cleanser:

Clean as soon as cooktop, grates and caps are cool.

SURFACE BURNERS

Sealed Burner models

See "Sealed Surface Burners" section.

COOKTOP CONTROLS

To avoid damage to the cooktop controls, do not use steel wool, abrasive cleansers or oven cleaner.

To avoid damage, do not soak knobs.

When replacing knobs, make sure knobs are in the Off position.

Do not remove seals under knobs.

NOTE: When replacing knobs after cleaning either the surface burner controls or the griddle module control, make sure the knobs are replaced to the correct location. The 20,000 Btu/h burner knobs have power settings and the griddle knob has temperature settings. All other knobs have Hi, Med, Lo settings only.

Cleaning Method:

- Warm, soapy water:

Pull knobs straight away from control panel to remove.

OVEN DOOR EXTERIOR

Cleaning Method:

- Glass cleaner and a soft cloth or sponge:
Apply glass cleaner to soft cloth or sponge, not directly on panel.
- All-Purpose Appliance Cleaner Part Number 31682 (not included):
See “Assistance or Service” section to order.

OVEN DOOR INTERIOR

Cleaning Method:

- Self-Cleaning cycle:
For optimal door cleaning result, wipe away any deposits with a damp sponge before running cycle.

CONTROL PANEL

Activate the Control Lock to avoid touch screen activation during cleaning. See “Control Lock” section.

To avoid damage to the control panel, do not use abrasive cleaners, steel-wool pads, gritty washcloths or abrasive paper towels.

Cleaning Method:

- Glass cleaner and soft cloth or sponge:
Apply glass cleaner to soft cloth or sponge, not directly on panel.
- All-Purpose Appliance Cleaner Part Number 31682 (not included):
See “Assistance or Service” section to order.

OVEN CAVITY

Do not use oven cleaners.

Food spills should be cleaned when oven cools. At high temperatures, foods react with porcelain and staining, etching, pitting or faint white spots can result.

Cleaning Method:

- Self-Cleaning cycle: See “Self-Cleaning Cycle” first.

OVEN RACKS

Cleaning Method:

- Self-Cleaning cycle:
See “Self-Cleaning Cycle” first. Remove racks or they will discolor and become harder to slide. If this happens, a light coating of vegetable oil applied to the rack guides will help them slide.
- Steel-wool pad

GRIDDLE MODULE

Clean the griddle shortly after removing food and the griddle has cooled down.

Cleaning Method:

- Hot, soapy water and/or nylon scrub pad
- After cleaning dry surface with a paper towel

Drip Tray and Area Under Tray

Allow cooktop to cool completely before cleaning.

Cleaning Method:

- Warm, soapy water or nonabrasive cleanser.
- Damp cloth or nonabrasive pad.
- Dry completely before placing drip tray in position.

Oven Lights

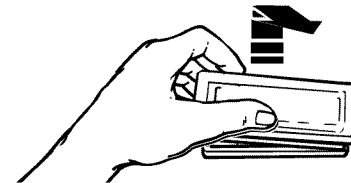
The oven lights are 120-volt, 25-watt maximum halogen bulbs. They will come on when the oven door is opened.

On 48" (121.9 cm) ranges, both the left and right oven lights will come on when either door is opened. The oven lights will not work during the Self-Cleaning cycle. When the oven door is closed, touch OVEN LIGHT to turn light on or off.

To Replace:

Before replacing the bulb, make sure the oven is off and cool.

1. Disconnect power.
2. Remove glass light cover by grasping the front edge and pulling away from oven.



3. Remove bulb from socket.
4. Replace bulb, using tissue or wearing cotton gloves to handle bulb. To avoid damage or decreasing the life of the new bulb, do not touch bulb with bare fingers.
5. Replace bulb cover by snapping back into wall.
6. Reconnect power.

Oven Door

⚠ WARNING

Excessive Weight Hazard

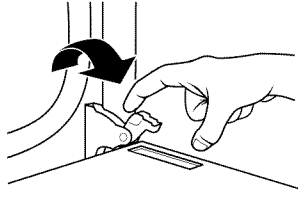
Use two or more people to move and install oven doors.

Failure to do so can result in back or other injury.

For normal range use, it is not suggested to remove the oven door. However, if removal is necessary, make sure the oven is off and cool. Then, follow these instructions. The oven door is heavy.

To Remove:

1. Open oven door all the way.
2. Flip up the hinge latch on each side.



3. Close the oven door as far as it will shut.
4. Using 2 or more people, lift the oven door while holding both sides.

Continue to push the oven door closed and pull it away from the oven door frame.



To Replace:

1. Using 2 or more people, lift the oven door and insert both hanger arms into the door.



2. Open the oven door.
You should hear a “click” as the door is set into place.
3. Move the hinge levers back to the locked position. Check that the door is free to open and close. If it is not, repeat the removal and installation procedures.

TROUBLESHOOTING

Try the solutions suggested here first in order to avoid the cost of an unnecessary service call.

Nothing will operate

- **Has a household fuse blown, or has a circuit breaker tripped?**
Replace the fuse or reset the circuit breaker. If the problem continues, call an electrician.

Surface burners will not operate

- **Is this the first time the surface burners have been used?**
Turn on any one of the surface burner knobs to release air from the gas lines.
- **Is the control knob set correctly?**
Push in knob before turning to a setting.
- **Are the burner ports clogged?**
On sealed burner models, see “Sealed Surface Burners” section.

Surface burner flames are uneven, yellow and/or noisy

- **Are the burner ports clogged?**
On sealed burner models, see “Sealed Surface Burners” section.
- **On models with caps, are the burner caps positioned properly?**
See “Sealed Surface Burners” section.
- **Is propane gas being used?**
The range may have been converted improperly. Contact a trained repair specialist.

Surface burner makes popping noises

- **Is the burner wet?**
Let it dry.

Burner sparks but does not light

- **Is there continuous sparking, but the burner does not light?**
Discontinue use of the surface burner and contact a service technician.

Excessive heat around cookware on cooktop

- **Is the cookware the proper size?**
Use cookware about the same size as the surface cooking area, element or surface burner. Cookware should not extend more than ½" (1.3 cm) outside the cooking area.

Cooktop cooking results not what expected

- **Is the proper cookware being used?**
See “Cookware” section.
- **Is the control knob set to the proper heat level?**
See “Cooktop Controls” section.
- **Is the range level?**
The range must be level for the griddle to operate properly. See the Installation Instructions for leveling instructions.

Oven will not operate

- **Is the electronic oven control set correctly?**
See “Electronic Oven Control” section.
- **Has a delay start been set?**
See “Timed/Delay Cooking” section.
- **Is the Control Lock set?**
See “Control Lock” section.
- **Is the Sabbath Mode set?**
See “Sabbath Mode” section.

Oven temperature too high or too low

- **Does the oven temperature calibration need adjustment?**
See “Calibration (Oven Temperature Control)” section.

Display shows messages

- **Is the display showing a letter followed by a number?**
Clear the display. See “Display(s)” section. If a letter followed by a number reappears, call for service. See “Assistance or Service” section.

Steam cycle will not operate

- **Is the water supply connected to the oven?**
See the Installation Instructions supplied with this oven.
- **Does the filter need to be replaced?**
The oven will shut off the steam functions until the filter is replaced. See “Water Filter/Filtration System” section.

Self-Cleaning cycle will not operate

- **Is the oven door open?**
Close the oven door all the way.
- **Has the function been entered?**
See “Self-Cleaning Cycle” section.
- **On some models, has a delay start Self-Clean cycle been set?**
See “Self-Cleaning Cycle” section.
- **Has a delay start been set?**
See “Timed/Delay Cooking” section.

- **On 48" (121.9 cm) ranges, is one oven self-cleaning?**
When one oven is self-cleaning, the other oven cannot be set to self-clean.

Oven cooking results not what expected

- **Is the proper temperature set?**
Double-check the recipe in a reliable cookbook.
- **Is the proper oven temperature calibration set?**
See “Calibration (Oven Temperature Control)” section.
- **Was the oven preheated?**
See “Baking and Roasting” section.
- **Is the proper bakeware being used?**
See “Bakeware” section.
- **Are the racks positioned properly?**
See “Positioning Racks and Bakeware” section.
- **Is there proper air circulation around bakeware?**
See “Positioning Racks and Bakeware” section.
- **Is the batter evenly distributed in the pan?**
Check that batter is level in the pan.
- **Is the proper length of time being used?**
Adjust cooking time.
- **Has the oven door been opened while cooking?**
Oven peeking releases oven heat and can result in longer cooking times.
- **Are baked items too brown on the bottom?**
Move rack to higher position in the oven.
- **Are pie crust edges browning early?**
Use aluminum foil to cover the edge of the crust and/or reduce baking temperature.

ASSISTANCE OR SERVICE

Before calling for assistance or service, please check “Troubleshooting.” It may save you the cost of a service call. If you still need help, follow the instructions below.

When calling, please know the purchase date and the complete model and serial number of your appliance. This information will help us to better respond to your request.

If you need replacement parts

If you need to order replacement parts, we recommend that you use only factory specified parts. These factory specified parts will fit right and work right because they are made with the same precision used to build every new KITCHENAID® appliance.

To locate factory specified parts in your area, call us or your nearest KitchenAid designated service center.

In the U.S.A.

Call the KitchenAid Customer eXperience Center toll free:
1-800-422-1230.

Our consultants provide assistance with:

- Features and specifications on our full line of appliances.
- Installation information.
- Use and maintenance procedures.
- Accessory and repair parts sales.
- Specialized customer assistance (Spanish speaking, hearing impaired, limited vision, etc.).
- Referrals to local dealers, repair parts distributors and service companies. KitchenAid designated service technicians are trained to fulfill the product warranty and provide after-warranty service, anywhere in the United States.

To locate the KitchenAid designated service company in your area, you can also look in your telephone directory Yellow Pages.

For further assistance

If you need further assistance, you can write to KitchenAid with any questions or concerns at:

KitchenAid Brand Home Appliances
Customer eXperience Center
553 Benson Road
Benton Harbor, MI 49022-2692

Please include a daytime phone number in your correspondence.

Accessories

Accessories U.S.A.

To order accessories, call the KitchenAid Customer eXperience Center toll free at **1-800-442-9991** and follow the menu prompts. Or visit our website at www.kitchenaid.com and click on "Shopping Options." Go to "Replacement Parts & Accessories" and click on "applianceaccessories.com." Portable appliances, bakeware, cookware, gadgets and textiles are also available.

KitchenAid® Stainless Steel Cleaner and Polish

Order Part Number 4396920

KitchenAid® Stainless Steel Wipes

Order Part Number 8212510

Cooktop Cleaner

Order Part Number 31464

Cooktop Protectant

Order Part Number 31463

Gas Grate/Drip Pan Cleaner

Order Part Number 31617

All-Purpose Appliance Cleaner

Order Part Number 31682

Griddle

Order Part Number W10190534

Grill and Griddle Cover

Order Part Number W10160195

Wok Ring

Order Part Number W10216179

KitchenAid® Premium Broil Pan and Roasting Rack

Order Part Number W10123240

SatinGlide™ Roll-Out Extension Rack

30" (76.2 cm): Order Part Number W10208155

36" (91.4 cm): Order Part Number W10212435

High-Altitude Kit for Natural Gas

(for use in elevations higher than 6,500 ft [1981.2 m])

Order Part Number W10160841

High-Altitude Kit for LP Gas

(for use in elevations higher than 6,500 ft [1981.2 m])

Order Part Number W10237848

KitchenAid® Replacement Water Filter

Order Part Number W10049700

Stainless Steel Knobs - 6 Burner/1 Grill/1 Griddle

Order Part Number W10231704

Stainless Steel Knobs - 4 Burner/1 Grill/1 Griddle

Order Part Number W10231703

Stainless Steel Knobs - 4 Burner

Order Part Number W10231702

19¹/₁₆" (50.0 cm) to 39" (99.0 cm) Adjustable Backguard for 30" (76.2 cm) Ranges

Order Part Number 8285148

19¹/₁₆" (50.0 cm) to 39" (99.0 cm) Adjustable Backguard for 36" (91.4 cm) Ranges

Order Part Number 8284756

19¹/₁₆" (50.0 cm) to 39" (99.0 cm) Adjustable Backguard for 48" (121.9 cm) Ranges

Order Part Number 8284755

9" (22.9 cm) Backguard for 30" (76.2 cm) Ranges

Order Part Number W10115773

9" (22.9 cm) Backguard for 36" (91.4 cm) Ranges

Order Part Number W10115776

9" (22.9 cm) Backguard for 48" (121.9 cm) Ranges

Order Part Number W10115777

22" (55.9 cm) Backguard with Shelf for 30" (76.2 cm) Ranges and Cooktops

Order Part Number W10225950

22" (55.9 cm) Backguard with Shelf for 36" (91.4 cm) Ranges and Cooktops

Order Part Number W10225949

22" (55.9 cm) Backguard with Shelf for 48" (121.9 cm) Ranges and Cooktops

Order Part Number W10225948

KitchenAid® Architect® II 30" (76.2 cm) Handle Kit

Order Part Number W10188342

KitchenAid® Architect® II 36" (91.4 cm) Handle Kit

Order Part Number W10188341

KitchenAid® Architect® II 48" (121.9 cm) Handle Kit

Order Part Number W1088343

In Canada

Call the KitchenAid Canada Customer eXperience Centre toll free: **1-800-807-6777**.

Our consultants provide assistance with:

- Features and specifications on our full line of appliances.
- Use and maintenance procedures.
- Accessory and repair parts sales.
- Referrals to local dealers, repair parts distributors and service companies. KitchenAid Canada designated service technicians are trained to fulfill the product warranty and provide after-warranty service, anywhere in Canada.

For further assistance

If you need further assistance, you can write to KitchenAid Canada with any questions or concerns at:

Customer eXperience Centre
KitchenAid Canada
1901 Minnesota Court
Mississauga, Ontario L5N 3A7

Please include a daytime phone number in your correspondence.

KITCHENAID® DUAL FUEL RANGE WARRANTY

LIMITED WARRANTY

For one year from the date of purchase, when this major appliance is operated and maintained according to instructions attached to or furnished with the product, KitchenAid brand of Whirlpool Corporation or Whirlpool Canada LP (hereafter "KitchenAid") will pay for Factory Specified Parts and repair labor to correct defects in materials or workmanship. Service must be provided by a KitchenAid designated service company. This limited warranty is valid only in the United States or Canada and applies only when the major appliance is used in the country in which it was purchased. Outside the 50 United States and Canada, this limited warranty does not apply. Proof of original purchase date is required to obtain service under this limited warranty.

SECOND THROUGH FIFTH YEAR LIMITED WARRANTY ON CERTAIN COMPONENT PARTS

In the second through fifth years from the date of purchase, when this appliance is operated and maintained according to instructions attached to or furnished with the product, KitchenAid will pay for Factory Specified Parts for the following components if defective in materials or workmanship:

- Electric element
 - Solid state touch control system parts
 - Gas burners
-

SECOND THROUGH TENTH YEAR LIMITED WARRANTY ON STEAM-ASSIST OVEN CAVITY AND DOORS

In the second through tenth years from date of purchase, when this major appliance is operated and maintained according to instructions attached to or furnished with the product, KitchenAid will pay for Factory Specified Parts for the porcelain oven cavity/inner door if the part rusts through due to defects in materials or workmanship.

ITEMS EXCLUDED FROM WARRANTY

This limited warranty does not cover:

1. Service calls to correct the installation of your major appliance, to instruct you on how to use your major appliance, to replace or repair house fuses, or to correct house wiring or plumbing.
2. Service calls to repair or replace appliance light bulbs, air filters or water filters. Consumable parts are excluded from warranty coverage.
3. Repairs when your major appliance is used for other than normal, single-family household use or when it is used in a manner that is contrary to published user or operator instructions and/or installation instructions.
4. Damage resulting from accident, alteration, misuse, abuse, fire, flood, acts of God, improper installation, installation not in accordance with electrical or plumbing codes, or use of consumables or cleaning products not approved by KitchenAid.
5. Cosmetic damage, including scratches, dents, chips or other damage to the finish of your major appliance, unless such damage results from defects in materials or workmanship and is reported to KitchenAid within 30 days from the date of purchase.
6. Costs associated with the removal from your home of your major appliance for repairs. This major appliance is designed to be repaired in the home and only in-home service is covered by this warranty.
7. Repairs to parts or systems resulting from unauthorized modifications made to the appliance.
8. Expenses for travel and transportation for product service if your major appliance is located in a remote area where service by an authorized KitchenAid servicer is not available.
9. The removal and reinstallation of your major appliance if it is installed in an inaccessible location or is not installed in accordance with published installation instructions.
10. Major appliances with original model/serial numbers that have been removed, altered or cannot be easily determined. This warranty is void if the factory applied serial number has been altered or removed from your major appliance.

The cost of repair or replacement under these excluded circumstances shall be borne by the customer.

DISCLAIMER OF IMPLIED WARRANTIES; LIMITATION OF REMEDIES

CUSTOMER'S SOLE AND EXCLUSIVE REMEDY UNDER THIS LIMITED WARRANTY SHALL BE PRODUCT REPAIR AS PROVIDED HEREIN. IMPLIED WARRANTIES, INCLUDING WARRANTIES OF MERCHANTABILITY OR FITNESS FOR A PARTICULAR PURPOSE, ARE LIMITED TO ONE YEAR OR THE SHORTEST PERIOD ALLOWED BY LAW. KITCHENAID SHALL NOT BE LIABLE FOR INCIDENTAL OR CONSEQUENTIAL DAMAGES. SOME STATES AND PROVINCES DO NOT ALLOW THE EXCLUSION OR LIMITATION OF INCIDENTAL OR CONSEQUENTIAL DAMAGES, OR LIMITATIONS ON THE DURATION OF IMPLIED WARRANTIES OF MERCHANTABILITY OR FITNESS, SO THESE EXCLUSIONS OR LIMITATIONS MAY NOT APPLY TO YOU. THIS WARRANTY GIVES YOU SPECIFIC LEGAL RIGHTS, AND YOU MAY ALSO HAVE OTHER RIGHTS WHICH VARY FROM STATE TO STATE OR PROVINCE TO PROVINCE.

If outside the 50 United States and Canada, contact your authorized KitchenAid dealer to determine if another warranty applies.

If you need service, first see the "Troubleshooting" section of the Use & Care Guide. After checking "Troubleshooting," you may find additional help by checking the "Assistance or Service" section or by calling KitchenAid. In the U.S.A., call **1-800-422-1230**. In Canada, call **1-800-807-6777**.

9/07

Keep this book and your sales slip together for future reference. You must provide proof of purchase or installation date for in-warranty service.

Write down the following information about your major appliance to better help you obtain assistance or service if you ever need it. You will need to know your complete model number and serial number. You can find this information on the model and serial number label located on the product.

Dealer name _____

Address _____

Phone number _____

Model number _____

Serial number _____

Purchase date _____

Notes

SÉCURITÉ DE LA CUISINIÈRE

Votre sécurité et celle des autres est très importante.

Nous donnons de nombreux messages de sécurité importants dans ce manuel et sur votre appareil ménager. Assurez-vous de toujours lire tous les messages de sécurité et de vous y conformer.



Voici le symbole d'alerte de sécurité.

Ce symbole d'alerte de sécurité vous signale les dangers potentiels de décès et de blessures graves à vous et à d'autres.

Tous les messages de sécurité suivront le symbole d'alerte de sécurité et le mot "DANGER" ou "AVERTISSEMENT". Ces mots signifient :

⚠ DANGER

Risque possible de décès ou de blessure grave si vous ne suivez pas immédiatement les instructions.

⚠ AVERTISSEMENT

Risque possible de décès ou de blessure grave si vous ne suivez pas les instructions.

Tous les messages de sécurité vous diront quel est le danger potentiel et vous disent comment réduire le risque de blessure et ce qui peut se produire en cas de non-respect des instructions.

AVERTISSEMENT : Si les renseignements dans ce manuel ne sont pas exactement observés, un incendie ou une explosion peut survenir, causant des dommages au produit, des blessures ou un décès.

- Ne pas entreposer ni utiliser de l'essence ou d'autres vapeurs ou liquides inflammables à proximité de cet appareil ou de tout autre appareil électroménager.
- QUE FAIRE DANS LE CAS D'UNE ODEUR DE GAZ :
 - Ne pas tenter d'allumer un appareil.
 - Ne pas toucher à un commutateur électrique.
 - Ne pas utiliser le téléphone se trouvant sur les lieux.
 - Appeler immédiatement le fournisseur de gaz à partir du téléphone d'un voisin. Suivre ses instructions.
 - À défaut de joindre votre fournisseur de gaz, appeler les pompiers.
- L'installation et l'entretien doivent être effectués par un installateur qualifié, une agence de service ou le fournisseur de gaz.

AVERTISSEMENT : L'odorat ne permet pas toujours la détection d'une fuite de gaz.

Les distributeurs de gaz recommandent l'emploi d'un détecteur de gaz (homologation UL ou CSA).

Pour d'autre information, contacter le fournisseur de gaz local.

En cas de détection d'une fuite de gaz, exécuter les instructions "Que faire dans le cas d'une odeur de gaz".

Avertissements de la proposition 65 de l'État de Californie :

AVERTISSEMENT : Ce produit contient un produit chimique connu par l'État de Californie pour être à l'origine de cancers.

AVERTISSEMENT : Ce produit contient un produit chimique connu par l'État de Californie pour être à l'origine de malformations et autres déficiences de naissance.

La bride antibasculement

Dans les conditions de service normales, la cuisinière ne bascule pas. Elle peut cependant basculer si une force ou un poids excessif est appliqué sur la porte ouverte alors que la bride antibasculement n'est pas convenablement fixée.



! AVERTISSEMENT

Risque de basculement

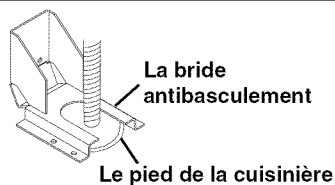
Un enfant ou une personne adulte peut faire basculer la cuisinière ce qui peut causer un décès.

Joindre la bride antibasculement au pied arrière de la cuisinière.

Joindre de nouveau la bride antibasculement si la cuisinière est déplacée.

Voir détails dans les instructions d'installation.

Le non-respect de ces instructions peut causer un décès ou des brûlures graves aux enfants et aux adultes.



Assurez-vous qu'une bride antibasculement est installée :

- **Glisser la cuisinière vers l'avant.**
- **Vérifier que la bride antibasculement est bien fixée au plancher ou au mur.**
- **Glisser de nouveau la cuisinière vers l'arrière de sorte que le pied est sous la bride antibasculement.**

IMPORTANTES INSTRUCTIONS DE SÉCURITÉ

AVERTISSEMENT : Pour réduire le risque d'incendie, de choc électrique, de blessures ou de dommages lors de l'utilisation de la cuisinière, il convient d'observer certaines précautions élémentaires dont les suivantes :

■ **AVERTISSEMENT :** POUR MINIMISER LE RISQUE DE BASCULEMENT DE LA CUISINIÈRE, ELLE DOIT ÊTRE BIEN IMMOBILISÉE PAR DES DISPOSITIFS ANTIBASCULEMENT CORRECTEMENT INSTALLÉS. POUR VÉRIFIER SI LES DISPOSITIFS SONT CORRECTEMENT INSTALLÉS, GLISSER LA CUISINIÈRE VERS L'AVANT ET VÉRIFIER SI LA BRIDE ANTIBASCULEMENT EST BIEN FIXÉE AU PLANCHER OU AU MUR, ET GLISSER LA CUISINIÈRE VERS L'ARRIÈRE POUR QUE LE PIED ARRIÈRE DE LA CUISINIÈRE SOIT SOUS LA BRIDE ANTIBASCULEMENT.

■ **AVERTISSEMENT :** POUR RÉDUIRE LE RISQUE DE BRÛLURE, NE PAS DÉPLACER LA CUISINIÈRE LORSQU'ELLE EST CHAUDE. CETTE CUISINIÈRE COMPORTE DES ROULETTES POUR EN FACILITER LE DÉPLACEMENT. POUR RÉDUIRE LE RISQUE DE BLESSURE LIÉ AU BASCULEMENT DE L'APPAREIL, VÉRIFIER LA QUALITÉ DE LA RÉINSTALLATION DE LA CUISINIÈRE DANS LE DISPOSITIF ANTI-BASCULEMENT FOURNI ET DÉPLOYER LES PIEDS DE NIVELLEMENT APRÈS AVOIR RAMENÉ LA CUISINIÈRE À SA POSITION D'INSTALLATION INITIALE.

■ **AVERTISSEMENT :** NE JAMAIS utiliser cet appareil comme dispositif de chauffage de la pièce. Le non-respect de cette instruction peut entraîner une intoxication au monoxyde de carbone et une surchauffe du four.

■ **AVERTISSEMENT :** NE JAMAIS couvrir les fentes, trous ou passages d'air au fond du four ou couvrir entièrement une grille avec des matériaux tels que du papier d'aluminium. Le non-respect de cette instruction empêche la circulation de l'air dans le four et peut entraîner une intoxication au monoxyde de carbone. Les feuilles de papier d'aluminium peuvent également retenir la chaleur et créer un risque d'incendie.

■ **MISE EN GARDE :** Ne pas remiser dans des armoires au-dessus de la cuisinière ou sur le dossier d'une cuisinière, des objets que des enfants pourraient vouloir atteindre. Les enfants pourraient se brûler ou se blesser en grimant sur la cuisinière.

■ Ne pas laisser les enfants seuls – Les enfants ne doivent pas être laissés seuls ou sans surveillance dans la pièce où la cuisinière est en service. Ne jamais laisser les enfants s'asseoir ou se tenir sur une partie quelconque de la cuisinière.

■ Porter des vêtements appropriés – Des vêtements amples ou détachés ne doivent jamais être portés pendant l'utilisation de la cuisinière.

■ Entretien par l'utilisateur – Ne pas réparer ni remplacer toute pièce de la cuisinière si ce n'est pas spécifiquement recommandé dans le manuel. Toute autre opération d'entretien ou de réparation doit être confiée à un technicien qualifié.

■ Remisage dans ou sur la cuisinière – Des matériaux inflammables ne doivent pas être remisés dans un four ou près des éléments de surface.

■ Ne pas utiliser d'eau pour éteindre un feu de graisse – Éteindre le feu ou les flammes ou utiliser un extincteur à produits chimiques secs, ou un extincteur à mousse.

■ N'utiliser que des mitaines de four sèches – Des mitaines de four mouillées ou humides sur des surfaces chaudes peuvent provoquer des brûlures provenant de la vapeur. Ne pas laisser les mitaines de four toucher les éléments chauffants. Ne pas utiliser une serviette ou un tissu épais.

■ NE PAS TOUCHER LES ÉLÉMENTS DE SURFACE OU L'ESPACE PRÈS DES ÉLÉMENTS – Les éléments de surface peuvent être chauds même lorsqu'ils ont une teinte foncée. Les endroits près des éléments de surface peuvent devenir assez chauds pour causer des brûlures. Pendant et après l'utilisation, ne pas toucher les éléments chauffants et ne pas laisser les vêtements ou autres matériaux inflammables entrer en contact avec ces éléments de surface ou les endroits près des éléments, avant qu'ils aient suffisamment refroidi. Ces endroits comprennent la table de cuisson et les surfaces près de la table de la cuisson.

■ Ne jamais laisser les éléments de la table de cuisson sans surveillance alors qu'ils chauffent à la puissance maximale. Il pourrait en résulter une ébullition qui cause de la fumée et des renversements de corps gras qui peuvent s'enflammer.

■ Ustensiles de cuisson vitrifiés – Seulement certains types d'ustensiles de verre, vitrocéramique, céramique, faïence ou autres surfaces vitrifiées conviennent pour le service sur une table de cuisson, sans bris attribuables aux changements soudains de température.

■ Les poignées des ustensiles doivent être tournées vers l'intérieur et non vers le dessus des éléments adjacents – Pour réduire le risque de brûlures, d'inflammation de produits inflammables et de renversements dus à l'entrechoquement non intentionnel des ustensiles, la poignée d'un ustensile doit être positionnée de sorte qu'elle soit tournée vers l'intérieur et non au-dessus des éléments de surface adjacents.

■ Nettoyer la table de cuisson avec prudence – Si une éponge ou un chiffon mouillé est utilisé pour essuyer les renversements sur une surface de cuisson chaude, éviter les brûlures causées par la vapeur chaude. Certains nettoyants peuvent produire des émanations nocives lorsqu'ils sont utilisés sur une surface chaude.

■ Exercer une grande prudence lors de l'ouverture de la porte – Laisser l'air chaud ou la vapeur s'échapper avant d'enlever ou de replacer un plat.

■ Ne pas faire chauffer des contenants fermés – L'accumulation de pression peut causer une explosion du contenant et des blessures.

CONSERVEZ CES INSTRUCTIONS

IMPORTANTES INSTRUCTIONS DE SÉCURITÉ

- Ne jamais obstruer les ouvertures des événements.
 - Positionnement des grilles du four – Toujours placer les grilles du four à la position désirée pendant que le four est froid. Si la grille doit être déplacée pendant que le four est chaud, ne pas laisser les mitaines de four toucher l'élément chaud du four.
 - **NE PAS TOUCHER LES ÉLÉMENTS CHAUFFANTS OU LES SURFACES INTÉRIEURES DU FOUR** – Les éléments chauffants peuvent être chauds même s'ils ont une teinte foncée. Les surfaces intérieures d'un four deviennent assez chaudes pour causer des brûlures. Pendant et après l'utilisation, ne pas toucher ou laisser des vêtements ou autres matériaux inflammables venir en contact avec les éléments chauds ou les surfaces intérieures chaudes du four avant qu'ils aient eu assez de temps pour refroidir. D'autres surfaces de l'appareil peuvent devenir assez chaudes pour causer des brûlures. Ces surfaces comprennent les ouvertures de l'évent du four et les surfaces près de ces ouvertures, les portes du four, et les hublots des portes du four.
 - Installation correcte – Une fois installée, la cuisinière doit être reliée à la terre conformément aux codes locaux, ou en l'absence de codes locaux, au *National Electrical Code ANSI/NFPA 70*. Au Canada, la cuisinière doit être reliée à la terre conformément au Code canadien des installations électriques. Veiller à ce que l'installation et la mise à la terre de la cuisinière soient correctement réalisées par un électricien qualifié.
 - Déconnecter la source de courant électrique avant d'intervenir sur l'appareil.
 - Des blessures peuvent résulter d'un mauvais usage des portes ou tiroirs de l'appareil – par exemple marcher, s'appuyer ou s'asseoir sur les portes ou tiroirs.
 - Entretien – Maintenir la zone de la cuisinière à l'abri des matériaux combustibles, essence ou autres vapeurs ou liquides inflammables.
 - La taille de la flamme du brûleur supérieur doit être ajustée de façon à ne pas dépasser du bord de l'ustensile de cuisson.
- Pour les cuisinières avec programme d'autonettoyage –**
- Ne pas nettoyer le joint de la porte – Le joint de la porte est essentiel pour l'étanchéité. Veiller à ne pas frotter, endommager ou déplacer le joint.
 - Ne pas utiliser des produits commerciaux de nettoyage du four – On ne doit pas utiliser un produit commercial de nettoyage de four ou un enduit de protection des surfaces internes du four quel qu'en soit le type, sur les surfaces du four ou les surfaces voisines.
 - Nettoyer uniquement les pièces indiquées dans le manuel.
 - Avant d'exécuter le programme d'autonettoyage du four – Ôter la lèchefrite et les autres ustensiles. Essuyer tout excès de renversement avant de commencer un programme de nettoyage.
- Pour les appareils avec hotte de ventilation –**
- Nettoyer les hottes de ventilation fréquemment – La graisse ne doit pas s'accumuler sur la hotte ou le filtre.
 - Lorsque vous flambez des aliments sous la hotte, mettre le ventilateur en marche.

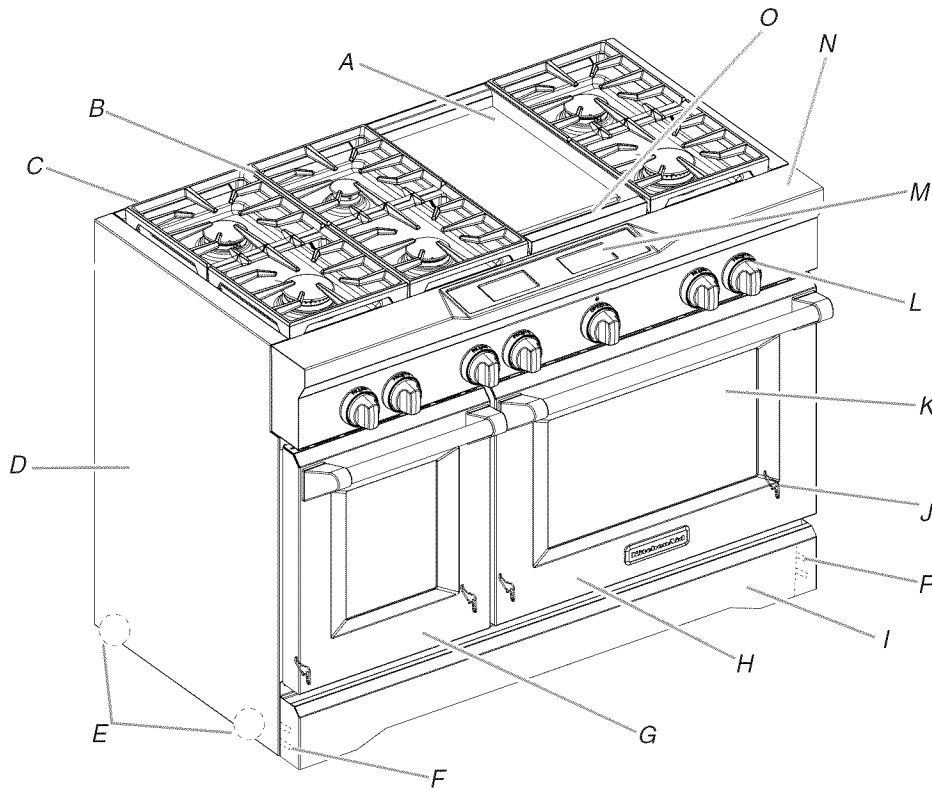
CONSERVEZ CES INSTRUCTIONS

PIÈCES ET CARACTÉRISTIQUES

Ce manuel couvre plusieurs modèles différents. La cuisinière que vous avez achetée peut comporter l'ensemble des articles énumérés ou seulement certains d'entre eux. Les emplacements et aspects des caractéristiques illustrées ci-dessous peuvent ne pas correspondre à ceux de votre modèle.

REMARQUE : Les capacités nominales des brûleurs mentionnées ici correspondent au gaz naturel.

Cuisinière

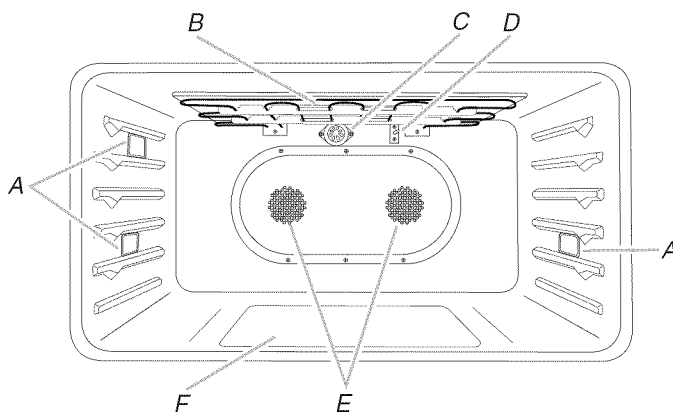


- A. Grille chromée électrique Even-Heat™ (sur certains modèles)
- B. Conception service intense de grille simple
- C. Garniture périphérique
- D. Panneaux en acier inoxydable
- E. Patins à roulettes
- F. Mires de nivellement
- G. Four à convection véritable à injection de vapeur T.H.E.™ de 18" (45,7 cm) [cuisinière de 48" (121,9 cm) uniquement]
- H. Four à convection véritable à double ventilateur avec injection de vapeur
- I. Panneau inférieur amovible
- J. Portes à charnières équilibrées
- K. Grand hublot
- L. Boutons de commande métalliques coulés sous pression de style commercial
- M. Commande tactile en verre à affichage avec menus
- N. Rebord de protection
- O. Plateau d'égouttement

Non illustré :

- Dosserets réglables facultatifs de 9" (22,9 cm) et 22" (55,9 cm)
- Couvercle de plaque à frire facultatif
- Cerclage de wok facultatif
- Lèche-frite et grille de rôtissage facultatives
- Grilles coulissantes robustes avec poignée
- Grille coulissante déployante SatinGlide™ avec poignée
- Boutons en acier inoxydable facultatifs

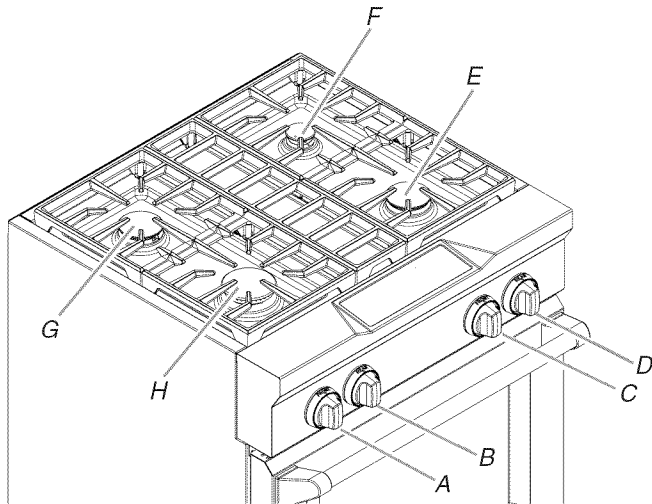
Intérieur du four



- A. Lampes à halogène
- B. Éléments de cuisson au gril avec réflecteur True-Broil™
- C. Orifice d'injection de vapeur
- D. Capteur de la cavité du four
- E. Ventilateur(s) de convection
- F. Élément dissimulé CleanBake™

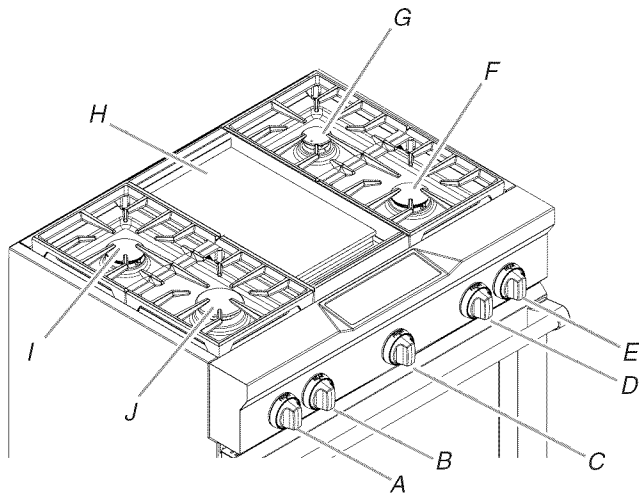
Tableaux de commande

KDRU707



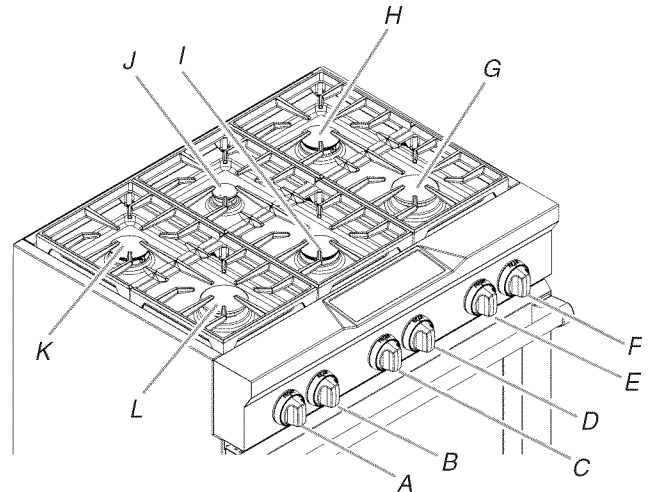
- | | |
|--------------------------------------|----------------------------|
| A. Bouton de commande arrière gauche | E. Brûleur de 15 000 BTU/h |
| B. Bouton de commande avant gauche | F. Brûleur de 5 000 BTU/h |
| C. Bouton de commande arrière droit | G. Brûleur de 15 000 BTU/h |
| D. Bouton de commande avant droit | H. Brûleur de 20 000 BTU/h |

KDRU763



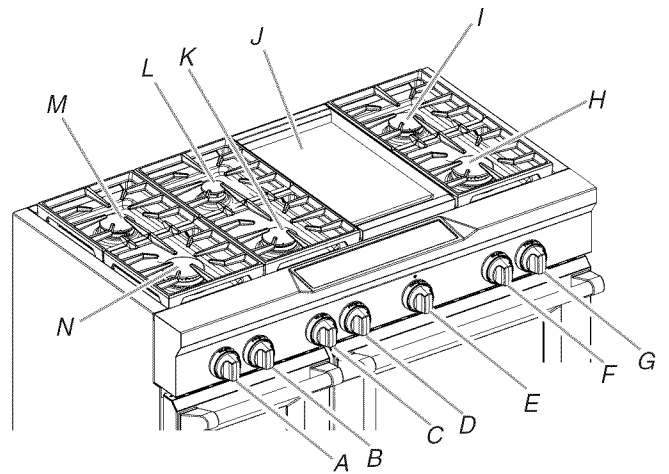
- | | |
|--|---|
| A. Bouton de commande arrière gauche | F. Brûleur de 15 000 BTU/h |
| B. Bouton de commande avant gauche | G. Brûleur de 5 000 BTU/h |
| C. Bouton de commande de la plaque à frire | H. Plaque à frire chromée électrique Even-Heat™ |
| D. Bouton de commande arrière droit | I. Brûleur de 15 000 BTU/h |
| E. Bouton de commande avant droit | J. Brûleur de 20 000 BTU/h |

KDRU767



- | | |
|---------------------------------------|----------------------------|
| A. Bouton de commande arrière gauche | G. Brûleur de 20 000 BTU/h |
| B. Bouton de commande avant gauche | H. Brûleur de 15 000 BTU/h |
| C. Bouton de commande central arrière | I. Brûleur de 15 000 BTU/h |
| D. Bouton de commande central avant | J. Brûleur de 5 000 BTU/h |
| E. Bouton de commande arrière droit | K. Brûleur de 15 000 BTU/h |
| F. Bouton de commande avant droit | L. Brûleur de 20 000 BTU/h |

KDRU783



- | | |
|--|---|
| A. Bouton de commande arrière gauche | H. 20 000 BTU/h |
| B. Bouton de commande avant gauche | I. 15 000 BTU/h |
| C. Bouton de commande central arrière | J. Plaque à frire chromée électrique Even-Heat™ |
| D. Bouton de commande central avant | K. 15 000 BTU/h |
| E. Bouton de commande de la plaque à frire | L. 5 000 BTU/h |
| F. Bouton de commande arrière droit | M. 15 000 BTU/h |
| G. Bouton de commande avant droit | N. 20 000 BTU/h |

UTILISATION DE LA TABLE DE CUISSON

Commandes de la table de cuisson

AVERTISSEMENT



Risque d'incendie

La flamme d'un brûleur ne devrait pas dépasser le bord du récipient de cuisson.

Fermer tous les réglages lorsque la cuisson est terminée.

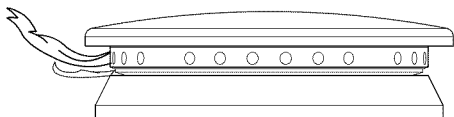
Le non-respect de ces instructions peut causer un décès ou un incendie.

IMPORTANT : Cette table de cuisson a été configurée à l'usine pour une alimentation au gaz naturel. Si vous souhaitez utiliser du gaz propane, une trousse de conversion au gaz propane est fournie avec la cuisinière. Voir les instructions incluses dans les instructions d'installation pour des détails sur la réalisation de cette conversion.

Des allumeurs électriques allument automatiquement les brûleurs de surface lorsque les boutons de commande sont tournés à LITE (allumage).

Trois différentes tailles de brûleur sont fournies - 20 000 BTU/h [unités thermiques britanniques], 15 000 BTU/h et 5 000 BTU/h.

Le brûleur à double flamme UltraPower™ de 20 000 BTU/h comporte un débit thermique minimal et un débit thermique maximal.



Le réglage Power Hi (puissance élevée) utilise les deux niveaux de flamme à pleine puissance pour fournir le niveau thermique maximal et est idéal pour la cuisson de grandes quantités d'aliments liquides ou solides à l'aide de grandes casseroles et poêles. Les réglages Simmer Hi et Lo (mijotage à grand et petit feu) utilisent uniquement la petite flamme et permettent de contrôler le mijotage avec précision et de cuire de petites quantités d'aliments.

Le brûleur de 5 000 BTU/h atteint 500 BTU/h au réglage minimum et est idéal pour la cuisson de quantités d'aliments plus petites et pour faire fondre le chocolat ou le beurre.

Avant de régler un bouton de commande, placer l'ustensile de cuisson rempli sur la grille. Ne pas faire fonctionner un brûleur avec un ustensile de cuisson vide ou sans ustensile de cuisson sur la grille.

REMARQUE : Vérifier visuellement que le brûleur est allumé. Si le brûleur ne s'allume pas, guetter un déclic. Si l'allumeur n'émet aucun déclic, éteindre le brûleur. Vérifier si le disjoncteur ne s'est pas déclenché ou si un fusible n'est pas grillé.

Vérifier que le bouton de commande est complètement enfoncé sur la tige de la soupape. Si l'allumeur ne fonctionne toujours pas, appeler un technicien de réparation qualifié.

La liaison à la terre et la polarité appropriées sont nécessaires pour le bon fonctionnement du système d'allumage électrique. Si la prise de courant murale ou la boîte de connexion ne fournit pas la polarité correcte, l'allumeur sera relié à la terre et pourra occasionnellement émettre un déclic, même après l'allumage du brûleur. Faire vérifier la prise murale ou la boîte de connexion par un technicien de réparation qualifié pour voir si la polarité du câblage est correcte.

Caractéristique de rallumage

Durant l'utilisation de la table de cuisson, si un ou plusieurs brûleurs s'éteint/s'éteignent en raison de causes extérieures (tel qu'un renversement de liquide, un courant d'air ou un mouvement d'air lié à l'aspiration), le système d'allumage s'active pour rallumer la flamme. Lorsque la flamme réapparaît, la production d'étincelles cesse. Si l'on n'élimine pas le courant d'air dans la pièce, la production épisodique d'étincelles peut se poursuivre. Une production d'étincelles peut aussi se produire occasionnellement lorsqu'on utilise le débit thermique minimal sur l'un des brûleurs.

Réglage :

1. Enfoncer et tourner le bouton dans le sens antihoraire à LITE. Tous les brûleurs de surface émettront un déclic. Seul le brûleur dont le bouton de commande est placé sur LITE produira une flamme.
2. Tourner le bouton n'importe où entre HI et LO (élevé et bas) dans le sens antihoraire. Enfoncer une fois de plus pour passer de LO (bas) à Simmer HI (mijotage élevé).

Utiliser les tableaux suivants comme guide lors du réglage des niveaux thermiques.

Brûleur à double flamme Ultra Power™ de 20 000 BTU/h

RÉGLAGE	UTILISATION RECOMMANDÉE
LITE (allumage)	■ Allumer le brûleur.
HI (élevé)	■ Démarrer la cuisson des aliments. ■ Porter un liquide à ébullition. ■ Préchauffer des poêlons/poêles. ■ Brunir ou saisir rapidement les aliments.
MED (moyen)	■ Faire frire ou sauter les aliments. ■ Maintenir une ébullition.
LO (bas)	■ Faire cuire les soupes et les sauces.
Simmer HI (mijotage élevé)	■ Commencer par faire cuire des aliments plus épais tels que sauce tomate, chili, etc.
Simmer LO (mijotage faible)	■ Maintenir un mijotage doux.

Réglages de brûleurs à mijotage

Réglage :

1. Enfoncer et tourner le bouton dans le sens antihoraire à LITE. Tous les brûleurs de surface émettront un déclic. Seul le brûleur dont le bouton de commande est placé sur LITE produira une flamme.
2. Tourner le bouton n'importe où entre HI et LO (élevé et bas) dans le sens antihoraire.

Utiliser le tableau suivant comme guide lors du réglage des niveaux de chaleur.

Brûleur de professionnel de 15 000 BTU/h

RÉGLAGE	UTILISATION RECOMMANDÉE
LITE (allumage)	■ Allumer le brûleur.
HI (élevé)	<ul style="list-style-type: none"> ■ Démarrer la cuisson des aliments. ■ Porter un liquide à ébullition. ■ Préchauffer des poêlons/poêles. ■ Brunir ou saisir rapidement les aliments.
MED (moyen)	<ul style="list-style-type: none"> ■ Faire frire ou sauter les aliments. ■ Maintenir une ébullition.
LO (bas)	<ul style="list-style-type: none"> ■ Faire cuire les soupes et les sauces. ■ Faire mijoter ou étuver les aliments.

Brûleur pour faire mijoter/fondre de 5 000 BTU/h

RÉGLAGE	UTILISATION RECOMMANDÉE
LITE (allumage)	■ Allumer le brûleur.
HI (élevé)	<ul style="list-style-type: none"> ■ Faire cuire les soupes et les sauces. ■ Faire mijoter ou étuver les aliments.
LO (bas)	■ Faire fondre le chocolat ou le beurre.

N'OUBLIEZ PAS : Quand l'appareil est utilisé ou (sur certains modèles) durant le programme d'autonettoyage, toute la surface de la table de cuisson peut devenir chaude.

Panne de courant

Lors d'une panne de courant prolongée, on peut allumer manuellement les brûleurs de surface. Tenir une allumette allumée près d'un brûleur et tourner le bouton dans le sens antihoraire à HI. Une fois le brûleur allumé, tourner le bouton au réglage souhaité.

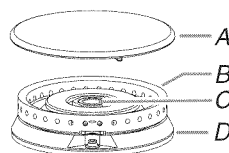
Surface de la table de cuisson

Essuyer la table de cuisson, les grilles et les chapeaux après chaque utilisation; ceci les protégera contre les taches.

Les renversements d'aliments contenant des produits acides, tels que vinaigre et tomates, doivent être nettoyés dès que l'appareil a refroidi. Ces renversements peuvent affecter le fini.

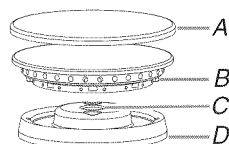
Pour plus de renseignements, voir les sections "Brûleurs de surface scellés" et "Nettoyage général".

Brûleurs de surface scellés



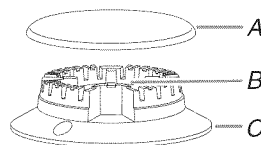
Brûleur à double flamme Ultra Power™ de 20 000 BTU/h

- A. Chapeau de brûleur
- B. Tête de brûleur
- C. Ouverture de gaz
- D. Base du brûleur



Brûleur de professionnel de 15 000 BTU/h

- A. Chapeau de brûleur
- B. Tête de brûleur
- C. Ouverture de gaz
- D. Base du brûleur



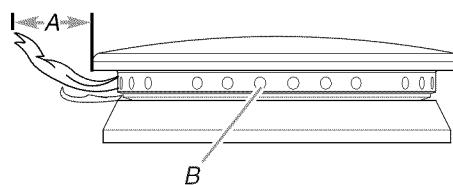
Brûleur pour faire mijoter/fondre de 5 000 BTU/h

- A. Chapeau de brûleur
- B. Ouverture de gaz
- C. Base du brûleur

IMPORTANT : Ne pas entraver l'évacuation de l'air de combustion et de ventilation autour des bords des grilles de brûleur.

Chapeau de brûleur : Toujours garder le chapeau de brûleur en place lorsqu'un brûleur de surface est utilisé. Un chapeau de brûleur propre aide à empêcher le mauvais allumage et les flammes irrégulières. Toujours nettoyer le chapeau du brûleur après un renversement; enlever et nettoyer régulièrement les chapeaux tel qu'indiqué à la section "Nettoyage général".

Ouverture de gaz : Pour que le brûleur s'allume convenablement, le gaz doit pouvoir circuler librement à travers l'ouverture de gaz. Garder cette zone propre et ne pas laisser de renversements, d'aliments, d'agents de nettoyage ou tout autre produit pénétrer dans l'ouverture de gaz. Toujours utiliser un chapeau de brûleur pour protéger l'ouverture de gaz contre tout renversement.



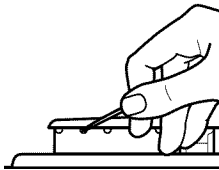
- A. 1" à 1 1/2" (25 à 38 mm)
- B. Orifices de brûleur

Orifices de brûleur : Examiner occasionnellement les flammes des brûleurs pour en vérifier la taille et la forme tel qu'indiqué ci-dessus. Une bonne flamme est bleue et non pas jaune. Garder cette zone propre et ne pas laisser les produits renversés, les aliments, les agents de nettoyage ou tout autre produit pénétrer dans les orifices de brûleur.

Nettoyage :

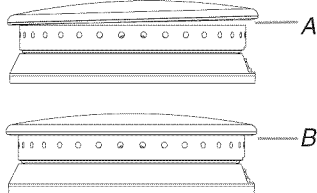
IMPORTANT : Avant le nettoyage, s'assurer que toutes les commandes sont éteintes et que le four et la table de cuisson sont froids. Ne pas utiliser de nettoyeurs à four, d'agent de blanchiment ou de décapants à rouille.

1. Enlever le chapeau et la tête de brûleur de la base du brûleur (brûleurs de 15 000 et 5 000 BTU/h) et les nettoyer tel qu'indiqué à la section "Nettoyage général".
2. Nettoyer l'ouverture de gaz avec un chiffon humide.
3. Nettoyer les orifices de brûleur obstrués avec une épingle droite tel qu'indiqué. Ne pas agrandir ni déformer l'orifice. Ne pas utiliser un cure-dents en bois. Si le brûleur a besoin d'être ajusté, contacter un technicien de réparation qualifié.



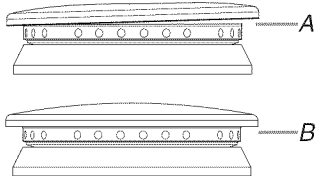
4. Réinstaller le chapeau du brûleur et s'assurer que les tiges d'alignement sont bien alignées avec le chapeau du brûleur.

Brûleur à double flamme Ultra Power™ de 20 000 BTU/h



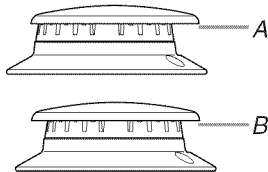
A. Incorrect
B. Correct

Brûleur de professionnel de 15 000 BTU/h



A. Incorrect
B. Correct

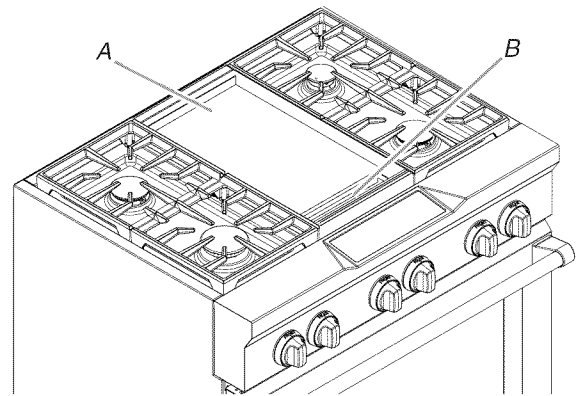
Brûleur pour faire mijoter/fondre de 5 000 BTU/h



A. Incorrect
B. Correct

5. Allumer le brûleur. Si le brûleur ne s'allume pas, vérifier l'alignement du chapeau. Si le brûleur ne s'allume toujours pas, ne pas réparer vous-même le brûleur scellé. Contacter un technicien de réparation qualifié.

Plaque à frire chromée électrique Even-Heat™ (sur certains modèles)



A. Plaque à frire
B. Plateau d'égouttement

Le système de plaque à frire chromée électrique Even-Heat™ fournit une surface de cuisson à répartition de chaleur uniforme et au nettoyage facile.

- Retirer la pellicule de plastique et nettoyer avec de l'eau chaude et savonneuse avant la première utilisation.
- Afin d'éviter d'égratigner la plaque à frire, ne pas placer de casseroles ou de poêles sur la plaque à frire.
- Afin d'éviter d'égratigner la plaque à frire, utiliser uniquement des ustensiles en plastique ou en bois résistants à la chaleur.
- La surface de la plaque à frire est prête à l'emploi et ne nécessite pas de préparation.
- Le fait de verser de l'eau froide sur une plaque à frire chaude peut déformer la plaque à frire et entraîner une surface de cuisson irrégulière.

Utilisation :

1. Positionner le plateau d'égouttement sous le bord avant de la plaque pour récupérer la graisse et les résidus alimentaires.
2. Pousser et tourner le bouton de commande à la température désirée.
3. Consulter le tableau de préchauffage de la plaque à frire pour les durées de préchauffage.

Le témoin lumineux de la plaque à frire s'éteint lorsque le préchauffage de la plaque à frire est terminé. Le témoin lumineux de la plaque à frire s'allume et s'éteint durant l'utilisation de celle-ci pour indiquer que l'élément de chauffage de la plaque à frire maintient la température de surface sélectionnée.

4. Placer l'aliment sur la plaque et cuire au degré de cuisson désiré.

Tableaux de cuisson avec plaque à frire

Les réglages et durées de cuisson sont cités à titre indicatif seulement et peuvent être modifiés en fonction des goûts personnels.

Tableau de préchauffage

TEMPÉRATURE	DURÉE DE PRÉCHAUFFAGE (en minutes)
250°F (121°C)	10
300°F (149°C)	14
350°F (177°C)	15
400°F (204°C)	20
450°F (232°C)	25
500°F (260°C)	27

Tableau de cuisson

ALIMENT	RÉGLAGE	DURÉE TOTALE DE CUISSON EN MINUTES
Galettes et chapelets de saucisses	325°F (163°C)	12 à 18
Tranches de bacon	350°F (177°C)	7 à 11
Steak de jambon (entièrement cuit)	325°F (163°C)	5 à 7
Saucisses de Francfort et saucisses précuites	325°F (163°C)	8 à 15
Galettes de viande hachée	350°F (177°C)	10 à 15
Sandwiches grillés	325°F (163°C)	3 à 5
Darnes et filets de poisson	325°F (163°C)	8 à 15
Oeufs	300°F (149°C)	3 à 5
Pommes de terre rissolées	400°F à 425°F (204°C à 218°C)	8 à 12
Pain doré	350°F (177°C)	5 à 7
Crêpes	350°F (177°C)	2 à 4

Après chaque utilisation :

1. Éteindre la plaque et la laisser refroidir.
2. Gratter les résidus de la plaque à frire et les faire tomber dans le plateau d'égouttement à l'aide d'ustensiles en plastique ou en bois résistants à la chaleur.
3. Rincer la plaque à frire avec de l'eau chaude et savonneuse.
4. Ôter et nettoyer le plateau d'égouttement et la zone située en dessous. Incliner doucement le plateau d'égouttement afin que le contenu ne se renverse pas lorsqu'on le retire.
5. Nettoyer à l'aide d'un tampon à récurer en plastique et de l'eau savonneuse puis rincer à l'eau chaude.
6. Sécher la plaque à frire, le plateau d'égouttement et la zone située en-dessous avec des essuie-tout pour enlever l'excès de graisse et d'huile.

Ustensiles de cuisson

IMPORTANT : Ne pas laisser un ustensile de cuisson vide sur la surface d'une table de cuisson, d'un élément ou d'un brûleur de surface chauds.

Les ustensiles de cuisson idéals doivent avoir un fond plat, des parois droites, un couvercle qui ferme bien et le matériau doit être d'épaisseur moyenne à forte.

Les surfaces rudes peuvent égratigner la table de cuisson.

L'aluminium et le cuivre peuvent être employés comme fond ou base dans un ustensile de cuisson.

Cependant, utilisés comme base, ils peuvent laisser des marques permanentes sur la table de cuisson ou les grilles.

Le matériau d'un ustensile de cuisson affecte la rapidité et l'uniformité de la transmission de la chaleur, ce qui affecte les résultats de cuisson. Un fini antiadhésif a les mêmes caractéristiques que son matériau de base. Par exemple, un ustensile de cuisson en aluminium avec un fini antiadhésif aura les propriétés de l'aluminium.

Les ustensiles de cuisson avec surface antiadhésive ne doivent pas être utilisés sous l'élément de cuisson au grill.

Utiliser le tableau suivant comme guide pour les caractéristiques de matériau des ustensiles de cuisson.

USTENSILE	CARACTÉRISTIQUES
Aluminium	<ul style="list-style-type: none">■ Chauffe rapidement et uniformément.■ Convient à tous les genres de cuisson.■ L'épaisseur moyenne ou forte convient le mieux pour la plupart des tâches de cuisson.
Fonte	<ul style="list-style-type: none">■ Chauffe lentement et uniformément.■ Convient pour le brunissage et la friture.■ Maintient la chaleur pour une cuisson lente.
Céramique ou vitrocéramique	<ul style="list-style-type: none">■ Suivre les instructions du fabricant.■ Chauffe lentement mais inégalement.■ Les meilleurs résultats sont obtenus sur les réglages de chaleur basse à moyenne.
Cuivre	<ul style="list-style-type: none">■ Chauffe très rapidement et de façon uniforme.
Terre cuite	<ul style="list-style-type: none">■ Suivre les instructions du fabricant.■ Utiliser des réglages de température basse.
Acier émaillé (porcelaine) ou fonte émaillée	<ul style="list-style-type: none">■ Voir acier inoxydable ou fonte.

Acier inoxydable	<ul style="list-style-type: none">■ Chauffe rapidement, mais inégalement.■ Un fond ou une base d'aluminium ou de cuivre sur l'acier inoxydable procure un chauffage uniforme.
-------------------------	--

Préparation de conserves à la maison

Lors de la préparation de conserves pendant de longues périodes, alterner l'utilisation des brûleurs de surface entre les quantités préparées. Cette alternance permet aux dernières surfaces utilisées de refroidir.

- Centrer l'autoclave sur la grille.

- Ne pas placer l'autoclave sur deux brûleurs de surface à la fois.
- Pour plus de renseignements, communiquez avec votre service local d'agriculture. Les compagnies qui fabriquent des produits pour la préparation de conserves peuvent aussi offrir de l'aide.

COMMANDES ÉLECTRONIQUES DU FOUR

Ce manuel couvre différents modèles. Le four que vous avez acheté peut comporter tous les articles énumérés ou seulement certains d'entre eux. Les emplacements et aspects des articles illustrés ci-dessous peuvent ne pas correspondre à ceux de votre modèle. On peut accéder aux commandes du four au moyen du tableau de commande et de l'affichage tactile interactif.

REMARQUE : En raison de la sensibilité du tableau de commande, nous avons fourni des instructions spéciales pour le nettoyage du tableau ainsi que l'écran tactile. Voir la section "Nettoyage général" pour les instructions de nettoyage.

Tableau de commande de la cuisinière de 30" (76,2 cm) et 36" (91,4 cm)

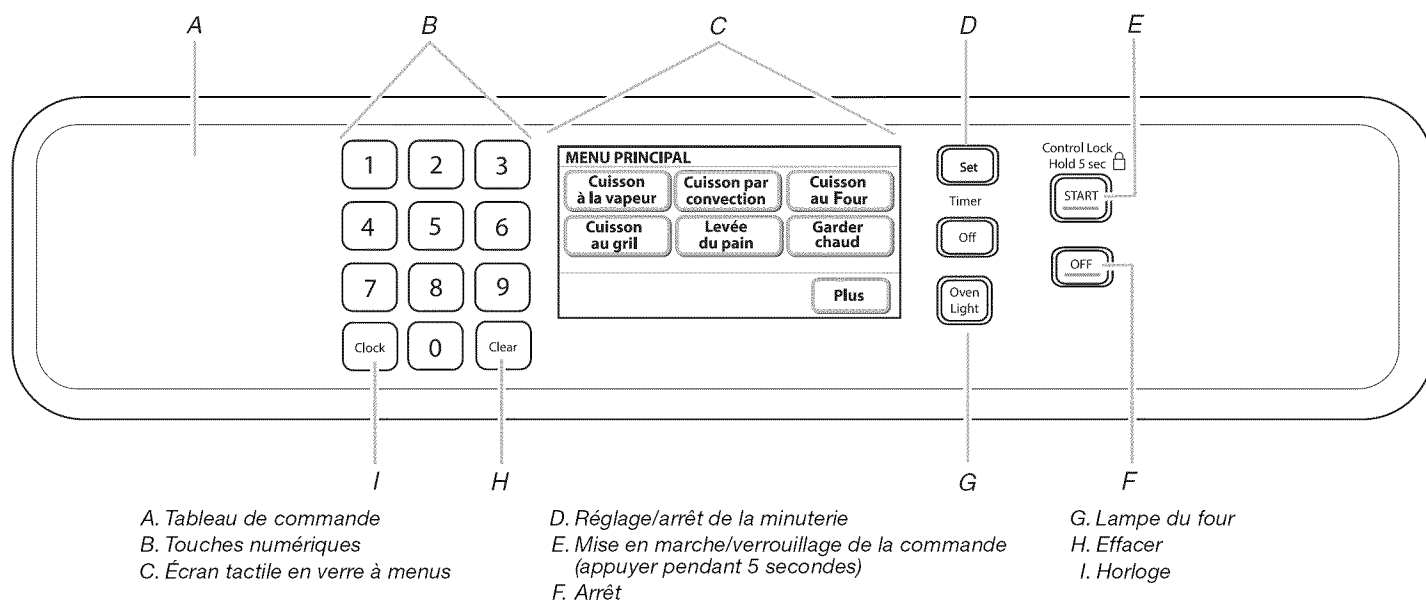


Tableau de commande de la cuisinière de 48" (121,9 cm)

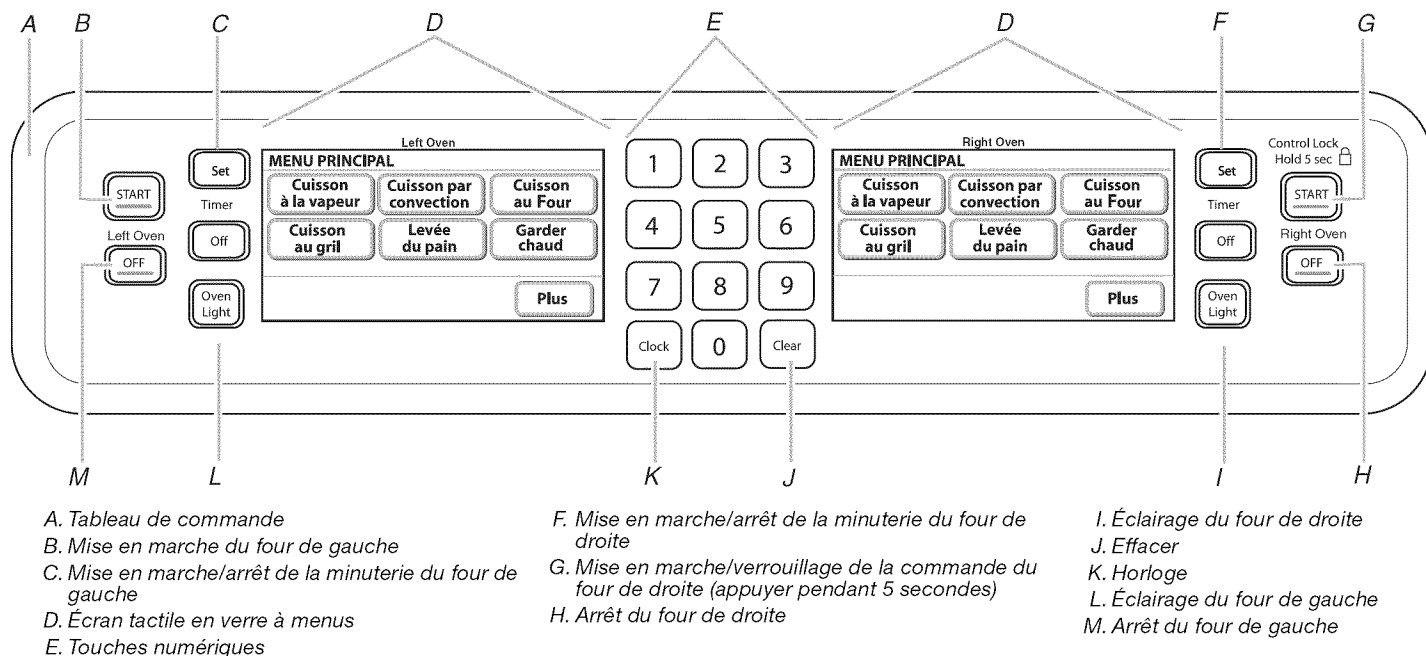


Tableau de commande

Le tableau de commande regroupe le menu de commande et les commandes des différentes fonctions. Les touches de commande sont très sensibles et il suffit d'un toucher léger pour les activer.

Pour plus d'information sur les commandes individuelles, voir leurs sections respectives dans ce manuel.

Écran tactile en verre à menus

La zone d'affichage fonctionne à la fois comme afficheur et comme commande tactile interactive évoluant en fonction des menus. Elle est conçue pour être facilement utilisable, vous guider dans les menus, offrir de multiples sélections, accepter vos données et exécuter vos commandes. Elle fournit également des instructions, des conseils et des illustrations. Pour visualiser les écrans du menu principal, voir la section "Menus principaux".

Afficheur

Lorsque l'alimentation électrique arrive à l'appareil pour la première fois ou lorsque le courant a été interrompu pendant plus de 10 secondes, l'horloge sera réglée à 12:00 P.M. Pour régler l'heure, suivre les instructions de la section "Horloge". Pour passer le réglage de l'horloge et commencer à utiliser le four, appuyer sur Start (mise en marche), Off (arrêt) ou Clear (effacer).

Sur les cuisinières de 48" (121,9 cm), l'affichage de gauche indique le four de 18" (45,7 cm) et l'affichage de droite indique le four de 30" (76,2 cm).

Lorsqu'on utilise le(s) four(s) (mode actif), l'affichage indique la température du four, la(les) source(s) de chaleur et la minuterie si elle est réglée.

Après environ 2 minutes d'inactivité, l'afficheur passe en mode de veille. Lorsque le four fonctionne, l'affichage reste actif.

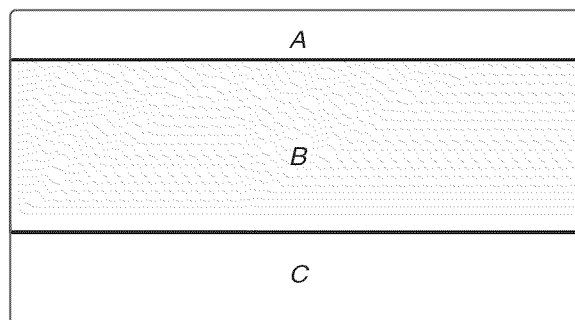
Sur les cuisinières de 30" (76,2 cm) et 36" (91,4 cm), si l'on n'utilise pas la cuisinière (mode veille), l'affichage indique l'heure. Pour allumer/éteindre l'affichage de l'horloge, voir la section "Horloge".

Sur les cuisinières de 48" (121,9 cm), si l'on n'utilise pas la cuisinière (mode veille), l'affichage de droite indique l'heure. Pour allumer/éteindre l'affichage de l'horloge, voir la section "Horloge".

Durant la programmation, l'affichage indique les menus et sélections appropriées pour leur fonction de cuisson respective.

Écran tactile

L'écran tactile ACL est utilisé pour faire des sélections de menu, ajuster les réglages et entrer des données.

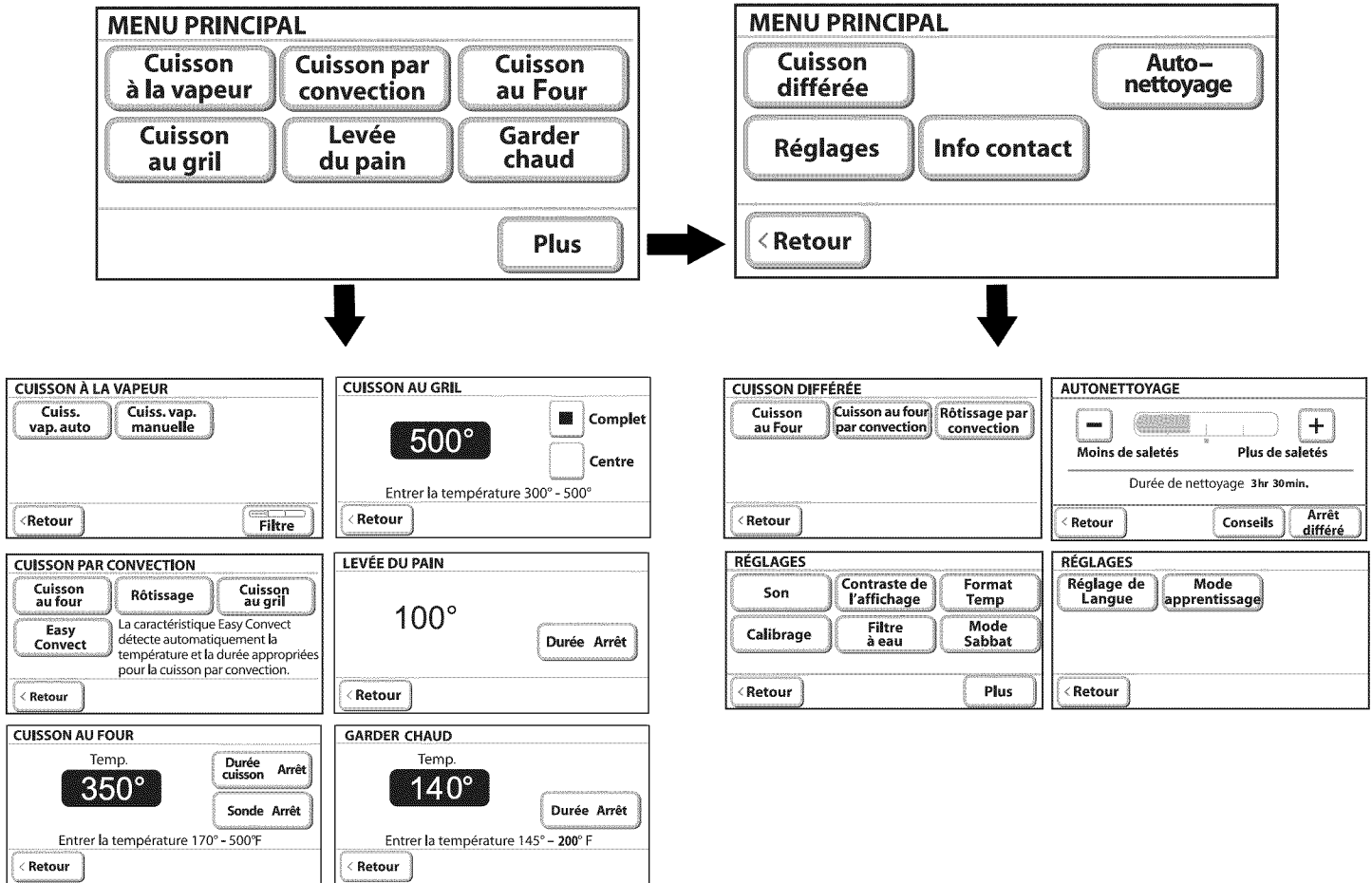


- A. Zone du titre/de la description
- B. Zone du menu et de l'entrée des données de sélection/réglages
- C. Zone des entrées de commande

Les sélections de menu et les ajustements de données sont effectués dans la zone centrale de l'écran et les entrées de commande (OK, Adjust Settings (ajustement des réglages), Browning (brunissage), Back (retour), etc.) sont effectuées dans la zone inférieure de l'écran. Les titres d'écran et les descriptions sont affichés dans la partie supérieure de l'écran; cette zone n'accepte aucune entrée de donnée. Une pression du doigt légère à modérée active la sélection du menu.

Menus principaux

À partir du menu principal, tous les programmes de cuisson automatique peuvent être activés; tous les programmes de cuisson manuels peuvent être programmés; les réglages peuvent être ajustés et les instructions, les directives de préparation et les conseils sont accessibles.



Démonstration de menu

⚠ AVERTISSEMENT

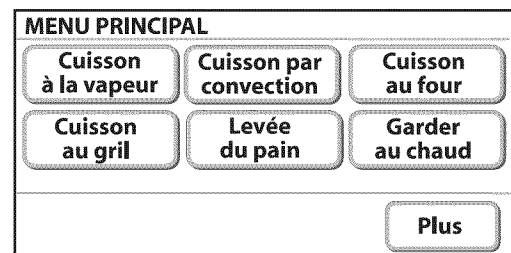
Risque de brûlures

Utiliser des mitaines de four pour retirer la sonde thermométrique.

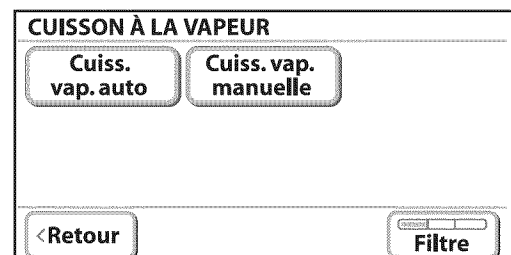
Ne pas toucher l'élément du grill.

Le non-respect de ces instructions peut causer des brûlures.

1. À partir du menu principal, appuyer sur CUISSON À LA VAPEUR.

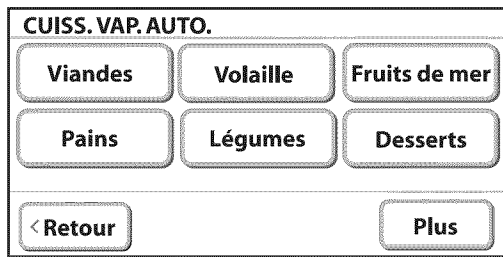


2. À partir du menu Cuisson à la vapeur, appuyer sur CUISS. VAP. AUTO.

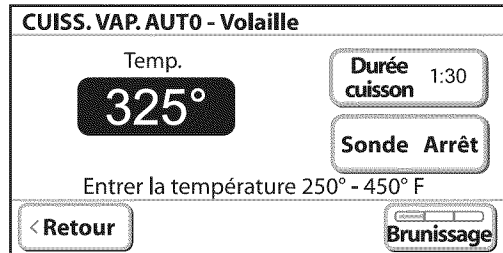


Ce qui suit indique comment faire cuire une dinde à partir du menu Cuisson à vapeur automatique à l'aide d'une sonde thermométrique.

3. À partir du menu Cuiss. vap. auto., appuyer sur VOLAILLE.

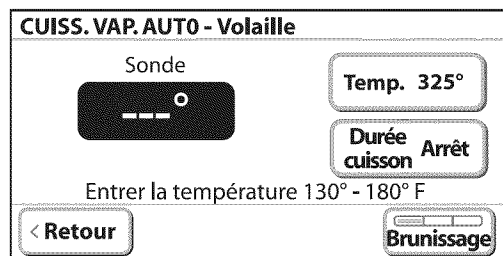


4. À partir du menu Cuiss. vap. auto - Volaille, on peut entrer plusieurs sélections. Le menu affiche les réglages par défaut.



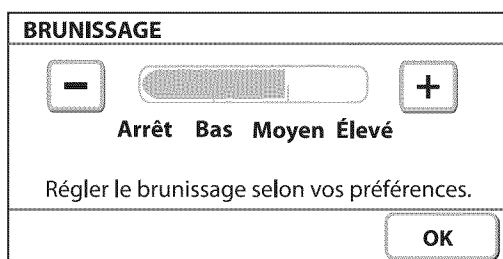
Pour modifier la température, entrer la température souhaitée à l'aide des touches numériques.

5. Si l'on utilise une sonde thermométrique, appuyer sur SONDE et entrer la température souhaitée de l'aliment à l'aide des touches numériques.



6. Pour modifier le degré de brunissage, appuyer sur BRUNISSAGE.

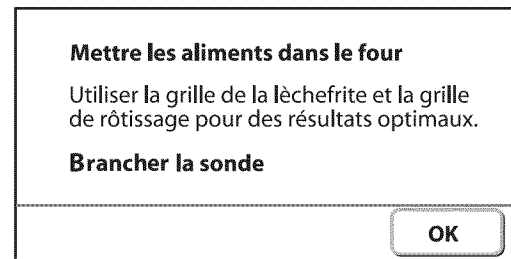
Appuyer sur la touche "plus" (+) ou "moins" (-) pour augmenter ou diminuer le puissance souhaitée. Appuyer sur OK.



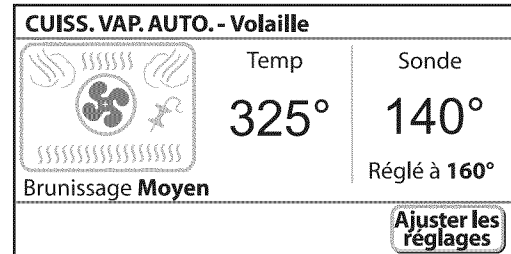
7. Une fois que le réglage est terminé, la touche Démarrer s'allumera.

Lorsque les réglages sont corrects, appuyer sur START (mise en marche). Il sera demandé à l'utilisateur de placer les aliments dans le four et de connecter la sonde thermométrique.

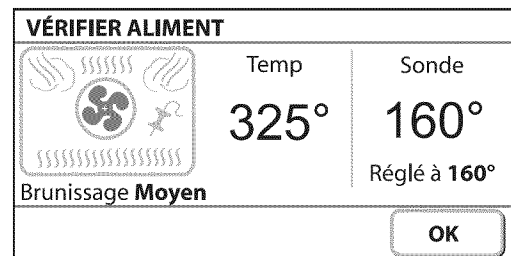
Placer les aliments dans le four, connecter la sonde thermométrique et appuyer sur OK.



8. Une fois que le four commence à fonctionner, la touche Off (arrêt) s'allumera. Appuyer sur OFF si l'on doit éteindre le four pendant la cuisson.



9. Lorsque la température réglée pour la sonde thermométrique est atteinte, le message Vérifier Aliment apparaît sur l'affichage. La sonde thermométrique commence à clignoter et le signal sonore de fin de programme retentit. Appuyer sur OK.



10. Appuyer sur OFF (arrêt) lorsque la cuisson est terminée.

Toujours débrancher et retirer la sonde thermométrique du four lorsqu'on retire les aliments. Le symbole de la sonde restera allumé jusqu'à ce que la sonde soit débranchée.

Réglages

Le four vous donne la possibilité de contrôler plusieurs des réglages par défaut et d'accéder à des informations au moyen de l'affichage à l'écran. Parmi ceux-ci : Son, contraste de l'affichage, format et calibrage de température, filtre à eau, mode d'apprentissage, mode Sabbat et langues.

Pour accéder au menu de réglages, voir les sections suivantes.

Sons (signaux sonores)

Les signaux sonores indiquent ce qui suit :

Un bip

- Touche numérique valide
- Fonction entrée

Une sonnerie

- Programme de préchauffage terminé

Deux sonneries

- Fin d'un programme de cuisson

Trois bips

- Touche numérique non valide

Quatre sonneries

- Lorsque la minuterie est à zéro
Comprend l'utilisation de la minuterie pour des fonctions autres que la cuisson.

Volume de sonnerie (son)

- Le volume pré réglé peut être modifié. Sur les fours doubles, on peut modifier le son de chaque affichage. Modifier le son sur un affichage modifie le son pour les deux fours.

Modification :

1. À partir du menu principal, appuyer sur PLUS.
2. Appuyer sur RÉGLAGES.
3. Appuyer sur SON.
4. Pour modifier le niveau sonore, appuyer sur les signes "plus" (+) ou "moins" (-) pour augmenter ou diminuer le niveau souhaité.
5. Appuyer sur OK.

REMARQUE : Pour couper le son, appuyer sur le "moins" (-) jusqu'à ce que la barre disparaisse à gauche.

Contraste d'affichage

Réglage du contraste d'affichage :

1. À partir du menu principal, appuyer sur PLUS.
2. Appuyer sur RÉGLAGES.
3. Appuyer sur CONTRASTE DE L'AFFICHAGE.
4. Appuyer sur + (plus) ou - (moins) pour augmenter/diminuer le contraste d'affichage et l'amener au réglage désiré.
5. Appuyer sur OK.

Format de température (Fahrenheit et Celsius)

La température est pré réglée en Fahrenheit, mais elle peut être modifiée en Celsius.

Modification :

1. À partir du menu principal, appuyer sur PLUS.
2. Appuyer sur RÉGLAGES.
3. Appuyer sur FORMAT TEMP.
4. Appuyer sur °F (Fahrenheit) ou °C (Celsius).
5. Appuyer sur OK.

Calibrage (commande de la température du four)

IMPORTANT : Ne pas utiliser de thermomètre pour mesurer la température du four car l'ouverture de la porte du four durant le fonctionnement par intermittence peut provoquer des lectures incorrectes.

Le four fournit des températures précises; toutefois, il peut cuire plus rapidement ou plus lentement que votre four précédent, c'est pourquoi le calibrage de la température peut être ajusté. Il peut être changé en degrés Fahrenheit ou Celsius.

Un signe moins signifie que le four sera plus froid du nombre de degrés affiché. L'absence de signe moins signifie que le four sera plus chaud du nombre de degrés affiché. Utiliser le tableau suivant comme guide.

AJUSTEMENT EN °F (CHANGEMENT AUTOMATIQUE EN °C)	CUIT LES ALIMENTS
10°F (5°C)	...un peu plus
20°F (10°C)	...modérément plus
30°F (15°C)	...beaucoup plus
0°F (0°C)	...réglage par défaut
-10°F (-5°C)	...un peu moins
-20°F (-10°C)	...modérément moins
-30°F (-15°C)	...beaucoup moins

Ajustement du calibrage de la température du four :

1. À partir du menu principal, appuyer sur MORE (plus).
2. Appuyer sur RÉGLAGES.
3. Appuyer sur CALIBRAGE.
4. Appuyer sur le + (plus) ou le - (moins) pour augmenter ou diminuer la température.
5. Appuyer sur OK.

Filtre à eau/système de filtration de l'eau

Le réglage de filtre à eau vous permet de vérifier le statut du filtre à eau et de réinitialiser le système après que le filtre a été remplacé.

IMPORTANT : Le four désactive les fonctions de cuisson à la vapeur jusqu'à ce que le filtre soit remplacé.

Pour vérifier le statut du filtre :

1. À partir du menu principal, appuyer sur PLUS.
2. Appuyer sur RÉGLAGES.
3. Appuyer sur FILTRE À EAU.
4. Le statut est affiché. Il existe 3 états du filtre à eau : Bon, Remplacer le filtre bientôt et Remplacer le filtre. Si le statut du filtre est Remplacer le filtre bientôt ou Remplacer le filtre, la touche Réinitialiser devient utilisable.

REMARQUE : Voir la section "Remplacement de la cartouche du filtre à eau".

5. Après avoir remplacé le filtre, appuyer sur RÉINITIALISER pendant environ 3 secondes pour réinitialiser le système. Le statut passera à Bon.

REMARQUE : Si l'on réinitialise le système sans changer le filtre, le système continuera de notifier l'utilisateur que le filtre doit être changé. Le four désactive les fonctions de cuisson à la vapeur jusqu'à ce que le filtre soit remplacé. Poursuivre la réinitialisation du système sans changer le filtre peut endommager le four.

Pour des renseignements sur la commande de filtres de rechange, appuyer sur INFO. PR. COMM. ou voir la section "Assistance ou Service".

6. Appuyer sur OK pour revenir au menu de réglages.

REMARQUE : Il est normal d'entendre des bruits durant les programmes de cuisson à la vapeur; ces bruits sont causés par l'ouverture et la fermeture du robinet d'arrivée d'eau et l'écoulement de l'eau dans le système de production de vapeur.

Mode d'apprentissage

Le four possède un mode d'apprentissage qui peut présenter à l'utilisateur les fonctions du four et lui permettre de se familiariser avec les commandes. Lorsqu'il est en mode d'apprentissage, le four ne se met pas réellement en marche et ne chauffe pas les aliments.

Utilisation du mode d'apprentissage :

1. À partir du menu principal, appuyer sur PLUS.
2. Appuyer sur RÉGLAGES.
3. Appuyer sur PLUS.
 1. Appuyer sur MODE D'APPRENTISSAGE.
 2. Le menu principal du mode d'apprentissage s'affiche.

Mode Sabbat

Le mode Sabbat permet au(x) four(s) de rester sur un réglage de cuisson au four jusqu'à ce qu'on l'éteigne. Un mode Sabbat minuté peut également être programmé pour garder le four allumé seulement pendant une partie du Sabbat.

Lorsque le mode Sabbat est programmé, seules les touches numériques et de mise en marche fonctionnent; aucun signal sonore ne retentira et les afficheurs n'indiqueront aucun message ou changement de température. Les icônes de source de chaleur restent allumées sur l'afficheur du four lors du fonctionnement du mode Sabbat.

Lorsque la porte du four est ouverte ou fermée, la lampe du four ne s'allume ou ne s'éteint pas et les éléments de chauffage ne s'allument ou ne s'éteignent pas immédiatement.

Si une panne de courant se présente lorsque le mode Sabbat est programmé, le(s) four(s) restera/resteront au mode Sabbat mais ne sera/seront plus en mode cuisson. Lorsque l'alimentation électrique est rétablie, l'affichage indique "Mode Sabbat - panne de courant". Appuyer sur OFF pour revenir à un mode de fonctionnement normal (pas de mode Sabbat, pas de cuisson).

⚠ AVERTISSEMENT



Risque de brûlures

Utiliser des mitaines de four pour retirer la sonde thermométrique.

Ne pas toucher l'élément du gril.

Le non-respect de ces instructions peut causer des brûlures.

REMARQUE : Si l'on appuie sur mode Sabbat alors que la sonde thermométrique est programmée, un message apparaît indiquant "Sonde non disponible". Retirer la sonde thermométrique et appuyer sur CONTINUER pour entrer au mode Sabbat non minuté. Appuyer sur CANCEL (annulation) pour revenir au mode de cuisson au four.

Activation :

Avant que le mode Sabbat puisse être régulièrement programmé, le(s) four(s) doit (doivent) être réglés pour un fonctionnement au mode Sabbat d'une seule fois. Sur les modèles de 48" (121,9 cm), les deux fours sont activés en même temps à l'aide de l'affichage du four de droite ou de gauche.

1. À partir du menu principal, appuyer sur PLUS.
2. Appuyer sur RÉGLAGES. Appuyer sur PLUS.
3. Appuyer sur MODE SABBAT.
4. Appuyer sur l'option Activer le mode Sabbat lors de la cuisson au four.
5. Appuyer sur OK.

Désactivation :

La fonction d'activation du mode Sabbat sur le(s) four(s) peut être désactivée en répétant les étapes précédentes. Voir la section "Activation". Lorsque la fonction est désactivée, "MODE SABBAT DÉACTIVÉ" apparaît sur l'afficheur pendant environ 5 secondes.

Le mode Sabbat ne peut être programmé régulièrement tant qu'il n'a pas été réactivé.

Pour un réglage normal, non minuté :

Le mode Sabbat doit être activé avant de lancer le programme de cuisson au four. Voir la section "Activation".

Modèles de 30" (76,2 cm) et 36" (91,4 cm) :

1. À partir du menu principal, appuyer sur CUISSON AU FOUR.
2. Pour modifier la température pré-réglée, entrer la température souhaitée à l'aide des touches numériques. La température peut être réglée entre 170°C et 500°F (77°C et 260°C).
3. Ne pas entrer de durée de cuisson.
4. Lorsque les réglages sont corrects, appuyer sur START (mise en marche).
5. Si la température du four est inférieure à la température de réglage, la barre de préchauffage sera affichée, indiquant le statut du programme de préchauffage. Lorsque le préchauffage est terminé, un signal sonore retentit*.
6. Lorsqu'un programme de cuisson au four fonctionne, une touche Mode Sabbat apparaît dans la section inférieure droite de l'affichage.
7. Appuyer sur MODE SABAT. (Si le mode Sabbat n'apparaît pas au cours du programme de cuisson au four, consulter la section "Activation".)
8. Lorsque le four est au mode Sabbat, une touche Fin du mode Sabbat apparaît dans la section inférieure droite de l'affichage. Appuyer sur FIN DU MODE SABBAT pendant environ 3 secondes pour revenir au programme de cuisson au four ordinaire.
9. Pour arrêter le four, appuyer sur OFF (arrêt) à n'importe quel moment.

*Lorsque le four est placé au mode Sabbat, l'écran de mode Sabbat apparaît et aucun signal sonore ne retentit à la fin du programme de préchauffage.

Modèles de 48" (121,9 cm) :

Chaque four peut être indépendamment programmé au mode Sabbat.

Pour régler le mode Sabbat non minuté sur l'un des fours, suivre les étapes 1 à 9 ci-dessus. Si l'un des fours est réglé au mode Sabbat, l'autre four ne fonctionne pas.

Pour programmer les deux fours au mode Sabbat non minuté, un programme de cuisson au four ordinaire doit être programmé sur chaque four avant d'appuyer sur la touche Mode Sabbat. Suivre les étapes 1 à 4 ci-dessus pour chaque four.

1. Lorsqu'un programme de cuisson au four ordinaire est en cours sur chaque four et que la touche Mode Sabbat est apparue dans la section inférieure droite des affichages, appuyer sur MODE SABBAT sur l'un des affichages et les deux fours entreront au mode Sabbat.
2. Lorsque les fours sont au mode Sabbat, une touche Fin du mode Sabbat apparaît dans la section inférieure droite de chaque affichage. Appuyer sur FIN DU MODE SABBAT sur l'un des affichages pendant environ 3 secondes; les deux fours reviennent alors au programme de cuisson au four ordinaire.
3. Appuyer sur OFF à n'importe quel moment durant le mode Sabbat pour éteindre les deux fours simultanément.

Pour un réglage normal, minuté :

! AVERTISSEMENT

Risque du poids excessif

Utiliser deux ou plus de personnes pour déplacer et installer le climatiseur.

Le non-respect de cette instruction peut causer une blessure au dos ou d'autre blessure.

Le mode Sabbat doit être activé avant de lancer le programme de cuisson au four. Voir la section "Activation".

Modèles de 30" (76,2 cm) et 36" (91,4 cm) :

1. À partir du menu principal, appuyer sur CUISSON AU FOUR.
2. Pour modifier la température pré-réglée, entrer la température souhaitée à l'aide des touches numériques. La température peut être réglée entre 170°C et 500°F (77°C et 260°C).
3. Pour entrer une durée de cuisson, appuyer sur DURÉE CUISSON. Entrer la durée de cuisson souhaitée à l'aide des touches numériques.
4. Lorsque les réglages sont corrects, appuyer sur START (mise en marche).
5. Si la température du four est inférieure à la température de réglage, la barre de préchauffage sera affichée, indiquant le statut du programme de préchauffage. Lorsque le préchauffage est terminé, un signal sonore retentit*.
6. Lorsqu'un programme de cuisson au four fonctionne, une touche Mode Sabbat apparaît dans la section inférieure droite de l'affichage.
7. Appuyer sur MODE SABBAT. (Si le mode Sabbat n'apparaît pas au cours du programme de cuisson au four, consulter la section "Activation".)
8. Lorsque le four est au mode Sabbat, une touche Fin du mode Sabbat apparaît dans la section inférieure droite de l'affichage. Appuyer sur FIN DU MODE SABBAT pendant environ 3 secondes pour revenir au programme de cuisson au four ordinaire.
9. Lorsque la durée de cuisson atteint 0:00, le message Mode Sabbat terminé apparaît. La durée restante est mise à jour à chaque minute mais aucun signal de fin de programme ne retentit.
10. Appuyer sur OK pour revenir au menu principal.
11. Pour arrêter le four, appuyer sur OFF (arrêt) à n'importe quel moment.

*Lorsque le four est placé au mode Sabbat, l'écran de mode Sabbat apparaît et aucun signal sonore ne retentit à la fin du programme de préchauffage.

Modèles de 48" (121,9 cm) :

Chaque four peut être indépendamment programmé au mode Sabbat.

Pour régler un mode Sabbat minuté sur l'un des fours, suivre les étapes 1 à 11 ci-dessus. Si l'un des fours est réglé au mode Sabbat, l'autre four ne fonctionne pas.

Pour programmer les deux fours au mode Sabbat minuté, un programme de cuisson minuté ordinaire doit être programmé sur chaque four avant d'appuyer sur la touche Mode Sabbat. Suivre les étapes 1 à 4 ci-dessus pour chaque four.

1. Lorsqu'un programme de cuisson au four minuté ordinaire est en cours sur chaque four et que la touche Mode Sabbat est apparue dans la section inférieure droite des affichages, appuyer sur MODE SABBAT sur l'un des affichages et les deux fours entreront au mode Sabbat.
2. Lorsque les fours sont au mode Sabbat, une touche Fin du mode Sabbat apparaît dans la section inférieure droite de chaque affichage. Appuyer sur FIN DU MODE SABBAT sur l'un des affichages pendant environ 3 secondes; les deux fours reviennent alors au programme de cuisson au four ordinaire.
3. Appuyer sur OFF à n'importe quel moment durant le mode Sabbat pour éteindre les deux fours simultanément.

REMARQUE : Sur les modèles de 48" (121,9 cm), on peut régler un four au mode Sabbat minuté et l'autre au mode Sabbat non minuté à condition de régler chaque four avant d'appuyer sur la touche Mode Sabbat.

Réglage de cuisson différée :

Le mode Sabbat doit être activé avant de lancer le programme de cuisson au four. Voir la section "Activation".

Modèles de 30" (76,2 cm) et 36" (91,4 cm) :

1. À partir du menu principal, appuyer sur PLUS.
2. Appuyer sur CUISSON DIFFÉRÉE.
3. Appuyer sur CUISSON AU FOUR.
4. Pour modifier la température pré-réglée, entrer la température souhaitée à l'aide des touches numériques. La température peut être réglée entre 170°C et 500°F (77°C et 260°C).
5. Appuyer sur DURÉE CUISSON. Entrer la durée de cuisson souhaitée à l'aide des touches numériques.
6. Appuyer sur TEMPS DIFFÉRÉ. Entrer la durée que l'on souhaite qui s'écoule avant la mise en marche de la cuisson à l'aide des touches numériques.
7. Lorsque les réglages sont corrects, appuyer sur START (mise en marche).
8. Lorsque l'heure de cuisson différée est atteinte, si la température du four est inférieure à la température de réglage, la barre de préchauffage s'affiche, indiquant le statut du programme de préchauffage. Lorsque le préchauffage est terminé, un signal sonore retentit*.
9. Lorsqu'un programme de cuisson différée fonctionne, une touche SMode Sabbat apparaît dans la section inférieure droite de l'affichage.

10. Appuyer sur MODE SABBAT. (Si le mode Sabbat n'apparaît pas au cours du programme de cuisson au four, consulter la section "Activation".)
11. Lorsque le four est au mode Sabbat, une touche Fin du mode Sabbat apparaît dans la section inférieure droite de l'affichage. Appuyer sur FIN DU MODE SABBAT pendant environ 3 secondes pour revenir au programme de cuisson au four ordinaire.
12. Lorsque la durée de cuisson atteint 0:00, le message Mode Sabbat terminé apparaît. La durée restante est mise à jour à chaque minute mais aucun signal de fin de programme ne retentit.
13. Appuyer sur OK pour revenir au menu principal.
14. Pour arrêter le four, appuyer sur OFF (arrêt) à n'importe quel moment.

*Lorsque le four est placé au mode Sabbat, l'écran de mode Sabbat apparaît et aucun signal sonore ne retentit à la fin du programme de préchauffage.

Modèles de 48" (121,9 cm) :

Chaque four peut être indépendamment programmé au mode Sabbat.

Pour régler un mode Sabbat différé sur l'un des fours, suivre les étapes 1 à 14 ci-dessus. Si l'un des fours est réglé au mode Sabbat, l'autre four ne fonctionne pas.

Pour programmer les deux fours au mode Sabbat différé, un programme de cuisson différé ordinaire doit être programmé sur chaque four avant d'appuyer sur la touche Mode Sabbat. Suivre les étapes 1 à 7 ci-dessus pour chaque four.

1. Lorsqu'un programme de cuisson au four ordinaire différé est en cours sur chaque four et que la touche Mode Sabbat est apparue dans la section inférieure droite des affichages, appuyer sur MODE SABBAT sur l'un des affichages et les deux fours entreront au mode Sabbat.
2. Lorsque les fours sont au mode Sabbat, une touche Fin du mode Sabbat apparaît dans la section inférieure droite de chaque affichage. Appuyer sur FIN DU MODE SABBAT sur l'un des affichages pendant environ 3 secondes; les deux fours reviennent alors au programme de cuisson au four ordinaire.
3. Appuyer sur OFF à n'importe quel moment durant le mode Sabbat pour éteindre les deux fours simultanément.

Sur les modèles de 48" (121,9 cm), on peut régler un four au mode Sabbat différé et l'autre au mode Sabbat minuté ou non minuté ordinaire à condition de régler chaque four avant d'appuyer sur la touche Mode Sabbat.

REMARQUE : L'écran du mode Sabbat s'affiche lorsque le four est programmé à un mode Sabbat différé. Les touches de changement de température mentionnées dans la section suivante ne fonctionnent pas avant le début du programme de cuisson au four. Celles-ci sont activées une fois le programme de cuisson commencé.

Changement de température

La température du four peut être modifiée lorsque le(s) four(s) est/sont en mode Sabbath. Aucun signal sonore ne retentira et l'affichage ne changera pas. Les éléments chauffants ne s'allumeront ou ne s'éteindront pas pendant un certain temps, entre 16 et 24 secondes. Le changement de température du four peut prendre jusqu'à une demi-heure.

Sur les cuisinières de 48" (121,9 cm), on peut régler indépendamment la cavité de chaque four à des températures différentes.

Si l'on souhaite modifier la température de chaque four, attendre au moins 1 minute entre le moment où l'on change la température du premier four et celui où l'on change la température du second four.

Les touches numériques de 1 à 0 représentent les températures. Utiliser le tableau suivant comme guide.

TOUCHE NUMÉRIQUE	TEMPÉRATURE DU FOUR
1	170°F (77°C)
2	200°F (95°C)
3	225°F (107°C)
4	250°F (120°C)
5	300°F (149°C)
6	325°F (163°C)
7	350°F (177°C)
8	375°F (191°C)
9	400°F (204°C)
0	450°F (232°C)

Pour changer la température :

1. Appuyer sur la touche numérique indiquée dans le tableau.
2. Appuyer sur START (mise en marche).

Langues

Modification du réglage de langue :

1. À partir du menu principal, appuyer sur PLUS.
2. Appuyer sur RÉGLAGES.
3. Appuyer sur PLUS.
4. Appuyer sur LANGUES.
5. Appuyer sur ENGLISH (anglais) ou FRANÇAIS.
6. Appuyer sur OK.

Horloge

Il s'agit d'une horloge de 12 heures. Avant le réglage, s'assurer que le(s) four(s), la minuterie et la cuisson minutée sont désactivés.

Réglage :

1. Appuyer sur RÉGLAGE/ MISE EN MARCHÉ DE L'HORLOGE.
2. Entrer la durée souhaitée en appuyant sur les touches numériques pour régler l'heure.
3. Appuyer sur AM ou PM.
4. Appuyer sur OK.
5. Pour éteindre l'affichage de l'horloge, appuyer sur RÉGLAGE/ MISE EN MARCHÉ DE L'HORLOGE.
6. Appuyer sur MARCHÉ AFFICHEUR ou ARRÊT AFFICHEUR.
7. Appuyer sur OK (d'accord).

Start (mise en marche)

La touche Start (mise en marche) met en marche toutes les fonctions du four, sauf le mode Sabbath. Une fois qu'une fonction de réglage de cuisson est terminée, la touche Start (mise en marche) s'allume jusqu'à ce qu'on la touche du doigt. Si on n'appuie pas sur cette touche dans les 2 minutes après avoir entré une fonction de cuisson, l'afficheur retourne au mode de veille et la fonction programmée est annulée.

Minuterie

La minuterie peut être réglée en heures et minutes et procède à un compte à rebours de la durée réglée. Le décompte de durées de plus de 1 heure se fera en minutes. Pour la dernière heure, le décompte de la durée se fera en minutes et en secondes.

REMARQUE : La minuterie ne met pas en marche et n'arrête pas le four.

Réglage :

1. Appuyer sur TIMER SET (réglage de la minuterie).
2. Utiliser les touches + (plus) ou - (moins) pour régler la durée ou entrer le réglage de minuterie désiré en appuyant sur les touches numériques.
3. Appuyer sur DÉMARRER MINUTERIE.
Si l'on n'appuie pas sur Démarrer minuterie, la commande reste en mode d'attente. Lorsque la durée réglée est écoulée, des signaux sonores de fin de programme retentissent continuellement si programmés jusqu'à ce qu'on appuie sur la touche "Timer Off" (arrêt de la minuterie).
4. Appuyer sur TIMER OFF (arrêt de la minuterie) à tout moment pour annuler la minuterie ou arrêter les signaux de rappel.

Lorsqu'on appuie sur la touche Right Oven Off (arrêt du four droit) ou Left Oven Off (arrêt du four gauche), le four concerné s'éteint. Toutefois, on ne peut arrêter la minuterie qu'en utilisant la touche Timer Off (arrêt de la minuterie).

Off (arrêt)

La touche OFF (arrêt) arrête toutes les fonctions du four à l'exception de l'horloge, de la minuterie et du verrouillage de la commande. Le ventilateur de refroidissement du four peut continuer à fonctionner même après l'annulation ou la fin d'une fonction, selon la température du four.

Si l'on appuie sur la touche Off (arrêt), la fonction de cuisson est annulée et l'affichage revient au menu principal à partir de n'importe quel menu.

Verrouillage de la commande

Le verrouillage de la commande désactive les touches du tableau de commande pour éviter l'utilisation involontaire du ou des fours. Si le verrouillage de la commande a été réglé avant une panne de courant, la fonction reste activée après la panne de courant.

Lorsque la commande est verrouillée, seules les touches TIMER SET (réglage de la minuterie), TIMER OFF (minuterie désactivée) et OVEN LIGHT (lampe du four) fonctionnent.

Le verrouillage de la commande est pré-réglé désactivé, mais peut être activé.

Verrouillage des commandes : Appuyer sur START (mise en marche) pendant environ 5 secondes, jusqu'à ce que "Commandes verrouillées" ainsi que l'icône d'un verrou apparaissent dans l'affichage et qu'un signal sonore de confirmation retentisse, indiquant que la commande du four a été verrouillée. "Commandes verrouillées" et l'icône de verrou apparaissent dans l'affichage pendant environ 5 secondes.

Si l'on appuie sur une touche pendant que l'on appuie sur les commandes, le signal sonore de touche non valide retentit et un message de rappel apparaît, indiquant que les commandes sont verrouillées.

Pour déverrouiller les commandes : Répéter pour déverrouiller la commande. Un signal sonore retentit et un message de commandes déverrouillées apparaît pendant environ 5 secondes.

UTILISATION DU FOUR

À propos du four

Des odeurs et de la fumée sont normales lorsque le four est utilisé les premières fois, ou lorsqu'il est très sale.

Lors de l'utilisation du four, les éléments chauffants ne resteront pas allumés, mais fonctionneront par intermittence.

IMPORTANT : La santé de certains oiseaux est très sensible aux émanations de fumée. L'exposition aux émanations peut entraîner la mort de certains oiseaux. Toujours déplacer les oiseaux dans une autre pièce fermée et bien aérée.

Le four est équipé d'un système de filtration de l'eau. Ce système est nécessaire pour utiliser la fonction de cuisson à la vapeur.

IMPORTANT : Le four arrêtera les fonctions de vapeur jusqu'à ce que le filtre soit remplacé.

Le filtre à eau doit être changé régulièrement. La durée de vie du filtre dépend de facteurs tels que la quantité de cuisson à la vapeur effectuée et la dureté de l'eau de votre foyer. Le four dispose d'un détecteur pour déterminer quand le filtre doit être changé.

REMARQUE : Il est normal d'entendre des bruits pendant les programmes de cuisson à la vapeur liés à l'ouverture et à la fermeture du robinet d'entrée d'eau et de l'écoulement de l'eau dans le système de vapeur.

Papier d'aluminium

IMPORTANT : Pour éviter des dommages permanents au fini du fond du four, ne pas recouvrir le fond du four avec du papier d'aluminium ou un revêtement quelconque.

- Pour assurer une bonne circulation de l'air et des résultats de cuisson optimaux, ne pas recouvrir la grille entière de papier d'aluminium.
- Pour récupérer les renversements, placer une feuille de papier d'aluminium sur la grille sur laquelle le plat est placé. Veiller à ce qu'elle dépasse d'au moins 1/2" (1,3 cm) tout autour du plat et à ce que les bords soient relevés.

Ustensiles de cuisson

Le matériau des ustensiles de cuisson affecte les résultats de cuisson. Suivre les recommandations du fabricant et utiliser le format d'ustensiles recommandé dans la recette. Se servir du tableau suivant comme guide.

USTENSILES DE CUISSON/RÉSULTATS	RECOMMANDATIONS
Aluminium légèrement coloré <ul style="list-style-type: none"> ■ Croûtes légèrement dorées ■ Brunissage uniforme 	<ul style="list-style-type: none"> ■ Utiliser la température et la durée recommandées dans la recette.
Aluminium foncé et autres ustensiles de cuisson avec fini foncé, terne et/ou antiadhésif <ul style="list-style-type: none"> ■ Croûtes brunes, croustillantes 	<ul style="list-style-type: none"> ■ Peut nécessiter de réduire légèrement les températures de cuisson. ■ Utiliser la durée de cuisson suggérée. ■ Pour les tartes, pains et mets en sauce, utiliser la température recommandée dans la recette. ■ Placer la grille au centre du four.
Tôles à biscuits ou moules à cuisson à isolation thermique <ul style="list-style-type: none"> ■ Brunissage faible ou non existant à la base 	<ul style="list-style-type: none"> ■ Placer à la troisième position au bas du four. ■ Peut nécessiter d'augmenter le temps de cuisson.
Acier inoxydable <ul style="list-style-type: none"> ■ Croûtes dorées, légères ■ Brunissage inégal 	<ul style="list-style-type: none"> ■ Peut nécessiter d'augmenter le temps de cuisson.
Plats en grès/Pierre de cuisson <ul style="list-style-type: none"> ■ Croûtes croustillantes 	<ul style="list-style-type: none"> ■ Suivre les instructions du fabricant.
Plats en verre, vitrocéramique ou céramique allant au four <ul style="list-style-type: none"> ■ Croûtes brunes, croustillantes 	<ul style="list-style-type: none"> ■ Peut nécessiter de réduire légèrement la température de cuisson.

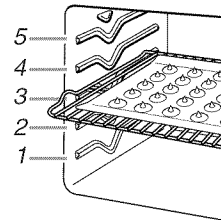
Positionnement des grilles et des ustensiles de cuisson

IMPORTANT : Afin d'éviter des dommages permanents au fini en porcelaine, ne pas placer d'aliments ou d'ustensiles de cuisson directement sur la porte ou sur le fond du four.

GRILLES

- Placer les grilles avant d'allumer le four.
- Ne pas installer les grilles lorsque des ustensiles de cuisson se trouvent dessus.
- S'assurer que les grilles sont d'aplomb.

Pour déplacer une grille, la tirer jusqu'à la butée d'arrêt, soulever le rebord avant et la tirer pour la sortir du four. Se servir de l'illustration et des tableaux suivants comme guide.



Cuisson traditionnelle

ALIMENT	POSITION DE LA GRILLE
Gros rôtis, dindes, gâteaux des anges et gâteaux Bundt, pains éclairs, tartes	1 ou 2
Pains à la levure, mets en sauce, viande et volaille	2
Biscuits, muffins et gâteaux	1 et 4 ou 2 et 4 ou 3 pour la cuisson au four sur une seule grille

Cuisson par convection

RÉGLAGE DU FOUR	NOMBRE DE GRILLES UTILISÉES	POSITION(S) DE LA GRILLE
Cuisson au four par convection	1	1, 2 ou 3
Cuisson au four par convection	2	1 et 4 ou 2 et 4
Cuisson au four par convection	3	1, 3 et 5
Rôtissage par convection	1	1, 2 ou 3
Cuisson au gril par convection	1	3 ou 4

USTENSILES DE CUISSON

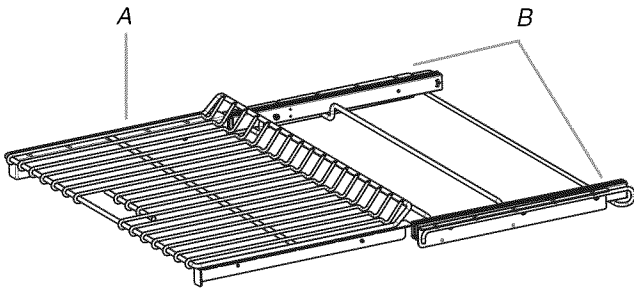
L'air chaud doit pouvoir circuler autour de l'aliment pour le cuire uniformément. Pour une cuisson traditionnelle, laisser 2" (5,0 cm) entre les ustensiles de cuisson et les parois du four. Pour une cuisson par convection traditionnelle, laisser 1" (2,5 cm) entre les ustensiles de cuisson et les parois du four. Utiliser le tableau suivant comme guide.

NOMBRE D'USTENSILES	POSITION SUR LA GRILLE
1	Centre de la grille.
2	Côte à côte ou légèrement décalés.
3 ou 4	Positionnement idéal pour des résultats optimaux. S'assurer qu'aucun ustensile de cuisson ne se trouve directement au-dessus d'un autre.

Grille coulissante déployante SatinGlide™

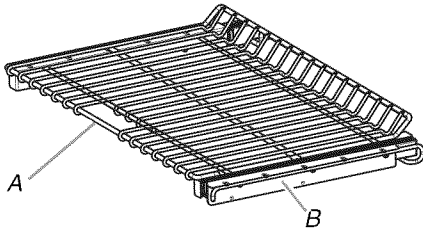
La grille coulissante déployante SatinGlide™ permet un accès facile pour la mise au four et l'extraction d'un plat; on peut la placer à l'une des positions 1 à 4. La grille coulissante déployante SatinGlide™ ne rentre pas à la position 5.

Grille déployée



A. Grille coulissante déployante SatinGlide™
B. Tablette coulissante

Grille rétractée et emboîtée

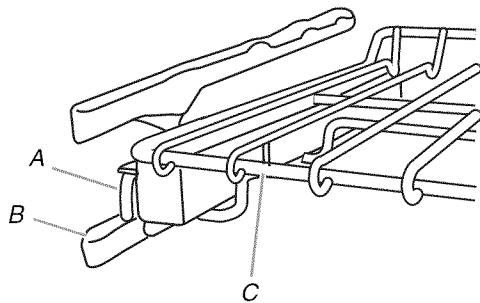


A. Grille coulissante déployante SatinGlide™
B. Tablette coulissante

Dépose de la grille coulissante déployante SatinGlide™ :

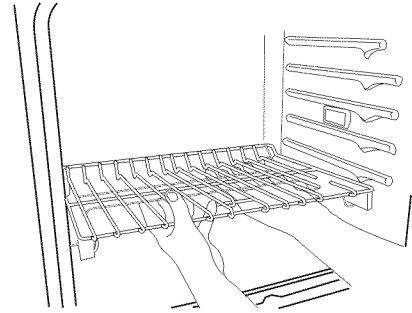
1. Faire glisser la grille complètement à l'intérieur de sorte qu'elle est rétractée et emboîtée sur la tablette coulissante.
2. Employer les 2 mains - soulever ensemble le bord avant de la grille et la tablette coulissante. Pousser doucement ces composants vers la paroi arrière du four pour que le bord avant de la tablette coulissante soit en appui sur la glissière située de chaque côté du four.

Le bord avant de la grille et de la tablette coulissante devrait alors être placé plus haut que le bord arrière.



A. Tablette coulissante
B. Glissière de grille
C. Grille coulissante déployante SatinGlide™

3. Employer les 2 mains - soulever l'arrière de la grille et la tablette coulissante pour placer l'avant et l'arrière au même niveau que la glissière.



4. Tirer la grille et la tablette coulissante hors du four.

Remise en place de la grille coulissante déployante SatinGlide™

1. Employer les 2 mains - saisir l'avant de la grille rétractée et la tablette coulissante. Placer la grille rétractée et la tablette coulissante sur la glissière.
2. Pousser doucement la grille et la tablette coulissante vers l'arrière du four jusqu'au point où le bord arrière de la tablette coulissante s'abaisse.
3. Tirer la grille et la tablette coulissante légèrement vers l'avant jusqu'au point où le bord avant s'abaisse (insertion de la tablette coulissante dans la glissière).

Pour éviter d'endommager les tablettes coulissantes, ne pas placer sur la grille une charge de plus de 25 lb (11,4 kg).

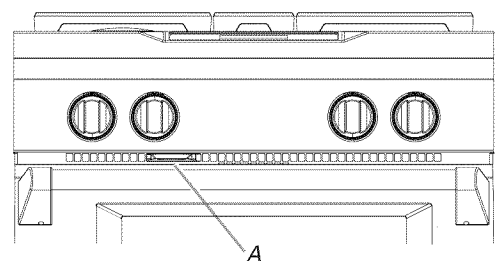
Ne pas laver la grille coulissante déployante SatinGlide™ au lave-vaisselle; un tel lavage éliminerait le lubrifiant et réduirait la qualité du glissement.

Pour d'autres informations, voir la section "Nettoyage général".

Thermomètre à viande

Lorsque l'on n'utilise pas la sonde thermométrique fournie, utiliser le thermomètre à viande pour déterminer si la cuisson de la viande, la volaille ou du poisson correspond au degré de cuisson souhaité. C'est la température interne et non l'apparence qui permet de déterminer le degré de cuisson. Il n'y a pas de thermomètre à viande fourni avec cet appareil. Suivre les instructions du fabricant pour l'utilisation du thermomètre à viande.

Évent du four



A. Évent du four

Ne pas obstruer ni couvrir l'évent du four car il permet à l'air chaud et à l'humidité de s'échapper du four. Le fait d'obstruer ou de couvrir l'évent entraîne une mauvaise circulation de l'air et affecte les résultats de cuisson et de nettoyage. Ne pas placer près de l'évent du four des produits en plastique, en papier ou d'autres articles qui pourraient fondre ou brûler.

Cuisson au four et rôtissage

AVERTISSEMENT



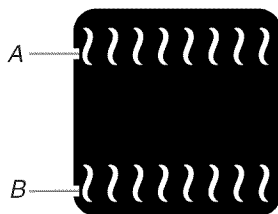
Risque de brûlures

Utiliser des mitaines de four pour retirer la sonde thermométrique.

Ne pas toucher l'élément du grill.

Le non-respect de ces instructions peut causer des brûlures.

Durant la cuisson au four ou le rôtissage, les éléments de cuisson au four et de cuisson au grill s'allument et s'éteignent par intermittence afin de maintenir la température du four.



A. Éléments de cuisson au grill

B. Élément de cuisson au four

Si la porte du four est ouverte pendant la cuisson au four ou le rôtissage, les éléments chauffants (cuisson au four, les deux éléments de cuisson au grill et le ventilateur de convection) s'éteindront environ 30 secondes après l'ouverture de la porte. Ils se mettront de nouveau en marche environ 30 secondes après la fermeture de la porte.

Cuisson au four ou rôtissage :

Avant la cuisson au four ou le rôtissage, placer les grilles tel qu'indiqué à la section "Positionnement des grilles et des ustensiles de cuisson". Lors du rôtissage, il n'est pas nécessaire d'attendre le préchauffage du four avant d'y placer l'aliment, sauf si la recette le recommande.

1. À partir du menu principal, appuyer sur CUISSON AU FOUR.
2. Pour modifier la température pré réglée, entrer la température souhaitée à l'aide des touches numériques. La température peut être réglée entre 170°C et 500°F (77°C et 260°C).
3. Pour entrer une durée de cuisson, appuyer sur DURÉE CUISSON. Entrer la durée de cuisson souhaitée à l'aide des touches numériques.
4. Si l'on utilise une sonde thermométrique, appuyer sur SONDÉ. Entrer la température d'aliment souhaitée à l'aide des touches numériques.
5. Une fois qu'une fonction de réglage de cuisson est terminée, la touche Start (mise en marche) s'allume.
6. Lorsque les réglages sont corrects, appuyer sur START (mise en marche).
7. Si la température du four est inférieure à la température de réglage, la barre de préchauffage sera affichée, indiquant le statut du programme de préchauffage. Lorsque le préchauffage est terminé, un signal sonore retentit.

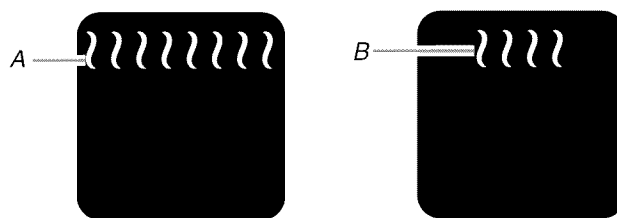
8. Au cours des programmes de préchauffage et de cuisson, une touche Adjust Settings (ajustement des réglages) apparaît dans le coin inférieur droit de l'affichage. Appuyer sur AJUSTER LES RÉGLAGES pour modifier la durée, température et/ou les réglages de la sonde thermométrique. Appuyer sur START pour entrer de nouveaux réglages.

9. Si l'on a déjà réglé la durée de cuisson ou utilisé la sonde thermométrique, le message Vérifier Aliment apparaît à la fin de la durée de cuisson ou une fois que la température est atteinte.

Les signaux sonores de fin de programme se font entendre (si activés), suivis des signaux de rappel à intervalles d'une minute. Appuyer sur OK (d'accord) pour effacer le message, arrêter les signaux sonores de rappel et poursuivre le programme de cuisson en cours.

10. Appuyer sur OFF (arrêt) lorsque la cuisson est terminée.

Réfecteur True-Broil™ Cuisson au grill à pleine puissance et centrale



A. Cuisson au grill à pleine puissance

B. Élément central de cuisson au grill

La cuisson au grill utilise la chaleur radiante directe pour cuire les aliments.

Pendant la cuisson au grill à pleine puissance, les deux éléments (extérieur et intérieur) chauffent. Pendant la cuisson au grill central, seul l'élément intérieur chauffe. Le ou les élément(s) s'allument et s'éteignent par intermittence pour maintenir la température du four.

Si la porte du four est ouverte durant la cuisson au grill, l'élément/les éléments de cuisson au grill s'éteindront au bout d'environ 30 secondes. Lorsque la porte du four est fermée, les éléments sont réactivés environ 30 secondes plus tard.

- Pour de meilleurs résultats, utiliser une lèchefrite et une grille. La lèchefrite est conçue pour laisser s'écouler les jus et aider à éviter les éclaboussures et la fumée. Il est possible de commander un ensemble de lèchefrite. Voir la section "Assistance ou service" pour commander. Demander la pièce numéro W10123240.
- Pour un écoulement approprié, ne pas couvrir la grille de papier d'aluminium. Le fond de la lèchefrite peut être garni de papier d'aluminium pour en faciliter le nettoyage.
- Enlever l'excès de gras pour réduire les éclaboussures. Entailler le gras résiduel sur les côtés pour éviter que la viande se recroqueville.
- Sortir la grille jusqu'à la butée d'arrêt avant de tourner ou d'enlever les aliments. Utiliser une pince pour tourner les aliments et éviter la perte de jus. Il est possible qu'il ne soit pas nécessaire de tourner les coupes très minces de poisson, de volaille ou de viande.
- Après la cuisson au grill, sortir la lèchefrite du four en même temps que l'aliment. Ce qui reste au fond de la lèchefrite cuira si on la laisse dans le four encore chaud, rendant le nettoyage plus difficile.

Cuisson au gril :

Avant la cuisson au gril, placer la grille tel qu'indiqué dans le tableau de cuisson au gril.

Pendant la cuisson au gril, le changement de température permet un contrôle plus précis. Plus la température est basse, plus la cuisson est lente. Les morceaux épais et de forme irrégulière de viande, de poisson et de volaille cuisent mieux à des températures de cuisson au gril plus basses.

Placer l'aliment sur la grille de la lèchefrite, puis placer celle-ci au centre de la grille du four, avec le côté le plus long de la lèchefrite parallèle à la porte du four. Il n'est pas nécessaire de préchauffer le four avant d'y placer l'aliment, sauf si la recette le recommande.

Fermer la porte.

1. À partir du menu principal, appuyer sur CUISSON AU GRIL.
2. Pour modifier la température préréglée, entrer la température souhaitée à l'aide des touches numériques. La température de cuisson au gril peut être réglée entre 300°F et 500°F (149°C et 260°C).
3. Par défaut, le four est réglé au niveau de cuisson au gril à pleine puissance. Sur les modèles de four de 30" (76,2 cm) et de 36" (91,4 cm) uniquement, appuyer sur CENTRE si désiré.
4. Une fois qu'une fonction de réglage de cuisson est terminée, la touche Start (mise en marche) s'allume.
5. Lorsque les réglages sont corrects, appuyer sur START (mise en marche).
6. Au cours des programmes de cuisson, une touche Ajuster les réglages apparaît dans le coin inférieur droit de l'affichage. Appuyer sur AJUSTER LES RÉGLAGES pour modifier la température et/ou les réglages Complet/centre souhaités. Appuyer sur START pour entrer de nouveaux réglages.
7. Appuyer sur OFF (arrêt) lorsque la cuisson est terminée.

TABLEAU DE CUISSON AU GRIL

Pour des résultats optimaux, placer l'aliment à plus de 3" (7,0 cm) des éléments de cuisson au gril; la position de la grille au niveau 3 est recommandée. Pour le schéma, voir la section "Positionnement des grilles et ustensiles de cuisson".

Pour la plupart des aliments, on recommande un réglage de température de 500°F (260°C).

Les durées de cuisson sont citées à titre indicatif seulement; on peut les ajuster en fonction des aliments et des goûts personnels.

ALIMENT	DURÉE DE CUISSON (en minutes)
Bœuf	
Steak 1" à 1¼" (2,5 cm à 3 cm) d'épaisseur saignant à point	6-12
à point	10-15
bien cuit	13-18
Porc	
Côtelettes de porc 1" (2,5 cm) d'épaisseur à point	11-16

ALIMENT	DURÉE DE CUISSON (en minutes)
Agneau	
Côtelettes d'agneau 1" (2,5 cm) d'épaisseur saignant à point	6-13 11-16
Viandes hachées	
Bœuf haché, galettes de porc ou d'agneau* ¾" (2 cm) d'épaisseur bien cuit	10-14
Poulet	
Poulet morceaux non désossés** (2" à 2½" [5 cm à 6,3 cm]) morceaux désossés (4 oz [113 g])	25-35 11-17
Poisson	
Poisson Filets ½" à ¾" (1,25 à 2 cm) d'épaisseur Steaks de 1" (2,5 cm) d'épaisseur	5-9 12-17

*Placer jusqu'à 12 galettes, espacées de façon égale, sur la grille de la lèchefrite.

**On recommande un réglage de température de 450° (232°C).

Cuisson par convection véritable à double ventilateur

La cuisson par convection véritable à double ventilateur utilise 2 ventilateurs (les fours de 18" [45,7 cm] [sur certains modèles] comportent 1 seul ventilateur) dans le four pour faire circuler l'air chaud en permanence. Ceci répartit la chaleur de façon plus uniforme que le mouvement naturel de l'air dans un four thermique standard. Ce déplacement de l'air chaud aide à maintenir une température constante dans tout le four, permettant de cuire les aliments plus uniformément, les faisant croustiller en surface tout en les gardant tendres à l'intérieur et permettant de rendre le pain encore plus croustillant.

Il est normal que le ventilateur de convection fonctionne par intermittence durant le programme de cuisson.

On peut cuire les produits de boulangerie et mets en sauce en baissant la température de cuisson de 25°F (14°C). Il n'est pas nécessaire de réduire la température lors de la cuisson des viandes et de la volaille. Les durées de cuisson pour les grosses dindes et autre type de volaille peuvent être plus courtes lors de l'utilisation de la fonction de cuisson par convection.

- Il est important de ne pas couvrir les aliments avec des couvercles ou du papier d'aluminium de telle sorte que la surface reste exposée au déplacement de l'air, permettant ainsi le brunissage et le croustillant.
- Éviter au maximum la perte de chaleur en ouvrant la porte du four seulement lorsque c'est nécessaire.
- Choisir des tôles à biscuits sans bords et des plats de rôtissage à côtés plus bas pour permettre à l'air de circuler librement autour de l'aliment.

- Vérifier la cuisson des produits de boulangerie quelques minutes avant le temps de cuisson minimal, avec un cure-dents par exemple.

⚠ AVERTISSEMENT



Risque de brûlures

Utiliser des mitaines de four pour retirer la sonde thermométrique.

Ne pas toucher l'élément du grill.

Le non-respect de ces instructions peut causer des brûlures.

- Utiliser un thermomètre à viande ou la sonde de cuisson pour déterminer le degré de cuisson des viandes et de la volaille. Vérifier la température du porc et de la volaille à 2 ou 3 endroits.

Cuisson au four par convection

⚠ AVERTISSEMENT



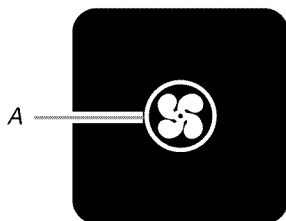
Risque de brûlures

Utiliser des mitaines de four pour retirer la sonde thermométrique.

Ne pas toucher l'élément du grill.

Le non-respect de ces instructions peut causer des brûlures.

L'élément de convection est dissimulé dans le panneau arrière de la cavité du four et assisté par le ventilateur de convection pour assurer un chauffage efficace et équilibré.



A. Élément de convection (dissimulé) et ventilateur

La cuisson au four par convection peut être utilisée pour cuire des gâteaux délicats et des pâtisseries ainsi que des aliments sur plusieurs grilles. Il est utile de décaler les articles sur les grilles pour permettre une circulation plus uniforme de la chaleur. Si le four est plein, il faudra peut-être allonger la durée de cuisson.

Lors de la cuisson au four d'un repas comportant plusieurs types différents d'aliments, veiller à choisir des recettes nécessitant des températures semblables. Prévoir un espace d'au moins 1" (2,5 cm) entre l'ustensile de cuisson et les parois du four.

Lors du préchauffage pour la cuisson au four par convection, les éléments de convection, de cuisson au grill et l'élément CleanBake™ chauffent tous la cavité du four. Après le préchauffage, l'élément de convection, l'élément CleanBake™ et le ventilateur fonctionneront par intermittence pour maintenir la température du four.

Si la porte du four est ouverte pendant la cuisson par convection, le ventilateur s'éteint immédiatement lorsque la porte est ouverte et s'allume immédiatement lorsque la porte est fermée. Les éléments de convection, de cuisson au four et de cuisson au grill (seulement pendant le préchauffage) s'éteignent environ 30 secondes après l'ouverture de la porte. Ils se remettent de nouveau en marche environ 30 secondes après la fermeture de la porte.

- Réduire la température de la recette de 25°F (14°C). Il peut aussi être nécessaire de réduire la durée de cuisson.

Cuisson au four par convection :

Avant la cuisson au four par convection, placer les grilles tel qu'indiqué à la section "Positionnement des grilles et des ustensiles de cuisson". Si l'on utilise 2 grilles, les placer sur les glissières 1 et 4. Si l'on utilise 3 grilles, les placer sur les glissières 1, 3 et 5.

1. À partir du menu principal, appuyer sur CUISSON PAR CONVECTION.
2. Appuyer sur CUISSON AU FOUR.
3. Pour modifier la température pré réglée, entrer la température souhaitée à l'aide des touches numériques. La température de cuisson au four par convection peut être réglée entre 170°C et 500°F (77°C et 260°C).
4. Pour entrer la durée de cuisson, appuyer sur DURÉE CUISSON. Entrer la durée de cuisson souhaitée à l'aide des touches numériques.
5. Si l'on utilise une sonde thermométrique, appuyer sur SONDÉ et entrer la température souhaitée de l'aliment à l'aide des touches numériques.
6. Une fois qu'une fonction de réglage de cuisson est terminée, la touche Start (mise en marche) s'allume.
7. Lorsque les réglages sont corrects, appuyer sur START (mise en marche).
8. Au cours des programmes de préchauffage et de cuisson, une touche Ajuster les réglages apparaît dans le coin inférieur droit de l'affichage. Appuyer sur AJUSTER LES RÉGLAGES pour modifier la durée, température et/ou les réglages de la sonde thermométrique. Appuyer sur START pour entrer de nouveaux réglages.
9. Si la température du four est inférieure à la température de réglage, la barre de préchauffage sera affichée, indiquant le statut du programme de préchauffage. Lorsque le préchauffage est terminé, un signal sonore retentit.
10. Si l'on a déjà réglé la durée de cuisson ou utilisé la sonde thermométrique, le message Vérifier Aliment apparaît à la fin de la durée de cuisson ou une fois que la température est atteinte.

Les signaux sonores de fin de programme se font entendre (si activés), suivis des signaux de rappel à intervalles d'une minute. Appuyer sur OK (d'accord) pour effacer le message, arrêter les signaux sonores de rappel et poursuivre le programme de cuisson en cours.

11. Appuyer sur OFF (arrêt) lorsque la cuisson est terminée.

Rôtissage par convection

AVERTISSEMENT



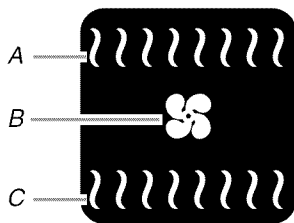
Risque de brûlures

Utiliser des mitaines de four pour retirer la sonde thermométrique.

Ne pas toucher l'élément du gril.

Le non-respect de ces instructions peut causer des brûlures.

Le rôtissage par convection est utilisé pour le rôtissage des viandes et de la volaille. Durant le rôtissage par convection, les éléments CleanBake™ et de cuisson au gril s'allument et s'éteignent par intermittence pour maintenir le four à température constante, tandis que le ventilateur fait circuler l'air chaud de façon continue.



A. Chaleur de cuisson au gril
B. Ventilateur de convection
C. Chaleur de cuisson au four

Si la porte du four est ouverte pendant le rôtissage par convection, le ventilateur s'éteint immédiatement lorsque la porte est ouverte et s'allume immédiatement lorsque la porte est fermée. Les éléments de cuisson au four et de cuisson au gril s'éteignent environ 30 secondes après l'ouverture de la porte. Ils se remettent de nouveau en marche environ 30 secondes après la fermeture de la porte.

- Il n'est pas nécessaire de réduire la température du four lors du rôtissage avec convection. Les durées de rôtissage peuvent être plus courtes pour la volaille.
- Pour des résultats optimaux, utiliser la lèchefrite, la grille de lèchefrite et la grille de rôtissage conçues pour la récupération des jus de cuisson et qui aident à éviter les éclaboussures et la fumée.

Il est possible de commander un ensemble de lèchefrite. Voir la section "Assistance au service" pour commander. Demander la pièce numéro W10123240.

Rôtissage par convection :

Avant le rôtissage par convection, placer les grilles tel qu'indiqué à la section "Positionnement des grilles et des ustensiles de cuisson". Il n'est pas nécessaire de préchauffer le four avant d'y placer l'aliment, sauf si la recette le recommande.

Utiliser la grille de rôtissage au-dessus de la lèchefrite et de sa grille. Ce positionnement garde l'aliment au-dessus de la grille et permet la libre circulation de l'air autour de toutes les surfaces.

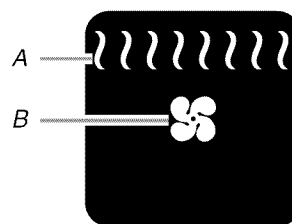
1. À partir du menu principal, appuyer sur CUISSON PAR CONVECTION.

2. Appuyer sur RÔTISSAGE.
3. Pour modifier la température pré réglée, entrer la température souhaitée à l'aide des touches numériques. La température de rôtissage par convection peut être réglée entre 170°C et 500°F (77°C et 260°C).
4. Pour modifier la durée de cuisson, appuyer sur DURÉE CUISSON. Entrer la durée de cuisson souhaitée à l'aide des touches numériques.
5. Si l'on utilise une sonde de cuisson, appuyer sur SONDÉ et entrer la température souhaitée de l'aliment à l'aide des touches numériques.
6. Une fois qu'une fonction de réglage de cuisson est terminée, la touche Start (mise en marche) s'allume.
7. Lorsque les réglages sont corrects, appuyer sur START (mise en marche).
8. Au cours des programmes de préchauffage et de cuisson, une touche Ajuster les réglages apparaît dans le coin inférieur droit de l'affichage. Appuyer sur AJUSTER LES RÉGLAGES pour modifier la durée, température et/ou les réglages de la sonde thermométrique. Appuyer sur START pour entrer de nouveaux réglages.
9. Si la température du four est inférieure à la température de réglage, la barre de préchauffage sera affichée, indiquant le statut du programme de préchauffage. Lorsque le préchauffage est terminé, un signal sonore retentit.
10. Si l'on a déjà réglé la durée de cuisson ou utilisé la sonde thermométrique, le message Vérifier Aliment apparaît à la fin de la durée de cuisson ou une fois que la température est atteinte.

Les signaux sonores de fin de programme se font entendre (si activés), suivis des signaux de rappel à intervalles d'une minute. Appuyer sur OK pour effacer le message, arrêter les signaux sonores de rappel et poursuivre le programme de cuisson en cours.

11. Appuyer sur OFF (arrêt) lorsque la cuisson est terminée.

Cuisson au gril par convection



A. Chaleur de cuisson au gril
B. Ventilateur de convection

Durant la cuisson au gril par convection, les éléments de cuisson au gril s'allument et s'éteignent par intermittence pour maintenir le four à température constante pendant que le ventilateur fait circuler l'air chaud de façon continue.

La température est pré réglée à 325°F (163°C), mais elle peut être modifiée. Les durées de cuisson varient en fonction de la position de la grille et de la température et il peut être nécessaire de les ajuster.

Si la porte du four est ouverte pendant la cuisson au gril par convection, le ventilateur s'éteint immédiatement lorsque l'on ouvre la porte et se réactive immédiatement lorsque la porte est fermée. Les éléments de cuisson au gril s'éteignent environ 30 secondes après l'ouverture de la porte. Ils se remettent de nouveau en marche environ 30 secondes après la fermeture de la porte.

Cuisson au gril par convection :

Avant la cuisson au gril par convection, voir la section "Cuisson au gril à pleine puissance et centrale" pour des renseignements généraux sur la cuisson au gril. Positionner la grille.

Laisser le four préchauffer pendant 5 minutes. Placer l'aliment sur la grille non chauffée de la lèchefrite, puis placer celle-ci au centre de la grille du four, avec le côté le plus long de la lèchefrite parallèle à la porte du four.

Fermer la porte.

1. À partir du menu principal, appuyer sur CUISSON PAR CONVECTION.
2. Appuyer sur CUISSON AU GRIL.
3. Pour modifier la température préréglée, entrer la température souhaitée à l'aide des touches numériques. La température de cuisson au gril par convection peut être réglée entre 300°F et 500°F (149°C et 260°C).
4. Une fois qu'une fonction de réglage de cuisson est terminée, la touche Start (mise en marche) s'allume.
5. Lorsque les réglages sont corrects, appuyer sur START (mise en marche).
6. Appuyer sur OFF (arrêt) lorsque la cuisson est terminée.

Conversion EasyConvect™

Les températures et durées de cuisson par convection sont différentes de celles d'une cuisson standard. La conversion EasyConvect™ réduit automatiquement les températures et/ou durées de cuisson des recettes standard pour la cuisson par convection.

La conversion peut ne pas être exacte car les aliments sont regroupés en catégories générales. Afin d'assurer des résultats de cuisson satisfaisants, le four vous incitera à vérifier la cuisson des aliments à la fin de la période de cuisson non différée. Utiliser le tableau suivant comme guide.

RÉGLAGE	ALIMENTS
Viandes et volaille	Rôtis : Porc, bœuf et jambon Poulet : entier et en morceaux Pain de viande Pommes de terre au four Les dindes et les grosses volailles ne sont pas mentionnées car leur durée de cuisson est variable.
Biscuits et gâteaux	Biscuits, gâteaux
Pizza et collations	Pizza, plats cuisinés : frites, pépites et bâtonnets de poisson
Biscuits et pain	Biscuits, pains : Aliments à cuisson rapide et à base de levure
Mets en sauce et poisson	Poisson, mets en sauce : Y compris les plats surgelés et les soufflés
Tartes	Tartes : Fruits et flan

Utilisation :

1. À partir du menu principal, appuyer sur CUISSON PAR CONVECTION.
2. Appuyer sur EASYCONVECT.
3. Sélectionner la catégorie d'aliment appropriée en se servant du tableau comme référence.
4. Entrer la température standard à l'aide des touches numériques.
5. Entrer la durée de cuisson standard à l'aide des touches numériques.

6. Une fois qu'une fonction de réglage de cuisson est terminée, la touche Start (mise en marche) s'allume.
7. Lorsque les réglages sont corrects, appuyer sur START (mise en marche). La commande ajuste automatiquement la durée et/ou la température pour la cuisson par convection.
8. Si la température du four est inférieure à la température de réglage, la barre de préchauffage sera affichée, indiquant le statut du programme de préchauffage. Lorsque le préchauffage est terminé, un signal sonore retentit.
9. Au cours des programmes de préchauffage et de cuisson, une touche Ajuster les réglages apparaît dans le coin inférieur droit de l'affichage. Appuyer sur AJUSTER LES RÉGLAGES pour modifier la durée et la température souhaitées. Appuyer sur START pour entrer de nouveaux réglages.
10. Le message Vérifier Aliment apparaît à la fin de la durée de cuisson ou une fois que la température réglée a été atteinte.
Les signaux sonores de fin de programme se font entendre (si activés), suivis des signaux de rappel à intervalles d'une minute. Appuyer sur OK pour effacer le message, arrêter les signaux sonores de rappel et poursuivre le programme de cuisson en cours.
11. Appuyer sur OFF (arrêt) lorsque la cuisson est terminée.

Levée du pain

La levée du pain prépare la pâte pour la cuisson en activant la levure. Sauf indication contraire de la recette, il est recommandé de procéder à une double levée.

Pour faire lever la pâte :

Avant la première levée de pain, placer la pâte dans un saladier légèrement graissé et couvrir sans serrer avec du papier ciré recouvert de graisse végétale. Placer le bol sur la position de grille n° 2. Voir "Positionnement des grilles et ustensiles de cuisson" pour le dessin. Fermer la porte.

1. À partir du menu principal, sélectionner Levée du pain. L'afficheur indiquera 100°F (38°C).
2. Pour entrer la durée de levée, appuyer sur DURÉE.
3. Entrer la durée de cuisson souhaitée à l'aide des touches numériques.
4. Une fois qu'une fonction de réglage de la levée est terminée, la touche Start (mise en marche) s'allume.
5. Lorsque les réglages sont corrects, appuyer sur START (mise en marche).
Laisser la pâte lever jusqu'à ce qu'elle ait presque doublé de volume, en vérifiant au bout de 20 à 25 minutes. La durée de levée peut varier en fonction du type de pâte et de la quantité.
6. Si la durée de levée a été réglée, le message Vérifier Aliment apparaît à la fin de la durée de cuisson.
Les signaux sonores de fin de programme se font entendre (si activés), suivis des signaux de rappel à intervalles d'une minute. Appuyer sur OK pour effacer le message, arrêter les signaux sonores de rappel et poursuivre le programme de cuisson en cours.
7. Appuyer sur OFF (arrêt) lorsque la levée est terminée.

Avant d'effectuer une seconde levée, mettre la pâte en forme, la placer dans un/des ustensile(s) de cuisson au four et couvrir sans serrer avec une pellicule plastique, enduite d'aérosol de cuisson antiadhésif. Reprendre le même placement et vérifier que les étapes ci-dessus ont bien été suivies. Avant la cuisson au four, retirer la pellicule plastique.

CUISSON AVEC INJECTION DE VAPEUR

La cuisson avec injection de vapeur présente les avantages de la cuisson par convection en aidant à maintenir l'humidité, la texture et la saveur dans l'aliment. La vapeur ou l'humidité est automatiquement ajoutée au cours des programmes de cuisson.

Il existe 2 catégories de cuisson avec injection de vapeur : Cuisson à la vapeur automatique et Cuisson à la vapeur manuelle.

- La vapeur supprime le besoin d'utiliser des emballages de papier sulfurisé (pour la cuisson du poisson), la cuisson au bain-marie et la vaporisation durant le processus de cuisson.
- Lors de la cuisson à la vapeur, placer la viande, la volaille, les fruits de mer, les légumes, les desserts et les mets en sauce dans un four froid. Pour obtenir les meilleurs résultats de cuisson, laisser le four refroidir après la cuisson précédente avant une cuisson à la vapeur. Si la température du four est supérieure à 170°F (77°C), un message apparaît indiquant que le four est au-dessus de 170°F (77°C) et recommandant de le laisser refroidir avant de continuer.
- Si le four est encore chaud d'une précédente utilisation, les durées de cuisson peuvent être plus courtes.
- Des niveaux optimaux d'humidité sont introduits au moment approprié au cours des programmes de cuisson.
- Des programmes spécialement conçus améliorent le brunissage des viandes, de la volaille et du pain.
- Le préchauffage est nécessaire pour la cuisson du pain.
- Le ventilateur de convection fonctionne en permanence au cours de toutes les fonctions de cuisson à la vapeur sauf pour la cuisson des fruits de mer et des desserts.
- Lorsque la durée de cuisson avec injection de vapeur s'est écoulée, le programme de cuisson au four se poursuit jusqu'à ce qu'on appuie sur Off (arrêt).

Consulter la section "Tableaux de cuisson" lors de l'utilisation de la cuisson avec injection de vapeur et pour vous aider à adapter vos propres recettes.

Cuisson à la vapeur automatique

La fonction Cuisson à la vapeur automatique comporte 7 réglages : Viandes, Volaille, Fruits de mer, Pains, Légumes, Desserts et Mets en sauce. Les réglages de Cuisson à la vapeur automatique comportent des pré-réglages de température et de durée pour vous guider dans le processus de cuisson. Choisir le type d'aliment à cuire, et une température et une durée suggérées apparaîtront sur l'afficheur. La température et la durée peuvent être modifiées en fonction des recommandations de la recette, si désiré.

REMARQUE : Pour des résultats de cuisson optimaux, éviter d'ouvrir la porte lors de la cuisson avec injection de vapeur. Si la porte du four est ouverte, la production de vapeur est automatiquement arrêtée jusqu'à ce que la porte soit fermée. Si la porte est ouverte lors de la cuisson à la vapeur, un message apparaît indiquant que la porte est ouverte et qu'il faut la fermer pour reprendre la cuisson.

Durée et tableau de température de la fonction Cuisson à la vapeur automatique

Fonction Cuisson à la vapeur automatique	Température par défaut	Brunissage	Durée de cuisson	Sonde
Viande	325°F (160°C)	Moyen	1:30	Arrêt
Volaille	325°F (160°C)	Moyen	1:30	Arrêt
Fruits de mer	250°F (170°C)	Arrêt	0:25	
Pain	400°F (205°C)		0:30	
Légumes	250°F (135°C)	Arrêt	0:20	
Desserts	275°F (135°C)		0:30	
Mets en sauce	350°F (160°C)	Arrêt	0:30	

Réglages de cuisson à la vapeur automatique

Viandes

Le réglage Viandes donne le meilleur résultat avec des coupes tendres de viande qui nécessiteraient habituellement d'être rôties.

Le réglage Viandes comporte 2 phases. Au cours de la première phase, la température du four augmente automatiquement au-dessus de la température réglée pour des conditions de brunissage optimales.

- La plupart du brunissage aura lieu durant cette phase; ceci est normal.

Au cours de la deuxième phase, la température est ramenée à la température réglée. La vapeur est ajoutée pour fournir un environnement humide afin de maintenir la jutosité de la viande.

- Au cours de cette phase, on constatera très peu de brunissage extérieur.

REMARQUE : Le fait de recommencer le programme entraînera une cuisson et/ou un brunissage excessifs des aliments. Il est préférable de modifier la durée et/ou la température.

En cas d'utilisation du réglage Viandes :

- Pour obtenir les meilleurs résultats, utiliser une lèchefrite, une grille et une grille de rôtissage conçues pour laisser s'écouler les jus et aider à éviter les éclaboussures et la fumée.

Il est possible de commander un ensemble de lèchefrite si vous souhaitez en acheter un. Voir la section "Assistance ou service" pour commander. Demander la pièce numéro W10123240.

- Le préchauffage n'est pas recommandé.
- Réduire la température de cuisson habituelle de 25°F (15°C).
- La durée du rôtissage peut nécessiter d'être réduite jusqu'à 20 pour cent par rapport aux durées du rôtissage par convection ou de rôtissage traditionnel.
- Utiliser un thermomètre à viande pour déterminer la cuisson des aliments.

Avec le rôtissage traditionnel, le temps de repos est inclus avant le découpage de la viande. La température interne augmente en général de 5°F à 10°F (2°C à 5°C) au cours du temps de repos. En cas de rôtissage avec le réglage Viandes - cuisson à la vapeur automatique, la température interne peut augmenter de 15°F à 20°F (5°C à 10°C) au cours du temps de repos; par conséquent, il est nécessaire d'arrêter la cuisson et de retirer la viande à une température interne inférieure à celle applicable au rôtissage conventionnel.

Volaille

Le réglage Volaille donne les meilleurs résultats avec la volaille qui serait rôtie habituellement sans vapeur.

Le réglage Volaille comporte 2 phases. Au cours de la première phase, la température du four augmente automatiquement au-dessus de la température réglée pour des conditions de brunissage optimales.

- La plupart du brunissage aura lieu durant cette phase. Ceci est normal.

Au cours de la deuxième phase, la température est ramenée à la température réglée. La vapeur est ajoutée pour fournir un environnement humide afin de maintenir la jutosité de la volaille.

- Au cours de cette phase, on constatera très peu de brunissage extérieur.

REMARQUE : Le fait de recommencer le programme entraînera une cuisson et/ou un brunissage excessifs des aliments. Il est préférable de modifier la durée et/ou la température.

En cas d'utilisation du réglage Volaille :

- Utiliser une lèchefrite, une grille et une grille de rôtissage pour des résultats optimaux.
- Le préchauffage n'est pas recommandé.
- La durée du rôtissage peut nécessiter d'être réduite jusqu'à 20 pour cent par rapport aux durées du rôtissage par convection ou de rôtissage traditionnel.
- Utiliser un thermomètre à viande pour déterminer la cuisson des aliments.

Fruits de mer

Le réglage Fruits de mer cuit à une température inférieure à celle utilisée pour la cuisson au four traditionnelle. Ceci permet d'obtenir un poisson humide, tendre, cuit uniformément avec des résultats similaires à ceux obtenus avec la cuisson du poisson à la vapeur dans du papier sulfurisé. Vous pouvez faire cuire des fruits de mer, des filets, des darnes ou le poisson entier avec ce réglage.

- Utiliser une lèchefrite, une grille ou un plat de cuisson aux bords peu élevés pour des résultats optimaux.
- Le préchauffage n'est pas recommandé.
- Le ventilateur de convection s'allume à mi-programme et reste allumé jusqu'à la fin du programme.
- Au cours du programme, il n'y aura peu ou pas de brunissage. Si un brunissage est désiré, utiliser un niveau de brunissage plus élevé.

Pains

Le réglage Pains donne les meilleurs résultats lors de cuisson au four de pain à la levure. Grâce à l'ajout de vapeur, il n'est plus nécessaire de vaporiser ou d'ajouter de l'eau dans le four pour obtenir une croûte croustillante et un intérieur humide.

- Le préchauffage est nécessaire.
- Réduire la température de cuisson habituelle de 25°F (15°C).

- Les durées de cuisson au four peuvent être légèrement inférieures à celles de la cuisson standard.
- En cas d'utilisation d'une pierre de cuisson, placer celle-ci dans le four sur la grille en position 1 avant le début du programme. Pour la cuisson au four d'autres pains, utiliser la position de grille 1 ou 2.

Le four préchauffe à une température supérieure à la température réglée. Il ajoute ensuite de la vapeur afin que la pâte à pain lève dans un environnement humide, chaud, c'est-à-dire des conditions idéales pour la levée de la pâte et la consistance croustillante.

Après le préchauffage, placer la pâte à pain dans le four aussitôt que possible et fermer la porte. La température du four est ramenée à la température réglée et une petite quantité d'humidité est ajoutée. Le reste du programme se fait avec une chaleur sèche pour un brunissage optimal.

Légumes

Le réglage Légumes donne des résultats similaires à la cuisson à la vapeur sur une table de cuisson ou au micro-ondes. Ce réglage permet de cuire à la vapeur une plus grande quantité de légumes que sur une table de cuisson ou un micro-ondes.

- Le préchauffage n'est pas recommandé.
- Lors de la cuisson à la vapeur de légumes, utiliser le réglage par défaut de 250°F et placer les légumes sur une seule couche dans un plat de cuisson à bords peu élevés. Les épis de maïs peuvent être cuits directement sur la grille du four.
- Vérifier la cuisson des légumes assez tôt. La fraîcheur des légumes affecte la durée de cuisson requise.
- La cuisson à la vapeur des artichauts, betteraves, haricots verts et brocolis n'est pas recommandée.

Desserts

Le réglage Desserts donne les meilleurs résultats pour les desserts délicats tels que la crème brûlée et le gâteau au fromage, desserts habituellement préparés au bain-marie. Ce réglage fonctionne bien aussi avec les plats à base de crème et les soufflés.

- Le préchauffage n'est pas recommandé.
- Le ventilateur de convection s'allume à mi-programme et s'éteint avant la fin du programme.
- Réduire la température de cuisson habituelle de 25°F à 50°F (15°C à 30°C).
- Permet au centre du dessert de cuire sans cuire excessivement les bords.
- Il n'est pas nécessaire de faire cuire au bain-marie.

Mets en sauce

Le réglage Mets en sauce permet de faire cuire un mets en sauce non couvert sans trop faire brunir les bords ou le rendre sec.

- Le préchauffage n'est pas recommandé.
- Il n'est pas recommandé de couvrir les aliments.
- La durée de cuisson peut nécessiter d'être réduite jusqu'à 20 pour cent par rapport aux durées de cuisson traditionnelles.
- Réduire la température de cuisson habituelle de 25°F (15°C).
- Permet au centre du mets en sauce de cuire sans cuire excessivement les bords.
- Le degré de brunissage peut être contrôlé en ajustant le niveau de brunissage.

Cuisson avec le réglage Cuisson à la vapeur automatique :

⚠ AVERTISSEMENT



Risque de brûlures

Utiliser des mitaines de four pour retirer la sonde thermométrique.

Ne pas toucher l'élément du gril.

Le non-respect de ces instructions peut causer des brûlures.

Avant la cuisson au four et le rôtissage, placer les grilles tel qu'indiqué à la section "Positionnement des grilles et des ustensiles de cuisson".

1. Dans le menu principal, appuyer sur CUISSON À LA VAPEUR.
2. Appuyer sur CUISS. VAP. AUTO.
3. Appuyer sur le réglage Cuiss. vap. auto. désiré.
4. Pour changer la température, entrer la température désirée à l'aide des touches numériques.
5. Pour changer une durée de cuisson, appuyer sur DURÉE CUISSON. Entrer la durée de cuisson désirée en utilisant les touches numériques.
6. Pour utiliser la sonde thermométrique, appuyer sur SONDE et entrer la température des aliments désirée à l'aide des touches numériques.
7. Pour changer le niveau de brunissage, appuyer sur BRUNISSAGE. Appuyer sur + (plus) ou - (moins) pour augmenter ou diminuer le niveau désiré. Appuyer sur OK.
8. Une fois qu'une fonction de réglage de cuisson est terminée, la touche Start (démarrer) s'allume.
9. Lorsque les réglages sont corrects, appuyer sur START (démarrer).
Un message apparaît indiquant de mettre les aliments au four. Placer les aliments dans le four et appuyer sur OK. Relier la sonde thermométrique si besoin.
10. Pendant le programme de cuisson, une touche d'ajustement des réglages apparaît dans le coin inférieur droit de l'affichage. Appuyer sur AJUSTER RÉGLAGES pour changer les réglages de durée, de température, de sonde et/ou de brunissage désirés. Appuyer sur START (démarrer) pour entrer de nouveaux réglages.
11. Si la durée de cuisson a été réglée ou la sonde thermométrique utilisée, le message Vérifier aliment apparaîtra à la fin de la durée de cuisson ou une fois que la température réglée aura été atteinte.

Les signaux sonores de fin de programme seront émis (si activés), suivis des signaux de rappel à intervalles d'une minute. Appuyer sur OK pour effacer le message, arrêter les signaux de rappel et continuer le programme de cuisson en cours.

12. Appuyer sur OFF (arrêt) lorsque la cuisson est terminée.

REMARQUE : Pour les pains, si la température du four est inférieure à la température réglée, la barre de préchauffage s'affichera pour indiquer le statut du programme de préchauffage. Lorsque le préchauffage est terminé, un signal est émis et un message indique de mettre les aliments au four.

Cuisson à la vapeur manuelle

⚠ AVERTISSEMENT



Risque de brûlures

Utiliser des mitaines de four pour retirer la sonde thermométrique.

Ne pas toucher l'élément du gril.

Le non-respect de ces instructions peut causer des brûlures.

La cuisson à la vapeur manuelle permet de régler la température, la durée de cuisson, le programme de préchauffage, le degré de brunissage et la quantité de vapeur utilisée lors du processus de cuisson.

Cuisson avec le réglage Cuisson à la vapeur manuelle :

Avant la cuisson au four et le rôtissage, placer les grilles tel qu'indiqué à la section "Positionnement des grilles et des ustensiles de cuisson".

1. Dans le menu principal, appuyer sur CUISSON À LA VAPEUR.
2. Appuyer sur CUISS. VAP. MANUELLE.
3. Appuyer sur le réglage de cuisson à la vapeur manuelle.
4. Pour changer la température, entrer la température désirée à l'aide des touches numériques.
5. Pour changer une durée de cuisson, appuyer sur DURÉE CUISSON. Entrer la durée de cuisson désirée en utilisant les touches numériques.
6. Pour utiliser la sonde thermométrique, appuyer sur SONDE et entrer la température des aliments désirée à l'aide des touches numériques.
7. Pour préchauffer, appuyer sur PRÉCHAUFFAGE. Appuyer sur MARCHÉ. Appuyer sur OK.
8. Pour changer le niveau de brunissage, appuyer sur BRUNISSAGE. Appuyer sur + (plus) ou - (moins) pour augmenter ou diminuer le niveau désiré. Appuyer sur OK.
9. Pour changer le niveau d'intensité de la vapeur, appuyer sur VAPEUR. Appuyer sur + (plus) ou - (moins) pour augmenter ou diminuer le niveau désiré. Appuyer sur OK.
10. Une fois qu'une fonction de réglage de cuisson est terminée, la touche Start (démarrer) s'allume.
11. Lorsque les réglages sont corrects, appuyer sur START (démarrer).

Un message apparaît indiquant de mettre les aliments au four. Placer les aliments dans le four et appuyer sur OK. Relier la sonde thermométrique si besoin.

12. Pendant le programme de préchauffage (s'il est utilisé) et de cuisson, une touche d'ajustement des réglages apparaît dans le coin inférieur droit de l'affichage. Appuyer sur AJUSTER RÉGLAGES pour changer les réglages de durée, de température, de sonde et/ou de brunissage désirés. Appuyer sur START (démarrer) pour entrer de nouveaux réglages.

13. Si la durée de cuisson a été réglée ou la sonde de température utilisée, le message Vérifier aliment apparaîtra à la fin de la durée de cuisson ou une fois que la température réglée aura été atteinte.

Les signaux sonores de fin de programme seront émis (si activés), suivis des signaux de rappel à intervalles d'une minute. Appuyer sur OK pour effacer le message, arrêter les signaux de rappel et continuer le programme de cuisson en cours.

14. Appuyer sur OFF (arrêt) lorsque la cuisson est terminée.

REMARQUE : Le préchauffage lors de la cuisson à la vapeur est généralement recommandé uniquement pour les pains. Si le préchauffage est sélectionné et que la température du four est inférieure à la température réglée, la barre de préchauffage s'affichera pour indiquer le statut du programme de préchauffage. Lorsque le préchauffage est terminé, un signal est émis et un message indique de mettre les aliments au four.

Garder au chaud

AVERTISSEMENT

Risque d'empoisonnement alimentaire

Ne pas laisser des aliments dans un four plus d'une heure avant ou après la cuisson.

Le non-respect de cette instruction peut causer un empoisonnement alimentaire ou une maladie.

IMPORTANT : Les aliments doivent être à la température de service avant d'être placés dans le four chaud.

La fonction Garder au chaud avec injection de vapeur ajoute de l'humidité dans le four afin d'empêcher l'assèchement des aliments et de les conserver chauds et humides avant le service.

- Ne pas utiliser la fonction Garder au chaud pour chauffer des aliments froids. Utiliser seulement des aliments cuits et chauds avec la fonction Garder au chaud.
- Suivre les recommandations du fabricant pour le réchauffage des bols et plats de service vides.
- Pour des résultats optimaux, ne pas couvrir les aliments avec du papier d'aluminium ou des couvercles pendant la première heure. Ensuite, vérifier les aliments de temps en temps et couvrir si nécessaire.
- Utiliser les positions de grille 1 à 4. Ne pas placer d'aliments sur la grille supérieure.
- Pour des résultats optimaux, ne pas utiliser la fonction Garder au chaud pendant plus de 4 heures.

Le tableau suivant fournit des recommandations pour différents aliments avec une gamme de températures. La température peut être réglée entre 140°F et 200°F (60°C et 93°C). Utiliser les températures comme guide et ajuster au besoin pour les morceaux plus petits ou plus gros et en fonction des quantités d'aliments.

Tableau pour la fonction Garder au chaud

Réglage	Aliments recommandés
140°F-160°F (60°C-71°C)	Pain, petits pains Tartes aux fruits Brioches/pâtisseries
165°F-180°F (74°C-82°C)	Hors d'œuvre Mets en sauce Crème pâtissière, tartes à la citrouille Plats à base d'œufs Poisson* Viandes** Volaille Légumes
185°F-200°F (85°C-93°C)	Bacon*** Pain doré Crêpes Gaufres***

*Le poisson doit être cuit complètement jusqu'à ce qu'il soit opaque et floconneux.

**Le bœuf doit être cuit de façon à ce que la température interne atteigne au moins 140°F (60°C).

***Disposer en une simple couche sur une grille de refroidissement en métal. Placer la grille sur une plaque à pâtisserie.

Utilisation :

1. Dans le menu principal, appuyer sur GARDER CHAUD.
2. Pour changer la température, entrer la température désirée à l'aide des touches numériques.
3. Pour changer une durée de maintien au chaud, appuyer sur DURÉE. Entrer la durée de maintien au chaud désirée en utilisant les touches numériques.
4. Une fois qu'une fonction de réglage de cuisson est terminée, la touche Start (démarrer) s'allume.
5. Lorsque les réglages sont corrects, appuyer sur START (démarrer).
6. Pendant le programme de maintien au chaud, une touche d'ajustement des réglages apparaît dans le coin inférieur droit de l'affichage. Appuyer sur AJUSTER RÉGLAGES pour changer les réglages de durée et/ou de température. Appuyer sur START (démarrer) pour entrer de nouveaux réglages.
7. Si la durée de maintien au chaud a été réglée, le message Vérifier aliment apparaîtra à la fin de la durée de maintien au chaud.

Les signaux sonores de fin de programme seront émis (si activés), suivis des signaux de rappel à intervalles d'une minute. Appuyer sur OK pour effacer le message, arrêter les signaux de rappel et continuer le programme de cuisson en cours.

8. Appuyer sur OFF (arrêt) lorsque le maintien au chaud est terminé.

Sonde thermométrique

AVERTISSEMENT



Risque de brûlures

Utiliser des mitaines de four pour retirer la sonde thermométrique.

Ne pas toucher l'élément du grill.

Le non-respect de ces instructions peut causer des brûlures.

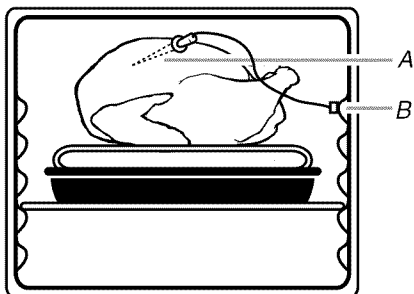
La sonde thermométrique mesure précisément la température interne de la viande, de la volaille et des mets en sauce liquides et doit être utilisée pour déterminer le degré de cuisson de la viande et de la volaille. Elle ne doit pas être utilisée en même temps que la cuisson au grill à plein puissance et centrale, la cuisson au grill par convection ou lorsqu'on fait lever du pain.

Toujours débrancher et retirer la sonde thermométrique du four lorsqu'on retire les aliments.

La sonde thermométrique est disponible pour la plupart des programmes, dont : Cuisson à la vapeur automatique, Cuisson à la vapeur manuelle, Cuisson au four, Cuisson au four par convection, Rôtissage par convection et Conversion EasyConvect™ (Viandes, Volaille, Mets en sauce ou Poisson).

Utilisation :

Avant l'utilisation, insérer la sonde au centre de la partie la plus épaisse de la viande ou à l'intérieur de la cuisse ou blanc de poulet, loin de la graisse et des os à un angle tel qu'illustré sur le diagramme suivant. Placer les aliments dans le four et connecter la sonde thermométrique à la prise. Maintenir la sonde aussi loin que possible de la source de chaleur. Fermer la porte du four.



A. Sonde thermométrique

B. Connecteur de la sonde thermométrique

1. Dans le menu de sélection des fonctions de cuisson où une sonde thermométrique est utilisée, appuyer sur **SONDE**.
2. Appuyer sur les touches numériques pour entrer une température pour la sonde autre que 160°F (75°C). La température de la sonde correspond à la température interne désirée une fois que l'aliment est cuit. La température peut être réglée entre 130°F et 180°F (55°C et 82°C).

REMARQUE : Lors de l'utilisation de la sonde, la fonction de durée de cuisson peut ne pas être utilisée.

3. Si la sonde est réglée et reliée au four, l'icône de sonde s'affiche dans l'icône de la cavité du four.
Si la sonde est réglée et non reliée au four, un message "Probe Not Connected" (sonde non reliée) s'affiche. L'icône de sonde s'affichera et clignotera jusqu'au branchement de la sonde.
4. Une fois qu'on appuie sur la touche Start (démarrer), l'affichage de la sonde apparaît. Si la température de la sonde actuelle est inférieure à 130°F (54°C), l'affichage indique "Inférieure à 130°F (54°C)".
L'affichage indique la température de sonde actuelle une fois qu'elle atteint 130°F (54°C).
5. Pendant le programme de cuisson, une touche d'ajustement des réglages apparaît dans le coin inférieur droit de l'affichage. Appuyer sur **AJUSTER RÉGLAGES** pour changer la température de la sonde désirée. Appuyer sur **START** (démarrer) pour entrer de nouveaux réglages.
6. Lorsque la température de la sonde réglée est atteinte, le message Vérifier aliment s'affiche sur l'affichage du four et la température de la sonde commence à clignoter.
Les signaux sonores de fin de programme seront émis (si activés), suivis des signaux de rappel à intervalles d'une minute. Appuyer sur **OK** pour effacer le message, arrêter les signaux de rappel et continuer le programme de cuisson en cours.
7. Appuyer sur **OFF** (arrêt) lorsque la cuisson est terminée.
8. Toujours débrancher et retirer la sonde thermométrique du four lorsqu'on retire les aliments. Le symbole de la sonde restera allumé jusqu'à ce que la sonde soit débranchée.

Cuisson minutée/différée

AVERTISSEMENT

Risque d'empoisonnement alimentaire

Ne pas laisser des aliments dans un four plus d'une heure avant ou après la cuisson.

Le non-respect de cette instruction peut causer un empoisonnement alimentaire ou une maladie.

La cuisson minutée permet au(x) four(s) de cuire pendant une période déterminée. La cuisson différée permet au(x) four(s) d'être réglé(s) pour s'allumer à une certaine heure du jour. La mise en marche différée ne doit pas être utilisée pour des aliments tels que les pains et gâteaux car ils peuvent ne pas cuire correctement.

La cuisson minutée est disponible pour la plupart des programmes, dont : Cuisson au four, Cuisson au four par convection, Rôtissage par convection, Conversion EasyConvect™, Levée du pain et Garder au chaud.

La cuisson différée est disponible pour les programmes de Cuisson au four, Cuisson au four par convection et Rôtissage par convection.

Réglage d'une durée de cuisson :

1. Dans le menu de sélection de ces fonctions de cuisson pour lesquelles la durée de cuisson est disponible, appuyer sur DURÉE CUISSON.
2. Utiliser les touches numériques pour entrer la durée de cuisson désirée.
3. Une fois que l'on appuie sur la touche Start (démarrer), la durée de cuisson s'affiche.
4. Pendant le programme de cuisson, une touche d'ajustement des réglages apparaît dans le coin inférieur droit de l'affichage. Appuyer sur AJUSTER RÉGLAGES pour changer la durée de cuisson désirée. Appuyer sur START (démarrer) pour entrer de nouveaux réglages.
5. Lorsque la fin de la durée de cuisson est atteinte, le message Vérifier aliment apparaît sur l'affichage du four.
Les signaux sonores de fin de programme seront émis (si activés), suivis des signaux de rappel à intervalles d'une minute. Appuyer sur OK pour effacer le message, arrêter les signaux de rappel et continuer le programme de cuisson en cours.
6. Appuyer sur OFF (arrêt) lorsque la cuisson est terminée.

REMARQUE : Pour obtenir les meilleurs résultats de cuisson, si la sonde thermométrique est utilisée, la fonction Durée de cuisson ne doit pas être utilisée.

Réglage d'une durée de cuisson différée :

Avant le réglage, s'assurer que l'horloge est réglée à l'heure exacte. Voir la section "Horloge".

1. Dans le menu principal, appuyer sur PLUS.
2. Appuyer sur CUISSON DIFFÉRÉE.
3. Utiliser les touches numériques pour entrer la durée différée désirée. Par exemple, si vous souhaitez que le four s'allume dans 1 h 20, entrer 1:20.
4. Régler la durée et la température de cuisson.
5. Une fois que la touche Start (démarrer) est enfoncée, le message Cuisson différée apparaît sur l'affichage du four, indiquant les réglages.
Un décompte s'affichera dans la partie inférieure gauche de l'affichage et indiquera le temps restant avant le début de la cuisson.
6. Lorsque l'heure de mise en marche est atteinte, le four s'allume automatiquement. Le compte à rebours en minutes apparaîtra sur l'affichage du four.
7. Lorsque la fin de la durée de cuisson est atteinte, le message Cuisson au four terminée apparaît sur l'affichage du four.
Les signaux sonores de fin de programme seront émis (si activés), suivis des signaux de rappel à intervalles d'une minute. Appuyer sur OK pour effacer le message, arrêter les signaux de rappel et continuer le programme de cuisson en cours.
8. Appuyer sur OFF (arrêt) lorsque la cuisson est terminée.

TABLEAUX DE CUISSON

Les températures et les durées de cuisson au four traditionnelles sont données pour vous aider à apprendre à convertir vos propres recettes.

Tableau de cuisson du pain

Pour des résultats de cuisson optimaux, faire cuire au four aux positions de grille 1 ou 2.

Pains à la levure

ALIMENT	TEMPÉRATURE DU FOUR	DURÉE DE CUISSON (en minutes)
Pain blanc de base (plat de cuisson de 8½" x 4½" x 2½" [21,6 cm x 11,4 cm x 6,4 cm])		
Recette : Cuisson au four	400°F (200°C)	30*
Pains avec cuisson à la vapeur automatique	375°F (190°C)	25*
Cuisson au four par convection	375°F (190°C)	25*
Petits pains à la levure		
Recette : Cuisson au four	425°F (220°C)	12*
Pains avec cuisson à la vapeur automatique	375°F (190°C)	12*
Cuisson au four par convection	400°F (200°C)	8*
Pain français (pains d'environ 1½ lb [680 g])		
Recette : Cuisson au four	450°F (230°C)	30
Pains avec cuisson à la vapeur automatique	400°F (200°C)	30
Cuisson au four par convection	425°F (220°C)	30
Pain à la farine d'avoine et au miel (plat de cuisson de 8½" x 4½" x 2½" [21,6 cm x 11,4 cm x 6,4 cm])		
Recette : Cuisson au four	375°F (190°C)	40
Pains avec cuisson à la vapeur automatique	325°F (165°C)	35
Cuisson au four par convection	350°F (175°C)	37
Pain de seigle léger pains d'environ 1¼ lb [567 g])		
Recette : Cuisson au four	350°F (175°C)	30 à 45
Pains avec cuisson à la vapeur automatique	325°F (165°C)	34 à 36
Cuisson au four par convection	325°F (165°C)	34 à 36

ALIMENT	TEMPÉRATURE DU FOUR	DURÉE DE CUISSON (en minutes)
Roulés à la cannelle (12 roulés dans un plat de cuisson de 13" x 9" x 2" [33 cm x 22,9 cm x 5 cm])		
Recette : Cuisson au four	350°F (175°C)	20 à 25
Pains avec cuisson à la vapeur automatique	325°F (165°C)	19 à 20
Cuisson au four par convection	325°F (165°C)	18 à 20
Pâte à pizza (Plat à pizza de 14" [35,6 cm] avec assaisonnement)		
Recette : Cuisson au four	450°F (230°C)	15 à 20
Pains avec cuisson à la vapeur automatique	425°F (220°C)	12 à 13
Cuisson au four par convection	425°F (220°C)	12 à 13

*Ou jusqu'à ce que la croûte soit dorée.

Pains éclairs

ALIMENT	TEMPÉRATURE DU FOUR	DURÉE DE CUISSON (en minutes)
Pain à la banane et aux noix (plat de cuisson de 9" x 5" x 3" [22,9 cm x 12,7 cm x 7,6 cm])		
Recette : Cuisson au four	350°F (175°C)	40 à 45
Pains avec cuisson à la vapeur automatique	325°F (165°C)	38 à 40
Cuisson au four par convection	325°F (165°C)	40 à 45
Biscuits à levure chimique (biscuits de 2" [5 cm], roulés à une épaisseur de ½" [1,3 cm])		
Recette : Cuisson au four	450°F (230°C)	12 à 15
Pains avec cuisson à la vapeur automatique	425°F (220°C)	9 à 11
Cuisson au four par convection	425°F (220°C)	11 à 13
Muffins au son (taille de tasse de 2¾" x 1¼" [7 cm x 3,2 cm])		
Recette : Cuisson au four	400°F (200°C)	20*
Pains avec cuisson à la vapeur automatique	375°F (190°C)	16*
Cuisson au four par convection	375°F (190°C)	15*

*Ou jusqu'à ce qu'un cure-dent inséré au centre du pain en ressorte propre.

Autres aliments

ALIMENT	TEMPÉRATURE DU FOUR	DURÉE DE CUISSON (en minutes)
Chaussons aux graines de pavot et au citron		
Recette : Cuisson au four	400°F (200°C)	40
Pains avec cuisson à la vapeur automatique	375°F (190°C)	40
Cuisson au four par convection	375°F (190°C)	30 à 35
Pâtisserie au brie		
Recette : Cuisson au four	350°F (175°C)	30 à 40
Pains avec cuisson à la vapeur automatique	350°F (175°C)	40
Bœuf Wellington, rôti de 2½ lb (1,1 kg)		
Recette : Cuisson au four	400°F (200°C)	50 à 55*
Pains avec cuisson à la vapeur automatique	375°F (190°C)	60 à 65*

*Jusqu'à ce que la viande soit à point et la croûte dorée.

Tableau de cuisson des mets en sauce

Pour obtenir les meilleurs résultats de cuisson, faire cuire les mets en sauce sur les positions de grille 1 ou 2.

ALIMENT	TEMPÉRATURE DU FOUR	BRUNISSAGE	DURÉE DE CUISSON (en minutes)
Poulet épicé et riz - morceaux de poulet sur du riz/un mélange de légumes (plat de cuisson rectangulaire de 3 pintes [2,8 L])			
Recette : cuisson au four (avec couvercle)	375°F (190°C)		50-60
Cuisson à la vapeur automatique de mets en sauce	350°F (175°C)	Low (faible)	40-45 ou jusqu'à ce que le poulet soit cuit et le riz tendre
Macaroni au fromage (mets de 1 pinte [0,9 L])			
Recette : cuisson au four	350°F (175°C)		25-30
Cuisson à la vapeur automatique de mets en sauce	325°F (165°C)	Low (faible)	20 ou jusqu'à ce que le plat soit chaud et bouillonne
Thon-nouilles - couvert de chapelure (plat de 1½ pinte [1,4 L])			
Recette : cuisson au four	375°F (190°C)		20
Cuisson à la vapeur automatique de mets en sauce	350°F (175°C)	Off (arrêt)	17-20 ou jusqu'à ce que le plat soit chaud et bouillonne
Hamburger en tarte - hamburger/mélange de légumes avec pommes de terre en purée (plat de 1½ pinte [1,4 L])			
Recette : cuisson au four	375°F (190°C)		20-25
Cuisson à la vapeur automatique de mets en sauce	350°F (175°C)	Off (arrêt)	20 ou jusqu'à ce que le plat soit chaud de manière uniforme

Tableau de cuisson des desserts

Pour obtenir les meilleurs résultats de cuisson, cuire au four sur les positions de grille 1, 2 ou 3.

ALIMENT	TEMPÉRATURE DU FOUR	DURÉE DE CUISSON (en minutes)
Pudding de pain perdu (plat de 8" x 8" x 2" [20,3 cm x 20,3 cm x 5 cm])		
Recette : cuisson au four	325°F (165°C)	35-40
Desserts par cuisson à la vapeur automatique	275°F (135°C)	35 ou jusqu'à ce que la pointe d'un couteau insérée au centre du gâteau en ressorte propre
Soufflé au chocolat (moule à soufflé de 2 pintes [1,9 L])		
Recette : cuisson au four	375°F (190°C)	35-40
Desserts par cuisson à la vapeur automatique	300°F (150°C)	40-45 ou jusqu'à ce que la pointe d'un couteau insérée sous le "chapeau supérieur" en ressorte propre
Soufflé à la banane (moule à soufflé de 1½ pinte [1,4 L])		
Recette : cuisson au four	375°F (190°C)	35
Desserts par cuisson à la vapeur automatique	300°F (150°C)	37-40 ou jusqu'à ce que la croûte soit dorée
Soufflé au fromage (moule à soufflé de 2 pintes [2 L])		
Recette : cuisson au four	350°F (175°C)	50
Desserts par cuisson à la vapeur automatique	300°F (150°C)	55 ou jusqu'à ce que la pointe d'un couteau insérée près du centre du gâteau en ressorte propre
Feuilleté de patate douce (moule à tarte de 9" [22,9 cm])		
Recette : cuisson au four	400°F (200°C)	30
Desserts par cuisson à la vapeur automatique	350°F (175°C)	28 ou jusqu'à ce que ce soit prêt

Tableau de cuisson à la vapeur automatique des légumes

ALIMENT	TEMPÉRATURE DU FOUR	BRUNISSAGE	DURÉE DE CUISSON (en minutes)
Pointes d'asperges	250°F (120°C)	Off (arrêt)	12-16
Courges reine-de-table 1-1½ lb (454-680 g)	250°F (120°C)	Off (arrêt)	23-25
Carottes (entières)	250°F (120°C)	Off (arrêt)	20-25
Chou-fleur (bouquets)	250°F (120°C)	Off (arrêt)	16-18
Chou-fleur (entier)	260°F (127°C)	Off (arrêt)	24-30
Épi de maïs (décortiqué)	250°F (120°C)	Off (arrêt)	20-25
Épi de maïs (non décortiqué, trempage non nécessaire)	250°F (120°C)	Off (arrêt)	22-24
Champignons (petits, entiers)	250°F (120°C)	Off (arrêt)	11-12
Pommes de terre (petites, nouvelles)	250°F (120°C)	Off (arrêt)	25-26
Courgettes (en tranches)	250°F (120°C)	Off (arrêt)	11-12
Maïs gratiné (moule de 2 pintes [1,9 L])			
Recette : cuisson au four	325°F (165°C)		40-50
Légumes par cuisson à la vapeur automatique	300°F (150°C)	Off (arrêt)	27
Poivrons verts farcis (4 portions)			
Recette : cuisson au four	375°F (190°C)		15
Légumes par cuisson à la vapeur automatique*	325°F (163°C)	Off (arrêt)	20 ou jusqu'à ce que le plat soit chaud de manière uniforme

*Utiliser des poivrons crus, ne pas les mettre dans l'eau bouillante.

Tableau de cuisson à la vapeur automatique des fruits de mer

ALIMENT	TEMPÉRATURE DU FOUR	BRUNISSAGE	DURÉE DE CUISSON (en minutes)
Filets, épaisseur ¼" (0,6 cm)	250°F (120°C)	Off (arrêt)	11-12
Filets, épaisseur ½" (1,3 cm)	250°F (120°C)	Off (arrêt)	11-13
Filets, 1" (2,5 cm) d'épaisseur	300°F (150°C)	Off (arrêt)	17-20
Entier, assaisonné - 1" (2,5 cm) d'épaisseur	340°F (170°C)	Low (faible)	13-14
Pétoncles (U-10 unités)	250°F (120°C)	Off (arrêt)	13-14
Crevettes (16-20 unités)	250°F (120°C)	Off (arrêt)	11-12
Crevettes (26-30 unités)	250°F (120°C)	Off (arrêt)	11-13
Queue de homard (10-12 oz [283-340 g])	250°F (120°C)	Off (arrêt)	18-19

Tableau de cuisson à la vapeur manuelle

Pour obtenir les meilleurs résultats de cuisson, utiliser la position de grille 1 ou 2 lors de la cuisson à la vapeur manuelle.

ALIMENT	PRÉ-CHAUFFAGE	TEMPÉRATURE DU FOUR	BRUNISSAGE	POURCENTAGE DE VAPEUR	DURÉE DE CUISSON (en minutes)
Pâte à pizza croustillante (moule à pizza de 14" [35,6 cm] avec garniture)					
Recette : cuisson au four		450°F (230°C)			15-20
Cuisson à la vapeur manuelle	On (marche)	425°F (220°C)	Off (arrêt)	80	10-11
Lasagnes (plat rectangulaire de 2 pintes [2 L])					
Recette : cuisson au four		375°F (190°C)			30-35
Cuisson à la vapeur manuelle	Off (arrêt)	350°F (175°C)	Off (arrêt)	100	23-25 ou jusqu'à ce qu'il soit chaud de manière uniforme
Frittata au four (poêlon allant au four de 10" [25,4 cm])					
Recette : cuisson au four*		350°F (175°C)			15
Cuisson à la vapeur manuelle (*Faire cuire les légumes dans le poêlon, ajouter les œufs et mettre au four.)	Off (arrêt)	325°F (165°C)	Off (arrêt)	100	11-13 ou jusqu'à ce que la pointe d'un couteau insérée près du centre en ressorte propre
Saucisses bratwurst (fraîches)					
Cuisson à la vapeur manuelle	Off (arrêt)	250°F (120°C)	Medium (moyen)	100	18-20 ou 165°F (74°C) température interne
Blancs de poulet (désossés, sans peau, 7-8 oz [218-249 g])					
Cuisson à la vapeur manuelle	Off (arrêt)	350°F (175°C)	Low (faible)	80	23 ou 165°F (74°C) température interne
Pain de viande, (pain de 7" x 3" x 2" [17,8 cm x 7,6 cm x 5 cm], 1 lb (454 g) de viande)					
Recette : cuisson au four		350°F (175°C)	Off (arrêt)	60	45-50
Cuisson à la vapeur manuelle	Off (arrêt)	350°F (175°C)			40 ou 160°F (71°C) température interne
Crevettes (26-30 unités)	On (marche)	250°F (120°C)	Off (arrêt)	100	3-4

Tableau de rôtissage des viandes et de la volaille avec cuisson à la vapeur automatique

- Placer la viande ou la volaille sur la grille de rôtissage par convection installée au-dessus de la lèche-frite.
- Insérer un thermomètre à viande ou utiliser la sonde thermométrique fournie avec le four.
- Pour obtenir les meilleurs résultats de cuisson, commencer par la viande ou la volaille à température réfrigérée et faire rôtir à la position de grille 1 ou 2.
- Débuter la cuisson dans un four froid.
- Faire rôtir à la température recommandée pour la durée indiquée ou jusqu'à ce que le thermomètre ou la sonde thermométrique atteigne la température spécifiée pour la cuisson.
- Couvrir avec du papier d'aluminium et laisser reposer pendant 10 à 20 minutes avant de découper la viande.
- La température augmentera pendant le temps de repos.
- Pour obtenir les meilleurs résultats de cuisson, mettre de petites portions de volaille au four les pattes en premier.

ALIMENT	TEMPÉRATURE DU FOUR	BRUNISSAGE	DURÉE DE CUISSON (en heures et minutes)	MINUTES PAR LB (454 g)	TEMPÉRATURE INTERNE
Bœuf					
Côte de rôti de bœuf semi-désossé (4 à 5 lb [1,8 à 2,3 kg])					
Viandes par cuisson à la vapeur automatique saignant à point	325°F (160°C)	Medium (moyen)	1:39-2:08	24-26	130°F (54°C)
à point	325°F (160°C)	Medium (moyen)	1:50-2:22	27-28	145°F (63°C)
Faux-filet de rôti de bœuf, désossé (4 à 4½ lb [1,8 à 2 kg])					
Viandes par cuisson à la vapeur automatique saignant à point	325°F (160°C)	Medium (moyen)	1:33-1:56	22-26	130°F (54°C)
à point	325°F (160°C)	Medium (moyen)	1:47-2:10	24-29	145°F (63°C)
Rôti de bœuf, surlongue, désossé (4 à 5 lb [1,8 à 2,3 kg])					
Viandes par cuisson à la vapeur automatique saignant à point	325°F (160°C)	High (élevé)	1:22-1:42	19-21	130°F (54°C)
à point	325°F (160°C)	High (élevé)	1:35-1:56	22-24	145°F (63°C)
Porc					
Rôti de porc, longe supérieure, longe unique (désossé 2-2½ lb [1-1,1 kg])					
Viandes par cuisson à la vapeur automatique	325°F (160°C)	High (élevé)	0:44-0:57	22-25	145°F (63°C)
Rôti de porc, longe supérieure, double longe, ficelé (désossé 3-4 lb [1,4-1,8 kg])					
Viandes par cuisson à la vapeur automatique	325°F (160°C)	High (élevé)	1:15-1:42	19-29	145°F (63°C)
Rôti de porc, longe centrale (3 à 4 lb [1,4 à 1,8 kg])					
Viandes par cuisson à la vapeur automatique	325°F (160°C)	Medium (moyen)	1:13-1:40	24-25	145°F (63°C)
Filet de porc (1 lb [454 g])					
Viandes par cuisson à la vapeur automatique	425°F (220°C)	High (élevé)	0:28-0:31	28-31	145°F (63°C)
Jambon, entièrement cuit (9½-10 lb [4,3 à 4,5 kg])					
Viandes par cuisson à la vapeur automatique	300°F (150°C)	Low (faible)	2:20-2:29	14-15	130°F (54°C)

ALIMENT	TEMPÉRATURE DU FOUR	BRUNISSAGE	DURÉE DE CUISSON (en heures et minutes)	MINUTES PAR LB (454 g)	TEMPÉRATURE INTERNE
Agneau					
Gigot d'agneau [6 à 7 lb [2,7 à 3,1 kg]]					
Viandes par cuisson à la vapeur automatique	325°F (165°C)	Medium (moyen)	1:30-1:46	15-18	130°F (54°C)
Rôti de longe d'agneau (1½ à 1¾ lb [0,7 à 0,8 kg])					
Viandes par cuisson à la vapeur automatique	400°F (200°C)	Medium (moyen)	0:31-0:50	19-29	130°F (54°C)
Poulet					
Poulet, gril-sauteuse (3½ à 4½ lb [1,6 à 2 kg])					
Volaille par cuisson à la vapeur automatique	350°F (175°C)	High (élevé) ou Medium (moyen)	0:42-0:49	11-13	165°F (74°C)
Poulet rôti (4 à 5 lb [1,8 à 2,3 kg])					
Volaille par cuisson à la vapeur automatique	350°F (175°C)	High (élevé) ou Medium (moyen)	0:49-0:52	10-12	165°F (74°C)
Poulet rôti (6 à 6½ lb [2,7 à 2,9 kg])					
Volaille par cuisson à la vapeur automatique	350°F (175°C)	High (élevé) ou Medium (moyen)	1:04-1:15	11-12	165°F (74°C)
Dinde					
Dinde (10 à 12 lb [4,5 à 5,4 kg])					
Volaille par cuisson à la vapeur automatique	325°F (165°C)	Medium (moyen)	0:59-1:33	6-8	165°F (74°C)
Dinde (14 à 17 lb [6,4 à 7,7 kg])					
Volaille par cuisson à la vapeur automatique	325°F (165°C)	Medium (moyen)	1:15-1:45	5-6	165°F (74°C)
Dinde (20 à 22 lb [9 à 10 kg])					
Volaille par cuisson à la vapeur automatique	300°F (150°C)	Medium (moyen)	2:00-2:12	6-7	165°F (74°C)
Blanc de dinde, entier (7½ à 9 lb [3,4 à 4,1 kg])					
Volaille par cuisson à la vapeur automatique	325°F (165°C)	Medium (moyen)	1:15-1:40	9-11	165°F (74°C)
Canard					
Canard (5 à 6 lb [2,3 à 2,7 kg])					
Volaille par cuisson à la vapeur automatique	350°F (175°C)	Medium (moyen)	1:07-1:12	11-13	165°F (74°C)
Poulet de Cornouailles					
Poulet de Cornouailles (22 oz [624 g])					
Volaille par cuisson à la vapeur automatique	350°F (175°C)	High (élevé) ou Medium (moyen)	0:37-0:38	26-27	165°F (74°C)

ENTRETIEN DE LA CUISINIÈRE

Programme d'autonettoyage

AVERTISSEMENT



Risque de brûlures

Ne pas toucher le four au cours du programme d'autonettoyage.

Garder les enfants loin du four au cours du programme d'autonettoyage.

Le non-respect de ces instructions peut causer des brûlures.

IMPORTANT : La santé de certains oiseaux est très sensible aux émanations qui surviennent durant le programme d'autonettoyage. L'exposition aux émanations peut entraîner la mort de certains oiseaux. Toujours déplacer les oiseaux dans une autre pièce fermée et bien aérée.

Procéder à l'autonettoyage du four avant qu'il ne devienne très sale. Les saletés intenses nécessitent un nettoyage plus long et dégagent plus de fumée.

Veiller à ce que la cuisine soit bien aérée pendant le programme d'autonettoyage afin d'aider à éliminer la chaleur, les odeurs et la fumée.

Ne pas obstruer le ou les événements du four durant le programme d'autonettoyage. L'air doit pouvoir circuler librement. Selon votre modèle, voir la section "Évent du four" ou "Événements du four".

Ne pas nettoyer, frotter, endommager ou déplacer le joint d'étanchéité de la porte du four. Le joint de la porte est essentiel pour une bonne étanchéité.

Préparation du four :

- Sortir du four la lèchefrite, la grille, les ustensiles de cuisson au four et, sur certains modèles, la sonde thermométrique.
Sortir les grilles du four pour les garder brillantes et pour qu'elles glissent facilement. Voir la section "Nettoyage général" pour plus de renseignements.
- Enlever tout papier d'aluminium du four ; celui-ci risquerait de brûler ou de fondre et d'endommager le four.
- Nettoyer manuellement le bord intérieur de la porte et une zone de 1½" (3,8 cm) sur le pourtour du cadre de la cavité du four, en prenant soin de ne pas déplacer ni plier le joint d'étanchéité. Cette section ne devient pas assez chaude au cours du programme d'autonettoyage pour pouvoir éliminer la saleté. Ne pas laisser de l'eau, un nettoyant, etc. pénétrer dans les fentes du cadre de la porte. Nettoyer cette zone avec un chiffon humide.
- Essuyer toute saleté décollée afin de réduire la fumée et d'éviter les dommages. À des températures élevées, les aliments réagissent avec la porcelaine. Cette réaction peut causer des taches, des attaques, des piqûres ou de légères taches blanches. Ceci n'affectera pas la performance de cuisson.

Comment fonctionne le programme

IMPORTANT : Le chauffage et le refroidissement de la porcelaine sur l'acier dans le four peuvent causer une décoloration, une perte de la brillance du fini, des fissures minuscules et émettre des craquements.

Le programme d'autonettoyage utilise des températures très élevées, brûlant les saletés pour les réduire en cendre.

Le four est préréglé pour un programme d'autonettoyage de 4 h, mais la durée peut être modifiée. Les durées de nettoyages suggérées sont de 3 h 30 pour des saletés légères et entre 4 h et 4 h 30 pour des saletés moyennes à abondantes.

Utiliser le tableau ci-dessous comme guide pour déterminer le niveau de nettoyage désiré.

NIVEAU DE NETTOYAGE	DURÉE DE NETTOYAGE TOTALE (inclut 30 minutes de temps de refroidissement)
1 (rapide)	3 heures 30 minutes
2	3 heures 45 minutes
3 (régulier)	4 heures
4	4 heures 15 minutes
5 (maximum)	4 heures 30 minutes

Lorsque le four a complètement refroidi, retirer la cendre avec un chiffon humide. S'il reste des saletés après l'essuyage, cela signifie que le programme de nettoyage n'a pas fonctionné suffisamment longtemps pour pouvoir éliminer toutes les saletés du four. Répéter le programme d'autonettoyage si désiré; on peut aussi attendre le prochain programme de nettoyage pour éliminer ces saletés. Pour éviter de casser le verre, ne pas appliquer de chiffon froid humide sur le hublot de la porte interne avant qu'il n'ait complètement refroidi.

Les lampes du four ne fonctionnent pas durant le programme d'autonettoyage.

Sur les cuisinières de 48" (121,9 cm), seul un four peut procéder à l'autonettoyage à la fois. Si un four effectue un programme d'autonettoyage, l'autre four ne peut être ni réglé ni allumé.

REMARQUE : Le four possède un ventilateur de refroidissement à 2 vitesses. Pendant l'autonettoyage, le(s) ventilateur(s) fonctionnera(ont) à la vitesse la plus élevée pour augmenter le flux d'air et faciliter l'évacuation de l'air chaud à travers le(s) événements du four. Une augmentation du bruit peut être constatée pendant et après le programme d'autonettoyage jusqu'au refroidissement du four.

Autonettoyage :

Avant l'autonettoyage, s'assurer que la porte est complètement fermée sinon elle ne se verrouillera pas et le programme ne commencera pas.

1. Dans le menu principal, appuyer sur PLUS.
2. Appuyer sur AUTONETTOYAGE.
3. Appuyer sur + ou - pour augmenter ou diminuer la durée de nettoyage au niveau désiré.
4. Appuyer sur CONSEILS pour recevoir des instructions sur la préparation de votre four pour le programme d'autonettoyage. Appuyer sur OK pour retourner au menu d'autonettoyage.

5. Une fois que la fonction de réglage de l'autonettoyage est terminée, la touche Start (démarrer) s'allume.
6. Lorsque les réglages sont corrects, appuyer sur START (démarrer).
7. À la fin de la durée de l'autonettoyage, le four s'arrêtera automatiquement et le message Terminé s'affichera. Les signaux sonores de fin de programme seront émis (si activés), suivis des signaux de rappel à intervalles d'une minute. Appuyer sur OK pour effacer ce message, arrêter les signaux de rappel et retourner au menu principal.

Pour différer l'autonettoyage :

1. Dans le menu principal, appuyer sur PLUS.
2. Appuyer sur AUTONETTOYAGE.
3. Appuyer sur + ou - pour augmenter ou diminuer la durée de nettoyage au niveau désiré.
4. Appuyer sur CONSEILS pour recevoir des instructions sur la préparation de votre four pour le programme d'autonettoyage. Appuyer sur OK pour retourner au menu d'autonettoyage.
5. Appuyer sur ARRÊT DIFFÉRÉ.
6. Utiliser les touches + ou - pour augmenter ou diminuer la durée différée ou utiliser les touches numériques pour entrer la durée désirée. Appuyer sur OK.
7. Une fois que la fonction de réglage de l'autonettoyage est terminée, la touche Start (démarrer) s'allume.
8. Lorsque les réglages sont corrects, appuyer sur START (démarrer).
9. Une fois qu'on appuie sur la touche Start (démarrer), le programme d'autonettoyage différé s'affiche et indique les réglages. Un décompte s'affichera dans la partie inférieure gauche de l'affichage et indiquera le temps restant avant le début du programme d'autonettoyage.
10. Lorsque l'heure de mise en marche est atteinte, le four s'allume automatiquement. Le décompte apparaîtra sur l'afficheur du four. Si la porte est ouverte avant le début du programme d'autonettoyage, ce programme sera annulé et un message apparaîtra. Appuyer sur OK pour retourner au menu principal.
11. À la fin de la durée de l'autonettoyage, le four s'arrêtera automatiquement et le message Terminé s'affichera. Les signaux sonores de fin de programme seront émis (si activés), suivis des signaux de rappel à intervalles d'une minute. Appuyer sur OK pour effacer ce message, arrêter les signaux de rappel et retourner au menu principal.

Une fois que le programme d'autonettoyage commence, la porte est automatiquement verrouillée et "PORTE VERROUILLÉE" s'affiche.

La porte ne se déverrouille pas tant que le four n'a pas refroidi et que le message Terminé n'est pas affiché.

Pour arrêter le programme d'autonettoyage à tout moment :

Appuyer sur OFF (arrêt). Si la température du four est trop élevée, la porte reste verrouillée. Elle ne se déverrouille pas tant que le four n'a pas refroidi.

Remplacement de la cartouche du filtre à eau

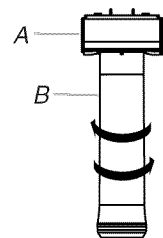
La cartouche du filtre à eau doit être remplacée lorsque "REEMPLACER LE FILTRE" apparaît sur l'affichage du tableau de commande, ou au bout d'un an d'utilisation.

Pour en savoir plus ou pour commander une cartouche de filtre de remplacement, visiter www.whirlpool.com ou appeler le **1-866-986-3223**. Demander le numéro de pièce 8212695.

Remplacer le filtre à eau :

Tourner la cartouche du filtre vers la gauche pour retirer la cartouche de la tête du filtre.

Installer la nouvelle cartouche. Tourner la cartouche vers la droite pour la refixer à la tête du filtre.



A. Tête de filtre
B. Cartouche de filtre

Si vous avez besoin d'assistance ou de service :

Veuillez consulter la section "Assistance ou service".

Nettoyage général

IMPORTANT : Avant le nettoyage, s'assurer que toutes les commandes sont désactivées et que le four est froid. Toujours suivre les instructions figurant sur les étiquettes des produits de nettoyage.

Du savon, de l'eau et un chiffon doux ou une éponge sont recommandés à moins d'indication contraire.

ACIER INOXYDABLE (sur certains modèles)

Afin d'éviter d'endommager les surfaces en acier inoxydable, ne pas utiliser de tampons à récurer savonneux, de nettoyeurs abrasifs, de nettoyant pour table de cuisson, de tampons en laine d'acier, de chiffons de lavage rêches ou d'essuie-tout abrasifs.

Méthode de nettoyage :

Frotter dans la direction du grain pour éviter les dommages.

- Nettoyant et poli pour acier inoxydable KitchenAid® - Pièce n° 4396920 (non fournie) ou chiffons pour acier inoxydable KitchenAid® - Pièce n° 8212510 (non fournie) :

Voir la section "Assistance ou service" pour commander.

- Détergent liquide ou nettoyant tout-usage :

Rincer à l'eau propre et sécher avec un chiffon doux sans charpie.

GRILLES ET CHAPEAUX ÉMAILLÉS

Les renversements d'aliments contenant des produits acides, tels que vinaigre et tomates, doivent être nettoyés dès que la table de cuisson, les grilles et les chapeaux ont refroidi. Ces renversements peuvent affecter le fini.

Pour éviter l'écaillage, ne pas entrechoquer les grilles et les chapeaux ni les frapper contre des surfaces dures telles que les ustensiles en fonte.

Ne pas réinstaller les chapeaux sur les brûleurs lorsqu'ils sont mouillés.

Ne pas les nettoyer au moyen du programme d'autonettoyage.

Ne pas nettoyer au lave-vaisselle.

Méthode de nettoyage :

- Ustensile de récurage en nylon non abrasif et nettoyant légèrement abrasif :
Nettoyer dès que la table de cuisson, les grilles et les chapeaux ont refroidi.

BRÛLEURS DE SURFACE

Modèles à brûleurs scellés

Voir la section "Brûleurs de surface scellés".

COMMANDES DE LA TABLE DE CUISSON

Afin d'éviter d'endommager les commandes de la table de cuisson, ne pas utiliser de laine d'acier, de nettoyants abrasifs ou de nettoyant pour four.

Afin d'éviter tout dommage, ne pas immerger les boutons de commande.

Lors de la réinstallation des boutons, s'assurer que chaque bouton est à la position Off (arrêt).

Ne pas retirer les joints sous les boutons.

REMARQUE : Lors de la réinstallation des boutons après le nettoyage des commandes des brûleurs de surface ou de la commande du module de la plaque à frire, vérifier que les boutons sont réinstallés à leur emplacement correct. Les boutons de brûleur de 20 000 BTU/h possèdent des réglages de puissance et le bouton de la plaque à frire des réglages de température. Tous les autres boutons possèdent uniquement des réglages Hi (élevé), Med (moyen), Lo (bas).

Méthode de nettoyage :

- Eau tiède savonneuse :
Tirer les boutons directement hors du tableau de commande pour les enlever.

EXTÉRIEUR DE LA PORTE DU FOUR

Méthode de nettoyage :

- Nettoyant à vitre et chiffon doux ou éponge :
Appliquer le nettoyant à vitre sur un chiffon doux ou une éponge, et non pas directement sur le tableau.
- Nettoyant tout-usage pour appareils ménagers – Pièce n° 31682B (non fourni) :
Voir la section "Assistance ou service" pour commander.

INTÉRIEUR DE LA PORTE DU FOUR

Méthode de nettoyage :

- Programme d'autonettoyage :
Pour un nettoyage optimal de la porte, essuyer tout dépôt avec une éponge humide avant de lancer le programme.

TABLEAU DE COMMANDE

Activer la fonction de verrouillage de la commande pour éviter d'activer l'écran tactile au cours du nettoyage. Voir la section "Verrouillage de la commande".

Afin d'éviter d'endommager le tableau de commande, ne pas utiliser de nettoyants abrasifs, de tampons en laine d'acier, de chiffons de lavage rêches ou d'essuie-tout abrasifs.

Méthode de nettoyage :

- Nettoyant à vitre et chiffon doux ou éponge :
Appliquer le nettoyant à vitre sur un chiffon doux ou une éponge, et non pas directement sur le tableau.
- Nettoyant tout-usage pour appareils ménagers – Pièce n° 31682B (non fourni) :
Voir la section "Assistance ou service" pour commander.

CAVITÉ DU FOUR

Ne pas utiliser de nettoyants à four.

Les renversements alimentaires doivent être nettoyés lorsque le four a refroidi. À des températures élevées, les aliments réagissent avec la porcelaine et cette réaction peut entraîner la formation de taches, d'un film de silice, de piqûres ou de légères taches blanches.

Méthode de nettoyage :

- Programme d'autonettoyage : Voir d'abord "Programme d'autonettoyage".

GRILLES DU FOUR

Méthode de nettoyage :

- Programme d'autonettoyage :
Voir d'abord "Programme d'autonettoyage". Sortir les grilles sinon elles se décolorent et glisseront plus difficilement. Le cas échéant, une légère couche d'huile végétale appliquée sur les glissières facilitera le glissement des grilles.
- Tampon en laine d'acier

MODULE DE LA PLAQUE À FRIRE

Ne pas attendre trop longtemps après le retrait des aliments et le refroidissement de la plaque pour la nettoyer.

Méthode de nettoyage :

- Eau chaude savonneuse et/ou tampon à récurer en nylon
- Après le nettoyage, sécher la surface avec un essuie-tout.

Plateau d'égouttement et zone située sous le plateau

Laisser la table de cuisson refroidir complètement avant le nettoyage.

Méthode de nettoyage :

- Eau tiède savonneuse ou nettoyant non abrasif.
- Chiffon humide ou tampon non abrasif.
- Sécher complètement avant de placer le plateau d'égouttement en position.

Lampes du four

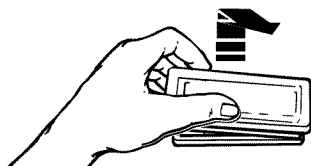
Les lampes du four sont des ampoules à halogène de 120 volts, 25 watts maximum. Elles s'allument à l'ouverture de la porte du four.

Sur les cuisinières de 48" (121,9 cm), les lampes de gauche et de droite s'allument lorsque l'on ouvre une porte. Les lampes du four ne fonctionnent pas durant le programme d'autonettoyage. Lorsque la porte du four est fermée, appuyer sur OVEN LIGHT (lampe du four) pour allumer ou éteindre les lampes.

Réinstallation :

Avant de procéder au remplacement de l'ampoule, s'assurer que le four est éteint et froid.

1. Déconnecter la source de courant électrique.
2. Ôter le couvercle en verre de la lampe en saisissant le bord avant et en tirant pour l'écarter du four.



3. Ôter l'ampoule de la douille.
4. Remplacer l'ampoule en la manipulant avec un mouchoir de papier ou des gants de coton. Pour éviter d'endommager ou de réduire la longévité de l'ampoule neuve, ne pas toucher l'ampoule avec les doigts nus.
5. Réinstaller le couvercle de l'ampoule en l'emboîtant dans la paroi.
6. Reconnecter la source de courant électrique.

Porte du four

⚠ AVERTISSEMENT

Risque du poids excessif

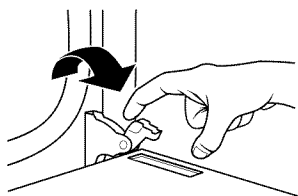
Utiliser deux personnes ou plus pour déplacer et installer les portes du four.

Le non-respect de cette instruction peut causer une blessure au dos ou d'autre blessure.

Il n'est pas recommandé d'enlever la porte du four pour une utilisation normale. Toutefois, si la dépose est nécessaire, s'assurer que le four est éteint et froid. Puis, suivre ces instructions. La porte du four est lourde.

Dépose :

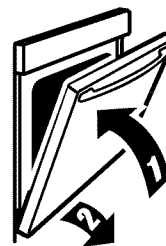
1. Ouvrir la porte du four complètement.
2. Relever le loquet de charnière de chaque côté.



3. Fermer la porte du four aussi loin qu'elle peut aller.

4. À l'aide de 2 personnes ou plus, soulever la porte du four en la retenant de chaque côté.

Continuer de maintenir la porte du four fermée et la dégager du châssis de la porte du four.



Réinstallation :

1. À l'aide de 2 personnes ou plus, insérer les deux bras de suspension dans la porte.



2. Ouvrir la porte du four.
Vous devriez entendre un déclic lors de la mise en place de la porte.
3. Remettre les leviers des charnières à la position verrouillée. Effectuer quelques manœuvres d'ouverture/fermeture de la porte du four pour vérifier le bon fonctionnement. En cas d'impossibilité d'ouverture ou de fermeture parfaite de la porte, répéter le processus de dépose et d'installation de la porte.

DÉPANNAGE

Essayer les solutions suggérées ici d'abord afin d'éviter le coût d'une visite de service non nécessaire.

Rien ne fonctionne

- **Un fusible du domicile est-il grillé ou le disjoncteur s'est-il déclenché?**
Remplacer le fusible ou réenclencher le disjoncteur. Si le problème persiste, appeler un électricien.

Les brûleurs de surface ne fonctionnent pas

- **Est-ce la première fois que les brûleurs de surface sont utilisés?** Allumer n'importe quel brûleur de surface pour libérer l'air des canalisations de gaz.
- **Le bouton de commande est-il réglé correctement?**
Pousser sur le bouton avant de le tourner à un réglage.
- **Les orifices des brûleurs sont-ils obstrués?**
Sur les modèles à brûleurs scellés, voir la section "Brûleurs de surface scellés".

Les flammes des brûleurs de surface ne sont pas uniformes, sont de teinte jaune et/ou bruyantes

- **Les orifices des brûleurs sont-ils obstrués?**
Sur les modèles à brûleurs scellés, voir la section "Brûleurs de surface scellés".
- **Sur les modèles à chapeau, les chapeaux des brûleurs sont-ils bien installés?**
Voir la section "Brûleurs de surface scellés".
- **Utilise-t-on du gaz propane?**
La cuisinière a peut-être été mal convertie. Contacter un technicien de réparation qualifié.

Le brûleur de surface émet des bruits d'éclatement

- **Le brûleur est-il mouillé?**
Le laisser sécher.

Le brûleur émet des étincelles, mais ne s'allume pas.

- **Y a-t-il une production continue d'étincelles sans que le brûleur ne s'allume?**
Discontinuer l'utilisation du brûleur de surface et contacter un technicien de service.

Chaleur excessive autour des ustensiles de cuisson sur la table de cuisson

- **L'ustensile de cuisson est-il de dimension appropriée?**
Utiliser un ustensile de cuisson à peu près de la même dimension que la surface de cuisson. L'ustensile de cuisson ne doit pas dépasser de plus de 1/2" (1,3 cm) à l'extérieur de la zone de cuisson.

Les résultats de cuisson sur la table de cuisson ne sont pas les résultats prévus

- **Utilise-t-on un ustensile de cuisson approprié?**
Voir la section "Ustensiles de cuisson".
- **Le bouton de commande est-il réglé au niveau approprié de chaleur?**
Voir la section "Commandes de table de cuisson".
- **La cuisinière est-elle d'aplomb?**
La cuisinière doit être d'aplomb pour que la plaque à frire puisse fonctionner correctement. Voir les Instructions d'installation pour des instructions de nivellement.

Le four ne fonctionne pas

- **La commande électronique du four est-elle bien réglée?**
Voir la section "Commande électronique du four".
- **Une mise en marche différée a-t-elle été réglée?**
Voir la section "Cuisson minutée/différée".
- **Le verrouillage de la commande a-t-il été réglé?**
Voir la section "Verrouillage de la commande".
- **Le mode Sabbat a-t-il été programmé?**
Voir la section "Mode Sabbat".

La température du four est trop élevée ou trop basse

- **Le calibrage de la température du four a-t-il besoin d'être ajusté?**
Voir la section "Calibrage (commande de la température du four)".

Des messages s'affichent

- **L'affichage indique-t-il une lettre suivie d'un chiffre?**
Effacer l'affichage. Voir la section "Affichage(s)". Si une lettre suivie d'un chiffre réapparaît, faire un appel de service. Voir la section "Assistance ou service".

Le programme de cuisson à la vapeur ne fonctionne pas

- **L'alimentation en eau est-elle raccordée au four?**
Voir les Instructions d'installation fournies avec ce four.
- **Le filtre doit-il être changé?**
Le four désactive les fonctions de cuisson à la vapeur jusqu'à ce que le filtre soit remplacé. Voir la section "Filtre à eau/système de filtration de l'eau".

Le programme d'autonettoyage ne fonctionne pas

- **La porte du four est-elle ouverte?**
Fermer la porte du four complètement.
- **Une fonction a-t-elle été entrée?**
Voir la section "Programme d'autonettoyage".
- **Sur certains modèles, un programme d'autonettoyage à mise en marche différée a-t-il été réglé?**
Voir la section "Programme d'autonettoyage".
- **Une mise en marche différée a-t-elle été réglée?**
Voir la section "Cuisson minutée/différée".
- **Sur les cuisinières de 48" (121,9 cm), l'un des fours est-il en cours d'autonettoyage?**
Lorsqu'un four effectue un programme d'autonettoyage, l'autre four ne peut pas être réglé pour un programme d'autonettoyage.

Les résultats de cuisson au four ne sont pas les résultats prévus

- **La température correcte est-elle réglée?**
Contre-vérifier la recette dans un livre de recettes fiable.
- **Le calibrage de la température du four est-il réglé correctement?**
Voir la section "Calibrage (commande de la température du four)".

- **Le four a-t-il été préchauffé?**
Voir la section "Cuisson au four et rôtissage".
- **Utilise-t-on un ustensile de cuisson au four approprié?**
Voir la section "Ustensiles de cuisson au four".
- **Les grilles sont-elles installées correctement?**
Voir la section "Positionnement des grilles et ustensiles de cuisson".
- **Existe-t-il une circulation d'air appropriée autour des ustensiles de cuisson?**
Voir la section "Positionnement des grilles et ustensiles de cuisson".
- **La pâte est-elle distribuée uniformément dans le plat?**
Vérifier que la pâte est répartie uniformément dans le plat.
- **Utilise-t-on une durée de cuisson appropriée?**
Ajuster la durée de cuisson.
- **La porte a-t-elle été ouverte pendant la cuisson?**
L'ouverture de la porte pour vérifier la cuisson laisse la chaleur du four s'échapper et peut nécessiter des durées de cuisson plus longues.
- **Les articles cuits au four sont-ils trop bruns à la base?**
Déplacer la grille à une position plus élevée dans le four.
- **Les bords des croûtes de tarte ont-ils bruni trop tôt?**
Utiliser du papier d'aluminium pour couvrir le bord de la croûte et/ou réduire la température de cuisson du four.

ASSISTANCE OU SERVICE

Avant de faire un appel pour assistance ou service, veuillez vérifier la section "Dépannage". Cette vérification peut vous faire économiser le coût d'une visite de service. Si vous avez encore besoin d'aide, suivez les instructions ci-dessous.

Lors d'un appel, veuillez connaître la date d'achat, le numéro de modèle et le numéro de série au complet de l'appareil. Ces renseignements nous aideront à mieux répondre à votre demande.

Si vous avez besoin de pièces de rechange

Si vous avez besoin de commander des pièces de rechange, nous vous recommandons d'employer uniquement des pièces spécifiées par l'usine. Les pièces spécifiées par l'usine conviendront et fonctionneront bien parce qu'elles sont fabriquées avec la même précision que celle utilisée dans la fabrication de chaque nouvel appareil KITCHENAID®.

Pour localiser des pièces spécifiées par l'usine dans votre région, nous appeler ou contacter le centre de service désigné KitchenAid le plus proche.

Veuillez appeler sans frais le Centre pour l'eXpérience de la clientèle de KitchenAid Canada au : **1-800-807-6777**.

Nos consultants vous renseigneront sur les sujets suivants :

- Caractéristiques et spécifications sur toute notre gamme d'appareils électroménagers.
- Consignes d'utilisation et d'entretien.
- Vente d'accessoires et de pièces de rechange.
- Références aux marchands locaux, aux distributeurs de pièces de rechange et aux compagnies de service. Les techniciens de service désignés par KitchenAid Canada sont formés pour remplir la garantie des produits et fournir un service après la garantie, partout au Canada.

Pour plus d'assistance

Si vous avez besoin de plus d'assistance, vous pouvez soumettre par écrit toute question ou préoccupation à KitchenAid Canada à l'adresse suivante :

Centre pour l'eXpérience de la clientèle
KitchenAid Canada
1901 Minnesota Court
Mississauga, Ontario L5N 3A7

Veuillez inclure dans votre correspondance un numéro de téléphone où l'on peut vous joindre dans la journée.

Accessoires

Nettoyant et poli pour acier inoxydable KitchenAid®

Commander la pièce numéro 4396920

Chiffons pour acier inoxydable KitchenAid®

Commander la pièce numéro 8212510

Nettoyant pour table de cuisson

Commander la pièce numéro 31464B

Protecteur de table de cuisson

Commander la pièce numéro 31463B

Nettoyant pour grille et plateau d'égouttement

Commander la pièce numéro 31617B

Nettoyant tout-usage pour appareils ménagers

Commander la pièce numéro 31682B

Plaque à frire

Commander la pièce numéro W10190534

Capot du gril et couvercle de la plaque à frire

Commander la pièce numéro W10160195

Cerclage de wok

Commander la pièce numéro W10216179

Lèchefrite et grille de rôtissage de qualité supérieure KitchenAid®

Commander la pièce numéro W10123240

Grille déployante coulissante SatinGlide™

30" (76,2 cm) : Commander la pièce numéro W10208155

36" (91,4 cm) : Commander la pièce numéro W10212435

Ensemble en altitude élevée pour gaz naturel

(pour un usage à une altitude supérieure à 6 500 pi [1981,2 m])

Commander la pièce numéro W10160841

Ensemble en altitude élevée pour propane

(pour un usage à une altitude supérieure à 6 500 pi [1981,2 m])

Commander la pièce numéro W10237848

Filtre à eau de rechange KitchenAid®

Commander la pièce numéro W10049700

Boutons en acier inoxydable - brûleur 6 / gril 1 / plaque à frire 1

Commander la pièce numéro W10231704

Boutons en acier inoxydable - brûleur 4 / gril 1 / plaque à frire 1

Commander la pièce numéro W10231703

Boutons en acier inoxydable - brûleur 4

Commander la pièce numéro W10231702

Dosseret réglable de 19 1/16" (50,0 cm) à 39" (99,0 cm) pour cuisinières de 30" (76,2 cm)

Commander la pièce numéro 8285148

Dosseret réglable de 19 1/16" (50,0 cm) à 39" (99,0 cm) pour cuisinières de 36" (91,4 cm)

Commander la pièce numéro 8284756

Dosseret réglable de 19 1/16" (50,0 cm) à 39" (99,0 cm) pour cuisinières de 48" (121,9 cm)

Commander la pièce numéro 8284755

Dosseret de 9" (22,9 cm) pour cuisinières de 30" (76,2 cm)

Commander la pièce numéro W10115773

Dosseret de 9" (22,9 cm) pour cuisinières de 36" (91,4 cm)

Commander la pièce numéro W10115776

Dosseret de 9" (22,9 cm) pour cuisinières de 48" (121,9 cm)

Commander la pièce numéro W10115777

Dosseret de 22" (55,9 cm) avec tablette pour cuisinières et tables de cuisson de 30" (76,2 cm)

Commander la pièce numéro W10225950

Dosseret de 22" (55,9 cm) avec tablette pour cuisinières et tables de cuisson de 36" (91,4 cm)

Commander la pièce numéro W10225949

Dosseret de 22" (55,9 cm) avec tablette pour cuisinières et tables de cuisson de 48" (121,9 cm)

Commander la pièce numéro W10225948

Ensemble de poignée Architect® II KitchenAid® de 30" (76,2 cm)

Commander la pièce numéro W10188342

Ensemble de poignée Architect® II KitchenAid® de 36" (91,4 cm)

Commander la pièce numéro W10188341

Ensemble de poignée Architect® II KitchenAid® de 48" (121,9 cm)

Commander la pièce numéro W1088343

GARANTIE DE LA CUISINIÈRE À BI-COMBUSTIBLE KITCHENAID®

GARANTIE LIMITÉE

Pendant un an à compter de la date d'achat, lorsque ce gros appareil ménager est utilisé et entretenu conformément aux instructions jointes à ou fournies avec le produit, la marque KitchenAid de Whirlpool Corporation ou Whirlpool Canada LP (ci-après désignées "KitchenAid") paiera pour les pièces spécifiées par l'usine et la main-d'œuvre pour corriger les vices de matériaux ou de fabrication. Le service doit être fourni par une compagnie de service désignée par KitchenAid. Cette garantie limitée est valide uniquement aux États-Unis ou au Canada et s'applique exclusivement lorsque l'appareil est utilisé dans le pays où il a été acheté. À l'extérieur du Canada et des 50 États des États-Unis, cette garantie limitée ne s'applique pas. Une preuve de la date d'achat original est exigée pour obtenir un service dans le cadre de la présente garantie limitée.

GARANTIE LIMITÉE DE LA DEUXIÈME À LA CINQUIÈME ANNÉE INCLUSIVEMENT SUR CERTAINS COMPOSANTS

De la deuxième à la cinquième année inclusivement à compter de la date d'achat, lorsque cet appareil ménager est utilisé et entretenu conformément aux instructions jointes à ou fournies avec le produit, KitchenAid ou KitchenAid Canada paiera pour les pièces spécifiées par l'usine pour les composants suivants, en cas de vices de matériaux ou de fabrication :

- Éléments électriques
- Pièces du système de commande à semi-conducteurs
- Brûleurs à gaz

GARANTIE LIMITÉE DE LA DEUXIÈME À LA DIXIÈME ANNÉE INCLUSIVEMENT SUR LA CAVITÉ ET LES PORTES DU FOUR À INJECTION DE VAPEUR

De la deuxième à la dixième année inclusivement à compter de la date d'achat, lorsque ce gros appareil est utilisé et entretenu conformément aux instructions jointes à ou fournies avec le produit, KitchenAid paiera pour les pièces spécifiées par l'usine pour la cavité du four en porcelaine et la porte intérieure si la pièce rouille de part en part du fait de vices de matériaux ou de fabrication.

ARTICLES EXCLUS DE LA GARANTIE

La présente garantie limitée ne couvre pas :

1. Les visites de service pour rectifier l'installation du gros appareil ménager, montrer à l'utilisateur comment utiliser l'appareil, remplacer ou réparer des fusibles ou rectifier le câblage ou la plomberie du domicile.
2. Les visites de service pour réparer ou remplacer les ampoules électriques de l'appareil, les filtres à air ou les filtres à eau. Les pièces consommables ne sont pas couvertes par la garantie.
3. Les réparations lorsque le gros appareil ménager est utilisé à des fins autres que l'usage unifamilial normal ou lorsque les instructions d'installation et/ou les instructions de l'opérateur ou de l'utilisateur fournies ne sont pas respectées.
4. Les dommages imputables à : accident, modification, usage impropre ou abusif, incendie, inondation, actes de Dieu, installation fautive ou installation non conforme aux codes d'électricité ou de plomberie, ou l'utilisation de pièces consommables ou de produits nettoyants non approuvés par KitchenAid.
5. Les défauts apparents, notamment les éraflures, les bosses, fissures ou tout autre dommage au fini du gros appareil ménager, à moins que ces dommages soient dus à des vices de matériaux ou de fabrication et soient signalés à KitchenAid dans les 30 jours suivant la date d'achat.
6. Les coûts associés au transport du gros appareil ménager du domicile pour réparation. Ce gros appareil ménager est conçu pour être réparé à domicile et seul le service à domicile est couvert par la présente garantie.
7. Les réparations aux pièces ou systèmes résultant d'une modification non autorisée faite à l'appareil.
8. Les frais de transport pour le service d'un produit si votre gros appareil est situé dans une région éloignée où un service d'entretien KitchenAid autorisé n'est pas disponible.
9. La dépose et la réinstallation de votre gros appareil si celui-ci est installé dans un endroit inaccessible ou n'est pas installé conformément aux instructions d'installation fournies.
10. Les gros appareils ménagers dont les numéros de série et de modèle originaux ont été enlevés, modifiés ou qui ne peuvent pas être facilement identifiés. La présente garantie est nulle si le numéro de série d'usine a été modifié ou enlevé du gros appareil ménager.

Le coût d'une réparation ou des pièces de rechange dans le cadre de ces circonstances exclues est à la charge du client.

CLAUSE D'EXONÉRATION DE RESPONSABILITÉ AU TITRE DES GARANTIES IMPLICITES; LIMITATION DES RECOURS

LE SEUL ET EXCLUSIF RECOURS DU CLIENT DANS LE CADRE DE LA PRÉSENTE GARANTIE LIMITÉE CONSISTE EN LA RÉPARATION PRÉVUE CI-DESSUS. LES GARANTIES IMPLICITES, Y COMPRIS LES GARANTIES APPLICABLES DE QUALITÉ MARCHANDE ET D'APTITUDE À UN USAGE PARTICULIER, SONT LIMITÉES À UN AN OU À LA PLUS COURTE PÉRIODE AUTORISÉE PAR LA LOI. KITCHENAID N'ASSUME AUCUNE RESPONSABILITÉ POUR LES DOMMAGES FORTUITS OU INDIRECTS. CERTAINES JURIDICTIONS NE PERMETTENT PAS L'EXCLUSION OU LA LIMITATION DES DOMMAGES FORTUITS OU INDIRECTS, OU LES LIMITATIONS DE LA DURÉE DES GARANTIES IMPLICITES DE QUALITÉ MARCHANDE OU D'APTITUDE À UN USAGE PARTICULIER, DE SORTE QUE CES EXCLUSIONS OU LIMITATIONS PEUVENT NE PAS S'APPLIQUER DANS VOTRE CAS. CETTE GARANTIE VOUS CONFÈRE DES DROITS JURIDIQUES SPÉCIFIQUES ET VOUS POUVEZ ÉGALEMENT JOUIR D'AUTRES DROITS QUI PEUVENT VARIER D'UNE JURIDICTION À UNE AUTRE.

Si vous résidez à l'extérieur du Canada et des 50 États des États-Unis, contactez votre marchand KitchenAid autorisé pour déterminer si une autre garantie s'applique.

Si vous avez besoin de service, voir d'abord la section "Dépannage" du Guide d'utilisation et d'entretien. Après avoir vérifié la section "Dépannage", de l'aide supplémentaire peut être trouvée en vérifiant la section "Assistance ou service" ou en appelant KitchenAid. Aux É.-U., composer le **1-800-422-1230**. Au Canada, composer le **1-800-807-6777**. 1/08

Conservez ce manuel et votre reçu de vente ensemble pour référence ultérieure. Pour le service sous garantie, vous devez présenter un document prouvant la date d'achat ou d'installation.

Inscrivez les renseignements suivants au sujet de votre gros appareil ménager pour mieux vous aider à obtenir assistance ou service en cas de besoin. Vous devrez connaître le numéro de modèle et le numéro de série au complet. Vous trouverez ces renseignements sur la plaque signalétique située sur le produit.

Nom du marchand _____

Adresse _____

Numéro de téléphone _____

Numéro de modèle _____

Numéro de série _____

Date d'achat _____

Notes

W10285549A

© 2009. All rights reserved.
Tous droits réservés.

® Registered Trademark/TM Trademark of KitchenAid, U.S.A., KitchenAid Canada licensee in Canada
® Marque déposée/TM Marque de commerce de KitchenAid, U.S.A., Emploi sous licence par KitchenAid Canada au Canada

7/09
Printed in U.S.A.
Imprimé aux É.-U.