

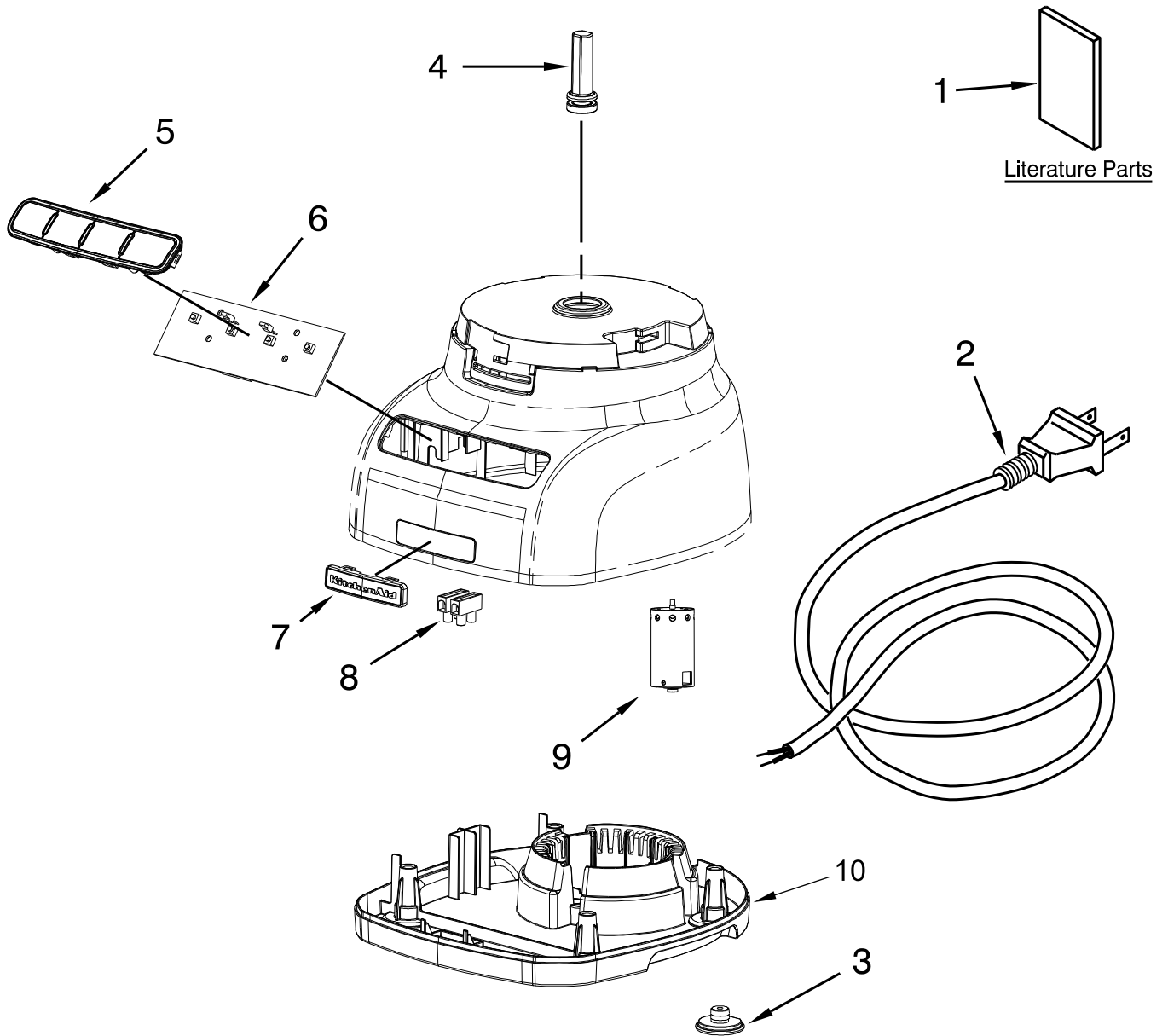
**KitchenAid®**

**9-CUP FOOD PROCESSOR**

**MODELS:**

KFP0922WH0 (White)  
KFP0922OB0 (Onyx Black)  
KFP0922CU0 (Contour Silver)  
KFP0922BD0 (Brushed Chrome)  
KFP0924CU0 (Contour Silver)

# MOTOR AND HOUSING UNIT



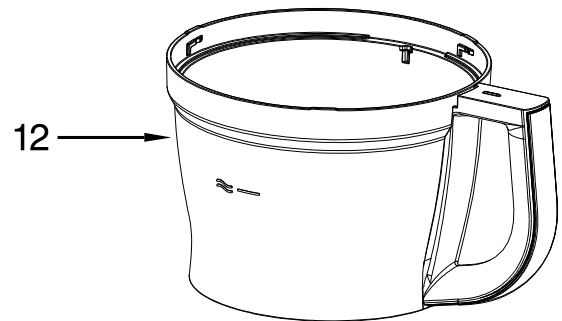
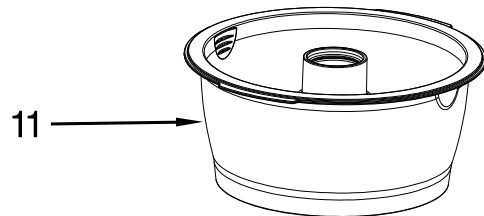
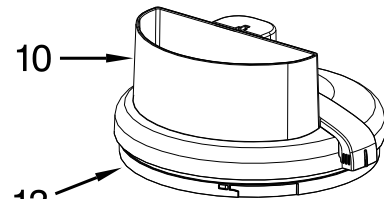
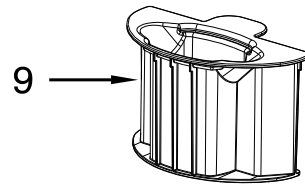
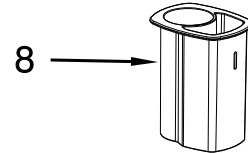
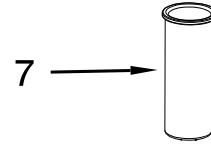
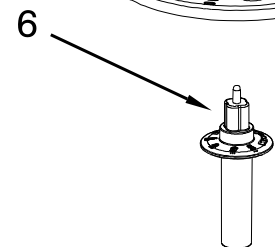
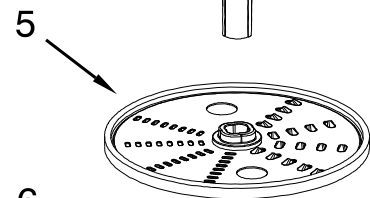
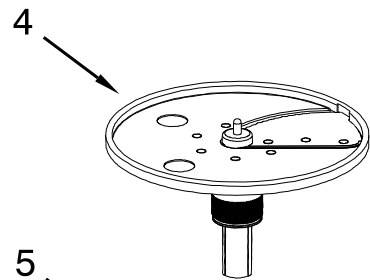
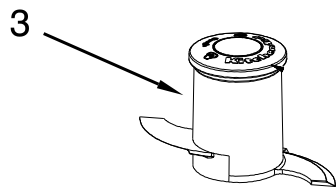
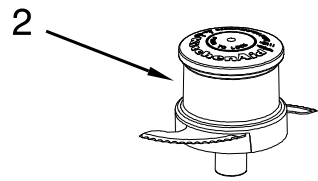
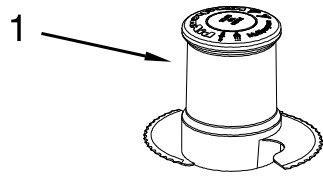
# MOTOR AND HOUSING UNIT

| <u>Illus.</u><br><u>No.</u> | <u>Part No.</u> | <u>Description</u>    |
|-----------------------------|-----------------|-----------------------|
| 1                           |                 | Literature Parts      |
|                             | W10414535       | Use and Care Guide    |
| 2                           | W10451329       | Cord, Power (2-Prong) |
| 3                           | W10451320       | Foot                  |

| <u>Illus.</u><br><u>No.</u> | <u>Part No.</u> | <u>Description</u> |
|-----------------------------|-----------------|--------------------|
| 4                           | W10466880       | Shaft, Motor       |
| 5                           | W10466886       | Panel, Control     |
| 6                           | W10466879       | PCBA Assembly      |
| 7                           | W10466885       | Nameplate          |
| 8                           | W10451322       | Block, Terminal    |

| <u>Illus.</u><br><u>No.</u> | <u>Part No.</u> | <u>Description</u> |
|-----------------------------|-----------------|--------------------|
| 9                           | W10467162       | Motor              |
| 10                          |                 | Base, Housing      |
|                             | W10592577       | Onyx Black         |

# ATTACHMENT PARTS



# ATTACHMENT PARTS

| <u>Illus.</u><br><u>No.</u> | <u>Part No.</u> | <u>Description</u>           |
|-----------------------------|-----------------|------------------------------|
| 1                           | W10466829       | Blade, Multipurpose          |
| 2                           | W10466831       | Blade, Mini                  |
| 3                           | W10466836       | Blade, Dough                 |
| 4                           | W10466837       | Blade, Adjustable<br>Slicing |
| 5                           | W10466841       | Disc, Shredding              |
| 6                           | W10466843       | Adapter, Shredding           |

| <u>Illus.</u><br><u>No.</u> | <u>Part No.</u> | <u>Description</u>  |
|-----------------------------|-----------------|---------------------|
| 7                           | W10466847       | Pusher, Round       |
| 8                           | W10466865       | Pusher, Regular     |
| 9                           | W10466876       | Pusher, Wide Mouth  |
| 10                          | W10466844       | Lid, Clear          |
| 11                          | W10466846       | Bowl, Mini          |
| 12                          | W10466845       | Bowl, 9-Cup (Clear) |

| <u>Illus.</u><br><u>No.</u> | <u>Part No.</u> | <u>Description</u>                |
|-----------------------------|-----------------|-----------------------------------|
| 13                          | W10480167       | Gasket, Lid                       |
|                             |                 | OPTIONAL PARTS<br>NOT ILLUSTRATED |
|                             | W10633132       | Disc, Cutting (French<br>Fry)     |