

CABINET LINER AND DOOR PARTS

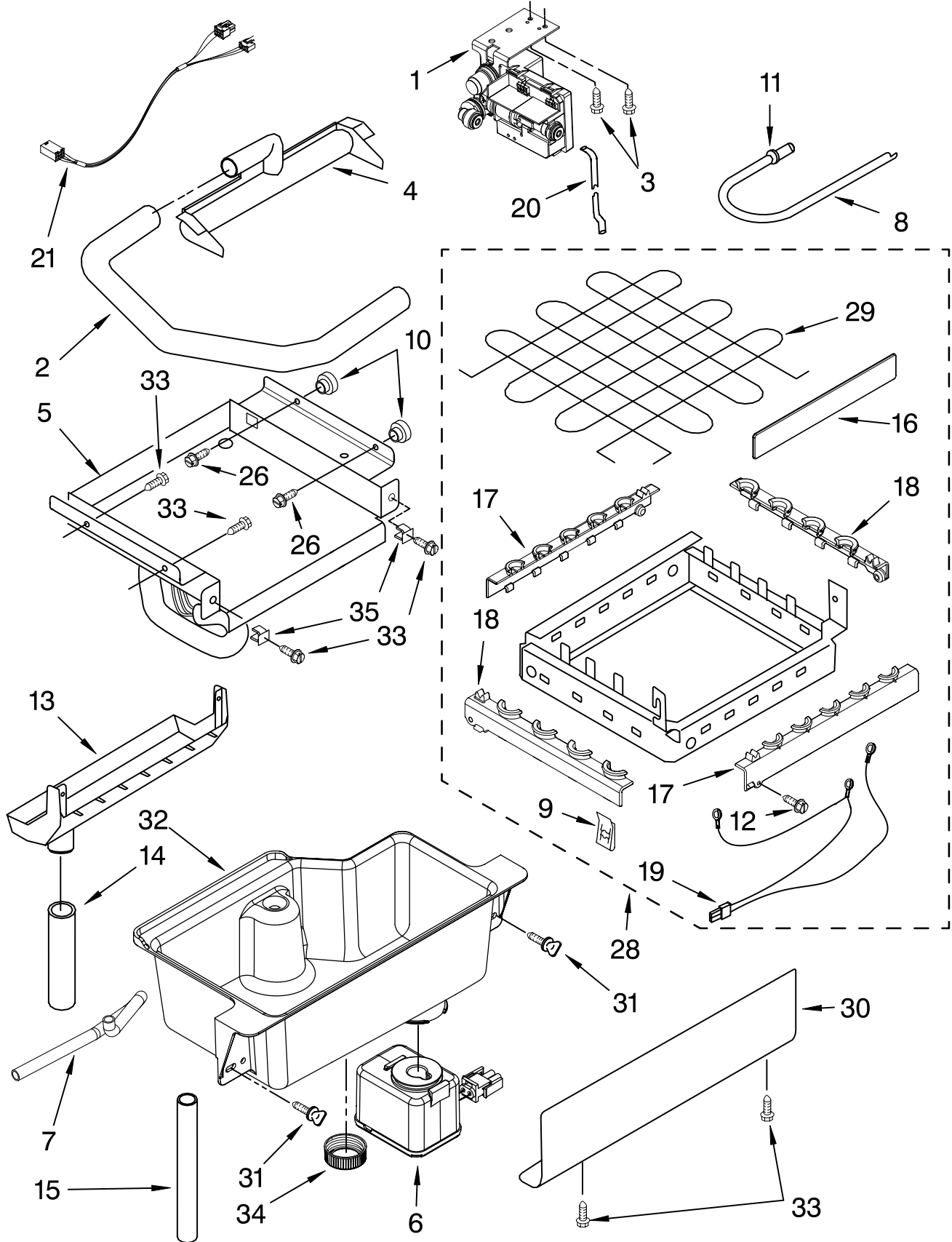
For Model: KUIC15NRTS2
(Stainless Steel)

Illus. No.	Part No.	DESCRIPTION	Illus. No.	Part No.	DESCRIPTION	Illus. No.	Part No.	DESCRIPTION
1		Literature Parts	15	2217294	Gasket, Door	31	3400237	Screw
	W10136156	Use & Care Guide	16	2185640	Sleeve, Hinge	32	2189000	Plug, Handle
	W10163556	Service & Wiring Sheet	17	W10046610	Nameplate	33	2185711	Hinge, Bottom
			18	2185710	Hinge, Top	34	2185712	Pin, Hinge
2	3400886	Screw	19	2185709	Shim, Hinge	35	489048	Screw, Ground
3	2185742	Bin, Door	20	9872207S	Handle, Door	36	692400	Nut, Push-In
4	2185678	Spacer	22	W10136199	Assembly, Unit Cover	37	3400240	Nut, Leg Leveler
5	2217394	Cover, Wiring	23	8281186	Screw	38	348689	Screw
6	489442	Screw	24		Filler, Endcap	39	8281265	Screw
7	2932803B	Door		2185655B	Left Side	40	2185927	Holder, Scoop
8	2185695	Cam, Door		2185656B	Right Side	41	8281228	Thumbscrew
9	2217393	Assembly, Magnetic Catch	25	2185756	Pad, Foam	42	3374849	Leg, Leveler (4)
10	941839	Plug, Hole	26	2185691	Channel, Wiring	43	2155774	Strap
11	2208136	Clamp	27	2185964	Grommet, Edge Guard (2)	44	2929700B	Top
12	2313815	Wrap, Door				45	2185690	Shield, Electrical
13	2217367	Gasket, Bottom	28	2185989	Tube, Drain	46	W10163530	Gasket, Top Panel
14	489503	Clamp	29	585158	Scoop	47	2185571B	Grill, Front
			30	3400884	Screw	48	489474	Screw
						49		Cabinet & Liner (NOT SERVICED)

FOR ORDERING INFORMATION REFER TO PARTS PRICE LIST

EVAPORATOR, ICE CUTTER GRID AND WATER PARTS

For Model: KUIC15NRTS2
(Stainless Steel)



FOR ORDERING INFORMATION REFER TO PARTS PRICE LIST

EVAPORATOR, ICE CUTTER GRID AND WATER PARTS

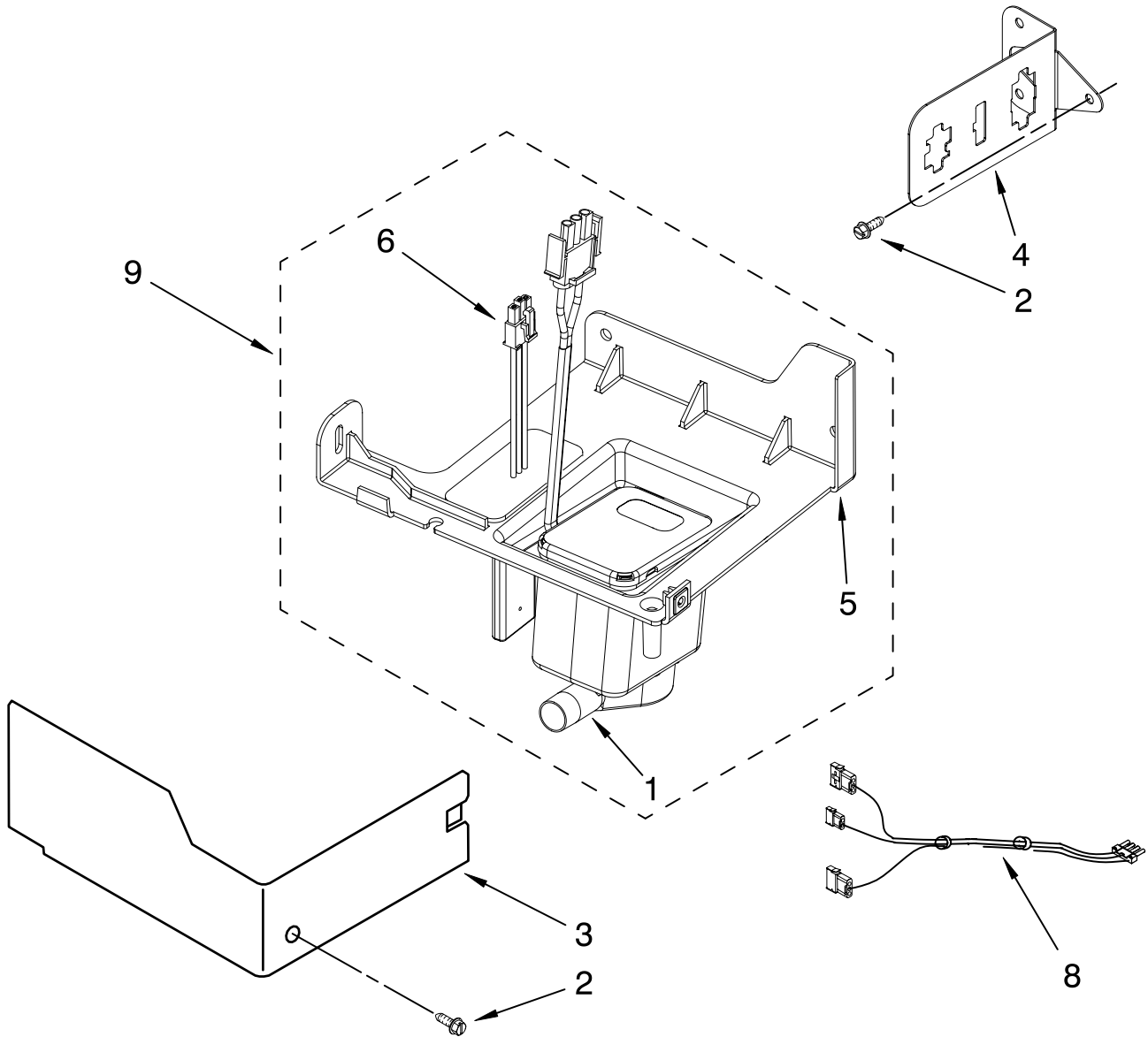
For Model: KUIC15NRTS2
(Stainless Steel)

Illus. No.	Part No.	DESCRIPTION
1	W10217917	Valve, Complete Water
2	2217286	Tube, Plastic
3	488208	Screw
4	2185523	Dispenser, Water
5	2217269	Evaporator
6	2313705	Pump, Drain
7	2313851	Tube, Reservoir Pump
8	2172593	Tube, Water Fill
9	488660	Nut, Speed
10	836667	Spacer
11	2208539	Fastener, Pushnut
12	489443	Screw
13	2185625	Reservoir, Water Slide
14	2185626	Tube
15	2313890	Hose, Overflow
16	2313604	Guide-Ice, Grid
17	2313603	Bracket, Front and Rear
18	2313602	Bracket, Side Left and Right
19	2185681	Harness, Grid
20	W10136146	Tube
21	2310169	Wire Assembly (Valve)
26	3400886	Screw
28	2313637	Grid Assembly (Complete)
29	2174754	Wire, Grid Cutter
30	2185570	Cover, Grid
31	8281228	Thumbscrew
32	2324334	Reservoir, Water
33	3400884	Screw
34	2185696	Cap, Drain
35	3400909	Nut, Push-In

FOR ORDERING INFORMATION REFER TO PARTS PRICE LIST

PUMP PARTS

For Model: KUIC15NRTS2
(Stainless Steel)



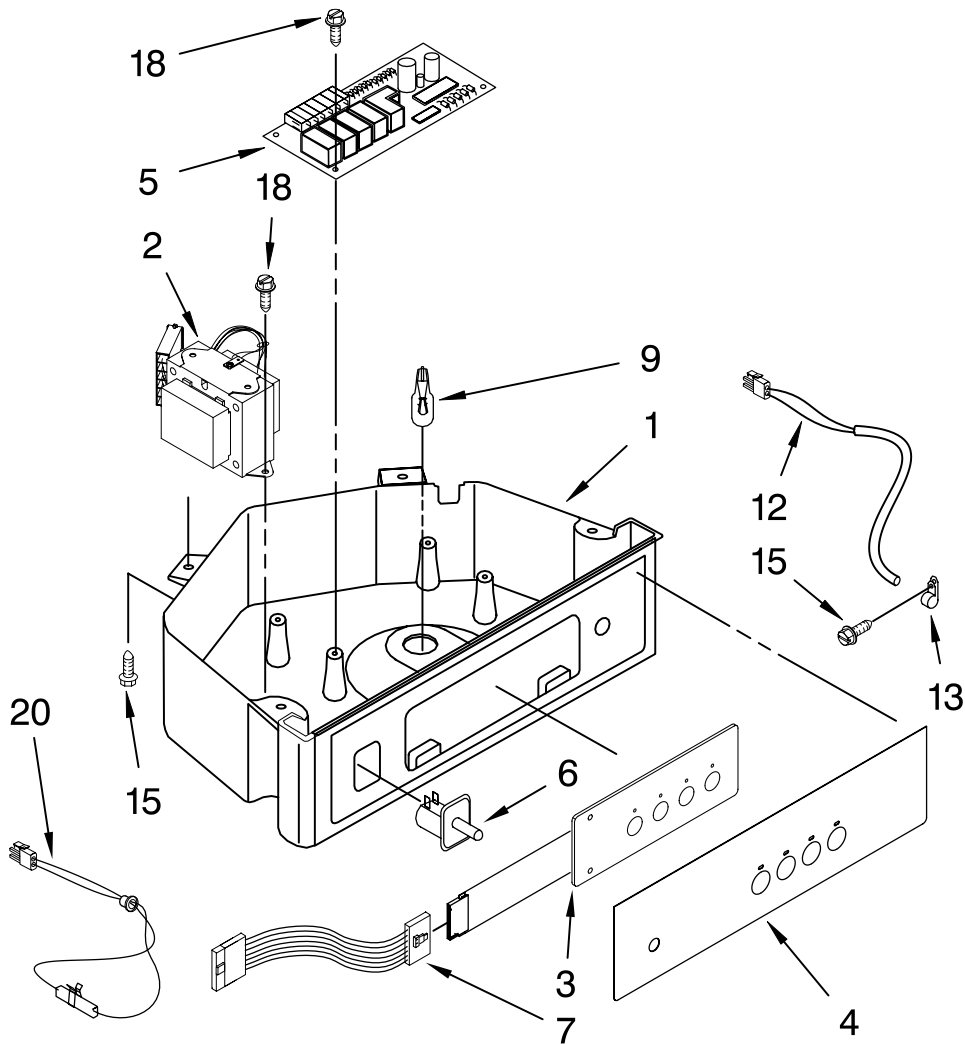
Illus. No.	Part No.	DESCRIPTION
------------	----------	-------------

- | | | |
|---|---------|-----------------------------|
| 1 | 2313628 | Pump-Recirculating |
| 2 | 3400884 | Screw 8-18 X 5/8 |
| 3 | 2185677 | Cover, Pump |
| 4 | 2313844 | Bracket, Connector Assembly |
| 5 | 2313627 | Bracket-Pump |
| 6 | 2313643 | Sensor-Water Level |
| 8 | 2310092 | Wiring Harness Main To Pump |
| 9 | 2313702 | Pump Assembly |

FOR ORDERING INFORMATION REFER TO PARTS PRICE LIST

CONTROL PANEL PARTS

For Model: KUIC15NRTS2
(Stainless Steel)



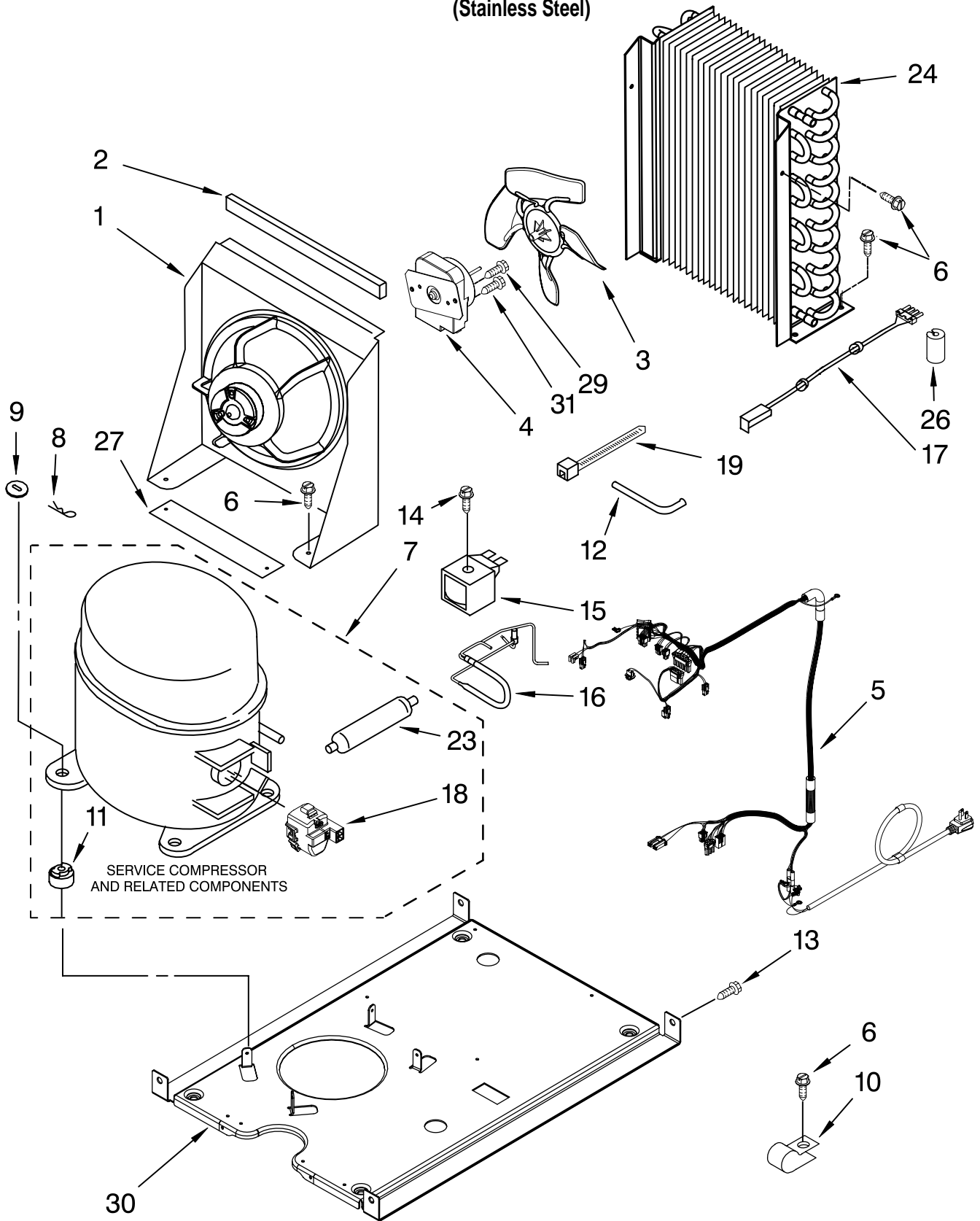
**Illus. Part
No. No. DESCRIPTION**

1	2185738	Box, Control
2	2310139	Transformer
3	2304122	Assembly, Switch (ALSO ORDER #4)
4	2313693	Overlay
5	W10141364	Control Board
6	2149705	Switch, Plunger Grid/Light
7	2187585	Wire Assy-Active Overlay Jumper
9	745362	Bulb
12	2313633	Thermostat, Bin
13	2185825	Clamp
15	3400884	Screw
18	3400850	Screw
20	2313635	Thermister, Ice Control

FOR ORDERING INFORMATION REFER TO PARTS PRICE LIST

UNIT PARTS

For Model: KUIC15NRTS2
(Stainless Steel)



FOR ORDERING INFORMATION REFER TO PARTS PRICE LIST

UNIT PARTS

For Model: KUIC15NRTS2
(Stainless Steel)

Illus. No.	Part No.	DESCRIPTION
1	2185532	Bracket, Fan Mtg.
2	2185675	Pad, Foam
3	2188935	Blade, Fan
4	2315558	Motor & Mounting Plate Assembly
5	W10209470	Wiring Harness, Complete Unit (Includes Power Cord)
6	304392	Screw
7	W10136195	Compressor (Includes Illus. 11 & 23)
8	A201435	Clip, Mounting
9	A201441	Shim (4)
10	2185960	Clamp-Service Cord
11		Grommet (4)
	2217318	Production
	4387558	Service
12	2208415	Tube, Process
13	8281265	Screw
14	489472	Screw
15	W10206473	Coil, Solenoid
16	2313806	Hot Gas Valve
17	2187629	Wiring Harness, Condenser Fan
18	W10136197	Start Relay & Overload Combo Device
19	2155774	Strap
23		Drier
	2319826	Production
	4387019	Service
24	2313624	Condenser
26	2319835	Grommet-Cond.(1)
27	2217397	Pad, Foam (2)
29	8281197	Screw
30	2217388	Base, Unit
31	8281196	Screw

REFRIGERANT CHARGE

6.5 OZ. (R134A)

OPTIONAL PARTS (NOT INCLUDED)

For Model: KUIC15NRTS2
(Stainless Steel)

Illus. No.	Part No.	DESCRIPTION
-----------------------	---------------------	--------------------

Parts Not Illustrated and
Optional Parts (Not Included)

8171307	Cleaner, Icemaker
503695	Sealer, Cork (1/4 Pound)
797403	Cement, Insulation (1 Oz.)
505587	Sealer, Mastic (1 Qt.)
212643	Sealer, Gum (22 Pcs. 3/16" x 7")
479976	Kit, Insulation (5 Pcs. 3" x 24" x 48")
8537055	Cleaner, Stainless Steel
978025	Valve, Access (1/4")
978026	Valve, Access (5/16")
978027	Valve, Access (3/8")
978028	Valve, Access (1/2")
978029	Valve, Access (5/8")
978030	Valve, Access (3/4")

ACCESSORIES

	Previous Architect Series Handle Kit
2217442S	Handle Door-SS

FOR ORDERING INFORMATION REFER TO PARTS PRICE LIST