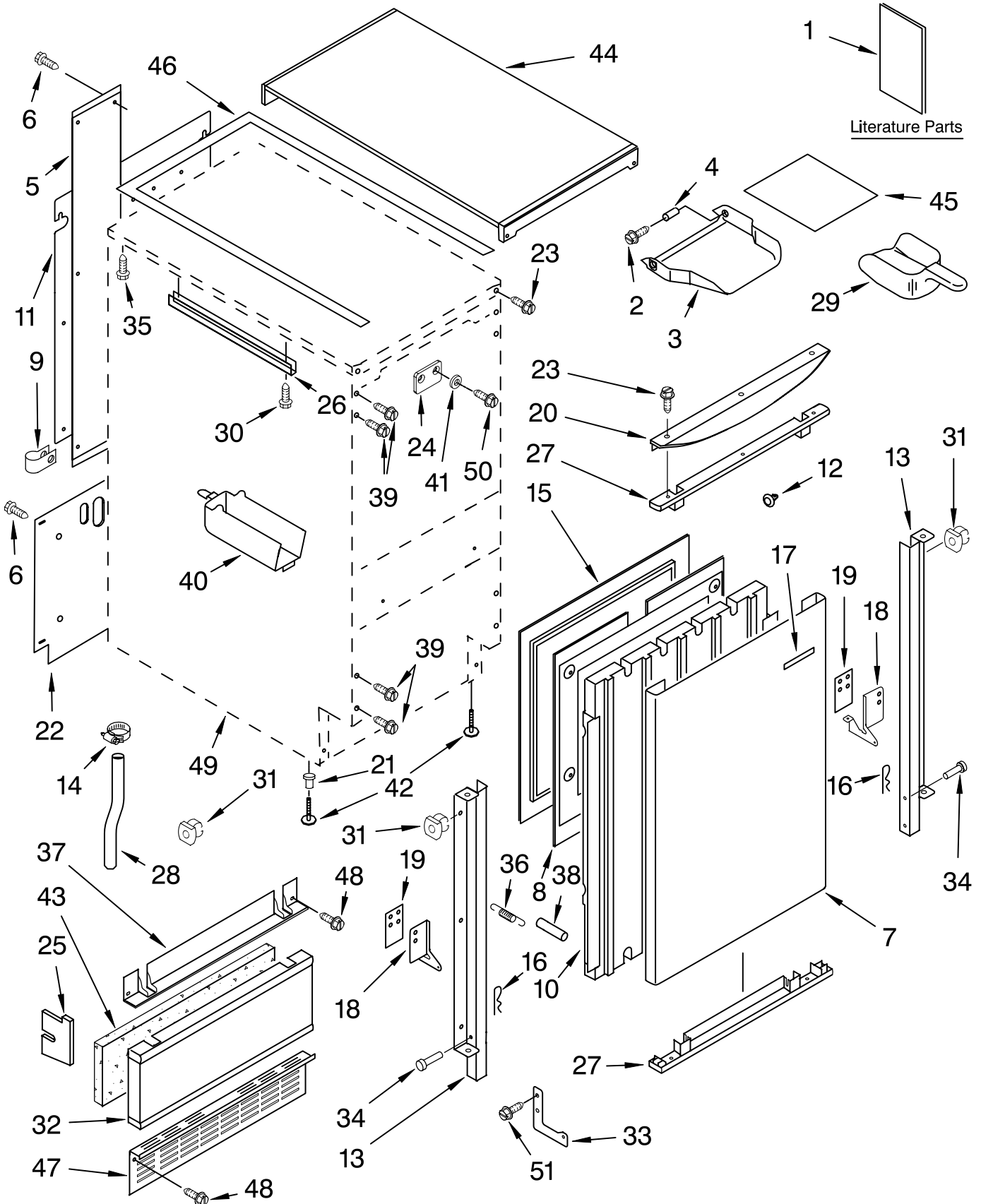


# CABINET LINER AND DOOR PARTS

For Models: KUIS18NNJW8, KUIS18NNJT8, KUIS18NNJB8, KUIS18NNJS8  
(White) (Biscuit) (Black) (Stainless Steel)

ICE CUBE  
MAKER



FOR ORDERING INFORMATION REFER TO PARTS PRICE LIST

# CABINET LINER AND DOOR PARTS

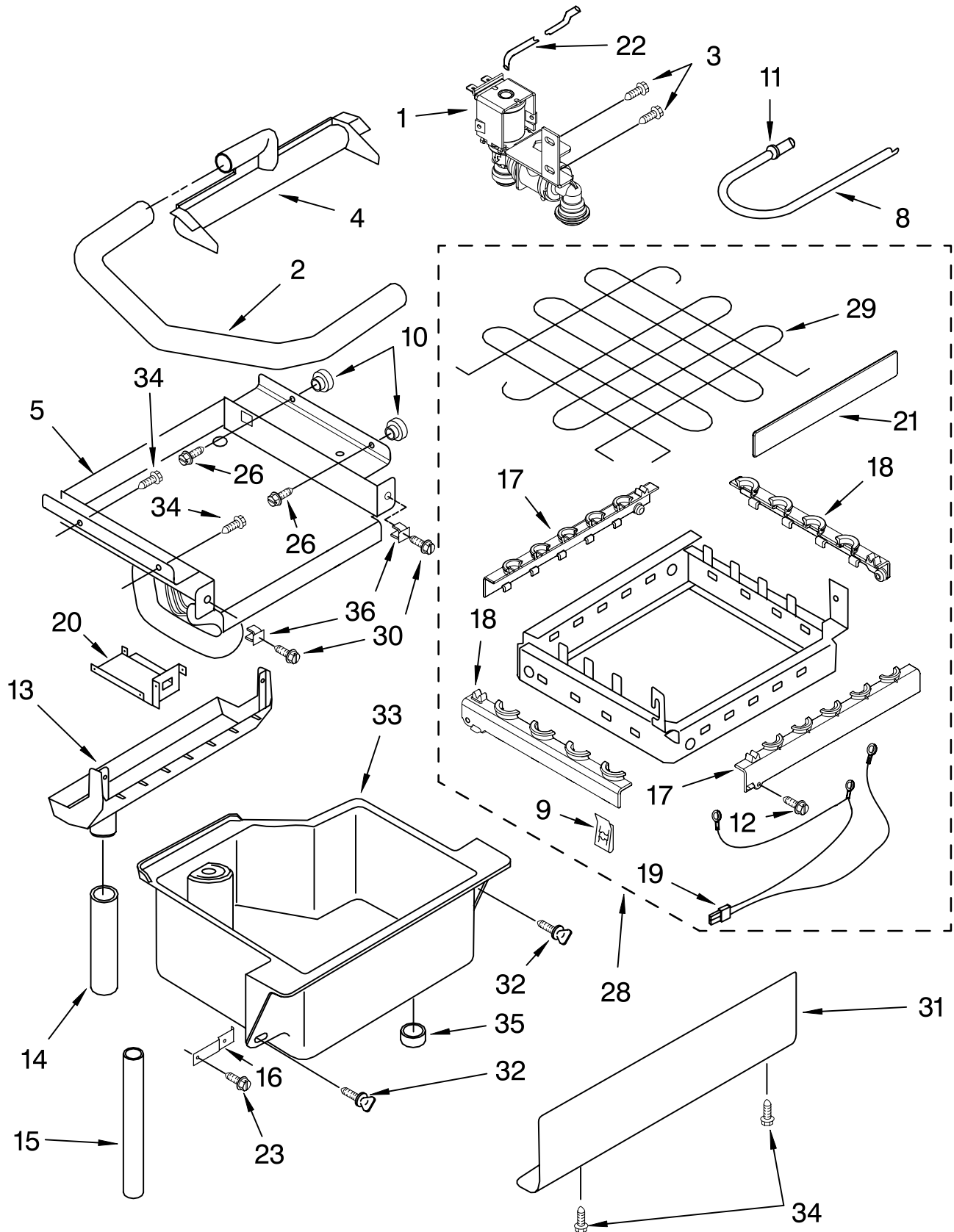
For Models: KUIS18NNJW8, KUIS18NNJT8, KUIS18NNJB8, KUIS18NNJS8  
(White) (Biscuit) (Black) (Stainless Steel)

| Illus. No. | Part No. | DESCRIPTION            | Illus. No. | Part No. | DESCRIPTION          | Illus. No. | Part No. | DESCRIPTION                    |
|------------|----------|------------------------|------------|----------|----------------------|------------|----------|--------------------------------|
| 1          |          | Literature Parts       | 18         |          | Hinge                | 33         | 2208487  | Bracket, Spring                |
|            | 2313788  | Use & Care Guide       |            | 2208425  | (Left Side)          | 34         | 2208417  | Pin, Hinge                     |
|            | 2313728  | Service & Wiring Sheet |            | 2208426  | (Right Side)         | 35         | 489048   | Screw, Ground                  |
| 2          | 3400886  | Screw 8-18 x 1 1/4     | 19         | 2208401  | Shim, Hinge          | 36         | 2208480  | Spring, Hinge                  |
| 3          | 2208354  | Bin, Door              | 20         |          | Handle, Door         | 37         |          | Endcap, Panel                  |
| 4          | 2185678  | Spacer                 |            | 2208440W | White                |            | 2208383W | White                          |
| 5          | 2217394  | Cover, Wiring          |            | 2208440T | Biscuit              |            | 2208383T | Biscuit                        |
| 6          | 489442   | Screw                  |            | 2208440B | Black                |            | 2208383B | Black                          |
| 7          |          | Panel, Exterior Door   | 21         | 3400240  | Nut, Leg Leveler     | 38         | 2208529  | Dampener, Spring               |
|            | 2208352W | White                  | 22         | 2208399  | Assembly, Unit Cover | 39         | 489423   | Screw                          |
|            | 2208352T | Biscuit                |            |          | Screw, Handle        | 40         | 2208449  | Holder, Scoop                  |
|            | 2208352B | Black                  | 23         |          | White                | 41         | 3400916  | Washer                         |
|            | 2208352S | Stainless Steel        |            | 8281188  | Biscuit              | 42         | 3374849  | Leg, Leveler (4)               |
| 8          | 2217298  | Panel, Interior        |            | 8281187  | Black                | 43         | 2208384  | Insulation                     |
| 9          | 8208136  | Clamp, Tube            | 24         | 2208434  | Strike, Magnet       | 44         |          | Top                            |
| 10         | 2208377  | Insulation             | 25         | 2217225  | Pad, Foam            |            | 2929701W | White                          |
| 11         | 2217227  | Ballast-Back, I.M.     | 26         | 2185691  | Channel, Wiring      |            | 2929701T | Biscuit                        |
| 12         | 941839   | Hole Plug              | 27         |          | Endcap, Door         |            | 2929701B | Black                          |
| 13         |          | Bracket, Door          |            | 2208350W | White                | 45         | 2185690  | Shield, Electrical             |
|            | 2217466  | (Left Side)            |            | 2208350T | Biscuit              | 46         | 2217296  | Gasket, Top Panel              |
|            | 2217465  | (Right Side)           |            | 2208350B | Black                | 47         |          | Grill, Front                   |
| 14         | 489503   | Clamp                  | 28         | 2208453  | Tube, Drain          |            | 2217206W | White                          |
| 15         | 2217295  | Gasket, Door           | 29         | 2208386  | Scoop                |            | 2217206T | Biscuit                        |
| 16         | 2208535  | Clip                   | 30         | 3400884  | Screw 8-18 x 5/8     |            | 2217206B | Black                          |
| 17         |          | Nameplate              | 31         | 692400   | Nut, Push-In         | 48         | 489474   | Screw 8-18 x 1                 |
|            | 2212760  | White                  | 32         |          | Panel, Lower         | 49         |          | Cabinet & Liner (NOT SERVICED) |
|            | 2212761  | Biscuit                |            | 2208382W | White                | 50         | 8281191  | Screw                          |
|            | 2212762  | Black                  |            | 2208382T | Biscuit              | 51         | 488208   | Screw                          |
|            |          |                        |            | 2208382B | Black                |            |          |                                |
|            |          |                        |            | 2208382S | Stainless Steel      |            |          |                                |

FOR ORDERING INFORMATION REFER TO PARTS PRICE LIST

# EVAPORATOR, ICE CUTTER GRID AND WATER PARTS

For Models: KUIS18NNJW8, KUIS18NNJT8, KUIS18NNJB8, KUIS18NNJS8  
(White) (Biscuit) (Black) (Stainless Steel)



FOR ORDERING INFORMATION REFER TO PARTS PRICE LIST

# EVAPORATOR, ICE CUTTER GRID AND WATER PARTS

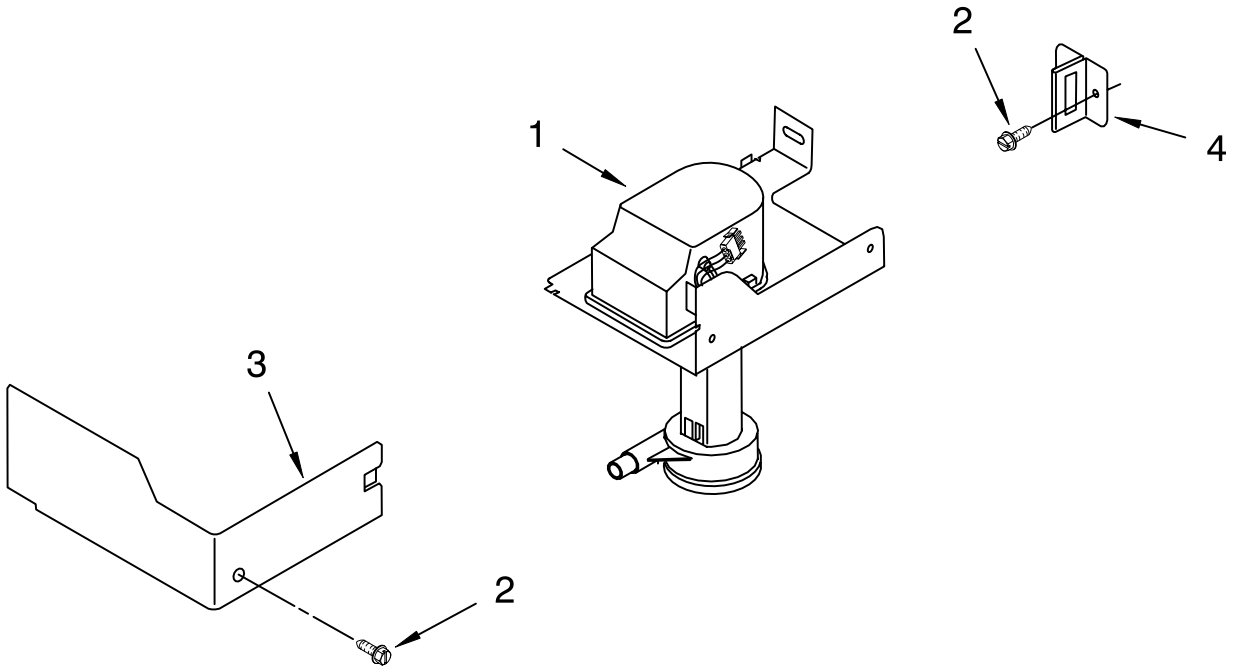
For Models: KUIS18NNJW8, KUIS18NNJT8, KUIS18NNJB8, KUIS18NNJS8  
(White) (Biscuit) (Black) (Stainless Steel)

| <b>Illus. No.</b> | <b>Part No.</b> | <b>DESCRIPTION</b>               |
|-------------------|-----------------|----------------------------------|
| 1                 | 2313644         | Valve, Complete Water            |
| 2                 | 2217286         | Tube, Plastic                    |
| 3                 | 488208          | Screw                            |
| 4                 | 2185523         | Dispenser, Water                 |
| 5                 | 2217269         | Evaporator                       |
| 8                 | 2172593         | Tube, Water Fill                 |
| 9                 | 488660          | Nut, Speed                       |
| 10                | 836667          | Spacer                           |
| 11                | 2208539         | Fastener, Pushnut                |
| 12                | 489443          | Screw                            |
| 13                | 2185625         | Reservoir, Water Slide           |
| 14                | 2185626         | Tube                             |
| 15                | 2185673         | Hose, Overflow                   |
| 16                | 2217378         | Support, Reservoir Bracket       |
| 17                | 2313603         | Bracket, Front and Rear          |
| 18                | 2313602         | Bracket, Side Left and Right     |
| 19                | 2185681         | Harness, Grid                    |
| 20                | 2208427         | Support, Bracket Evaporator/Grid |
| 21                | 2313604         | Guide, Ice Grid                  |
| 22                | 2313745         | Tube                             |
| 23                | 8281193         | Screw                            |
| 26                | 3400886         | Screw 8-18 x 1 1/4               |
| 28                | 2313637         | Grid Assembly (Complete)         |
| 29                | 2174754         | Wire, Grid Cutter                |
| 30                | 8281192         | Screw                            |
| 31                | 2208365         | Cover, Grid                      |
| 32                | 8281228         | Thumbscrew                       |
| 33                | 8201653         | Reservoir, Water                 |
| 34                | 3400884         | Screw 8-18 x 5/8                 |
| 35                | 2185696         | Cap, Drain                       |
| 36                | 3400909         | Nut, Push-In                     |

FOR ORDERING INFORMATION REFER TO PARTS PRICE LIST

# PUMP PARTS

For Models: KUIS18NNJW8, KUIS18NNJT8, KUIS18NNJB8, KUIS18NNJS8  
 (White) (Biscuit) (Black) (Stainless Steel)

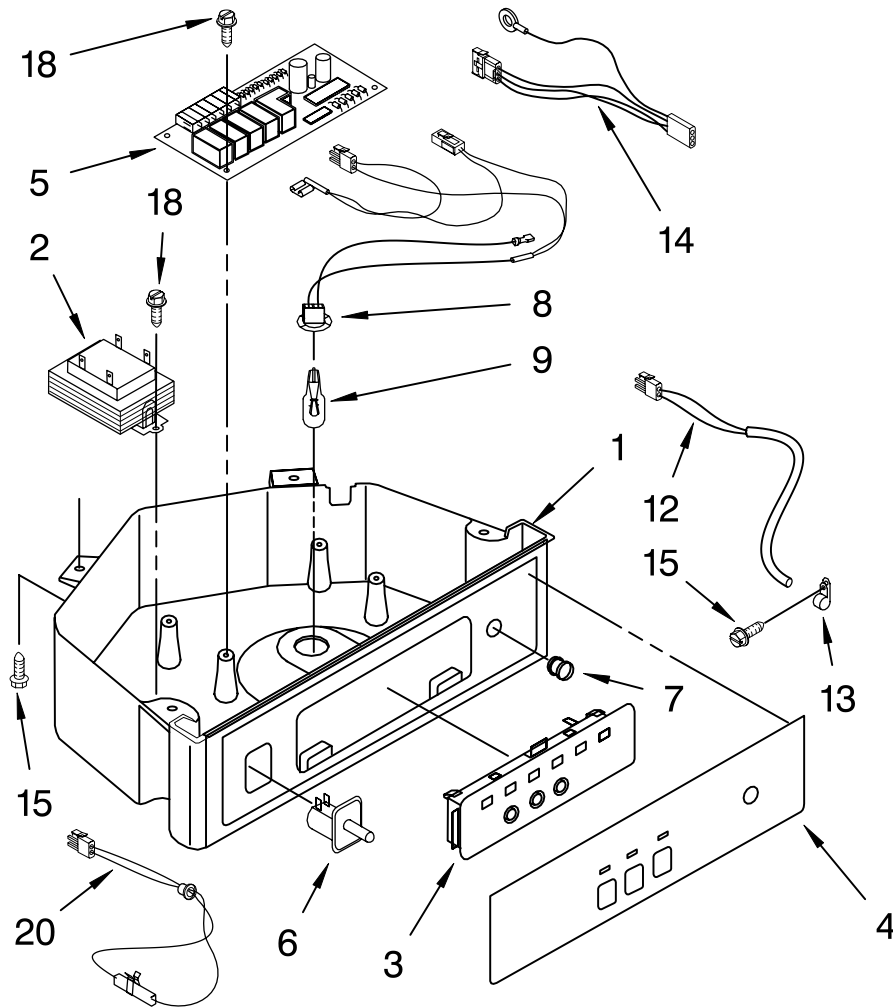


| Illus. No. | Part No. | DESCRIPTION                 |
|------------|----------|-----------------------------|
| 1          | 2217220  | Pump, Water (Complete)      |
| 2          | 3400884  | Screw 8-18 x 5/8            |
| 3          | 2185677  | Cover, Pump                 |
| 4          | 2185585  | Bracket, Connector Assembly |

FOR ORDERING INFORMATION REFER TO PARTS PRICE LIST

# CONTROL PANEL PARTS

For Models: KUIS18NNJW8, KUIS18NNJT8, KUIS18NNJB8, KUIS18NNJS8  
 (White) (Biscuit) (Black) (Stainless Steel)



| Illus. No. | Part No. | DESCRIPTION                         |
|------------|----------|-------------------------------------|
| 1          | 2185738  | Box, Control                        |
| 2          | 2185657  | Transformer                         |
| 3          | 2185592  | Assembly, Switch<br>(ALSO ORDER #4) |
| 4          | 2208317W | Overlay                             |
| 5          | 2304016  | Control Board                       |

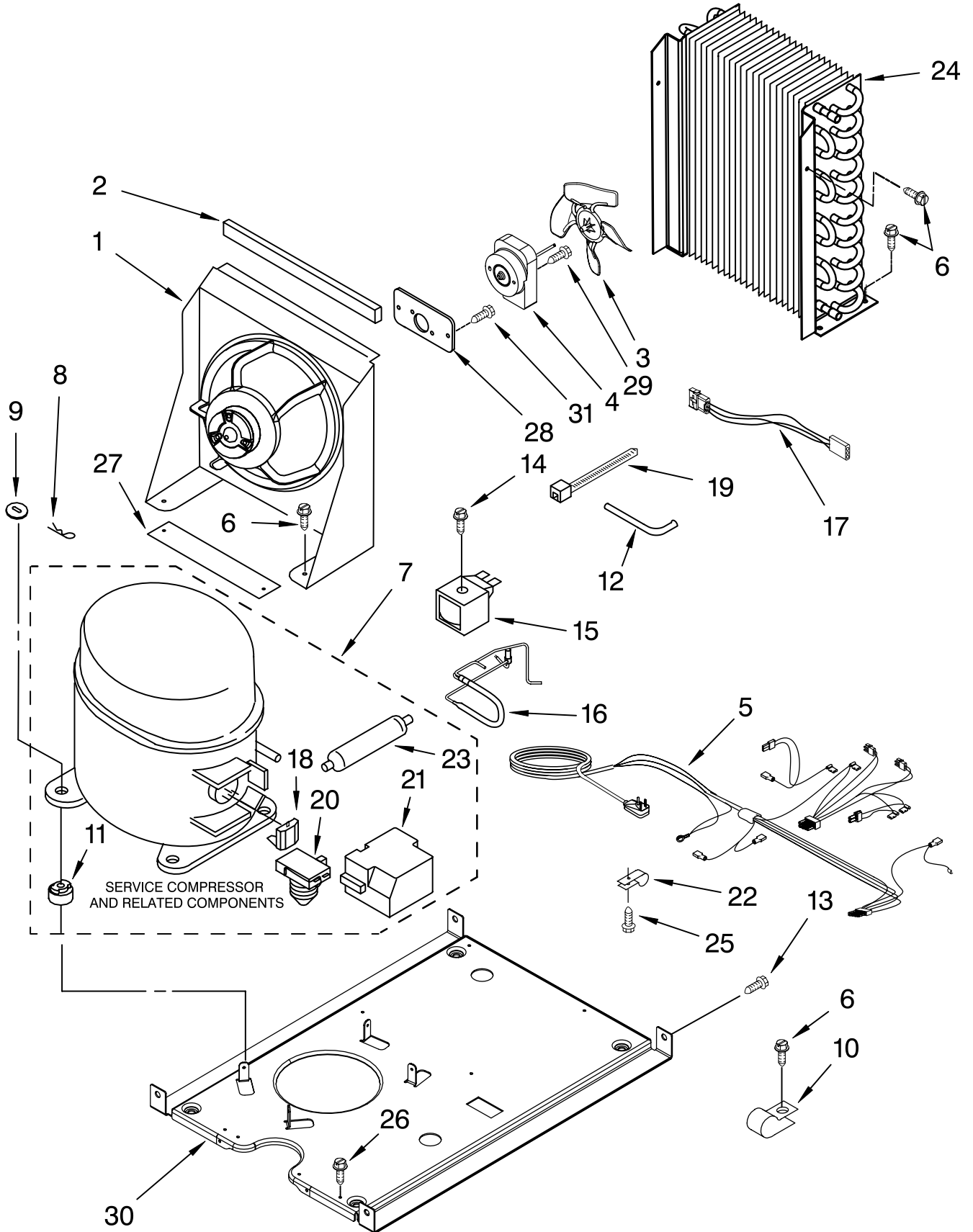
| Illus. No. | Part No. | DESCRIPTION                   |
|------------|----------|-------------------------------|
| 6          | 2149705  | Switch, Plunger               |
| 7          | 2185694  | Lens, LED                     |
| 8          | 2185692  | Wiring Harness<br>Grid/ Light |
| 9          | 745362   | Bulb                          |

| Illus. No. | Part No. | DESCRIPTION                     |
|------------|----------|---------------------------------|
| 12         | 2313633  | Thermostat, Bin                 |
| 13         | 2185825  | Clamp                           |
| 14         | 2187836  | Wiring Harness,<br>Main to Pump |
| 15         | 3400884  | Screw 8-18 x 5/8                |
| 18         | 3400850  | Screw 8-16 x 3/8                |
| 20         | 2313635  | Thermister,<br>Ice Control      |

FOR ORDERING INFORMATION REFER TO PARTS PRICE LIST

# UNIT PARTS

For Models: KUIS18NNJW8, KUIS18NNJT8, KUIS18NNJB8, KUIS18NNJS8  
(White) (Biscuit) (Black) (Stainless Steel)



FOR ORDERING INFORMATION REFER TO PARTS PRICE LIST

# UNIT PARTS

For Models: KUIS18NNJW8, KUIS18NNJT8, KUIS18NNJB8, KUIS18NNJS8  
 (White) (Biscuit) (Black) (Stainless Steel)

| Illus. No. | Part No. | DESCRIPTION   | Illus. No. | Part No. | DESCRIPTION                   | Illus. No. | Part No. | DESCRIPTION   |
|------------|----------|---|------------|----------|-------------------------------|------------|----------|---------------|
| 1          | 2185532  | Bracket, Fan Mtg.                                   | 12         | 2208415  | Tube, Process                 | 22         | 2185788  | Clamp         |
| 2          | 2185675  | Pad, Foam   | 13         | 489423   | Screw                         | 23         |          | Drier         |
| 3          | 2188935  | Blade, Fan  | 14         | 489472   | Screw                         |            | 2319826  | Production    |
| 4          | 2188891  | Motor, Fan  | 15         | 759112   | Coil, Solenoid                |            | 4387019  | Service       |
| 5          | 2313636  | Wiring Harness, Complete Unit (Includes Power Cord) | 16         | 759113   | Valve, Body                   | 24         | 2313624  | Condenser     |
|            |          |   | 17         | 2187629  | Wiring Harness, Condenser Fan | 25         | 3400884  | Screw         |
|            |          |   | 18         |          | Overload                      | 26         | 488500   | Screw         |
| 6          | 304392   | Screw 8-18 x 1/2                                    |            | 2217223  | Production                    | 27         | 2217397  | Pad, Foam (2) |
| 7          | 2208370  | Compressor (Includes Illus. 11,18, 20,21 & 23)      |            | 4387938  | Service (Includes Relay)      | 28         | 2301979  | Plate, Mtg.   |
| 8          | A201435  | Clip, Mounting                                      | 19         | 2155774  | Strap                         | 29         | 8281197  | Screw         |
| 9          | A201441  | Shim (4)  | 20         |          | Relay, Start                  | 30         | 2217423  | Base, Unit    |
| 10         | 2185960  | Clamp (Power Cord)                                  |            | 2217224  | Production                    | 31         | 8281196  | Screw         |
| 11         |          | Grommet (4)   |            | 4387938  | Service (Includes Overload)   |            |          |               |
|            | 2217318  | Production  | 21         |          | Cover, Terminal               |            |          |               |
|            | 4387558  | Service   |            | 2208371  | Production                    |            |          |               |
|            |          |   |            | 4387731  | Service                       |            |          |               |

**REFRIGERANT CHARGE**

6.5 OZ. (R134A)



FOR ORDERING INFORMATION REFER TO PARTS PRICE LIST



# OPTIONAL PARTS

For Models: KUIS18NNJW8, KUIS18NNJT8, KUIS18NNJB8, KUIS18NNJS8  
(White) (Biscuit) (Black) (Stainless Steel)

| <b>Illus.<br/>No.</b>  | <b>Part<br/>No.</b> | <b>DESCRIPTION</b> |
|--|---------------------|--------------------|
| <hr/> <b>Parts Not Illustrated and<br/>Optional Parts (Not Included)</b> <hr/> |                     |                    |

- 8171307 Cleaner, Icemaker
- 503695 Sealer, Cork  
(1/4 Pound)
- 797403 Cement, Insulation  
(1 Oz.)
- 505587 Sealer, Mastic  
(1 Qt.)
- 212643 Sealer, Gum  
(22 Pcs. 3/16" x 7")
- 479976 Kit, Insulation  
(5 Pcs. 3" x 24"  
x 48")
- 978025 Valve, Access  
(1/4")
- 978026 Valve, Access  
(5/16")
- 978027 Valve, Access  
(3/8")
- 978028 Valve, Access  
(1/2")
- 978029 Valve, Access  
(5/8")
- 978030 Valve, Access  
(3/4")

FOR ORDERING INFORMATION REFER TO PARTS PRICE LIST