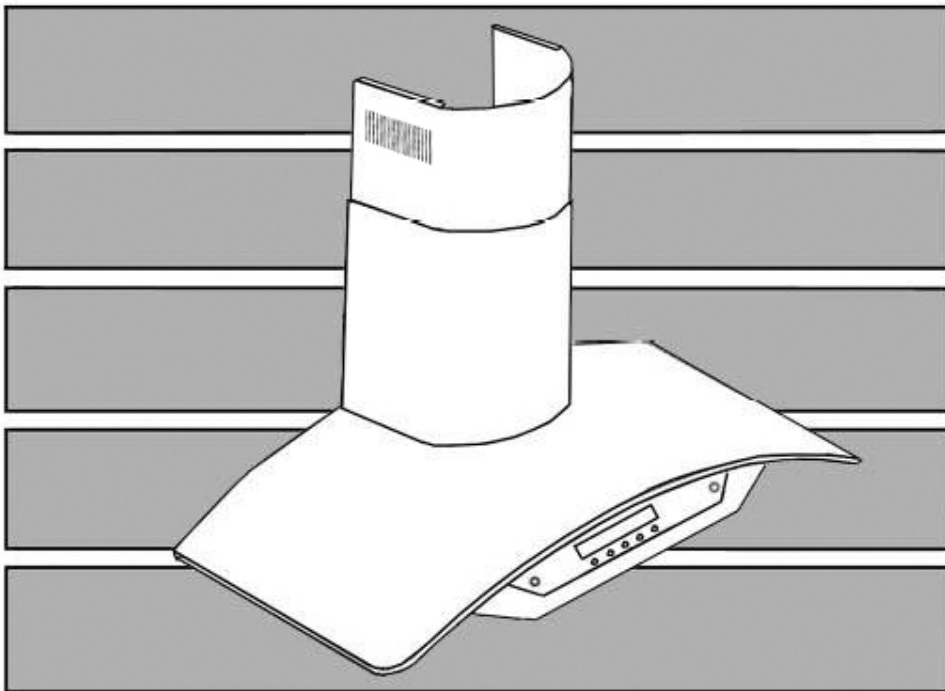


KOBE® **KOBE Brand Range Hood**

Model No. CX1830GS-8 (30")
CX1836GS-8 (36")
CX1842GS-8 (42")

CX-183 SERIES – 4" HEIGHT STAND ALONE
“GLASS CANOPY WITH LED SCREEN”



INSTALLATION INSTRUCTIONS
AND OPERATION MANUAL

- READ AND SAVE THESE INSTRUCTIONS -

CONTENTS

IMPORTANT SAFETY INSTRUCTIONS 1
COMPONENTS OF PACKAGE 3
INSTALLATION 4
 Preparations before Installation..... 4
 Hood Installation..... 5
 Wiring to Power Supply 7
 Recirculating Conversion 7
 Ductwork Installation 8
 Duct Cover Installation 8
 Final Assembly 8
OPERATING INSTRUCTION 9
MAINTENANCE 11
SPECIFICATIONS 13
MEASUREMENTS & DIAGRAMS 14
PART LIST 15
CIRCUIT DIAGRAM..... 17
TROUBLE SHOOTING..... 18
DISCLAIMER..... 19
WARRANTY 20
PRODUCT REGISTRATION 22

- READ ALL INSTRUCTIONS CAREFULLY BEFORE STARTING -

ALL WIRING MUST BE DONE BY A PROFESSIONAL AND IN ACCORDANCE WITH NATIONAL AND LOCAL ELECTRICAL CODES



IMPORTANT SAFETY INSTRUCTIONS

- PLEASE READ THIS SECTION CAREFULLY BEFORE INSTALLATION -

⚠WARNING: TO REDUCE THE RISK OF FIRE, ELECTRIC SHOCK OR PERSONAL INJURY, OBSERVE THE FOLLOWING:

- 1) Installation and electrical wiring must be done by qualified professionals and in accordance with all applicable codes and standards, including fire-rated construction.
- 2) When cutting or drilling into wall or ceiling, be careful not to damage electrical wiring or other hidden utilities.
- 3) Ducted fans must be vented to the outside.
 - a) Before servicing or cleaning unit, open the light panel and SWITCH POWER OFF AT SERVICE PANEL.
 - b) Clean all grease laden surfaces frequently. To reduce the risk of fire and to disperse air properly, make sure to vent air outside. DO NOT vent exhaust air into wall spaces, attics, crawl spaces or garages.

NOTE - This warranty is invalid without an authorized agent's receipt or if unit is damaged due to misuse, poor installation, improper use, mistreatment, negligence or any other circumstances beyond the control of KOBE RANGE HOODS authorized agents. Any repair carried out without the supervision of KOBE RANGE HOODS authorized agents will automatically void the warranty.

- KOBE RANGE HOODS will not be held responsible for any damages to personal property or real estate or any bodily injuries whether caused directly or indirectly by the range hood.

⚠WARNING: TO REDUCE THE RISK OF PERSONAL INJURY IN THE EVENT OF A RANGE TOP GREASE FIRE:

- Keep all fan, baffle/spacer/filter/oil tunnel/oil container and grease-laden surfaces clean. Grease should not be allowed to accumulate on fan, baffle/spacer/filter/oil tunnel/oil container.
- Always turn hood ON when cooking.
- Use high settings on cooking range ONLY when necessary.
- Do not leave cooking range unattended when cooking.
- Always use cookware and utensils appropriate for the type and amount of food prepared.
- Use this unit only in the manner intended by the manufacturer.
- Before servicing, switch power off at service panel and lock service panel (if possible) to prevent power from switching on accidentally.
- Clean ventilating fan frequently.

What to Do In The Event Of a Range Top Grease Fire

- SMOTHER FLAMES with a tight fitting lid, cookie sheet, or metal tray, and then turn off the burner. KEEP FLAMMABLE OR COMBUSTIBLE MATERIAL AWAY FROM FLAMES. If the flames do not go out immediately, EVACUATE THE AREA AND CALL THE FIRE DEPARTMENT or 911.
- NEVER PICK UP A BURNING PAN – You May Get Burned.
- DO NOT USE WATER, including wet dishcloths or towels – a violent steam blast will result.
- Use an extinguisher ONLY if:
 - a) You have a Class A, B, C extinguisher and know how to operate it.
 - b) The fire is small and contained in the area where it started.
 - c) The fire department has been called.
 - d) You can fight the fire with your back to an exit.


What to Do If You Smell Gas

- Extinguish any open flame.
- Do not try to turn on the lights or any type of appliance.
- Open all doors and windows to disperse the gas. If you still smell gas, call the Gas Company and Fire Department right away.

⚠ CAUTION

- 1) For general ventilation use only. Do not use to exhaust hazardous or explosive materials and vapors.
- 2) To reduce the risk of fire, use only metal ductwork. Sufficient air is needed for proper combustion and exhausting of gases through the flue (chimney) to prevent back drafting.
- 3) Follow the heating equipment manufacturer's guideline and safety standards such as those published by the National Fire Protection Association (NFPA), and the American Society for Heating, Refrigeration and Air Conditioning Engineers (ASHRAE), and code authorities.
- 4) Activating any switch on may cause ignition or an explosion.
- 5) Due to the size and weight of this hood, two people installation is recommended.

⚠ WARNING ELECTRICAL SHOCK HAZARD – Can result in serious injury or death. Disconnect appliance from electric power before servicing. If equipped, the fluorescent light bulb contains small amounts of mercury, which must be recycled or disposed of according to Local, State, and Federal Codes.



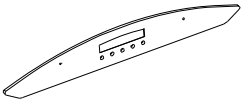
COMPONENTS OF PACKAGE

(Must keep all material for returns or refunds)

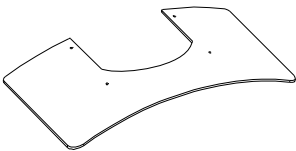
Range Hood Box (Box 1 of 2)

- {A} LED Screen And Control Panel
- {B} Glass Canopy

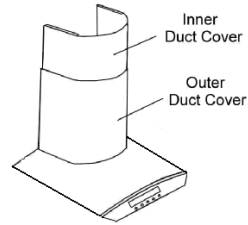
{A}



{B}



{C}



{D}



{E}



{F}



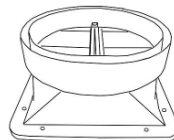
{G}



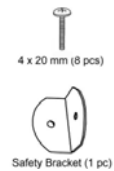
Box 2 of 2

- {C} KOBE Range Hood with Two-Piece Duct Cover
- {D} Duct Cover-Mounting Bracket
- {E} Hood-Mounting Bracket
- {F} Warranty Registration Card
- {G} Instructions Manual
- {H} Plastic Damper
- {I} Screws Package
- {J} Rubber Seal
- {K} Glass Canopy Screws Set
- {L} Oil Container

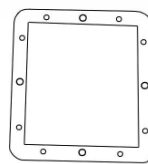
{H}



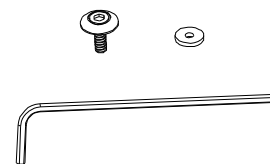
{I}



{J}



{K}



{L}



◆ FOR MORE INFORMATION, PLEASE VISIT OUR WEBSITE www.KOBERangeHoods.com OR CONTACT KOBE RANGE HOODS AT (877) 289-5623.

INSTALLATION

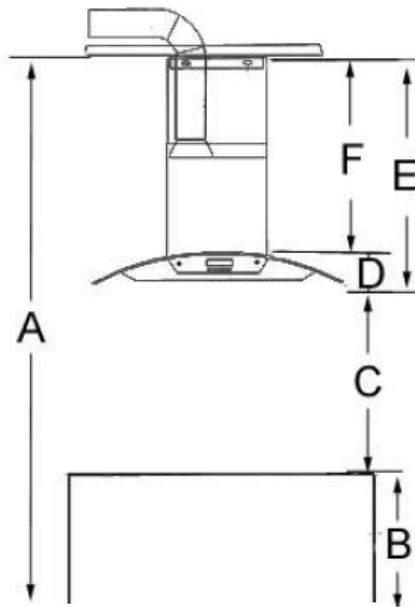
PLEASE READ ENTIRE INSTRUCTIONS BEFORE PROCEEDING

Calculation before Installation

To calculate installation, please refer to Table 1. (All calculation in inches.)

TABLE 1

A = Height of Floor to Ceiling
B = Height of Floor to Counter
Top (Standard: 36")
**C = Preferred Height of Counter Top to
Hood Bottom (Recommended 27"
to 30")**
D = Height of Hood
E = Height of the Hood
Installation [A – (B + C)]
F = Height of Duct Cover [E – D]



SAFETY WARNING

HOOD MAY HAVE VERY SHARP EDGES; PLEASE WEAR PROTECTIVE GLOVES IF REMOVING ANY PARTS FOR INSTALLING, CLEANING OR SERVICING.

NOTE: BE CAREFUL WHEN USING ELECTRICAL SCREWDRIVER, DAMAGE TO THE HOOD MAY OCCUR.

Preparations before Installation

NOTE: TO AVOID DAMAGE TO YOUR HOOD, PREVENT DEBRIS FROM ENTERING THE VENT OPENING.

- Decide the location of the venting pipe from the hood to the outside. Refer to Figure 1.
- A straight, short venting run will allow the hood to perform more efficiently.
- Try to avoid as many transitions, elbows, and long run as possible. This may reduce the performance of the hood.
- Use duct tape to seal the joints between pipe sections.

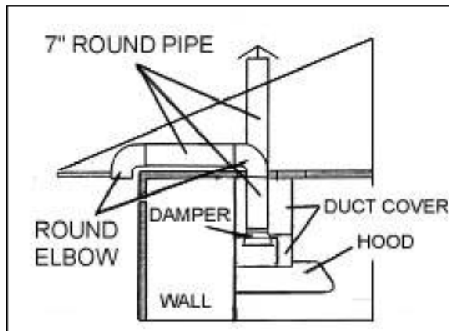


Figure 1

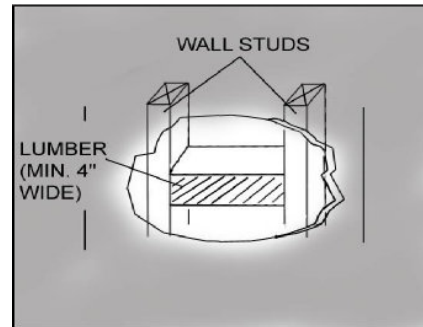


Figure 2

- If necessary, prepare back wall frame with cross framing lumber for secure installation. Using references in Table 1 and measurements on page 14, decide the level of the lumber. Refer to Figure 2.
- Important: peel protective film off the duct cover and the hood (if any).

Hood Installation

CAUTION: If required to move the cooking range to install the hood, turn off the power in an electric range at the main electrical box. **SHUT OFF THE GAS BEFORE MOVING A GAS RANGE.**

1. Peel protective film off duct cover and hood, if any. Pull out duct cover (inner and outer) from range hood. Shown in Figure 3



Figure 3

2. Align glass canopy to hood body. Shown in Figure 4. Attach the glass canopy to body with four hexagon screws and four spacers (provided). Tighten with hexagon wrench (provided). Shown in Figure 5



Figure 4

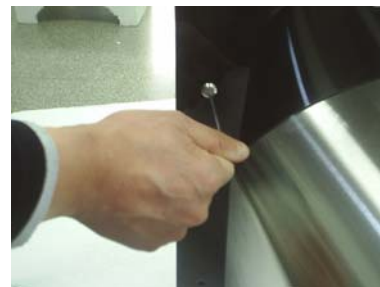


Figure 5

3. Attach the LED screen and control panel with two hexagon screws and two spacers (provided). Tighten with hexagon wrench (provided). Shown in Figure 6



Figure 6

4. Place rubber seal on hood venting area; make sure the openings on rubber seal are aligned with openings in vent area. Shown in Figure 7. Align plastic damper on rubber seal and attach to hood using eight 4x20 mm screws (provided). Refer to Figure 8



Figure 7



Figure 8

5. If necessary, remove the two rubber stands at the back of the hood. For a more secure installation, KOBE recommends not removing the rubber stands.

6. Using references in Table 1 and Measurement & Diagrams on page 14, mark the leveling line for hood-mounting bracket. Secure hood-mounting bracket to wall with screws (not provided). Refer to Figure 9.



Figure 9

7. Align hood to the hood-mounting bracket on the wall and hook hood into place as shown in Figure 10 & 11. CAUTION: MAKE SURE THE HOOD IS SECURE BEFORE RELEASING.



Figure 10



Figure 11

8. For safety purposes, install the safety bracket (provided) with one screw (not provided) to the wall as shown in Figure 12.

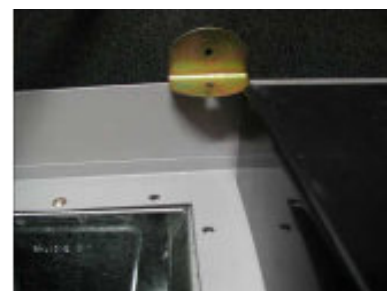


Figure 12

Wiring to Power Supply

⚠ SAFETY WARNING

RISK OF ELECTRICAL SHOCK. THIS RANGE HOOD MUST BE PROPERLY GROUNDED. MAKE SURE THIS IS DONE BY SPECIALIZED ELECTRICIAN IN ACCORDANCE WITH ALL APPLICABLE NATIONAL AND LOCAL ELECTRICAL CODES. BEFORE CONNECTING WIRES, SWITCH POWER OFF AT SERVICE PANEL AND LOCK SERVICE PANEL TO PREVENT POWER FROM BEING SWITCHED ON ACCIDENTALLY.

9. Connect three wires (black, white and green) to house wires.
10. Connect according to color: black to black, white to white, and green to green and cap with wire connectors.
11. Test the operation of the hood before moving on to the next step. Make sure power is supplied to the hood.
12. If venting outside, skip to Step 19, Ductwork Installation.

Recirculating Conversion

Requires Purchase of Recirculating Kit Model No. RD-0183.

13. For the recirculating installation, replace the duct cover-mounting bracket with the T-Box. Using references in Table 1 and Measurement & Diagrams on page 14 to mark the leveling line for the T-Box. Secure the T-Box with 3 screws (not provided) to the wall. Use duct tape to seal joints from plastic damper to T-Box. (Recirculating Duct Cover will hook onto T-Box.) Refer to Figure 13.



Figure 13

14. Measure the distance from the top of the plastic damper to the ceiling and prepare a 7" round metal duct pipe with 4" shorter than measured distance.
15. Use the prepared 7" round metal duct pipe to connect the T-Box to the plastic damper. Use duct tape to make all joints secure and air tight. Make sure pipe is in the groove of the plastic damper. Refer to Figure 14
16. Remove stainless steel filters and install the carbon filters. (Refer to Figure 20)
17. Re-attach the stainless steel filters.
18. Skip to Step 21, Duct Cover Installation

Ductwork Installation

19. Use 7" round aluminum or steel pipe to connect the plastic damper on the hood to the ductwork above.
20. Use duct tape to make all joints secure and air tight. Make sure pipe is in the groove of the plastic damper. Refer to Figure 14.

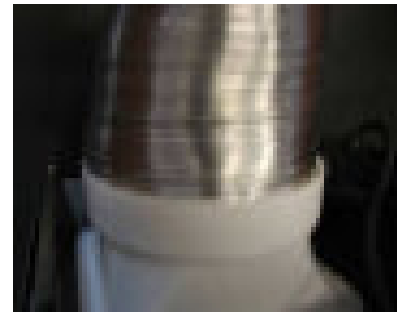


Figure 14

Duct Cover Installation

21. (SKIP STEP 22 and 23 IF USING THE RECIRCULATING CONVERSION KIT. YOU WILL NOT NEED THE DUCT COVER-MOUNTING BRACKET.) Using references in Table 1 and measurements on page 14, mark the leveling point for duct cover-mounting bracket.
22. Secure the duct cover-mounting bracket to the wall with two screws (not provided). Refer to Figure 15. Make sure all screws are tightened.
23. Hook the inner duct cover onto the duct cover-mounting bracket and release the outer duct cover to fit onto the hood as shown in Figure 15 and 16.



Figure 15



Figure 16

Final Assembly

24. Rotate the oil container clockwise to install it. Shown in Figure 17.
25. Turn power ON in control panel. Check all lights and fan operation.
26. Make sure to leave this manual for the homeowner.



Figure 17

OPERATING INSTRUCTION

This KOBE hood is equipped with five electronic controls with LED screen, one powerful centrifugal squirrel cage with stainless steel filter, two bright 12-volt 20-watt halogen lights, and one oil container.

The five control buttons are Power Control (On/Off), Auto Control, Speed Control (Low & High Speed), Light Control and Timer Control. Refer to Figure 18.

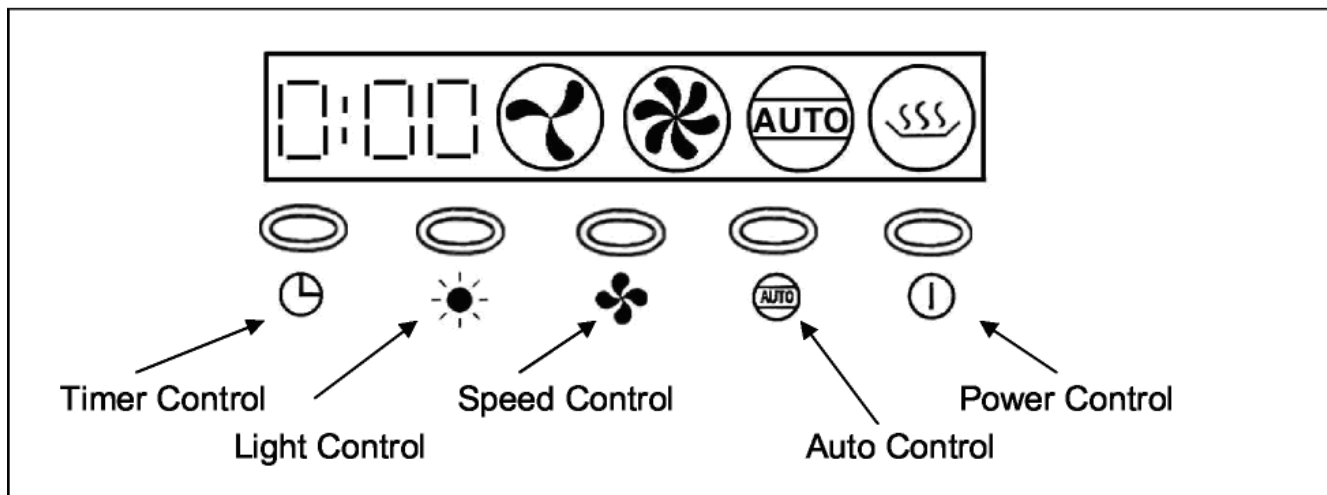
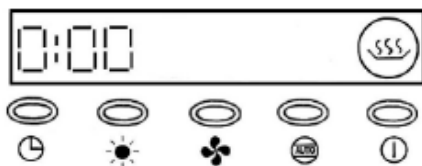


Figure 18

Power Control

Press Power Control to turn On/Off the hood.

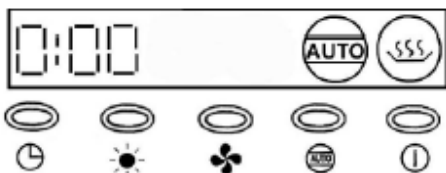
Output Display:



Auto Control

Press Auto Control to set the hood on auto sensor. When smoke, gas, or fluctuating temperature* is detected, hood automatically turns on at prior speed setting. (*Temperature: Higher than normal room temperature.)

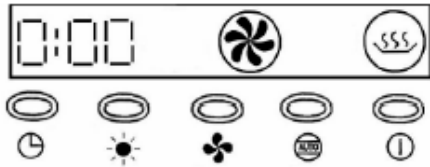
Output Display:



Speed Control

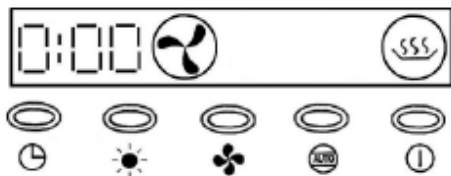
Press once for High speed to start.

Output Display:



Press twice for Low speed to start.

Output Display:



Light Control

Press Light Control to turn on the two halogen lights.

Timer Control

Press Timer Control to start timer. When Timer Control is pressed, fan will automatically shut off after set time. Timer range from 1 min. to 99 mins.

To clear the timer, press Power Control OFF; and then press Power Control ON again.

MAINTENANCE

⚠ SAFETY WARNING

NEVER PUT YOUR HAND INTO AREA HOUSING THE FAN WHILE THE FAN IS OPERATING.

Cleaning Hood Surface

⚠ CAUTION: NEVER USE ABRASIVE CLEANERS, PADS, OR CLOTHS. DO NOT USE PAPER TOWEL ON STAINLESS STEEL.

For optimal operation, clean range hood and all baffle/spacer/filter/oil tunnel/oil container regularly.

*** Regular care will help preserve the appearance of the hood.

1. Use only mild soap or detergent solutions. Dry surfaces using soft cloth.
2. If hood looks splotchy (stainless steel hood), use a stainless steel cleaner to clean the surface of the hood. Avoid getting cleaning solution onto or into the control panel. Follow directions of the stainless steel cleaner. **Caution: Do not leave on too long as this may cause damage to hood finish.** Use soft towel to wipe off the cleaning solution, gently rub off any stubborn spots. Use dry soft towel to dry the hood.
3. DO NOT allow deposits to accumulate or remain on the hood.
4. DO NOT use ordinary steel wool or steel brushes. Small bits of steel may adhere to the surface and cause rusting.
5. DO NOT allow salt solutions, disinfectants, bleaches, or cleaning compounds to remain in contact with stainless steel for extended periods. Many of these compounds contain chemicals, which may be harmful. Rinse with water after exposure and wipe dry with a clean lint free cloth.

To Clean Stainless Steel Filter / Oil Container

CAUTION: DRAIN OIL CONTAINER BEFORE OIL CAN OVERFLOW.

- 1) The oil container attached underneath stainless steel filter can be removed by turning counter-clockwise.
- 2) To clean the stainless steel filter, remove the screws (leave in a safe place), and slide stainless steel filter out.
- 3) Both oil container and stainless steel filter should be washed with warm soapy water and dry thoroughly before returning in place. Both are top rack dishwasher safe.

To Clean Carbon Filter (Optional Recirculating Kit)

- 1) Turn oil container counter-clockwise. Shown in Figure 18.
- 2) Use a Philips screwdriver to take out the screws (2 pcs). Shown in Figure 19.

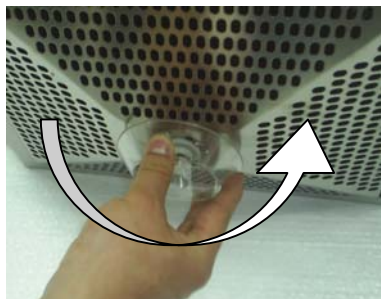


Figure 18



Figure 19

- 3) Remove the carbon filter from the two stainless steel filters. Shown in Figure 20.
- 4) Place carbon filter into warm water with neutral detergent and clean thoroughly. Dry and replace.
- 5) Re-install the carbon filter and the stainless steel filters.

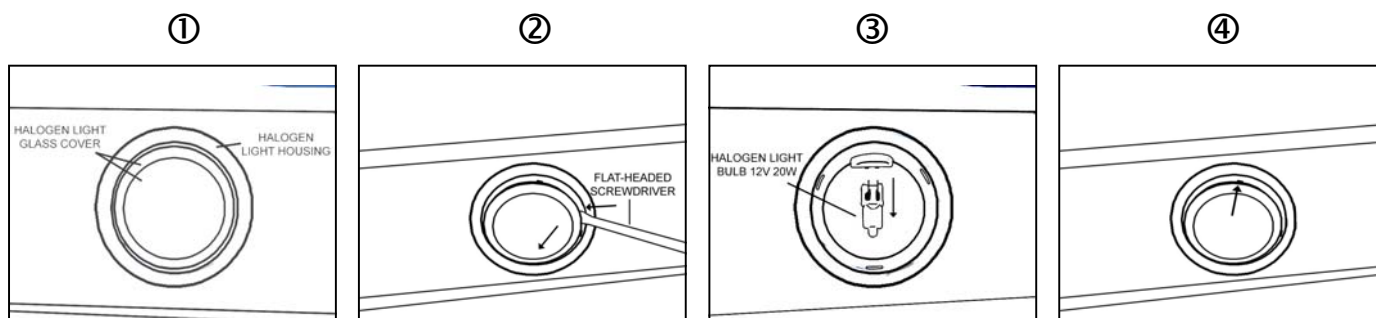


Figure 20

To Replace Light Bulb

CAUTION: HALOGEN LIGHT UNIT MAY BE HOT! WAIT UNTIL UNIT IS COOL.

NOTE: DO NOT TOUCH HALOGEN LIGHT WITH BARE HANDS, WHICH MIGHT CAUSE OVER HEAT AND SHORTEN THE LIFE OF LIGHT BULBS.



1. Make sure all controls are OFF, and range hood is unplugged.
2. Place the flat-head screwdriver into the groove between the halogen light glass covering and the housing ①.
3. Gently separate glass covering from the housing ②.
4. Gently pull out the defective light bulb ③ and discard. Light bulbs should be 12V 20W maximum.
5. Wear a glove or use a cloth to hold the new light bulb and push securely into light socket. NOTE: DO NOT PUSH TOO HARD OR YOU MAY BREAK THE BULB CONNECTOR.
6. Put back halogen light glass cover ④.
7. Plug back power cord and turn on range hood to test for operation.

SPECIFICATIONS

MODEL / SIZE	CX1830GS-8 / 30" CX1836GS-8 / 36" CX1842GS-8 / 42"		
COLOR	Commercial Grade Stainless Steel		
CONSUMPTION	189.4W / 1.57A (Wattage / Ampere)		
VOLTAGE	120V 60Hz		
NUMBER OF MOTOR	1		
DESIGN	18-Gauge		
FAN TYPE: Centrifugal	Double Horizontal Squirrel Cage		
EXHAUST	7" Round w/Damper		
CONTROLS	Electronic Touch Button (5 buttons) - Power Control, Auto Control, Speed Control (Low & High Speed), Light Control, & Timer Control		
HALOGEN LIGHTS	12V 20W x 2		
HOOD DIMENSION (W x D x H)	(Model No.: CX1830GS-8) 29-1/2" x 19-3/4" x 3" (Model No.: CX1836GS-8) 35-1/2" x 19-3/4" x 4-1/2" (Model No.: CX1842GS-8) 41-7/8" x 19-3/4" x 6-1/2"		
DUCT COVER / BLOWER DIMENSION (W x D x H)	(Model No.: CX183-8S) 14-7/8" x 13" x (15-3/4" ~ 37")		
OPTIONAL ACCESSORIES (W x D x H)	1) 21" Inner Duct Cover Extension (Model No.: CX183-21DC) 14-1/8" x 13" x 15-3/4" x 37" 2) 30" Stainless Steel Back Panel (Model No.: SSP30) 30" x 1/10" x 32" 3) 36" Stainless Steel Back Panel (Model No.: SSP36) 36" x 1/10" x 32" 4) Recirculating Kit (Model No.: RD-0183)		
Weight (lbs)		<u>NET</u>	<u>GROSS</u>
	CX1830GS-8	9	14
	CX1836GS-8	14	18
	CX1842GS-8	16	22
	CX183-8S	35	46
SPEED		LOW	HIGH
AIR CAPACITY (CFM)		400	600
SONE*		1.3	2.8

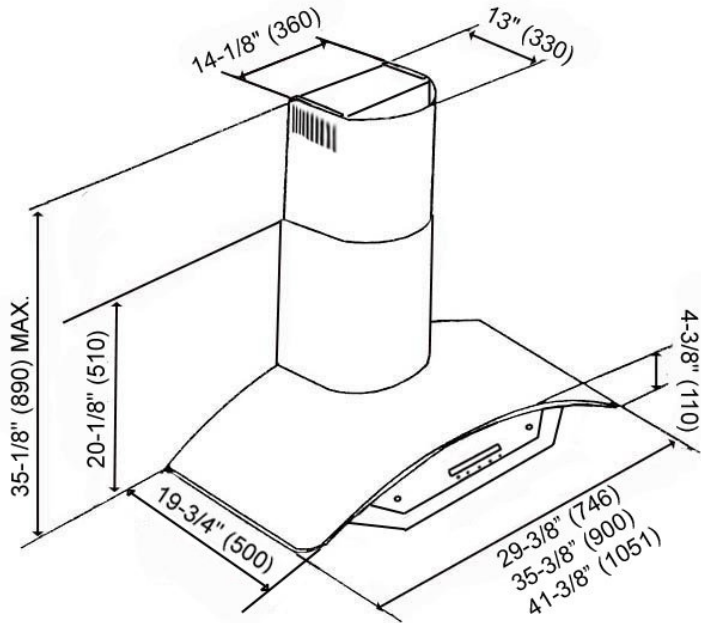
* One sone is equivalent to the sound of a refrigerator at 40 decibels.

** Specifications subject to change without notice.

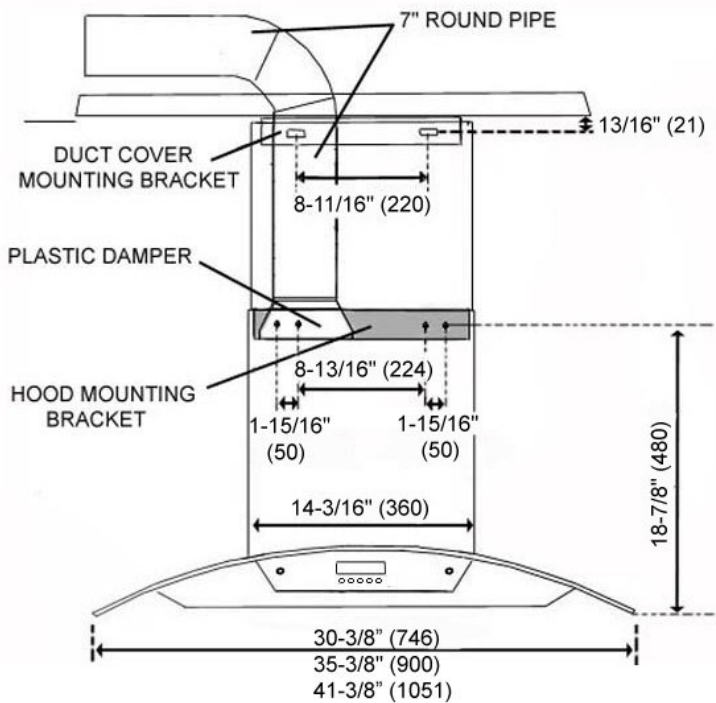
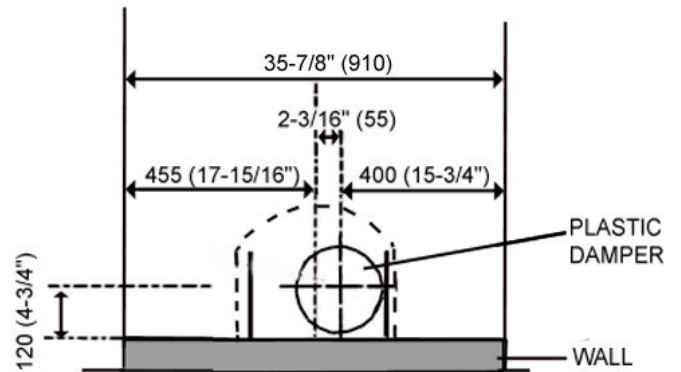
MEASUREMENTS & DIAGRAMS

***Inch figures converted from millimeters measurements. Inch measurements estimated.

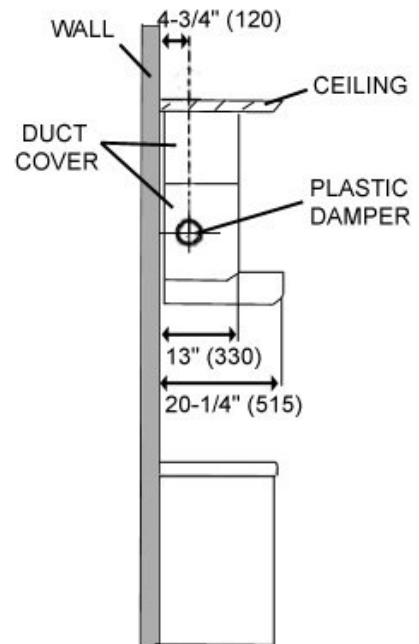
***Millimeter measurements in ().



*** VIEWING DOWN FROM THE TOP



*** VIEWING FROM THE SIDE



PART LIST

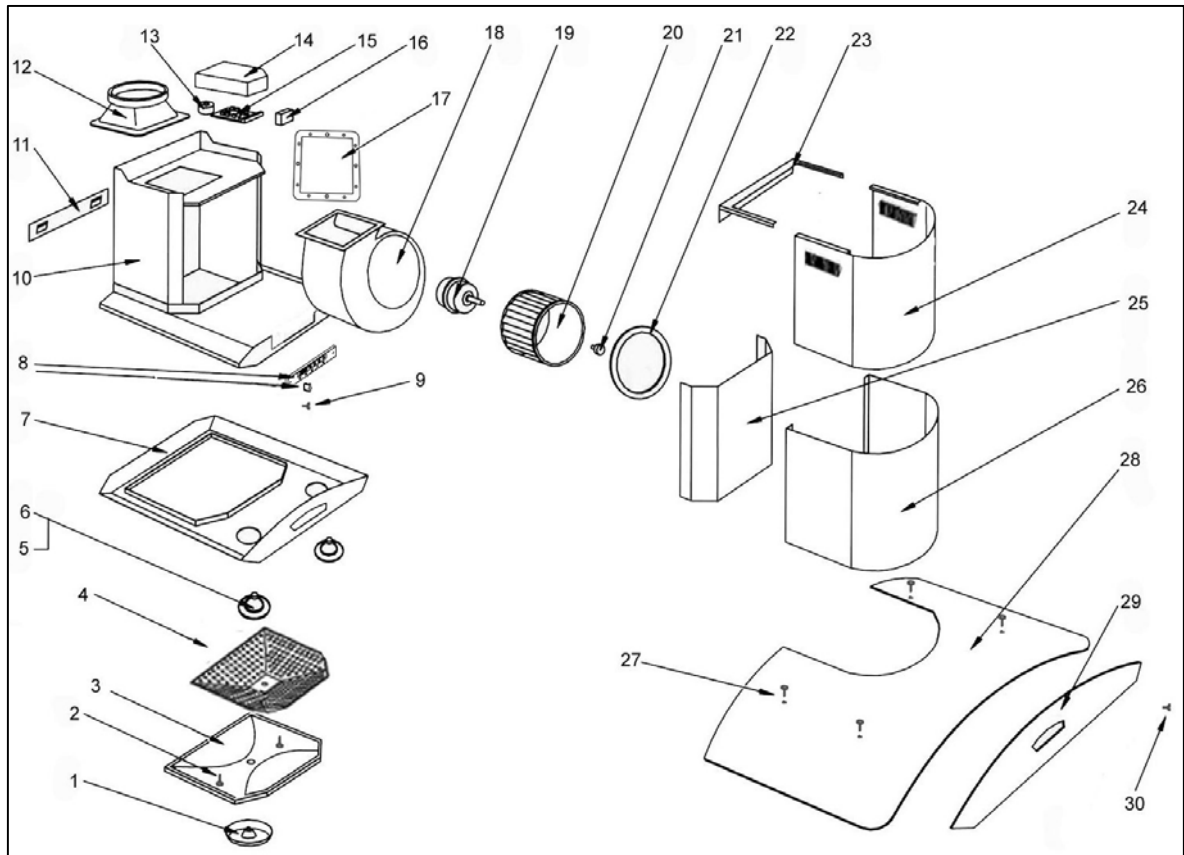
**MODEL NO.: CX1830GS-8
CX1836GS-8
CX1842GS-8**

NO.	DESCRIPTION	MODEL /SIZE	PART NO.
1	Oil Container (Round)		1-HAN-M001
2	Stainless Steel Filter Screw		FT-S-1
3	Stainless Steel Filter		1-FBL-A009
4	Stainless Steel Mesh Filter		1-HGF-A100
5	Halogen Light Support		1-FAV-J703
6	Halogen Light (12V 20W Max.)		1-FAV-ZJ01
7	Bottom Casing		1-FAZ-A001
8	Control Board , Control Button		1-HDC-G100, 1-FAZ-J100
9	Control Box Screw		FT-S-2
10	Hood Casing		1-FAZ-A100
11	Hood-Mounting Bracket		1-FAZ-M002
12	Plastic Damper		1-FAV-M011
13	Transformer		1-HAN-J101
14	Electrical Wire Box		1-FAV-G001
15	Processor Board		1-FAX-G100
16	Capacitor		1-HAN-G001
17	Rubber Seal		1-FAV-M005
18	Air Chamber		1-FAV-F160
19	Motor		1-HAN-F110
20	Blower		1-FAV-F170
21	Locknut		1-FAA-F205
22	Blower Cover		1-FAV-F120
23	Duct Cover-Mounting Bracket		1-FAV-M020
24	Inner Duct Cover		1-HJS-M001
25	Air Chamber Cover		1-FAV-A006
26	Outer Duct Cover		1-HJS-A100
27	Glass Canopy Screw		FT-S-4
28	Glass Canopy	30"	CX183-30G
		36"	CX183-36G
		42"	CX183-42G
29	LED Screen		1-FAZ-A002
30	Control Panel Screw		FT-S-3

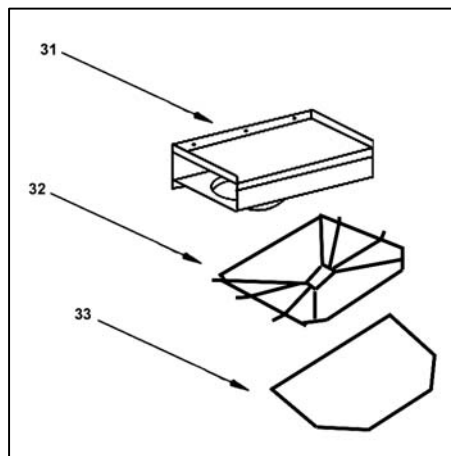
RECIRCULATING KIT (Optional) Model No.: RD-0183

NO.	DESCRIPTION	MODEL/SIZE	PART NO.
31	T-Box		1-HGF-M100
32	Carbon Filter Frame		1-HGF-A100
33	Carbon Filter		1-HJT-F101

**MODEL NO.: CX1830GS-8
CX1836GS-8
CX1842GS-8**

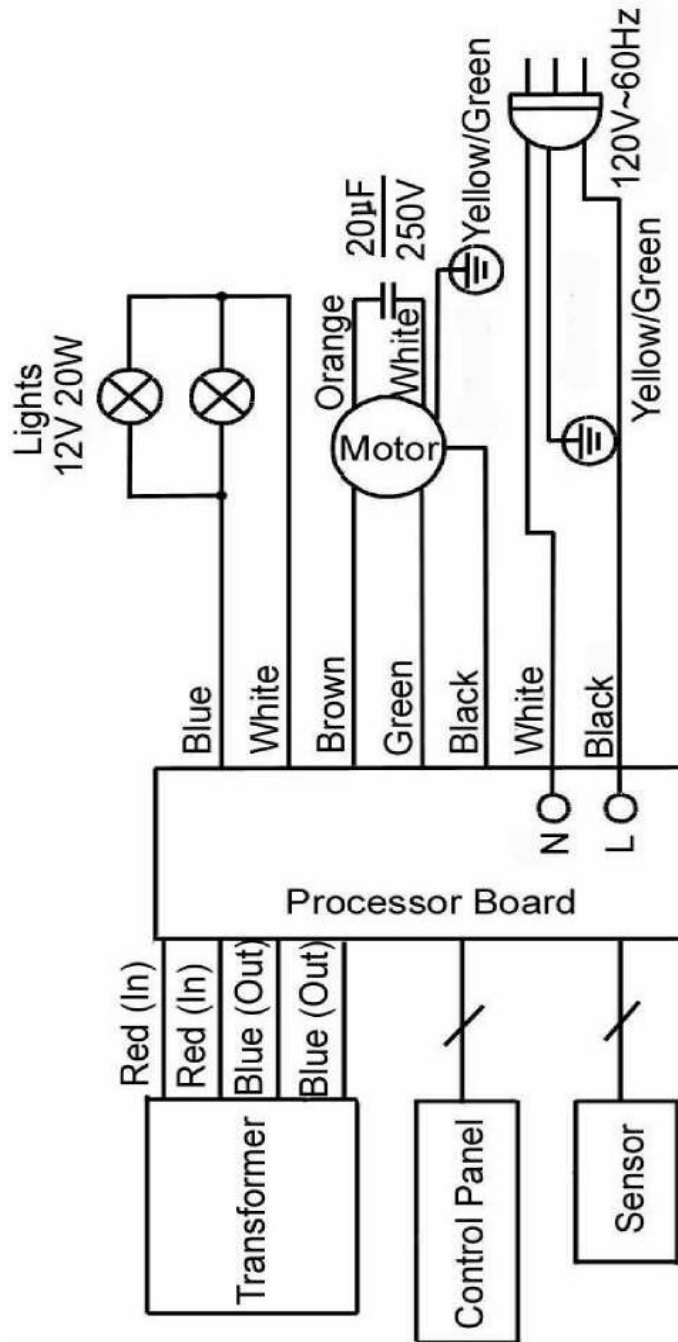


**RECIRCULATING KIT (OPTIONAL)
Model No.: RD-0183**



CIRCUIT DIAGRAM

MODEL NO.: CX1830GS-8
CX1836GS-8
CX1842GS-8



TROUBLE SHOOTING

Issue	Possible Cause	Solution
After Installation, both motors and lights are not working.	The power is not on.	Make sure the circuit breaker and the unit's power is ON. Use a voltage meter to check the power supply.
	The wire connection is not secure.	Check and tighten wire connection.
	The control panel and processor board wiring are disconnected.	Check wire continuity from control panel to processor board.
	The motor transformer is defective.	Check the power input and power output on the motor transformer. If it's needed, replace the motor transformer.
	The control panel and processor board is defective.	Replace the control panel or processor board.
Lights are working, but motor(s) is not.	The motor(s) is defective.	Replace the motor.
	The capacitor(s) is defective.	Replace capacitor(s).
	The control panel or processor board is defective.	Replace the control panel or processing board.
The range hood is vibrating.	The blower system is not secure.	Tighten the turbine impeller/squirrel cage and air chamber.
	The turbine impeller/squirrel cage is not balanced.	Replace the turbine impeller/squirrel cage.
	Hood is not secured in place.	Check the installation of hood, tighten the mounting bracket.
The motor is working, but the lights are not working.	Halogen Light bulb(s) is defective.	Try placing the trouble light bulb(s) to a working socket, if the bulb(s) still doesn't work; replace the halogen light bulb(s).
	The light wiring(s) is loose.	Check wire continuity from processor board to light transformer to halogen light housing(s).
	Light transformer is defective.	Check power input and power output on the light transformer. If it's needed, replace the light transformer.
	The control panel or processor board is defective.	Replace the control panel or processing board.
The range hood is not venting out correctly.	The range hood is installed outside of the manufacture recommended clearance.	Adjust the clearance between the range hoods and cook top to 27" to 30". For Island range hood, the clearance between the range hoods and cook top is 30" to 36".
	There is no make-up air inside the house.	Open the window to enhance the performance of the range hood by creating a sufficient make-up air.
	Obstacle blocking the pipe work.	Remove all obstacles from the duct work.
	The pipe size is smaller than the suggested pipe size.	Change the ducting according to the manufacture suggestion.
Cold air is coming into the home.	The pipe connection is not properly sealed.	Check the pipe installation.
	The damper is not properly installed or is missing from the installation.	Check the damper installation.
	The damper is not installed.	By installing the damper, it will help to eliminate air backflow.

DISCLAIMER

1. **CAREFULLY INSPECT ALL ITEMS FOR DAMAGES BEFORE ACCEPTING DELIVERY. NOTE ANY DAMAGES ON THE FREIGHT BILL OR EXPRESS RECEIPT. REQUEST NAME AND SIGNATURE OF THE CARRIER'S AGENT AND KEEP COPY TO SUPPORT YOUR CLAIM.**

Upon acceptance of items, owner assumes responsibility for its safe arrival. Report damages to the carrier and file a claim immediately. Failure to do so may result in the denial of your claim. The carrier will furnish you with necessary forms for filing a claim.

DAMAGES CAUSED DURING TRANSIT ARE NOT COVERED UNDER OUR WARRANTY.

2. **PLEASE INSPECT CONTENTS OF PACKAGE(S) CAREFULLY UPON RECEIVING!**

We must be notified in writing of any damages and/or missing parts within the allocated days upon your receipt of package(s). Contact your local KOBE dealer or distributor or call KOBE for the time limit.

CLAIMS WILL NOT BE ACCEPTED AFTER THE ALLOCATED DAYS.

NOTE: ITEMS WERE THOROUGHLY TESTED AND CAREFULLY PACKED IN OUR FACTORY BEFORE SHIPPING.

3. Products must be returned in good working condition with ALL original parts and documentation packed in ALL original cartons, fillers and shipping cartons. A restocking fee of 25% will be charged for all approved return(s).

EXCHANGES OR RETURNS MAY NOT BE ACCEPTED IF ANY PACKAGING IS MISSING.

4. **MAKE SURE TO INSPECT THE HOOD FOR DAMAGES AND DEFECTS BEFORE INSTALLATION.**

Appearance flaws of the hood found after installation and not affecting hood performance is not covered under our warranty for returns or exchanges. Service visits not covered under warranty will carry a service charge.

A) Before Installation: Return for exchange or refund (please see above for acceptable returns).

B) After Installation: **NO** exchange or refund.

WARRANTY

WARRANTY CERTIFICATE

KOBE Range Hoods, Inc. warrants all products manufactured or supplied by it to be free from defects in workmanship and materials. Its obligations pursuant to this warranty are limited to a period of two years from the date of purchase and to the repair or replacement at its option and subject to the terms and conditions stated below, of any component part, which its examination shall disclose to be so defective.

TWO-YEAR WARRANTY SERVICE PERIOD

Any covered failure occurring within two years of original purchase arising from defective workmanship or material in manufacture will be repaired (or at our discretion, replaced) free of charge by an authorized KOBE Range Hoods Agent or KOBE Range Hoods as applicable. Keep proof of purchase (or original invoice) handy for inspection.

If the range hood is sold by the original purchaser during the warranty period the new owner is protected until expiration of the original purchaser's warranty.

CONDITIONS

The following conditions apply only in relation to the warranty expressly given in this certificate.

- 1) This warranty applies only:
 - a) within U.S.A. and Canada.
 - b) to range hoods used for PRIVATE SINGLE FAMILY USE (if used for COMMERCIAL or MULTIPLE FAMILY USE or other purposes, warranty will be voided).
- 2) Repair of any fault to be provided under this warranty shall not be provided:
 - a) if the identification number attached to the range hood has been altered, rendered illegible or removed;
 - b) if notice of the defect has not been given within the period applicable;
 - c) for failure of light bulbs or heat lamps;
 - d) for physical damage;
 - e) for surfaces damaged by use of improper chemical cleaning agents;
 - f) if the appliance has been:
 - i) subject to misuse, abuse, negligence, accident, incorrect installation or failure to follow the operating instructions;
 - ii) connected to improper, inadequate or faulty electricity service or exhaust ducts, flues or duct cover, or operated using incorrect or contaminated lubricants;
 - iii) installed, maintained or operated otherwise than in accordance with the instructions furnished by KOBE Range Hoods including the improper use of detergents, bleaches, or cleaners.
 - g) for damage to range hood during transit, delivery, installation or removal;
 - h) for damage by or resulting from attempted repairs conducted by anyone other than our Authorized Service Agent.
 - i) noise or vibration caused by improper installation of range hood and/or damper.

- 3) The purchaser shall be responsible for any expenses involved in making the range hood readily accessible for servicing and where the range hood is installed outside the main sales territory of the retailer or service territory of the nearest approved KOBE Range Hoods Agent as applicable, for any traveling expenses and any costs of transporting the range hood or parts thereof to and from the dealer or Service Agent
- 4) The purchaser must produce proof of purchase together with this warranty certificate when making the claim.
- 5) Damages caused during shipment are not covered under our warranty.

CONSEQUENTIAL DAMAGE

The warrantor is not responsible for any consequential damage. SOME STATES DO NOT ALLOW THE EXCLUSION OF CONSEQUENTIAL DAMAGE SO THE ABOVE EXCLUSION MAY NOT APPLY TO YOU.

IMPLIED WARRANTIES/STATE LAW

Any implied warranties, including the implied warranty of merchantability and fitness for purpose, imposed on the sale by the laws of the state of sale are limited to two year from the date of original purchase. Some states do not allow limitations on the duration of implied warranties. This warranty gives you specific legal rights, and may also have rights, which vary from state to state.

SERVICE

For service contact:

KOBE Range Hoods
11775 Clark Street
Arcadia, CA 91005
U.S.A.

Tel: (877) 289-5623

Email: customer.service@KOBERangeHoods.com

Website: www.KOBERangeHoods.com

PRODUCT REGISTRATION

Register Your Product!

Any covered failure occurring within two years of original purchase arising from defective workmanship or material in manufacture will be repaired or at our option the unit will be replaced free of charge by an authorized KOBE Range Hoods Agent or KOBE Range Hoods as applicable. Keep proof of purchase (original invoice) handy for inspection.

If the range hood is sold by the original purchaser during the warranty period the new owner is protected until expiration of the original purchaser's warranty. See warranty section for complete warranty coverage information.

This appliance has been manufactured, tested, and inspected to the standards required by KOBE Range Hoods.

PLEASE MAIL IN YOUR WARRANTY REGISTRATION CARD AND PROOF OF PURCHASE TO:

KOBE Range Hoods
11775 Clark Street
Arcadia, CA 91006
U.S.A.

RECORD THE FOLLOWING INFORMATION FOR YOUR RECORD:

Model No. _____

Serial No. _____

Purchased Date ____ / ____ / ____

Purchased From:

IMPORTANT: PLEASE KEEP A COPY OF YOUR SALE RECEIPT OR INVOICE HANDY WHEN REQUESTING SERVICE.

KOBE[®]

KOBE Range Hoods
11775 Clark Street
Arcadia, CA 91006

<http://www.KOBERangeHoods.com>

This KOBE hood is made for use in the USA and CANADA only. We do not recommend using this hood overseas as the power supply may not be compatible and may violate the electrical code of that country. **Using a KOBE hood overseas is at your own risk and will void your warranty.**

Information subject to change without notice.

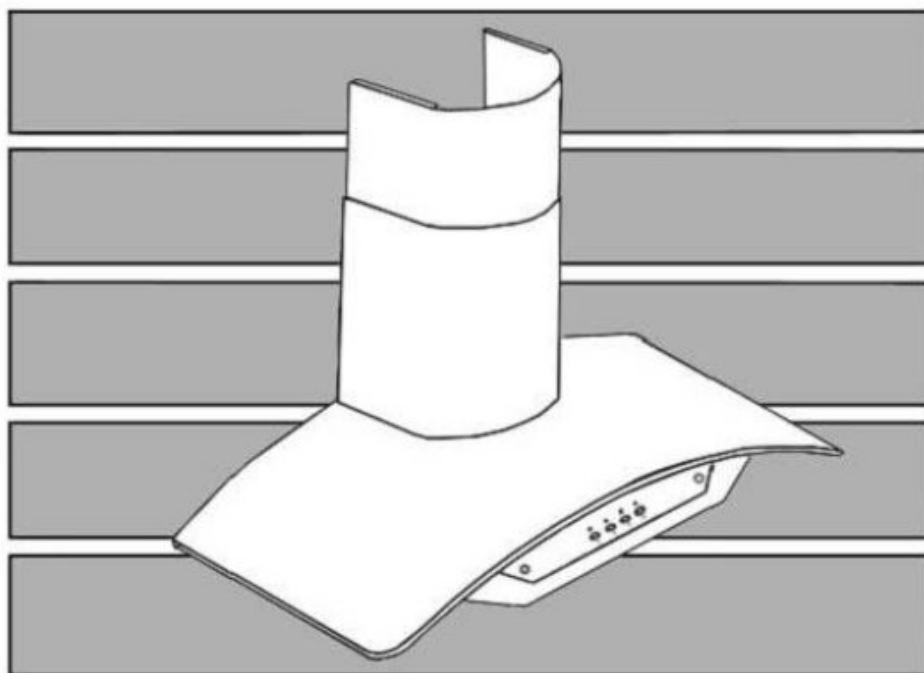
VER.091208

KOBE® HOTTE DE CUISINIÈRE KOBE

N° de modèle **CX1830GS-8 30"**
 CX1836GS-8 36"
 CX1842GS-8 42"

SÉRIE CX-183 - 4 po de hauteur

**HOTTE EN VERRE
AVEC ÉCRAN À
LAMPES DIODES ÉLECTROLUMINESCENTES
(ÉCRAN LED)**



**MANUEL D'INSTALLATION
ET
MODE D'EMPLOI**

LIRE ET CONSERVER CES INSTRUCTIONS

TABLE DES MATIÈRES

CONSIGNES DE SÉCURITÉ IMPORTANTES.....	26
CONTENU DE L'EMBALLAGE.....	28
INSTALLATION.....	29
Préparation avant l'installation.....	29
Branchement à la source d'alimentation électrique.....	32
Conversation pour recirculation.....	32
Installation du couvre-conduit.....	33
Installation du couvre-conduit.....	33
Assemblage final.....	33
MODE D'EMPLOI.....	34
ENTRETIEN PRÉVENTIF.....	36
SPÉCIFICATIONS.....	38
MESURES ET SCHÉMAS.....	39
LISTE DES PIÈCES.....	40
SCHÉMA DE CÂBLAGE.....	42
INSTRUCCIONES IMPORTANTES DE SEGURIDAD.....	43
CLÁUSULA DE EXENCIÓN.....	44
GARANTÍA.....	45
Enregistrement de votre produit.....	47

LIRE ATTENTIVEMENT TOUTES LES CONSIGNES AVANT DE COMMENCER

TOUT LE CÂBLAGE ÉLECTRIQUE DOIT ÊTRE EFFECTUÉ
PAR UN PROFESSIONNEL
EN CONFORMITÉ AVEC LES CODES D'ÉLECTRICITÉ
LOCAUX ET NATIONAUX



CONSIGNES DE SÉCURITÉ IMPORTANTES

SVP LIRE CETTE SECTION ATTENTIVEMENT AVANT L'INSTALLATION

AVERTISSEMENT –AFIN DE RÉDUIRE LES RISQUES D'INCENDIE, DE CHOC ÉLECTRIQUE ET DE BLESSURES, RESPECTER LES CONSIGNES SUIVANTES :

- 1) L'installation et le câblage électrique doivent être effectués par des techniciens qualifiés et en conformité avec tous les codes et toutes les normes qui s'appliquent même pour les constructions ignifugées.
- 2) Lorsque vous découpez ou percez un mur ou un plafond, prendre soin de ne pas endommager le filage électrique ou autres conduits cachés.
- 3) Les hottes à évacuation doivent être évacuées à l'extérieur.
 - a) Avant une réparation, un entretien préventif ou un nettoyage, ouvrir le panneau de la lumière et **COUPER LE COURANT ÉLECTRIQUE SUR LE TABLEAU DE DISTRIBUTION.**
 - b) Nettoyer le ventilateur, le filtre optionnel et les surfaces chargées de graisse fréquemment. Afin de réduire les risques d'incendie et afin de disperser l'air adéquatement, évacuer l'air à l'extérieur. **NE PAS** ventiler l'air d'évacuation dans les murs, les greniers, les vides sanitaires ou les garages.

NOTE: La garantie de cet appareil sera nulle sans le reçu d'un distributeur autorisé de KOBE® ou si l'appareil est endommagé par une utilisation inadéquate, une installation déficiente, un usage inapproprié, un mauvais traitement, de la négligence ou par toute autre circonstance échappant au contrôle des distributeurs autorisés de KOBE®. Toute réparation effectuée sans la supervision d'un agent autorisé de KOBE® annulera automatiquement la garantie.

KOBE® se dégage de toute responsabilité face à des dommages à la propriété personnelle ou aux biens immeubles ou encore à des blessures corporelles causées directement ou indirectement par la hotte de cuisinière.

AVERTISSEMENT –AFIN DE RÉDUIRE LES RISQUES DE BLESSURES CORPORELLES DANS L'ÉVENTUALITÉ D'UN INCENDIE DE GRAISSE SE DÉCLARANT SOUS LA HOTTE DE CUISINIÈRE :

- Tenir toujours propres le ventilateur, les filtres déflecteurs, s'il y en a, et les surfaces chargées de graisse.
- Toujours faire fonctionner la hotte lors d'une cuisson à température élevée.
- Utiliser les vitesses élevées de la hotte **UNIQUEMENT** lorsque nécessaire. Chauffer l'huile lentement aux réglages de la basse ou de la moyenne vitesse.
- Ne pas laisser la cuisinière sans surveillance lors de la cuisson.
- Toujours utiliser les articles de cuisson et les ustensiles appropriés au type et à la quantité d'aliments préparés.
- Utiliser l'appareil seulement pour l'usage auquel le fabricant l'a destiné.
- Avant l'entretien courant, couper l'alimentation électrique au tableau de distribution principal et verrouiller ce dernier (si possible) pour éviter une mise en marche accidentelle.
- Nettoyer les ventilateurs fréquemment. La graisse ne doit pas s'accumuler sur les ventilateurs et les déflecteurs.

Que faire en cas d'un incendie de graisse sur la cuisinière

- **ÉTOUFFER LES FLAMMES** à l'aide d'un couvercle hermétique, une plaque à biscuits ou un plateau métallique, puis fermer le rond ou le brûleur. **GARDER LES MATÉRIAUX INFLAMMABLES OU COMBUSTIBLES LOIN DES FLAMMES.** Si les flammes ne s'éteignent pas immédiatement, **ÉVACUER LA ZONE ET APPELER LE SERVICE D'INCENDIE ou le 911.**
- **NE JAMAIS SOULEVER UNE CASSEROLE EN FEU** - Il y a risque de brûlure.
- **NE PAS UTILISER D'EAU** incluant serviettes ou linges à vaisselle mouillés - cela provoquerait un violent jet de vapeur.
- Utiliser un extincteur **SEULEMENT** si :
 - a) vous possédez un extincteur de classe A, B ou C et si vous savez vous en servir ;
 - b) le feu est petit et est contenu dans la zone de départ ;
 - c) vous avez appelé le service d'incendie ;
 - d) vous pouvez combattre le feu le dos près d'une sortie.

Que faire si une odeur de gaz se dégage

- Éteindre toute flamme nue.
- Ne pas essayer d'allumer des lumières ou tout type d'appareil électroménager.
- Ouvrir toutes les portes et fenêtres afin de chasser le gaz. Si une odeur de gaz est toujours perceptible, appeler votre fournisseur de gaz ainsi que le service d'incendie immédiatement.

⚠ ATTENTION !

- 1) Cette hotte doit être utilisée **UNIQUEMENT** pour une ventilation normale. Ne pas s'en servir pour évacuer des substances et vapeurs dangereuses ou explosives.
- 2) Afin de réduire les risques d'incendie, employer seulement des gaines ou conduits de métal. Afin de prévenir tout refoulement d'air, il doit y avoir une quantité suffisante d'air pour assurer une combustion adéquate et une évacuation par le conduit de ventilation (cheminée) des gaz provenant de la cuisinière ou plaque de cuisson.
- 3) Suivre les directives et les consignes de sécurité des fabricants d'équipement de chauffage comme celles publiées par le *National Fire Protection Association (NFPA)* et l'*American Society for Heating, Refrigeration and Air Conditioning Engineers (ASHRAE)* de même que les codes nationaux et locaux.
- 4) À cause de la grande dimension et du poids important de cette hotte, nous recommandons de l'installer à deux personnes.
- 5) L'activation de tout interrupteur peut provoquer une mise à feu ou une explosion.

⚠ AVERTISSEMENT



RISQUE DE CHOC ÉLECTRIQUE pouvant entraîner la mort ou des blessures graves. Couper l'alimentation électrique à l'appareil avant tout entretien ou toute réparation. Si la hotte est munie d'une ampoule fluorescente, cette dernière contient une petite quantité de mercure et, en conséquence, elle doit être recyclée ou éliminée conformément aux codes locaux, provinciaux et fédéraux qui s'appliquent.

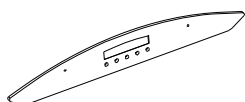
CONTENU DE L'EMBALLAGE

(POUR TOUT RETOUR OU REMBOURSEMENT CONSERVER TOUT LE MATÉRIEL AINSI QUE L'EMBALLAGE D'ORIGINE)

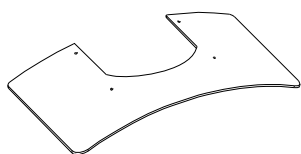
Range Hood Box (Boîte 1 de 2)

- {A} Écran LED + panneau de contrôle
- {B} Couvercle de verre

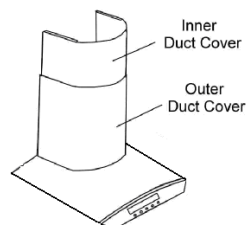
{A}



{B}



{C}



{D}



{E}



{F}



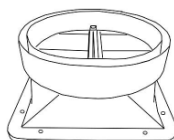
{G}



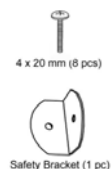
Boîte 2 de 2

- {C} Hotte de cuisinière KOBE avec couvre-conduit en deux pièces
- {D} Support de fixation - couvre-conduit
- {E} Support de fixation - hotte
- {F} Fiche d'enregistrement pour garantie
- {G} Manuel d'installation et mode d'emploi
- {H} Registre en plastique
- {I} Ensemble de vis + équerre
- {J} Joint d'étanchéité en caoutchouc
- {K} (6) Vis hexagone + (6) rondelles d'espacement + clé hexagone (1)
- {L} Récupérateur de graisse

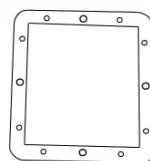
{H}



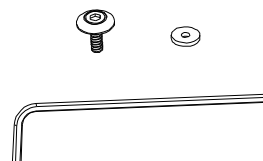
{I}



{J}



{K}



{L}



INSTALLATION

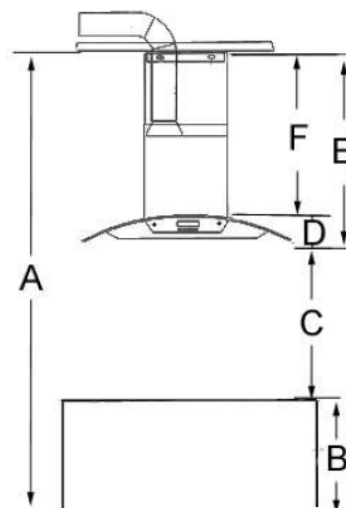
SVP LIRE AU COMPLET AVANT L'INSTALLATION

Mesures à prendre avant l'installation

Calculer la longueur de l'installation à l'aide du Tableau 1 qui suit. (Toutes les mesures sont données en pouces).

TABLEAU 1

- A = Hauteur entre le plancher et le plafond
B = Hauteur entre le plancher et le plan de travail
(Hauteur standard : 36 po)
C = **Hauteur désirée entre le plan de travail et le dessous de la hotte**
(Dégagement recommandé : de 27 à 30 po)
D = Hauteur de la hotte
E = Hauteur de l'installation de la hotte [A - (B+C)]
F = Hauteur du couvre-conduit [E - D]



⚠ **INSIGNES DE SÉCURITÉ**

LES HOTTES PEUVENT AVOIR DES BORDS TRÈS TRANCHANTS ; PORTER DES GANTS DE PROTECTION SI NÉCESSAIRE POUR RETIRER DES PIÈCES LORS DE L'INSTALLATION, DU NETTOYAGE, DE L'ENTRETIEN ET DES RÉPARATIONS.

Préparation avant l'installation

NOTE: AFIN DE PRÉVENIR TOUT DOMMAGE À LA HOTTE, IL FAUT EMPÊCHER LES DÉBRIS DE PÉNÉTRER DANS L'OUVERTURE DE VENTILATION.

- Choisir l'emplacement du conduit de ventilation de la hotte à l'extérieur. Voir photo 1.
- Un conduit court et droit permet de maximiser le rendement de la hotte.
- Essayer d'éviter autant que possible les raccords, les coudes et les longues sections de conduit puisque ceux-ci peuvent réduire le rendement de la hotte.
- Utiliser du ruban adhésif entoilé pour sceller les raccords entre les sections de tuyau.
- Si nécessaire, renforcer le mur arrière en y ajoutant du bois de charpente pour une installation sécuritaire. À l'aide des références du Tableau 1 et des mesures à la page 39, déterminer la hauteur du soutien de bois supplémentaire. Voir photo 2.
- **Important** : retirer la pellicule protectrice du couvre-conduit et de la hotte (s'il y a lieu).

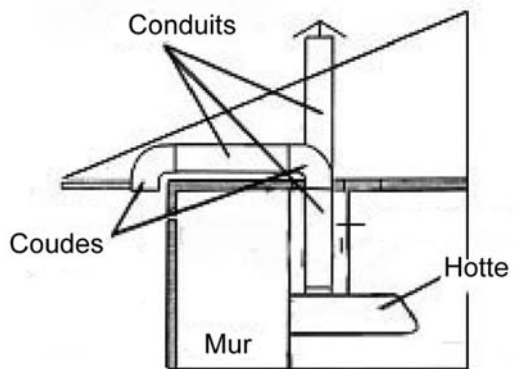


Photo 1

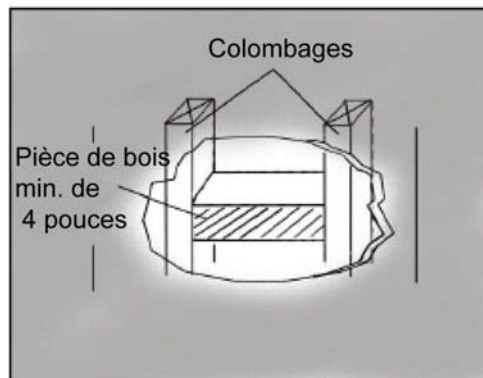


Photo 2

- 1) Enlever la pellicule protectrice du couvre-conduit et de la hotte (s'il y a lieu). Voir photo 3.
- 2) Aligner le couvercle de verre avec le corps de la hotte. Voir photo 4. Joignez le couvercle de verre au corps avec quatre vis d'hexagone et quatre rondelles d'espacement (fournies). Serrez-vous avec la clé d'hexagone (fournie). Voir la photo 5.



Photo 3



Photo 4



Photo 5

- 3) Installer l'écran LED et le panneau de contrôle en utilisant 2 vis et 2 rondelles d'espacement fournis. Serrer en utilisant la clé hexagone. Voir photo 6.

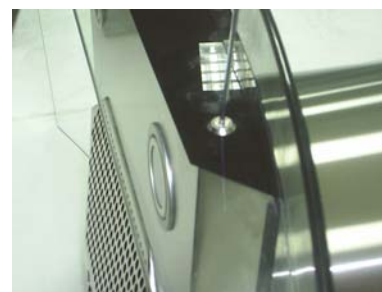


Photo 6

- 4) Placer le joint d'étanchéité en caoutchouc au pourtour de la sortie de ventilation comme illustré à la photo 7. Utiliser les vis fournies pour fixer le registre en plastique et le joint d'étanchéité en caoutchouc à la sortie de ventilation. Serrer en utilisant la clé hexagone. Voir photo 8.



Photo 7



Photo 8

5. Si nécessaire, enlevez les deux supports de caoutchouc à l'arrière de la hotte. Pour une installation plus sécuritaire, KOBE recommande de ne pas enlever les supports de caoutchouc.

6. En utilisant les références de la Table 1 et les mesures et diagrammes sur la page 39, marquez l'emplacement de la ligne de niveau du support de fixation. Sécuriser le support de fixation de la hotte au mur en utilisant des vis (non fournies). Voir la photo 9.



Photo 9

7. Aligner la hotte sur le support de fixation au mur et accrocher la hotte en place comme illustré aux photos 10 et 11. **AVERTISSEMENT : S'ASSURER QUE LA HOTTE EST SOLIDEMENT FIXÉE AVANT DE LA LÂCHER.**



Photo 10



Photo 11

8. Pour une installation plus solide, installer l'équerre de sécurité (fournie) au mur à l'aide d'une vis (non fournie) comme illustré à la photo 12.



Photo 12

Branchement à la source d'alimentation électrique

⚠ CONSIGNE DE SÉCURITÉ

RISQUE DE CHOC ÉLECTRIQUE. CETTE HOTTE DE CUISINIÈRE DOIT ÊTRE MISE À LA TERRE ADÉQUATEMENT. CE TRAVAIL DOIT ÊTRE EXÉCUTÉ PAR UN ÉLECTRICIEN PROFESSIONNEL EN CONFORMITÉ AVEC TOUS LES CODES D'ÉLECTRICITÉ LOCAUX ET NATIONAUX QUI S'APPLIQUENT. AVANT DE BRANCHER DES FILS, COUPER LE COURANT ÉLECTRIQUE AU TABLEAU DE DISTRIBUTION PRINCIPAL ET VERROUILLER CE DERNIER POUR ÉVITER QUE LE COURANT SOIT REMIS ACCIDENTELLEMENT.

9. Raccorder les trois fils (noir, blanc et vert) aux fils de la maison et les couvrir avec des capuchons de connexion.
10. Raccorder les fils selon la couleur : noir avec noir, blanc avec blanc et vert avec vert.
11. Vérifier le bon fonctionnement de la hotte avant de passer à l'étape suivante. S'assurer que le courant se rend à la hotte.
12. Si l'évacuation se fait vers l'extérieur aller directement à l'étape 19 pour les instructions sur la canalisation.

Conversation pour recirculation

La conversion requiert l'achat de système à recirculation No. RD-0183.

13. Pour l'installation système à recirculation remplacez le support de fixation de conduit pour la boîte en « T ». En utilisant les références de la Table 1 et les mesures et diagrammes sur la page 39 marquez l'emplacement de la ligne de niveau pour la boîte en « T ». Sécuriser la boîte en « T » au mur à l'aide de 3 vis (non fournie). En utilisant un ruban adhésif entoilé à conduit cacheter le registre en plastique à la boîte en « T ». (Le couvre conduit de recirculation se fixera sur la boîte en T.) Référez-vous à la photo 13.



Photo 13

14. Mesurez la distance du haut du système à recirculation au plafond et préparez un conduit de 7" en métal rond plus court de 4" que la distance mesurée.
15. Utilisez le conduit de métal rond 7" pour raccorder la boîte en « T » au registre de plastique. Utilisez du ruban adhésif entoilé pour rendre tous les joints imperméables et étanche à l'air. Assurez-vous que le tuyau est dans le sillon du registre de plastique. Voir photo 14.
16. Retirer les filtres d'acier inoxydable et installer ceux au charbon. Voir photo 20.
17. Réinstaller les filtres d'Acier inoxydable.
18. Rendez-vous à l'étape 21 portant sur l'installation de couvre conduit.

Installation du couvre-conduit

19. Utilisez un tuyau de 7" rond d'aluminium ou d'acier pour connecter le registre de plastique à la hotte et à la canalisation.
20. Utilisez du ruban adhésif entoilé pour rendre tous les joints imperméables et étanche à l'air. Assurez-vous que le tuyau est dans le sillon du registre de plastique. Voir photo 14.

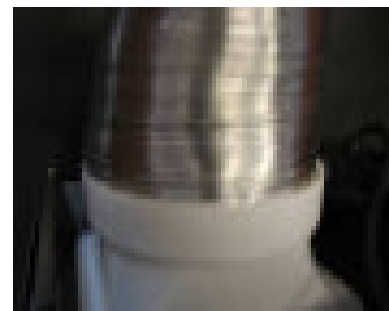


Photo 14

Installation du couvre-conduit

21. (Sauter à l'étape 22 ou 23 si vous utiliser le système de recirculation. Vous n'aurez pas besoin du support de fixation pour couvre conduit) Marquer l'emplacement à niveau du support de fixation du couvre-conduit à l'aide des références du Tableau 1 ainsi que des mesures à la page 39.
22. Attacher solidement le support de fixation du couvre-conduit au mur avec deux vis (non fournies). Voir photo 15. S'assurer que toutes les vis sont bien serrées.
23. Accrocher le couvre-conduit intérieur au support de fixation du couvre-conduit et relâcher le couvre-conduit extérieur pour qu'il s'appuie sur la hotte comme illustré aux photos 15 & 16.



Photo 15



Photo 16

Assemblage final

24. Tourner le récipient à graisse dans le sens des aiguilles de l'horloge pour l'installer. Voir photo
25. Démarrer la hotte par la commande marche/arrêt. Vérifier le fonctionnement de toutes les lampes et du ventilateur.
26. Remettre ce manuel au propriétaire pour consultation future.



Photo 17

MODE D'EMPLOI

Cette hotte de cuisinière KOBE® est munie de: cinq commandes électroniques avec écran DEL, un puissant ventilateur centrifuge à pales (cage d'écureuil) avec filtre en acier inoxydable, deux lampes halogènes 12 volts, 20 watts et un récipient à graisse.

Les cinq commandes sont: la commande marche/arrêt « Speed Control », la commande du mode automatique « Auto Control », la commande des vitesses « Speed Control » (vitesses basse et élevée), la commande des lampes « Light control » et la commande de la minuterie « Timer Control ». Voir Figure 18.

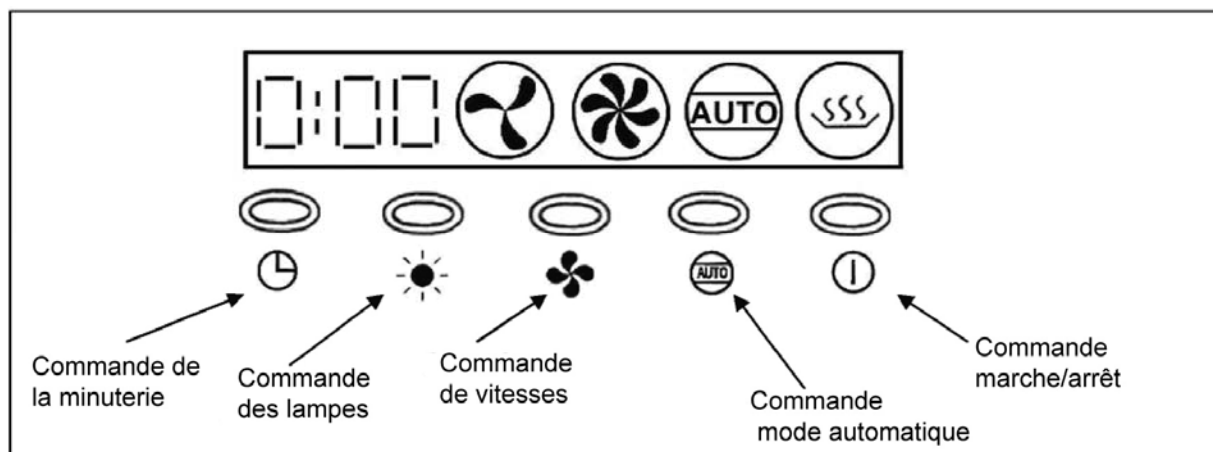
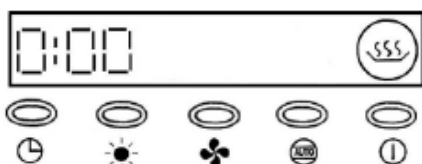


Photo 18

Commande marche/arrêt

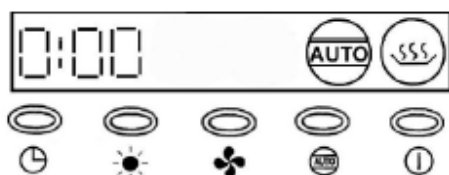
Appuyer sur le bouton marche/arrêt pour démarrer ou arrêter la hotte.
Affichage DEL:



Commande du mode automatique

Appuyer sur le bouton du mode automatique pour amorcer le détecteur automatique de la hotte. Lorsque des émanations de gaz, de la fumée ou des températures variables sont détectées, le ventilateur se met en marche automatiquement à la vitesse préalablement réglée. (* Température plus élevée que la température ambiante normale.)

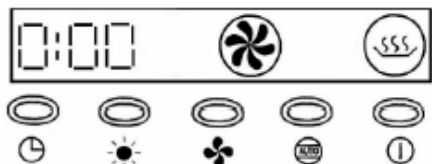
Affichage DEL:



Commande des vitesses

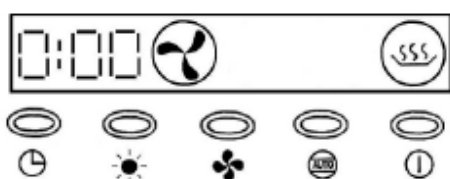
Appuyer une fois pour lancer la vitesse élevée.

Affichage DEL:



Appuyer deux fois pour lancer la vitesse basse.

Affichage DEL:



Commande des lampes

Appuyer sur le bouton de commande des lampes pour allumer les deux lampes halogènes.

Commande de la minuterie

Appuyer sur le bouton de commande de la minuterie pour mettre cette dernière en fonction. Lorsque la commande de la minuterie est enfoncée, le ventilateur se ferme automatiquement une fois écoulée la durée de temps réglée. La minuterie va de 1 à 99 minutes.

Pour désactiver la minuterie, mettre le bouton marche/arrêt à arrêt, puis appuyer encore une fois sur le bouton marche/arrêt pour le mettre en marche.

ENTRETIEN PRÉVENTIF

⚠ AVERTISSEMENT :

NE JAMAIS METTRE VOS MAINS DANS L'AIRE ABRITANT LE VENTILATEUR ALORS QUE CELUI-CI EST EN FONCTION.

Pour favoriser un rendement optimal, nettoyer régulièrement les surfaces de la hotte, le filtre en acier inoxydable et le récipient à graisse.

Nettoyage des surfaces de la hotte

⚠ AVERTISSEMENT: NE JAMAIS EMPLOYER DE NETTOYANTS ABRASIFS, DE LAINES À RÉCURER OU DE TISSUS ABRASIFS.

*** Un entretien fréquent aidera à conserver une belle apparence à la hotte.

1. Utiliser seulement du savon doux ou du détergent. Sécher les surfaces avec un chiffon doux.
2. Si la hotte est tachée (hotte en acier inoxydable), utiliser un nettoyant à base d'agrumes pour nettoyer les surfaces. Éviter de mettre du nettoyant sur les boutons de commande. Étendre une petite quantité sur les surfaces et laisser reposer quelques minutes (ne pas laisser trop longtemps car cela pourrait endommager le fini de la hotte). À l'aide d'un chiffon doux, enlever la solution nettoyante et frotter doucement les taches rebelles. Utiliser un chiffon légèrement humide pour enlever tout résidu de solution nettoyante. Sécher la hotte avec un chiffon doux.
3. Pour redonner du brillant au fini en acier inoxydable, utiliser un nettoyant pour acier inoxydable.
4. NE PAS laisser les dépôts s'accumuler durant de longues périodes de temps.
5. NE PAS utiliser de laines ou de brosses à recurer ordinaires. Des particules d'acier peuvent adhérer à la surface et la faire rouiller.
6. NE PAS permettre à des solutions salines, des désinfectants, des javellisants ou des agents nettoyants de rester en contact avec l'acier inoxydable durant de longues périodes. Plusieurs de ces nettoyants contiennent des produits chimiques pouvant causer du tort à l'acier inoxydable. Après tout contact de ce type, rincer à l'eau et essuyer avec un chiffon doux.

Nettoyage du filtre en acier inoxydable et du récipient à graisse

AVERTISSEMENT : VIDER LE RÉCIPIENT À GRAISSE AVANT QU'IL N'Y AIT TROP D'ACCUMULATION DE GRAISSE.

- 1) Le récipient à graisse fixé sous le filtre en acier inoxydable peut être enlevé en le tournant à l'inverse des aiguilles d'une montre.
- 2) Pour nettoyer le filtre en acier inoxydable, retirer les vis (les conserver en lieu sûr) et le faire glisser vers l'extérieur.
- 3) Le récipient à graisse ainsi que le filtre en acier inoxydable doivent être lavés dans une eau chaude savonneuse et séchés entièrement avant de les remettre en place. Les deux peuvent se laver en toute sécurité dans le haut du lave-vaisselle.

Nettoyage du filtre au charbon (Ensemble de recirculation optionnel)

- 1) Turner le récipient à graisse en sens inverse des aiguilles d'une montre. Voir photo 18.
- 2) Utiliser un tournevis pour retirer les vis. (2 pièces). Voir photo 19.

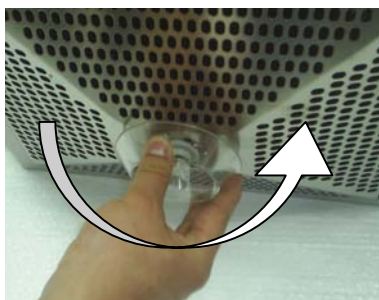


Photo 18



Photo 19

Retirer le filtre de charbon des 2 filtres d'acier inoxydable. Voir photo 20.

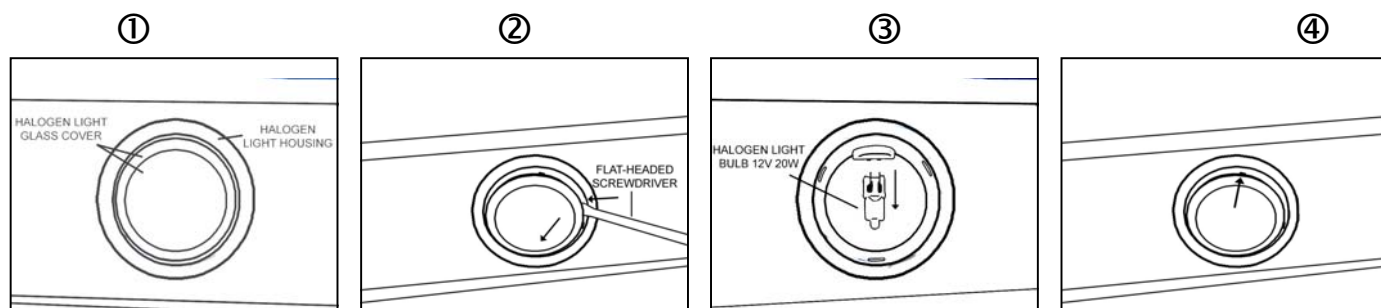
- 3) Placer le filtre de charbon dans une solution d'eau tiède et de détergent doux et rincer abondamment. Sécher et replacer.
- 4) Réinstaller le filtre de charbon et ceux d'acier inoxydable.



Photo 20

Remplacement des ampoules de lampe à halogène

**AVERTISSEMENT: LE DISPOSITIF DE LA LAMPE À HALOGÈNE PEUT ÊTRE BRÛLANT!
ATTENDRE QU'IL SE REFROIDISSE.**



- 1) S'assurer que toutes les commandes sont en mode ARRÊT et que la hotte de cuisinière est débranchée.
- 2) Insérer un tournevis à tête plate entre le protège-lampe et le boîtier ① pour retirer le couvercle ②.
- 3) En douceur, retirer l'ampoule défectueuse ③ et la jeter. Les ampoules à utiliser doivent être de 12 V et de 20 W au maximum.
- 4) Enfiler des gants de coton ou utiliser un chiffon pour toucher l'ampoule à remplacer (ne pas manipuler à mains nues puisque ceci pourrait réduire la durée de vie de l'ampoule). En douceur, pousser l'ampoule fermement dans la douille.
NOTE : NE PAS POUSSER TROP FORT PUISQUE LES « BRANCHES » DE L'AMPOULE POURRAIENT SE BRISER.
- 5) Remettre le protège-lampe en place.
- 6) Mettre en marche la hotte de cuisinière pour effectuer un essai de fonctionnement.

SPÉCIFICATIONS

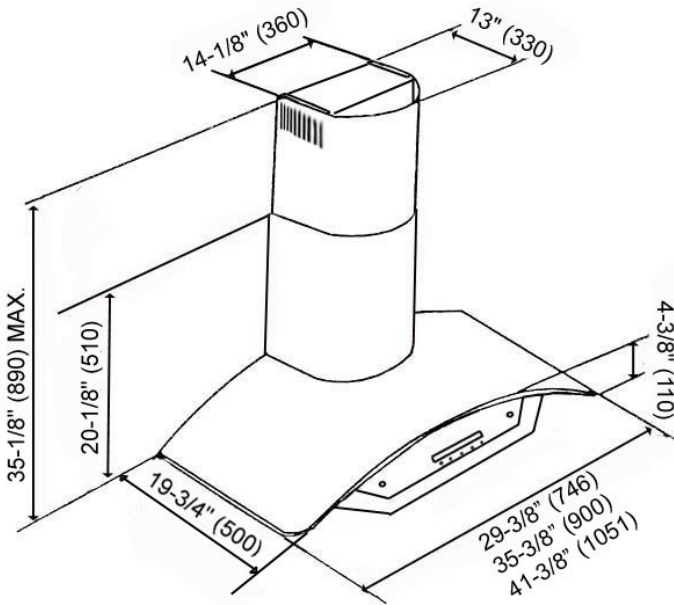
MODÈLE / FORMAT	CX1830GS-8 - 30 po, CX1836GS-8 - 36 po CX1842GS-8 - 42 po		
COULEUR	Acier inoxydable de qualité commerciale n° 304		
VOLTAGE / AMPÈRE	120 V 60 Hz / 189 W		
NOMBRE DE MOTEURS	1		
DESIGN	Calibre 18		
TYPE DE VENTILATEUR	Centrifuge à pales (cage d'écureuil)		
ÉVACUATION	7 po		
COMMANDES	Commandes électroniques (5 boutons): marche/arrêt, mode automatique, vitesses (basse et élevée), lampes et minuterie.		
LAMPES HALOGÈNES	2 ampoules 12 V, 20 W		
DIMENSIONS DE LA HOTTE (LARGEUR X PROFONDEUR X HAUTEUR)	CX1836GS-8 35 3/8 po x 19 3/4 po x 4 3/8 po		
DIMENSIONS DU COUVRE-CONDUIT (LARGEUR X PROFONDEUR X HAUTEUR)	CX-183DC	14 1/8 po x 13 po x (15 3/4 po ~ 30 3/4 po)	
ACCESSOIRES EN OPTION (LARGEUR X PROFONDEUR X HAUTEUR)	1)	Rallonge de couvre-conduit intérieur de 21 po CX183-21DC 14 1/8 po x 13 po x (15 3/4 po ~ 37 po)	
	2)	Panneau arrière en acier inoxydable - 30 po (SSP30) 30 po x 1/10 po x 32 po	
	3)	Panneau arrière en acier inoxydable - 36 po (SSP36) 36 po x 1/10 po x 32 po	
POIDS (lb)	CX1836GS-8	<u>NET</u> 48,5	<u>BRUT</u> 53,0
VITESSE		Basse	Élevée
Capacité d'air (cfm)		400	600
Sone*		1.3	2.8

* Un sone équivaut au son d'un réfrigérateur à 40 décibels.

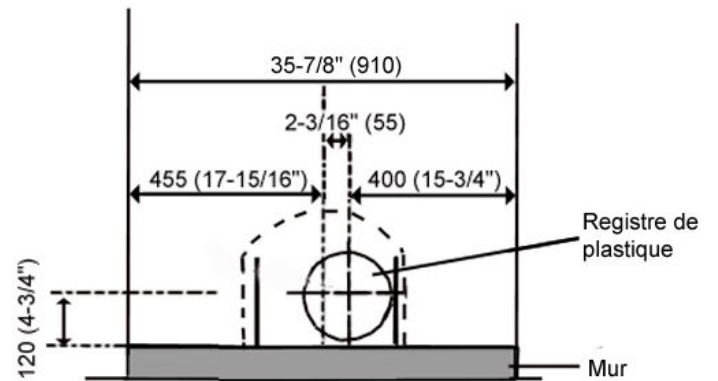
** Les spécifications sont sujettes à changement sans préavis.

MESURES ET SCHÉMAS

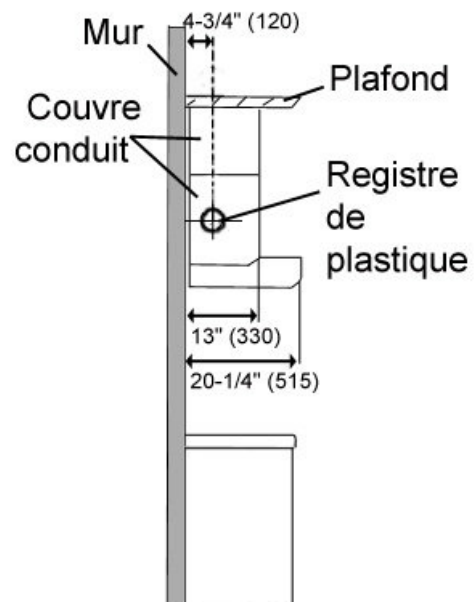
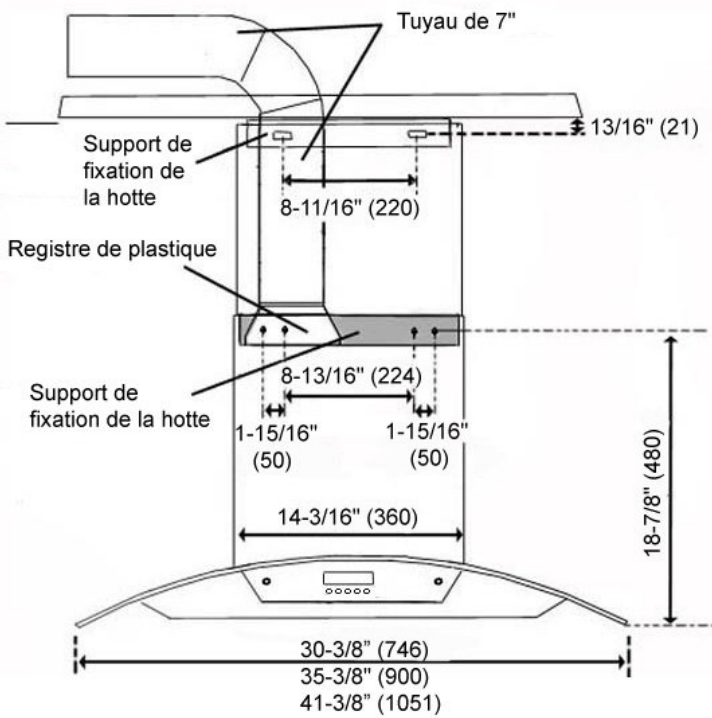
- Toutes les mesures entre parenthèses sont en millimètres.
- Toutes les mesures en pouces sont converties à partir de millimètres. Les mesures en pouces sont estimées.



Vue de haut en bas



Vue de côté



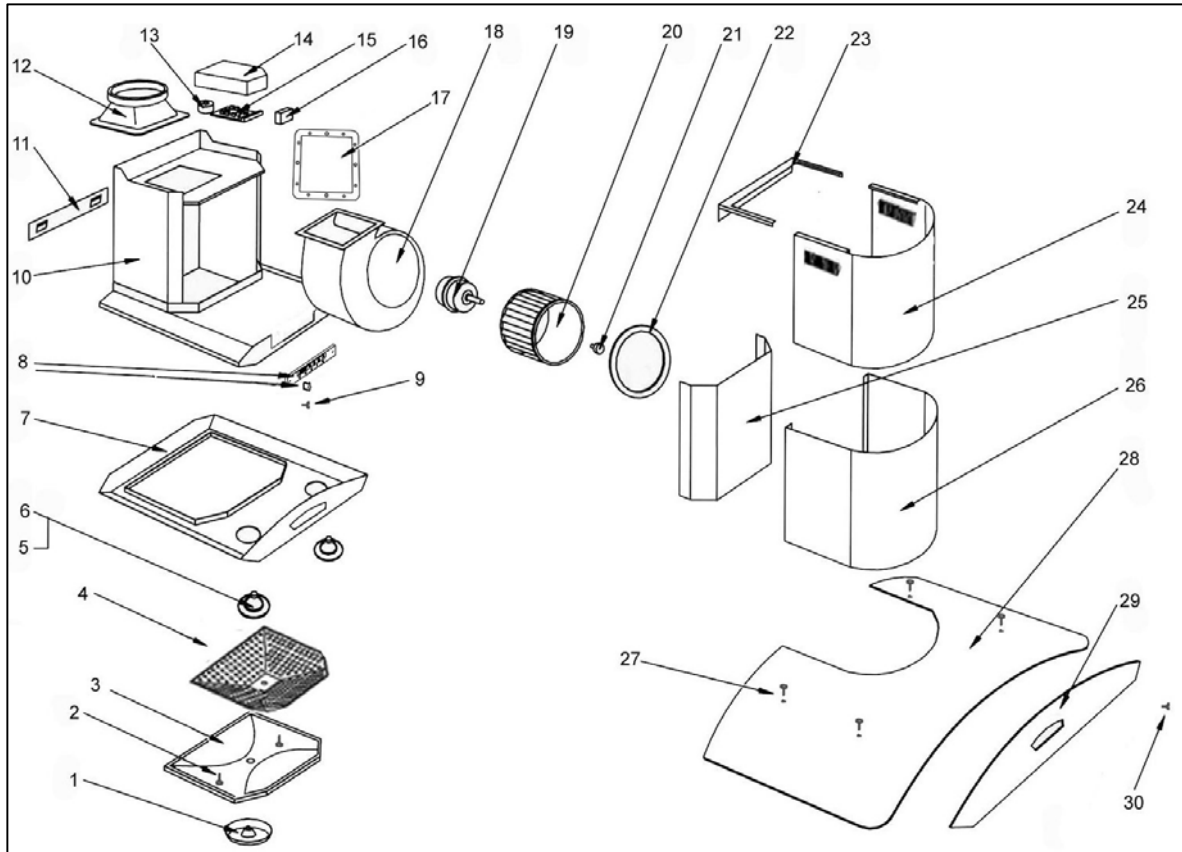
LISTE DES PIÈCES

N° de modèle: CX1830GS-8, CX1836GS-8, CX1842GS-8

N°	DESCRIPTION	MODÈLE	N° DE PIÈCE
1	Récipient à graisse (rond)		1-HAN-M001
2	Vis - filtre en acier inoxydable		FT-S-1
3	Filtre en acier inoxydable		1-FBL-A009
4	Filtre à mèche en aluminium		1-HGF-A100
5	Support - lampe halogène		1-FAV-J703
6	Lampe halogène (12 V, 20 W max.)		1-FAV-ZJ01
7	Caisson inférieur (pare-éclaboussures)		1-FAZ-A001
8	Boîtier de commandes Bouton de contrôle		1-HDC-G100 1-FAZ-J100
9	Vis - boîtier de commandes		FT-S-2
10	Caisson de la hotte		1-FAZ-A100
11	Support de fixation de la hotte		1-FAZ-M002
12	Registre en plastique		1-FAV-M011
13	Transformateur		1-HAN-J101
14	Boîtier de câblage		1-FAV-G001
15	Processeur		1-FAX-G100
16	Condensateur		1-HAN-G001
17	Joint d'étanchéité en caoutchouc		1-FAV-M005
18	Boîtier de moteur		1-FAV-F160
19	Moteur		1-HAN-F110
20	Ventilateur		1-FAV-F170
21	Vis de serrage		1-FAA-F205
22	Couvercle de ventilateur		1-FAV-F120
23	Support de fixation du couvre-conduit		1-FAV-M020
24	Couvre-conduit intérieur		1-HJS-M001
25	Couvercle du boîtier de moteur		1-FAV-A006
26	Couvre-conduit extérieur		1-HJS-A100
27	Vis- pour couvert de verre		FT-S-4
28	Couverts de verre	30"	CX183-30G
		36"	CX183-36G
		42"	CX183-42G
29	Écran à DEL		1-FAZ-A002
30	Vis- tableau de commandes		FT-S-3

N°	DESCRIPTION	MODÈLE	N° DE PIÈCE
31	Boîte en « T »		1-HGF-M100
32	Cadre de filtre au charbon		1-HGF-A100
33	Filtre au charbon		1-HJT-F101

N° de modèle:
 CX1830GS-8
 CX1836GS-8
 CX1842GS-8



SYSTÈME DE RECIRCULATION
 (Optionnel)

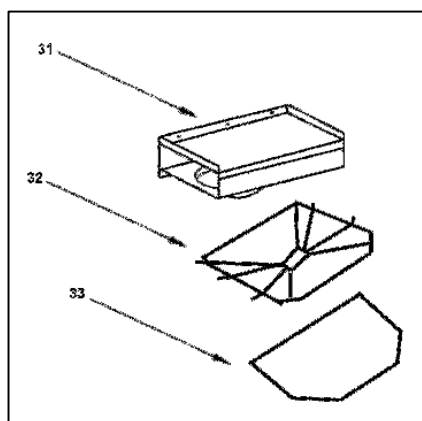


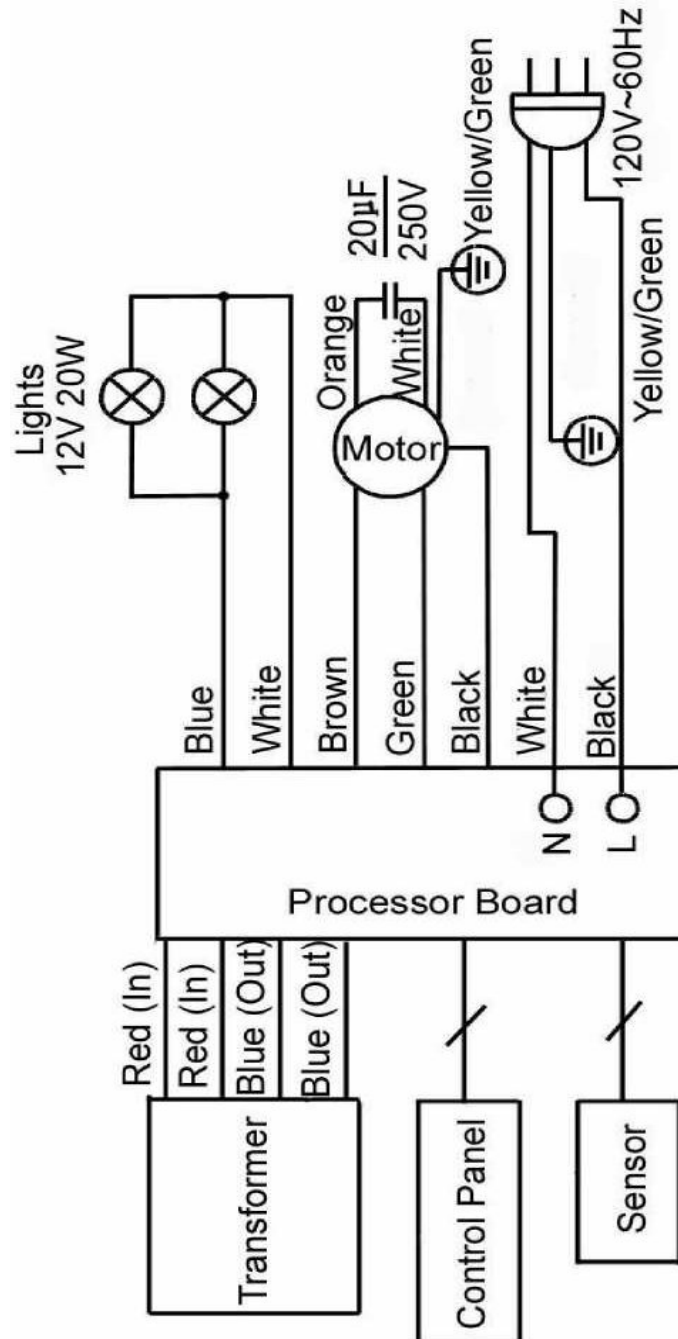
SCHÉMA DE CÂBLAGE

N° de modèle:

CX1830GS-8

CX1836GS-8

CX1842GS-8



INSTRUCCIONES IMPORTANTES DE SEGURIDAD

Problema	Posible Causa	Solución
Después de la Instalación, ninguno de los motores ni las luces están funcionando.	No está encendido.	Asegúrese que el interruptor de circuitos y la unidad se encuentren encendidos. Utilice un medidor de voltaje para verificar la energía de entrada.
	La conexión de cables no está bien sujeta.	Verifique y ajuste la conexión de cables.
	El cableado del panel de control y la placa de procesador está desconectado.	Verifique la continuidad del cable desde el panel de control hasta la placa de procesador.
	El transformador del motor está defectuoso.	Verifique la entrada y salida de la corriente el transformador del motor. De ser necesario, reemplace el transformador del motor.
	El panel de control y la placa de procesador están defectuosos.	Reemplace el panel de control o la placa de procesador.
Las luces están funcionando pero el(los) motor(es) no.	El/los motor(es) está(n) defectuoso(s).	Reemplace el motor.
	El/los condensador(es) está(n) defectuoso(s).	Reemplace el(los) condensador(es).
	El panel de control o la placa de procesador están defectuosos.	Reemplace el panel de control o la placa de procesador.
La campana de extracción está vibrando.	El sistema de ventilador no está bien sujeto.	Tighten the turbine impeller/squirrel cage and air chamber.
	El impulsor de turbina/jaula de ardilla no está balanceado.	Ajuste el impulsor de turbina/jaula de ardilla y la cámara de aire.
	La campana no está bien sujeta en su lugar	Verifique la instalación de la campana, ajuste el soporte de montaje.
El motor está funcionando pero las luces no.	El(los) foco(s) de la Lámpara de Halógeno está(n) defectuoso(s).	Intente colocar el foco que le está dando problemas en otro receptáculo que funcione, si aún así éste no funciona, reemplace el foco de halógeno.
	El cableado de la luz está flojo.	Verifique la continuidad del cable desde la placa de procesador al transformador de la luz hasta la caja de la lámpara de halógeno.
	El transformador de la luz está defectuoso.	Verifique la entrada y salida de la corriente en el transformador de la luz. De ser necesario, reemplace el transformador de la luz.
	El panel de control o la placa de procesador están defectuosos.	Reemplace el panel de control o la placa de procesador.
La campana de extracción no está ventilando correctamente.	La campana de extracción no se encuentra instalada en el espacio recomendando por el fabricante.	Ajuste el espacio entre la campana y la parte superior de la estufa a 27" a 30". Para la campana de cocina de isla, el espacio entre la campana y la parte superior de la estufa deberá ser de 30" a 36"
	No hay aire de reposición en la casa.	Abra la ventana para optimizar el rendimiento de la campana de extracción creando suficiente aire de reposición.
	Una obstrucción bloquea la red de conductos.	Remueva todas las obstrucciones de la red de conductos.
	El tamaño del tubo es más pequeño que el tubo recomendado.	Cambie los tubos de acuerdo con la recomendación del fabricante.
Aire frío entra en la casa	La conexión de los conductos no está sellada correctamente.	Verifique la instalación de los tubos
	El regulador no está instalado adecuadamente o no ha sido instalado.	Verifique la instalación del regulador.
	El regulador no está instalado.	Instalar el regulador le ayudará a eliminar el reflujo de aire.

CLÁUSULA DE EXENCIÓN

1. **INSPECCIONE CUIDADOSAMENTE TODOS LOS ARTÍCULOS VERIFICANDO QUE NO EXISTAN DAÑOS ANTES DE ACEPTAR LA ENTREGA. PIDA EL NOMBRE Y FIRMA DEL AGENTE DE TRANSPORTE Y CONSERVE UNA COPIA PARA RESPALDAR SU RECLAMO.** Al momento de aceptar los artículos, el propietario asume la responsabilidad de que lleguen de manera segura. Reporte los daños al transportista y presente un reclamo inmediatamente. El no hacerlo podría resultar en un rechazo de su reclamo. El transportista le entregará los formularios necesarios para presentar un reclamo. **LOS DAÑOS CAUSADOS DURANTE EL TRANSPORTE NO SE ENCUENTRAN CUBIERTOS BAJO NUESTRA GARANTÍA.**

2. **POR FAVOR, ¡INSPECCIONE LOS CONTENIDOS DEL PAQUETE(S) CUIDADOSAMENTE AL RECIBIRLOS!**

Se nos deberá notificar por escrito sobre cualquier daño y/o piezas faltantes dentro del periodo de días establecidos luego de haber recibido su paquete(s). Contacte a su distribuidor o concesionario KOBE o llame a KOBE para obtener información sobre el límite de tiempo. **LOS RECLAMOS NO SERÁN ACEPTADOS DESPUÉS DEL PERIODO DE DÍAS ESTABLECIDOS.** NOTA: LOS ARTÍCULOS FUERON SOMETIDOS A PRUEBAS Y EMPACADOS CUIDADOSAMENTE EN NUESTRA FABRICA ANTES DE SU ENVÍO.

3. Los productos deberán ser devueltos en buen funcionamiento con TODAS las piezas y documentación originales empacados en TODOS los cartones, rellenos y cajas de envío originales. Se cobrará una tarifa por reposición de existencias del 25% para todas las devoluciones aprobadas.

LOS CAMBIOS O DEVOLUCIONES PODRÍAN NO ACEPTARSE SI FALTARA ALGÚN MATERIAL DE EMPAQUE.

4. **ASEGÚRESE DE INSPECCIONAR LA CAMPANA VERIFICANDO QUE NO EXISTAN DAÑOS O DEFECTOS ANTES DE INSTALARLA.** Las imperfecciones en la apariencia de la campana que se encuentren después de que ésta haya sido instalada y que no afecten el rendimiento de la misma, no se encuentran cubiertas bajo nuestra garantía sobre devoluciones o cambios. Las visitas de servicio que no se encuentran cubiertas bajo la garantía incurrirán un cargo por servicio.

A) Antes de la Instalación: Envíe de vuelta para cambio o reembolso (por favor consultar lo anterior para averiguar sobre las devoluciones aceptadas).

B) Después de la Instalación: **NO** habrá ningún cambio ni reembolso.

GARANTÍA

CERTIFICADO DE GARANTÍA

KOBE Range Hoods, Inc. garantiza que todos los productos fabricados o proporcionados por la compañía se encontrarán libres de defectos en cuanto a mano de obra y materiales. Sus obligaciones según esta garantía se encuentran limitadas a un periodo de dos años a partir de la fecha de compra y a reparar o reemplazar a su elección y sujeto a los términos y condiciones establecidas a continuación, cualquier pieza, que luego de ser examinada demuestre que estaba defectuosa.

PERIODO DE SERVICIO DE LA GARANTÍA DE DOS AÑOS

Cualquier avería cubierta que ocurra dentro de un periodo de dos años a partir de la fecha de compra original que surja a causa de mano de obra o material defectuoso de fábrica será reparada (o reemplazada a nuestra discreción) sin costo alguno por parte de un Agente autorizado de KOBE Range Hoods o KOBE Range Hoods según corresponda.

Tenga a la mano un comprobante de compra (o la factura original) para su verificación.

Si la campana de extracción ha sido vendida por el comprador original durante el periodo de garantía, el nuevo propietario estará protegido hasta que la garantía del comprador original se venza.

CONDICIONES

Las siguientes condiciones aplican solamente en relación a la garantía otorgada explícitamente por este certificado.

- 1) Esta garantía aplica solamente:
 - a) Dentro de EE.UU. y Canadá.
 - b) A las campanas de extracción de USO UNIFAMILIAR PRIVADO (si han sido utilizadas COMERCIALMENTE o USO MULTIFAMILIAR u otros propósitos, la garantía se anulará).
- 2) La reparación de cualquier avería a proporcionarse bajo esta garantía no se proporcionará:
 - a) si el número de identificación colocado en la campana de extracción ha sido alterado, se considera ilegible o ha sido removido;
 - b) si no se ha presentado una notificación del defecto dentro del periodo de tiempo correspondiente;
 - c) fallo de los focos de la luz o lámparas de calor;
 - d) por daños físicos;
 - e) por superficies dañadas por la utilización de agentes de limpieza químicos no adecuados;
 - f) si el aparato ha:
 - i) estado sujeto a uso inadecuado, abuso, negligencia, accidentes, instalación incorrecta o el no seguir las instrucciones de operación;
 - ii) sido conectado a fuentes eléctricas, conductos de extracción, tubos o cubierta de conductos inadecuados, incorrectos o defectuosos, u operado utilizando lubricantes contaminados o incorrectos;
 - iii) sido instalado, mantenido u operado de manera distinta a lo que se ha estipulado en las instrucciones proporcionadas por KOBE Range Hoods incluyendo el uso inadecuado de detergentes, blanqueadores o limpiadores.
 - g) por daños causados a la campana de extracción durante su transporte, entrega, instalación o al quitarla;
 - h) por daños causados por o que resulten de reparaciones conducidas por cualquier otra persona que no sea nuestro Agente de Servicio Autorizado.
 - i) ruido o vibración causada por una instalación incorrecta de la campana de extracción y/o el regulador.

- 3) El comprador será el responsable por cualquier gasto relacionado a hacer que la campana de extracción se encuentre preparada para que se le dé servicio y también cuando la campana de extracción se encuentre instalada fuera del territorio de venta principal del minorista o el territorio de servicio del Agente autorizado de KOBE Range Hoods más cercano según corresponda, por cualquier gasto de viaje y cualquier costo de transporte de la campana de extracción y piezas desde y hacia el concesionario y Agente de Servicio.
- 4) El comprador deberá proporcionar un comprobante de compra junto con este certificado de garantía al presentar un reclamo.
- 5) Los daños causados durante el envío no se encuentran cubiertos bajo nuestra garantía.

DAÑOS EMERGENTES

El garante no se hace responsable por ningún daño emergente. ALGUNOS ESTADOS NO PERMITEN LA EXCLUSIÓN DE DAÑOS EMERGENTES ASÍ QUE LA EXCLUSIÓN ANTERIOR PODRÍA NO CORRESPONDERLE.

GARANTÍAS IMPLÍCITAS/LEY ESTATAL

Cualquier garantía implícita, incluyendo la garantía implícita de comerciabilidad y adecuación al objetivo, impuestas al momento de la venta por las leyes del estado de venta se encuentran limitadas a dos años a partir de la fecha original de compra. Algunos estados no permiten límites en cuanto a la duración de las garantías implícitas. Esta garantía le otorga derechos legales específicos y podría también incluir derechos, que varían de estado en estado.

SERVICIO

Para servicio contacte a:

KOBE Range Hoods
11775 Clark St.
Arcadia, CA 91006, U.S.A.
Tel: 1-877-BUY-KOBE (1-877-289-5623)
Correo electrónico: customer.service@KOBERangeHoods.com
Sitio de Internet: www.KOBERangeHoods.com

Enregistrement de votre produit

KOBE ® offre un service de réparation ou de remplacement, (à être déterminé par KOBE ® ou un de ses agents de service autorisés) sans frais pour toutes les pièces ou éléments défectueux dont le mal fonctionnement est dû à un défaut de fabrication à l'intérieur d'un délai de deux ans suivant l'achat original.

Conserver votre preuve d'achat ou la facture originale. Si l'appareil est vendu par l'acheteur original pendant la période de garantie le nouveau propriétaire est protégé jusqu'à l'expiration de la garantie originale de l'acheteur.

Attention : pour obtenir du service sous garantie vous devez avoir une preuve de la date d'achat du produit.

Pour de l'information plus complète quant aux détails de la garantie veuillez vous référer à la dite section de ce manuel.

Cet appareil a été fabriqué, testé, et inspecté selon les normes requises par KOBE ® Range Hoods Inc.

SVP ENVOYER PAR COURRIER VOTRE CARTE D'ENREGISTREMENT DE GARANTIE AINSI QU'UNE PREUVE D'ACHAT À :

KOBE Range Hoods Inc.
11775 Clark Street
Arcadia, CA 91006
U.S.A.

INFORMATION POUR VOS DOSSIERS:

Modèle : _____

No de Série : _____

Date d'achat : (JJ) ____ / (MM) ____ / (AAAA) ____

Achat effectué chez :

Nom : _____

Adresse : _____

Tel : _____

IMPORTANT : TOUJOURS CONSERVER UNE COPIE DE VOTRE PREUVE D'ACHAT OU DE VOTRE FACTURE.

KOBE[®]

KOBE Range Hoods
11775 Clark St.
Arcadia, CA 91006, U.S.A.

<http://www.KOBERangeHoods.com>

Esta campana de extracción KOBE ha sido fabricada para ser utilizada únicamente en EE.UU. y CANADÁ. No recomendamos la utilización de esta campana en el extranjero debido a que la fuente de energía podría no ser compatible y podría violar el código eléctrico de dicho país. **Utilizar una campana KOBE en el extranjero será a su propio riesgo y anulará la garantía.**

Information subject to change without notice.

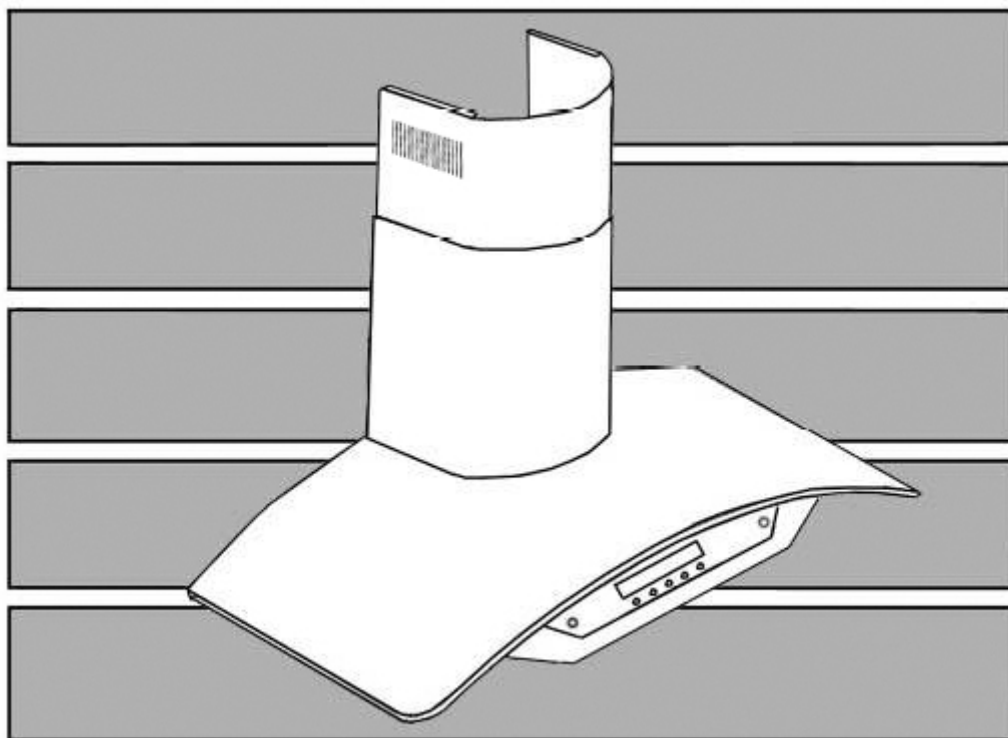
VER.091208

KOBE® Campana de Extracción KOBE

Modelo No. CX1830GS-8 (30")
CX1836GS-8 (36")
CX1842GS-8 (42")

SERIE CX-183 –INDEPENDIENTE ALTURA DE 4”

“TOLDO DE VIDRIO CON PANTALLA LED”



**INSTRUCCIONES DE INSTALACIÓN
Y MANUAL DE OPERACIÓN**

- LEA Y CONSERVE ESTAS INSTRUCCIONES -

ÍNDICE

INSTRUCCIONES IMPORTANTES DE SEGURIDAD.....	52
COMPONENTES DEL PAQUETE	54
INSTALACIÓN	55
Preparación antes de la Instalación.....	55
Cableado Hacia la Fuente de Energía	58
Conversión Recirculante	58
Instalación de la Red de Conductos.....	59
Instalación de la Cubierta de Conductos.....	59
Ensamblado Final.....	59
INSTRUCCIONES DE OPERACIÓN.....	60
MANTENIMIENTO.....	62
ESPECIFICACIONES.....	64
MEDIDAS Y DIAGRAMAS.....	65
LISTADO DE PIEZAS.....	66
DIAGRAMA DE CIRCUITO.....	68
INSTRUCCIONES IMPORTANTES DE SEGURIDAD	69
CLÁUSULA DE EXENCIÓN.....	70
GARANTÍA.....	71
REGISTRO DEL PRODUCTO.....	73

- LEA CUIDADOSAMENTE TODAS LAS INSTRUCCIONES ANTES DE
COMENZAR -

TODO EL CABLEADO DEBERÁ REALIZARSE POR UN PROFESIONAL
Y DE ACUERDO CON TODOS LOS CÓDIGOS ELÉCTRICOS NACIONALES
Y LOCALES



INSTRUCCIONES IMPORTANTES DE SEGURIDAD

- POR FAVOR, LEA CUIDADOSAMENTE ESTA SECCIÓN ANTES DE INSTALAR -

⚠️ ADVERTENCIA: PARA REDUCIR EL RIESGO DE INCENDIO, ELECTROCUCIÓN O LESIÓN PERSONAL, TOMA EN CUENTA LO SIGUIENTE:

- 1) La instalación y el cableado eléctrico deberán realizarse por profesionales calificados y de acuerdo con todos los códigos y estándares correspondientes, incluyendo los códigos y normas sobre la construcción para prevenir incendios.
- 2) Al cortar o perforar una pared o techo, tenga cuidado de no dañar el cableado eléctrico u otras instalaciones de servicios ocultas.
- 3) Los ventiladores con conductos deberán tener una ventilación hacia el exterior.
 - a) Antes de darle servicio o limpiar la unidad, abra el panel de la luz y **DESCONECTE EL SUMINISTRO ELÉCTRICO EN EL PANEL DE SERVICIO.**
 - b) Limpie frecuentemente las superficies saturadas con grasa. Para reducir el riesgo de incendio y para dispersar el aire adecuadamente, asegúrese de ventilar el aire al exterior. **NO ventile el aire del escape en espacios cerrados entre paredes, áticos, espacios de acceso debajo de pisos o garajes.**

NOTA - Esta garantía no es válida sin un recibo de un agente autorizado o si la unidad se ha dañado debido al maltrato, mala instalación, uso inadecuado, abuso, negligencia o cualquier otra circunstancia que se encuentre fuera del control de los agentes autorizados de KOBE RANGE HOODS. Cualquier reparación que se realice sin la supervisión de los agentes autorizados de KOBE RANGE HOODS anulará la garantía automáticamente.

- KOBE RANGE HOODS no se hará responsable por cualquier daño a la propiedad personal o inmobiliario ni por las lesiones físicas que se hayan causado ya sea directa o indirectamente por la campana de extracción.

⚠️ ADVERTENCIA: PARA REDUCIR EL RIESGO QUE OCURRAN LESIONES PERSONALES EN CASO DE UN INCENDIO CAUSADO POR LA GRASA ACUMULADA EN LAS HORNILLAS DE LA ESTUFA:

- Mantenga limpios todos los ventiladores, deflectores/separadores/filtros/conductos de aceite/recipientes para aceite y las superficies saturadas con grasa. No deberá permitirse que la grasa se acumule en el ventilador, deflector/separador/filtro/conducto de aceite/ recipiente para aceite.
- Siempre ENCIENDA el extractor cuando cocine.
- Utilice las configuraciones altas en la estufa **SOLAMENTE** cuando sea necesario.
- No deje la estufa sin supervisión mientras esté cocinando.
- Siempre utilice utensilios de cocina adecuados para el tipo y cantidad de alimentos que prepara. Utilice esta unidad únicamente de la manera en que fue diseñada por el fabricante.
- Antes de darle servicio, desconecte el suministro eléctrico en el panel de servicio y cierre bajo llave el panel de servicio (de ser posible) para prevenir que la unidad se encienda accidentalmente.
- Limpie el ventilador con frecuencia.

Qué Hacer en Caso de Un Incendio Causado por la Grasa Acumulada en las Hornillas de la Estufa

- SOFOQUE LAS LLAMAS con una tapadera, una bandeja para hornear galletas o una bandeja de metal que quede bien ajustada y luego apague la hornilla. MANTENGA TODO EL MATERIAL INFLAMABLE O COMBUSTIBLE LEJOS DE LAS LLAMAS. Si las llamas no se apagan inmediatamente, EVACUE EL ÁREA Y LLAME AL DEPARTAMENTO DE BOMBEROS o al 911.
- NUNCA LEVANTE UN SARTÉN QUE SE ESTÉ QUEMANDO – Usted Podría Quemarse.
- NO UTILICE AGUA, incluyendo paños o toallas mojadas - esto resultará en una explosión violenta de vapor.
- Utilice un extinguidor SOLO si:
 - a) Cuenta con un extinguidor Clase A, B, C y sabe cómo utilizarlo.
 - b) El incendio es pequeño y se ha contenido en el área en donde comenzó.
 - c) Ha llamado al departamento de bomberos.
 - d) Puede combatir el incendio con su espalda dirigida hacia una salida.

Qué Hacer si Siente Olor a Gas

- Apague cualquier llama abierta.
- No intente encender las luces o cualquier otro tipo de aparato.
- Abra todas las puertas y ventanas para dispersar el gas. Si aún así siente olor a gas, llame a la Compañía de Gas y al Departamento de Bomberos inmediatamente.

⚠PRECAUCIÓN

- 1) Solamente para ventilación general. No utilizar para eliminar materiales y vapores peligrosos o explosivos.
- 2) Para reducir el peligro de incendio, utilice solamente una red de conductos metálicos. Necesita aire suficiente para la combustión y eliminación de gases por medio del conducto de ventilación (chimenea) para prevenir la explosión de flujo de aire en retroceso.
- 3) Siga las directrices y estándares de seguridad del fabricante del equipo de calefacción, tales como aquellos publicados por la Asociación de Protección contra Incendios (National Fire Protection Association – NFPA) y la Sociedad Americana de Ingenieros en Calefacción, Refrigeración y Aire Acondicionado (American Society for Heating, Refrigeration and Air Conditioning Engineers – ASHRAE) y las autoridades normativas.
- 4) Activar cualquier interruptor podría causar una explosión o ignición.
- 5) Debido al tamaño y peso de esta campana de extracción, se recomienda que la instalación sea realizada por dos personas.

ADVERTENCIA



RIESGO DE ELECTROCUCIÓN – Puede resultar en lesiones serias o la muerte. Desconecte el aparato del suministro eléctrico antes de darle servicio. Si estuviera equipado con éste, el foco fluorescente, debido a que contiene pequeñas cantidades de mercurio, deberá reciclarse o desecharse según los Códigos Locales, Estatales y Federales

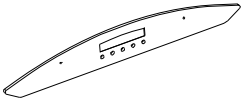
COMPONENTES DEL PAQUETE

(Debe conservar todo el material en caso de devolverlo o solicitar un reembolso)

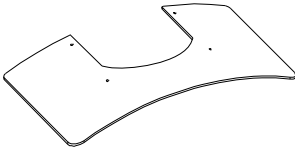
Caja de la Campana de Extracción (Caja 1 de 2)

{A} Pantalla LED y Panel de Control
{B} Toldo de Vidrio

{A}



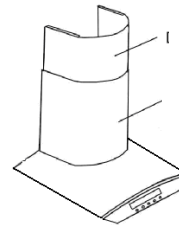
{B}



Caja 2 de 2

{C} Campana de Extracción KOBE con Cubierta de Conductos de Dos Piezas
{D} Soporte de Montaje de la Cubierta de Conductos
{E} Soporte de Montaje de la Campana
{F} Tarjeta de Registro de Garantía
{G} Manual de Instrucciones
{H} Regulador Plástico
{I} Paquete de Tornillos
{J} Sello de Goma
{K} Paquete de Tornillos del Toldo de Vidrio
{L} Recipiente para Aceite

{C}



Cubierta de Conductos Interna

Cubierta de Conductos Externa

{D}



{E}



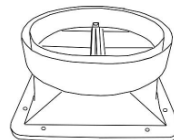
{F}



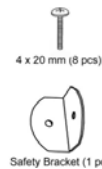
{G}



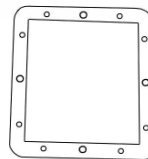
{H}



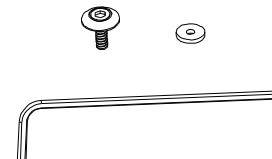
{I}



{J}



{K}



{L}



◆ PARA OBTENER MÁS INFORMACIÓN, POR FAVOR VISITE NUESTRO SITIO DE INTERNET WWW.KOBERangeHoods.COM O CONTACTE A KOBE RANGE HOODS AL (877) 289-5623.

INSTALACIÓN

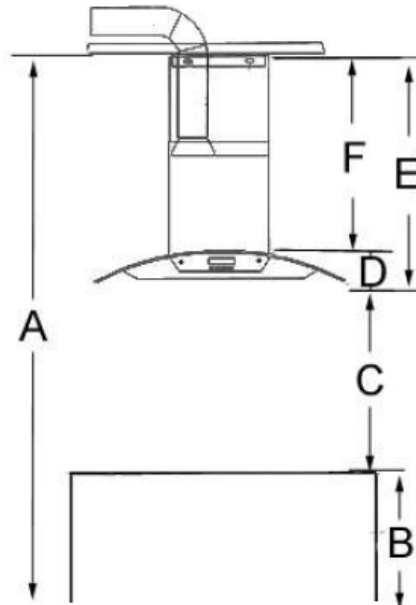
POR FAVOR, LEA LAS INSTRUCCIONES COMPLETAMENTE ANTES DE CONTINUAR

Cálculo antes de la Instalación

Para realizar el cálculo para la instalación, por favor consulte la TABLA 1. (Todos los cálculos están hechos en pulgadas).

TABLA 1

A = Altura del Piso al Techo
B = Altura del Piso a la Superficie del Mostrador
(Estándar: 36")
C = **Altura Preferida de la Superficie del Mostrador a Parte Inferior de la Campana (Se recomienda de 27" a 30")**
D = Altura de la Campana
E = Altura de la Instalación de la Campana [A – (B + C)]
F = Altura de la Cubierta de Conductos [E – D]



⚠ ADVERTENCIA DE SEGURIDAD

LA CAMPANA PODRÍA TENER EXTREMOS SUMAMENTE FILOSOS; FAVOR DE UTILIZAR GANTES PROTECTORES SI VA A RETIRAR CUALQUIER PIEZA PARA INSTALAR, LIMPIAR O DARLE SERVICIO.

NOTA: TENGA MUCHO CUIDADO AL UTILIZAR UN DESTORNILLADOR ELÉCTRICO; PODRÍA CAUSAR DAÑOS A LA CAMPANA.

Preparación antes de la Instalación

NOTA: PARA EVITAR CAUSAR DAÑOS A SU CAMPANA, EVITE QUE DESECHOS PENETREN EN LA RENDIJA DE VENTILACIÓN.

- Decida la ubicación para colocar el conducto de ventilación de la campana hacia el exterior. Refiérase a la Figura 1.
- Un ducto de escape recto y corto permitirá que la campana trabaje con más eficiencia.
- Intente evitar tantas conexiones, codos y ductos largos como sea posible. Esto podría reducir el rendimiento de la campana.
- Utilice cinta de aislar para sellar las uniones entre las secciones de los conductos.

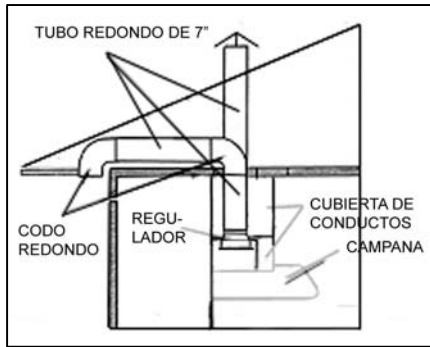


Figura 1

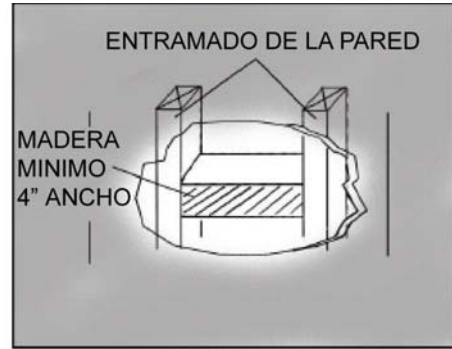


Figura 2

- Si fuera necesario, prepare un marco de madera de entramado en la pared de respaldo para una instalación segura. Utilizando las referencias en la Tabla 1 y las medidas en la pagina 65, decida el nivel de la madera. Refiérase a la Figura 2.
- Importante: retire la película protectora de la cubierta de conductos y de la campana (si hubiera alguna).

Instalacion de la Campana

PRECAUCIÓN: Si fuera necesario mover la estufa para instalar la campana, apague la electricidad en la caja eléctrica principal si es una estufa eléctrica. **APAGUE EL GAS ANTES DE MOVER UNA ESTUFA DE GAS.**

1. Retire la película protectora de la cubierta de conductos y campana, si hay alguna. Retire la cubierta de conductos (interna y externa) de la campana de extracción. Como se muestra en la Figura 3.



Figura 3

2. Alinee el toldo de vidrio con el cuerpo de la campana. Como se muestra en la Figura 4. Fije el toldo de vidrio con el cuerpo usando cuatro tornillos hexagonales y cuatro separadores (incluidos). Apriete con una llave inglesa hexagonal (incluida). Como se muestra en la Figura 5



Figura 4



Figura 5

3. Fije la pantalla LED y el panel de control con dos tornillos hexagonales y dos separadores (incluidos). Apriete con una llave inglesa hexagonal (incluida). Como se muestra en la Figura 6



Figura 6

4. Coloque el sello de goma en el área de ventilación de la campana; asegúrese que las aberturas en el sello de goma estén alineadas con las aberturas en el área de ventilación. Como se muestra en la Figura 7. Alinee el regulador de plástico en el sello de goma y adhiéralo a la campana utilizando ocho tornillos de 4x20 mm (incluidos). Refiérase a la Figura 8



Figura 7



Figura 8

5. Si fuera necesario, remueva las dos bases de goma en la parte trasera de la campana. Para una instalación más segura, KOBE recomienda que las bases de goma no se remuevan.

6. Utilizando las referencias en la Tabla 1 y las Medidas y Diagramas en la página 65, marque la línea de nivel para el soporte de montaje de la campana. Asegure el soporte de montaje de la campana a la pared con tornillos (no incluidos). Refiérase a la Figura 9.



Figura 9

7. Alinee la campana con el soporte de montaje de la campana en la pared y engánchela en su lugar como se muestra en las Figuras 10 y 11. **PRECAUCIÓN: ASEGÚRESE QUE LA CAMPANA ESTE FIJA ANTES DE SOLTARLA.**



Figura 10



Figura 11

8. Para propósitos de seguridad, instale el soporte de seguridad (incluido) con un tornillo (no incluido) en la pared como se muestra en la Figura 12.



Figura 12

Cableado Hacia la Fuente de Energía

⚠️ ADVERTENCIA DE SEGURIDAD

RIESGO DE ELECTROCUCIÓN. ESTA CAMPANA DE EXTRACCIÓN DEBE TENER UNA CONEXIÓN A TIERRA ADECUADA. ASEGÚRESE QUE ESTO SEA REALIZADO POR UN ELECTRICISTA ESPECIALIZADO DE ACUERDO CON TODOS LOS CÓDIGOS APLICABLES NACIONALES Y LOCALES DE ELECTRICIDAD. ANTES DE CONECTAR LOS CABLES, APAGUE LA ENERGÍA EN EL PANEL DE SERVICIO Y CIERRE EL PANEL DE SERVICIO PARA PREVENIR QUE LA ENERGÍA SEA ENCENDIDA ACCIDENTALMENTE.

9. Conecte tres cables (negro, blanco y verde) con los cables de la casa.
10. Conéctelos de acuerdo al color: negro con negro, blanco con blanco y verde con verde y tape con los conectores de cable.
11. Compruebe el funcionamiento de la campana antes de seguir con el siguiente paso. Asegúrese que la energía llegue a la campana.
12. Si se ventila hacia afuera, adelántese al Paso 19, Instalación de la Red de Conductos.

Conversión Recirculante

Requiere la Compra del Paquete de Recirculación Modelo No. RD-0183.

13. Para la instalación para recirculación, reemplace el soporte de la cubierta de conductos con la Caja-T. Utilizando las referencias en la Tabla 1 y las Medidas y Diagramas en la página 65 para marcar la línea de nivel para la Caja-T. Asegure a la pared la Caja-T con tres tornillos (no incluidos). Utilice cinta de aislar para sellar las uniones del regulador plástico con la Caja-T. (La Cubierta de Conductos de Recirculación se enganchará a la Caja-T.) Refiérase a la Figura 13.



Figura 13

14. Mida la distancia desde la parte de arriba del regulador hacia el techo y prepare un conducto redondo de metal de 7" con 4" menos de largo que la distancia medida.
15. Utilice el conducto redondo de metal preparado de 7" para conectar la Caja-T con el regulador plástico. Utilice cinta de aislar para que todas las uniones queden seguras y herméticas. Asegúrese que el tubo esté en la ranura del regulador plástico. Refiérase a la Figura 14.
16. Remueva los filtros de acero inoxidable e instale los filtros de carbón. (Refiérase a la Figura 20).
17. Coloque nuevamente los filtros de acero inoxidable.
18. Avance al Paso 21, Instalación de la Cubierta de Conductos

Instalación de la Red de Conductos

19. Utilice un tubo redondo de aluminio o acero de 7" para conectar el regulador plástico en la campana a la red de conductos de arriba.
20. Utilice cinta de aislar para hacer que todas las uniones queden seguras y herméticas. Asegúrese que el tubo quede en la ranura del amortiguador plástico. Refiérase a la Figura 14.

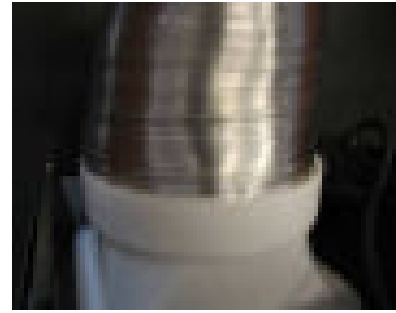


Figura 14

Instalación de la Cubierta de Conductos

21. (OMITA EL PASO 22 Y 23 SI ESTÁ UTILIZANDO EL PAQUETE DE RECIRCULACIÓN. NO NECESITARÁ EL SOPORTE DE MONTAJE DE LA CUBIERTA DE CONDUCTOS.) Utilizando las referencias en la Tabla 1 y las medidas en la página 65, marque el punto de nivel para el soporte de montaje de la cubierta de conductos.
22. Asegure el soporte de montaje de la cubierta de conductos a la pared con dos tornillos (no incluidos). Refiérase a la Figura 15. Asegúrese que todos los tornillos sean apretados.
23. Enganche la cubierta de conductos interna con el soporte de montaje de la cubierta de conductos y suelte la cubierta de conductos externa para que se ajuste a la campana como se muestra en las Figuras 15 y 16.



Figura 15

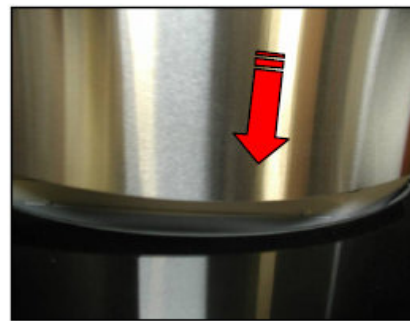


Figura 16

Ensamblado Final

24. Gire el recipiente para aceite en dirección de las agujas del reloj para instalarlo. Se muestra en la Figura 17.
25. ENCIENDA la unidad en el panel de control. Verifique el funcionamiento de todas las luces y el ventilador.
26. Asegúrese de dejar este manual para el propietario de la casa.



Figura 17

INSTRUCCIONES DE OPERACIÓN

Esta campana KOBE está equipada con cinco controles electrónicos con pantalla LED, una poderosa jaula de ardilla centrífuga con dos filtros de acero inoxidable, dos brillantes focos de halógeno de 12-voltios 20-watios y un recipiente para aceite.

Los cinco botones de control son Control de Energía (Encendido/Apagado), Control Automático, Control de Velocidad (Velocidad Baja y Alta), Control de Luz y Control de Temporizador. Refiérase a la Figura 18.

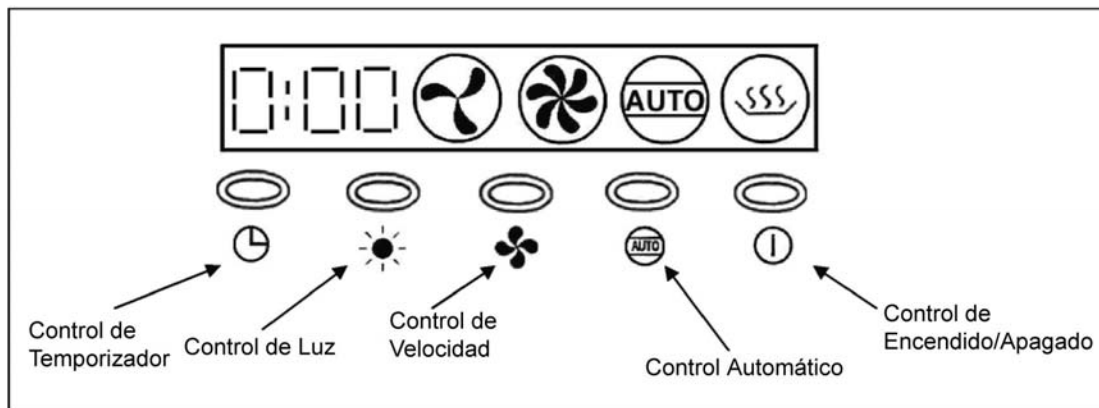
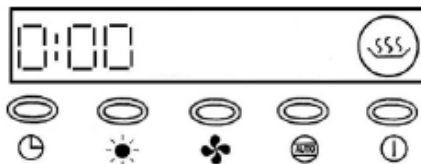


Figura 18

Control de Encendido/Apagado

Presione el Control de Encendido/Apagado para Encender/Apagar la campana.

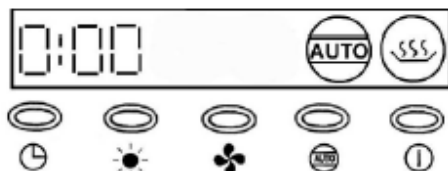
Pantalla:



Control Automático

Presione el Control Automático para configurar la campana en sensor automático. Cuando se detecte humo, gas o temperatura variable*, la campana automáticamente se enciende en la configuración de la velocidad anterior. (*La temperatura: Más alta que la temperatura normal de la habitación).

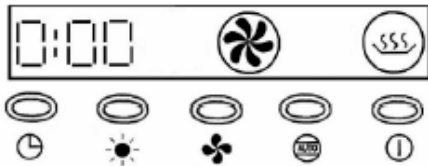
Pantalla:



Control de Velocidad

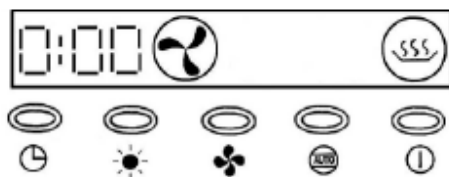
Presione una vez para que la velocidad Alta inicie.

Pantalla:



Presione dos veces para que la velocidad Baja inicie.

Pantalla:



Control de Luz

Presione el Control de Luz para encender los dos focos de halógeno.

Control del Temporizador

Presione el Control del Temporizador para iniciar el cronómetro. Cuando se presione el Control del Temporizador, el ventilador automáticamente se apagará después del tiempo configurado. El cronómetro varía entre 1 minuto a 99 minutos.

Para reiniciar el cronómetro, presione el Control de Energía para APAGARLO; y luego presione el Control de Energía para ENCENDERLO de nuevo.

MANTENIMIENTO

⚠ADVERTENCIA DE SEGURIDAD

NUNCA PONGA SU MANO DENTRO DEL ÁREA QUE ALBERGA EL VENTILADOR MIENTRAS ÉSTE ESTÉ OPERANDO.

Limpiando la Superficie de la Campana

⚠PRECAUCIÓN: NUNCA UTILICE LIMPIADORES, ALMOHADILLAS, PAÑOS ABRASIVOS. NO UTILICE TOALLAS DE PAPEL SOBRE EL ACERO INOXIDABLE.

Para un funcionamiento óptimo, limpie la campana de extracción y todos los deflectores/separadores/filtros/conductos de aceite/recipientes para aceite con regularidad.

*** El cuidado regular ayudará a preservar la apariencia de la campana.

1. Utilice solamente jabón o soluciones detergentes suaves. Seque las superficies utilizando un paño suave.
2. Si la campana se ve manchada (campana de acero inoxidable), utilice un limpiador para acero inoxidable para limpiar la superficie de la campana. Evite que la solución de limpieza caiga sobre o en el panel de control. Siga las instrucciones del limpiador de acero inoxidable. **Precaución: No lo deje por mucho tiempo pues podría dañar el acabado de la campana.** Utilice una toalla suave para limpiar la solución de limpieza y frote cuidadosamente cualquier área difícil de limpiar. Utilice una toalla suave y seca para secar la campana.
3. NO permita que depósitos se acumulen o permanezcan sobre la campana.
4. NO utilice lana de acero o cepillos de acero ordinarios. Pequeños pedazos de acero podrían adherirse a la superficie y causar óxido.
5. NO permita que soluciones de sal, desinfectantes, blanqueadores o compuestos de limpieza permanezcan en contacto con el acero inoxidable por periodos de tiempo prolongados. Muchos de estos compuestos contienen químicos, que podrían ser perjudiciales. Enjuague con agua después del contacto y seque con un paño limpio libre de pelusas.

Para Limpiar Filtros de Acero Inoxidable / Recipientes para Aceite

PRECAUCIÓN: DRENE EL RECIPIENTE PARA ACEITE ANTES QUE EL ACEITE PUEDA DERRAMARSE.

- 1) El recipiente para aceite ubicado debajo del filtro de acero inoxidable puede ser removido girándolo en dirección en contra de las agujas del reloj.
- 2) Para limpiar el filtro de acero inoxidable, remueva los tornillos (déjelos en un lugar seguro) y deslice el filtro de acero inoxidable hacia afuera.
- 3) Tanto el recipiente para aceite como el filtro de acero inoxidable deben ser lavados con agua tibia espumosa y secarse bien antes de regresarlos a su lugar. Ambos se pueden lavar en la parte alta del lavaplatos eléctrico.

Para Limpiar el Filtro de Carbón (Paquete de Recirculación Opcional)

- 1) Gire el recipiente para aceite en dirección en contra de las agujas del reloj. Como se muestra en la Figura 18.
- 2) Utilice un desarmador Philips para sacar los tornillos (2 piezas). Como se muestra en la Figura 19.

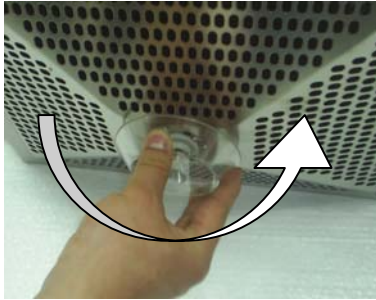


Figura 18



Figura 19

- 3) Remueva el filtro de carbón de los dos filtros de acero inoxidable. Como se muestra en la Figura 20.
- 4) Coloque el filtro de carbón en agua tibia con detergente neutro y limpie minuciosamente. Seque y vuelva a colocar.
- 5) Reinstale el filtro de carbón y los filtros de acero inoxidable.

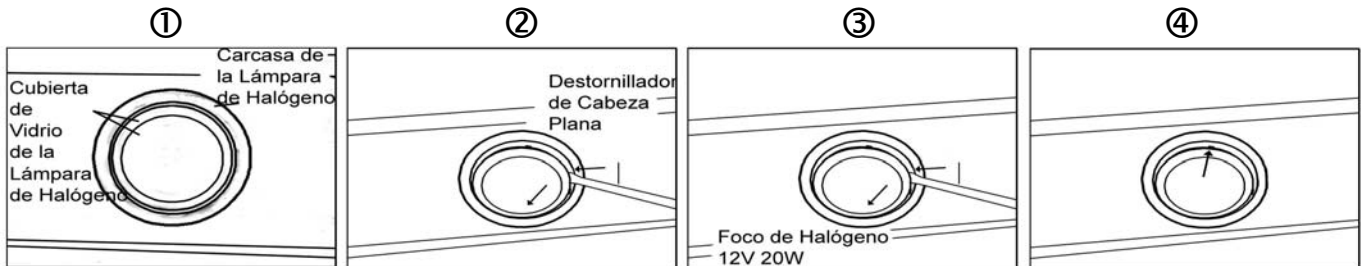


Figura 20

Para Reemplazar el Foco

PRECAUCIÓN: ¡LA UNIDAD DE LA LÁMPARA DE HALÓGENO PODRÍA ESTAR CALIENTE! ESPERE HASTA QUE SE ENFRÍE

NOTA: NO TOQUE LA LÁMPARA DE HALÓGENO CON LAS MANOS DESPROTEGIDAS, PUES PODRÍA CAUSAR SOBRECALENTAMIENTO Y REDUCIR EL TIEMPO DE VIDA DE LOS FOCOS.



1. Asegúrese que todos los controles se encuentren APAGADOS y que la campana de extracción se encuentre desconectada.
2. Coloque el destornillador de cabeza plana en la ranura localizada entre la cubierta de vidrio de los focos de halógeno y la carcasa(1).
3. Retire cuidadosamente la cubierta de vidrio de la carcasa.(2).
4. Hale suavemente el foco insertable (3) y deséchelo. Los focos deberán ser de 12V 20W como máximo.
5. Utilice un guante o un paño para sujetar el nuevo foco y empújelo para colocarlo en el receptáculo para focos. NOTA: NO LO EMPUJE DEMASIADO FUERTE PUES PODRÍA QUEBRAR EL CONECTOR PARA FOCO.
6. Coloque nuevamente la cubierta de vidrio de los focos de halógeno(4).
7. Enchufe nuevamente el cable de corriente y encienda la campana de extracción para verificar su funcionamiento.

ESPECIFICACIONES

MODELO / TAMAÑO	CX1830GS-8 / 30"	
	CX1836GS-8 / 36"	
	CX1842GS-8 / 42"	
COLOR	Acero Inoxidable de Clasificación Comercial	
CONSUMO	189.4W / 1.57A (Vatios / Amperaje)	
VOLTAJE	120V 60Hz	
NUMERO DE MOTORES	1	
DISEÑO	Calibre 18	
TIPO DE VENTILADOR: CENTRÍFUGO	Jaula de Ardilla Horizontal Doble	
ESCAPE	Redondo de 7" con Regulador	
CONTROLES	Botón Electrónico (5 botones) - Control de Energía , Control Automático, Control de Velocidad (Velocidad Baja y Alta) Control de Luz, y Control de Temporizador	
FOCOS DE HALÓGENO	12V 20W x 2	
DIMENSIÓN DE LA CAMPANA (ANCHO xPROFUNDIDADxALTO)	(Modelo No.: CX1830GS-8) 29-1/2" x 19-3/4" x 3"	
	(Modelo No.: CX1836GS-8) 35-1/2" x 19-3/4" x 4-1/2"	
	(Modelo No.: CX1842GS-8) 41-7/8" x 19-3/4" x 6-1/2"	
CUBIERTA DE CONDUCTOS / DIMENSIÓN DEL VENTILADOR (ANCHO xPROFUNDIDAD xALTO)	(Modelo No.: CX183-8S) 14-7/8" x 13" x (15-3/4" ~ 37")	
ACCESORIOS OPCIONALES (ANCHO xPROFUNDIDAD xALTO)	5) Extensión de la Cubierta de Conductos Interna de 21" (Modelo No.: CX183-21DC) 14-1/8" x 13" x 15-3/4" x 37"	
	6) Panel Posterior de Acero Inoxidable de 30" (Modelo No.: SSP30) 30" x 1/10" x 32"	
	7) Panel Posterior de Acero Inoxidable de 36" (Modelo No.: SSP36) 36" x 1/10" x 32"	
	8) Paquete de Recirculación (Modelo No.: RD-0183)	
PESO (lbs)	<u>NETO</u>	<u>BRUTO</u>
	CX1830GS-8	9
	CX1836GS-8	14
	CX1842GS-8	16
	CX183-8S	35
		14
		18
		22
		46
VELOCIDAD	BAJA	ALTA
CAPACIDAD DE AIRE (CFM)	400	600
SONIO*	1.3	2.8

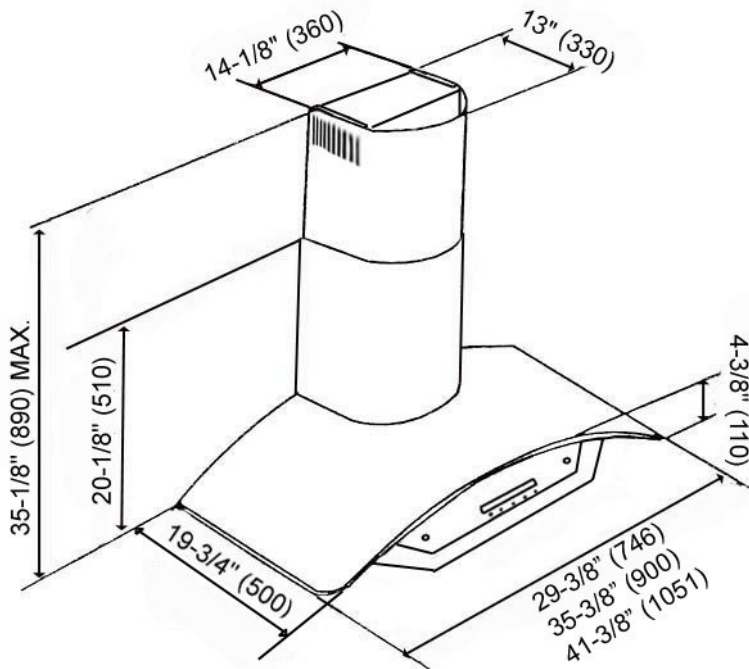
* Un sonio es equivalente al sonido de un refrigerador de 40 decibeles.

**Las especificaciones están sujetas a cambio sin previo aviso.

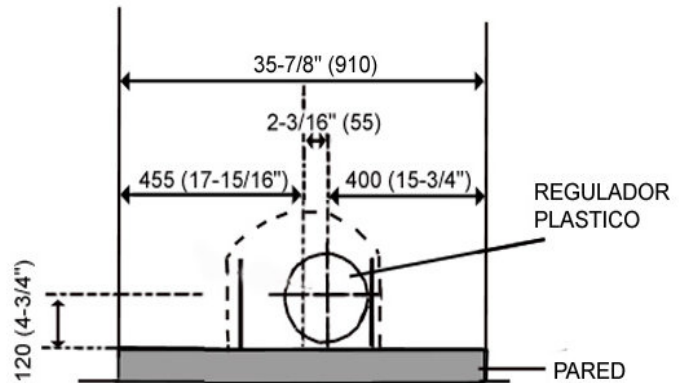
MEDIDAS Y DIAGRAMAS

***Todas las medidas () están en milímetros.

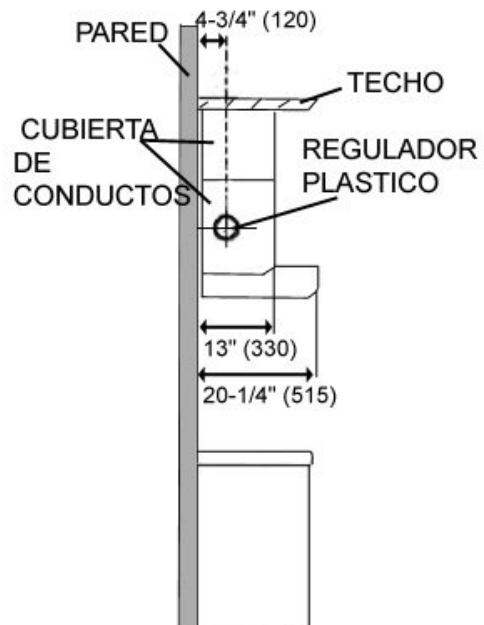
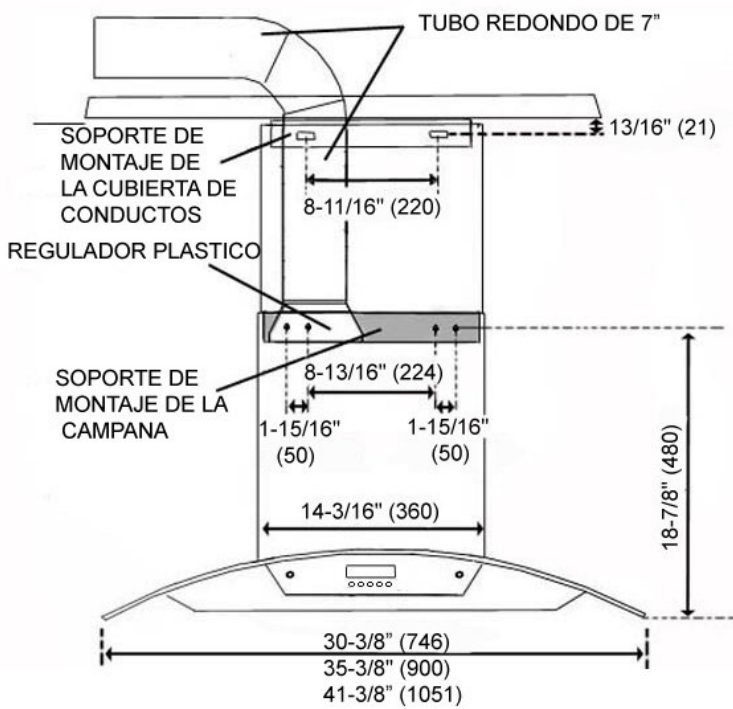
***Todas las medidas en pulgadas han sido convertidas de milímetros. Las medidas en pulgadas son medidas aproximadas.



***VISTA DE ABAJO HACIA ARRIBA



**VISTA DESDE EL LADO



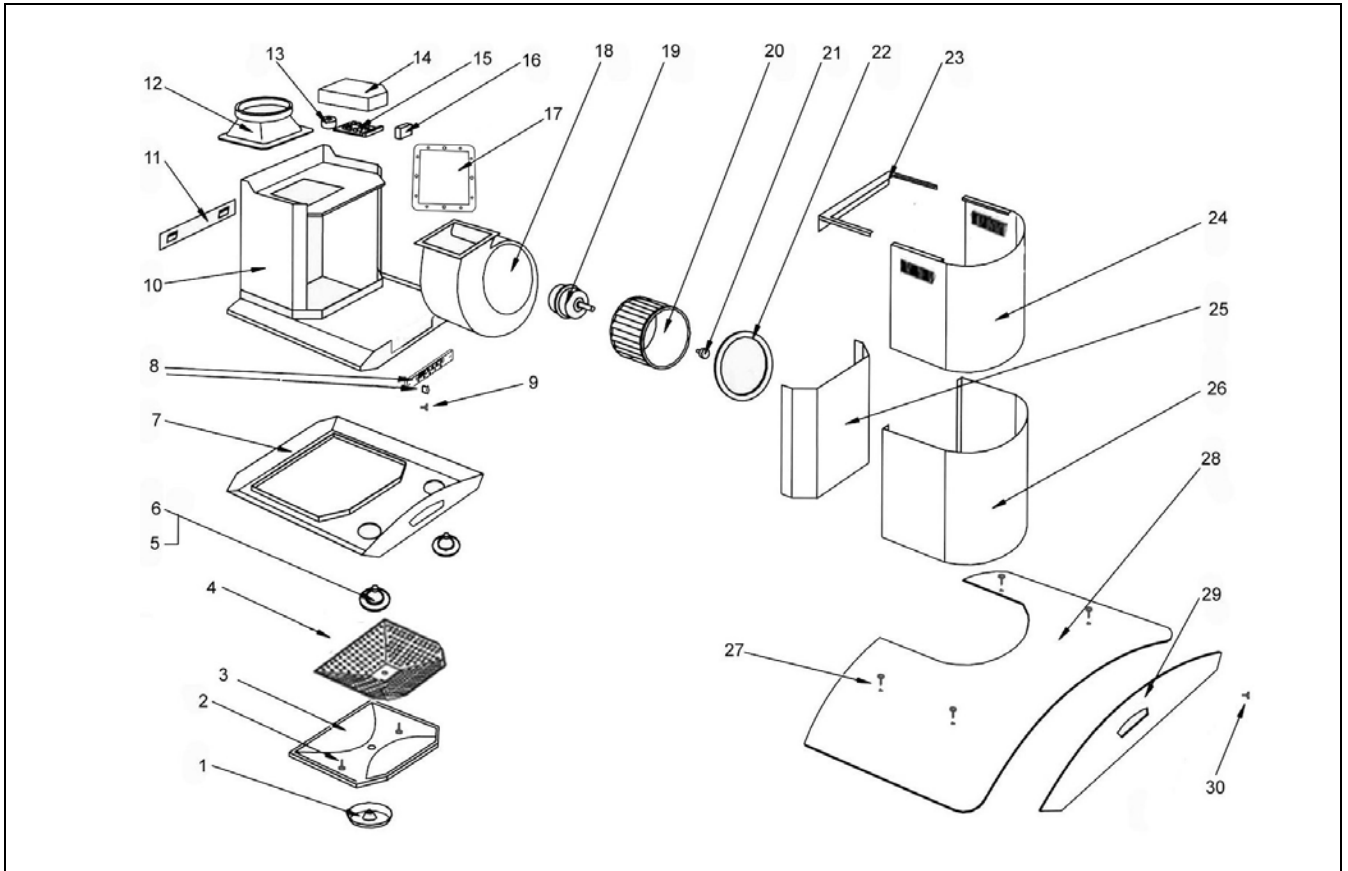
LISTADO DE PIEZAS

MODELO NO.: **CX1830GS-8**
 CX1836GS-8
 CX1842GS-8

NO.	DESCRIPCIÓN	MODELO /TAMAÑO	PIEZA NO.
1	Recipiente para Aceite (Redondo)		1-HAN-M001
2	Tornillo para Filtro de Acero Inoxidable		FT-S-1
3	Filtro de Acero Inoxidable		1-FBL-A009
4	Filtro de Malla de Acero Inoxidable		1-HGF-A100
5	Soporte del Foco de Halógeno		1-FAV-J703
6	Lámpara de Halógeno (12V 20W Max.)		1-FAV-ZJ01
7	Carcasa Inferior		1-FAZ-A001
8	Panel de Control Botón de Control		1-HDC-G100, 1-FAZ-J100
9	Tornillo de la Caja de Control		FT-S-2
10	Carcasa de la Campana		1-FAZ-A100
11	Soporte de Montaje de la Campana		1-FAZ-M002
12	Regulador Plástico		1-FAV-M011
13	Transformador		1-HAN-J101
14	Caja de Cables Eléctricos		1-FAV-G001
15	Panel del Procesador		1-FAX-G100
16	Condensador		1-HAN-G001
17	Sello de Goma		1-FAV-M005
18	Cámara de Aire		1-FAV-F160
19	Motor		1-HAN-F110
20	Ventilador		1-FAV-F170
21	Tuerca		1-FAA-F205
22	Cubierta del Ventilador		1-FAV-F120
23	Soporte de Montaje de la Cubierta de Conductos		1-FAV-M020
24	Cubierta de Conductos Interna		1-HJS-M001
25	Cubierta de la Cámara de Aire		1-FAV-A006
26	Cubierta de Conductos Externa		1-HJS-A100
27	Tornillo del Toldo de Vidrio		FT-S-4
28	Toldo de Vidrio	30"	CX183-30G
		36"	CX183-36G
		42"	CX183-42G
29	Pantalla LED		1-FAZ-A002
30	Tornillo del Panel de Control		FT-S-3

PAQUETE DE RECIRCULACIÓN (Opcional) Modelo No.: RD-0183			
NO.	DESCRIPCIÓN	MODELO/TAMAÑO	PIEZA NO.
31	Caja-T		1-HGF-M100
32	Marco del Filtro de Carbón		1-HGF-A100
33	Filtro de Carbón		1-HJT-F101

**MODELO NO.: CX1830GS-8
CX1836GS-8
CX1842GS-8**



**PAQUETE DE RECIRCULACIÓN (OPCIONAL)
Modelo No.: RD-0183**

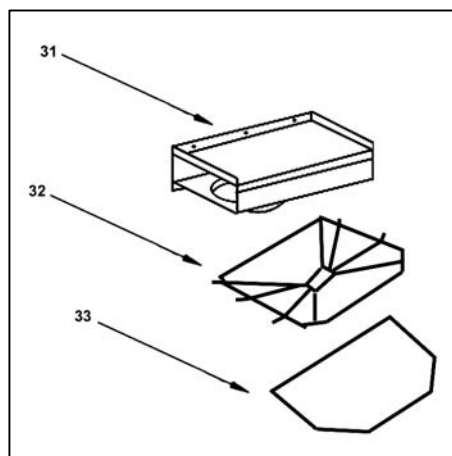
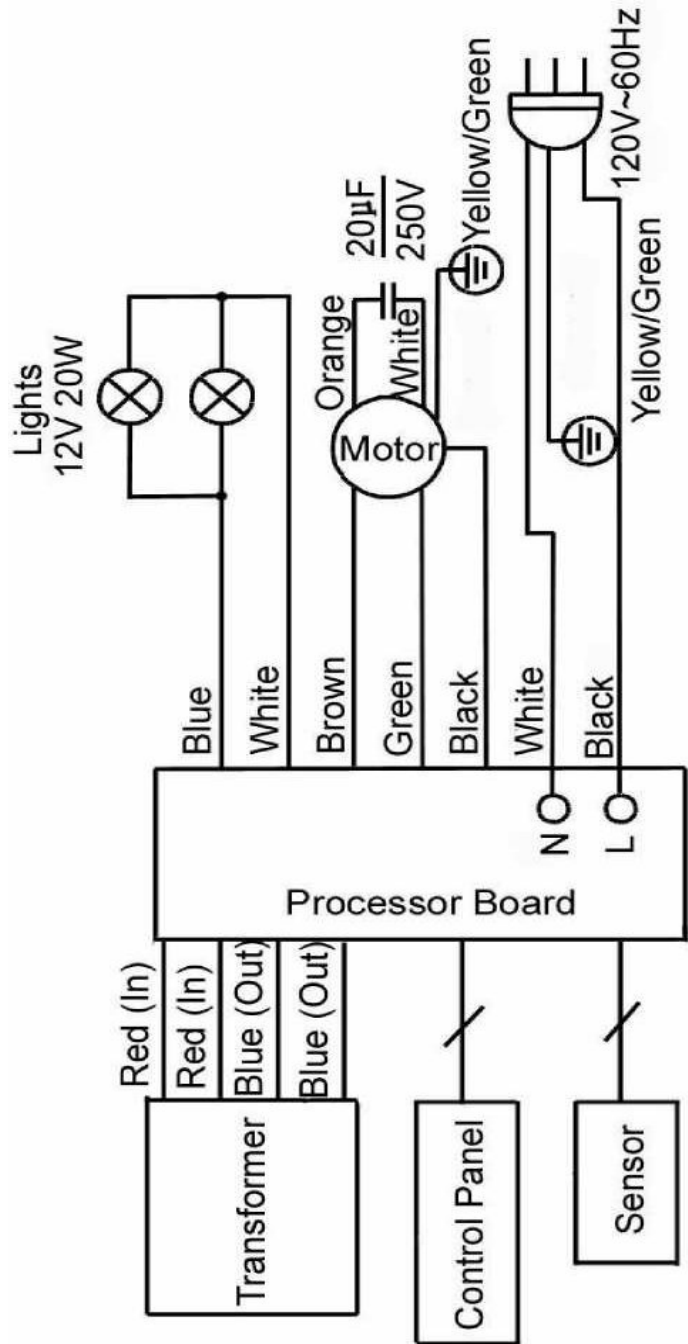


DIAGRAMA DE CIRCUITO

MODELO NO.: CX1830GS-8
 CX1836GS-8
 CX1842GS-8



Red=Rojo Blue=Azul
 White=Blanco Green=Verde
 Black=Negro Orange=Naranja

Transformer = Transofrmador
 (In) = Entrada
 (Out) = Salida
 Control Panel = Panel de Control

INSTRUCCIONES IMPORTANTES DE SEGURIDAD

Problema	Posible Causa	Solución
Después de la Instalación, ninguno de los motores ni las luces están funcionando.	No está encendido.	Asegúrese que el interruptor de circuitos y la unidad se encuentren encendidos. Utilice un medidor de voltaje para verificar la energía de entrada.
	La conexión de cables no está bien sujeta.	Verifique y ajuste la conexión de cables.
	El cableado del panel de control y la placa de procesador está desconectado.	Verifique la continuidad del cable desde el panel de control hasta la placa de procesador.
	El transformador del motor está defectuoso.	Verifique la entrada y salida de la corriente el transformador del motor. De ser necesario, reemplace el transformador del motor.
	El panel de control y la placa de procesador están defectuosos.	Reemplace el panel de control o la placa de procesador.
Las luces están funcionando pero el(los) motor(es) no.	El/los motor(es) está(n) defectuoso(s).	Reemplace el motor.
	El/los condensador(es) está(n) defectuoso(s).	Reemplace el(los) condensador(es).
	El panel de control o la placa de procesador están defectuosos.	Reemplace el panel de control o la placa de procesador.
La campana de extracción está vibrando.	El sistema de ventilador no está bien sujeto.	Tighten the turbine impeller/squirrel cage and air chamber.
	El impulsor de turbina/jaula de ardilla no está balanceado.	Ajuste el impulsor de turbina/jaula de ardilla y la cámara de aire.
	La campana no está bien sujeta en su lugar	Verifique la instalación de la campana, ajuste el soporte de montaje.
El motor está funcionando pero las luces no.	El(los) foco(s) de la Lámpara de Halógeno está(n) defectuoso(s).	Intente colocar el foco que le está dando problemas en otro receptáculo que funcione, si aún así éste no funciona, reemplace el foco de halógeno.
	El cableado de la luz está flojo.	Verifique la continuidad del cable desde la placa de procesador al transformador de la luz hasta la caja de la lámpara de halógeno.
	El transformador de la luz está defectuoso.	Verifique la entrada y salida de la corriente en el transformador de la luz. De ser necesario, reemplace el transformador de la luz.
	El panel de control o la placa de procesador están defectuosos.	Reemplace el panel de control o la placa de procesador.
La campana de extracción no está ventilando correctamente.	La campana de extracción no se encuentra instalada en el espacio recomendando por el fabricante.	Ajuste el espacio entre la campana y la parte superior de la estufa a 27" a 30". Para la campana de cocina de isla, el espacio entre la campana y la parte superior de la estufa deberá ser de 30" a 36"
	No hay aire de reposición en la casa.	Abra la ventana para optimizar el rendimiento de la campana de extracción creando suficiente aire de reposición.
	Una obstrucción bloquea la red de conductos.	Remueva todas las obstrucciones de la red de conductos.
	El tamaño del tubo es más pequeño que el tubo recomendado.	Cambie los tubos de acuerdo con la recomendación del fabricante.
Aire frío entra en la casa	La conexión de los conductos no está sellada correctamente.	Verifique la instalación de los tubos
	El regulador no está instalado adecuadamente o no ha sido instalado.	Verifique la instalación del regulador.
	El regulador no está instalado.	Instalar el regulador le ayudará a eliminar el reflujo de aire.

CLÁUSULA DE EXENCIÓN

1. **INSPECCIONE CUIDADOSAMENTE TODOS LOS ARTÍCULOS VERIFICANDO QUE NO EXISTAN DAÑOS ANTES DE ACEPTAR LA ENTREGA. PIDA EL NOMBRE Y FIRMA DEL AGENTE DE TRANSPORTE Y CONSERVE UNA COPIA PARA RESPALDAR SU RECLAMO.**
Al momento de aceptar los artículos, el propietario asume la responsabilidad de que lleguen de manera segura. Reporte los daños al transportista y presente un reclamo inmediatamente. El no hacerlo podría resultar en un rechazo de su reclamo. El transportista le entregará los formularios necesarios para presentar un reclamo. **LOS DAÑOS CAUSADOS DURANTE EL TRANSPORTE NO SE ENCUENTRAN CUBIERTOS BAJO NUESTRA GARANTÍA.**
2. **POR FAVOR, ¡INSPECCIONE LOS CONTENIDOS DEL PAQUETE(S) CUIDADOSAMENTE AL RECIBIRLOS!**
Se nos deberá notificar por escrito sobre cualquier daño y/o piezas faltantes dentro del periodo de días establecidos luego de haber recibido su paquete(s). Contacte a su distribuidor o concesionario KOBE o llame a KOBE para obtener información sobre el límite de tiempo. **LOS RECLAMOS NO SERÁN ACEPTADOS DESPUÉS DEL PERIODO DE DÍAS ESTABLECIDOS.** NOTA: LOS ARTÍCULOS FUERON SOMETIDOS A PRUEBAS Y EMPACADOS CUIDADOSAMENTE EN NUESTRA FABRICA ANTES DE SU ENVÍO.
3. Los productos deberán ser devueltos en buen funcionamiento con TODAS las piezas y documentación originales empacados en TODOS los cartones, rellenos y cajas de envío originales. Se cobrará una tarifa por reposición de existencias del 25% para todas las devoluciones aprobadas. **LOS CAMBIOS O DEVOLUCIONES PODRÍAN NO ACEPTARSE SI FALTARA ALGÚN MATERIAL DE EMPAQUE.**
4. **ASEGÚRESE DE INSPECCIONAR LA CAMPANA VERIFICANDO QUE NO EXISTAN DAÑOS O DEFECTOS ANTES DE INSTALARLA.** Las imperfecciones en la apariencia de la campana que se encuentren después de que ésta haya sido instalada y que no afecten el rendimiento de la misma, no se encuentran cubiertas bajo nuestra garantía sobre devoluciones o cambios. Las visitas de servicio que no se encuentran cubiertas bajo la garantía incurrirán un cargo por servicio.
 - A) Antes de la Instalación: Envíe de vuelta para cambio o reembolso (por favor consultar lo anterior para averiguar sobre las devoluciones aceptadas).
 - B) Después de la Instalación: **NO** habrá ningún cambio ni reembolso.

GARANTÍA

CERTIFICADO DE GARANTÍA

KOBE Range Hoods, Inc. garantiza que todos los productos fabricados o proporcionados por la compañía se encontrarán libres de defectos en cuanto a mano de obra y materiales. Sus obligaciones según esta garantía se encuentran limitadas a un periodo de dos años a partir de la fecha de compra y a reparar o reemplazar a su elección y sujeto a los términos y condiciones establecidas a continuación, cualquier pieza, que luego de ser examinada demuestre que estaba defectuosa.

PERIODO DE SERVICIO DE LA GARANTÍA DE DOS AÑOS

Cualquier avería cubierta que ocurra dentro de un periodo de dos años a partir de la fecha de compra original que surja a causa de mano de obra o material defectuoso de fábrica será reparada (o reemplazada a nuestra discreción) sin costo alguno por parte de un Agente autorizado de KOBE Range Hoods o KOBE Range Hoods según corresponda. Tenga a la mano un comprobante de compra (o la factura original) para su verificación.

Si la campana de extracción ha sido vendida por el comprador original durante el periodo de garantía, el nuevo propietario estará protegido hasta que la garantía del comprador original se venza.

CONDICIONES

Las siguientes condiciones aplican solamente en relación a la garantía otorgada explícitamente por este certificado.

- 1) Esta garantía aplica solamente:
 - a) Dentro de EE.UU. y Canadá.
 - b) A las campanas de extracción de USO UNIFAMILIAR PRIVADO (si han sido utilizadas COMERCIALMENTE o USO MULTIFAMILIAR u otros propósitos, la garantía se anulará).
- 2) La reparación de cualquier avería a proporcionarse bajo esta garantía no se proporcionará:
 - a) si el número de identificación colocado en la campana de extracción ha sido alterado, se considera ilegible o ha sido removido;
 - b) si no se ha presentado una notificación del defecto dentro del periodo de tiempo correspondiente;
 - c) fallo de los focos de la luz o lámparas de calor;
 - d) por daños físicos;
 - e) por superficies dañadas por la utilización de agentes de limpieza químicos no adecuados;
 - f) si el aparato ha:
 - i) estado sujeto a uso inadecuado, abuso, negligencia, accidentes, instalación incorrecta o el no seguir las instrucciones de operación;
 - ii) sido conectado a fuentes eléctricas, conductos de extracción, tubos o cubierta de conductos inadecuados, incorrectos o defectuosos, u operado utilizando lubricantes contaminados o incorrectos;
 - iii) sido instalado, mantenido u operado de manera distinta a lo que se ha estipulado en las instrucciones proporcionadas por KOBE Range Hoods incluyendo el uso inadecuado de detergentes, blanqueadores o limpiadores.
 - g) por daños causados a la campana de extracción durante su transporte, entrega, instalación o al quitarla;
 - h) por daños causados por o que resulten de reparaciones conducidas por cualquier otra persona que no sea nuestro Agente de Servicio Autorizado.

- i) ruido o vibración causada por una instalación incorrecta de la campana de extracción y/o el regulador.
- 3) El comprador será el responsable por cualquier gasto relacionado a hacer que la campana de extracción se encuentre preparada para que se le dé servicio y también cuando la campana de extracción se encuentre instalada fuera del territorio de venta principal del minorista o el territorio de servicio del Agente autorizado de KOBE Range Hoods más cercano según corresponda, por cualquier gasto de viaje y cualquier costo de transporte de la campana de extracción y piezas desde y hacia el concesionario y Agente de Servicio.
- 4) El comprador deberá proporcionar un comprobante de compra junto con este certificado de garantía al presentar un reclamo.
- 5) Los daños causados durante el envío no se encuentran cubiertos bajo nuestra garantía.

DAÑOS EMERGENTES

El garante no se hace responsable por ningún daño emergente. ALGUNOS ESTADOS NO PERMITEN LA EXCLUSIÓN DE DAÑOS EMERGENTES ASÍ QUE LA EXCLUSIÓN ANTERIOR PODRÍA NO CORRESPONDERLE.

GARANTÍAS IMPLÍCITAS/LEY ESTATAL

Cualquier garantía implícita, incluyendo la garantía implícita de comerciabilidad y adecuación al objetivo, impuestas al momento de la venta por las leyes del estado de venta se encuentran limitadas a dos años a partir de la fecha original de compra. Algunos estados no permiten límites en cuanto a la duración de las garantías implícitas. Esta garantía le otorga derechos legales específicos y podría también incluir derechos, que varían de estado en estado.

SERVICIO

Para servicio contacte a:

KOBE Range Hoods
11775 Clark Street
Arcadia, CA 91006
U.S.A
Tel: (877) 289-5623
Correo electrónico:
Sitio de Internet:

customer.service@KOBERangeHoods.com
www.KOBERangeHoods.com

REGISTRO DEL PRODUCTO

¡Registre su Producto!

Cualquier avería cubierta que ocurra dentro de un periodo de dos años a partir de la fecha de compra original que surja a causa de mano de obra o material defectuoso de fábrica será reparada, o a nuestra discreción, la unidad será reemplazada sin costo alguno por parte de un Agente autorizado de KOBE Range Hoods o KOBE Range Hoods según corresponda. Tenga a la mano un comprobante de compra (factura original) para su verificación.

Si la campana de extracción ha sido vendida por el comprador original durante el periodo de garantía, el nuevo propietario estará protegido hasta que la garantía del comprador original se venza. Consulte la sección de la garantía para obtener la información completa sobre la cobertura de la garantía.

Este aparato ha sido fabricado, sometido a pruebas e inspeccionado según los estándares requeridos por KOBE Range Hoods.

POR FAVOR, ENVÍE POR CORREO SU TARJETA DE REGISTRO DE GARANTÍA Y EL COMPROBANTE DE COMPRA A:

KOBE Range Hoods
11775 Clark Street
Arcadia, CA 91006, U.S.A.

ESCRIBA LA SIGUIENTE INFORMACIÓN PARA SUS ARCHIVOS:

Modelo No. _____

No. de Serie _____

Fecha de Compra ____ / ____ / ____

Comprado En:

IMPORTANTE: **POR FAVOR, TENGA A LA MANO UNA COPIA DE SU RECIBO DE VENTA O FACTURA AL SOLICITAR SERVICIO.**

KOBE[®]

KOBE Range Hoods
11775 Clark Street
Arcadia, CA 91006

<http://www.KOBERangeHoods.com>

Esta campana de extracción KOBE ha sido fabricada para ser utilizada únicamente en EE.UU. y CANADÁ. No recomendamos la utilización de esta campana en el extranjero debido a que la fuente de energía podría no ser compatible y podría violar el código eléctrico de dicho país. **Utilizar una campana KOBE en el extranjero será a su propio riesgo y anulará la garantía.**

Information subject to change without notice.

VER.091208