



12,000lb Electric Winch

CT12KWNCHXA

USER MANUAL



Before Use

Thank you for purchasing the Certa 12,000lbs electric winch. Please read this manual before installing and using.

General Description

Each winch is equipped with a series wound motor and is designed for intermittent duty general use. Please note that your winch is not designed to be used for industrial or hoisting applications and the warranty does not cover such use. The free spool clutch is operated by a sliding ring gear winch that disengages the gear box to allow the synthetic rope to be pulled out without using electric power. Two suspension bars can reduce backlash and snarling when pulling out the synthetic rope.

Safety Precautions

Warning! Observe all proper safety precautions for personal safety and the safety of others. Improper equipment operation may cause personal injury and equipment damage.

Read the following carefully before attempting to operate your winch, and keep a copy of these instructions handy for future reference.

- **Dress properly**

Do not wear loose jewellery or clothing, as they can get caught in moving parts. Wear leather gloves when handling the winch cable. Do not handle the cable with bare hands, as broken wires can cause injuries. Non-slip footwear is recommended, and wear a protective hair covering to contain long hair.

- **Keep a safe distance**

Ensure that all persons stand well clear of the winch cable and load during the winch operation. A distance of 1.5 times the cable length is recommended. If a cable pulls loose or breaks under load, it can lash back and cause serious personal injury or death. Don't step over the cable. All visitors and onlookers should be kept away from the work area. Keep proper footing and balance at all times.

- **Don't abuse the cord**

Never carry your winch by the cord or yank on it to disconnect the plug from the socket. Keep the cord away from heat, oil and sharp edges.

- **Don't overwork the Winch**

If the motor becomes uncomfortably hot to touch, stop and let it cool down. Don't maintain power to the winch if the motor stalls. Don't exceed the maximum line pull ratings shown in the tables. Shock loads must exceed these ratings.

- **Avoid unintentional starting**

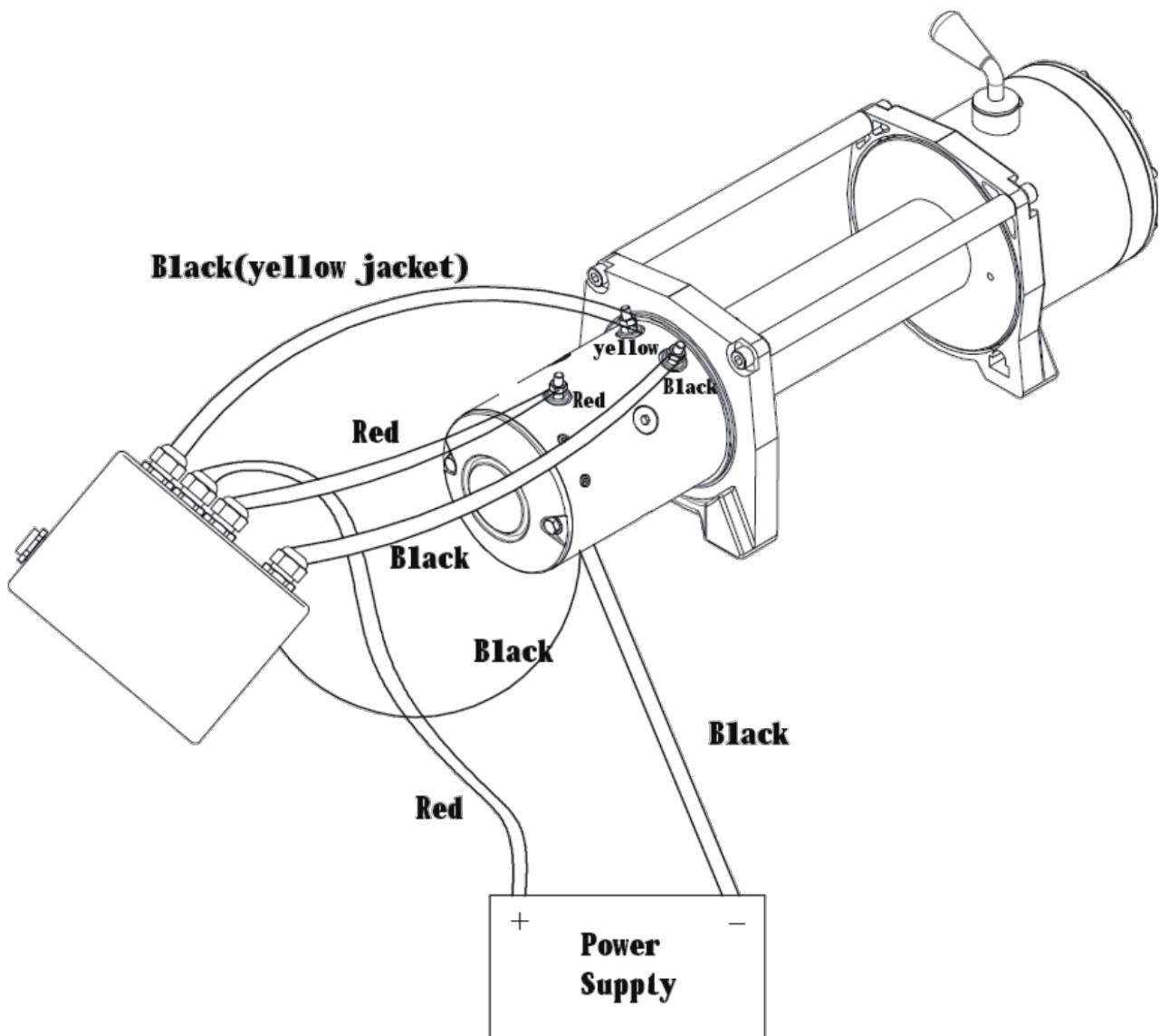
Winch clutch should be disengaged when not in use, and fully engaged when in use.

- **Check damaged parts**

Before using the winch, you should check your winch and its spare parts carefully. Any part that is damaged should be properly repaired or replaced by the Kogan service technicians.

Note: all safety precautions and instructions discussed in the manual cannot cover all possible conditions and situations that may occur. Use common sense when working with the winch!

Overview of the Winch



Features and Specifications

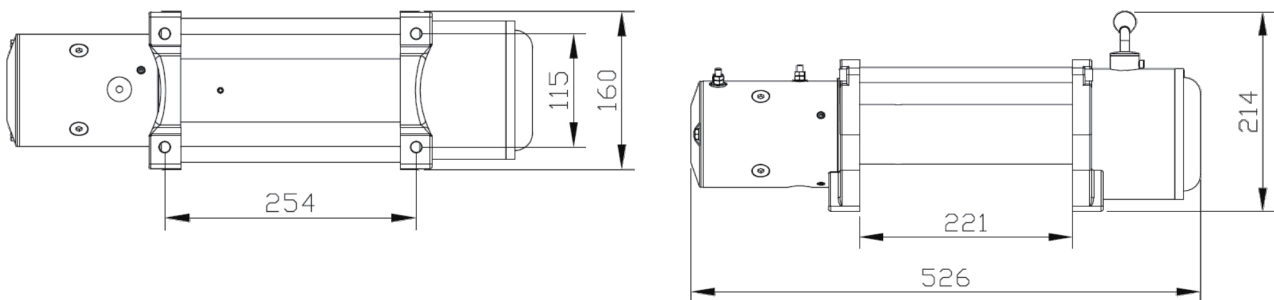
Performance voltage	DC 12V / 24V
Rated pull (single line)	12,000lbs (5,443kgs)
Motor	4,5KW, series wound
Gear reduction ratio	265:1
Gear train	3 stage planetary
Remote control cable	3m
Clutch	Sliding ring gear
Braking action	Automatic in-the drum
Drum size	ø64mm x 224mm
Synthetic rope	ø9,5mm x 24m
Fairlead	Aluminium fairlead
Battery leads	1.8m
Overall dimensions	530 x 160 x 216mm
Wireless remote control	Included

Operating Guide

Mounting the winch

1. The winch is to be mounted into a suitable steel mounting frame using the 4 point foot mounting system in either a horizontal or vertical plane.
2. It is very important that the winch be mounted onto a flat surface so that the 3 sections (motor, drum and gear housing) are properly aligned.
3. Before commencing installation, you should ensure that the mounting facility being used is capable of withstanding the winches rated capacity. The fitment of winches and a frontal protection system may affect the triggering of SRS air bags. Check that the mounting system has been tested and approved for winch fitment in an airbag equipped vehicle. Winch mounting frames and frontal protection systems are suggested to suit most popular vehicles. Winch frames are packaged with detailed fitting instructions. Should you wish to manufacture your own mounting plate, the dimensions below will assist. A steel mount plate 6mm thick is recommended.

Fasteners should be steel high tensile grade 5 or better. A poorly designed mount may void your warranty. A winch should be secured to the mounting with the 3/8" UNC X 1-1/4" stainless steel bolts and spring washers provided. The roller fairlead is to be mounted so as to guide the rope into the drum evenly.



Lubrication installation

All moving parts in the winch are permanently lubricated with temperature lithium grease at the time of assembly. Under normal conditions, factory lubrication will suffice. Lubricate the cable periodically using a light penetrating oil. Inspect for broken strands and replace if necessary. If the cable becomes worn or damaged, it must be replaced.

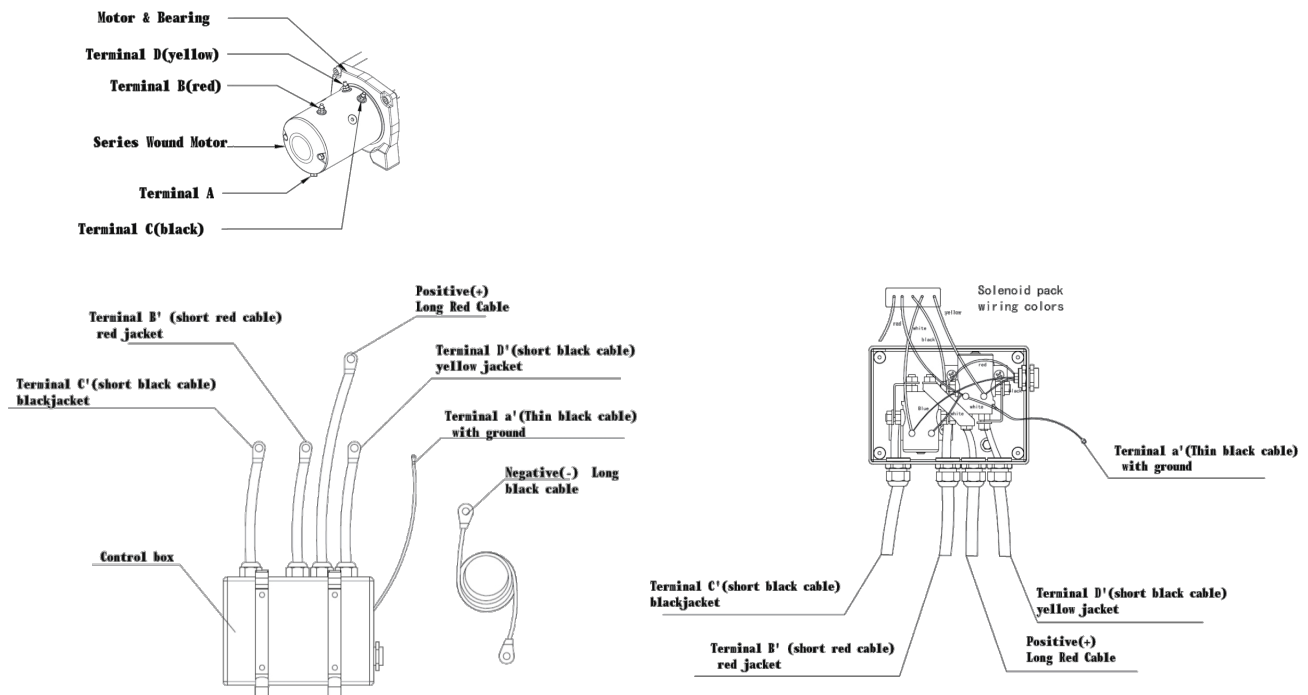
Cable installation

Unwind the cable by rolling it along the ground to prevent kinking. Remove old cable and observe the manner in which it is attached to the cable drum flange.

Electrical connection

For normal self-recovery work, your existing electrical system should be adequate. A fully charged battery and proper connections are essential. Run the vehicle engine during winching operations to keep the battery charged. Pay close attention to the proper electrical cable connection (refer to diagram 1). Short red cable (B) connecting to the red terminal (B) of the motor. Short black cable with black jacket (C) connects to the black terminal (C) of the motor. Thin black cable (A) connects to the bottom terminal (A) of the motor. Long black

cable (1.8m), one terminal (A) connecting to the bottom terminal (A) of the motor and the other negative (-) terminal connects to the negative (-) terminal of the battery. The long red positive (+) cable connects to the positive (+) terminal of the battery.



Note: battery must be kept in good condition. Be sure that the battery cables are not drawn taught across any surfaces which could possibly damage them. Corrosion on electrical connections will reduce performance and may cause a short. Clean all connections, especially in the remote control switch and receptacle. In salty environments, use a silicon sealer to protect from corrosion. Index the heads of the plate studs into the keyhole slots on the back of the winch.

Suggestion: the best way to get acquainted with how your winch operates is to make a few test runs before you actually need to use it. Plan your test in advance. Remember, you can hear your winch as well as see it operate. Get to recognize the sound of light steady pull, heavy pull and also sounds made by the load jerking or shifting. Soon you will gain confidence in operating your winch and its use will become second nature to you.

Operation

Ensure the vehicle is secure by applying the parking brake or chocking the wheels. Pull out the inch cable the desired length and connect to an anchor point. The winch clutch allows rapid uncoiling of the cable for hooking into the load or anchor point. The shifter tab located on the gear housing of the winch operates the clutch as follows:

- To disengage the clutch, move the clutch shifter tab to the 'OUT' position. The cable may not be free spooled off the drum.
- To engage the clutch, move the clutch shifter tab to the 'IN' position. The winch is now ready for pulling. Recheck all cable rigging before proceeding. Plug in the winch hand control. It is recommended that the winching operation take place from the driver's position to ensure safe operation. To commence the winching operation, start the vehicle engine and select

neutral gear and maintain the engine speed at idle. Operate the control to IN or OUT until the vehicle is retrieved. Regularly check the winch to ensure that the cable is winding onto the drum evenly.

Note: never winch with your vehicle in gear or in park as it may damage your vehicles transmission. Never wrap the cable around the object and then hook the cable to itself, as this can damage the object being pulled and may cause a kink or fray in the cable. Keep hands, clothing, hair and jewellery clear of the drum area and cable when winching. Never use the winch if the cable is frayed, kinked or damaged.

Never allow anyone to stand near the cable or in line with the cable behind the winch while it is under power. If the cable should slip or break, it can suddenly whip back towards the winch, causing a hazard for anyone in the area. Always stand well to the side while winching. Don't leave the switch plugged in when the winch is not in use. Check the winch carefully and thoroughly before operating.

Maintenance

It is highly recommended that the winch be used regularly (once a month). Simply power the cable out 15m, free spool 5m and then power back in. This will keep all components in good working condition so that the winch can be relied on when needed. Contact the Kogan customer support team for more information if you have queries.

NOTES

This guide is recommended for average vehicle rolling loads. Some applications may require a larger winch than indicated.

A 10% grade is a rise of one meter up for every ten meters forwards.

The winch is not intended to be a load securing device.

Please refer all servicing and repairs to the Kogan customer support team. Kogan.com is not responsible for any damage or injuries caused by the misuse of this product.

Winch Diagram and Parts List

Part #	Description	Qty
1	Tandem motor	1
2	Winch bearing	2
3	Fixed connection pole	2
4	Brake equipment	1
5	Drum	1
6	Screws with six angles inside M4x25	10
7	Flat behind the gear box	1
8	Connected gear 4	1
9	Planet gear 3 general equipment	1
10	Planet gear 2 general equipment	1
11	Paper shim	2
12	Packing of gear box	1
13	Handle equipment	1
14	Inside gear	1
15	Planet gear 1 general equipment	1
16	Gear box bar	1
17	Screws with six angles inside M8x25	4
18	Screws with six angles inside M4x16	10
19	Fairlead	1
20	Switch	1
21	Connected box	1
22	Red strap	1
23	Hook	1
24	Synthetic rope: 9.5mm x 24m	1
25	Wireless remote control	1

