

ERGOLUX

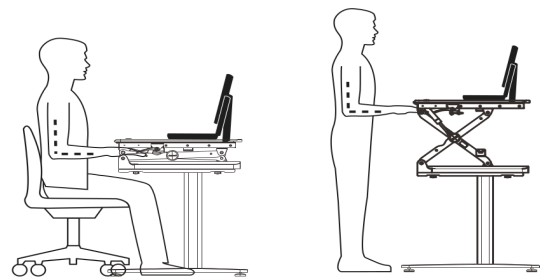
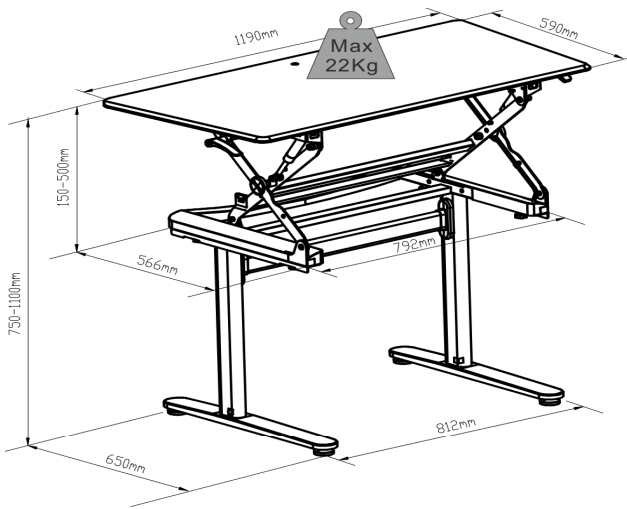
Pro Height Adjustable Sit Stand Desk ELDSKSTPLBD Quick Start Guide

Please read all instructions carefully before using this product. Retain a copy of this manual for future reference. The specific appearance of the product may slightly differ from the illustrations, and is subject to change without notice.

Product

Dimensions and Weight Limits

WARNING: Please do not exceed the maximum 22kg bearing weight.

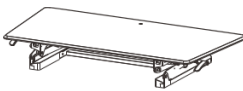











Technical Data

Desktop load-bearing:	Max:22KG
Height range:	750-1100mm

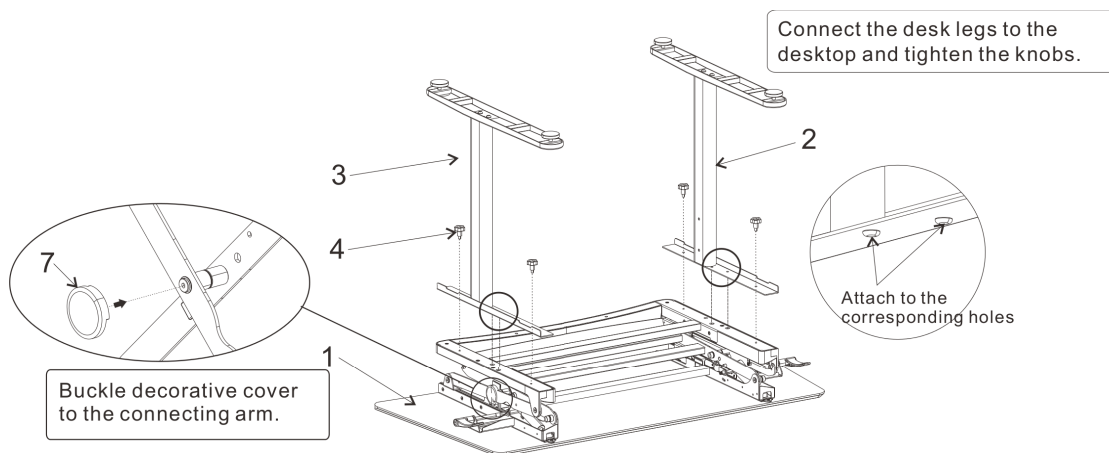
What's In The Box

Note: the illustrations below are for reference only and may be slightly different to the supplied product. If you find any parts missing or experience any installation problems, please contact the Kogan.com customer support team.

1 - Qty 1  Desktop component	2 - Qty 1  Left desk leg	3 - Qty 1  Right desk leg	4 - Qty 4  Knob	5 - Qty 1  Combined beam
6 - Qty 4  Plastic cap	7 - Qty 2  Plastic decorative cover	8 - Qty 4  Adhesive buckle	9 - Qty 1  Allen Key 5x5mm	10 - Qty 1  Cable management

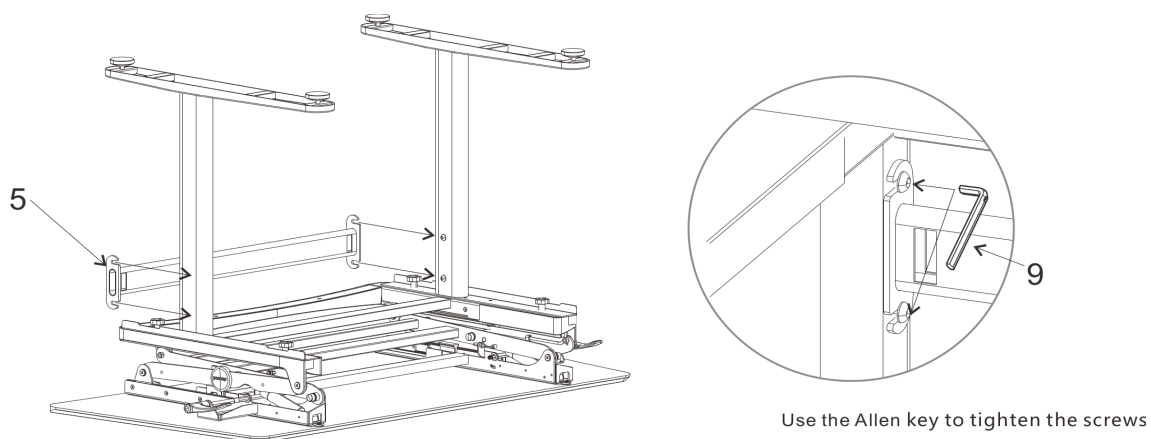
Installation

Assembly Step 1

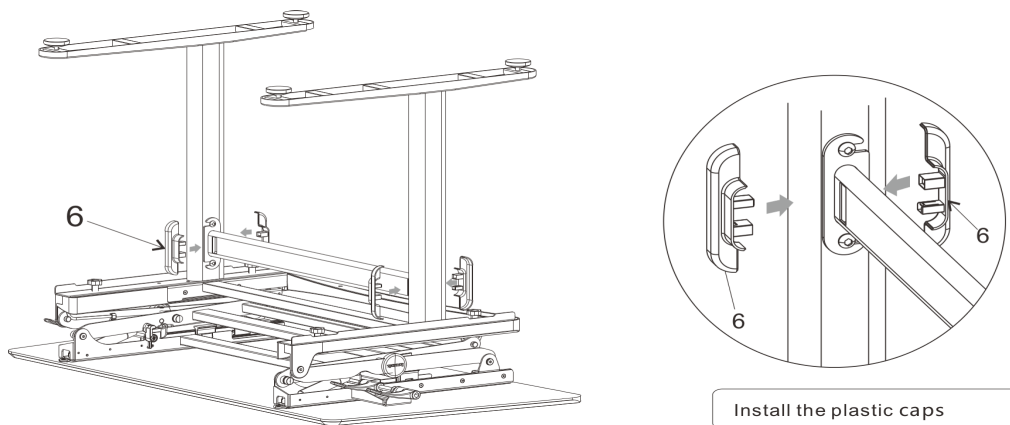


WARNING: Please take care to place the unit on a soft flat surface.

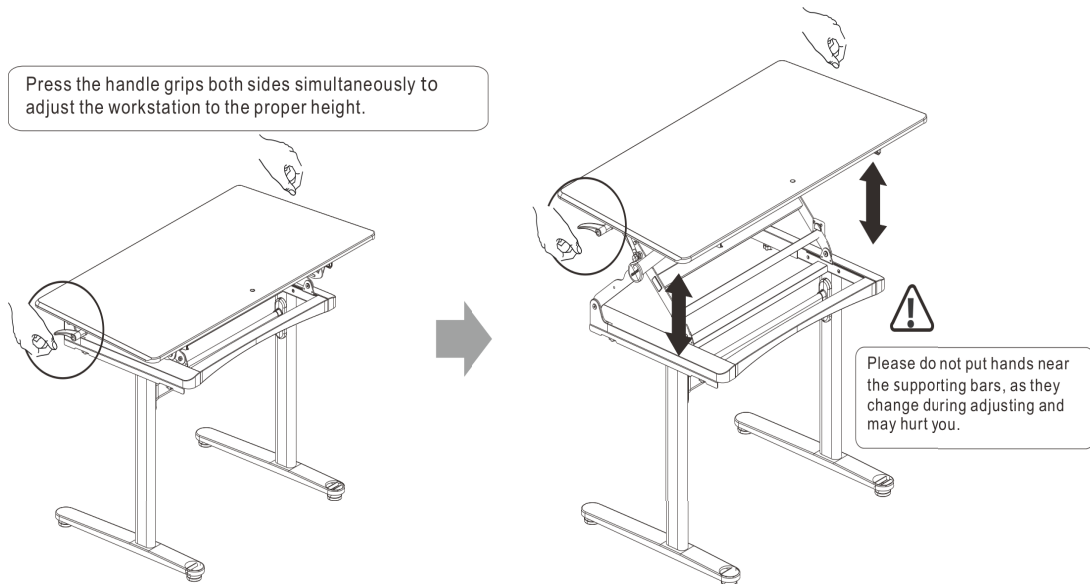
Assembly Step 2



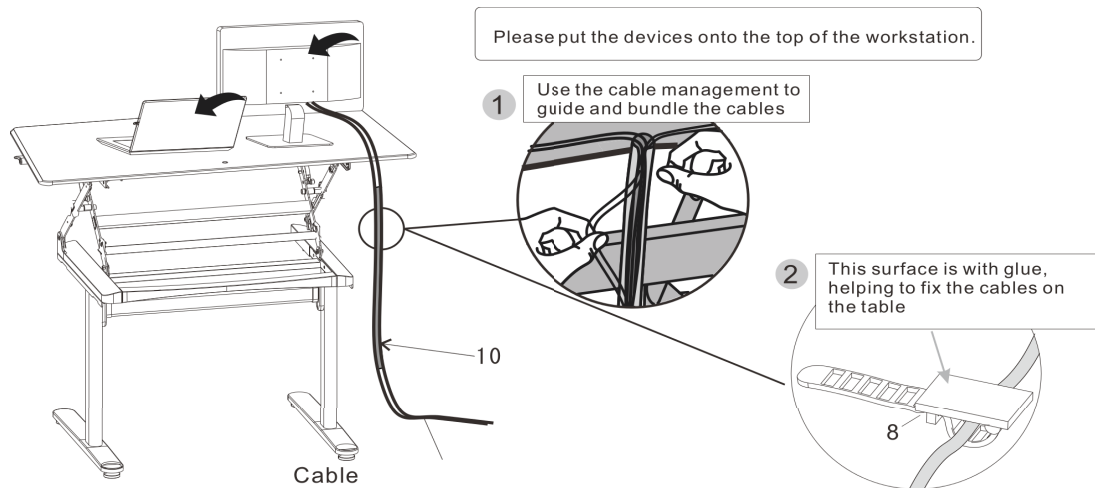
Assembly Step 3



Assembly Step 4



Assembly Step 5



Product Warnings

WARNING

Hands Pinching
Do not place your hand near the strut.
Strut's angle will change during the desktop
lifts and it may hurt you.



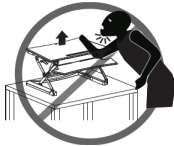
Please do not put your hands near the supporting bars, as they can change during adjustment and cause injury.



Please make sure all equipment is installed safely on the desktop or table, with no parts sticking out over the edge.



Please ensure there is enough length on the cable for height adjustments, as otherwise adjustments may lead to devices being pulled off the unit.



When possible, remove all equipment from the unit before adjusting the height, as this will help avoid damage.



Please move the unit with another person, as parts may move in transit and cause pinching or collisions.

User manual is subject to change without notice. For the latest version of your user manual, please visit <https://www.kogan.com/usermanuals/>