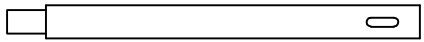

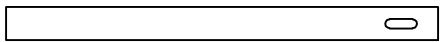
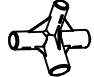
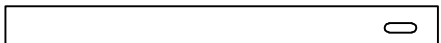
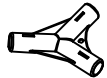
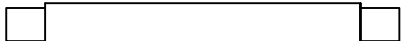

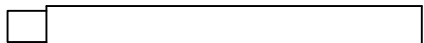

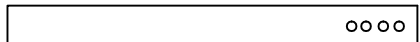
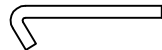
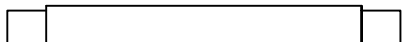

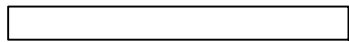
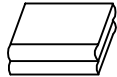
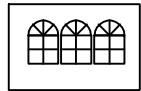
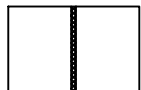
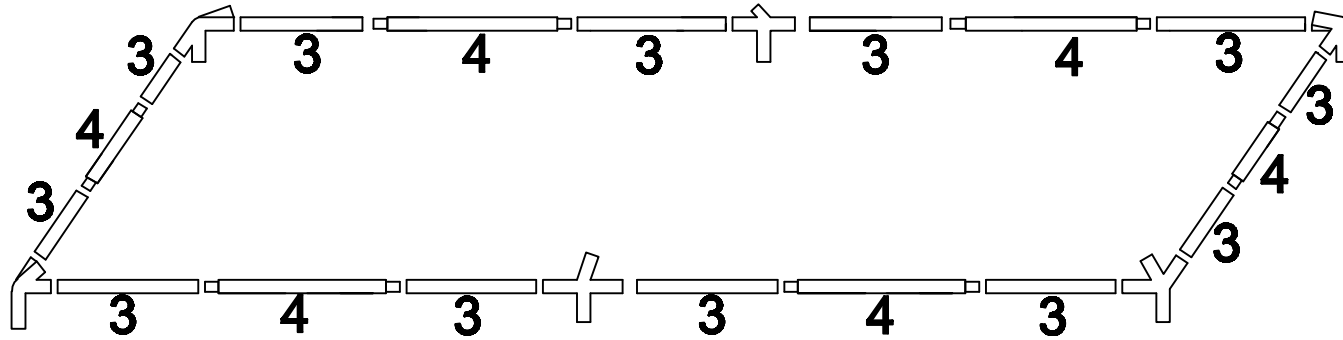
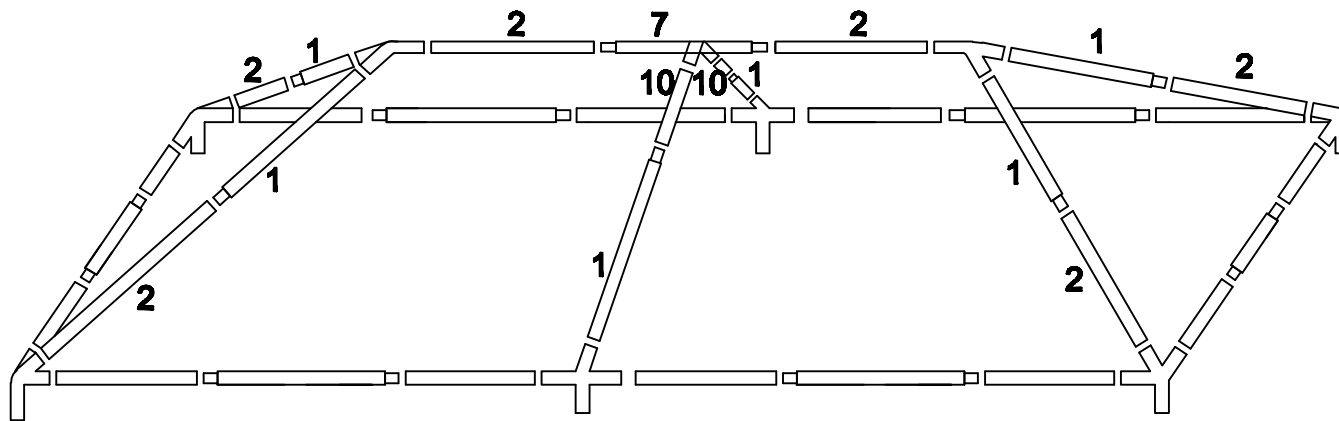


NO	Image	Qty	NO	Image	Qty
1		6	Plastic Angle Connector		4
2		6	Middle Connector		2
3		12	Top Connector		2
4		6	Top Middle Connector		1
5		6	Plastic Foot		6
6		6	Ground Peg	 $\phi 5$	12
7		1	Peg Guide Rope	 $\phi 5$	6
10		2	Roof Fabric		1
			Sidewall		4
			Door		2

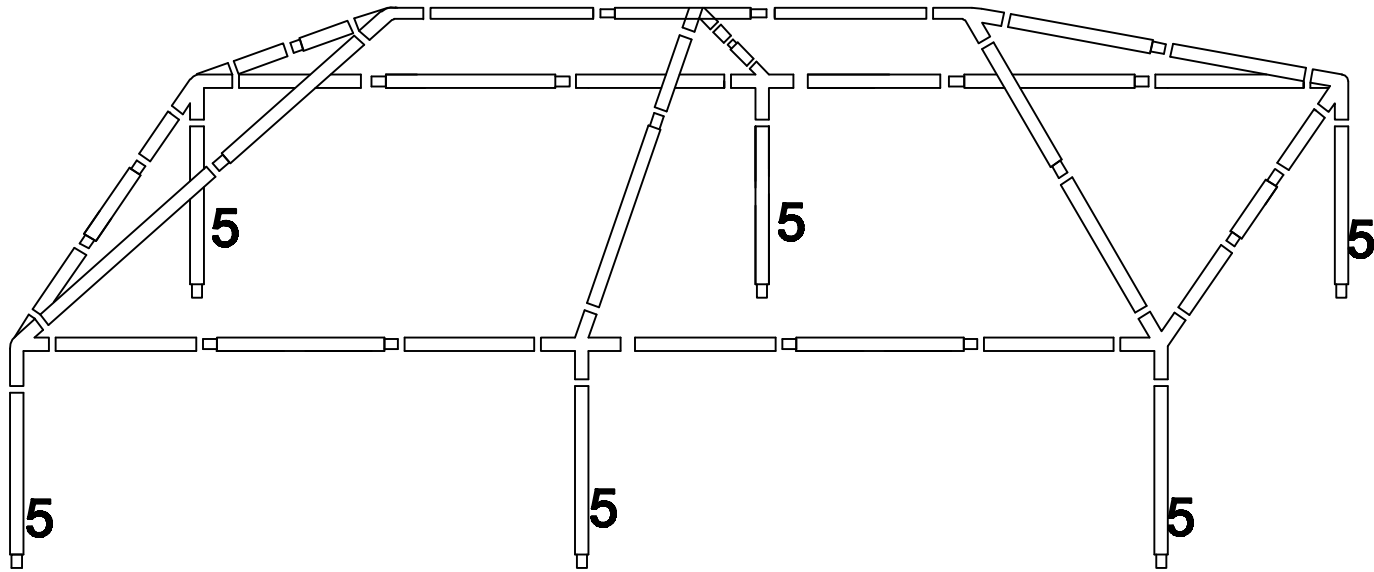
①



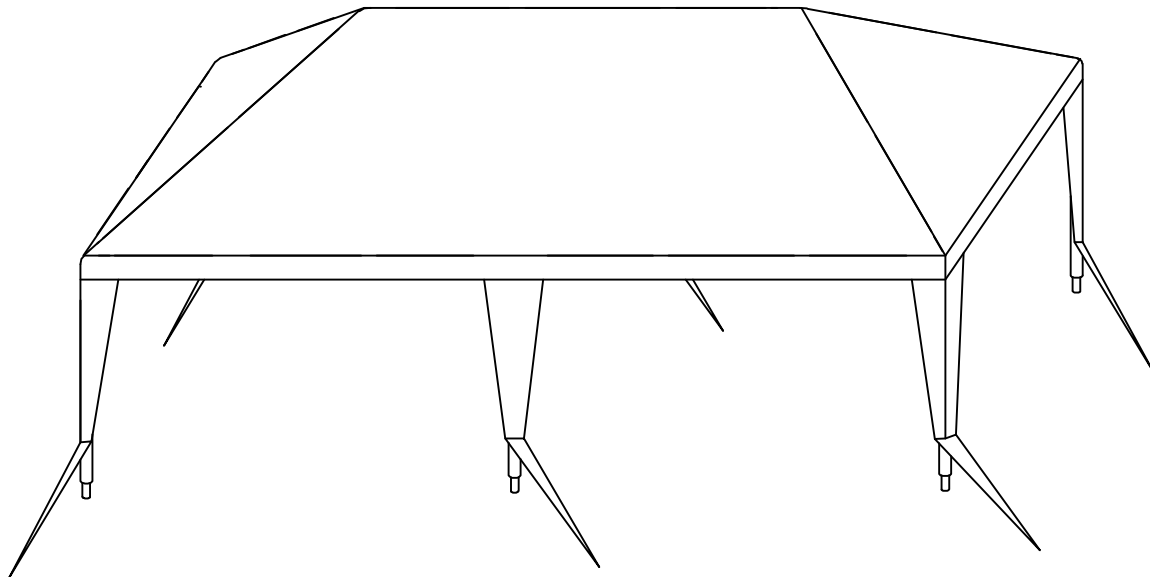
②



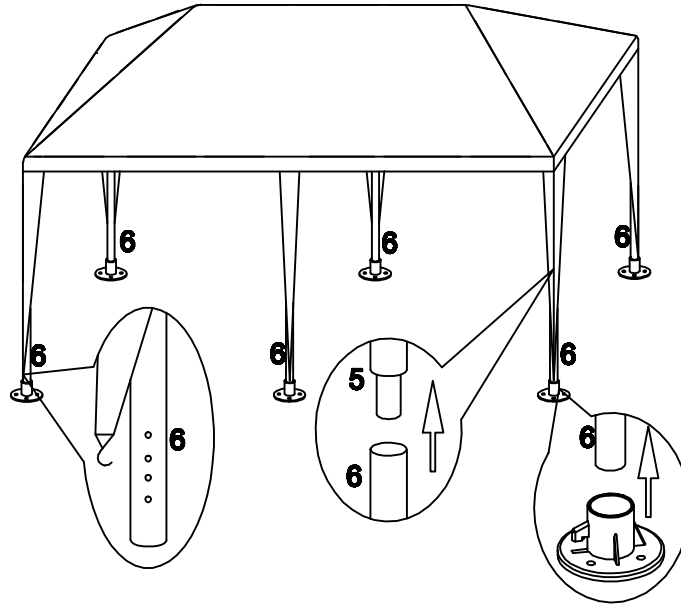
③



④



5



6

