

kogan

Electronic Safe Security Box

KASAFEBOXXA

USER MANUAL

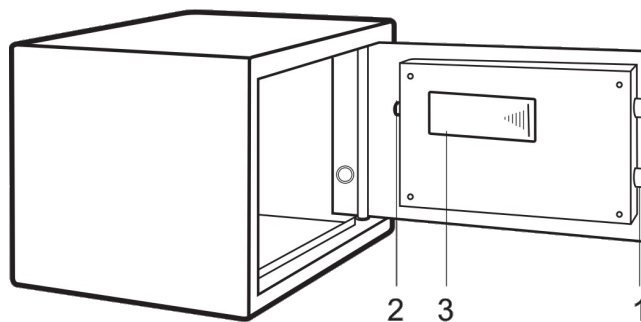


Intelligent Electronic Safe

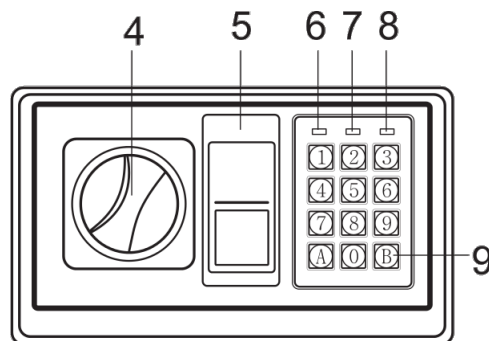
Please do not keep emergency keys inside your safe!

Thank you for choosing the Kogan Security Safe Box. You have taken an important step in organising and protecting your most valued possessions. Please take the time to read and familiarise yourself with the proper operating procedures of the new safe.

Schematic Drawing of Casing



Schematic Drawing of Control Panel



- | | |
|--------------------------|-------------------------------------|
| 1 - Bolts | 6 - Green Light |
| 2 - Reset Button | 7 - Red Light |
| 3 - Battery Compartment | 8 - Yellow Light |
| 4 - Knob (Master Key) | 9 - Confirmation Button |
| 5 - Emergency Lock Cover | 10 - Power Supply: 4 x AA Batteries |

Caution: All drawings in this manual have been prepared based on the initial sample. The exterior design or component positions of consecutive models may be different from that indicated in the drawings, while the operations will be the same.

Opening the safe for the first time

Upon first opening, the user should open the safe with the emergency key. The operation to do this in detail is covered in the section 'opening the safe with the emergency key'.

- Remove the emergency lock cover, then insert the emergency key and turn it counter-clockwise.
- Turn the knob (master key) clockwise, to open the door.

CAUTION: When the operation has been finished, please remove the emergency key and store it somewhere safe and private.

Inserting the batteries

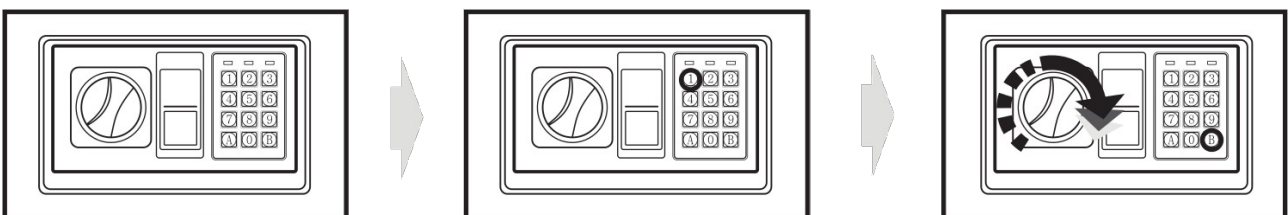
- Open the door.
- Insert 4 x AA batteries into the battery compartment.
- Under normal conditions, if both the red and the green lights are on at the same time, it means the voltage is low and you should insert new batteries.

CAUTION: Replace 4 fresh batteries by lining them up in a manner as indicated by the + and - symbols. When outage is for longer than 30 minutes, you should reset the user's code.

Opening the door

- Input your user's code (3 to 8 digits), each press resulting in a buzzer beep and yellow light flashes.
- Press either the 'A' or 'B' button, and the green light will be on.
- Rotate the knob (master key) clockwise and pull outwards within 5 seconds and the door will open.

CAUTION: The preset user code is '159'. Please input this code again if the yellow light flashes, followed by three buzzer beeps.



Closing the door

- Turn the knob (master key) counter-clockwise to close the door.

Automatic lock

- 3 continuous wrong entries will activate a 20 second warning beep sequence.

CAUTION: The keypad will be disabled during this beeping sequence. You can only stop the beeps by opening the safe with the emergency key and removing the batteries to cut the power.

Setting the user code

1. With the door open, press the reset button once. The reset button can be found on the inner hinge side of the door.
2. Once the reset button is pressed, the yellow light will go on. At this point, start inputting your desired code.
3. Input your new code (3-8 digits), then press either 'A' or 'B' to confirm. There will then be 2 buzzer sounds, indicating that the code has been accepted and stored in the memory.
4. If the yellow light flashes with 3 buzzer beeps, this means that the code changing has not been effective and you will need to try the sequence again.

Opening the safe with the emergency key

Upon the events of first receipt of the safe, an electronic malfunction or unknown codes, the emergency key can be used to open the safe.

- Remove the cover of the emergency lock.
- Insert the emergency key, turn it counter-clockwise and then turn the knob (master key) clockwise to open the door.

