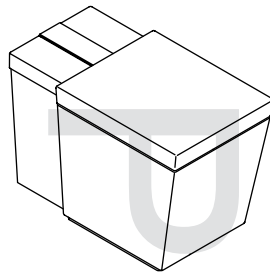


Installation Guide

Toilet

K-3900



This is the latest version of the Installation Guide.

The through-the-floor information is accurate and complete, however, we understand it unnecessary for the Chinese market.

Please modify as necessary to the meet your market.

We can supply you with the original art files if changes are needed.

M product numbers are for Mexico (i.e. K-12345**M**)
Los números de productos seguidos de **M** corresponden a México
(Ej. K-12345**M**)
Français, page "Français-1"
Español, página "Español-1"

THE BOLD LOOK
OF **KOHLER**

Important Information

NOTE: This product is designed for installation with the electrical and water supplies located through either the wall or the floor.

Grounding Instructions

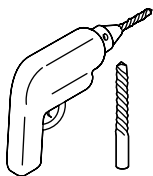
- This product should be grounded. In the event of an electrical short circuit, grounding reduces the risk of electric shock by providing an escape wire for the electric current. This product is equipped with a cord having a grounding wire with a grounding plug. The plug must be plugged into an outlet that is properly installed and grounded.



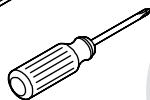
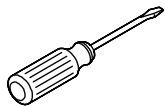
DANGER: Risk of electric shock. Improper use of the grounding plug can result in a risk of electric shock.

- If repair or replacement of the cord or plug is necessary, do not connect the grounding wire to either flat blade terminal. The wire with insulation having an outer surface that is green with or without yellow stripes is the grounding wire.
- Check with a qualified electrician or service personnel if the grounding instructions are not completely understood, or if in doubt as to whether the product is properly grounded.
- This product is factory equipped with a specific electric cord and plug to permit connection to a proper electric circuit. Make sure that the product is connected to an outlet having the same configuration as the plug. No adapter should be used with this product. Do not modify the plug provided — if it will not fit the outlet, have the proper outlet installed by a qualified electrician. If the product must be reconnected for use on a different type of electric circuit, the reconnection should be made by qualified service personnel.

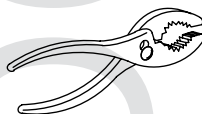
Tools and Materials



Drill with assorted Bits

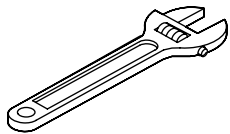


Screwdrivers

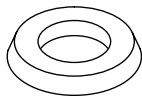


Plus:

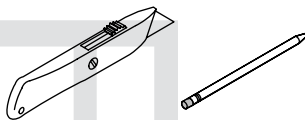
- Rug or Protective Material
- Tape



Adjustable Wrench



Wax Ring



Before You Begin



DANGER: Risk of electric shock. Disconnect power before servicing.



DANGER: Risk of electric shock. For plug-in installations/wall-mounted electrical supply: Connect only to a properly-grounded, grounding-type receptacle which is protected by a 120 V, 15 A, 60 Hz Ground-Fault Circuit-Interrupter (GFCI) or Residual Current Device (RCD). Do not remove the grounding pin or use a grounding adapter.



CAUTION: Risk of personal injury. This toilet weighs approximately 100 lbs (45 kg). Lift the toilet with two people, employing proper lifting technique.

Confirm electrical needs, change as required.

Before You Begin (cont.)



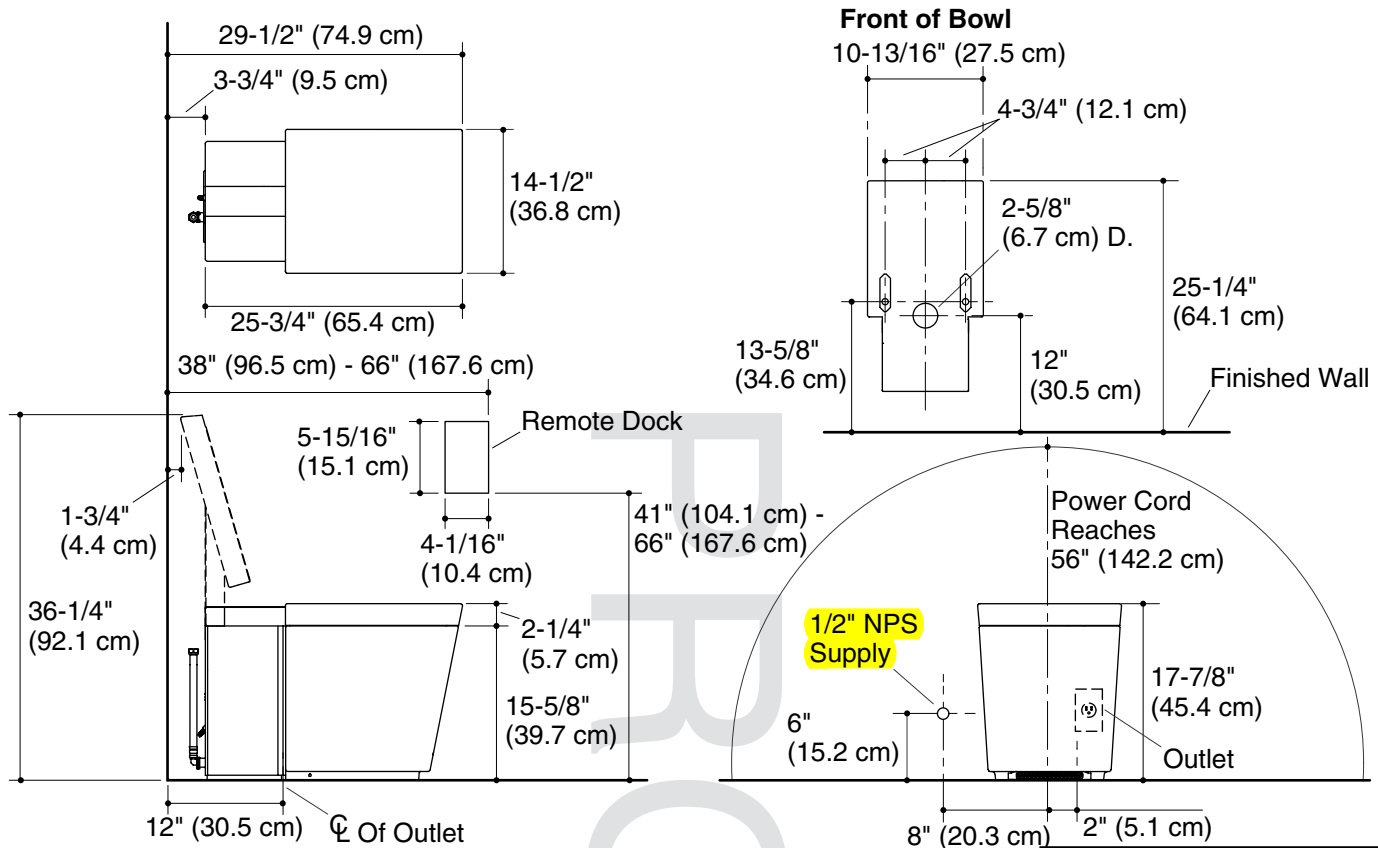
CAUTION: Risk of hazardous gases. If a new toilet is not installed immediately, temporarily place a rag in the floor flange opening.

NOTICE: Follow all local plumbing and electrical codes.

IMPORTANT! For ease of installation, install the docking station power cord before the sub wall and finished wall are installed.

- Observe all local plumbing and building codes.
- Carefully inspect the new toilet for damage.
- Consult the online users guide at kohler.com for more information.
- Kohler Co. reserves the right to make revisions in the design of products without notice, as specified in the Price Book.

D
R
O
O
F



Confirm location of electrical and water supplies, adjust as needed.

Rough-in - Wall Mount Electrical and Water Supply



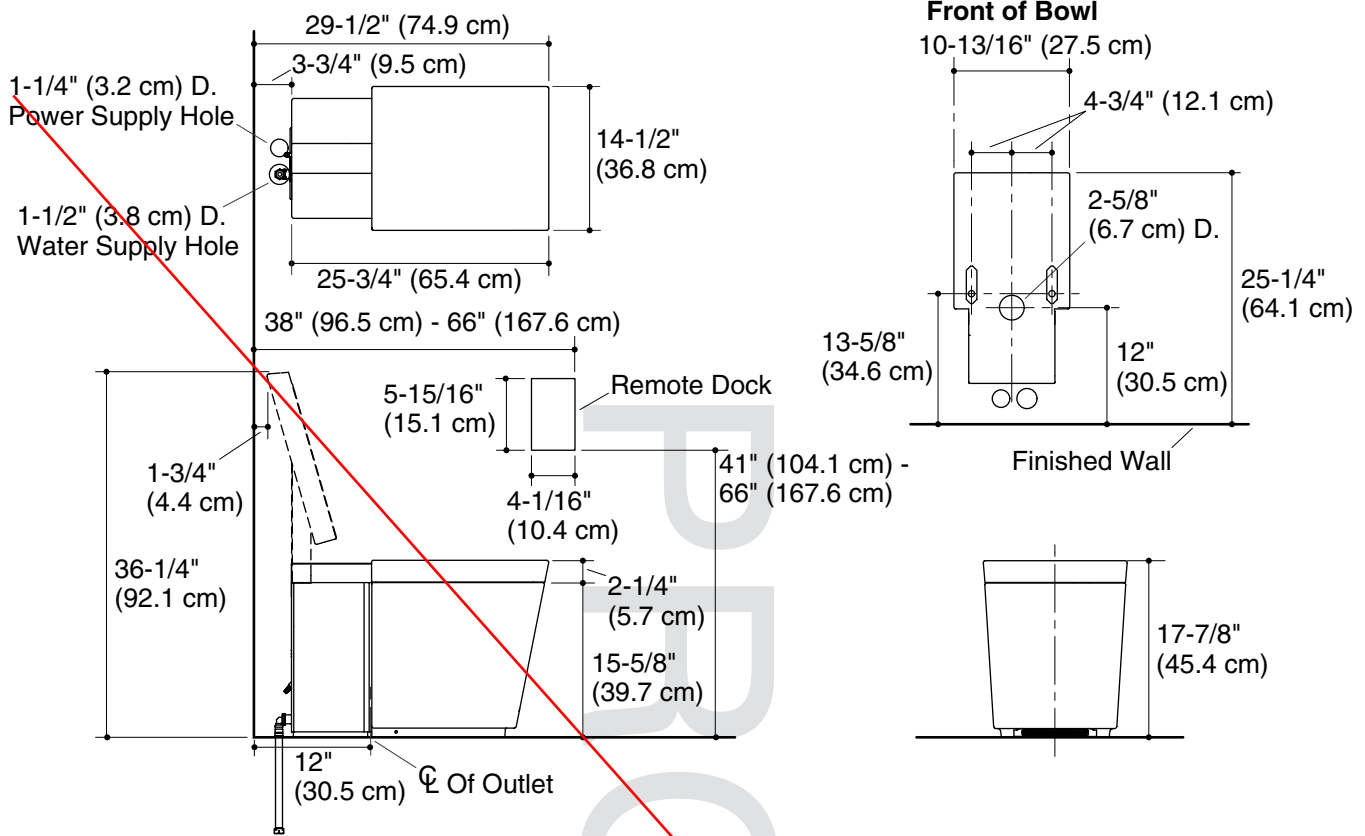
DANGER: Risk of electric shock. Disconnect power before servicing.

NOTICE: The locations for the supply shut-off, electrical outlet, and docking station cord are suggested locations. Make sure all installations adhere to applicable codes and standards.

IMPORTANT! If the supply shut-off is installed directly behind the toilet, the back panel cannot be removed for servicing. Removing the back panel would then require the entire toilet be removed.

IMPORTANT! Do not install any items behind the toilet that will interfere with the seat when it is raised. All decorative items should be at least 37" high to allow clearance for the seat.

- The remote docking station is equipped with a 15' (4.5 M) power cord. The station mounting location shown for the docking station is **ADA compliant**.
- The supplied power cord is 56" (142.2 cm) in length. The cord should be installed before the finished wall are installed if possible.
- The toilet is equipped with a motion sensor to automatically open the seat when movement is sensed. This sensor has a maximum range of 51-1/2" (130 cm). Sensitivity can be adjusted using the User Interface.
- The toilet is equipped with a motion sensor seat actuator, located on the right side of the toilet. This sensor has a maximum range of 8" (20.3 cm). Keep this area free of obstructions.
- Supply stop inlet should be **1/2" NPT**. Supply stop outlet needs to be **1/2" NPSM**.



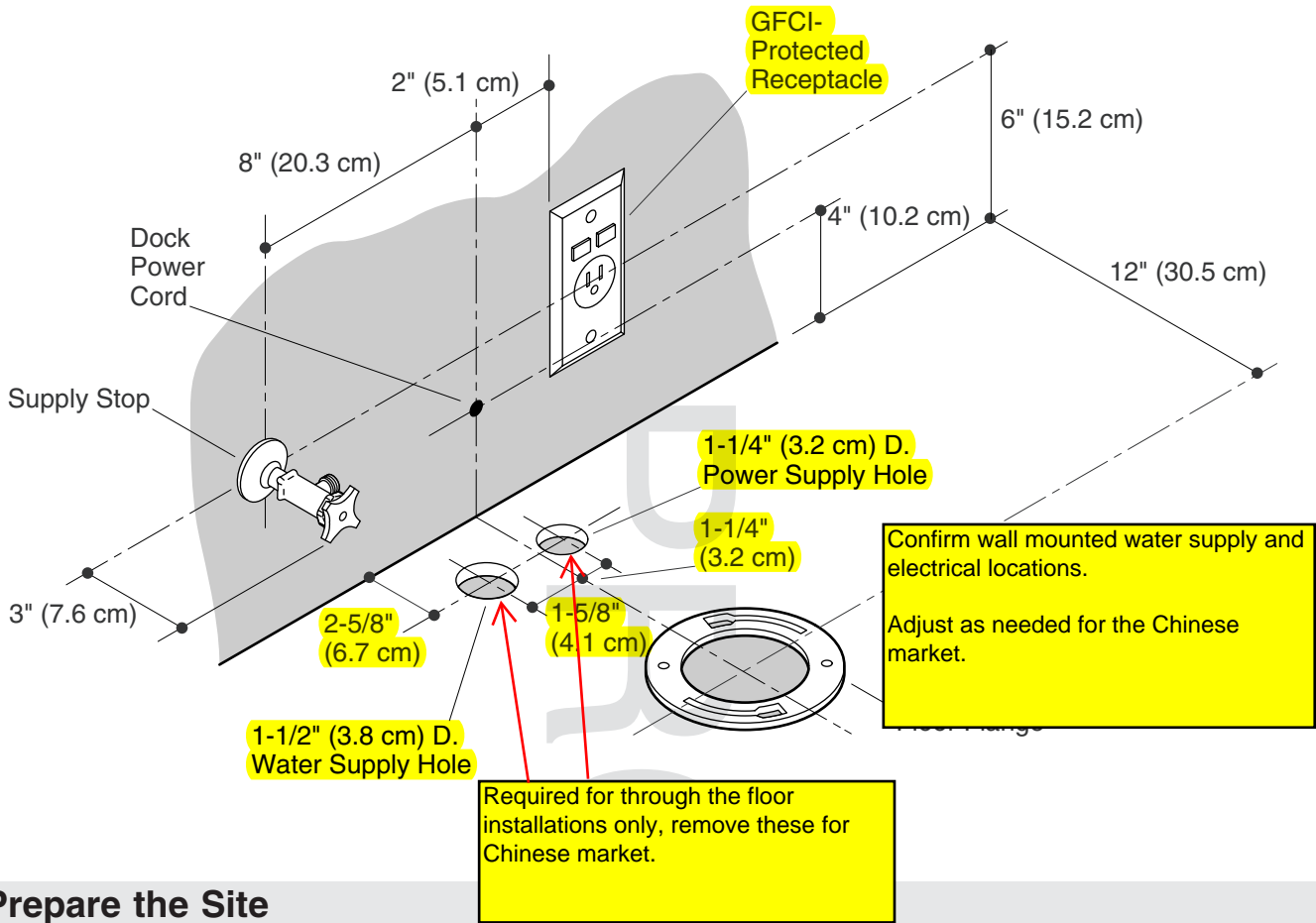
Roughing-in - Through-The-Floor Water and Electrical

NOTICE: The locations for the supply shut-off, electrical outlet, and docking station cord are suggested locations. Make sure all installations adhere to applicable codes and standards.

IMPORTANT! If the supply shut-off is installed directly behind the toilet, the back panel cannot be removed for servicing. Removing the back panel would then require the entire toilet be removed.

IMPORTANT! Do not install any items behind the toilet that will interfere with the seat when it is raised. All decorative items should be at least 37" high to allow clearance for the seat.

- The remote docking station is equipped with a 15' (4.5 M) power cord. The station mounting location shown for the docking station is ADA compliant.
- The supplied power cord is 56" (142.2 cm) in length. The cord should be installed before the finished wall are installed if possible.
- The toilet is equipped with a motion sensor to automatically open the seat when movement is sensed. This sensor has a maximum range of 51-1/2" (130 cm). Sensitivity can be adjusted using the User Interface.
- The toilet is equipped with a motion sensor seat actuator, located on the right side of the toilet. This sensor has a maximum range of 8" (20.3 cm). Keep this area free of obstructions.
- Supply stop inlet should be 1/2" NPT. Supply stop outlet needs to be 1/2" NPSM.



Prepare the Site



DANGER: Risk of electric shock. Disconnect power before installation or servicing.



DANGER: Risk of electric shock. Connect only to a properly-grounded, grounding-type receptacle which is protected by a 120 V, 15 A, 60 Hz Ground-Fault Circuit-Interrupter (GFCI) or Residual Current Device (RCD). Do not remove the grounding pin or use a grounding adapter.



DANGER: Risk of electrical shock. For hardwire installations/through-floor electrical supply: Connect only to a properly-grounded, dedicated circuit protected by an Earth-Leakage Circuit-Breaker (ELCB) or Residual Current Device (RCD).

NOTE: The electrical outlet and water supply may also be located behind the toilet. If it is located behind the toilet, the water supply stop must extend no more than 3" (7.6 cm) beyond the finished wall. If located behind the ~~back wall~~, the supply stop must be a model that connects at a 90° angle. The handle should be easily accessible.

NOTE: Locating the supply stop behind the toilet will make it difficult to remove the back panel. It may be necessary to remove the toilet to service items behind the back panel.

Install the Dock Power Cord

- If the finished wall has not been installed, route the docking station power cord. Drill a 3/8" (1 cm) hole in the wall behind the toilet location for the dock cable.
- If the finished wall is installed, drill a 3/8" (1 cm) hole in the wall behind the toilet location for the docking station power cord. Route the cord to the docking station location.

Install the Water Supply

Prepare the Site (cont.)

NOTE: The supplied water supply hose is 18" (45.7 cm) in length. The supplied hose must be used for this installation.

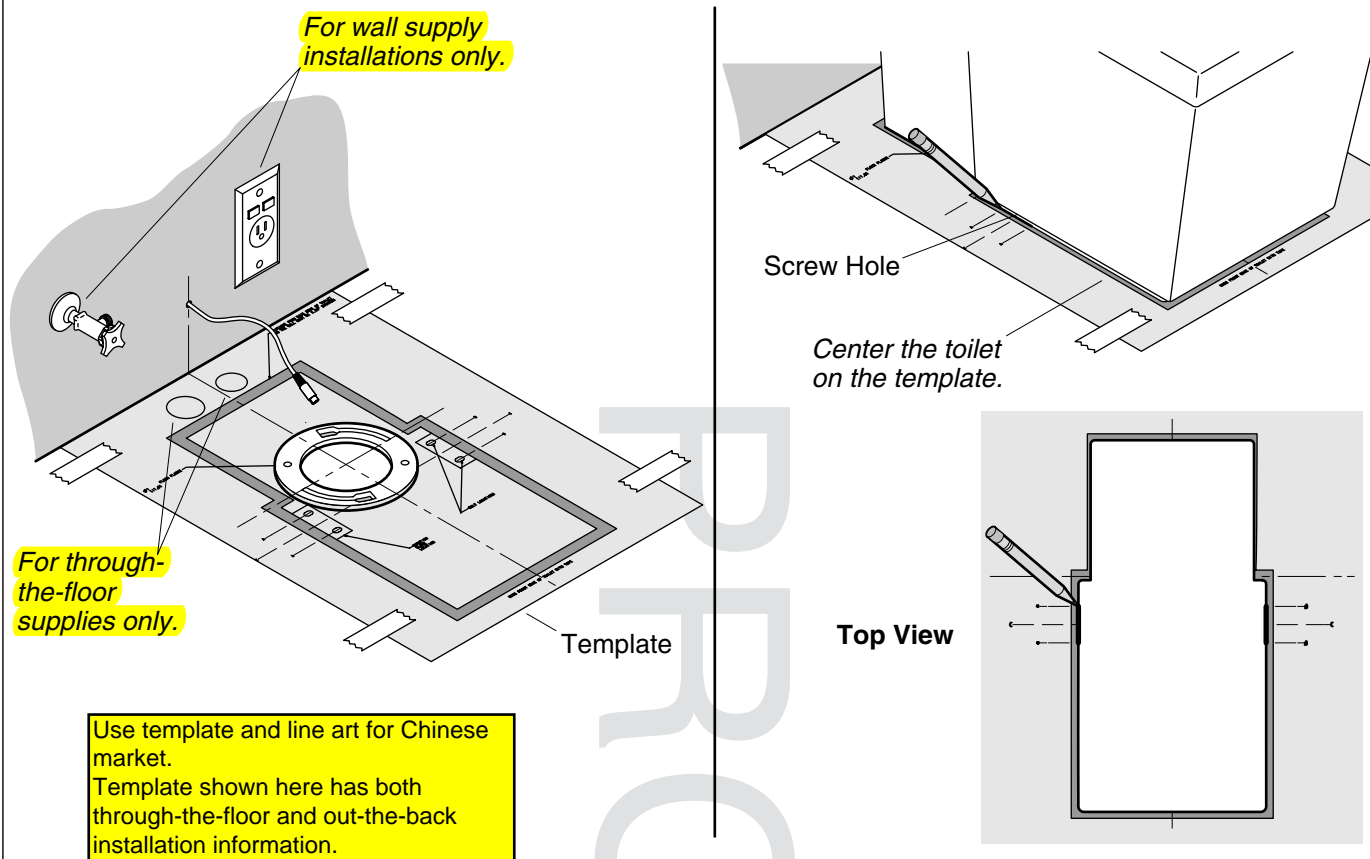
- Install the water supply and supply stop.

Install the Electrical Service

NOTE: The supplied power cord is 56" (142.2 cm) in length.

- Locate a dedicated 120 V, 15 A, 60 Hz grounding-type receptacle, protected by a GFCI or RCD, within 56" (142.2 cm) of the back of the toilet.

PROOF



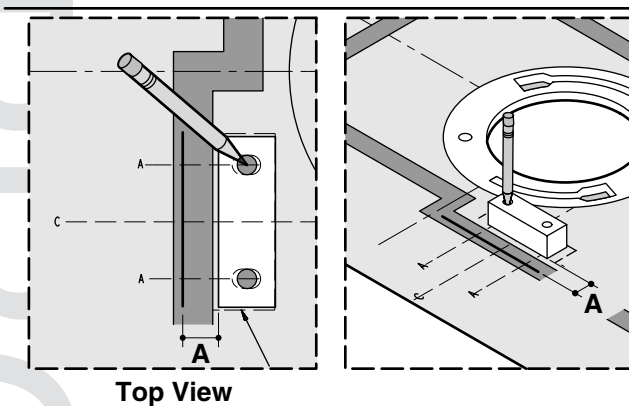
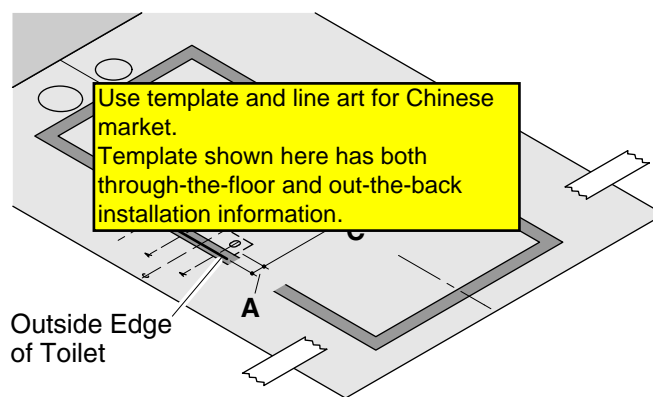
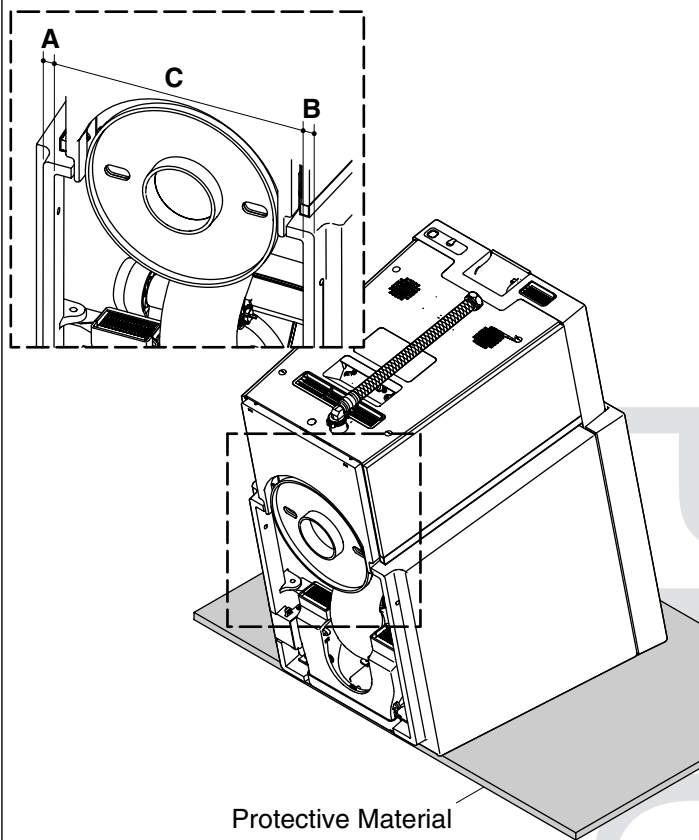
Prepare the Installation Location

IMPORTANT! Risk of product damage. If T-bolts are left in place, they will damage the toilet. Make sure they are removed before moving the toilet into place.

- If there are T-bolts in the flange, remove them. T-bolts are not required for this installation.
- Cut out the inside of the flange area on the template.
- Position the template with the hole positioned over the flange. It is **critical** that the centerlines marked on the template are centered on the flange.
- Secure the template to the floor with tape.

IMPORTANT! Because of the unique design of this toilet, the width of the bottom edges will vary. The following steps are required because of this variation.

- Confirm the template is correctly positioned and centered over the flange.
- Position the toilet on the template. Make sure the front of the base of the toilet is aligned with the markings on the template.
- Position the toilet so an equal amount of shaded area is visible on each side of the template.
- Confirm the toilet is centered by measuring the amount of space on each side of the template.
- Directly under the screw holes on each side of the toilet, accurately mark the bottom edge of the base. The mark should intersect the lines labeled "C" and "A" or "B" on each side of the template.



Determine Mounting Block Location

- Position a rug or other protective material in front of the toilet.
- Gently tilt the toilet forward until it rests on the front surface.

NOTE: The installation range of the mounting block is marked on the template. Due to variances in the width of the base, the exact location must be determined by the installer.

- Measure the width of the base, dimension "A", on the left side of the toilet.
- From the mark indicating the outside edge of the base, measure inward and mark dimension "A" on the template line marked "C".
- Measure the width of the base, dimension "B", on the right side of the toilet.
- From the mark indicating the outside edge of the base, measure inward and mark dimension "B" on the template line marked "C".

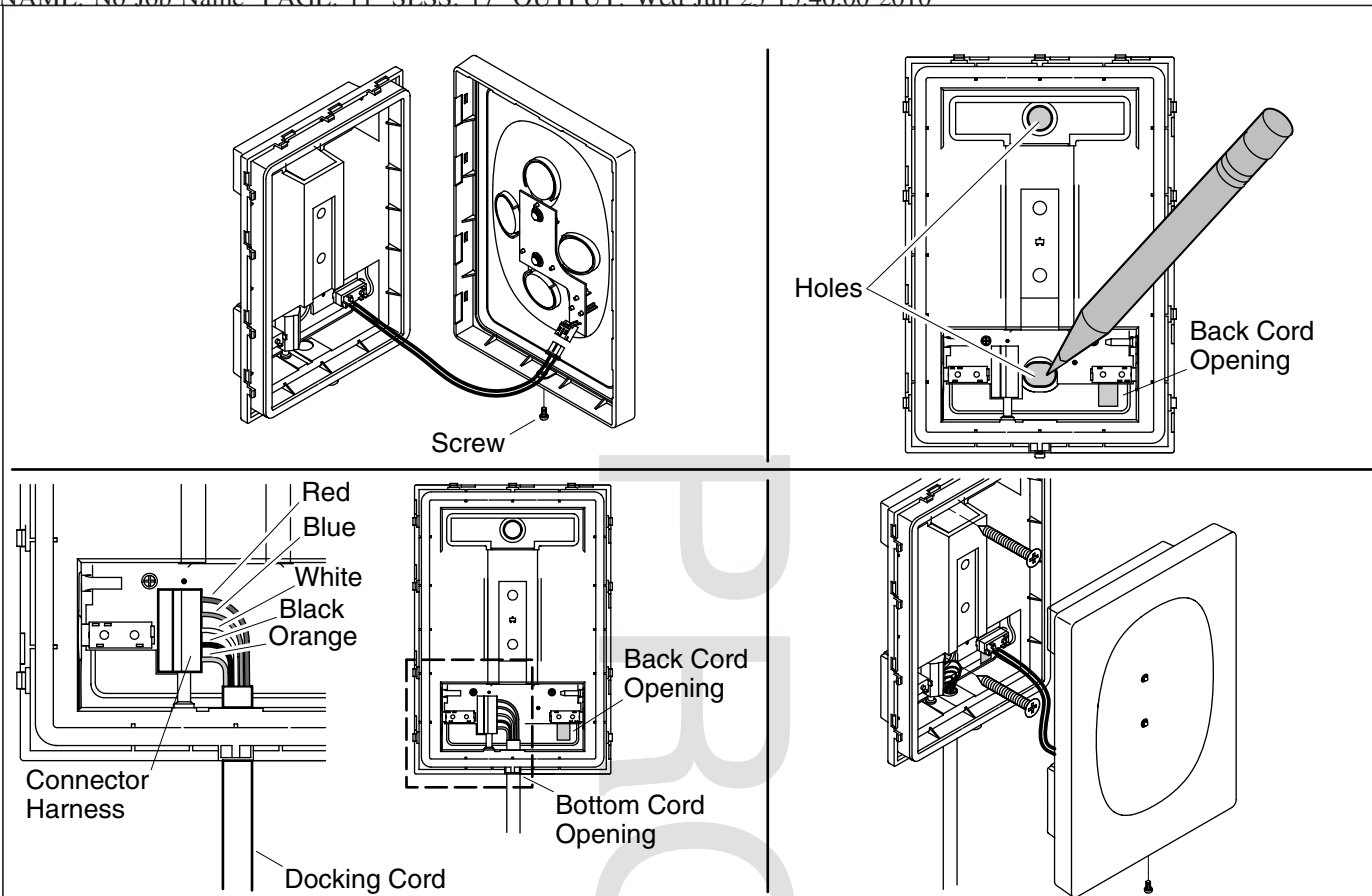
IMPORTANT! The distance between the outside edges of the mounting block should be the same or slightly less than dimension "C". The distance must not be more than 1/16" (2 mm) less than dimension "C", or the strength of the mounting block will be compromised.

- On the template line marked "C", measure the distance between the marks that indicate the outside edge of the mounting blocks. Compare this measurement to dimension "C".
- Make sure the mounting blocks are correctly positioned.
- Position the mounting blocks on the template with the outside edge aligned with the marks made for dimensions "A" or "B". With the side of the mounting blocks running parallel to the lines on the template, mark the entire side of the mounting blocks.
- With the side of the mounting blocks running parallel to the lines on the template, mark the entire side of the mounting blocks.

Determine Mounting Block Location (cont.)

- At the location of the screw holes in the side of the toilet, measure the width of the opening from the inside edge of each side of the base, dimension "C". Use this dimension to confirm the correct location of the blocks.
- Insert a pencil into each of the four pre-drilled holes in the mounting blocks and mark the center of the holes.
- Remove the mounting blocks.
- At the four locations where the centerline in the slots marked on the template and the pencil mark indicating the hole locations meet, drill a 3/16" pilot hole.
- Remove the template.

PROOF



Install the Remote Dock

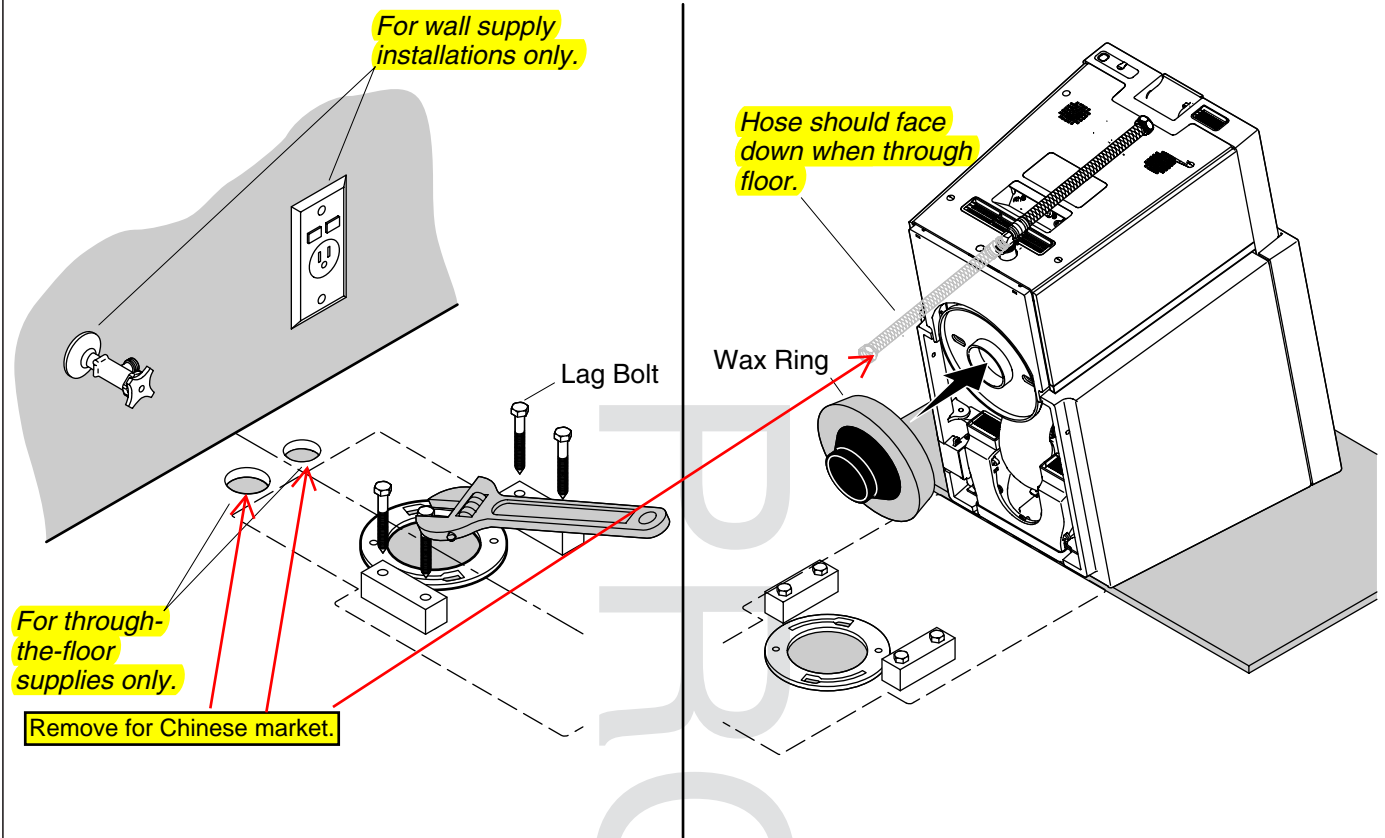
NOTE: The docking station comes with a 15' (4.6 M) cord. Locate the docking station within 15' (4.6 M) of the toilet.

- Remove the remote control from the dock and set aside.
- Remove the small screw on the bottom of the docking station.
- Carefully remove the cover plate.
- Carefully disconnect the cover plate.
- Tape the screw to the cover plate and set it aside.
- For installation using the back cord opening, align the back power cord opening with the power cord hole.
- For installations using the bottom cord opening, align the docking station with the power cord location, 1" (5.1 cm) below the center of the bottom screw hole, positioned so the cord is hidden when the docking station is installed.
- Position the docking station in the installation position and mark the screw locations using the dock as a template.
- Drill appropriate size mounting holes at the screw mounting locations. The size of the hole will depend on need for wall anchors, wall material, and installation requirements.
- If it has not already been done, run the docking station power cord from the toilet to the installation location of the docking station.
- Loosen each of the five small screws located where the wires will be connected.
- Run the power cord into the docking station.

Install the Remote Dock (cont.)

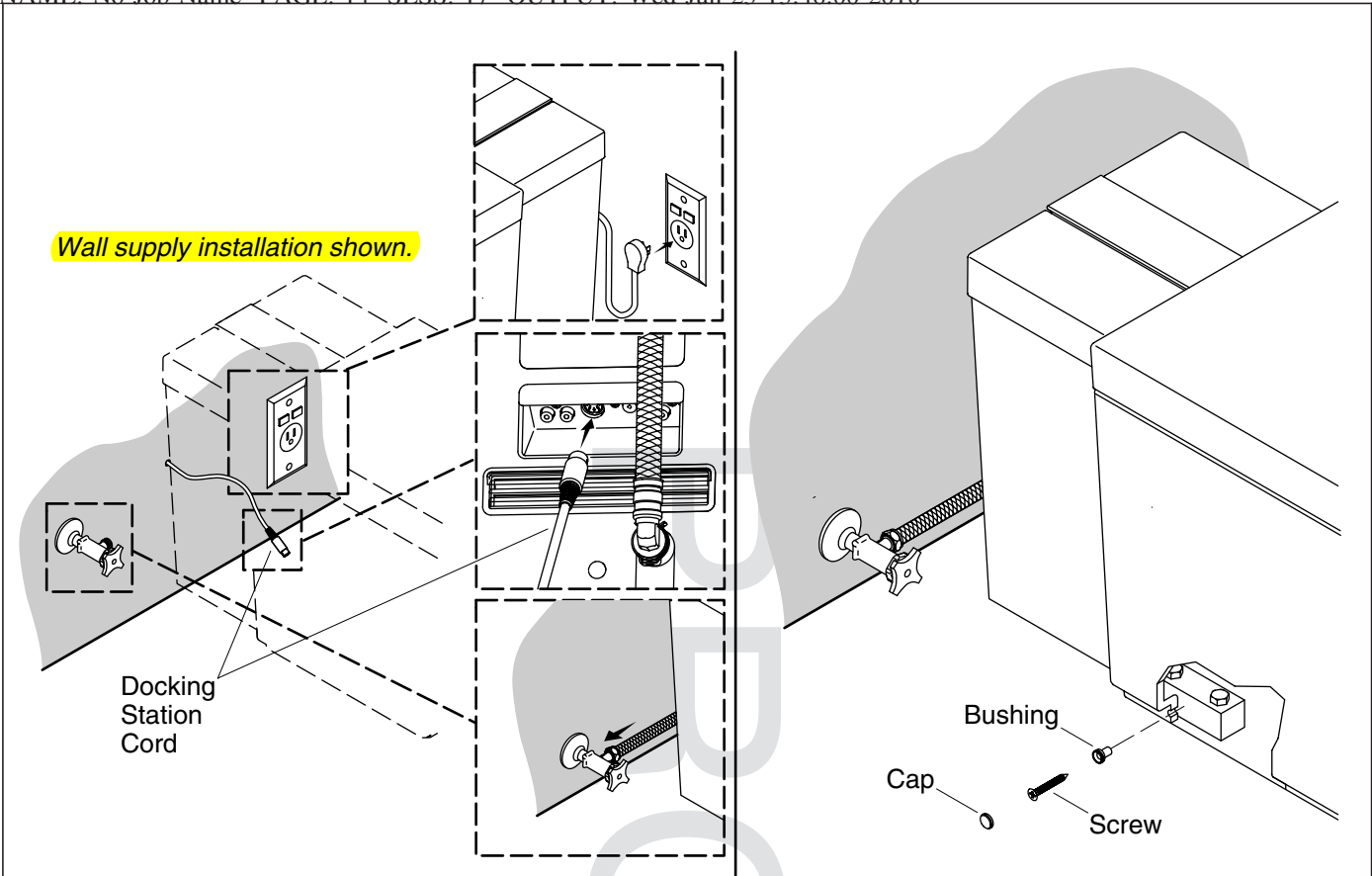
- Slide the bare end of the wires into the correct port (as shown) and tighten each screw to secure the wires in place.
- Position the docking station over the wall anchors.
- Connect the docking station to the wall using two screws.
- Reconnect the cover plate.
- Snap the cover plate back into place.
- Secure the cover plate with the screw.

PROOF



Install Mounting Blocks and Wax Ring

- Position the mounting blocks over the mounting holes.
- Secure each of the mounting blocks with two lag bolts.
- Position a wax ring on the outlet.



Install the Toilet

Position the Toilet

- Carefully lower the toilet into place, making sure the water supply line and electrical cord avoid interfering with the toilet when it is in place.
- Connect the water supply to the supply stop.
- Connect the docking station.
- Connect the power.
- Turn on the water supply.

Check for Leaks

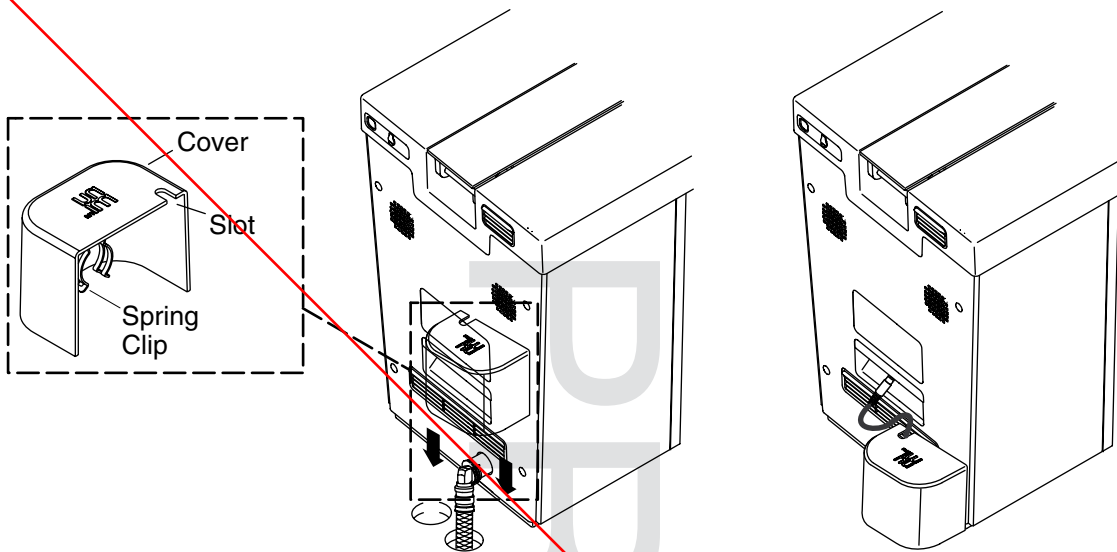
NOTE: Once the power is connected, the toilet will automatically enter start-up mode. This process takes several minutes.

NOTE: If there is a failure during start-up mode, follow the directions on the remote.

- Once the start-up sequence has been completed flush the toilet.
- Let the toilet fully refill and check for leaks.

Secure the Toilet

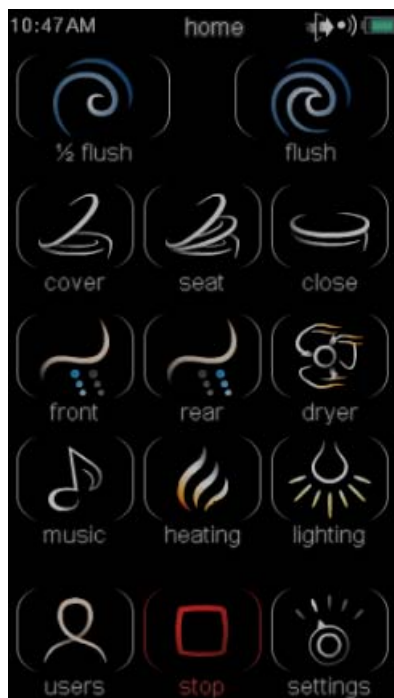
- Secure the toilet to the mounting blocks using the supplied 6 mm x 30 mm screws.
- Install the caps over the screw holes.



Installation the Back Cover

NOTE: Install the cover when the water and power supply are run through the floor. The cover is not designed for use when the water or electrical are connected to wall supplies.

- Position the cover over the water supply and electrical supply holes.
- Align the spring clip on the cover with the supply hose inlet. The clip will snap into place on the supply hose inlet to secure the cover.
- Run the docking station cord through the slot in the cover and snap to cover into place on the supply hose inlet.



Check for Correct Operation

- Make sure the remote is on the docking station. The remote should charge for 30 minutes before the first use.
- Press the power button located on the back of the toilet.
- Press the flush button on the remote. Confirm the toilet flushes.

NOTE: After performing these steps, set the clock, date, and other remote functions following the directions in the Homeowners Guide or on-line users guide in the "Getting Started" section.

PROOF

PROOF

PROOF

PROOF

USA/Canada: 1-800-4KOHLER

México: 001-800-456-4537

kohler.com

THE BOLD LOOK
OF **KOHLER**®

©2010 Kohler Co.

1132336-2-A