

Homeowners Guide

Wall Hung Toilet

K-5402

PROOF

M product numbers are for Mexico (i.e. K-12345**M**)
Los números de productos seguidos de **M** corresponden a México
(Ej. K-12345**M**)
Français, page "Français-1"
Español, página "Español-1"







THE BOLD LOOK
OF **KOHLER**®

1247364-5-A




Important Information

READ AND FOLLOW ALL INSTRUCTIONS

Important Safeguards

-  **WARNING:** To reduce the risk of burns, electrocution, fire, or injury to persons:
-  **DANGER: Risk of electric shock.** Connect only to a circuit protected by a Ground-Fault Circuit-Interrupter (GFCI)*.
-  **WARNING: Risk of electric shock.** Do not immerse or flush the product with water.
-  **WARNING: Risk of personal injury.** UV light emitted from this light can cause injury to skin or eyes. Avoid exposure to unshielded lamp.
-  **WARNING: Risk of personal injury.** Replacement of the UV lamp must only be performed by qualified service personnel.
-  **CAUTION: Risk of personal injury.** Do not remove the UV lamp protective cover. Eye damage may result from viewing the UV light directly.

For Service Personnel:

-  **WARNING: Risk of personal injury.** This cover has an interlock designed to reduce the risk of excessive ultraviolet radiation. Do not bypass the interlock. Reinstall the interlock after servicing.
-  **WARNING: Exposure to Radio Frequency Energy:** The radiated power output of the radar module is below the RF exposure limits for uncontrolled exposure. This device should be operated with a minimum distance of at least 20 cm between the antenna and a person's body.
-  **Attention: évaluation d'exposition aux RF:** L'intensité de champ RF émis par la carte radar est inférieures aux limites d'intensité de champ RF prévues pour l'environnement non contrôlé. Les dispositifs à un élément rayonnant fonctionnant normalement à des distances de séparation entre l'utilisateur et le dispositif supérieures à 20 cm.

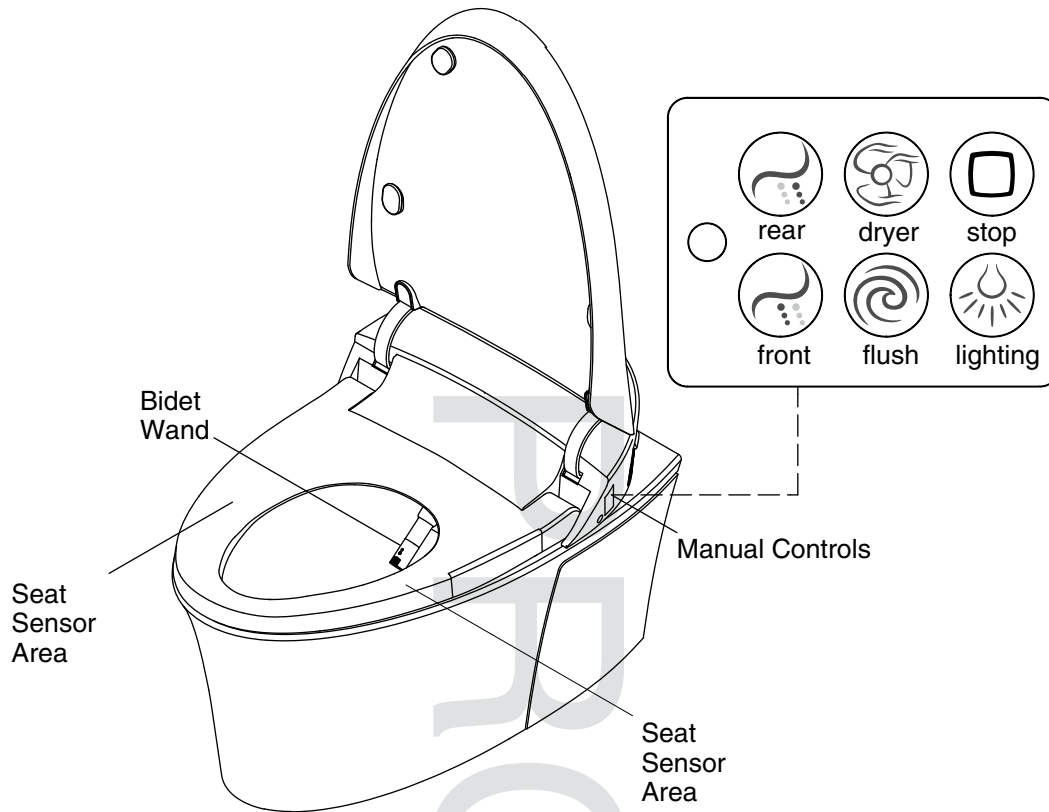
IMPORTANT! The remote control must be paired for proper functionality.

*Outside North America, this device may be known as a Residual Current Device (RCD).

IMPORTANT! When using electrical products, especially when children are present, basic safety precautions should always be followed, including the following:

- Close supervision is necessary when this product is used by, on, or near children or invalids.
- Use this product only for its intended use as described in this manual. Do not use attachments not recommended by the manufacturer.
- Never operate this product if it has a damaged cord or plug, if it is not working properly, if it has been dropped or damaged, or dropped into water. Return the product to a service center for examination and repair.
- Keep the cord away from heated surfaces.
- Never block the air openings of the product. Keep the air openings free of lint, hair, and other debris.
- Never use while sleeping or drowsy.
- Never drop or insert any object into any opening or hose.
- Do not use outdoors or operate where aerosol (spray) products are being used or where oxygen is being administered.
- Connect this product to a properly grounded outlet only.

SAVE THESE INSTRUCTIONS



Features - Toilet

NOTE: Many of the features listed here can be adjusted, enabled or disabled using the remote control. Specific directions for these procedures are listed later in this manual.

General Features

- **Automatic Flushing** - When enabled, this feature automatically flushes the toilet after the user stands up, lowers the seat, or leaves the area 60 seconds after use. The toilet arrives with this feature enabled.
- **Automatic Open/Close** - When enabled, the seat cover will automatically open when the toilet is approached. The seat and seat cover will automatically close 3 minutes after the toilet is used. The toilet arrives with this feature enabled.
- **Energy Saving Mode** - The toilet can be programmed to conserve energy. When the energy saving function is on, the toilet will reduce the heating temperature to save electricity.
- **Deodorizer** - The deodorizer eliminates or reduces unpleasant odors when enabled. It will begin operation when the user sits down. The toilet arrives with this feature enabled.
- **Side Controls** - Allows the user to control basic toilet features without the remote control.
- **Heated Seat** - When activated, the seat features an adjustable heating option that will keep the seat warm. The toilet arrives with this feature enabled.
- **Night Light** - The night light will automatically turn on in low light conditions when this feature is enabled. The toilet arrives with this feature enabled.

Bidet Features

- **Front/Rear Wash** - Front and rear wash feature adjustable positioning, adjustable water temperature, adjustable water pressure, and massage and spiral water action.

Features - Toilet (cont.)

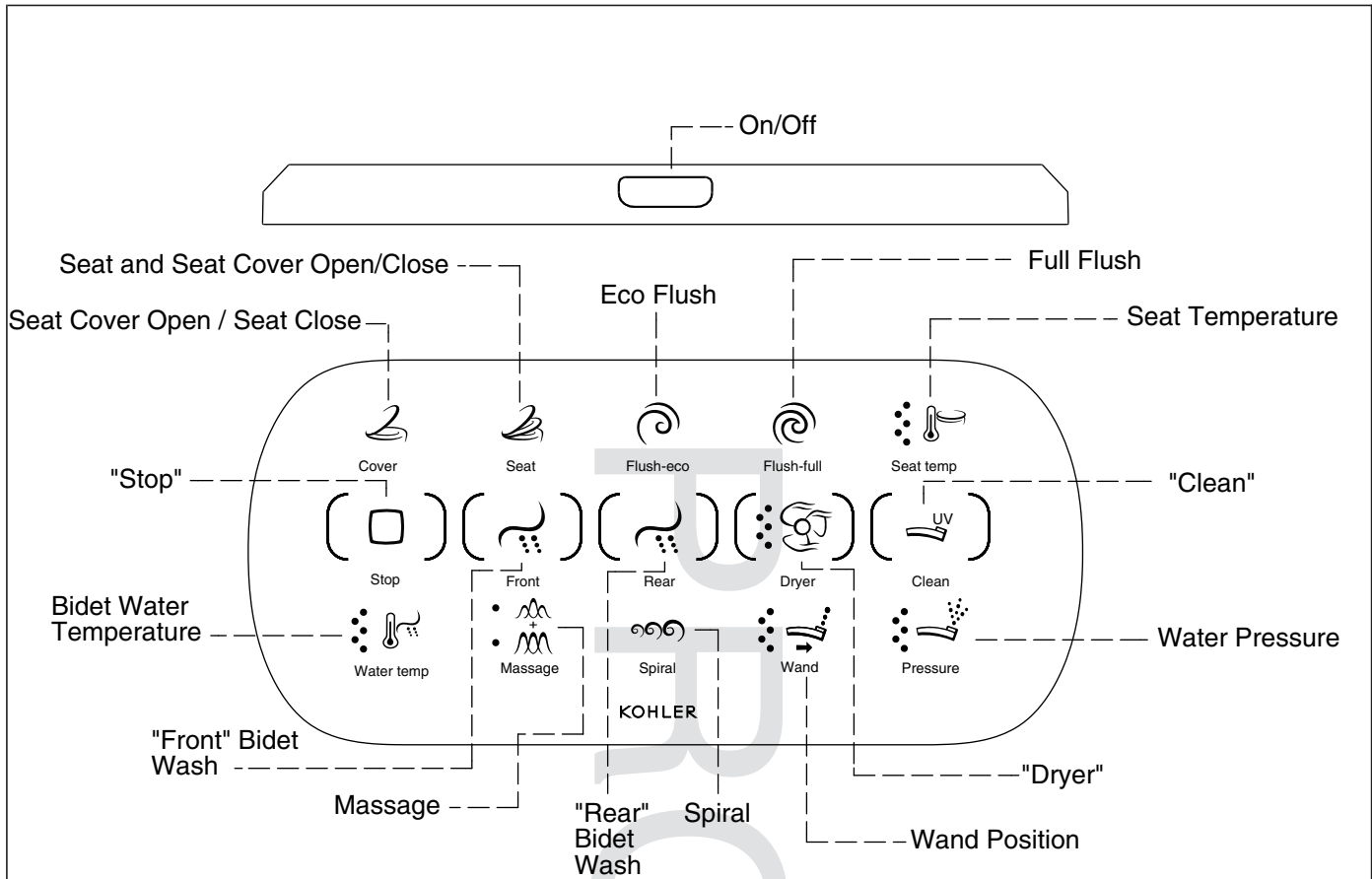
- **Dryer** - The dryer features adjustable air temperature.
- **UV Sterilization** - The sterilization feature uses ultra violet rays and sterilized water to clean the bidet wand when enabled. It will begin operation only when the seat is closed.

PROOF

Features - Remote Control (cont.)

- **Massage** - Press to activate massaging action from the bidet wand. Water pressure will vary while the massage action is activated.
- **Spiral** - Press to activate or deactivate spiraling action on the bidet wand. This function operates in the rear wash mode only.
- **Wand Position** - Select this icon to adjust the position of the wand. Press the icon again to increase or decrease the wand position.
- **Wand Pressure** - Select this icon to adjust the pressure of the water. Press the icon again to increase or decrease the wand pressure.

PROOF



Features - Back Panel

Remote Pairing

- Press the "On/Off" icon.
- Press and hold the "Dryer" icon. The bottom row of icons will flicker.
- While holding down the "Dryer" icon, Press the manual "Front" and "Rear" icons on the toilet.
- Once the bottom row of icons stops flickering, the remote is paired.

Seat Auto Open/Close Sensing Distance

- Press the "On/Off" icon.
- Press and hold the "Cover" icon.
- The night light will blink once quickly when the sensing distance is set for short distance.
- The night light will blink twice quickly when the sensing distance is set for mid distance.
- The night light will blink three times quickly when the sensing distance is set for long distance.
- The night light will blink slowly when the auto seat open/close function is deactivated.

Auto-flush

- Press the "On/Off" icon.
- Press and hold the "Flush-full" icon.
- The night light will blink once quickly when the automatic flushing function is activated.
- The night light will blink slowly when the automatic flushing function is deactivated.

Energy Saving

Features - Back Panel (cont.)

- Press the **"On/Off"** icon.
- Press and hold the **"Seat Temp"** icon.
- The night light will blink once quickly when the energy saving function is activated.
- The night light will blink slowly when the energy saving function is deactivated.

Deodorizer

- Press and hold the **"Seat "** icon for 2 seconds to enable or disable the deodorizer.
- The night light will blink once quickly when the deodorizer function is activated.
- The night light will blink slowly when the deodorizer function is deactivated.

Auto UV Sterilization

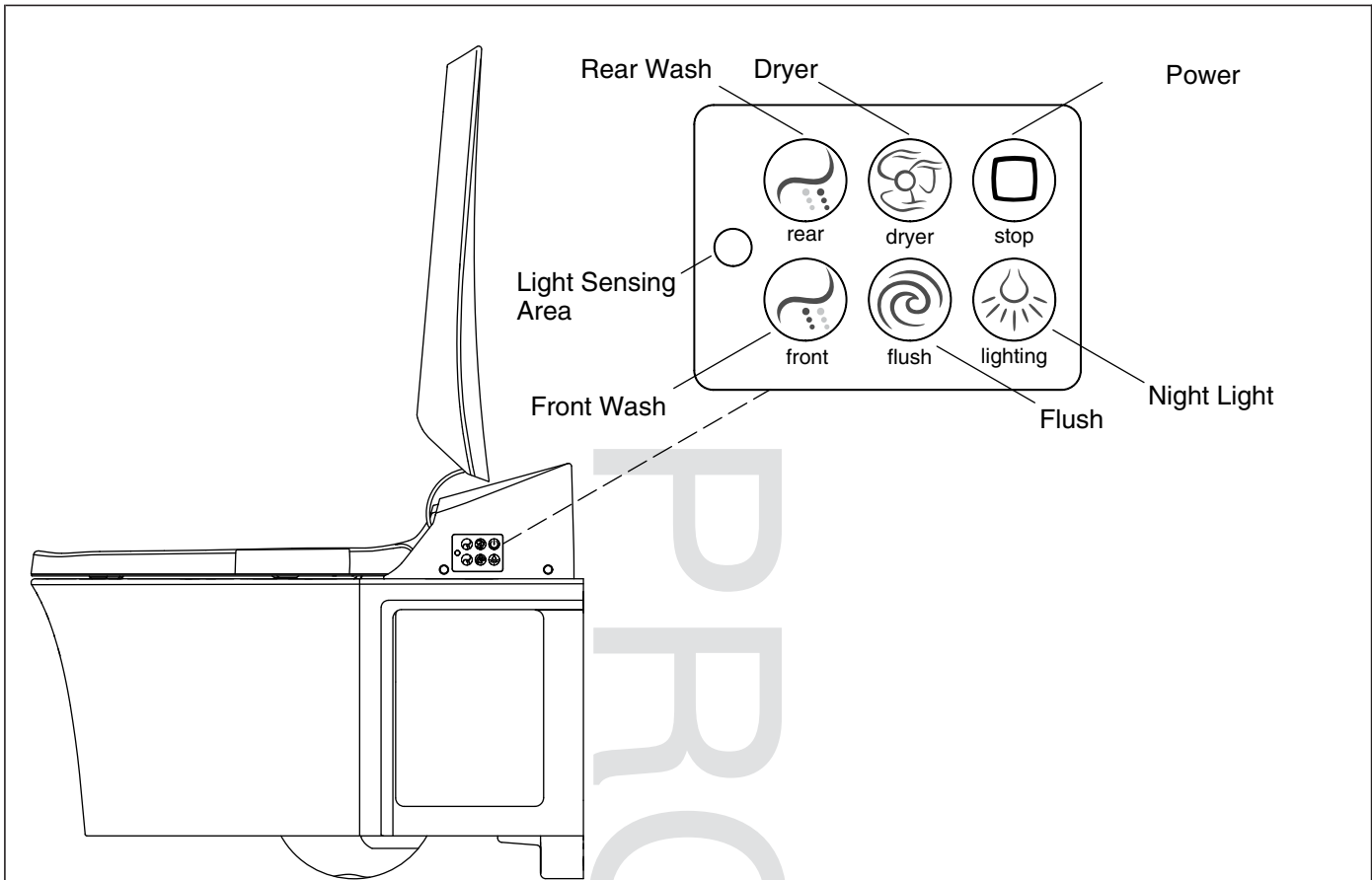
- Press the **"On/Off"** icon.
- Press and hold the **"Clean"** icon.
- The night light will blink once quickly when the automatic sterilization function is activated.
- The night light will blink slowly when the automatic sterilization function is deactivated.

Low Battery Remote Control

- When the **"Stop"** icon is blinking, the remote has low battery.
- Put the remote back onto the base to charge the battery.
- When the red light on the charging base is blinking the batteries need to be replaced.

Low Battery Charging Base

- When the red light is blinking, the charging base has a low battery.
- Remove the charging base from the wall.
- Open the back cover and replace the batteries.

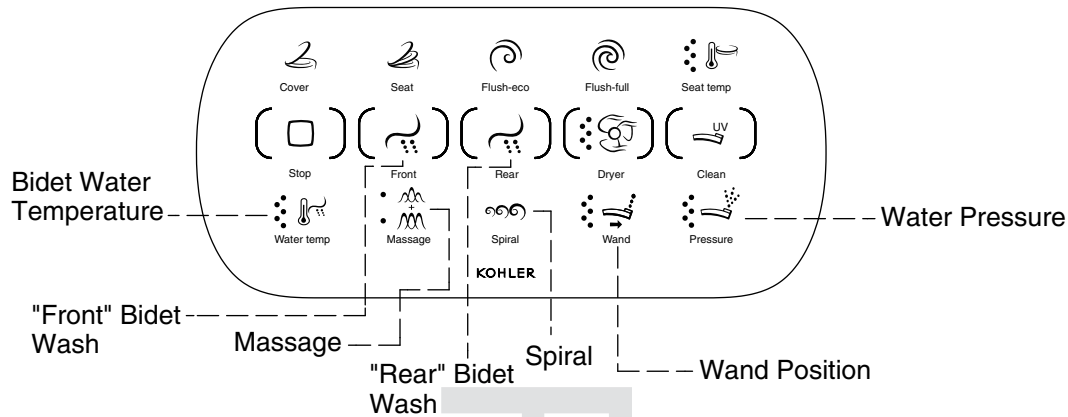


Manual Operation

The basic functions of the toilet can be controlled manually using the buttons located on the right side of toilet.

NOTE: When the manual bidet features are activated using the side buttons, they will default to the middle temperature, pressure, and position settings.

- **"Rear"** - Press the **"Rear"** icon to activate the rear wash. Press it a second time to stop the rear wash.
- **"Dryer"** - Press the **"Dryer"** icon to activate the dryer. Press it a second time to stop the dryer.
- **"Power"** - Press the **"Power"** icon to turn the power on. Press it a second time to turn the power off.
- **Light Level Sensor** - Senses low light levels. If it is activated, the night light will turn on when low light levels are sensed.
- **"Front"** - Press the **"Front"** icon to activate the front wash. Press it a second time to stop the front wash.
- **"Flush"** - Press the **"Flush"** icon to flush the toilet.
- **"Lighting"** - Press the **"Lighting"** icon to turn the night light off. Press it a second time to turn on the night light.



Using the Bidet Wash Functions

NOTE: The bidet function will automatically stop after 5 minutes.

Using the Front Bidet Wash

- Press the "Front" icon.
- Press the "Stop" icon to end.

Using the Rear Bidet Wash

- Press the "Rear" icon.
- Press the "Stop" icon to end.

Adjusting the Water Temperature

NOTE: Adjust the water temperature while the rear or front wash are in use.

- Press the "Water Temp" icon.
- Press the icon as needed to increase or decrease the water temperature.
- There are five settings available. The blue points to the left of the icon indicate the setting the water temperature is on.

Adjusting the Water Pressure

NOTE: Adjust the water pressure while the rear or front wash are in use.

- Press the "Pressure" icon.
- Press the icon as needed to increase or decrease the water pressure.
- There are five settings available. The blue points to the left of the icon indicate the setting the water pressure is on.

Adjusting the Wand Position

NOTE: Adjust the wand position while the rear or front wash are in use.

- Press the "Wand" icon.
- Press the icon as needed to increase or decrease the wand position.
- There are five settings available. The blue points to the left of the icon indicate the setting the wand position is in.

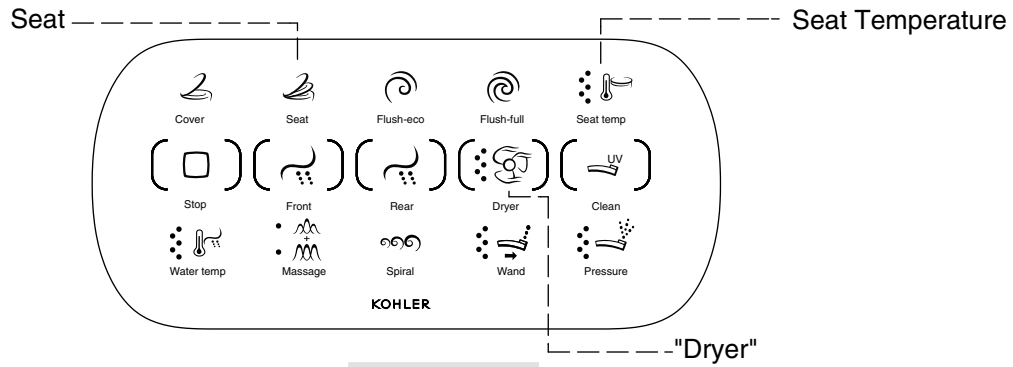
Massage and Spiral

Using the Bidet Wash Functions (cont.)

NOTE: Adjust the wand action to massage or spiral while the rear or front wash are in use.

- Select the **"Massage"** or **"Spiral"** icons.
- Press the **"Massage"** icon to choose between an oscillating action, pulsating action or both. The blue points to the left of the icon indicate the setting the massage action is in.

PROOF



Settings - User Profiles

Using the Dryer

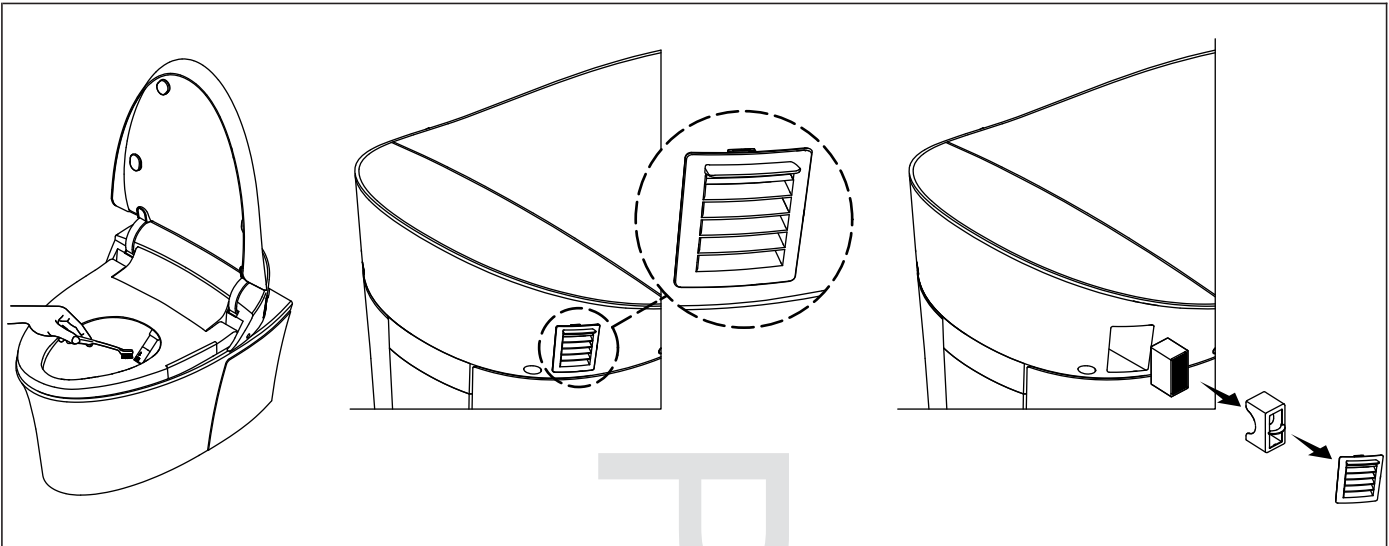
- Press the "Dryer" icon.
- Press the icon as needed to increase or decrease the dryer .
- There are five settings available. The blue points to the left of the icon indicate the setting the dryer is on.

Using the Deodorizer

- Press and hold the "Seat" icon.
- The night light will blink once quickly when the deodorizer is activated.
- The night light will blink once slowly when the deodorizer turns off.

Setting the Seat Temperature

- Press the "Seat Temp" icon.
- Press the icon as needed to increase or decrease the seat temperature.
- There are five settings available. The blue points to the left of the icon indicate the setting the seat temperature is on.



Using the Manual Clean Settings

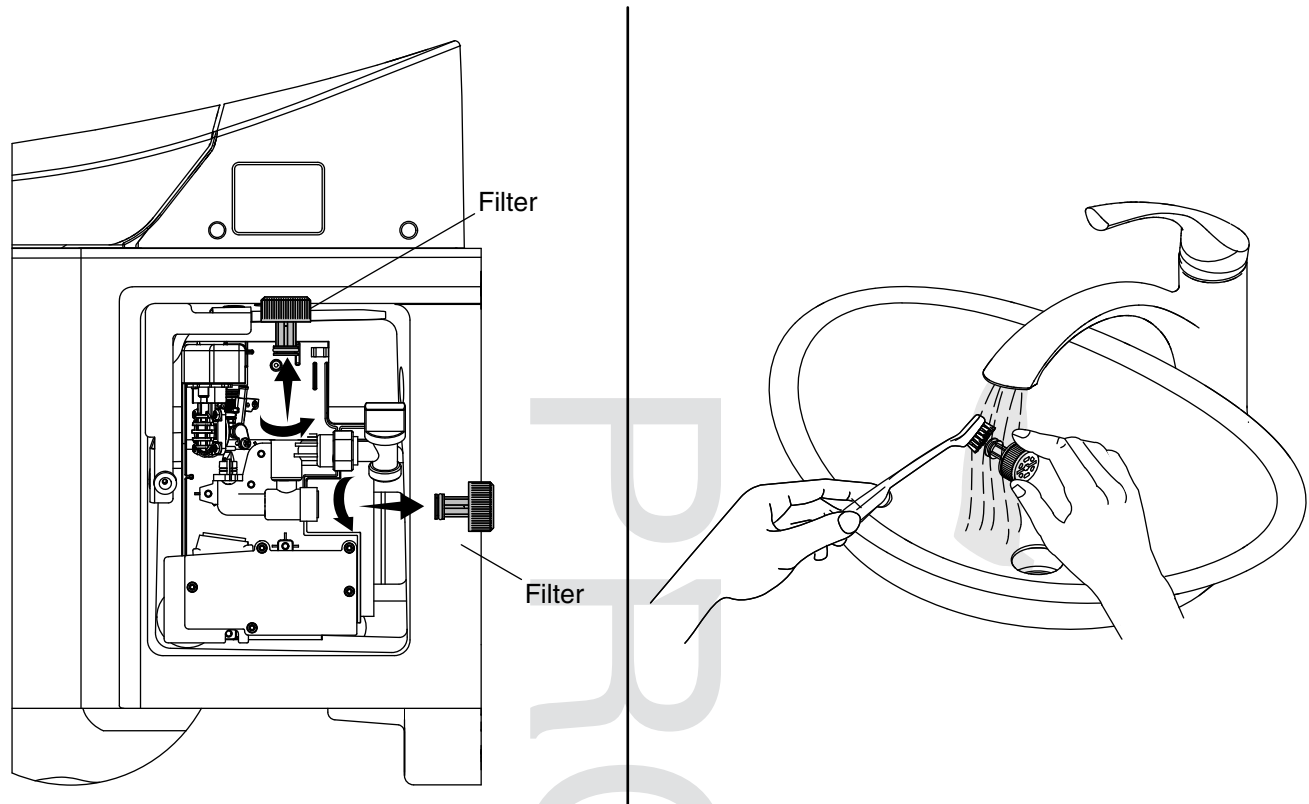
Cleaning the Bidet Wand

NOTE: Use a soft bristle brush to clean the bidet wand.

- On the remote control, hold down the **“Wand”** icon until the wand extends out.
- Clean the wand with a wet soft bristle brush and appropriate cleaner.
- Press and hold down the **“Wand”** icon again or the **“Stop”** icon to retract the wand.

Cleaning or Replacing the Deodorizer

- Unplug the power cord from the outlet.
- Turn off the water by closing the water supply stop.
- Remove the filter cover.
- Remove the filter and inspect it for damage.
- If the filter is damaged, replace it.
- If the filter is clogged, remove all debris.
- Install the filter.
- Install the cover.
- Open the supply stop.
- Plug the power cord into the outlet.



Servicing the Toilet

- Unplug the power cord from the outlet.
- Turn off the water by closing the water supply stop.
- Remove the left side cover.
- Remove the filter covers.
- Remove the filters and inspect them for damage.
- If the filters are damaged, replace them.
- If the filters are clogged, remove all debris.
- Install the filters.
- Install the covers.
- Reattach the left side cover.
- Open the supply stop.
- Plug the power cord into the outlet.

Care and Cleaning



WARNING: Risk of property or product damage. Do not use in-tank cleaners in your toilet. Products containing chlorine (calcium hypochlorite) can seriously damage fittings in the tank. This damage can cause leakage and property damage.

Kohler Co. shall not be responsible or liable for any tank fitting damage caused by the use of cleaners containing chlorine (calcium hypochlorite).

Care and Cleaning (cont.)

For best results, keep the following in mind when caring for your KOHLER product:

- Always test your cleaning solution on an inconspicuous area before applying to the entire surface.
- Wipe surfaces clean and rinse completely with water immediately after applying cleaner. Rinse and dry any overspray that lands on nearby surfaces.
- Do not allow cleaners to soak on surfaces.
- Use a soft, dampened sponge or cloth. Never use an abrasive material such as a brush or scouring pad to clean surfaces.
- **For Artist Edition Toilets:** Treat your decorative product just as you would treat your fine china. DO NOT use bristle brushes or abrasive-backed sponges. They will scratch decorative surfaces. Use only warm water to clean. Dry with a cotton cloth or soft sponge.

For detailed cleaning information and products to consider, visit www.kohler.com/clean. To order Care & Cleaning information, call 1-800-456-4537.

Troubleshooting Information

NOTE: For service parts information, visit your product page at www.kohler.com/serviceparts.

Small Children

- The auto flush and bidet features require a sensor located under the seat to be enabled. Small children may not be tall enough (approximately 48" (1.2 m)) to activate the sensor. The bidet and autoflush features will not function correctly when this sensor has not been activated.

General

Symptoms	Probable Causes	Recommended Action
1. The toilet has no power.	A. The power is not turned on.	A. Press the "Power" icon on the manual control panel.
	B. The power cord is not connected.	B. Connect the power cord.
	C. The GFCI or RCD is tripped.	C. Reset the GFCI or RCD (if applicable).
2. The toilet does not flush but has power.	A. There is no water being supplied to the toilet.	A. Open the water supply stop all the way.
	B. The water control assembly does not work.	B. Replace the water control assembly.
3. No water comes from the bidet wand or it has a weak stream when it is activated.	A. The water supply stop is closed or only partially open.	A. Open the water supply stop all the way.
	B. The inlet hose from the water supply stop to the toilet is kinked or looped too tight.	B. Remove the kink in the hose or make the loop wider.
	C. Seat sensor does not detect the user.	C. Small children may not be detected. Adjust the sitting position. The sensor may have difficulty with fabric or other objects. The sensor is designed to sense skin.
	D. The water supply screen is blocked or damaged.	D. Service the filter following the instructions in the Servicing the Toilet Filter section.
4. The heated seat is not warm at all or it is not as warm as desired.	A. The heated seat feature is not enabled.	A. Activate the heated seat feature using the remote control.
	B. The temperature setting is too low.	B. Adjust the heated seat temperature using the remote control.

Troubleshooting Information (cont.)		
Symptoms	Probable Causes	Recommended Action
5. Water stops flowing from the spray wand before you are finished cleansing.	A. Five minutes after pressing one of the spray icons, washing automatically stops.	A. Press the "Rear" or "Front" icon again.
6. Deodorizer feature is not working.	A. The deodorizer is not activated.	A. Activate the deodorizer feature using the remote control.
7. UV sterilization feature is not working.	A. The UV sterilization is not activated.	A. Activate the UV sterilization feature using the remote control.
8. The toilet does not flush automatically.	A. Automatic flush feature is not enabled.	A1. Activate the automatic flush feature using the remote control.
		A2. The sensor did not detect the user. If this issue occurs repeatedly, call the Customer Care Center using the information provided on the back page of this manual.
9. The night light does not turn on in low light conditions.	A. Night light is not enabled.	A. Enable the night light feature using the remote control.
	B. Low light sensor is not working properly.	B1. Clean the light sensor located on the manual control panel.
		B2. Call the Customer Care Center using the information provided on the back page of this manual.

Remote Control

Symptoms	Probable Causes	Recommended Action
1. The remote control is not turning on.	A. The batteries are not correctly installed.	A. Remove and reinstall the batteries.
	B. The batteries are drained.	B1. Replace the batteries.
		B2. Call the Customer Care Center using the information provided on the back page of this manual.
2. The remote control is not connecting with the toilet.	A. The remote is too far from the toilet to receive signal.	A. Move the remote closer to the toilet to regain connection.

Remote Control Compliance

FCC ID: N82-KOHLER015, N82-KOHLER018

IFT: Certification Number RCPKO1215-2233 and RCPKO1215-2234.

This device complies with Part 15 of the FCC Rules. Operation is subject to the following two conditions:

1. This device may not cause harmful interference, and
2. This device must accept any interference received, including interference that may cause undesired operation.

Changes or modifications not expressly approved by the party responsible for compliance could void the user's authority to operate the equipment.

NOTE: This equipment has been tested and found to comply with the limits for a Class B digital device, pursuant to Part 15 of the FCC Rules. These limits are designed to provide reasonable protection against harmful interference in a residential installation. This equipment generates, uses, and can radiate radio frequency energy and, if not installed and used in accordance with the instructions, may cause harmful interference to radio communications. However, there is no guarantee that interference will not occur in a

Remote Control Compliance (cont.)

particular installation. If this equipment does cause harmful interference to radio or television reception, which can be determined by turning the equipment off and on, the user is encouraged to try to correct the interference by one of the following measures:

- Reorient or relocate the receiving antenna.
- Increase the separation between the equipment and receiver.
- Connect the equipment into an outlet on a circuit different from that to which the receiver is connected.
- Consult the dealer or an experienced radio/TV technician for help.

Modifications: any modifications made to this device that are not approved by Kohler Co. may void the authority granted to the user by the FCC to operate this equipment.

RF Exposure Warning

This portable transmitter with its antenna complies with FCC's RF exposure limits for general population/uncontrolled exposure.

This device must not be co-located or operated in conjunction with any other antenna or transmitter.

CANADA IC: 4554A-KOHLER015, 4554A-KOHLER018

This device complies with Industry Canada licence-exempt RSS standard(s).

Operation is subject to the following two conditions:

1. This device may not cause interference, and
2. This device must accept any interference, including interference that may cause undesired operation of the device.

This portable transmitter with its antenna complies with Industry Canada RF Exposure Limits for General Population/Uncontrolled Exposure.

This Class B digital apparatus complies with Canadian ICES-003.

Le présent appareil est conforme aux CNR d'Industrie Canada applicables aux appareils radio exempts de licence.

Le fonctionnement de l'appareil est soumis aux deux conditions suivantes:

1. L'appareil ne doit pas produire de brouillage, et
2. Cet appareil doit tolérer les interférences reçues, y compris celles qui risquent de provoquer un fonctionnement indésirable.

Cet émetteur portable et son antenne sont conformes aux limites d'exposition RF d'Industrie Canada pour le public général/l'exposition non contrôlée.

Warranty**THREE YEAR LIMITED WARRANTY FOR VITREOUS CHINA COMPONENT****THREE YEAR LIMITED WARRANTY FOR MECHANICAL PARTS**

Kohler Co. warrants the vitreous china component on the KOHLER Numi toilet to be free of defects in material and workmanship during normal residential use for three (3) years from the date of installation. Kohler Co. will further warrant all mechanical parts in the KOHLER Numi toilet to be free of defects in material and workmanship during normal residential use for three (3) years from the date of installation. This warranty only applies to the KOHLER Numi toilet when installed in the United States of America and Canada.

If a defect is found in normal use, Kohler Co. will, at its election, repair, replace or make appropriate adjustment where Kohler Co. inspection discloses any such defects. Damage caused by accident, misuse or abuse is not covered by this warranty. This warranty expressly excludes labor charges, removal charges, installation, or other incidental or consequential costs. Improper care and cleaning will void the warranty.

Use of in-tank toilet cleaners will void the warranty. In no event shall the liability of Kohler Co. exceed the purchase price of the product.

Warranty (cont.)

If you believe that you have a warranty claim, contact your Dealer, Plumbing Contractor, Home Center or E-tailer, or by writing Kohler Co., Attn: Customer Care Center, 444 Highland Drive, Kohler, WI 53044, USA. Please be sure to provide all pertinent information regarding your claim, including a complete description of the problem, the product, model number, color, the date the product was purchased and from whom the product was purchased. Also include your original receipts. For other information or to obtain the name and address of the service and repair facility nearest you, call 1-800-4KOHLER (1-800-456-4537) from within the USA and Canada and 001-800-456-4537 from within Mexico.

KOHLER CO. AND/OR SELLER ARE PROVIDING THESE WARRANTIES IN LIEU OF ALL OTHER WARRANTIES, EXPRESS OR IMPLIED, INCLUDING BUT NOT LIMITED TO THE IMPLIED WARRANTIES OF MERCHANTABILITY AND FITNESS FOR A PARTICULAR PURPOSE. KOHLER CO. AND/OR SELLER DISCLAIM ANY LIABILITY FOR SPECIAL, INCIDENTAL OR CONSEQUENTIAL DAMAGES. Some states/provinces do not allow limitations on how long an implied warranty lasts, or the exclusion or limitation of special, incidental or consequential damages, so these limitations and exclusions may not apply to you. This warranty gives you specific legal rights. You may also have other rights which vary from state/province to state/province.

This is Kohler Co.'s exclusive written warranty.

PROOF

PROOF

PROOF

USA/Canada: 1-800-4KOHLER

México: 001-800-456-4537

kohler.com

THE BOLD LOOK
OF **KOHLER**®

©2016 Kohler Co.

1247364-5-A