

# Homeowners Guide

## Cleansing Seat

Français, page "Français-1"  
Español, página "Español-1"

THE BOLD LOOK  
OF **KOHLER**®

1341257-5-A

# IMPORTANT SAFEGUARDS

## READ ALL INSTRUCTIONS BEFORE USING

When using electrical products, especially when children are present, basic safety precautions should always be followed, including the following:



**WARNING: Risk of personal injury.** Do not remove the UV lamp protective cover. Eye damage may result from viewing the UV light directly. Always be certain the lamp is off before opening the protective cover.



**CAUTION: Risk of personal injury.** Replacement of the UV lamp must only be performed by qualified service personnel.

**IMPORTANT! Risk of product damage.** Do not install this product in a location exposed to excessive moisture where condensation might form on the product surface. Provide adequate ventilation when bathing to avoid damage to the electronic components due to high humidity levels.

**IMPORTANT! Risk of product or property damage.** Pushing or pulling on the water connection may cause water leakage.

**IMPORTANT! Risk of product damage.** Do not apply excessive force to the spray wands.

**IMPORTANT! Risk of product damage.** In areas where water may freeze in the pipes, make arrangements to keep the pipes warm. Any water remaining in the seat may freeze during winter storage. Allow the unit to warm to room temperature before reinstalling or using.

**IMPORTANT! Risk of product damage.** Do not supply electrical power to the unit until the plumbing installation work has been completed, as it may cause the product to malfunction.

**NOTE:** The thermal protectors may trip during storage or transportation in warm weather causing the unit to not operate. Allow the unit to cool to room temperature before installation or operation.

## IMPORTANT SAFEGUARDS (cont.)



### **DANGER: To reduce the risk of electrocution:**

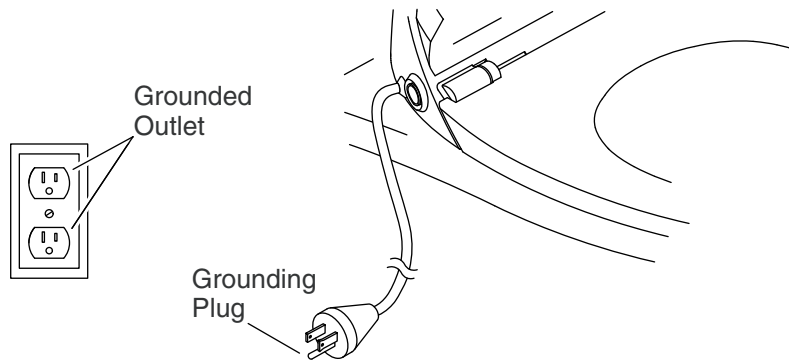
- Do not place or store this product where it can fall or be pulled into a bath or sink.
- Do not place in or drop into water or other liquid.
- Do not reach for a product that has fallen into water. Unplug immediately.



### **WARNING: To reduce the risk of burns, electrocution, fire, or injury to persons:**

- Close supervision is necessary when this product is used by or near children, the elderly, or invalids. Adjust the temperature of the seat for the elderly, those who are incapacitated, or persons with sensitive skin.
- Use this product only for its intended use as described in this manual. Only use attachments recommended by Kohler Co.
- Never operate this product if it has a damaged cord or plug, if it is not working properly, if it has been dropped, damaged, or dropped into water. Return the product for examination and repair.
- Keep the cord away from heated surfaces.
- Never block the air openings of the product or place it on a soft surface, such as a bed or couch, where the air openings may be blocked. Keep the air openings free of lint, hair, and the like.
- Never use while sleeping or drowsy.
- Never drop or insert any object into any opening or hose.
- Do not use outdoors or where aerosol spray products are being used or where oxygen is administered.
- Connect this product to a properly grounded outlet only. See the "Grounding Instructions" section.
- This product conforms to applicable provisions of US 21 CFR, Chapter 1, Subchapter J, Radiological Health.

**SAVE THESE INSTRUCTIONS**



## Wiring Requirements



**WARNING: Risk of electric shock, fire, or personal injury.**

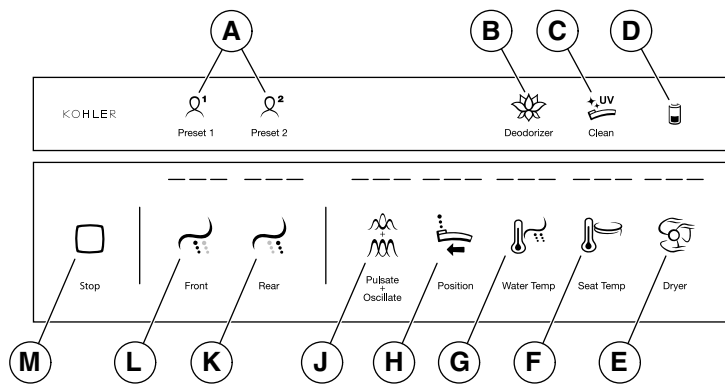
This product must be grounded and connected only to a dedicated, nominal 120 VAC, 60 Hz circuit protected by a minimum 15 A Ground-Fault Circuit-Interrupter (GFCI) or Residual Current Device (RCD).

- This product should be grounded. In the event of an electrical short circuit, grounding reduces the risk of electric shock by providing an escape wire for the electric current. This product is equipped with a cord having a grounding wire with a grounding plug. The plug must be plugged into an outlet that is properly installed and grounded.

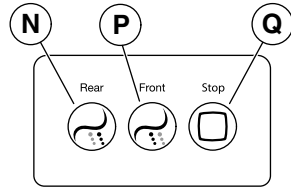


**DANGER: Risk of electric shock.** Improper use of the grounding plug can result in a risk of electric shock.

- If repair or replacement of the cord or plug is necessary, do not connect the grounding wire to either flat blade terminal. The wire with insulation having an outer surface that is green with or without yellow stripes is the grounding wire.
- Check with a qualified electrician or service personnel if the grounding instructions are not completely understood, or if in doubt whether the product is properly grounded.
- Do not use an extension cord with this product.



### Remote Control



### Panel

## Remote Control Operation

**NOTE:** For features with multiple settings, press the icon to move the setting one level higher. If the feature is set at the highest level, pressing the icon will deactivate it or adjust it to a lower setting.

**NOTE:** Make sure that four AA batteries are installed correctly in the remote control.

- **A - Preset 1 and Preset 2:** The presets allow two users to save their feature settings. When "Preset 1" or "Preset 2" are selected, the saved preferences will activate. Refer to the "User Presets" sections below.
- **B - Deodorizer:** Press the "Deodorizer" icon to activate the deodorizer. Press the "Stop" icon to deactivate. To disable this feature, press and hold the "Deodorizer" icon for 3 seconds.
- **C - Clean:** To activate the 45-minute UV disinfecting cycle, press the "Clean" icon. Lifting the seat lid ends the process. Automatic UV disinfection reactivates every 24 hours. To disable this feature, press and hold the "Clean" icon for 3 seconds.

## Remote Control Operation (cont.)

- **D - Battery Indicator:** Shows the status of the battery charge. When the battery is at 100%-50% charge, the icon is off. When the battery is at 49%-20% charge, the icon flashes for 4 seconds after the last icon is pushed. When the battery is at 19% or less charge, the icon glows for 4 seconds after the last icon is pushed.
- **E - Dryer:** Press the "Dryer" icon once to activate the dryer. Press again to increase the air temperature. There are six settings.
- **F - Seat Temp:** Press the "Seat Temp" icon to activate the heated seat. Press again to increase the temperature. There are five settings.
- **G - Water Temp:** Press the "Water Temp" icon to adjust the water spray temperature. There are five settings.
- **H - Position:** Press the "Position" icon to adjust the wand position when front or rear wash is active. There are five settings.
- **J - Pulsate + Oscillate:** When front or rear wash is active, press the "Pulsate + Oscillate" icon once to oscillate the wand back and forth. Press again to pulsate the water flow. Press a third time to oscillate and pulsate simultaneously. Press again to turn off the feature.
- **K - Rear:** Press the "Rear" icon to activate the rear wash feature and adjust the rear wash water pressure.
- **L - Front:** Press the "Front" icon to activate the front wash feature and adjust the front wash water pressure.
- **M - Stop:** Press the "Stop" icon to stop the front wash, rear wash, and dryer features.
- **N - Rear:** Press the "Rear" icon to activate the rear wash feature and adjust the rear wash water pressure.
- **P - Front:** Press the "Front" icon to activate the front wash feature and adjust the front wash water pressure.
- **Q - Stop:** Press the "Stop" icon to stop the front wash, rear wash, and dryer features.

### Setting the User Presets

**NOTE:** The presets allow two users to save their feature settings. When "Preset 1" or "Preset 2" are selected, the saved preferences will activate.

- While seated, adjust the seat features to your preferences.

### Remote Control Operation (cont.)

- Press and hold the "Preset 1" or "Preset 2" icon for 3 seconds to save activated features at the current settings.
- To change a setting, adjust the front wash, rear wash, or dryer feature while the preset is in use. Press and hold the "Preset 1" or "Preset 2" icon for 3 seconds to store the new setting to memory.

### Using the User Presets

- Press the "Preset 1" or "Preset 2" icon while you are seated to activate front wash, rear wash, dryer temperature and speed, and seat temperature at your stored settings.
- If the "Preset 1" or "Preset 2" icon is pressed while the seat is not occupied, the seat will gradually (approximately 2 minutes) change to the preset temperature.
- To reset or delete a preset, press and hold the "Preset 1" or "Preset 2" and the "Stop" icons at the same time for three seconds.

### Nightlight

- To turn off the nightlight, press and hold the "Stop" icon for three seconds.
- To disable the nightlight, press and hold the "Front" icon for three seconds.

### Pairing a Remote Control

- A new remote control must be paired with the seat before use.
- Only one remote control can be paired with the seat at a time.
- Bring the new remote control near the seat.
- Make sure that all other remote controls have been removed from the area of the seat.
- Press and hold the "Dryer" icon until the icon flashes.
- Simultaneously press and hold the "Front" and "Rear" icons on the seat until a beep is heard.
- When the "Dryer" icon on the remote control stops flashing and the "Preset 1" and "Preset 2" icons are no longer illuminated, the remote control has been successfully paired with the seat.

## Care and Cleaning

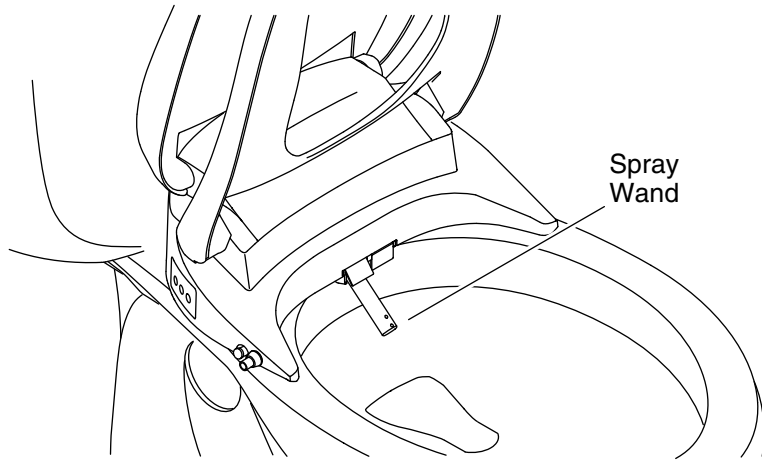
For best results, keep the following in mind when caring for your KOHLER product:

**IMPORTANT! Do not immerse product in water.**

- Always test your cleaning solution on an inconspicuous area before applying to the entire surface.
- Use a soft, dampened sponge or cloth to wipe surfaces clean. Remove the cleaner quickly after applying. Rinse and dry any overspray that lands on nearby surfaces.
- Do not allow cleaners to soak on surfaces.
- Never use an abrasive material such as a brush or scouring pad to clean surfaces.

For detailed cleaning information and products to consider, visit [kohler.com/clean](http://kohler.com/clean). To order Care & Cleaning information, call 1-800-456-4537.

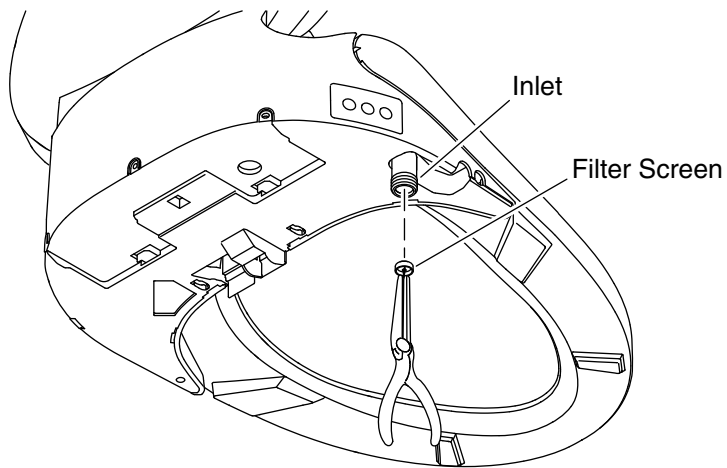




### Cleaning the Wand

**NOTE:** The spray wand can only be extended for cleaning when the seat is not activated or occupied.

- Raise the lid and seat.
- Press the **"Position"** icon on the panel to extend the wand forward for cleaning.
- Clean the spray wand with a soft-bristled brush and hot water.
- Press the **"Position"** icon again to retract the wand.



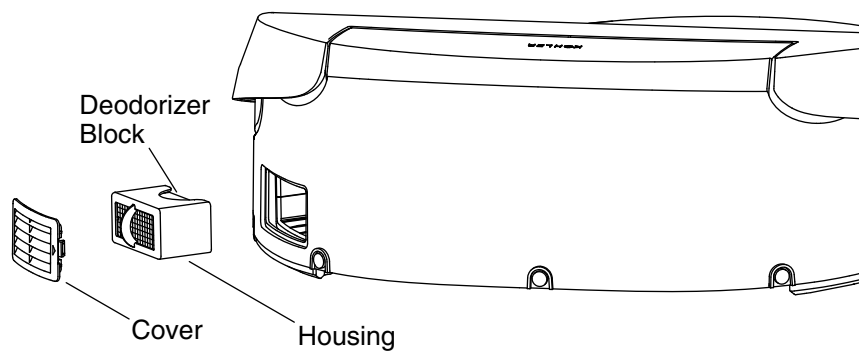
### Cleaning the Screen

**NOTE:** Clean the filter screen every 6 months or when there is a reduction in the maximum water flow from the spray wand.

- Turn off the water at the supply stop.
- Press the release button to disengage the seat from the mounting bracket. Refer to the "Removing the Seat" Section.
- Slide the seat forward to allow access to the hose inlet.
- Disconnect the water supply hose from the seat connection.
- Using long-nosed pliers, carefully remove the filter screen from the inlet.
- Clean the filter screen with a soft-bristled brush.
- Reinstall the filter screen.

**CAUTION: Risk of product damage.** Do not cross-thread the hose connection to the inlet.

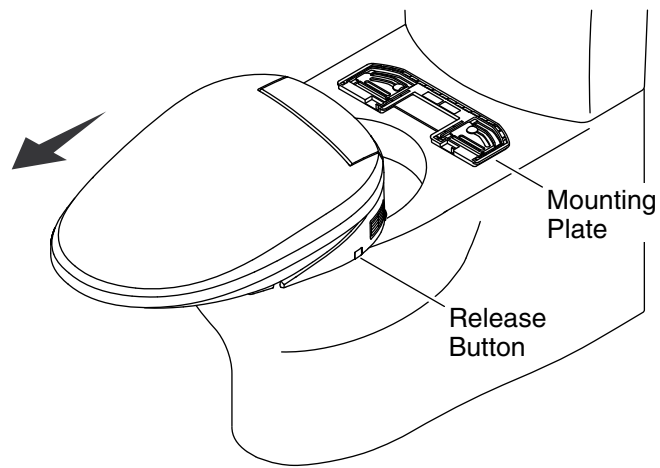
- Reconnect the water supply hose to the inlet, one-quarter turn past hand tight.
- Reinstall the seat.
- Turn on the water supply.
- Check all connections for leaks, and make any adjustments as needed.



### Replacing the Deodorizer

**NOTE:** The deodorizer should be replaced every two years or when the deodorizing performance decreases.

- Remove the cover.
- Carefully remove the deodorizer housing from the seat.
- Remove the deodorizer block from the housing.
- Insert the new deodorizer block in the housing.
- Reinstall the housing into the seat.
- Reinstall the cover.



## Removing the Seat

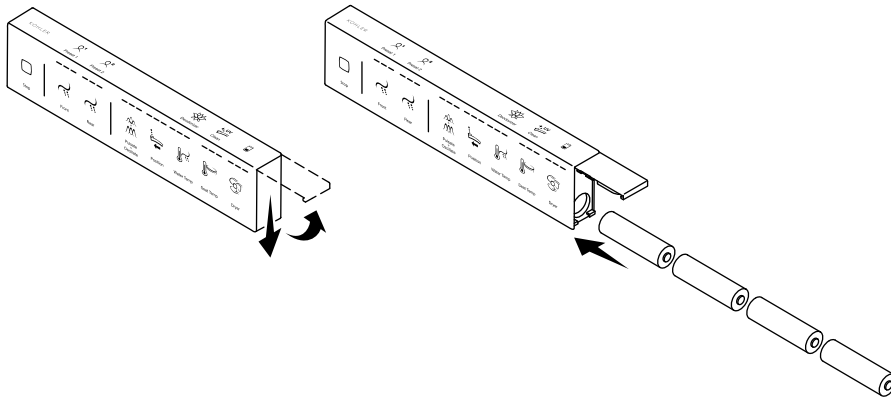
### For Cleaning

**IMPORTANT!** When removing the seat for cleaning, take care to avoid exerting any force on the hose connections.

- Press the release button.
- Slide the seat forward to access the area around the mounting plate. Avoid putting pressure on the hoses.
- Clean the area as needed.
- To reinstall, slide the seat back until it engages the mounting plate.

### For Servicing

- Turn off the water at the supply stop.
- Flush the toilet to relieve any pressure from the supply hose.
- Unplug the power cord from the electrical outlet.
- Disconnect the water supply hose from the T-valve.
- Press the release button.
- Slide the seat forward to disengage from the mounting plate.
- When servicing is complete, reinstall the seat and reconnect all components.



### Servicing the Batteries

- Remove the remote control from the remote dock.
- Open the door to the battery compartment.
- Remove the batteries.
- Install the replacement batteries, oriented as shown.
- Close the door to the battery compartment.
- Reinstall the remote control to the remote dock.

### Troubleshooting

This troubleshooting guide is for general aid only. A Kohler Co. Authorized Service Representative (ASR) or qualified electrician should correct any electrical problems.

For warranty service, contact the Customer Care Center using the numbers located on the back page of this manual.

### Cleansing Features

Symptoms	Probable Causes	Recommended Action
1. The seat features are not working.	A. A power failure has occurred.	A. Wait until power is restored.
	B. The power cord is unplugged.	B. Plug the power cord into a GFCI or RCD electrical outlet.

<b>Troubleshooting (cont.)</b>		
<b>Cleansing Features</b>		
<b>Symptoms</b>	<b>Probable Causes</b>	<b>Recommended Action</b>
	<b>C.</b> The Ground-Fault Circuit-Interrupter (GFCI) or Residual Current Device (RCD) is tripped.	<b>C.</b> Reset the GFCI or RCD.
	<b>D.</b> The user is not detected by the seat sensor.	<b>D1.</b> Small children may be too light to be detected by the sensor.
		<b>D2.</b> Shift your position on the seat. The sensor is located on the front of the seat.
<b>2.</b> The seat is loose.	<b>A.</b> The mounting plate fasteners are loose.	<b>A.</b> Tighten the fasteners. Refer to the Installation Guide.
<b>3.</b> Water stops flowing from the spray wand before cleansing is complete.	<b>A.</b> Washing automatically stops 1 minute after pressing a spray icon.	<b>A.</b> Press the " <b>Front</b> " or " <b>Rear</b> " icon to restart cleansing.
	<b>B.</b> The user shifted position and is no longer detected by the seat sensor.	<b>B.</b> Shift your position on the seat. The sensor is located on the front of the seat.
<b>Remote Compliance</b>		
Remote and product FCC ID IC		
Remote FCC ID : N82-KOHLER024 Remote IC : 4554A-KOHLER024		
Product FCC ID : N82-KOHLER025 Product IC : 4554A-KOHLER025		
FCC Statements: This device complies with Part 15 of the FCC Rules. Operation is subject to the following two conditions: (1) This device may not cause harmful interference, and (2) This device must accept any interference received, including interference that may cause undesired operation.		

## Remote Compliance (cont.)

Note: This product has been tested and found to comply with the limits for a Class B digital device, pursuant to Part 15 of the FCC Rules. These limits are designed to provide reasonable protection against harmful interference in a residential installation. This product generates, uses, and can radiate radio frequency energy and, if not installed and used in accordance with the instructions, may cause harmful interference to radio communications. However, there is no guarantee that interference will not occur in a particular installation. If this product does cause harmful interference to radio or television reception, which can be determined by turning the equipment off and on, the user is encouraged to try to correct the interference by one or more of the following measures:

- Reorient or relocate the receiving antenna.
- Increase the separation between the equipment and receiver.
- Connect the equipment into an outlet on a circuit different from that to which the receiver is connected.
- Consult the dealer or an experienced radio/TV technician for help.

Please take attention that changes or modification not expressly approved by the party responsible for compliance could void the user's authority to operate the equipment.

### IC Statements

This device complies with Industry Canada licence-exempt RSS standard(s). Operation is subject to the following two conditions:

- (1) this device may not cause interference, and
- (2) this device must accept any interference, including interference that may cause undesired operation of the device.

Under Industry Canada regulations, this radio transmitter may only operate using an antenna of a type and maximum (or lesser) gain approved for the transmitter by Industry Canada. To reduce potential radio interference to other users, the antenna type and its gain should be so chosen that the equivalent isotropically radiated power (e.i.r.p.) is not more than that necessary for successful communication.

## Warranty

### **KOHLER Intelligent Toilet and C3 Cleansing Seat Three-Year Limited Warranty**

Kohler Co. warrants that its toilets with integrated cleansing functionality ("Intelligent Toilets") and electric cleansing seats will be free of defects in material and workmanship during normal residential use for three years from the date the product is installed. This warranty applies only to intelligent toilets and electric cleansing seats installed in the United States of America, Canada and Mexico ("North America").

If a defect is found in normal residential use, Kohler Co. will, at its election, repair, provide a replacement part or product, or make appropriate adjustment where Kohler Co.'s inspection discloses any such defect. Damage caused by accident, misuse, or abuse is not covered by this warranty. Improper care and cleaning will void the warranty\*. Proof of purchase (original sales receipt) must be provided to Kohler Co. with all warranty claims. Kohler Co. is not responsible for labor charges, installation, or other incidental or consequential costs other than those noted above. In no event shall the liability of Kohler Co. exceed the purchase price of the intelligent toilet or electric cleansing seat.

If the intelligent toilets or electric cleansing seats are used commercially or are installed outside of North America, Kohler Co. warrants that the intelligent toilet or electric cleansing seat will be free from defects in material and workmanship for one (1) year from the date the product is installed, with all other terms of this warranty applying except duration.

If you believe that you have a warranty claim, contact your Home Center, Dealer, Plumbing Contractor or E-tailer. Please be sure to provide all pertinent information regarding your claim, including a complete description of the problem, the product, model number, the date the product was purchased, from whom the product was purchased and the installation date. Also include your original invoice. For other information, or to obtain the name and address of the service and repair facility nearest you, write Kohler Co., Attn: Customer Care Center, Kohler, Wisconsin 53044 USA, or by calling 1-800-4-KOHLER (1-800-456-4537) from within the USA and Canada, and 001-800-456-4537 from within Mexico, or visit [www.kohler.com](http://www.kohler.com) within the USA, [www.ca.kohler.com](http://www.ca.kohler.com) from within Canada, or [www.mx.kohler.com](http://www.mx.kohler.com) in Mexico.

THE FOREGOING WARRANTIES ARE IN LIEU OF ALL OTHER WARRANTIES, EXPRESS OR IMPLIED, INCLUDING BUT NOT LIMITED TO THE IMPLIED WARRANTIES OF MERCHANTABILITY AND FITNESS FOR A PARTICULAR PURPOSE. KOHLER CO. AND/OR SELLER DISCLAIM ANY LIABILITY FOR SPECIAL, INCIDENTAL OR CONSEQUENTIAL DAMAGES.



### **Warranty (cont.)**

**Some states/provinces do not allow limitations of how long an implied warranty lasts or the exclusion or limitation of such damages, so these limitations and exclusions may not apply to you. This warranty gives the consumer specific legal rights. You may also have other rights that vary from state/province to state/province. This warranty is to the original consumer purchaser only, and excludes product damage due to installation error, product abuse, or product misuse, whether performed by a contractor, service company, or the consumer.**

**This is Kohler Co.'s exclusive written warranty.**

\* Never use cleaners containing abrasive cleansers, ammonia, bleach, acids, waxes, alcohol, solvents or other products not recommended for stainless steel or polypropylene plastic. This will void the warranty.

## Mesures de sécurité importantes

### LIRE TOUTES LES INSTRUCTIONS AVANT UTILISATION

Lors de l'utilisation de produits électriques, et en particulier en présence d'enfants, toujours observer les mesures de sécurité fondamentales, notamment:



**AVERTISSEMENT: Risque de blessures.** Ne pas retirer le couvercle de protection de la lampe UV. Les yeux pourraient subir des lésions lorsque l'on regarde directement dans la lumière UV. Toujours s'assurer que la lampe est éteinte avant d'ouvrir le couvercle de protection.



**ATTENTION: Risque de blessures.** Le remplacement de la lampe UV peut seulement être effectué par un personnel d'entretien qualifié.

**IMPORTANT! Risque d'endommagement du produit.** Ne pas installer ce produit dans un emplacement exposé à un excès d'humidité et où de la condensation pourrait se former sur la surface du produit. Fournir une ventilation adéquate lors des bains afin d'éviter d'endommager les composants électroniques en raison de niveaux d'humidité élevés.

**IMPORTANT! Risque d'endommagement du produit ou de dommages matériels.** Des fuites d'eau pourraient se produire si l'on pousse ou tire sur le raccord d'eau.

**IMPORTANT! Risque d'endommagement du produit.** Ne pas appliquer de force excessive sur les baguettes de vaporisation.

**IMPORTANT! Risque d'endommagement du produit.** Prendre les mesures nécessaires pour maintenir les tuyaux au chaud dans les régions où l'eau pourrait geler dans les tuyaux. Toute l'eau qui reste dans le siège pourrait geler pendant l'entreposage en hiver. Laisser le dispositif se réchauffer à la température ambiante avant de le réinstaller ou de l'utiliser.

## Mesures de sécurité importantes (cont.)

**IMPORTANT! Risque d'endommagement du produit.** Ne pas fournir d'alimentation électrique au dispositif avant d'avoir effectué le travail d'installation de la plomberie, étant donné que cela pourrait créer des problèmes de fonctionnement.

**REMARQUE:** Les protecteurs thermiques pourraient se déclencher pendant l'entreposage ou le transport par temps chaud, et le dispositif ne fonctionnera pas. Laissez le dispositif se refroidir à la température ambiante avant de l'installer ou de l'utiliser.



### **DANGER: Pour réduire le risque d'électrocution:**

- Ne pas placer ou entreposer ce produit dans un endroit où il pourrait tomber ou d'où il pourrait être tiré et tomber dans une baignoire ou un lavabo.
- Ne pas placer et ne pas laisser tomber ce dispositif dans de l'eau ou un autre liquide.
- Ne pas essayer de récupérer un produit qui est tombé dans de l'eau. Débrancher le dispositif immédiatement.



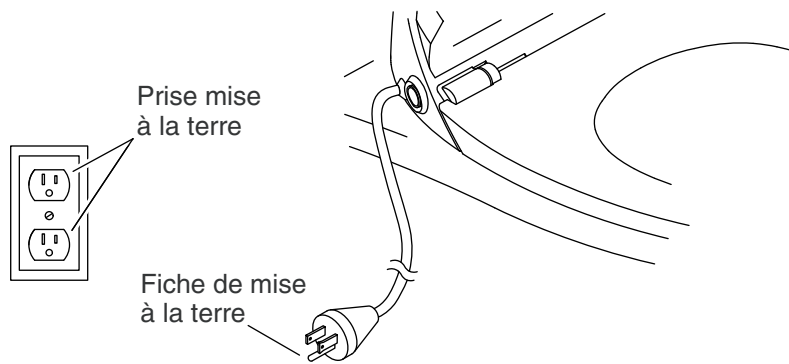
### **AVERTISSEMENT: Pour réduire le risque de brûlures, d'électrocution, d'incendie ou de blessures personnelles:**

- Il est nécessaire de superviser de près lorsque ce produit est utilisé par des enfants, des personnes âgées ou invalides, ou lorsqu'il se trouve dans leur proximité. Ajuster la température du siège pour les personnes âgées, les personnes frappées d'incapacité, ou les personnes dont la peau est sensible.
- Utiliser ce produit uniquement pour l'usage auquel il est destiné, tel que décrit dans ce manuel. Uniquement utiliser des accessoires recommandés par Kohler Co.
- Ne jamais faire fonctionner ce produit si son cordon ou sa prise sont endommagés, s'il ne fonctionne pas correctement, s'il est tombé, s'il est endommagé, ou s'il est tombé dans de l'eau. Retourner le produit pour le faire examiner et réparer.
- Tenir le cordon à distance de surfaces chauffées.
- Ne jamais bloquer les ouvertures d'air du produit et ne jamais le placer sur une surface molle, comme un lit ou un divan, à un emplacement où les ouvertures d'air pourraient être bloquées. S'assurer de l'absence de peluches, de cheveux ou d'autres éléments similaires sur les ouvertures d'air.

### **Mesures de sécurité importantes (cont.)**

- ❑ Ne jamais utiliser ce dispositif lorsque l'on dort ou si l'on se sent somnolent.
- ❑ Ne jamais faire tomber ou insérer un objet quelconque dans une ouverture ou un tuyau.
- ❑ Ne pas utiliser ce dispositif à l'extérieur et ne pas le faire fonctionner en présence de produits aérosols ou si l'on administre de l'oxygène.
- ❑ Connecter ce produit à une prise mise à la terre de manière adéquate uniquement. Voir la section "Instructions de mise à la terre".
- ❑ Ce produit est conforme aux conditions applicables de l'US 21 CFR, Chapitre 1, Sous-chapitre J, Hygiène radiologique.

## **CONSERVER CES INSTRUCTIONS**



## Câblage requis



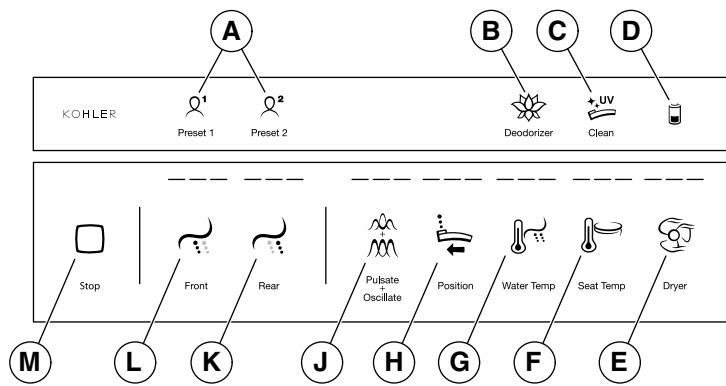
**AVERTISSEMENT: Risque de choc électrique, d'incendie, ou de blessures corporelles.** Ce produit doit être mis à la terre et connecté uniquement à un circuit nominal dédié de 120 V c.a., 60 Hz protégé par un disjoncteur de fuite de terre (GFCI) ou par un dispositif à courant résiduel (RCD) de 15 A minimum.

- Ce produit doit être mis à la terre. En cas de court-circuit électrique, la mise à la terre réduit le risque de choc électrique en fournissant un câble d'échappement pour le courant électrique. Ce produit est équipé d'un cordon muni d'un câble de mise à la terre avec une fiche de mise à la terre. Cette fiche doit être branchée dans une prise installée et mise à la terre de manière adéquate.

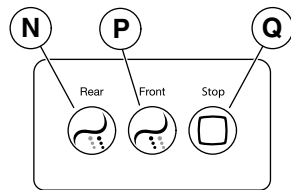


**DANGER: Risque de choc électrique.** L'utilisation incorrecte de la fiche de mise à la terre peut résulter en risque de choc électrique.

- S'il est nécessaire de remplacer le cordon ou la fiche, ne pas brancher le câble de mise à la terre à l'une des bornes à lame plate. Le câble avec isolation dont l'extérieur est vert avec ou sans rayures jaunes est le câble de mise à la terre.
- Vérifier auprès d'un électricien qualifié ou d'un dépanneur si les instructions de mise à la terre ne sont pas bien comprises ou en cas de doute sur la mise à la terre adéquate du produit.
- Ne pas utiliser de cordon de rallonge avec ce produit.



**Télécommande**



**Panneau**

## Fonctionnement de la télécommande

**REMARQUE:** Pour les fonctions avec plusieurs réglages, appuyer sur l'icône pour déplacer le réglage à un niveau supérieur. Si la fonction est réglée au niveau le plus élevé, elle se désactive si l'on appuie sur l'icône, ou ajuster la fonction à un réglage inférieur.

**REMARQUE:** S'assurer que quatre piles AA sont installées correctement dans la télécommande.

- **A - Préréglage 1 et Préréglage 2:** Les préréglages permettent à deux utilisateurs d'enregistrer leurs réglages des fonctions. Lorsque les options "**Préset 1**" (**Préréglage 1**) ou "**Préset 2**" (**Préréglage 2**) sont sélectionnées, les préférences enregistrées sont activées. Se reporter aux sections "Préréglages utilisateur" ci-dessous.
- **B - Désodorisant:** Appuyer sur l'icône "**Désodorisant**" pour activer le désodorisant. Appuyer sur l'icône "**Stop**" pour désactiver. Pour désactiver cette fonction, appuyer sur l'icône "**Deodorizer**" (**Désodorisant**) et continuer à appuyer pendant 3 secondes.

## Fonctionnement de la télécommande (cont.)

- **C - Nettoyer:** Pour activer le cycle de désinfection par UV de 45 minutes, appuyer sur l'icône "**Clean**" (**Nettoyer**). Le processus s'arrête lorsque l'on relève le couvercle du siège. La désinfection automatique par UV se réactive toutes les 24 heures. Pour désactiver cette fonction, appuyer sur l'icône "**Clean**" (**nettoyer**) et continuer à appuyer pendant 3 secondes.
- **D - Indicateur de batterie:** Indique l'état de charge de la batterie. Lorsque la batterie est à une charge de 100%-50%, l'icône est désactivée. Lorsque la batterie est à une charge de 49%-20%, l'icône clignote pendant 4 secondes une fois que l'on a appuyé sur la dernière icône. Lorsque la batterie est à une charge de 19% ou moins, l'icône brille pendant 4 secondes une fois que l'on a appuyé sur la dernière icône.
- **E - Séchoir:** Appuyer sur l'icône "**Dryer**" (**Séchoir**) une fois pour activer le séchoir. Appuyer de nouveau pour augmenter la température de l'air. Six réglages sont possibles.
- **F - Temp siège:** Appuyer sur l'icône "**Seat Temp**" (**Temp siège**) pour activer le siège chauffé. Appuyer de nouveau pour augmenter la température. Cinq réglages sont possibles.
- **G - Temp de l'eau:** Appuyer sur l'icône "**Water Temp**" (**Temp de l'eau**) pour ajuster la température de vaporisation d'eau. Cinq réglages sont possibles.
- **H - Position:** Appuyer sur l'icône "**Position**" pour ajuster la position de la baguette lorsque le lavage avant ou arrière est activé. Cinq réglages sont possibles.
- **J - Pulsation + Oscillation:** Lorsque le nettoyage avant ou arrière est activé, appuyer une fois sur l'icône "**Pulsate + Oscillate**" (**Pulsation + Oscillation**) pour faire osciller la baguette vers l'avant et vers l'arrière. Appuyer de nouveau pour pulser le débit d'eau. Appuyer une troisième fois pour osciller et pulser simultanément. Appuyer de nouveau pour arrêter la fonction.
- **K - Arrière:** Appuyer sur l'icône "**Rear**" (**Arrière**) pour activer la fonction de lavage arrière et ajuster la pression d'eau de lavage arrière.
- **L - Avant:** Appuyer sur l'icône "**Front**" (**Avant**) pour activer la fonction de lavage avant et ajuster la pression d'eau de lavage avant.
- **M - Arrêt:** Appuyer sur l'icône "**Stop**" pour arrêter le lavage avant, le lavage arrière, et les fonctions de séchage.

## Fonctionnement de la télécommande (cont.)

- **N - Arrière:** Appuyer sur l'icône "**Rear**" (**Arrière**) pour activer la fonction de lavage arrière et ajuster la pression d'eau de lavage arrière.
- **P - Avant:** Appuyer sur l'icône "**Front**" (**Avant**) pour activer la fonction de lavage avant et ajuster la pression d'eau de lavage avant.
- **Q - Arrêt:** Appuyer sur l'icône "**Stop**" pour arrêter le lavage avant, le lavage arrière, et les fonctions de séchage.

## Configuration des préréglages utilisateur

**REMARQUE:** Les préréglages permettent à deux utilisateurs d'enregistrer leurs réglages des fonctions. Lorsque les options "**Preset 1**" (**Préréglage 1**) ou "**Preset 2**" (**Préréglage 2**) sont sélectionnées, les préférences enregistrées sont activées.

- Pendant que l'on est assis, ajuster les fonctions du siège selon les préférences.
- Appuyer sur l'icône "**Preset 1**" (**Préréglage 1**) ou "**Preset 2**" (**Préréglage 2**) pendant 3 secondes pour enregistrer les fonctions activées aux réglages actuels.
- Pour modifier un réglage, ajuster le lavage avant, le lavage arrière ou la fonction du séchoir pendant que le préréglage est en cours d'utilisation. Appuyer sur l'icône "**Preset 1**" (**Préréglage 1**) ou "**Preset 2**" (**Préréglage 2**) pendant 3 secondes pour stocker le nouveau réglage dans la mémoire.

## Utilisation des préréglages utilisateur

- Appuyer sur l'icône "**Preset 1**" (**Préréglage 1**) ou "**Preset 2**" (**Préréglage 2**) tout en étant assis pour activer le lavage avant, le lavage arrière, la température et la vitesse du séchoir, et la température du siège aux réglages stockés.
- Si l'on appuie sur l'icône "**Preset 1**" (**Préréglage 1**) ou "**Preset 2**" (**Préréglage 2**) alors que le siège n'est pas occupé, le siège change graduellement (environ 2 minutes) à la température préréglée.
- Pour réinitialiser ou supprimer un préréglage, appuyer sur les icônes "**Preset 1**" (**Préréglage 1**) ou "**Preset 2**" (**Préréglage 2**) et "**Stop**" simultanément et continuer à appuyer pendant trois secondes.

## Veilleuse



### Fonctionnement de la télécommande (cont.)

- Pour éteindre la veilleuse, appuyer sur l'icône **"Stop"** et continuer à appuyer pendant trois secondes.
- Pour désactiver la veilleuse, appuyer sur l'icône **"Front" (Avant)** et continuer à appuyer pendant trois secondes.

### Apparier une télécommande

- Une nouvelle télécommande doit être appariée avec le siège avant utilisation.
- Une seule télécommande peut être appariée avec le siège à la fois.
- Amener la nouvelle télécommande à proximité du siège.
- S'assurer que toutes les autres télécommandes ont été retirées de la zone du siège.
- Appuyer sur l'icône **"Dryer »(Séchoir)** et continuer à appuyer jusqu'à ce que l'icône clignote.
- Appuyer simultanément sur les icônes **"Front" (Avant)** et **"Rear" (Arrière)** et continuer à appuyer jusqu'à ce qu'un bip retentisse.
- Lorsque l'icône **"Dryer" (Séchoir)** de la télécommande s'arrête de clignoter et que les icônes **"Preset 1" (Préréglage 1)** et **"Preset 2" (Préréglage 2)** ne sont plus allumées, la télécommande a été appariée avec succès avec le siège.

### Entretien et nettoyage

Pour obtenir les meilleurs résultats possibles, prendre ce qui suit en considération lors de l'entretien de votre produit KOHLER:

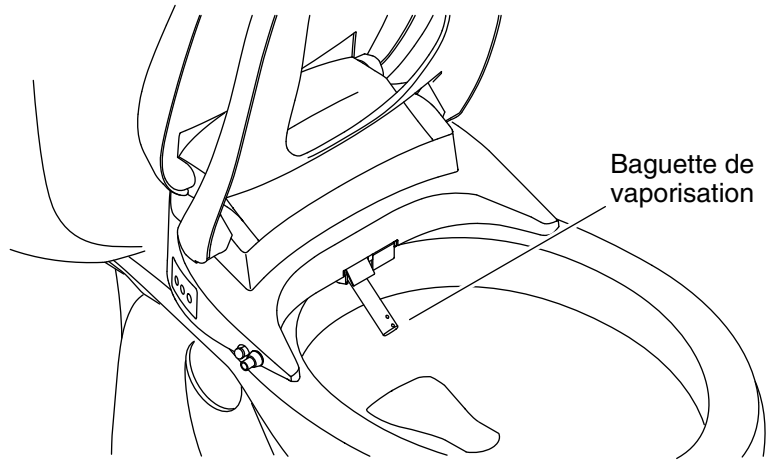
#### **IMPORTANT! Ne pas immerger le produit dans de l'eau.**

- Toujours tester la solution de nettoyage sur une surface non visible avant de l'appliquer sur l'ensemble de la surface.
- Utiliser une éponge ou un chiffon doux et légèrement mouillés pour essuyer les surfaces. Enlever le nettoyant rapidement après l'application. Rincer et sécher tout éclaboussement sur les surfaces avoisinantes.
- Ne pas laisser les nettoyeurs tremper sur les surfaces.
- Ne jamais utiliser de matériau abrasif tel qu'une brosse ou une éponge à récurer pour nettoyer les surfaces.

Pour obtenir des renseignements détaillés sur le nettoyage et les

**Entretien et nettoyage (cont.)**

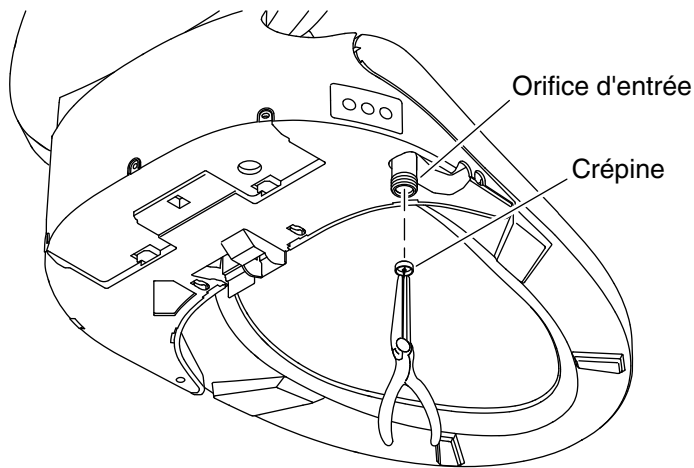
produits à considérer, consulter le site [kohler.com/clean](http://kohler.com/clean). Pour commander des renseignements sur le nettoyage, appeler le 1-800-456-4537.



### Nettoyage de la baguette

**REMARQUE:** La baguette de vaporisation peut seulement être prolongée pour le nettoyage lorsque le siège n'est pas activé ou occupé.

- Lever le couvercle et le siège.
- Appuyer sur l'icône "**Position**" sur le panneau pour prolonger la baguette vers l'avant pour le nettoyage.
- Nettoyer la baguette de vaporisation avec une brosse à poils doux et de l'eau chaude.
- Appuyer de nouveau sur l'icône "**Position**" pour rétracter la baguette.



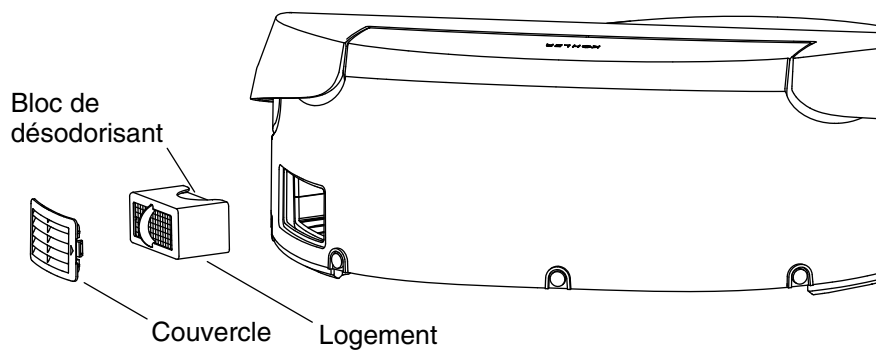
### Nettoyage de la crépine

**REMARQUE:** Nettoyer la crépine tous les 6 mois ou lorsqu'il y a une réduction dans le débit d'eau maximum en provenance de la baguette de vaporisation.

- Couper l'eau au niveau du robinet d'arrêt d'arrivée.
- Appuyer sur le bouton de dégagement pour libérer le siège du support de fixation. Se reporter à la section "Retrait du siège".
- Glisser le siège vers l'avant pour permettre d'accéder à l'orifice d'entrée du tuyau.
- Déconnecter le tuyau d'alimentation en eau du raccord du siège.
- À l'aide d'une pince à bec long, retirer la crépine de l'orifice d'entrée avec précaution.
- Nettoyer la crépine avec une brosse à poils doux.
- Réinstaller la crépine.

**ATTENTION: Risque d'endommagement du produit.** Ne pas fausser le filetage de la connexion tuyau à orifice d'entrée.

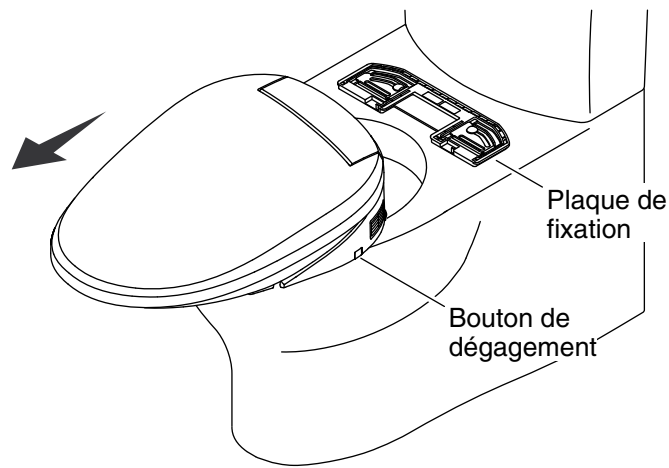
- Reconnecter le tuyau d'alimentation en eau à l'orifice d'entrée, d'un quart de tour au-delà du serrage à la main.
- Réinstaller le siège.
- Ouvrir l'alimentation en eau.
- Inspecter tous les raccords pour y rechercher des fuites éventuelles et effectuer tous les réglages au besoin.



### Remplacement du désodorisant

**REMARQUE:** Le désodorisant doit être remplacé tous les deux ans ou lorsque sa performance diminue.

- Retirer le couvercle.
- Retirer avec précaution le logement du désodorisant du siège.
- Retirer le bloc de désodorisant du logement.
- Insérer le bloc de désodorisant neuf dans le logement.
- Réinstaller le logement dans le siège.
- Réinstaller le couvercle.



## Retrait du siège

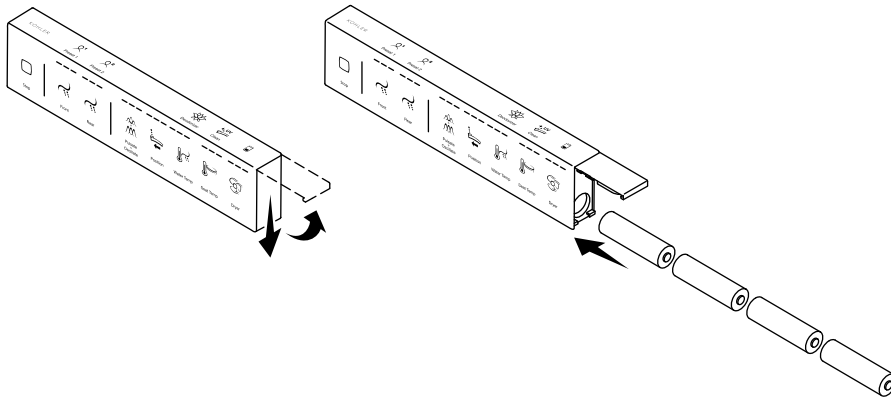
### Pour le nettoyage

**IMPORTANT!** Lors du retrait du siège pour un nettoyage, veiller à ne pas exercer de force sur les raccords du tuyau.

- Appuyer sur le bouton de dégagement.
- Glisser le siège vers l'avant pour accéder à la zone autour de la plaque de fixation. Éviter d'exercer une pression sur les tuyaux.
- Nettoyer la zone au besoin.
- Pour réinstaller, glisser le siège vers l'arrière jusqu'à ce qu'il engage la plaque de fixation.

### Pour l'entretien

- Couper l'eau au niveau du robinet d'arrêt d'arrivée.
- Passer la chasse pour relâcher toute pression du tuyau d'arrivée d'eau.
- Débrancher le cordon d'alimentation de la prise électrique.
- Déconnecter le tuyau d'arrivée d'eau de la vanne en T.
- Appuyer sur le bouton de dégagement.
- Glisser le siège vers l'avant pour le dégager de la plaque de fixation.
- Lorsque l'entretien est terminé, réinstaller le siège et reconnecter tous les composants.



### Entretien des piles

- Retirer la télécommande de la station d'accueil à distance.
- Ouvrir la porte du compartiment à piles.
- Retirer les piles.
- Installer les batteries de recharge, orientées comme sur l'illustration.
- Fermer la porte du compartiment à piles.
- Réinstaller la télécommande sur la station d'accueil à distance.

### Dépannage

Ce guide de dépannage est seulement destiné à fournir une aide d'ordre général. Un représentant du service agréé (ASR) de Kohler Co. ou un électricien qualifié doit rectifier tous les problèmes électriques.

Pour obtenir un service de garantie, appeler le Service après-vente en utilisant les numéros se trouvant sur la page arrière de ce manuel.

### Fonctions de nettoyage

Symptômes	Causes probables	Action recommandée
1. Les fonctions du siège ne fonctionnent pas.	A. Une erreur d'alimentation électrique s'est produite.	A. Attendre que l'alimentation électrique soit restaurée.

<b>Dépannage (cont.)</b>		
<b>Fonctions de nettoyage</b>		
<b>Symptômes</b>	<b>Causes probables</b>	<b>Action recommandée</b>
	<b>B.</b> Le cordon d'alimentation est débranché.	<b>B.</b> Brancher le cordon d'alimentation dans une prise électrique protégée par un dispositif GFCI ou RCD.
	<b>C.</b> Le disjoncteur de fuite de terre (GFCI) ou le dispositif à courant résiduel (RCD) a été déclenché.	<b>C.</b> Réinitialiser le GFCI ou le RCD.
	<b>D.</b> L'utilisateur n'est pas détecté par le capteur du siège.	<b>D1.</b> Les petits enfants pourraient être trop légers pour être détectés par le capteur. <b>D2.</b> Changer de position sur le siège. Le capteur se trouve sur l'avant du siège.
<b>2.</b> Le siège est desserré.	<b>A.</b> Les dispositifs d'attache de la plaque de fixation sont desserrés.	<b>A.</b> Serrer les dispositifs d'attache. Se référer au guide d'installation.
<b>3.</b> L'eau s'arrête de s'écouler de la baguette de vaporisation avant que le nettoyage soit terminé.	<b>A.</b> Le lavage s'arrête automatiquement 1 minute après un appui sur une icône de vaporisation.	<b>A.</b> Appuyer sur l'icône " <b>Front</b> " ( <b>Avant</b> ) ou " <b>Rear</b> " ( <b>Arrière</b> ) pour redémarrer le nettoyage.
	<b>B.</b> L'utilisateur a changé de position et n'est plus détecté par le capteur du siège.	<b>B.</b> Changer de position sur le siège. Le capteur se trouve sur l'avant du siège.



## Conformité de la télécommande

Le présent appareil est conforme aux CNR d'Industrie Canada applicables aux appareils radioexempts de licence. L'exploitation est autorisée aux deux conditions suivantes :

- (1) l'appareil ne doit pas produire de brouillage, et
- (2) l'utilisateur de l'appareil doit accepter tout brouillage radioélectrique subi, même si le brouillage est susceptible d'en compromettre le fonctionnement.

Conformément à la réglementation d'Industrie Canada, le présent émetteur radio peut fonctionner avec une antenne d'un type et d'un gain maximal (ou inférieur) approuvé pour l'émetteur par Industrie Canada. Dans le but de réduire les risques de brouillage radioélectrique à l'intention des autres utilisateurs, il faut choisir le type d'antenne et son gain de sorte que la puissance isotrope rayonnée équivalente (p.i.r.e.) ne dépasse pas l'intensité nécessaire à l'établissement d'une communication satisfaisante.

## Garantie

### **Garantie limitée de trois ans de la toilette intelligente et du siège nettoyant C3 de KOHLER**

Kohler Co. garantit ses toilettes dotées de la fonctionnalité de nettoyage intégrée ("Toilettes intelligentes") et les sièges de nettoyage électriques contre tout vice de matériau et de fabrication lors d'une utilisation domestique normale, pendant trois ans à partir de la date d'installation du produit. La présente garantie s'applique uniquement aux toilettes intelligentes et aux sièges de nettoyage électriques installés aux États-Unis d'Amérique, au Canada et au Mexique ("Amérique du Nord").

En cas de défectuosité lors d'une utilisation domestique normale, Kohler Co. choisira, à son gré, la réparation, le remplacement de la pièce ou du produit, ou la rectification appropriée, dans les cas où l'inspection de Kohler révélerait une telle défectuosité. Aucun dommage causé par un accident, une mauvaise utilisation ou un mauvais traitement n'est couvert par la présente garantie. Un entretien et un nettoyage inadéquats annulent la garantie\*. Une preuve d'achat (ticket de caisse d'origine) doit être présentée à Kohler Co. avec toutes les réclamations au titre de la garantie. Kohler Co. n'est pas responsable des frais de main-d'œuvre, d'installation ou de tout autre frais particulier accessoire ou indirect que ceux susmentionnés. La responsabilité de Kohler Co. ne dépassera en aucun cas le prix d'achat de la toilette intelligente ou du siège de nettoyage électrique.

Si les toilettes intelligentes ou les sièges de nettoyage électrique sont utilisés dans un commerce ou si ces articles sont installés hors de l'Amérique du Nord, Kohler Co. garantit la toilette intelligente ou le siège de nettoyage

## **Garantie (cont.)**

électrique contre tout vice de matériau et de fabrication pendant un (1) an à partir de la date d'installation dudit produit, et toutes les autres modalités de la présente garantie s'appliquent à l'exception de sa durée.

**Pour toute réclamation au titre de la présente garantie, contacter le vendeur, plombier, centre de rénovation ou revendeur par internet. Fournir tous les renseignements pertinents à la réclamation, dont notamment une description complète du problème et du produit, le numéro de modèle, la date et le lieu d'achat du produit, ainsi que la date de son installation.**

**Joindre également l'original de la facture. Pour de plus amples renseignements ou pour obtenir les coordonnées du service de réparation le plus proche, écrire à Kohler Co., Attn: Customer Care Center, Kohler, Wisconsin 53044, USA, ou appeler le 1-800-4-KOHLER (1-800-456-4537) à partir des É.-U. et du Canada, et le 001-800-456-4537 à partir du Mexique, ou consulter le site**

**www.kohler.com aux É.-U., www.ca.kohler.com à partir du Canada, ou www.mx.kohler.com au Mexique.**

**LES GARANTIES SUSMENTIONNÉES SONT FOURNIES AU LIEU ET PLACE DE TOUTES AUTRES GARANTIES, EXPRESSES OU TACITES, Y COMPRIS LES GARANTIES TACITES DE COMMERCIALITÉ ET D'ADAPTATION À UN USAGE PARTICULIER. KOHLER CO. ET/OU LE REVENDEUR DÉCLINENT TOUTE RESPONSABILITÉ CONTRE LES DOMMAGES PARTICULIERS, ACCESSOIRES OU INDIRECTS.**

Certains états et provinces ne permettent pas de limite sur la durée de la garantie tacite, ni l'exclusion ou la limite de tels dommages, et, par conséquent, lesdites limites et exclusions peuvent ne pas s'appliquer à votre cas. La présente garantie accorde au consommateur des droits juridiques particuliers. Vous pouvez également avoir d'autres droits qui varient d'un état ou d'une province à l'autre. La présente garantie est accordée uniquement à l'acquéreur d'origine et exclut tous dommages dus à une erreur d'installation, à un usage abusif ou à une mauvaise utilisation du produit, qu'ils soient effectués par un entrepreneur, une société de services ou le consommateur.

**Ceci constitue la garantie écrite exclusive de Kohler Co.**

\*Ne jamais utiliser de nettoyeurs contenant des agents abrasifs, de l'ammoniaque, de l'eau de Javel, des acides, des cires, de l'alcool, des dissolvants ou autres produits non recommandés pour l'acier inoxydable ou le plastique polypropylène. Ceci annulera la garantie.

# Guía del propietario

## Asiento de limpieza

### Advertencias importantes de seguridad

#### LEA TODAS LAS INSTRUCCIONES ANTES DE USAR

Al usar productos eléctricos, en especial cuando haya niños presentes, siempre cumpla las precauciones básicas de seguridad, como las siguientes:



**ADVERTENCIA: Riesgo de lesiones personales.** No retire la cubierta protectora de la lámpara de luz UV. Ver la luz UV directamente puede ocasionar daños a los ojos. Siempre asegúrese de que la lámpara esté apagada antes de abrir la cubierta protectora.



**PRECAUCIÓN: Riesgo de lesiones personales.** Solamente personal capacitado de servicio debe cambiar la lámpara de luz UV.

**¡IMPORTANTE! Riesgo de daños al producto.** No instale este producto en un lugar donde quede expuesto a humedad excesiva, donde pudiera formarse condensación en la superficie del producto. Al tomar un baño, asegúrese de que haya ventilación adecuada para evitar daños a los componentes electrónicos debidos a altos niveles de humedad.

**¡IMPORTANTE! Riesgo de daños al producto o a la propiedad.** Si se empuja o si se tira de la conexión de agua podrían ocasionarse fugas de agua.

**¡IMPORTANTE! Riesgo de daños al producto.** No aplique fuerza excesiva a las varillas de rociado.

**¡IMPORTANTE! Riesgo de daños al producto.** En áreas donde el agua pudiera congelarse en las tuberías, haga lo necesario para evitar que se congele. El agua que quede en el asiento durante el

### Advertencias importantes de seguridad (cont.)

almacenamiento en el invierno se podría congelar. Antes de volver a instalar o a usar la unidad, permita que llegue a la temperatura ambiente.

**¡IMPORTANTE! Riesgo de daños al producto.** No suministre corriente eléctrica a la unidad mientras no se haya completado la instalación de la plomería, ya que esto podría causar que el producto no funcionara bien.

**NOTA:** En climas cálidos los protectores térmicos podrían activarse durante el almacenamiento o el transporte, lo que causaría que la unidad no funcionara. Antes de instalar la unidad o ponerla en funcionamiento, deje que se enfríe hasta la temperatura ambiente.



#### **PELIGRO: Para reducir el riesgo de electrocución:**

- No coloque ni almacene este producto donde pudiera caer o ser jalado hacia dentro de una bañera o de un lavabo.
- No lo coloque ni lo deje caer en agua ni en ningún otro líquido.
- No trate de sacar del agua algún aparato que haya caído en ella. Desconéctelo de inmediato.



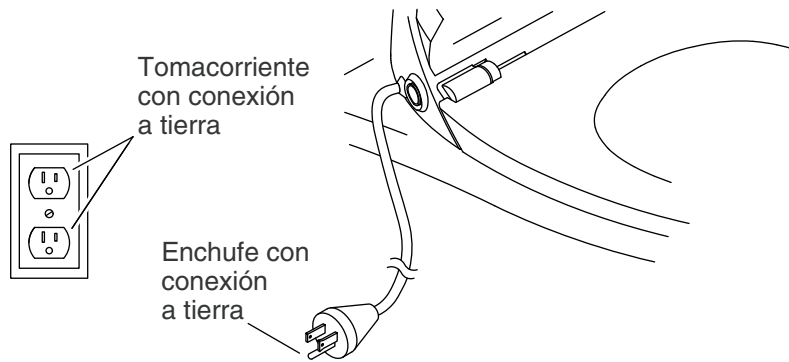
#### **ADVERTENCIA: Para reducir el riesgo de quemaduras, electrocución, incendio o lesiones personales:**

- Es necesario que haya supervisión cuando este producto esté siendo usado cerca de niños, ancianos o inválidos, o por ellos mismos. Ajuste la temperatura del asiento para los ancianos, los discapacitados o las personas con piel sensible.
- Use este producto únicamente con el fin para el que ha sido fabricado, tal como se describe en este manual. Solo use aditamentos que recomiende Kohler Co.
- No haga funcionar este producto si el enchufe o el cable están dañados, si el equipo no funciona adecuadamente, si se ha dejado caer, si ha sufrido daños, o si ha caído en agua. Devuelva el producto para que sea examinado y reparado.
- Mantenga el cable lejos de superficies calientes.
- Nunca bloquee las aberturas para aire del producto ni lo coloque sobre una superficie blanda, como una cama o un sillón, donde las aberturas para aire pudieran quedar bloqueadas. Evite pelusa, cabello y similares en las aberturas para aire.
- Nunca utilice mientras duerma o esté adormilado.

### **Advertencias importantes de seguridad (cont.)**

- No deje caer ni introduzca objetos en ninguna abertura o manguera.
- No utilice en exteriores ni en lugares en los que se empleen aerosoles o en los que se administre oxígeno.
- Conecte este producto solamente a un tomacorriente que esté conectado a tierra correctamente. Consulte la sección "Instrucciones de conexión a tierra".
- Este producto cumple las estipulaciones de US 21 CFR, Capítulo 1, Subcapítulo J, Salud Radiológica.

## **GUARDE ESTAS INSTRUCCIONES**



## Requisitos de cableado



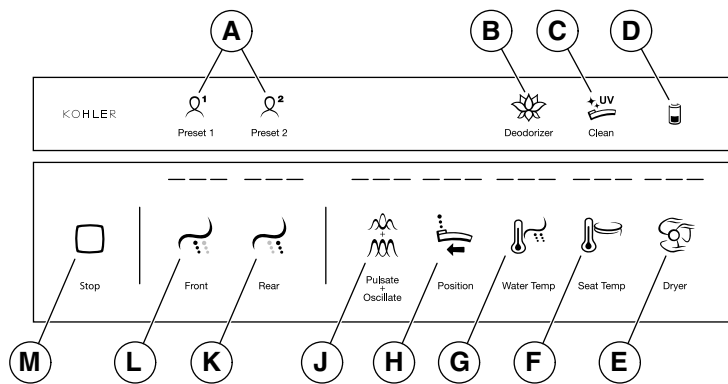
**ADVERTENCIA: Riesgo de sacudida eléctrica, incendio o lesiones personales.** Este producto debe tener conexión a tierra y conectarse solamente a un circuito dedicado nominal de 120 VCA, 60 Hz, protegido con un interruptor de circuito con pérdida a tierra (GFCI) o con un dispositivo de corriente residual (RCD) de 15 A como mínimo.

- Este producto se debe conectar a tierra. En caso de que haya un corto en el circuito eléctrico, la conexión a tierra reduce el riesgo de sacudida eléctrica ya que proporciona un alambre de escape para la corriente eléctrica. Este producto está equipado con un cable que tiene un alambre de conexión a tierra y un enchufe con conexión a tierra. El enchufe debe estar enchufado en un tomacorriente bien instalado y conectado a tierra.

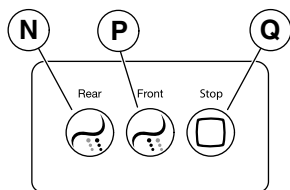


**PELIGRO: Riesgo de sacudidas eléctricas.** El uso incorrecto del enchufe con conexión a tierra puede ocasionar un riesgo de sacudida eléctrica.

- Si es necesario reparar o cambiar el cable o el enchufe, no conecte el alambre de conexión a tierra a ninguno de los terminales de hoja plana. El alambre con aislamiento con superficie exterior verde, con o sin rayas amarillas, es el alambre de conexión a tierra.
- Si tiene alguna duda de si el producto está bien conectado a tierra o si las instrucciones de conexión a tierra no están completamente claras, solicite la verificación de un electricista calificado o de personal de servicio.
- No utilice un cable de extensión con este producto.



### Control remoto



### Panel

## Funcionamiento del control remoto

**NOTA:** En el caso de funciones con configuraciones múltiples, oprima el icono para cambiar la configuración a un nivel más alto. Si la función se establece a su nivel más alto, al oprimir el icono la función se desactiva o se ajusta a un nivel más bajo.

**NOTA:** Asegúrese de instalar correctamente cuatro (4) pilas en el control remoto.

- **A - Preselección 1 y Preselección 2:** Las preselecciones permiten a dos usuarios guardar sus selecciones de las funciones. Cuando se selecciona alguno de los iconos de preselección "Preset 1" o "Preset 2", se activan las preferencias que han sido guardadas. Consulte las secciones "Preselecciones del usuario" a continuación.
- **B - Desodorizante:** Oprima el icono de desodorizante "Deodorizer" para activar el desodorizante. Oprima el icono de parar "Stop" para desactivarlo. Para inhabilitar esta función, oprima y sostenga oprimido el icono de desodorizante "Deodorizer" durante 3 segundos.

## Funcionamiento del control remoto (cont.)

- **C - Lavado:** Para activar el ciclo de desinfección UV de 45 minutos, oprima el icono de lavado "**Clean**". El proceso se cancela si se levanta la tapa del asiento. La desinfección UV automática se reactiva cada 24 horas. Para inhabilitar esta función, oprima y sostenga oprimido el icono de lavado "**Clean**" durante 3 segundos.
- **D - Indicador de carga:** Muestra el estado de carga de las pilas. Cuando las pilas tienen una carga entre el 100 % y el 50 %, el icono está apagado. Cuando las pilas tienen una carga entre el 49 % y el 20 %, el icono parpadea durante 4 segundos después de que se oprime el icono. Cuando las pilas tienen una carga de 19 % o menos, el icono brilla durante 4 segundos después de que se oprime el último icono.
- **E - Secador:** Oprima una vez el icono del secador "**Dryer**" para activar el secador. Oprímalo de nuevo para aumentar la temperatura del aire. Hay seis niveles de ajuste.
- **F - Temperatura del asiento:** Oprima el icono de temperatura del asiento "**Seat Temp**" para activar el asiento con calefacción. Oprímalo de nuevo para aumentar la temperatura. Hay cinco selecciones.
- **G - Temperatura del agua:** Oprima el icono de temperatura del agua "**Water Temp**" para ajustar la temperatura del rocío de agua. Hay cinco selecciones.
- **H - Posición:** Oprima el icono de posición "**Position**" para ajustar la posición de la varilla cuando está activo el lavado frontal o posterior. Hay cinco selecciones.
- **J - Pulsar + Oscilar:** Cuando el lavado frontal o posterior está activo, oprima una vez el icono de pulsar y oscilar "**Pulsate + Oscillate**" para que la varilla oscile hacia adelante y hacia atrás. Oprímalo de nuevo para que el flujo de agua pulse. Oprímalo por tercera vez para que oscile y pulse simultáneamente. Oprímalo otra vez para apagar la función.
- **K - Posterior:** Oprima el icono de lavado posterior "**Rear**" para activar la función de lavado posterior y ajustar la presión del agua de lavado posterior.
- **L - Frontal:** Oprima el icono de lavado frontal "**Front**" para activar la función de lavado frontal y ajustar la presión del agua de lavado frontal.
- **M - Parar:** Oprima el icono de parar "**Stop**" para detener las funciones de lavado frontal, lavado posterior y secado.



## Funcionamiento del control remoto (cont.)

- **N - Posterior:** Oprima el icono de lavado posterior **"Rear"** para activar la función de lavado posterior y ajustar la presión del agua de lavado posterior.
- **P - Front - Frontal:** Oprima el icono de lavado frontal **"Front"** para activar la función de lavado frontal y ajustar la presión del agua de lavado frontal.
- **Q - Stop - Parar:** Oprima el icono de parar **"Stop"** para detener las funciones de lavado frontal, lavado posterior y secado.

## Cómo configurar las preselecciones del usuario

**NOTA:** Las preselecciones permiten a dos usuarios guardar sus selecciones de las funciones. Cuando se selecciona alguno de los iconos de preselección **"Preset 1"** o **"Preset 2"**, se activan las preferencias guardadas.

- Al estar sentado, ajuste las funciones del asiento a sus preferencias.
- Oprima y sostenga oprimido el símbolo **"Preset 1"** o **"Preset 2"** durante 3 segundos para guardar los ajustes actuales de las funciones activadas.
- Para cambiar una configuración, ajuste la característica de lavado frontal, lavado posterior, o secado mientras la preselección esté en uso. Oprima y sostenga oprimido el símbolo **"Preset 1"** o **"Preset 2"** durante 3 segundos para almacenar el nuevo valor seleccionado a la memoria.

## Uso de preselecciones del usuario

- Oprima el icono **"Preset 1"** o **"Preset 2"** al estar sentado en el inodoro para activar el lavado frontal, el lavado posterior, la temperatura y la velocidad del secador, y la temperatura del asiento a sus valores almacenados.
- Si se oprime el símbolo **"Preset 1"** o **"Preset 2"** cuando el inodoro no está ocupado, el asiento cambia gradualmente (aproximadamente en 2 minutos) a la temperatura preseleccionada.
- Para restablecer o borrar un valor preseleccionado, oprima y sostenga oprimidos los iconos **"Preset 1"** o **"Preset 2"** y **"Stop"** al mismo tiempo durante 3 segundos.

## Luz nocturna

### Funcionamiento del control remoto (cont.)

- ❑ Para apagar la luz nocturna, oprima y sostenga oprimido el icono de parar **"Stop"** durante 3 segundos.
- ❑ Para inhabilitar la luz nocturna, oprima y sostenga oprimido el icono **"Front"** durante 3 segundos.

### Apareamiento de un control remoto

- ❑ Antes de usar un nuevo control remoto es necesario aparearlo al asiento.
- ❑ Se puede aparear solamente un control remoto al asiento a la vez.
- ❑ Acerque el nuevo control remoto al asiento.
- ❑ Asegúrese de que retirar el resto de los controles remotos del área cercana al asiento.
- ❑ Oprima y sostenga oprimido el icono del secador **"Dryer"** hasta que el icono comience a centellear.
- ❑ Simultáneamente oprima y sostenga oprimidos los iconos **"Front"** y **"Rear"** en el asiento hasta que escuche un sonido de bip.
- ❑ Cuando el icono de secador **"Dryer"** en el control remoto deje de centellear y los iconos **"Preset 1"** y **"Preset 2"** ya no estén iluminados, el control remoto ha sido apareado con éxito al asiento.

### Cuidado y limpieza

Para obtener los mejores resultados, tenga presente lo siguiente al limpiar su producto KOHLER:

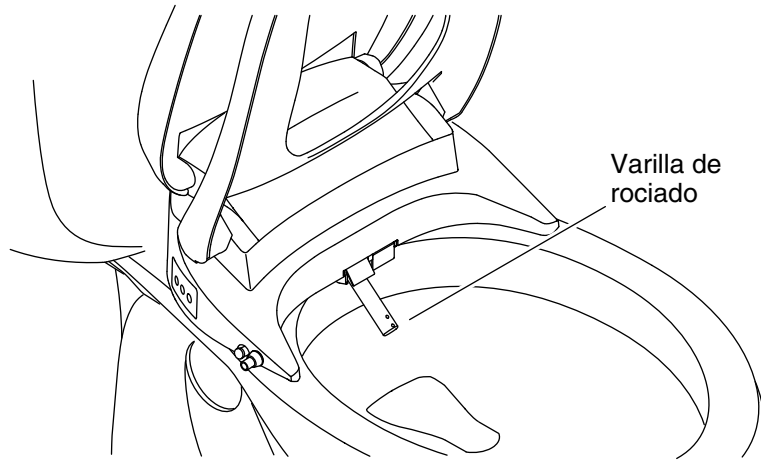
**¡IMPORTANTE! No sumerja el producto en agua.**

- Siempre pruebe la solución de limpieza en un área oculta antes de aplicarla a toda la superficie.
- Limpie bien con una esponja o con un trapo suave y húmedo. Retire el limpiador rápidamente después de aplicarlo. Enjuague y seque las superficies cercanas donde hayan caído salpicaduras.
- No deje mucho tiempo los limpiadores en las superficies.
- Para limpiar las superficies nunca utilice materiales abrasivos, como cepillos o estropajos.

Para obtener información detallada de limpieza y de productos a considerar, visite [kohler.com/clean](http://kohler.com/clean). Para solicitar información sobre

**Cuidado y limpieza (cont.)**

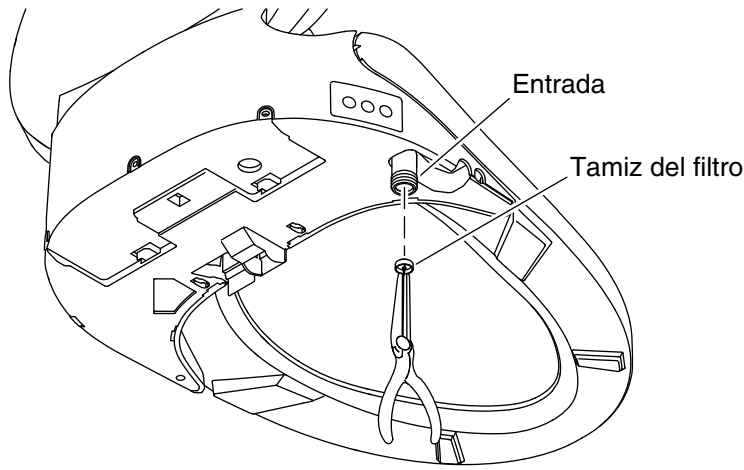
cuidado y limpieza, llame al 1-800-456-4537.



### Limpieza de la varilla

**NOTA:** La varilla de rociado solo se puede extender para limpiarla cuando el asiento no está activado u ocupado.

- Levante la tapa y el asiento.
- Oprima el icono de posición "**Position**" en el panel para extender la varilla hacia adelante para limpiarla.
- Limpie la varilla de rociado con un cepillo de cerdas suaves y agua caliente.
- Oprima de nuevo el icono de posición "**Position**" para retraer la varilla.



## Limpieza de la pantalla

**NOTA:** Limpie el tamiz de filtro cada 6 meses o en cualquier momento en que baje el flujo de agua máximo de la varilla de rociado.

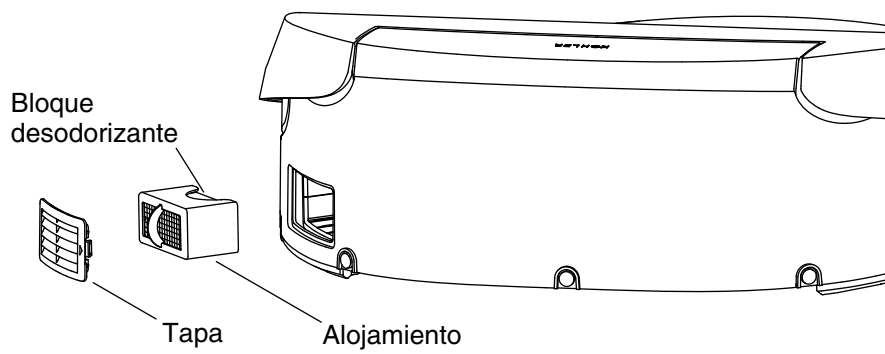
- Cierre el agua en la llave de paso de suministro.
- Oprima el botón de desenganche para soltar el asiento del soporte de montaje. Consulte la sección "Desmontaje del asiento".
- Deslice el asiento hacia adelante para dejar acceso libre a la línea de entrada de la manguera.
- Desconecte la manguera de suministro de agua de la conexión al asiento.
- Con pinzas de punta larga retire con cuidado el tamiz de filtro de la línea de entrada.
- Limpie el tamiz de filtro con un cepillo de cerdas suaves.
- Vuelva a instalar el tamiz de filtro.

**PRECAUCIÓN: Riesgo de daños al producto.** No trasrosque la conexión de la manguera a la línea de entrada.

- Vuelva a conectar la manguera de suministro de agua a la línea de entrada 1/4 de vuelta adicional después de apretar a mano.
- Vuelva a instalar el asiento.
- Abra el suministro de agua.

### **Limpieza de la pantalla (cont.)**

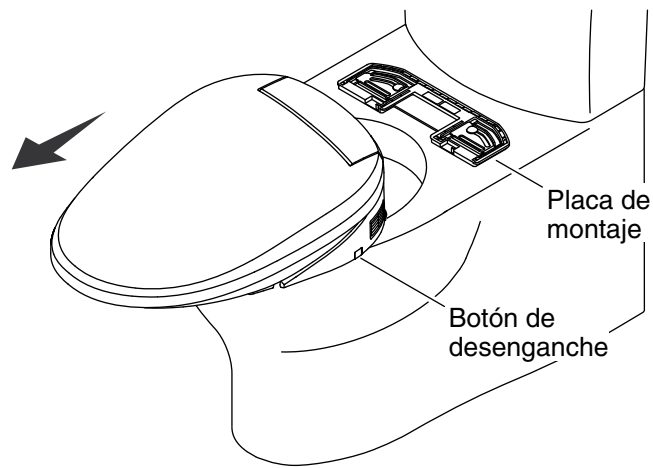
- Revise todas las conexiones para asegurarse de que no haya fugas, y haga los ajustes necesarios.



### **Cambio del desodorizante**

**NOTA:** El desodorizante debe ser reemplazado cada 2 años o cuando disminuye el efecto del desodorizante.

- Retire la tapa.
- Con cuidado retire el alojamiento del desodorizante del asiento.
- Retire el bloque desodorizante de su alojamiento.
- Instale el nuevo bloque desodorizante en el alojamiento.
- Vuelva a instalar el alojamiento en el asiento.
- Vuelva a instalar la cubierta.



## Desmontaje del asiento

### para limpiarlo

**¡IMPORTANTE!** Al desmontar el asiento para limpiarlo, tenga cuidado para evitar ejercer fuerza en las conexiones de la manguera.

- Oprima el botón de desenganche.
- Deslice el asiento hacia adelante para obtener acceso al área alrededor de la placa de montaje. Evite ejercer presión en las mangueras.
- Limpie el área lo que sea necesario.
- Para volver a instalar el asiento, deslícelo hacia atrás hasta que se enganche en la placa de montaje.

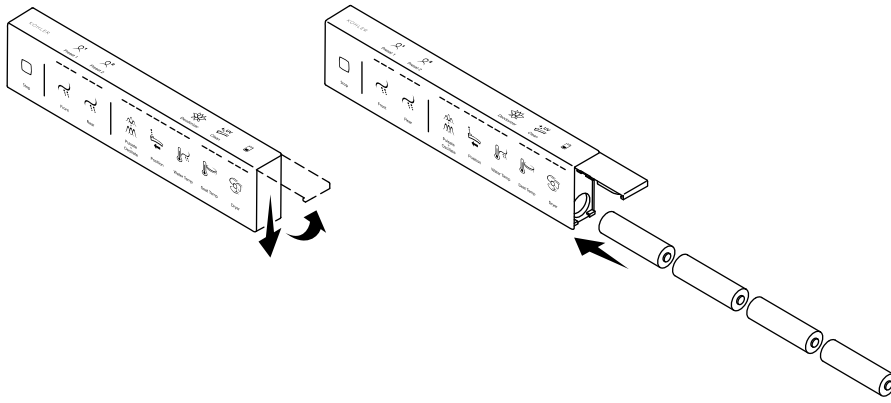
### para darle servicio

- Cierre el agua en la llave de paso de suministro.
- Accione la descarga del inodoro para eliminar la presión que pueda haber en la manguera de suministro.
- Desconecte el cable de suministro eléctrico del tomacorriente.
- Desconecte la manguera de suministro de agua de la válvula en T.
- Oprima el botón de desenganche.
- Deslice el asiento hacia adelante para soltarlo de la placa de montaje.



**Desmontaje del asiento (cont.)**

- Cuando termine de darle servicio, vuelva a instalarlo y a conectar todos los componentes.



### Servicio a las pilas

- Retire el control remoto de la estación remota.
- Abra la puerta al compartimiento de pilas.
- Saque las pilas.
- Instale las pilas de repuesto, orientadas como se indica.
- Cierre la puerta al compartimiento de pilas.
- Vuelva a instalar el control remoto en la estación remota.

### Resolución de problemas

Esta guía de resolución de problemas está diseñada únicamente como ayuda general. Todos los problemas eléctricos deben ser resueltos por un representante de servicio autorizado (ASR) de Kohler Co. o un electricista calificado.

Para obtener servicio bajo garantía, comuníquese con el Centro de Atención al Cliente mediante los números en la página posterior de este manual.

#### Funciones de lavado

Síntomas	Causas probables	Acción recomendada
1. Las funciones del asiento no funcionan.	A. Se ha perdido el suministro eléctrico.	A. Espere a que vuelva el suministro eléctrico.

## Resolución de problemas (cont.)

Funciones de lavado		
Síntomas	Causas probables	Acción recomendada
	<b>B.</b> El cable de suministro eléctrico está desconectado.	<b>B.</b> Enchufe el cable de suministro eléctrico al tomacorriente protegido por un GFCI o un RCD.
	<b>C.</b> Es posible que se haya disparado el interruptor de circuito con pérdida a tierra (GFCI) o el dispositivo de corriente residual (RCD).	<b>C.</b> Restablezca el GFCI o el RCD.
	<b>D.</b> El sensor del asiento no detecta al usuario.	<b>D1.</b> Es posible que los niños pequeños no pesen lo suficiente para ser detectados por el sensor. <b>D2.</b> Cambie su posición en el asiento. El sensor está ubicado en la parte delantera del asiento.
<b>2.</b> El asiento está suelto.	<b>A.</b> Los sujetadores de la placa de montaje están sueltos.	<b>A.</b> Apriete los sujetadores. Consulte la guía de instalación.
<b>3.</b> El agua deja de fluir de la varilla de rociado antes de que termine el proceso de lavado.	<b>A.</b> El lavado se detiene automáticamente 1 minuto después de oprimir un icono de rocío.	<b>A.</b> Oprima el icono "Front" o "Rear" para reiniciar la limpieza.
	<b>B.</b> El usuario cambió de posición y ya no lo detecta el sensor del asiento.	<b>B.</b> Cambie su posición en el asiento. El sensor está ubicado en la parte delantera del asiento.

## Garantía

### **Garantía limitada de tres años del asiento de limpieza C3 y del inodoro inteligente KOHLER**

Kohler Co. garantiza sus inodoros con funcionalidad integrada de lavado ("inodoros inteligentes") y sus asientos de limpieza contra defectos de material y mano de obra durante el uso normal residencial, durante tres años a partir de la fecha de instalación del producto. Esta garantía se aplica solamente a inodoros inteligentes y asientos de limpieza instalados en Estados Unidos de América, Canadá y México ("Norteamérica").

Si se encuentra un defecto durante el uso residencial normal, Kohler Co., a su criterio, reparará, proveerá una pieza de repuesto o un producto, o realizará los ajustes pertinentes en los casos en que la inspección realizada por Kohler Co. determine dicho defecto. Esta garantía no cubre daños causados por accidente, abuso o uso indebido. El cuidado y la limpieza indebidos anulan la garantía\*. Al presentar las reclamaciones de garantía a Kohler Co. es necesario incluir el comprobante de compra (recibo de venta original). Kohler Co. no se hace responsable de costos de mano de obra, instalación u otros costos incidentales o indirectos, aparte de los mencionados arriba. En ningún caso deberá la responsabilidad de Kohler Co. exceder el precio de compra del inodoro inteligente o del asiento de limpieza eléctrico.

Si los inodoros inteligentes o los asientos de limpieza eléctricos se utilizan comercialmente o si se instalan fuera del territorio de Norteamérica, Kohler Co. garantiza que el inodoro inteligente y que el asiento de limpieza eléctrico estarán libres de defectos de material y de mano de obra durante un (1) año a partir de la fecha de instalación del producto, quedando en efecto el resto de las condiciones de esta garantía a excepción de la duración.

Si usted considera que tiene una reclamación en virtud de la garantía, comuníquese con su centro de remodelación, distribuidor, contratista de plomería o distribuidor por Internet. Asegúrese de proporcionar toda la información pertinente a su reclamación, incluida una descripción completa del problema, el producto, el número de modelo, la fecha de compra del producto, el lugar de compra del producto, y la fecha de instalación. También incluya el recibo original. Para obtener información adicional, o para el nombre y la dirección del lugar de reparación y servicio más cercano a usted, escriba a Kohler Co., Atención: Customer Care Center, Kohler, Wisconsin 53044 USA, o llame al 1-800-4-KOHLER (1-800-456-4537) desde los EE.UU. y Canadá, y al 001-800-456-4537 desde México, o visite [www.kohler.com](http://www.kohler.com) desde los EE.UU., [www.ca.kohler.com](http://www.ca.kohler.com) desde Canadá, o [www.mx.kohler.com](http://www.mx.kohler.com) en México.

### **LAS GARANTÍAS ANTERIORMENTE MENCIONADAS**

## **Garantía (cont.)**

**SUSTITUYEN A TODAS LAS DEMÁS GARANTÍAS, EXPRESAS O IMPLÍCITAS, INCLUIDAS, ENTRE OTRAS, LAS GARANTÍAS IMPLÍCITAS DE COMERCIALIZACIÓN E IDONEIDAD PARA UN USO DETERMINADO. KOHLER CO. Y/O EL VENDEDOR DESCARGAN TODA RESPONSABILIDAD POR CONCEPTO DE DAÑOS PARTICULARES, INCIDENTALES O INDIRECTOS.**

Algunos estados/algunas provincias no permiten limitaciones en cuanto a la duración de una garantía implícita o a la exclusión o limitación de dichos daños, por lo que es posible que estas limitaciones y exclusiones no se apliquen a su caso. Esta garantía otorga al consumidor ciertos derechos legales específicos. Además, usted puede tener otros derechos que varían de estado a estado y de provincia a provincia. Esta garantía está destinada únicamente para el comprador consumidor original y excluye todo daño al producto como resultado de errores de instalación, abuso del producto o uso indebido del mismo, bien sea por parte de un contratista, de una compañía de servicios o del consumidor mismo.

**Esta es la garantía exclusiva por escrito de Kohler Co.**

\*Nunca utilice limpiadores que contengan abrasivos, amoníaco, blanqueador, ácidos, ceras, alcohol, disolventes u otros productos no recomendados para acero inoxidable o para plástico de polipropileno. Esto anula la garantía.

1341257-5-A

1341257-5-A

1341257-5-A



USA/Canada: 1-800-4KOHLER

México: 001-800-456-4537

[kohler.com](http://kohler.com)

THE BOLD LOOK  
OF **KOHLER**®

©2017 Kohler Co.

1341257-5-A